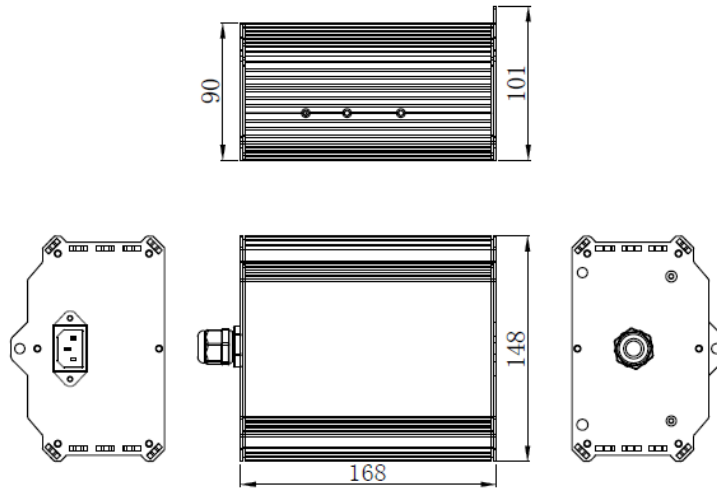


Dimension chart


**1. Dimensions**

Item	Item Description	Parameter
1.1	Ballast length ( L ) [mm]	168 ± 2
1.2	Ballast width ( W ) [mm]	148 ± 2
1.3	Ballast height ( H ) [mm]	90 ± 2

**2. Starting description**

2.1	Minimum starting voltage [V]	108 Vac
2.2	Starting time [S]	5 Max
2.3	Pulse voltage [KV]	4-6kv

**3. Lamp electrical parameter**

3.1	Lamp type	CMH 315W
3.2	Lamp voltage [V]	120
3.3	Lamp current [A]	2.6/3.5
3.4	Lamp wattage [W]	315

**4 Input parameter**

4.1	Input voltage [ V ]	120 Vac	220 Vac	240Vac
4.2	Input current [A]	2.96 (100%)	1.55 (100%)	1.42(100%)
4.3	Input wattage [W]	355(100%)	340(100%)	340(100%)
4.4	Frequency [HZ]	50/60		
4.5	Input power factor [ cosΦ ]	≥0.98		
4.6	THD /	≤10		
4.7	Plug interface model(Input end)	DB-14		

**5. Output parameter**

5.1	Rated frequency [Hz]	110
5.2	Open Circuit Voltage [V]	≤ 400
5.3	Wave crest ratio [Ω]	≤ 1.7
5.4	Efficiency [ cosΦ ]	≥ 92%
5.5	Wire (output end)	White/Black/Yellow-Green

6. Others			
6.1	Outer case temperature	[°C]	75 Max.
6.2	Average lifetime	[H]	30000
6.3	IP rating	/	IP54
6.4	Ambient temperature	[°C]	-25-50
6.6	Outer case color		White
6.7	Weight		1.2kgs
6.8	Package		8pcs/cn

Notice	Protection Functions
<ol style="list-style-type: none"> <li>1. If the lamp cannot light up, the ballast will stop working automatically after 30 minutes.</li> <li>2. If the ballast stops working due to the triggering of the thermal protection, restart the ballast after waiting for 1 minute.</li> <li>3. Switch off the ballast's power supply before Replacing the lamp.</li> <li>4. Restart the ballast after waiting for more than 1Minute.</li> </ol>	<ol style="list-style-type: none"> <li>1. Short circuit protection</li> <li>2. Open circuit protection</li> <li>3. Lamp start failure protection</li> <li>4. End of lamp life protection</li> </ol>

### Actual photos

