

MANUFACTURED IN AMERICA

FIRE & EMS

PROFESSIONAL WARNING
AND LIGHTING

A comprehensive guide to Whelen's
lighting and warning products



WHELEN ENGINEERING COMPANY, INC.



WHELEN[®]
MANUFACTURED IN AMERICA

TABLE OF CONTENTS

- Lightbars.....4
- Mini Lightbars23
- Traffic Advisor™26
- Beacons28
- Dash & Deck32
- Lighthead.....35
- White Illumination.....56
- Control & Flashers72
- Lighting Certifications.....82
- Product Index.....83



Visit us at whelen.com
To learn about our full line of emergency lighting and warning products.



To download WeCad™, Whelen Command®, and Pioneer™ Designer go to whelen.com/software-downloads

@WhelenENG



ABOUT WHELEN



Whelen Engineering designs and manufactures reliable and powerful warning lights, white illumination lighting, sirens, controllers, and high-powered warning systems for Automotive and Mass Notification industries worldwide. Whelen products have been proudly designed and manufactured in America since 1952. With quality as the foundation, Whelen celebrates innovative engineering with every product made.

Manufactured in America for Over 70 Years
We never left and we're here to stay.



Chester, Connecticut facility



Charlestown, New Hampshire facility

ICON LEGEND



TECH GLOSSARY

BroadBand Blue™
BroadBand Blue delivers a higher intensity, creates a larger optical image, and produces a more consistent color, all while being easier on the eyes - especially at night.

Conformal Coating
A thin material that conforms to the contours of the PCB to protect the electronic components from harsh environments and impact.

DUO™
Two-color interleaved LEDs

DUO+™
Two-color interleaved with independent control of color one and color two

DVI™
DVI patterns gradually increase and decrease warning light intensity, which better conveys visual information to approaching motorists at night. These patterns clearly indicate when a vehicle is parked and improves a driver's ability to safely navigate around a work zone.

DYAD™
Two-level technology

Encapsulated
Lighthead are fully encapsulated for moisture and vibration resistance.

Hard-Coat
Whelen's industry-first innovative Hard-Coating process counteracts the effects of environmental and chemical damages to our lenses and domes.

Linear-LED® - (Super-LED®)
Whelen's optimized use of the latest generation of LEDs and unique reflector optics to produce highly intense light that has superior wide-angle visibility and rivals strobe in performance.

Low Current
Low current function wires require less than 0.25 amp to operate, allowing for simple operation of each lightbar function.

ProFocus™
Whelen's innovative single optic LED technology that can be customized and programmed as a spotlight or floodlight, with no moving parts.

Proclera® Silicone Optics
Whelen's innovative and efficient solution to distorted optical shape and fringe lighting. Proclera Optics feature 100% internal silicone optic technology, an increased ability to harness LED output and better direct and focus light, and a fully-filled square TIR optic to increase optic efficiency compared to a conventional circular TIR.

Rota-Beam™
Solid-state "rotating" technology, simulating the appearance of a rotating beacon without any moving parts or motors for long-life reliability.

Scan-Lock™
Whelen's advanced method of changing a products flash pattern. Scan-Lock utilizes an external wire to allow the user to cycle through the entire range of flash patterns, allowing for full customization.

Scan-Lock™+
The Scan-Lock+ app is the simplest way to change Whelen flash patterns. Designed for optimal convenience, Scan-Lock+ features an easy to use interface and utilizes a Bluetooth connection. Download the Scan-Lock+ app and browse, test, and assign Whelen flash patterns right from your phone.

SmartLED®
Whelen's distinctive use of self-contained electronics to power and flash a particular LED product. These products require no external flasher, ballast, or power supply to operate.

SOLO™
Single-color LEDs

Split
Two-color lighthead where each color fills half of the reflector

Standard Current
Lightbar functions are wired directly to the switching device and require switches that are matched to the current draw of the desired functions to be activated.

Steady-Lock™
A new feature in warning lighthead that allows an installer to set the flash pattern to Steady automatically, when used with one of Whelen's CenCom Core® control systems.

Super-LED®
Whelen's innovative LED technology

Sync
Sync provides the ability to connect multiple Whelen devices to flash together or in alternating patterns. Products with this capability allow the user to create coordinating flashing schemes.

TIR - (Total Internal Reflection)
Whelen's optimized use of the latest generation of LEDs and unique reflector optics to produce highly intense light that can be directional in nature.

TRIO™
Three-color interleaved with independent control of color one, color two, and color three

WeCad™
Engineered for optimal accessibility, WeCad lightbar designer delivers the ability to design custom Whelen lightbars with every available option. Adding R65 compliant options is simple, and a bill of materials will be generated to make ordering fast and easy.

WeCan®
Whelen's proprietary CAN-based communication system

WeCanX®
Whelen's smartest and most powerful CAN-based communication system. WeCanX provides true system synchronization, greater speed capabilities, expanded peripheral add-ons, and full support of diagnostics.

LIGHTBARS



Freedom® IV Rota-Beam™ Series

5YR 12 NFPA 1901 SAE CLASS 1 HARD COAT SCAN LOCK ROTA-BEAM ISOLO DUO

 Download WeCad™ for models and options



FEATURES

- SAE Class 1 Certified
- Extruded aluminum platform for long-life dependability
- Clear outer domes with Clear dividers
- Hard-coated lenses resist environmental damage from sand, sun, salt, and road chemicals
- 100% solid-state electronics
- 16' exit cable (25' exit cable for 72" length bars)
- Rotating Super-LED® Technology
- Single-color corner modules available in Red or White

Models	Length	Description
F4R2****	55"	4 Red or White Single-Color Modules
F4R0****	60"	4 Red or White Single-Color Modules
F4R7****	72"	4 Red or White Single-Color Modules

Replace * symbol in model number with letter indicating color desired: R=Red, C=White



OPTIONS

Consult current price list for full list of available options at whelen.com/literature



6-LED Take-Down



Long Lighthouse



Short Lighthouse



6-LED Alley Light

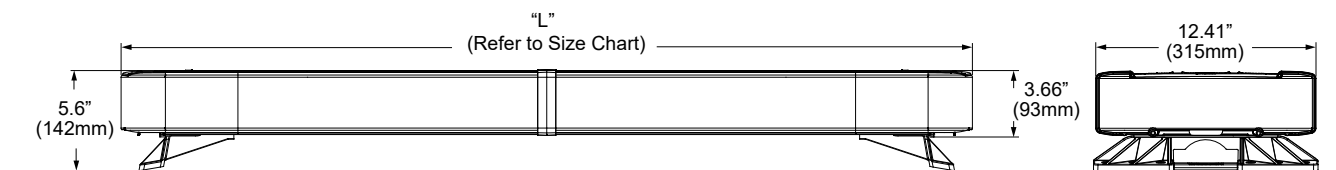


Filter



Rota-Beam Module

DIMENSIONS



"L" Size Chart

55" (140cm)	60" (152cm)	72" (183cm)
----------------	----------------	----------------

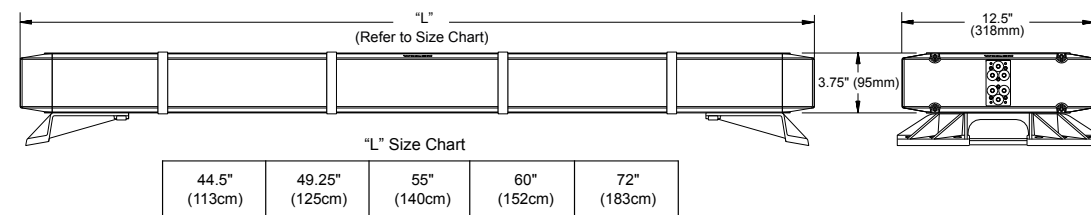
Freedom® IV DUO™ & DYAD™ Series



FEATURES

- WeCanX® models available
- SAE Class 1 Certified
- Extruded aluminum platform for long-life dependability
- Clear outer domes with Clear dividers
- Hard-coated lenses resist environmental damage from sand, sun, salt, and road chemicals
- 100% solid-state electronics
- 16' exit cable (25' exit cable for 72" length bars)
- Dynamic Variable Intensity™ (DVI™) light patterns
- WeCan® DYAD two-level technology (single or two-color) allows for individual control of each level of each lighthouse
- WeCan DUO™ technology (two-color) allows for individual control of each color and each lighthouse, while providing a large aspect ratio of warning and illumination
- Linear Super-LED® optics

DIMENSIONS



NFPA Freedom IV Lightbars



FEATURES

- Freedom® IV platform now available
- Designed exclusively for the rigorous standards of the Fire/EMS market
- For complete details and models, see the current NFPA 1901 Specifications Handbook
- Dynamic Variable Intensity (DVI™) light patterns
- Hard-coated lenses resist environmental damage from sand, sun, salt, and road chemicals
- Meets zone "A" upper requirements of NFPA 1901 specifications

Models	Length	Description
F4X4****	44.5"	Low Current, 4 Red, Blue, Amber and/or White, Single-Color Modules
F4X8****	49"	Low Current, 4 Red, Blue, Amber and/or White, Single-Color Modules
F4X2****	55"	Low Current, 4 Red, Blue, Amber and/or White, Single-Color Modules
F4X0****	60"	Low Current, 4 Red, Blue, Amber and/or White, Single-Color Modules
F4X7****	72"	Low Current, 4 Red, Blue, Amber and/or White, Single-Color Modules
F4W4****	44.5"	WeCan®, 4 Red, Blue, Amber and/or White, Single or Two-Color Over/Under Modules
F4W8****	49"	WeCan®, 4 Red, Blue, Amber and/or White, Single or Two-Color Over/Under Modules
F4W2****	55"	WeCan®, 4 Red, Blue, Amber and/or White, Single or Two-Color Over/Under Modules
F4W0****	60"	WeCan®, 4 Red, Blue, Amber and/or White, Single or Two-Color Over/Under Modules
F4W7****	72"	WeCan®, 4 Red, Blue, Amber and/or White, Single or Two-Color Over/Under Modules
K4W4****	44.5"	WeCanX®, 4 Red, Blue, Amber and/or White, Single or Two-Color Over/Under Modules
K4W8****	49"	WeCanX®, 4 Red, Blue, Amber and/or White, Single or Two-Color Over/Under Modules
K4W2****	55"	WeCanX®, 4 Red, Blue, Amber and/or White, Single or Two-Color Over/Under Modules
K4W0****	60"	WeCanX®, 4 Red, Blue, Amber and/or White, Single or Two-Color Over/Under Modules
K4W7****	72"	WeCanX®, 4 Red, Blue, Amber and/or White, Single or Two-Color Over/Under Modules
K424####	44.5"	WeCanX, 4 Blue/White or Red/White DUO™ Modules
K428####	49"	WeCanX, 4 Blue/White or Red/White DUO Modules
K422####	55"	WeCanX, 4 Blue/White or Red/White DUO Modules
K420####	60"	WeCanX, 4 Blue/White or Red/White DUO Modules
K427####	72"	WeCanX, 4 Blue/White or Red/White DUO Modules
F424####	44.5"	4 Blue/White or Red/White DUO Modules
F428####	49"	4 Blue/White or Red/White DUO Modules
F422####	55"	4 Blue/White or Red/White DUO Modules
F420####	60"	4 Blue/White or Red/White DUO Modules
F427####	72"	4 Blue/White or Red/White DUO Modules
F42DL#	24"	One DUO Long 24 Super-LED DUO Lighthouse, Red/White or Blue /White
F42DS#	12"	One DUO Short 12 Super-LED DUO Lighthouse, Red/White or Blue /White
F42WA#	12"	One DUO Short 12 Super-LED DUO Alley/Warning Light, Red/White or Blue/White



Replace * symbol in model number with letter indicating color desired: A=Amber, B=Blue, R=Red, C=White
 Replace # in model number with interleaved color desired: D=Red/White, E=Blue/White

OPTIONS

Consult current price list for full list of available options at whelen.com/literature



6-LED Take-Down



Long Lighthouse



Short Lighthouse



6-LED Alley Light



Filter



Rota-Beam™ Module

NFPA MODELS

Models	Length	Description
F4N2VLED	55" (140cm)	Freedom® IV LC Series, Four Red Corners and Four Front (2 Red/2 White) with Angled Ends
F4N0VLED	60" (152cm)	Freedom IV LC Series, Four Red Corners and Four Front (2 Red/2 White) with Angled Ends
F4N7VLED	72" (183cm)	Freedom IV LC Series, Four Red Corners and Four Front (2 Red/2 White) with Angled Ends
F4N2QLED	55" (140cm)	Freedom IV LC Series, Two Red Front Corners, Two Red Side-Facing and Four Front (2 Red/2 White)
F4N0QLED	60" (152cm)	Freedom IV LC Series, Two Red Front Corners, Two Red Side-Facing and Four Front (2 Red/2 White)
F4N7QLED	72" (183cm)	Freedom IV LC Series, Two Red Front Corners, Two Red Side-Facing and Four Front (2 Red/2 White)
F4N1QLED	81" (205cm)	Freedom IV LC Series, Two Red Front Corners, Two Red Side-Facing and Four Front (2 Red/2 White)
F4N1VLED		Freedom IV LC Series, Four Red Corners and Four Front (2 Red/2 White) with Angled Ends
F4N9QLED	92" (243cm)	Freedom IV LC Series, Two Red Front Corners, Two Red Side-Facing and Four Front (2 Red/2 White)
F4N9VLED		Freedom IV LC Series, Four Red Corners and Four Front (2 Red/2 White) with Angled Ends



WARNING: This product may contain chemicals known to the State of California to cause cancer and birth defects or other reproductive harm. For more information, visit whelen.com/regulatory.

WARNING: This product may contain chemicals known to the State of California to cause cancer and birth defects or other reproductive harm. For more information, visit whelen.com/regulatory.

Liberty™ II Series

5YR 12 24 LC SC NFPA 1901 SAE CLASS 1 CRUISE WeCan X ISOLO DUO+ TRIO PROCLERA ProFocus™

 Download WeCad™ for models and options



FEATURES

- WeCanX® models available
- SAE Class 1 Certified
- Advanced Thermal Design improves LED performance during extended operation
- TRIO™ three colored Linear Super-LED® models are available in six pre-configured lighting packages
- Aluminum top repels hail and other environmental damages
- Extruded aluminum platform
- Center dividers with liquid injection molded seals protect internal components from water intrusion
- One piece uni-dome construction with a single sealing point assures lightbar integrity in all weather conditions
- Proclera® Silicone Optics (available in take-down lights)
- Hard-coated lenses resist environmental damage from sand, sun, salt, and road chemicals
- Plug & Play into Whelen WeCan® products
- Available with Clear, Smoked, or Color lenses

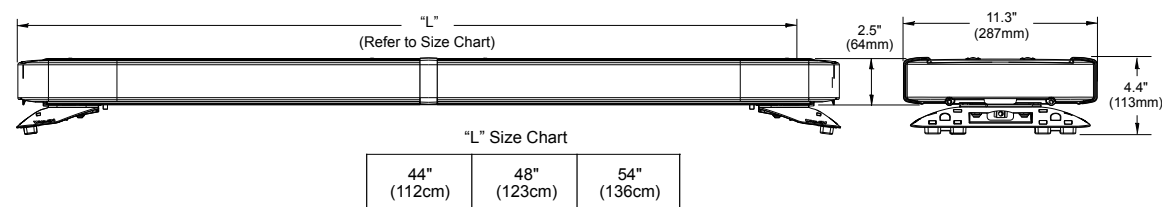
WECAN MODELS

Models	Length	Description
IX4****	44"	SOLO™, Single-Color, Red, Blue, Amber and/or White
IX8****	48"	SOLO, Single-Color, Red, Blue, Amber and/or White
IX2****	54"	SOLO, Single-Color, Red, Blue, Amber and/or White
IW4****	44"	WeCan®, Single-Color, Red, Blue, Amber and/or White
IW8****	48"	WeCan, Single-Color, Red, Blue, Amber and/or White
IW2****	54"	WeCan, Single-Color, Red, Blue, Amber and/or White
IB4****	44"	DUO+™, WeCan Single-Color, Red, Blue, Amber or White
IB8****	48"	DUO+, WeCan Single-Color, Red, Blue, Amber or White
IB2****	54"	DUO+, WeCan Single-Color, Red, Blue, Amber or White
IB4####	44"	DUO+ Color, Red, Blue, Amber and/or White
IB8####	48"	DUO+ Color, Red, Blue, Amber and/or White
IB2####	54"	DUO+ Color, Red, Blue, Amber and/or White

Replace * symbol in model number with letter indicating color desired:
 A=Amber, B=Blue, C=White, R=Red
 Replace # in model number with interleaved color desired: D=Red/White, E=Blue/White,
 F=Amber/White, J=Red/Blue, K=Red/Amber, M=Blue/Amber



DIMENSIONS



LIBERTY™ II SERIES WECAN® MODELS

Models	Length	Description
BW4****	44"	Single-Color, Red, Blue, Amber and/or White
BW8****	48"	Single-Color, Red, Blue, Amber and/or White
BW2****	54"	Single-Color, Red, Blue, Amber and/or White
BH8****	48"	Single-Color, Red, Blue, Amber and/or White, with center section for 795H, Strobe or Center LED Warning
BH2****	54"	Single-Color, Red, Blue, Amber and/or White, with center section for 795H, Strobe or Center LED Warning
BB4****	44"	Single-Color, Red, Blue, Amber or White
BB8****	48"	Single-Color, Red, Blue, Amber or White
BB2****	54"	Single-Color, Red, Blue, Amber or White
BJ8****	48"	Single-Color, Red, Blue, Amber or White, with center section for 795H, Strobe or Center LED Warning
BJ8####	48"	DUO+™ Color, Red, Blue, Amber and/or White, with center section for 795H, Strobe or Center LED Warning
BJ2****	54"	Single-Color, Red, Blue, Amber or White, with center section for 795H, Strobe or Center LED Warning
BJ2####	54"	DUO+ Color, Red, Blue, Amber and/or White, with Center Section for 795H, Strobe or Center LED Warning
BB4####	44"	DUO+ Color, Red, Blue, Amber and/or White
BB8####	48"	DUO+ Color, Red, Blue, Amber and/or White
BB2####	54"	DUO+ Color, Red, Blue, Amber and/or White
B341	44"	TRIO1, Red/Blue with White Illumination
B381	48"	TRIO1, Red/Blue with White Illumination
B321	54"	TRIO1, Red/Blue with White Illumination
B342	44"	TRIO2, Red/Blue with Traffic Advisor™ and White Illumination
B382	48"	TRIO2, Red/Blue with Traffic Advisor and White Illumination
B322	54"	TRIO2, Red/Blue with Traffic Advisor and White Illumination
B343	44"	TRIO3, Red and Blue Warning with Green Command Corners and White Illumination Inboards
B383	48"	TRIO3, Red and Blue Warning with Green Command Corners and White Illumination Inboards
B323	54"	TRIO3, Red and Blue Warning with Green Command Corners and White Illumination Inboards
B344	44"	TRIO4, Red and Blue Warning with Amber Traffic Advisor and Green Command Corners and White Illumination Front and Rear Inboards
B384	48"	TRIO4, Red and Blue Warning with Amber Traffic Advisor and Green Command Corners and White Illumination Front and Rear Inboards
B324	54"	TRIO4, Red and Blue Warning with Amber Traffic Advisor and Green Command Corners and White Illumination Front and Rear Inboards
B345	44"	TRIO5, Red/Blue with White Illumination to the Front and Rear Corners and Red/Blue/Amber Rear Inboards
B385	48"	TRIO5, Red/Blue with White Illumination to the Front and Rear Corners and Red/Blue/Amber Rear Inboards
B325	54"	TRIO5, Red/Blue with White Illumination to the Front and Rear Corners and Red/Blue/Amber Rear Inboards
B346	44"	TRIO6, Red/Blue with Green Command Corners and White Illumination Front Inboards and Red/Blue/Amber Rear Inboards
B386	48"	TRIO6, Red/Blue with Green Command Corners and White Illumination Front Inboards and Red/Blue/Amber Rear Inboards
B326	54"	TRIO6, Red/Blue with Green Command Corners and White Illumination Front Inboards and Red/Blue/Amber Rear Inboards

Replace * symbol in model number with letter indicating color desired: A=Amber, B=Blue, R=Red, C=White
 Replace # in model number with interleaved color desired: D=Red/White, E=Blue/White, F=Amber/White, J=Red/Blue, K=Red/Amber, M=Blue/Amber



Legacy® Series



Download WeCad™ for models and options



FEATURES

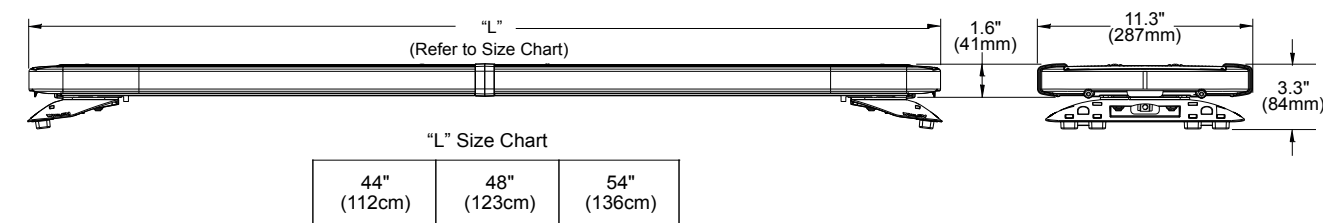
- WeCanX® models available
- SAE Class 1 Certified
- Advanced Thermal Design improves LED performance during extended operation
- TRIO™ three-colored Linear Super-LED® models are available in six pre-configured lighting packages
- Aluminum top repels hail and other environmental damages
- Extruded aluminum platform
- Center dividers with liquid injection molded seals protect internal components from water intrusion
- One piece uni-dome construction with a single sealing point assures lightbar integrity in all weather conditions
- Proclera® Silicone Optics (available in take-down lights)
- Hard-coated lenses resist environmental damage from sand, sun, salt, and road chemicals
- Plug & Play into Whelen WeCan® products
- Available with Clear or Smoked lenses

Models	Length	Description
GS4****	44"	SOLO™ WeCan Single-Color, Red, Blue, Amber and/or White
GS8****	48"	SOLO WeCan Single-Color, Red, Blue, Amber and/or White
GS2****	54"	SOLO WeCan Single-Color, Red, Blue, Amber and/or White
GB4****	44"	DUO+™ WeCan Single-Color, Red, Blue, Amber and/or White
GB4####	44"	DUO+ WeCan Two-Color Red, Blue, Amber and/or White
GB8****	48"	DUO+ WeCan Single-Color, Red, Blue, Amber or White
GB8####	48"	DUO+ WeCan Two-Color, Red, Blue, Amber and/or White
GB2****	54"	DUO+ WeCan Single-Color, Red, Blue, Amber and/or White
GB2####	54"	DUO+ WeCan Two-Color, Red, Blue, Amber and/or White

Replace * symbol in model number with letter indicating color desired: A=Amber, B=Blue, R=Red, C=White
 Replace # in model number with interleaved color desired: D=Red/White, E=Blue/White, F=Amber/White, J=Red/Blue, K=Red/Amber, M=Blue/Amber



DIMENSIONS



LEGACY® SERIES WECANX® MODELS

Models	Length	Description
ES4****	44"	Single-Color, Red, Blue, Amber and/or White
ES8****	48"	Single-Color, Red, Blue, Amber and/or White
ES2****	54"	Single-Color, Red, Blue, Amber and/or White
EB4****	44"	4 Single-Color, Red, Blue, Amber and/or White
EB4####	44"	4 Two-Color, Red, Blue, Amber and/or White
EB8****	48"	4 Single-Color, Red, Blue, Amber or White
EB8####	48"	4 Two-Color, Red, Blue, Amber and/or White
EB2****	54"	4 Single-Color, Red, Blue, Amber and/or White
E341	44"	TRIO1, Red/Blue with White Illumination
E381	48"	TRIO1, Red/Blue with White Illumination
E321	54"	TRIO1, Red/Blue with White Illumination
E342	44"	TRIO2, Red/Blue with White Illumination Front and Rear Corners, Red/Amber/White Driver Rear Inboard and Blue/Amber/White Passenger Inboard
E382	48"	TRIO2, Red/Blue with White Illumination Front and Rear Corners, Red/Amber/White Driver Rear Inboard and Blue/Amber/White Passenger Inboard
E322	54"	TRIO2, Red/Blue with White Illumination Front and Rear Corners, Red/Amber/White Driver Rear Inboard and Blue/Amber/White Passenger Inboard
E343	44"	TRIO3, Red/Blue with Green Command Corners and White Illumination Front and Rear Inboards
E383	48"	TRIO3, Red/Blue with Green Command Corners and White Illumination Front and Rear Inboards
E323	54"	TRIO3, Red/Blue with Green Command Corners and White Illumination Front and Rear Inboards
E344	44"	TRIO4, Red/Blue with Green Command Corners and White Illumination Front Inboards and Red/Amber/White Driver Rear Inboard and Blue/Amber/White Passenger Inboard
E384	48"	TRIO4, Red/Blue with Green Command Corners and White Illumination Front Inboards and Red/Amber/White Driver Rear Inboard and Blue/Amber/White Passenger Inboard
E324	54"	TRIO4, Red/Blue with Green Command Corners and White Illumination Front Inboards and Red/Amber/White Driver Rear Inboard and Blue/Amber/White Passenger Inboard
E345	44"	TRIO5, Red/Blue with White Illumination to the Front and Rear Corners and Red/Blue/Amber Rear Inboards
E385	48"	TRIO5, Red/Blue with White Illumination to the Front and Rear Corners and Red/Blue/Amber Rear Inboards
E325	54"	TRIO5, Red/Blue with White Illumination to the Front and Rear Corners and Red/Blue/Amber Rear Inboards
E346	44"	TRIO6, Red/Blue with Green Command Corners and White Illumination Front Inboards and Red/Blue/Amber Rear Inboards
E386	48"	TRIO6, Red/Blue with Green Command Corners and White Illumination Front Inboards and Red/Blue/Amber Rear Inboards
E326	54"	TRIO6, Red/Blue with Green Command Corners and White Illumination Front Inboards and Red/Blue/Amber Rear Inboards

Replace * symbol in model number with letter indicating color desired: A=Amber, B=Blue, R=Red, C=White
 Replace # in model number with interleaved color desired: D=Red/White, E=Blue/White, F=Amber/White, J=Red/Blue, K=Red/Amber, M=Blue/Amber



Justice® Series



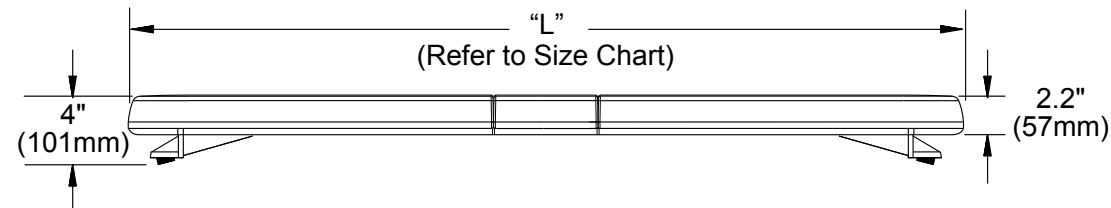
Download WeCad™ for models and options



FEATURES

- SAE Class 1 Certified
- Advanced Thermal Design improves LED performance during extended operation
- Extruded aluminum platform and polycarbonate base
- Hard-coated lenses resist environmental damage from sand, sun, salt, and road chemicals
- Easily upgraded or serviced in the field
- Plug & Play into Whelen WeCan® products
- Available with Clear, Smoked, or Color lenses

DIMENSIONS



"L" Size Chart

44" (112cm)	50" (127cm)	56" (143cm)	62" (157cm)
----------------	----------------	----------------	----------------

NFPA Justice Lightbars



FEATURES

- Designed exclusively for the rigorous standards of the Fire/EMS market
- For complete details and models, see the current NFPA 1901 Specifications Handbook
- Hard-coated lenses resist environmental damage from sand, sun, salt, and road chemicals
- Meets zone "A" upper requirements of NFPA 1901 specifications
- Dynamic Variable Intensity™ (DVI™) light patterns

Models	Length	Description
JC4****	44"	Extended 9 Diode Linear-LED® Corners
JC8****	50"	Extended 9 Diode Linear-LED Corners
JC2****	56"	Extended 9 Diode Linear-LED Corners
JE4****	44"	Standard 6 Diode Linear-LED Corners
JE8****	50"	Standard 6 Diode Linear-LED Corners
JE2****	56"	Standard 6 Diode Linear-LED Corners
JE0****	62"	Standard 6 Diode Linear-LED Corners
Super-LED® WeCan® Series		
JV4****	44"	4 Red, Blue, Amber and/or White
JV8****	50"	4 Red, Blue, Amber and/or White
JV2****	56"	4 Red, Blue, Amber and/or White
Justice® DUO™ RX WeCanX® Series		
RX4####	44"	DUO Color, Amber/White, Blue/Amber, Blue/White, Red/Amber, Red/Blue and Red/White
RX8####	50"	DUO Color, Amber/White, Blue/Amber, Blue/White, Red/Amber, Red/Blue and Red/White
RX2####	56"	DUO Color, Amber/White, Blue/Amber, Blue/White, Red/Amber, Red/Blue and Red/White

Replace * symbol in model number with letter indicating color desired: A=Amber, B=Blue, R=Red, C=White
 Replace # in model number with interleaved color desired: D=Red/White, E=Blue/White, F=Amber/White, J=Red/Blue, K=Red/Amber, M=Blue/Amber



OPTIONS

Consult current price list for full list of available options at whelen.com/literature



CON3® Module with Spreader Optics Full LIN6™ Take-Down Alley Light Work Light

NFPA MODELS

Models	Length	Description
JE2NFPA	56"	Justice CS Series, Four Corner Red Linear-LED®, Six Front CON3™s (4 Red/2 White) with Angled Ends
JE0NFPA	62"	Justice CS Series, Four Corner Red Linear-LEDs, Six Front CON3s (4 Red/2 White) with Angled Ends
JE2QNFPFA	56"	Justice CS Series, Two Red Linear-LED Front Corners, Two Red Side-Facing and Six Front CON3s (4 Red/2 White)
JE0QNFPFA	62"	Justice CS Series, Two Red Linear-LED Front Corners, Two Red Side-Facing and Six Front CON3s (4 Red/2 White)



Edge® 9X Series



Download WeCad™ for models and options



FEATURES

- SAE Class 1 Certified
- Powered by WeCanX® technology
- Available in two profiles
 - Low Profile: 1.86" H
 - Standard Profile: 2.71" H
- DUO™ Linear12™ LED and DUO Linear6™ LED Warning & Scene Take-Down/Alley
- Hard-coated lenses resist environmental damage from sand, sun, salt, and road chemicals
- Photocell included
- Passenger side cable exit
- Advanced Thermal Design improves LED performance during extended operation
- Molded polycarbonate Black tops provide protection from the elements
- 12/24 VDC
- Standard mounting feet

Models	Length	Description
EDGE 9SX Series		
9SX5####	25"	4 Two-Color Red, Blue, Amber and/or White
9SX3####	31"	4 Two-Color Red, Blue, Amber and/or White
9SX6####	36"	4 Two-Color Red, Blue, Amber and/or White
9SX4####	43"	4 Two-Color Red, Blue, Amber and/or White
9SX8####	48"	4 Two-Color Red, Blue, Amber and/or White
9SX2####	54"	4 Two-Color Red, Blue, Amber and/or White
9SX0####	59"	4 Two-Color Red, Blue, Amber and/or White
EDGE 9TX Series		
9TX5####	25"	4 Two-Color Red, Blue, Amber and/or White
9TX3####	31"	4 Two-Color Red, Blue, Amber and/or White
9TX6####	36"	4 Two-Color Red, Blue, Amber and/or White
9TX4####	43"	4 Two-Color Red, Blue, Amber and/or White
9TX8####	48"	4 Two-Color Red, Blue, Amber and/or White
9TX2####	54"	4 Two-Color Red, Blue, Amber and/or White
9TX0####	59"	4 Two-Color Red, Blue, Amber and/or White

Replace # in model number with interleaved color desired: D=Red/White, E=Blue/White, F=Amber/White, J=Red/Blue, K=Red/Amber, M=Blue/Amber



OPTIONS

Models	Description
9SXDL#	One DUO™ Color Long Super-LED® Lighthouse, Red, Blue, Amber and/or White
9SXDL***	One Long Super-LED Lighthouse, Split-Color Primary Warning with Full-Color Secondary Warning for Center Mount on 31", 43" and 54" Lightbars Only
9SXTW*	One DUO Color Super-LED Take-Down or Alley Light, Amber/White, Blue/White, White/White or Red/White
9SXT	Super-LED® Take-Down or Alley Lights, White, Pair
9TXDL#	One DUO Color Long Super-LED Lighthouse, Red, Blue, Amber and/or White
9TXDL***	One Long Super-LED Lighthouse, Split-Color Primary Warning with Full-Color Secondary Warning for Center Mount on 31", 43" and 54" Lightbars Only
9TWTW*	One DUO Color Super-LED Take-Down or Alley Light, Amber/White, Blue/White, White/White or Red/White
9TWT	Super-LED® Take-Down or Alley Lights, White, Pair
9SXDCBL	Driver Side Cable Exit
CCP	Core™ Control Point for use with WeCanX® Devices when NOT using CenCom Core®

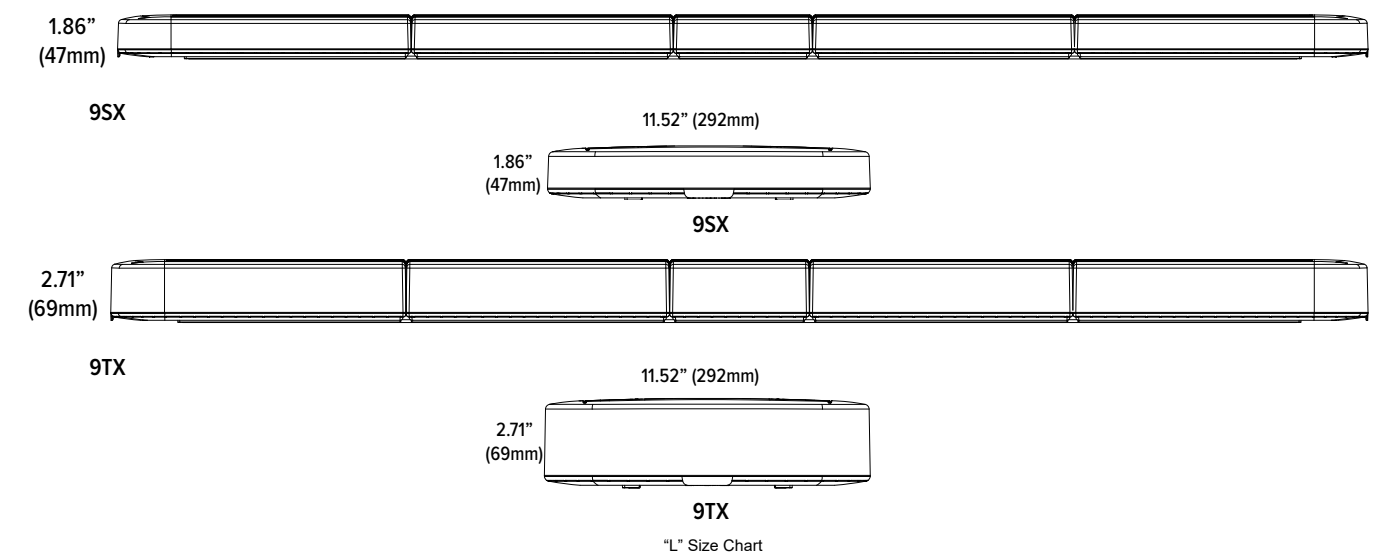
Consult current price list for full list of available options at whelen.com/literature

Replace * symbol in model number with letter indicating color desired: A=Amber, B=Blue, R=Red, C=White

Replace # in model number with interleaved color desired: D=Red/White, E=Blue/White, F=Amber/White, J=Red/Blue, K=Red/Amber, M=Blue/Amber



DIMENSIONS



63.5cm	79cm	91cm	112cm	122cm	137cm	152cm
--------	------	------	-------	-------	-------	-------

4500 Build-A-Bar Series

5YR NFPA 1901 COMPLIANT HARD COAT ROTA BEAM Download WeCad™ for models and options



FEATURES

- Hard-coated lenses resist environmental damage from sand, sun, salt, and road chemicals
- Available with or without SAE compliant front and rear LED clearance lights
- Pre-configured KKK 1822-F compliant packages available
- Color or Clear outer lens
- Anodized aluminum extrusion

Models	Length					Height x Depth
45B±±	20" (51cm)	52" (132cm)	78" (198cm)	88" (224cm)	96" (244cm)	4.88" (124mm) H x 5.25" (133mm) D
	22" (56cm)	60" (152cm)	82" (208cm)	90" (228cm)	98" (249cm)	
45B±±*	38" (96cm)	72" (183cm)	84" (213cm)	92" (233cm)		
	44" (112cm)	76" (193cm)	86" (218cm)	94" (239cm)		

Replace * symbol in model number with A = Front Facing or R = Rear Facing



OPTIONS

Consult current price list for full list of available options at whelen.com/literature



WeCanX® 2250

5YR 12 24 IP67 SAE CLASS 1 HARD COAT DVI WE CAN X DUO

Download WeCad™ for models and options



FEATURES

- Utilizes powerful ION™ T-Series™ Lightheads with patented E Block™ technology
- IP67 rated
- 3" slimmer than 4500 series
- Flush mount (slide bolt)
- 12/24 VDC
- Powered by WeCanX technology
- Hard-coated lenses resist environmental damage from sand, sun, salt, and road chemicals
- Dynamic Variable Intensity™ (DVI™) light patterns
- Functionality configurable in Whelen Command®
- Lighthead configurations easily defined within Whelen's WeCad Software
- DUO™ support in warning light options
- Aerial recognition option
- Choose between two angled end caps or two flat end caps

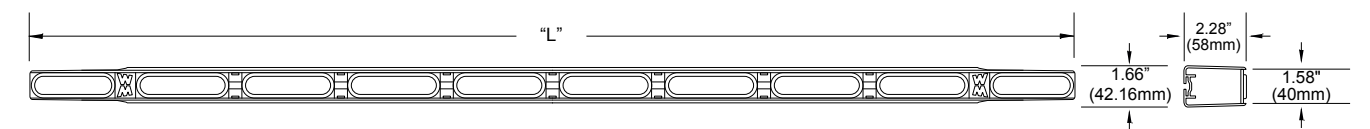
Models	Length	Description
WeCanX 2250 Super-LED® with Angled End Caps, Ordered Separately		
WX2230	30"	6 Lightheads and 2 Angled End Caps Required
WX2240	40"	8 Lightheads and 2 Angled End Caps Required
WX2250	50"	10 Lightheads and 2 Angled End Caps Required
WX2260	60"	12 Lightheads and 2 Angled End Caps Required
WX2270	70"	14 Lightheads and 2 Angled End Caps Required
WX2280	80"	16 Lightheads and 2 Angled End Caps Required
WeCanX 2250 Super-LED with Flat End Caps, Ordered Separately		
WX2220F	22"	4 Total Lightheads and 2 Flat End Caps Required
WX2230F	32"	6 Total Lightheads and 2 Flat End Caps Required
WX2240F	42"	8 Total Lightheads and 2 Flat End Caps Required
WX2250F	52"	10 Total Lightheads and 2 Flat End Caps Required
WX2260F	62"	12 Total Lightheads and 2 Flat End Caps Required
WX2270F	72"	14 Total Lightheads and 2 Flat End Caps Required
WX2280F	82"	16 Total Lightheads and 2 Flat End Caps Required

Consult current price list for full list of available options at whelen.com/literature.
 Replace * symbol in model number with letter indicating color desired:
 A=Amber, B=Blue, R=Red, C=White
 Replace # in model number with interleaved color desired: D=Red/White,
 E=Blue/White, F=Amber/White, J=Red/Blue, K=Red/Amber, M=Blue/Amber

Options	Description
22L#	Add One DUO Color Lighthead, Red/White, Blue/White, Amber/White, Red/Blue, Blue/Amber or Red/Amber
22AEC	One Angled End Cap, No Charge When Purchased with a 2250 Series
CCP	Core™ Control Point for use with WeCanX Device when NOT using CenCom Core®
22RECA	One Angled Right End Cap for Use with One Aerial Recognition Light, for Bars 30" to 50"
22LECA	One Angled Left End Cap for Use with One Aerial Recognition Light, for Bars 30" to 50"
22RECA2	One Angled Right End Cap for use with One Aerial Recognition Light, for Bars 60" to 80"
22LECA2	One Angled Left End Cap for Use with One Aerial Recognition Light, for Bars 60" to 80"
22ARL*	Add One Aerial Recognition Light, Amber, Blue, White or Red (22LECA(2))
22LOAD	Add One Load Light
22BLANK	Blank Filler Panel, Not Available for Angled End Caps
22EC	One Flat End Cap for Left or Right Side



DIMENSIONS



"L" Size Chart

22"	30"	40"	50"	60"	70"	80"
(56cm)	(76cm)	(101cm)	(127cm)	(152.4cm)	(178cm)	(203cm)

Inner Edge® RST™ Series

5YR 12 LC SAE CLASS 1 NFPA 1901 SCAN LOCK WeCan X ISOLO™ DUO™ TRIO™ PROCLERA

 Download WeCad™ for models and options



FEATURES

- WeCanX® models available
- SAE Class 1 Certified
- Mounts to the rear headliner of SUVs and pickup trucks
- Drop-in lighthead tray is universal, allowing for easy serviceability
- Lighthead tray can be repurposed to a different vehicle by obtaining an alternate housing and mounting kit
- Low current models are available with SOLO™ light modules
- Plug & Play into Whelen WeCan® products

Models	Tray Description
ITRAYL8	8-Lamp Tray for SOLO Lighthead
ITRAYL10	10-Lamp Tray for SOLO Lighthead
ITRAYL12	12-Lamp Tray for SOLO Lighthead
ITRAYW8	8-Lamp Tray for WeCan SOLO, DUO™ or TRIO™ Lighthead
ITRAYW10	10-Lamp Tray for WeCan SOLO, DUO or TRIO Lighthead
ITRAYW12	12-Lamp Tray for WeCan SOLO, DUO or TRIO Lighthead
Models	Vehicle Specific Housing Description
IS458	Chevy Tahoe, 2015-2020, Upper Rear Housing for Eight or Ten Modules
IS458	Chevy Suburban, 2015-2018, Upper Rear Housing for Eight or Ten Modules
IS448	Dodge Durango, 2016-2022, Upper Rear Housing for Eight or Ten Modules
IS488	Ford Expedition, 2018-2022, Upper Rear Housing for Eight or Ten Modules
Models	Lighthead Description
ISS*	One SOLO Lighthead, Red, Blue, Amber or White
ISD#	One DUO Lighthead, Red, Blue, Amber and/or White
ISTRBA	One TRIO™ Lighthead, Red/Blue/Amber
ISTRCA	One TRIO Lighthead, Red/White/Amber
ISTBCA	One TRIO Lighthead, Blue/White/Amber
ISTRBC	One TRIO Lighthead, Red/Blue/White
DELWCCP	Delete WeCan Control Point

Consult current price list for full list of available options at whelen.com/literature.
 Replace * symbol in model number with letter indicating color desired: A=Amber, B=Blue, R=Red, C=White
 Replace # in model number with interleaved color desired: D=Red/White, E=Blue/White, F=Amber/White, J=Red/Blue, K=Red/Amber, M=Blue/Amber



Inner Edge® FST™ Series

5YR 12 LC NFPA 1901 SAE CLASS 1 SCAN LOCK WeCan X ISOLO™ DUO™ TRIO™ PROCLERA

 Download WeCad™ for models and options



FEATURES

- WeCanX® models available
- Meets SAE Class 1 specifications
- Upper front units mount to visor anchor points
- Low Current models are available in SOLO™
- Plug & Play into Whelen WeCan® products
- Proclera® Silicone Optics (available in take-down lights)
- 17' cable included
- Available with BroadBand Blue™
- Vehicle specific housing minimizes flashback to vehicle passengers
- Models available for the Chevy Silverado, Chevy Tahoe/Suburban, Ram 1500, Ford Police Interceptor Utility, Ford F-150/F-250/F-350, Ford Expedition, and Ford Transit
- Refer to website for full list of models

Outer Edge® Series

5YR 12 NFPA 1901 HARD COAT SCAN LOCK WeCan X ISOLO DUO TRIO PROCLERA

 Download WeCad™ for models and options



FEATURES

- Six Lamp, Two-piece
- SAE Class 1 Certified
- Vehicle specific vacuum formed pillar housings offer easy serviceability
- Plug & Play into Whelen WeCan® products
- Low Current models are available with SOLO™ lighthoods and feature Traffic Advisor™ patterns
- Fully encapsulated
- Hard-coated lenses resist environmental damage from sand, sun, salt, and road chemicals
- Each housing supports three ION™ lighthoods

Models	Description
OELS45	Chevy Tahoe 2015-2020, Requires Six SOLO OEION* Lighthoods
OELS54	Chevy Tahoe 2021-2022, Requires Six SOLO OEION* Lighthoods
OEWS45	Chevy Tahoe 2015-2020, Requires Six SOLO OEION* Lighthoods
OEWD45	Chevy Tahoe 2015-2020, Requires Six DUO™ OEI2# Lighthoods
OEWT45	Chevy Tahoe 2015-2020, Requires Six TRIO™ OEI3 Lighthoods
OEWS54	Chevy Tahoe 2021-2022, Requires Six SOLO OEION* Lighthoods
OEWD54	Chevy Tahoe 2021-2022, Requires Six DUO OEI2# Lighthoods
OEWT54	Chevy Tahoe 2021-2022, Requires Six TRIO OEI3 Lighthoods
RPLS45	Chevy Tahoe 2016-2020, Requires Six SOLO OEION* Lighthoods
RPWS45	Chevy Tahoe 2016-2020, Requires Six SOLO OEION* Lighthoods
RPWD45	Chevy Tahoe 2016-2020, Requires Six DUO OEI2# Lighthoods
RPWT45	Chevy Tahoe 2016-2020, Requires Six TRIO OEI3 Lighthoods
RPLS44	Low Current, for Dodge Durango Pursuit 2019-2021, Requires Six SOLO OEION* Lighthoods
RPWS44	Dodge Durango Pursuit 2019-2022, Requires Six SOLO OEION* Lighthoods
RPWD44	Dodge Durango Pursuit 2019-2022, Requires Six DUO OEI2# Lighthoods
RPWT44	Dodge Durango Pursuit 2019-2022, Requires Six TRIO OEI3 Lighthoods

Consult current price list for full list of available options at whelen.com/literature.

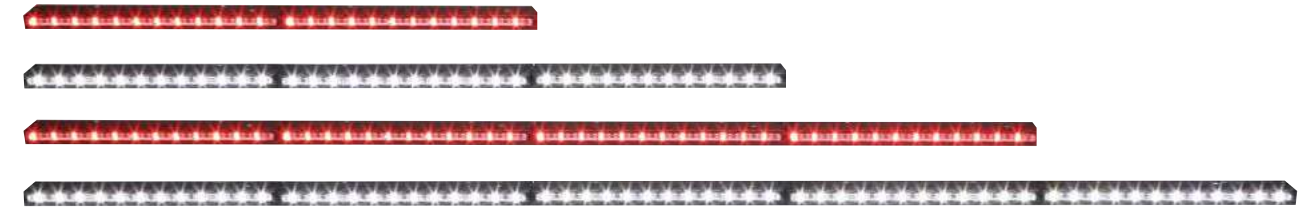
Replace * symbol in model number with letter indicating color desired: A=Amber, B=Blue, R=Red, C=White
 Replace # in model number with interleaved color desired: D=Red/White, E=Blue/White, F=Amber/White, J=Red/Blue, K=Red/Amber, M=Blue/Amber



Tracer™ WeCanX®

5YR 12 NFPA 1901 SAE CLASS 1 HARD COAT SCAN LOCK DVI WeCan X ISOLO DUO TRIO

 Download WeCad™ for models and options



FEATURES

- Vehicle-to-Vehicle Synchronization
- Available in SOLO™ (single-color), DUO™ (two-color interleaved), or TRIO™ (three-color interleaved) modules
- Whelen Command® programming allows:
 - DUO and TRIO modules to operate with a steady override, such as white steady-burn
 - Full configurability of Traffic Advisor™ functionality
 - Adjustable intensity levels of cruise light control
- Dynamic Variable Intensity™ (DVI™) light patterns
- Mounts easily via slide bolt with vehicle specific brackets, universal “L” brackets, or under lightbar brackets
- SAE Class 1 certified
- Five-year warranty
- Hard-coated lenses resist environmental damage from sand, sun, salt, and road chemicals

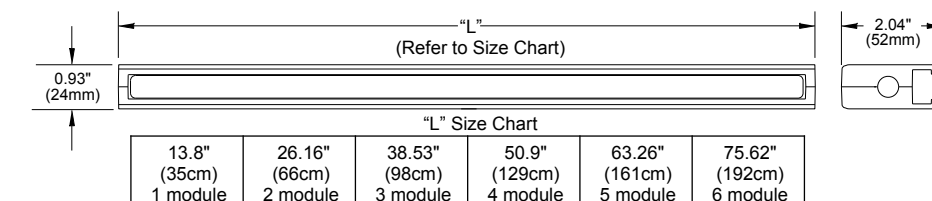
Models	Description
TCRWX1	1-Lamp Housing and TCRL* SOLO Lighthouse. “L” Bracket Mounting (2 Required) Purchased Separately
TCRWX2	2-Lamp Housing and TCRL* SOLO Lighthoods. “L” Bracket Mounting (3 Required) Purchased Separately
TCRWX3	3-Lamp Housing and TCRL* SOLO Lighthoods. “L” Bracket Mounting (4 Required) Purchased Separately
TCRWX4	4-Lamp Housing and TCRL* SOLO Lighthoods. “L” Bracket Mounting (5 Required) Purchased Separately
TCRWX5	5-Lamp Housing and TCRL* SOLO Lighthoods. “L” Bracket Mounting (6 Required) or Vehicle Specific Mounting Purchased Separately
TCRWX6	6-Lamp Housing and TCRL* SOLO Lighthoods. “L” Bracket Mounting (7 Required) or Vehicle Specific Mounting Purchased Separately
TCRWXP*	Primary SOLO Lighthouse Includes Lamp Driver, One Required in Position 1, for Each SOLO Tracer, Red, Blue, Amber or White. No Charge When Ordered with the Appropriate Housing
TCRWXS*	Secondary SOLO Lighthouse, Red, Blue, Amber, or White. For Use in Positions 2-6. No Charge When Ordered with the Appropriate Housing
TCRWXP#	Primary DUO Lighthouse Includes Lamp Driver, One Required in Position 1, for Each DUO Tracer, Blue/White, Blue/Amber, Red/Blue, Red/White, Red/Amber or Amber/White
TCRWXS#	Secondary DUO Lighthouse, Blue/White, Blue/Amber, Red/Blue, Red/White, Red/Amber or Amber/White. For Use in Positions 2-6
TCRWXPJC	Primary TRIO Lighthouse Includes Lamp Driver, One Required in Position 1, for Each TRIO Tracer, Red/Blue/White
TCRWXSJC	Secondary TRIO Lighthouse, Red/Blue/White. For Use in Positions 2-6
TCRWXPJA	Primary TRIO Lighthouse Includes Lamp Driver, One Required in Position 1, for Each TRIO Tracer, Red/Blue/Amber
TCRWXSJA	Secondary TRIO Lighthouse, Red/Blue/Amber. For Use in Positions 2-6

Consult current price list for full list of available options at whelen.com/literature.



Replace * symbol in model number with letter indicating color desired: A=Amber, B=Blue, R=Red, C=White
 Replace # in model number with interleaved color desired: D=Red/White, E=Blue/White, F=Amber/White, J=Red/Blue, K=Red/Amber, M=Blue/Amber

DIMENSIONS



Dominator™ & Dominator Plus™ Series



FEATURES

- SAE Class 1 Certified
- Low-profile surface mount housing designed for interior or exterior use
- Choice of TIR3™ or LINZ6™ Super-LED® modules
- Fully encapsulated for moisture, vibration, and corrosion resistance

- Internal self-contained electronics
- Hard-coated lenses resist environmental damage from sand, sun, salt, and road chemicals
- Slide bolt mount
- Extruded aluminum Black powder-coated housing

DOMINATOR MODELS

Models	Description
D2	2-Lamp, Requires 2 D*
D4	4-Lamp, Requires 4 D*
D6	6-Lamp, Requires 6 D*
D8	8-Lamp, Requires 8 D*
DTA6A	Amber, 6-Lamp TIR3 Super-LED Traffic Advisor™, Less Control Head
DTA6	6-Lamp TIR3 Super-LED Traffic Advisor, Less Control Head, Requires 6 D*
DTA8A	Amber, 8-Lamp TIR3 Super-LED Traffic Advisor, Less Control Head
DTA8	8-Lamp TIR3 Super-LED Traffic Advisor, Less Control Head, Requires 8 D*
DTAW8	8-Lamp TIR3, 6 Light Traffic Advisor with 2 End Warning Lights, Less Control Head, Requires 8 D*
D*	TIR3 Super-LED Lighthouse, Amber, Red or White

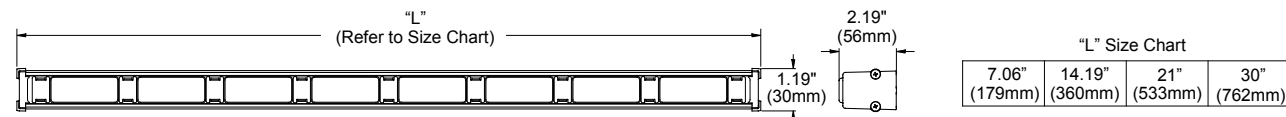
DOMINATOR PLUS MODELS

Models	Description
DP2	2-Lamp, Requires 2 DP*
DP4	4-Lamp, Requires 4 DP*
DP6	6-Lamp, Requires 6 DP*
DP8	8-Lamp, Requires 8 DP*
DPTA6A	Amber, 6-Lamp LINZ6 Super-LED Traffic Advisor, Less Control Head
DPTA6	6-Lamp LINZ6 Super-LED Traffic Advisor, Less Control Head, Requires 6 DP*
DPTA8A	Amber, 8-Lamp LINZ6 Super-LED Traffic Advisor, Less Control Head
DPTA8	8-Lamp LINZ6 Super-LED Traffic Advisor, Less Control Head, Requires 8 DP*
DPTAW8	8-Lamp LINZ6, 6 Light Traffic Advisor with 2 End Warning Lights, Less Control Head, Requires 8 DP*
DP*	LINZ6 Super-LED Lighthouse, Amber, Red or White

Replace * symbol in model number with letter indicating color desired: A=Amber, R=Red, C=White



DIMENSIONS



MINI LIGHTBARS



Mini Freedom® IV Series

DYAD™ 5YR 12 SC NFPA 1901 SAE CLASS 1 HARD COAT SCAN LOCK DVI ISOLO™

ROTA-BEAM™ 5YR 12 NFPA 1901 SAE CLASS 1 HARD COAT SCAN LOCK ROTA-BEAM

 Download WeCad™ for models and options



FEATURES

- SAE Class 1 Certified
- Single-color corner modules available in Amber, Blue, Red or White
- Hard-coated lenses resist environmental damage from sand, sun, salt, and road chemicals
- Clear outer domes with Clear dividers

- Extruded aluminum platform for long-life dependability
- Magnetic mount includes cigar plug with On/Off switch with LED "On" indicator, and Scan-Lock pattern control switch
- Permanent mount includes 15' cable

MINI FREEDOM IV

- Linear Super-LED®
- 67 Scan-Lock™ flash patterns
- Available in magnetic or permanent mount

MINI FREEDOM IV ROTA-BEAM

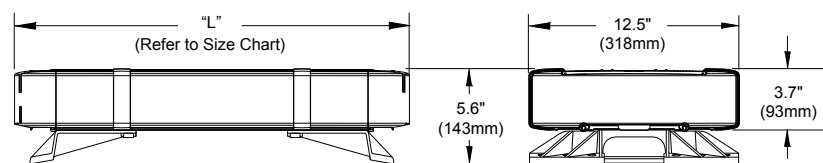
- Rotating Super-LED technology
- 10 Scan-Lock flash patterns
- Available in permanent mount, includes 15' cable

Models	Description
F4M****P	Permanent Mount, 4 Corners, Red or White
F4M****M	Magnetic Mount, 4 Corners, Red or White
F4B****P	Permanent Mount, 4 Corners and Center Section, Red or White
F4M*0*0F	Permanent Mount, 2 Front Facing Corners, Red or White
F4G*0*0F	Permanent Mount, 2 Front Facing Corners, Pre-Wired for Miovision Center Mounted Emitter, Red or White
R4B****P	Permanent Mount, 4 Rotating Super-LED Corner Modules
R4B*0*0P	Permanent Mount, 2 Front Facing Rotating Super-LED Corner Modules

Replace * symbol in model number with letter indicating color desired: A=Amber, B=Blue, R=Red, C=White



DIMENSIONS



OPTIONS



Long Lighthead Filter

"L" Size Chart

21" (53cm)	23.3" (59cm)
------------	--------------

Micro Freedom® Series

5YR 12 NFPA 1901 HARD COAT SCAN LOCK DVI



FEATURES

- Heavy-duty extruded aluminum frame for tailboard mounting
- Available with Color LEDs and Clear lenses
- 240° light output with built-in flasher

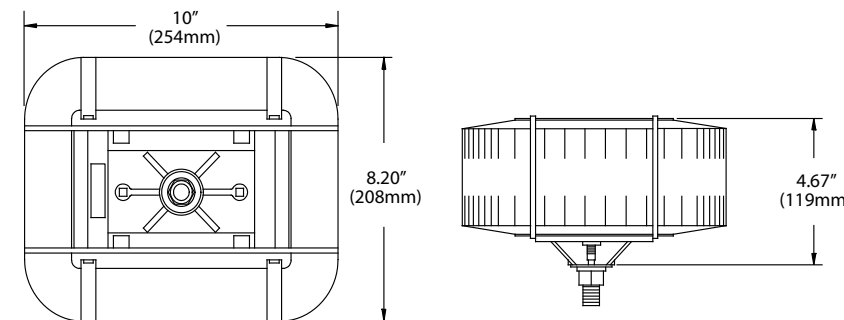
- Available as stud mount
- Hard-coated lenses resist environmental damage from sand, sun, salt, and road chemicals

Model	Description
MCFLED2**	Micro Freedom, Blue, Red and/or Amber

Replace * symbol in model number with letter indicating color desired: A=Amber, B=Blue, R=Red



DIMENSIONS



Mini Edge® 9X

See pages 14-15



TRAFFIC ADVISOR™



Whelen's Traffic Advisor light arrays are designed to safely direct approaching traffic on the back of the vehicle. Straight or arrow style models are available with fully encapsulated lightheads and hard-coated lenses that resist environmental damage from sand, sun, salt, and road chemicals for optimal durability.



FEATURES

- Black extruded aluminum housing
- Interior or exterior applications
- Hard-coated lenses resist environmental damage from sand, sun, salt, and road chemicals
- Lightheads are fully encapsulated
- Left arrow, right arrow, split arrow, and warning functions
- Rear dip switch provides 8 flash patterns
- Hi/Low intensity control
- 15' cable standard, alternate cable lengths available, contact factory

TAC8 SERIES

- 8 front-loaded Super-LED® modules
- Built-in left arrow, right arrow, split arrow, and warning functions
- Includes 9 directional sequences and 9 Scan-Lock™ flash patterns
- LED modules are sealed units (IP67 rated)
- Control head features an auxiliary control for a device up to 6A

OPTIONS



TADCTL1



TACTL5

Traffic Advisor™ Models

Models	Traffic Advisor™ Rear Slot Mount Description
TAM63	Traffic Advisor with Six TIR3™ Lightheads, TACTL5 Control Head Included
TAM83	Traffic Advisor with Eight TIR3 Lightheads, TACTL5 Control Head Included
TAM83**	Traffic Advisor with Eight TIR3 Lightheads, TACTL5 Control Head Included
TAZ66	Traffic Advisor with Six LINZ6™ Lightheads, TACTL5 Control Head Included
TAZ86	Traffic Advisor with Eight LINZ6 Lightheads, TACTL5 Control Head Included
TAZ86**	Traffic Advisor with Eight LINZ6 Lightheads, TACTL5 Control Head Included
Models	Traffic Advisor Dominator™ Series Description
DTA6	Dominator Traffic Advisor, Requires Six D* Lightheads, TADCTL1 Control Head Not Included
DTA6A	Dominator Traffic Advisor with Six TIR3 Amber Lightheads, TADCTL1 Control Head Not Included
DTA8A	Dominator Traffic Advisor with Eight TIR3 Amber Lightheads, TADCTL1 Control Head Not Included
DTA8	Dominator Traffic Advisor, Requires Eight D* Lightheads, TADCTL1 Control Head Not Included
DTAW8	Dominator Traffic Advisor, Requires Eight D* Lightheads (6 Amber, 2 End Warning), TADCTL1 Control Head Not Included
DPTA6A	Dominator Plus Traffic Advisor with Six LINZ6 Amber Lightheads, TADCTL1 Control Head Not Included
DPTA6	Dominator Plus Traffic Advisor, Requires Six DP* Lightheads, TADCTL1 Control Head Not Included
DPTA8A	Dominator Plus Traffic Advisor with Eight LINZ6 Amber Lightheads, TADCTL1 Control Head Not Included
DPTA8	Dominator Plus Traffic Advisor, Requires Eight DP* Lightheads, TADCTL1 Control Head Not Included
DPTAW8	Dominator Plus Traffic Advisor, Requires Eight DP* Lightheads (6 Amber, 2 End Warning), TADCTL1 Control Head Not Included
DP*	LINZ6 Super-LED® Lighthead, Amber, Blue, Red or White
D*	TIR3 Super-LED Lighthead, Amber, Blue, Red or White
Models	Traffic Advisor Flat Mount Series Description
TAL65	Traffic Advisor with Six 500 Series 5mm LED Lightheads, TACTL5 Included
TAL85	Traffic Advisor with Eight 500 Series 5mm LED Lightheads, TACTL5 Included
TAM65	Traffic Advisor with Six TIR6™ 500 Series Lightheads, TACTL5 Included
TAM85	Traffic Advisor with Eight TIR6 500 Series lightheads, TACTL5 Included
TAM85**	Traffic Advisor with Eight TIR6 500 Series Lightheads, TACTL5 Included
Models	Traffic Advisor Front Load Series Description
TADF6	Traffic Advisor with Six DUO™ Linear Super-LED® Lightheads, No Control Head Required
TADF8	Traffic Advisor with Eight DUO Linear Super-LED Lightheads, No Control Head Required
TANF65	Traffic Advisor with Six 500 Series Linear-LED® Lightheads, TACTL5 Control Head Included
TANF85	Traffic Advisor with Eight 500 Series Linear-LED Lightheads, TACTL5 Control Head Included
TANF85**	Traffic Advisor with Eight 500 Series Linear-LED Lightheads, TACTL5 Control Head Included
TACF85	Traffic Advisor with Eight CON3™ Super-LED Lightheads, TACTL5 Control Head Included
TACF85**	Traffic Advisor with Eight CON3 Super-LED Lightheads, TACTL5 Control Head Included
Models	Traffic Advisor TAC8 (Economy) Series Description
TAC815	Traffic Advisor with Eight SOLO™ Super-LED Lightheads, 15' Cable and Control Head Included
TAC830	Traffic Advisor with Eight SOLO Super-LED Lightheads, 30' Cable and Control Head Included
TAC850	Traffic Advisor with Eight SOLO Super-LED Lightheads, 50' Cable and Control Head Included

Replace * symbol in model number with letter indicating color desired: A=Amber, B=Blue, R=Red, C=White



BEACONS



B6 Series Combination Tailboard Lighting



FEATURES

- Designed for use in NFPA 1901 Specification lighting packages
- Combines 360° warning and directional lighting
- Hard-coated domes and lenses resist environmental damage from sand, sun, salt, and road chemicals
- Lower light offered in single or split-color
- Polished aluminum base



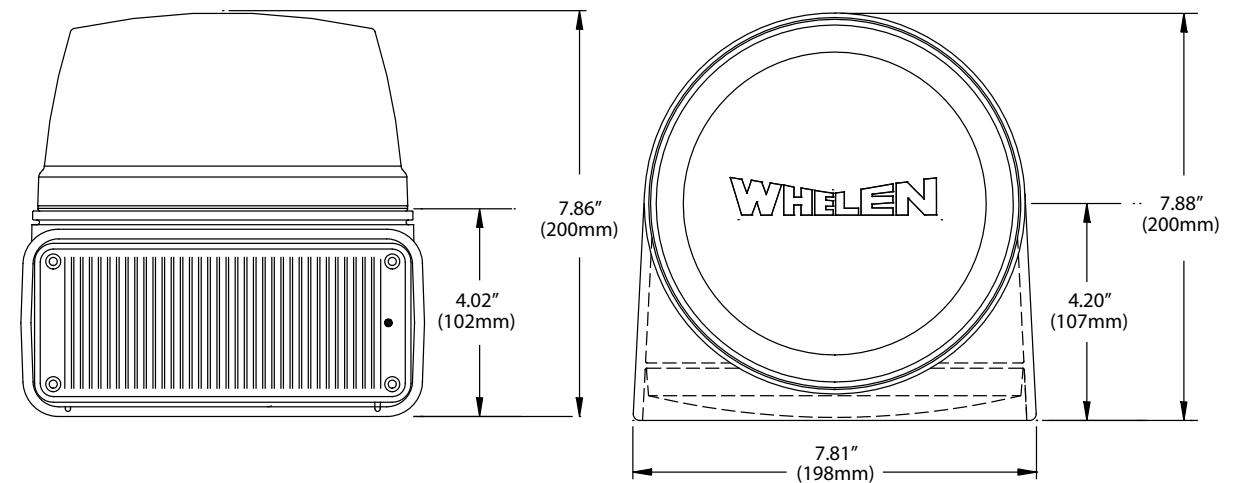
Models	Description
B63M7**	R316 Super-LED® Rota-Beam™ Beacon Upper, with M7 Super-LED Lighthouse
B6370**	R316 Super-LED Rota-Beam Beacon Upper, with 700 Series Super-LED Lighthouse Lower
B6MM**P	L31 Super-LED Beacon Upper, with 700 Series Super-LED Lighthouse Lower

Consult current price list for full list of available options at whelen.com/literature

Replace * symbol in model number with letter indicating color desired: A=Amber, B=Blue, R=Red, C=White, G=Green



DIMENSIONS



R316 & R416 Series



R316



R416

FEATURES

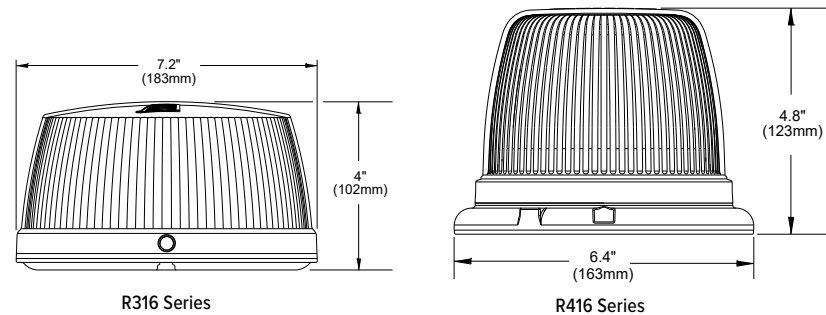
- SAE Class 1 Certified
- Smooth polycarbonate dome
- Powder-coated die-cast base
- Solid-state electronics
- Conformal coated electronics
- Hard-coated domes resist environmental damage from sand, sun, salt, and road chemicals

Models	Description
R316*F	Permanent Mount, Red, Blue, Amber or White
R316*M	Magnetic Mount, Red, Blue, Amber or White
R316*V	Magnetic/Suction Mount, Red, Blue, Amber or White
R316**F	Permanent Mount, Two-Color, Split Front/Rear, Red, Blue, Amber and/or White
R316**M	Magnetic Mount, Two-Color, Split Front/Rear, Red, Blue, Amber and/or White
R316**V	Magnetic/Suction Mount, Two-Color, Split Front/Rear, Red, Blue, Amber and/or White
R416*F	Permanent Mount, Red, Blue, Amber or White
R416*M	Magnetic Mount, Red, Blue, Amber or White
R416*V	Magnetic/Suction Mount, Red, Blue, Amber or White
R416**F	Permanent Mount, Two-Color, Split Front/Rear, Red, Blue, Amber and/or White
R416**M	Magnetic Mount, Two-Color, Split Front/Rear, Red, Blue, Amber and/or White
R416**V	Magnetic/Suction Mount, Two-Color, Split Front/Rear, Red, Blue, Amber and/or White

Consult current price list for full list of available options at whelen.com/literature
 Replace * symbol in model number with letter indicating color desired: A=Amber, B=Blue, R=Red, C=White



DIMENSIONS



L31 & L32 Super-LED® Series



*L31 only



L32



L31

FEATURES

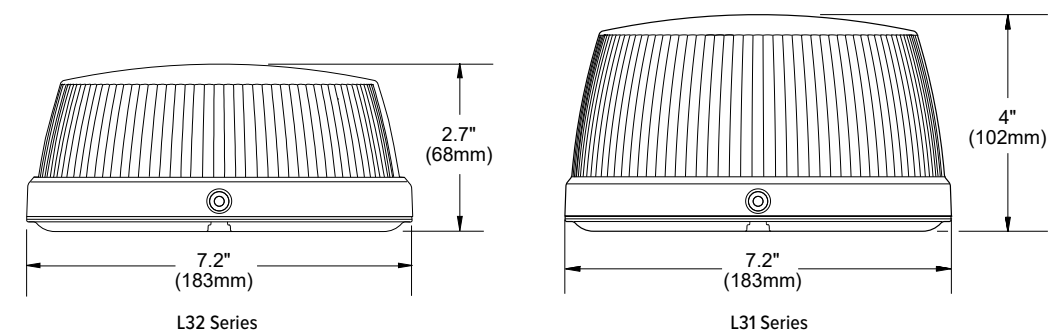
- SAE Class 1 Certified (Amber)
- High- and low-dome models
- Smooth polycarbonate dome
- Dynamic Variable Intensity™ (DVI™) light patterns (L31 only)
- Powder-coated die-cast base
- Solid-state electronics
- Conformal coated electronics

Models	Description
L31H*F	Permanent Mount, High Dome, Red, Blue, Amber or White
L31HPF	Permanent Mount, High Dome, Amber/Green
L31H*M	Magnetic Mount, High Dome, Red, Blue, Amber or White
L31H*V	Magnetic/Suction Mount, High Dome, Red, Blue, Amber or White
L31H*F4	Permanent Mount, High Dome, Red, Blue, Amber or White
L32L*F	Permanent Mount, Low Dome, Red, Blue, Amber or White
L32L*M	Magnetic Mount, Low Dome, Red, Blue, Amber or White
L32L*V	Magnetic/Suction Mount, Low Dome, Red, Blue, Amber or White
L32L*F4	Permanent Mount, Low Dome, Red, Blue, Amber or White
L31HRFN	Permanent Mount, High Dome, Red, Meets NFPA Zone C Upper Requirements

Consult current price list for full list of available options at whelen.com/literature
 Replace * symbol in model number with letter indicating color desired: A=Amber, B=Blue, R=Red, C=White, G=Green



DIMENSIONS



DASH & DECK

Avenger® II Series

5YR 12 NFPA 1901 SAE CLASS 1 HARD COAT SCAN LOCK SOLO DUO TRIO



FEATURES

- SAE Class 1 Certified
- Combination Linear/TIR™ optics
- Available in SOLO™, DUO™ or TRIO™ models
- Polycarbonate housing
- Solid-state electronics
- Conformal coated electronics
- Cigar plug series models include 10' cord with On/Off switch and Scan-Lock™ flash pattern switch
- Hard-wire series models include 2-wire (SOLO), 3-wire (DUO) or 4-wire (TRIO) pigtail

Models	Description	Models	Description
AVC11*	Single Lamp, SOLO, Amber, Blue, Red or White	AVC23RBC	Dual Lamp, TRIO, Red/Blue/White
AVC21**	Dual Lamp, SOLO, Amber, Blue, Red or White	AVC23RBA	Dual Lamp, TRIO, Red/Blue/Amber
AVC12#	Single Lamp, DUO, Red/White, Blue/White, Amber/White, Red/Blue, Red/Amber or Blue/Amber	AVC23RAC	Dual Lamp, TRIO, Red/Amber/White
AVC22DD	Dual Lamp, DUO, Two Red/White	AVC23BAC	Dual Lamp, TRIO, Blue/Amber/White
AVC22DE	Dual Lamp, DUO, One Red/White, One Blue/White	AVW11*	Single Lamp, SOLO, Red, Blue, Amber or White
AVC22EE	Dual Lamp, DUO, Two Blue/White	AVW21**	Dual Lamp, SOLO, Red, Blue, Amber and/or White
AVC22FF	Dual Lamp, DUO, Two Amber/White	AVW12#	Single Lamp, DUO, Red/Blue, Amber/White, Blue/White, Red/White or Blue/Amber
AVC22JJ	Dual Lamp, DUO, Two Red/Blue	AVW22DD	Dual Lamp, DUO, Two Red/White
AVC22MM	Dual Lamp, DUO, Two Blue/Amber	AVW22DE	Dual Lamp, DUO, One Red/White and One Blue/White
AVC13RBC	Single Lamp, TRIO, Red/Blue/White	AVW22EE	Dual Lamp, DUO, Two Blue/White
AVC13RBA	Single Lamp, TRIO, Red/Blue/Amber	AVW22FF	Dual Lamp, DUO, Two Amber/White
AVC13RAC	Single Lamp, TRIO, Red/Amber/White	AVW22JJ	Dual Lamp, DUO, Two Red/Blue
AVC13BAC	Single Lamp, TRIO, Blue/Amber/White	AVW22MM	Dual Lamp, DUO, Two Blue/Amber

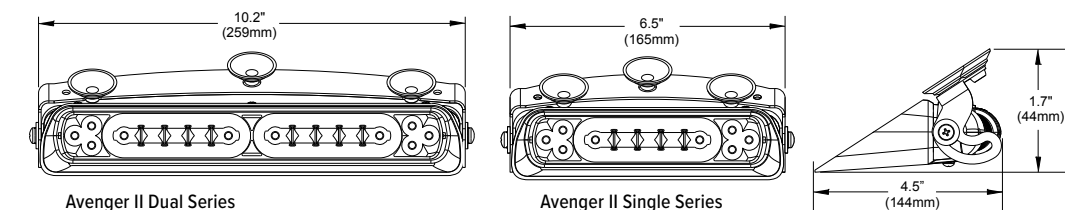
Consult current price list for full list of available options at whelen.com/literature

Replace * symbol in model number with letter indicating color desired: A=Amber, B=Blue, R=Red, C=White

Replace # in model number with interleaved color desired: D=Red/White, E=Blue/White, F=Amber/White, J=Red/Blue, K=Red/Amber, M=Blue/Amber



DIMENSIONS



SlimLighter®



FEATURES

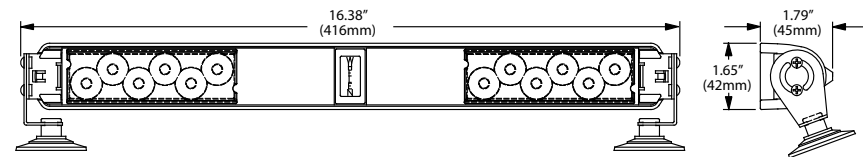
- Swivel bracket for permanent or suction cup mounting included
- Includes built-in pattern selection button, 10' straight cord with cigar plug and On/Off switch with LED "On" indicator
- Hard-coated lenses resist environmental damage from sand, sun, salt, and road chemicals

Model	Description
SLPMM**	Super-LED® Interior Light, Amber, Blue, Red, or White

Consult current price list for full list of available options at whelen.com/literature
 Replace * symbol in model number with letter indicating color desired: A=Amber, B=Blue, R=Red, C=White



DIMENSIONS



SpitFire ION™ Series



FEATURES

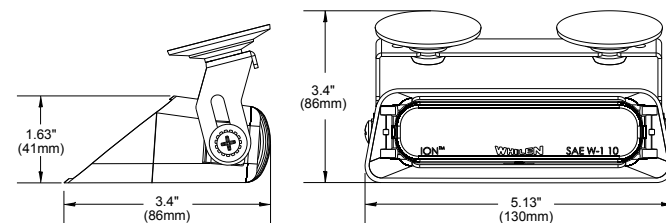
- Polycarbonate housing
- Solid-state electronics
- Conformal coated electronics
- Hard-coated lenses resist environmental damage from sand, sun, salt, and road chemicals
- Models include 10' cord with cigar plug with On/Off switch and Scan-Lock™ flash pattern switch

Model	Description
SFION*	Super-LED SpitFire ION, Amber, Blue, Red or White

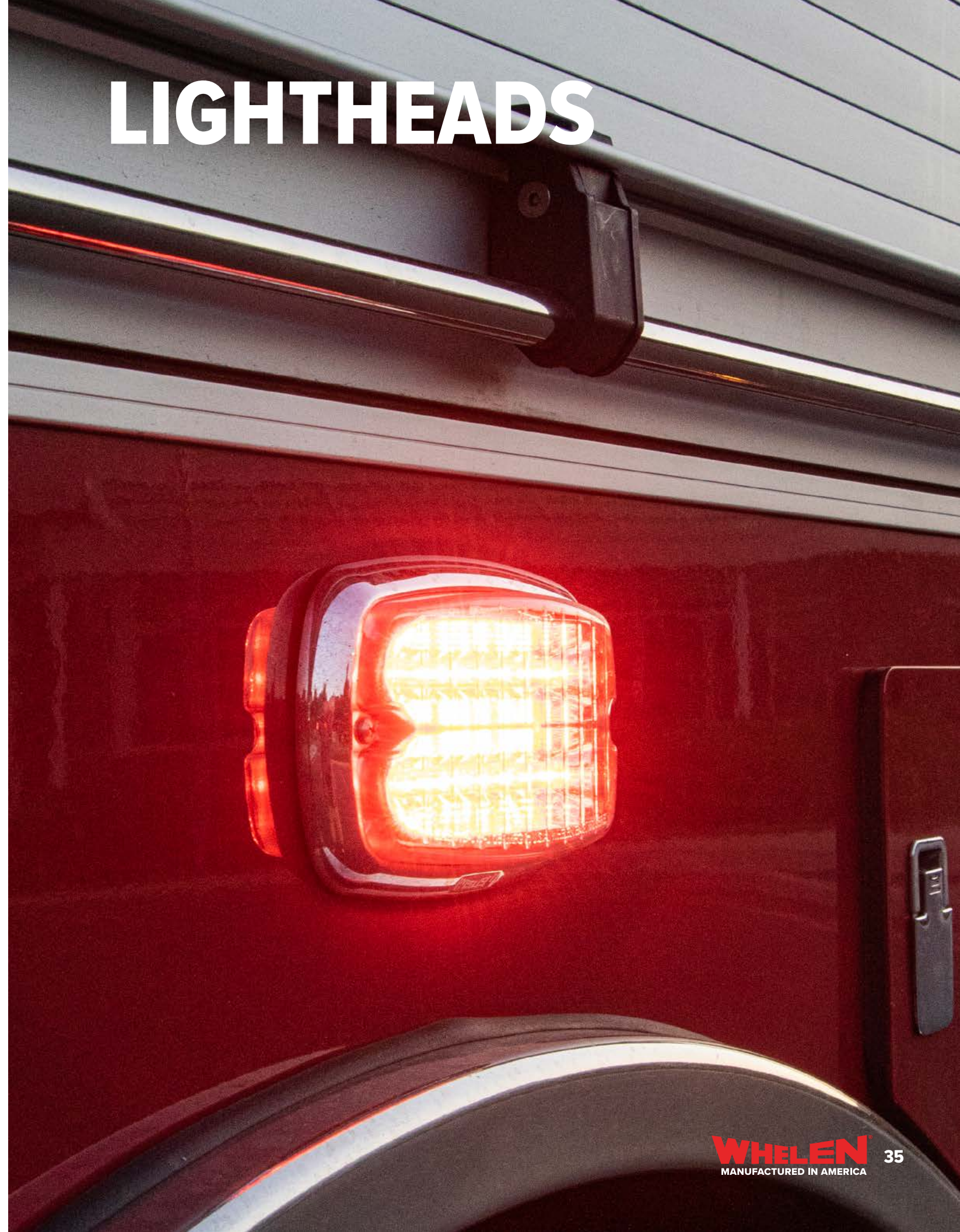
Consult current price list for full list of available options at whelen.com/literature
 Replace * symbol in model number with letter indicating color desired:
 A=Amber, B=Blue, R=Red, C=White



DIMENSIONS



LIGHTHEADS



M9 Series



FEATURES

- SAE Class 1 Certified
- Available in combination warning/scene light
- M9 V-Series™ models feature 2-in-1 combination warning and scene lighting
- Available with Clear or Color lenses
- Available in steady-burn or with an internal flasher
- Hard-coated lenses resist environmental damage from sand, sun, salt, and road chemicals
- Mounts to surface via two screws for easy installation
- A variety of mounting brackets and optional Chrome or Black flanges are available
- Dynamic Variable Intensity™ (DVI™) light patterns
- E Block™ technology prevents air and moisture from entering lighthouse

Models	Description
M9*	Internal Flasher, Color Lens, Amber, Red, Blue or White
M9*C	Internal Flasher, Clear Lens, Amber, Red or Blue
M9#	Split-Color, Internal Flasher, Clear Lens, Red/Amber, Red/Blue or Red/White
M9D#	DUO™, Internal Flasher, Clear Lens, Red/White, Blue/White, Amber/White, Red/Blue or Blue/Amber Only
M9*S	Steady-Burn, Color Lens, Amber, Red, Blue, or White
M9*CS	Steady-Burn, Clear Lens, Amber, Red or Blue
M92#	DUO, Internal Flasher, Clear Lens, Red/White, Blue/White, Amber/White, Red/Blue or Blue/Amber Only
M9*CZ	Combination Warning/Scene Light, Internal Flasher, Clear Lens, Amber, Red or Blue
M9JCZ	DUO, Combination Warning/Scene Light, Internal Flasher, Clear Lens, Red/Blue
M9V2*	V-Series, Combination 180° Warning/Scene Light, Internal Flasher, Color Warning Lens and Clear Illumination Lens, Amber, Red or Blue
M9V2*C	V-Series, Combination 180° Warning/Scene Light, Internal Flasher, Clear Lens, Amber, Red or Blue

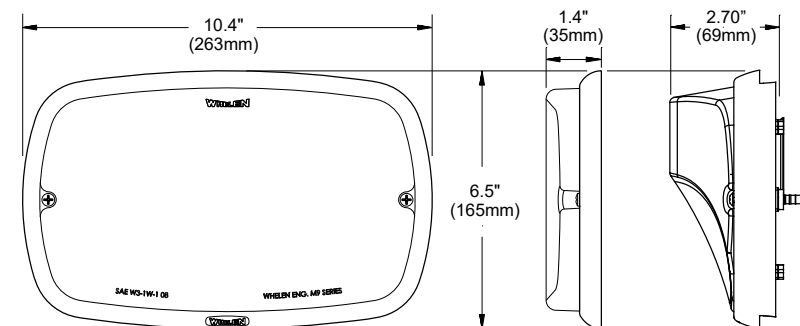
Consult current price list for full list of available options at whelen.com/literature

Replace * symbol in model number with letter indicating color desired: A=Amber, B=Blue, R=Red, C=White

Replace # in model number with interleaved color desired: D=Red/White, E=Blue/White, F=Amber/White, J=Red/Blue, K=Red/Amber, M=Blue/Amber



DIMENSIONS



M6 & M7 Series



FEATURES

- SAE Class 1 Certified
- Available in single or split-colors
- Available in combination warning/scene light
- Available with Clear or Color lenses
- Available in steady-burn or with an internal flasher
- M6 V-Series™ models feature 2-in-1 combination warning and perimeter lighting
- Mounts to surface via two screws for easy installation
- Hard-coated lenses resist environmental damage from sand, sun, salt, and road chemicals
- A variety of mounting brackets and optional Chrome or Black flanges are available
- Dynamic Variable Intensity™ (DVI™) light patterns
- E Block™ technology prevents air and moisture from entering lighthouse

Models	M6 Series Description
M6*	Internal Flasher, Color Lens, Amber, Red, Blue or White
M6*C	Internal Flasher, Clear Lens, Amber, Red or Blue
M6#	Split-Color, Internal Flasher, Clear Lens, Red/White, Amber/White, Red/Blue or Red/Amber
M6D#	DUO™, Internal Flasher, Clear Lens, Red/White, Blue/White, Amber/White, Red/Blue or Blue/Amber Only
M6*S	Steady-Burn, Color Lens, Amber, Red, Blue or White
M6*CS	Steady-Burn, Clear Lens, Amber, Red or Blue
M6V2*	V-Series, Combination 180° Warning/Scene Light, Internal Flasher, Color Warning Lens and Clear Illumination Lens, Amber, Red or Blue
M6V2*C	V-Series, Combination 180° Warning/Scene Light, Internal Flasher, Clear Lens, Amber, Red or Blue

Models	M7 Series Description
M7*	Internal Flasher, Color Lens, Amber, Red, Blue or White
M7*C	Internal Flasher, Clear Lens, Amber, Red or Blue
M7#	Split-Color, Internal Flasher, Clear Lens, Red/White, Amber/White, Red/Blue or Red/Amber
M7D#	DUO, Internal Flasher, Clear Lens, Red/White, Blue/White, Amber/White, Red/Blue or Blue/Amber Only
M7*S	Steady-Burn, Color Lens, Amber, Red, Blue or White
M7*CS	Steady-Burn, Clear Lens, Amber, Red or Blue

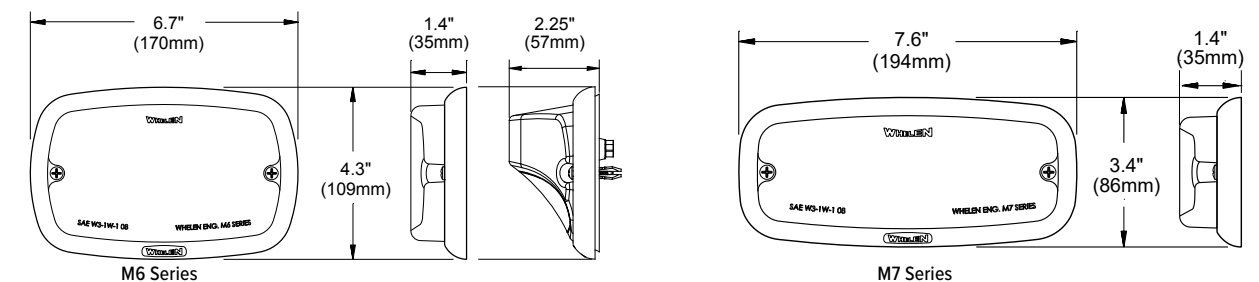
Consult current price list for full list of available options at whelen.com/literature

Replace * symbol in model number with letter indicating color desired: A=Amber, B=Blue, R=Red, C=White

Replace # in model number with interleaved color desired: D=Red/White, E=Blue/White, F=Amber/White, J=Red/Blue, K=Red/Amber, M=Blue/Amber



DIMENSIONS



M2 & M4 Series



FEATURES

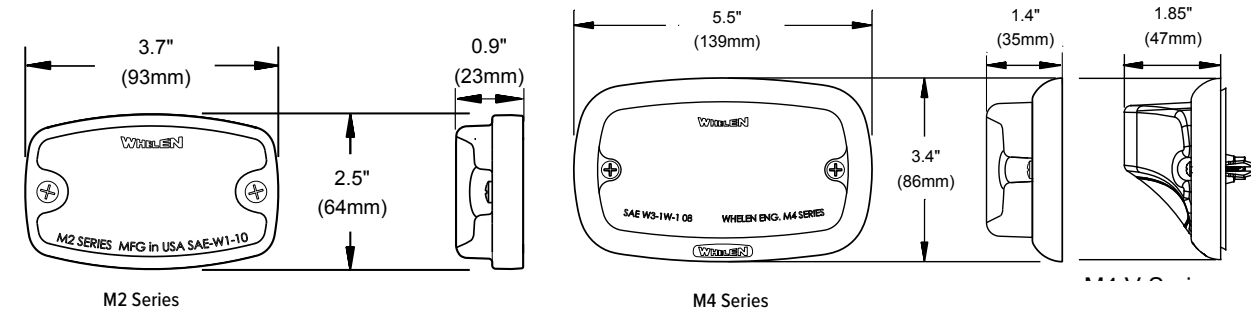
- Available in combination warning/scene light
- Hard-coated lenses resist environmental damage from sand, sun, salt, and road chemicals
- Mounts to surface via two screws for easy installation
- Available with Clear or Color lenses
- Available in steady-burn or with an internal flasher
- Dynamic Variable Intensity™ (DVI™) light patterns
- E Block™ technology prevents air and moisture from entering lighthouse

Models	M2 Series Description
M2*	Internal Flasher, Color Lens, Amber, Red, Blue or White
M2*C	Internal Flasher, Clear Lens, Amber, Red or Blue
ML2*	SOLO™, Internal Flasher, Color Lens, Amber, Red, Blue or White
M2#	Split-Color, Internal Flasher, Clear Lens, Red/White, Amber/White, Red/Blue or Red/Amber
ML2D#	DUO™, Internal Flasher, Clear Lens, Red/White, Blue/White, Amber/White, Red/Blue or Blue/Amber Only
M2W*	Wide-Angle Warning Light, Internal Flasher, Color Lens, Amber, Red or Blue
M2W*C	Wide-Angle Warning Light, Internal Flasher, Clear Lens, Amber, Red, Blue or White
M2W#	Wide-Angle Warning Light, Split-Color, Internal Flasher, Clear Lens, Red/White, Red/Blue or Red/Amber
Models	M4 Series Description
M4*	Internal Flasher, Color Lens, Amber, Red, Blue or White
M4*C	Internal Flasher, Color Lens, Amber, Red or Blue
M4#	Split-Color, Internal Flasher, Clear Lens, Red/White, Amber/White, Red/Blue or Red/Amber Only
M4D#	DUO, Internal Flasher, Clear Lens, Red/White, Blue/White, Amber/White, Red/Blue or Blue/Amber Only
M4*S	Steady-Burn, Color Lens, Amber, Red, Blue or White
M4*CS	Steady-Burn, Color Lens, Amber, Red or Blue
M4DW*	Combination Driving/Warning Light, Internal Flasher, Clear Lens, Red or Blue
M4DWJ	Combination Driving/Warning Light, Internal Flasher, Clear Lens, Red Over Blue
M4V2*	V-Series™, Combination 180° Warning/Scene Light, Internal Flasher, Color Lens, Amber, Red or Blue Warning

Consult current price list for full list of available options at whelen.com/literature
 Replace * symbol in model number with letter indicating color desired:
 A=Amber, B=Blue, R=Red, C=White
 Replace # in model number with interleaved color desired: D=Red/White, E=Blue/White,
 F=Amber/White, J=Red/Blue, K=Red/Amber, M=Blue/Amber



DIMENSIONS



400 Series



FEATURES

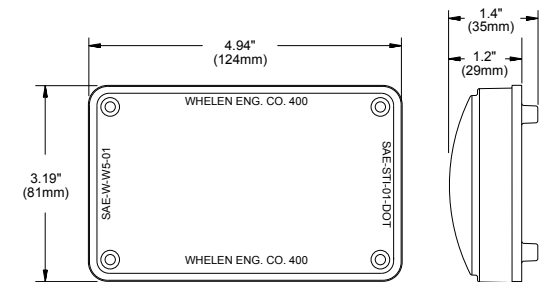
- Linear Super-LED® available in single or dual level warning
- Hard-coated lenses resist environmental damage from sand, sun, salt, and road chemicals
- Available with Clear or Color lenses
- Fully encapsulated

Models	Description
40**5SCR	Dual Level Linear Super-LED, Amber, Red, Blue or White
40*02Z*R	Single Level Linear Super-LED, Amber, Red, Blue or White
4V3*	V-Series™, Combination 180° Warning, Alley and Puddle Light, Amber, Red, Blue or White Warning

Consult current price list for full list of available options at whelen.com/literature
 Replace * symbol in model number with letter indicating color desired: A=Amber, B=Blue, R=Red, C=White



DIMENSIONS



500 Series



FEATURES

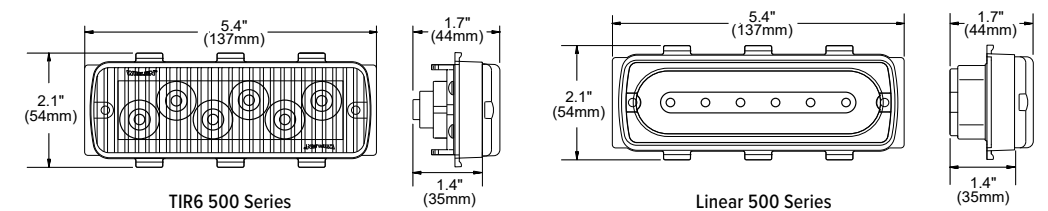
- Available with Linear Super-LED or TIR6™ optics
- Fully encapsulated
- Available with Clear or Color lenses
- Hard-coated lenses resist environmental damage from sand, sun, salt, and road chemicals
- Lighthoods require mounting flange

Models	Description
50*02Z*R	Linear Super-LED, Horizontal Mount, Warning, Amber, Blue, Red or White
50**2ZCR	Linear Super-LED, Horizontal Mount, Warning, Split-Color Red/Blue, Red/White or Blue/White
5V*02Z*R	Linear Super-LED, Vertical Mount, Warning, Red or White
50*03Z*R	TIR6, Super-LED Warning, Red or White
50**3ZCR	TIR6, Super-LED, Warning, Split-Color Red/Blue, Red/White or Blue/White
5V1*	V-Series and TIR Super-LED Warning, Red, White or Green
5V3*	V-Series Super-LED Warning, Alley/Flood and Puddle Light, Red or White with White Illumination

Consult current price list for full list of available options at whelen.com/literature
 Replace * symbol in model number with letter indicating color desired: A=Amber, B=Blue, R=Red, C=White, G=Green



DIMENSIONS



600 Series



FEATURES

- Linear Super-LED® or Rota-Beam™ models available
- Surface mount and recess mount models
- Available with Clear or Color lenses
- Available in steady-burn or with an internal flasher

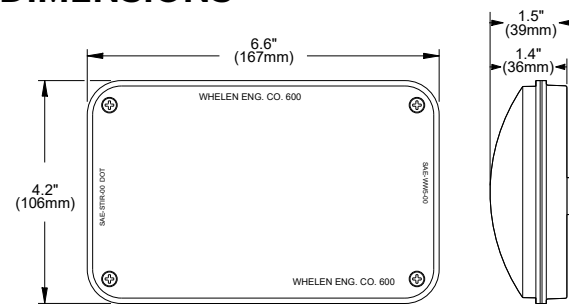
Models	Description
6RB*	Rota-Beam Oscillating Super-LED, Amber, Blue, Red or White, Color Lens
6RB*C	Rota-Beam Oscillating Super-LED, Amber, Blue, Red or White, Clear Lens
60*02S*R	Linear Super-LED, Amber, Blue, Red or White
60*02F*R	Linear Super-LED, Internal Flasher, Amber, Blue, Red or White
60RA6FCR	Linear Split-Color Super-LED, Red/Amber, Internal Flasher
60BR6FCR	Linear Split-Color Super-LED, Red/Blue, Internal Flasher
60RC6FCR	Linear Split-Color Super-LED, Red/White, Internal Flasher
60COELZR	Gradient Opti-Scenelight™, Recess Mount
6SCOENZR	Gradient Opti-Scenelight, Surface Mount

Consult current price list for full list of available options at whelen.com/literature

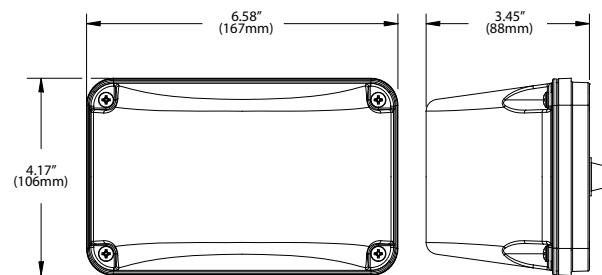
Replace * symbol in model number with letter indicating color desired: A=Amber, B=Blue, R=Red, C=White



DIMENSIONS



600 Series



600 Series Rota-Beam

700 Series



FEATURES

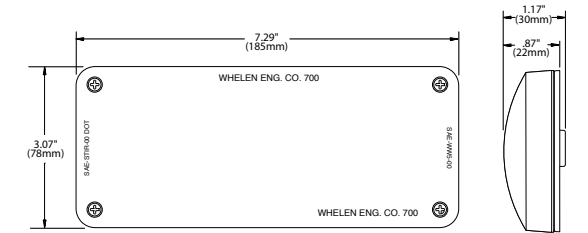
- Single or split-colors
- 100% solid-state electronics
- Mounts to surface via four screws
- Includes 6" pigtail
- Clear or Color lens
- Hard-coated lenses resist environmental damage from sand, sun, salt, and road chemicals

Models	Description
70*02S*R	Super-LED®, Amber, Blue, Red or White, Requires LED Flasher Purchased Separately
70*02F*R	Super-LED, Includes Internal Flasher, Amber, Blue, Red or White
70RA6FCR	Split-Color Red/Amber, Side By Side, Clear Outer Lens
70RC6FCR	Split-Color Red/White, Side By Side, Clear Outer Lens
70COELZR	Gradient Opti-Scenelight™, Recess Mount
7SCOENZR	Gradient Opti-Scenelight, Surface Mount
70CREGCS	Ambulance Interior Light, Red/White

Replace * symbol in model number with letter indicating color desired: A=Amber, B=Blue, R=Red, C=White



DIMENSIONS



900 Series



FEATURES

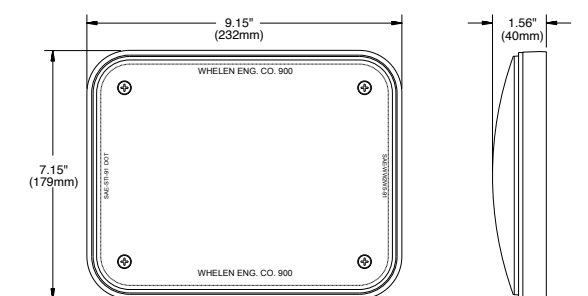
- Single or split-colors
- 100% solid-state electronics
- Mounts to surface via four screws
- Includes 6" pigtail
- Clear or Color lens

Models	Description
90**5S*R	Super-LED, Amber, Blue, Red or White, Requires LED Flasher Purchased Separately
90**5F*R	Super-LED, Includes Internal Flasher, Amber, Blue, Red or White
90RA5FCR	Split-Color Red/Amber, Over/Under with Clear Outer Lens
90RC5FCR	Split-Color Red/White, Over/Under with Clear Outer Lens
9SCOENZR	Gradient Opti-Scenelight, Surface Mount

Replace * symbol in model number with letter indicating color desired: A=Amber, B=Blue, R=Red, C=White



DIMENSIONS



ION™ Series



FEATURES

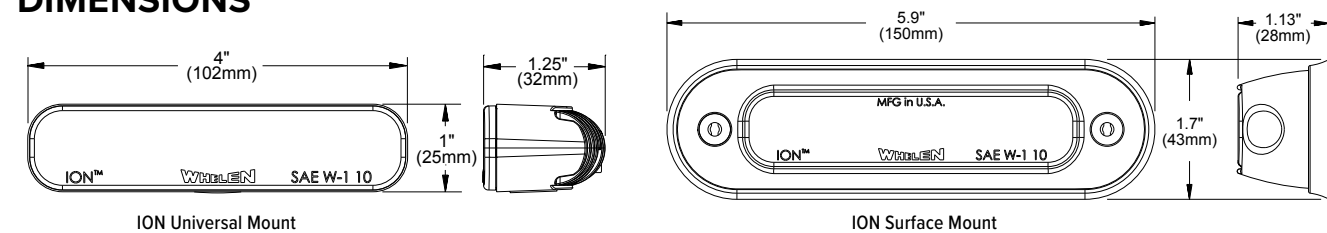
- SAE Class 1 Certified
- SOLO™ models available in single or split-colors
- DUO™ and TRIO™ models feature Linear Super-LED® optics
- Hard-coated lenses resist environmental damage from sand, sun, salt, and road chemicals
- Available with Smoked lenses
- Surface or universal mount

Models	Description
ION*	Directional Linear Super-LED, Universal Mount, Amber, Blue, Red or White
ION#	Directional Linear Split-Color Super-LED, Universal Mount, Red/Blue, Red/White or Blue/White
WION*	Wide-Angle Linear Super-LED, Universal Mount, Amber, Blue, Red or White
WION#	Wide-Angle Linear Super-LED, Universal Mount, Red/Blue, Red/White or Blue/White
IONSM*	Directional Linear Super-LED, Surface Mount, Amber, Blue, Red or White
IONSMC*	Directional Linear Super-LED, Surface Mount, Amber, Blue, Red or White
IONSM#	Directional Linear Super-LED, Surface Mount, Red/Blue, Red/White or Blue/White
IONSMC#	Directional Linear Super-LED, Surface Mount, Red/Blue, Red/White or Blue/White
WIONSM*	Wide-Angle Linear Super-LED, Surface Mount, Amber, Blue, Red or White
WIONSMC*	Wide-Angle Linear Super-LED, Surface Mount, Amber, Blue, Red or White
WIONSM#	Wide-Angle Linear Super-LED, Surface Mount, Red/Blue, Red/White or Blue/White
WIONSMCD	Wide-Angle Linear Super-LED, Surface Mount, Red/White
I2#	Linear DUO Super-LED, Universal Mount, Amber/White, Blue/White, Red/White, Blue/Red or Blue/Amber
I2SM#	Linear DUO Super-LED, Surface Mount, Amber/White, Blue/White, Red/White, Blue/Red or Blue/Amber
I3JC	Linear TRIO Super-LED, Universal Mount, Red/Blue/White
I3SM#*	Linear TRIO Super-LED, Surface Mount, Red/Blue/White

Consult current price list for full list of available options at whelen.com/literature
 Replace * symbol in model number with letter indicating color desired: A=Amber, B=Blue, R=Red, C=White
 Replace # in model number with interleaved color desired: D=Red/White, E=Blue/White, F=Amber/White, J=Red/Blue, K=Red/Amber, M=Blue/Amber



DIMENSIONS



ION™ T-Series



FEATURES

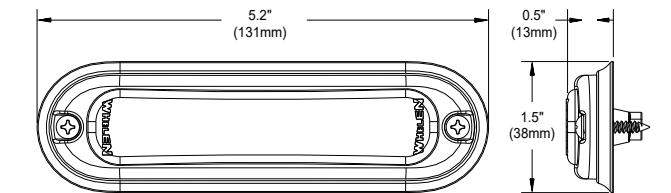
- SAE Class 1 Certified
- Linear Super-LED® optics
- Available in SOLO™, DUO™ and TRIO™ models
- Hard-coated lenses resist environmental damage from sand, sun, salt, and road chemicals
- SOLO models available in single or split-colors
- Available with Smoked lenses
- Easily mounts to the surface via two screws
- Includes Black flange
- E Block™ technology prevents air and moisture from entering lighthouse

Models	Description
TLI*	SOLO, Amber, Blue, Red or White
TLI#	SOLO, Split-Color, Red/White, Blue/White, Amber/White, Red/Blue or Amber/Blue
TLI2#	DUO, Red/White, Blue/White, Amber/White, Red/Blue or Amber/Blue
TLI3JC#*	TRIO, Red/Blue/White, Red/Blue/Amber, Red/Amber/White or Blue/Amber/White

Consult current price list for full list of available options at whelen.com/literature
 Replace * symbol in model number with letter indicating color desired:
 A=Amber, B=Blue, R=Red, C=White
 Replace # in model number with interleaved color desired: D=Red/White, E=Blue/White, F=Amber/White, J=Red/Blue, K=Red/Amber, M=Blue/Amber



DIMENSIONS



ION Mini T-Series™



FEATURES

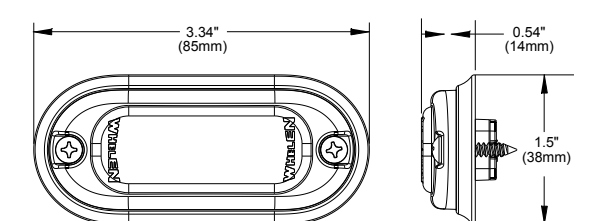
- SAE Class 1 Certified
- Linear Super-LED® optics
- Available in SOLO™ or DUO™ models
- Hard-coated lenses resist environmental damage from sand, sun, salt, and road chemicals
- Easily mounts to the surface via two screws
- Includes Black flange
- Available with Smoked lenses
- E Block™ technology prevents air and moisture from entering lighthouse

Models	Description
TLMI*	SOLO, Amber, Blue, Red or White
TLMI2#	DUO, Red/White, Blue/White, Amber/White, Red/Blue or Amber/Blue

Consult current price list for full list of available options at whelen.com/literature
 Replace * symbol in model number with letter indicating color desired:
 A=Amber, B=Blue, R=Red, C=White
 Replace # in model number with interleaved color desired: D=Red/White, E=Blue/White, F=Amber/White, J=Red/Blue, K=Red/Amber, M=Blue/Amber



DIMENSIONS



ION™ V-Series™



FEATURES

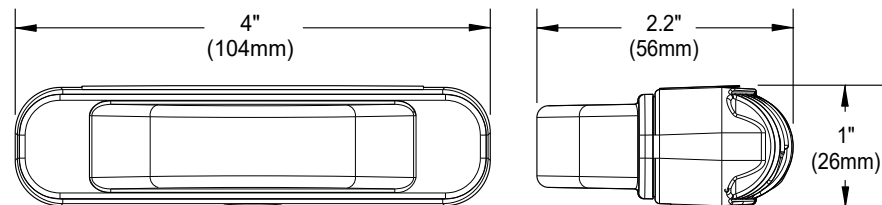
- SAE Class 1 Certified
- Linear Super-LED® optics
- Available in 3-in-1 combination warning, spotlight, and ground illumination light or in single-color warning-only models
- Black, White or Chrome housing
- Single-color models have combination 180° and TIR directional warning
- Hard-coated lenses resist environmental damage from sand, sun, salt, and road chemicals
- Available with Smoked lenses

Models	Description
IONV3*	Universal Mount, Black Housing, Amber, Blue, Red or White with White Illumination
IONSV3*	Surface Mount, Black Housing, Amber, Blue, Red or White with White Illumination
IONSV3*W	Surface Mount, White Housing, Amber, Blue, Red or White with White Illumination
IONSV3*C	Chrome Housing, Surface Mount, Amber, Blue, Red or White with White Illumination
IONV1*	Linear and TIR Super-LED, Universal Mount, Black Housing, Amber, Blue, Red or White
IONSV1*	Linear and TIR Super-LED, Surface Mount, Black Housing, Amber, Blue, Red or White
IONSV1*C	Linear and TIR Super-LED, Surface Mount, Chrome Housing, Amber, Blue, Red or White

Consult current price list for full list of available options at whelen.com/literature
 Replace * symbol in model number with letter indicating color desired: A=Amber, B=Blue, R=Red, C=White



DIMENSIONS



Universal Mount

Micron™ Series



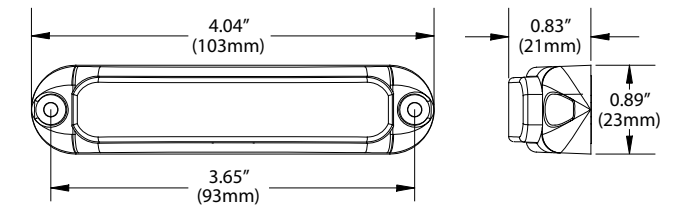
Stud Mount

FEATURES

- Easily mounts to surface via two screws
- Linear Super-LED® optics
- Fully encapsulated
- Hard-coated lenses resist environmental damage from sand, sun, salt, and road chemicals

Models	Description
MCRNS*	Surface Mount, Black Flange, Amber, Blue, Red or White
MCRNSC*	Surface Mount, Chrome Flange, Amber, Blue, Red or White
MCRNS#	Surface Mount, Linear Split-Color Super-LED, Black Flange, Amber/Red, Blue/Red or Red/ White
MCRNSC#	Surface Mount, Linear Split-Color Super-LED, Chrome Flange, Amber/Red, Blue/Red or Red/ White
MCRNT*	Stud Mount, Amber, Blue, Red or White
MCRNT#	Stud Mount, Linear Split-Color Super-LED, Amber/Red, Blue/Red or Red/ White

DIMENSIONS



Consult current price list for full list of available options at whelen.com/literature
 Replace * symbol in model number with letter indicating color desired: A=Amber, B=Blue, R=Red, C=White
 Replace # in model number with interleaved color desired: D=Red/White, F=Amber/White, J=Red/Blue, K=Red/Amber



V23™ Series



FEATURES

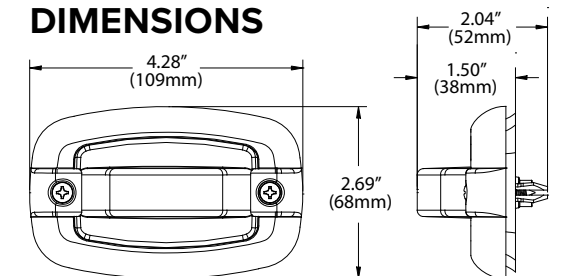
- Models have 3-in-1 180° wide-angle warning, illumination, and puddle light
- Hard-coated lenses resist environmental damage from sand, sun, salt, and road chemicals
- Easily mounts to surface via two screws for easy installation
- Available with Smoked lenses
- Available in steady-burn or with an internal flasher

Models	Description
V23*TPB	V-Series™ Super-LED® Red or White with White Illumination, Includes Black Flange
V23*TPC	V-Series Super-LED, Red or White with White Illumination, Includes Chrome Flange
V23P20B	20° Angled Surface Mount Housing, Black
V23P20C	20° Angled Surface Mount Housing, Chrome

Consult current price list for full list of available options at whelen.com/literature
 Replace * symbol in model number with letter indicating color desired: A=Amber, B=Blue, R=Red, C=White



DIMENSIONS



Strip-Lite™ Plus

5YR 12 IP67 NFPA 1901 SAE CLASS 1 HARD COAT SCAN LOCK STEADY BURN SOLO DUO



FEATURES

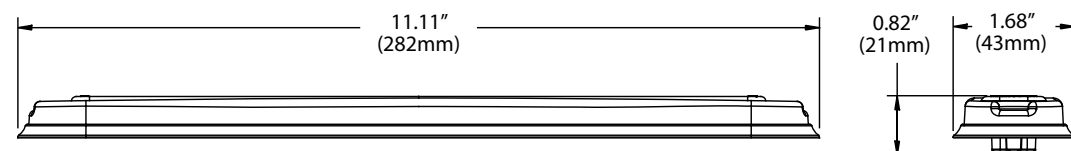
- Meets SAE Class 1 specifications
- Available in SOLO™ (single-color) or DUO™ (two-color) models
- SOLO models have 25 Scan-Lock™ flash patterns, including steady-burn
- DUO models have 69 Scan-Lock flash patterns, including steady-burn
- Hard-coated lenses resist environmental damage from sand, sun, salt, and road chemicals
- Easily mounts to surface via two screws with included Black flange
- Chrome flange option available
- Symmetrical center positioned wire exit
- Includes a 12" pigtail
- Sequencing features: left, right, split, and 11 Scan-Lock flashing patterns
- E Block™ technology prevents air and moisture from entering lighthouse

Models	Description
PS*01FCR	SOLO, Red, Blue, Amber or White, Clear Lens
PS#02FCR	DUO, Amber/Blue, Amber/White, Blue/White, Red/Blue, Red/Amber or Red/White
PSSEQACR	Sequencing Light, Amber, Clear Lens
PSCOMPL	Compartment Light, Low Intensity
PSCOMPH	Compartment Light, High Intensity
PSFC	Optional, Chrome Flange

Consult current price list for full list of available options at whelen.com/literature
 Replace * symbol in model number with letter indicating color desired: A=Amber, B=Blue, R=Red, C=White
 Replace # in model number with interleaved color desired: D=Red/White, E=Blue/White, F=Amber/White, J=Red/Blue, K=Red/Amber, M=Blue/Amber



DIMENSIONS



Strip-Lite™ Plus XL

5YR 12 IP67 NFPA 1901 SAE CLASS 1 HARD COAT SCAN LOCK



FEATURES

- Current volume level features full intensity illumination, while the rest of lighthouse is ghosted
- Low power mode
- Hard-coated lenses resist environmental damage from sand, sun, salt, and road chemicals
- Easily mounts to surface via two screws with included Black flange
- Optional Chrome flange available
- Symmetrical center positioned wire exit
- Includes a 12" pigtail
- E Block™ technology prevents air and moisture from entering lighthouse

Model	Description
PSTANK2	Fluid Level Indicator Light, Steady-Burn, Green, Blue, Amber and Red LEDs

Consult current price list for full list of available options at whelen.com/literature



DIMENSIONS



LINV2™ V-Series™

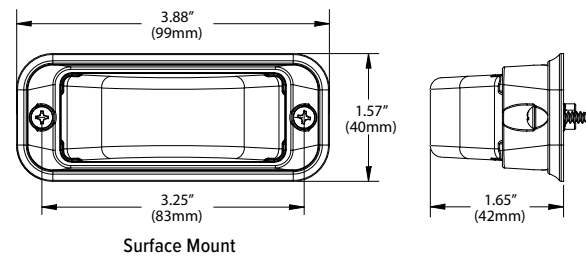


FEATURES

- Combination 180° warning and puddle light
- Includes Black flange
- Fully encapsulated
- Hard-coated lenses resist environmental damage from sand, sun, salt, and road chemicals



DIMENSIONS



Models	Description
LINV2*	Surface Mount, Super-LED®, Red or White
LINSV2*	Under Surface Mount, Super-LED, Red or White

Consult current price list for full list of available options at whelen.com/literature
 Replace * symbol in model number with letter indicating color desired: R=Red, C=White



OS™ Series

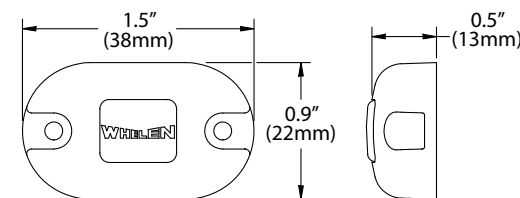


FEATURES

- Fully encapsulated
- Includes Chrome housing
- Clear outer lens, Color LEDs



DIMENSIONS



Models	Description
OS*00MCR	Amber or Red Marker/Clearance Light with Clear Lens
OS*00FCR	Amber, Blue, Red or White Single Flash and Clear Lens
OS*00SCR	Steady-Burn and Clear Lens
OSCOEDCR	White Illumination Light with Clear Lens
OACOEDCR	White Illumination Light with Clear Lens and 45° Angled Chrome-Plated Bezel

Replace * symbol in model number with letter indicating color desired: A=Amber, B=Blue, R=Red, C=White



Vertex™ Series



FEATURES

- Available as an omni-directional, side emitter, or directional lighthouse
- Designed to mount in composite style headlight or taillight, or surface mount to exterior surfaces with flange mount option
- Fully encapsulated

- Hard-coated lenses resist environmental damage from sand, sun, salt, and road chemicals
- Clear outer lens, Color LEDs
- Available with Smoked lenses

Models	Description
VTX609*	Recess or Surface Mount, Omni-Directional Super-LED®, Amber, Blue, Red or White
VTX9#	Recess or Surface Mount, Omni-Directional Super-LED, Split Amber, Blue, Red or White
VTXD609*	Recess or Surface Mount, Directional/Side Emitting Shield Super-LED, Amber, Blue, Red or White
VTX3609*	Recess Mount, 360° Side Emitter Super-LED, Amber, Blue, Red or White
Options	Description
VTXFB	Flange Kit, Surface Mount, Black
VTXFC	Flange Kit, Surface Mount, Chrome

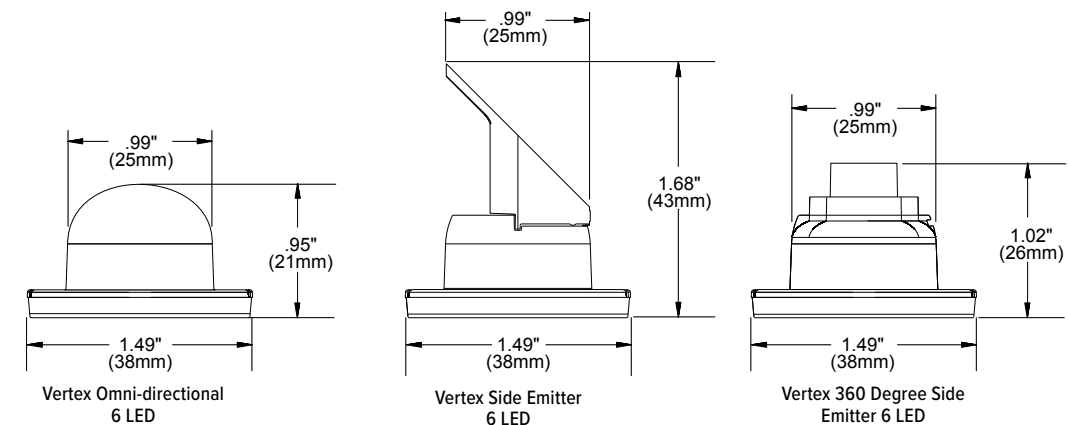
Consult current price list for full list of available options at whelen.com/literature

Replace * symbol in model number with letter indicating color desired: A=Amber, B=Blue, R=Red, C=White

Replace # in model number with interleaved color desired: D=Red/White, E=Blue/White, F=Amber/White, J=Red/Blue, K=Red/Amber, M=Blue/Amber



DIMENSIONS



4" Round Series



FEATURES

- Hard-coated lenses resist environmental damage from sand, sun, salt, and road chemicals
- Supplied with adapter for PAR-36 (4.5") applications
- Fully encapsulated mounting hardware

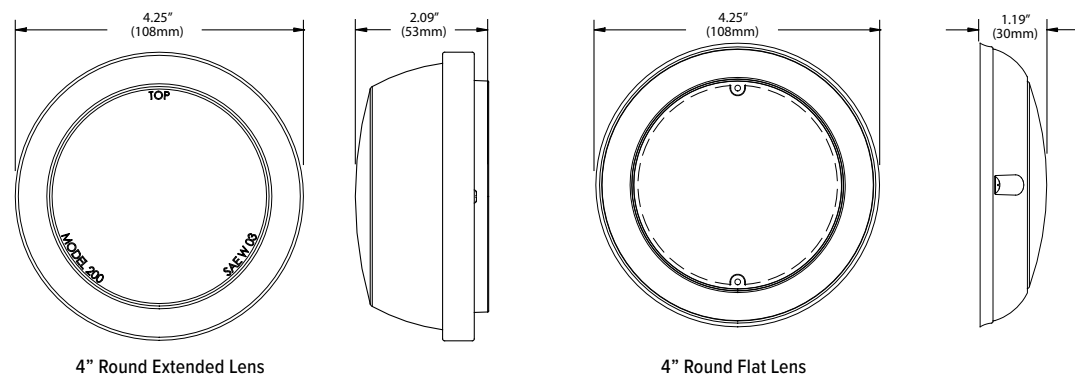
Models	Description
2F*00Z*R	Flat Lens, TIR6™ Super-LED®, Amber, Blue, Red or White
2E*00Z*R	Extended Lens, LINZ6™ Super-LED, Amber, Blue, Red or White
2E#00ZCR	Extended Lens, LINZ6 Super-LED, Red/Blue, Red/White or Blue/White

Consult current price list for full list of available options at whelen.com/literature

Replace * symbol in model number with letter indicating color desired: A=Amber, B=Blue, R=Red, C=White
 Replace # in model number with interleaved color desired: D=Red/White, E=Blue/White, J=Red/Blue



DIMENSIONS



2" Round Series



FEATURES

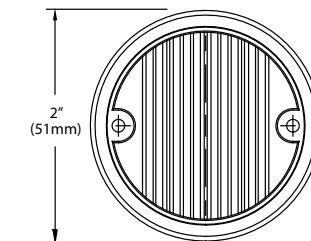
- Hard-coated lenses resist environmental damage from sand, sun, salt, and road chemicals
- Fully encapsulated
- Includes recessed Black flange
- Optional Chrome flange available

Models	Description
TOA00MAR	2" Round, LED, Marker or Clearance Light, Amber
TOR00MRR	2" Round, LED, Marker or Clearance Light, Red
TFLANGEC	Flange Kit, Surface Mount, Chrome

Consult current price list for full list of available options at whelen.com/literature



DIMENSIONS



3" Round Series



FEATURES

- Hard-coated lenses resist environmental damage from sand, sun, salt, and road chemicals
- Available with Clear or Color lenses

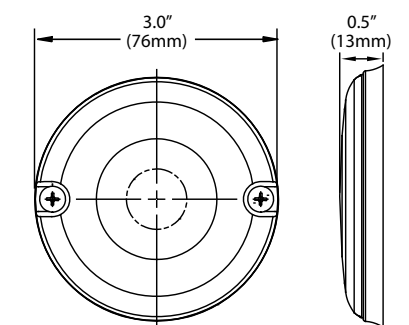
Model	Description
3S*00F*R	3" Round Surface Mount LED, Amber, Blue, Red or White

Consult current price list for full list of available options at whelen.com/literature

Replace * symbol in model number with letter indicating color desired: A=Amber, B=Blue, R=Red, C=White



DIMENSIONS



TIR3™, LIN3™, & LINZ6™ Series



FEATURES

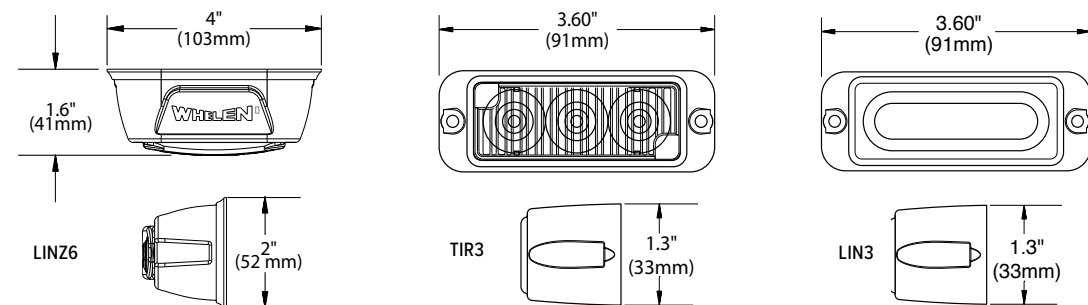
- Hard-coated lenses resist environmental damage from sand, sun, salt, and road chemicals
- Fully encapsulated

Models	Description
RS*03ZCR	Horizontal Surface Mount, TIR3™ Super-LED®, Amber, Blue, Red or White
RV*03ZCR	Vertical Surface Mount, TIR3 Super-LED, Amber, Blue, Red or White
RS*02ZCR	Horizontal Surface Mount, LIN3™ Super-LED, Amber, Blue, Red or White
LINZ6*	Horizontal Surface Mount, LINZ6™ Super-LED, Amber, Blue, Red or White
LINZ6#	Horizontal Surface Mount, LINZ6 Super-LED, Red/White, Red/Blue or Red/Amber
LINZ61	Horizontal Surface Mount, LINZ6 Super-LED, Amber/Amber
LINZ62	Horizontal Surface Mount, LINZ6 Super-LED, Blue/Blue
LINZ65	Horizontal Surface Mount, LINZ6 Super-LED, Red/Red

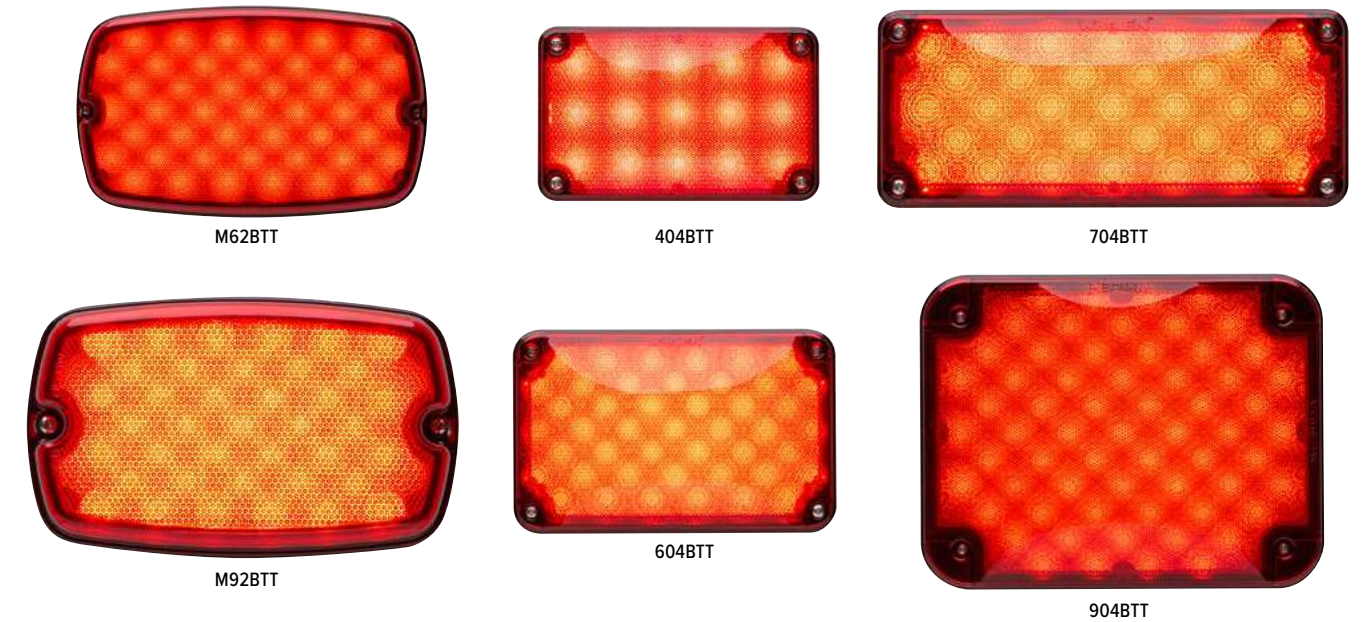
Consult current price list for full list of available options at whelen.com/literature
 Replace * symbol in model number with letter indicating color desired: A=Amber, B=Blue, R=Red, C=White
 Replace # in model number with interleaved color desired: D=Red/White, J=Red/Blue, K=Red/Amber



DIMENSIONS



Brake/Tail/Turn Lights



FEATURES

- Fully encapsulated for moisture, vibration, and corrosion resistance
- Hard-coated lenses minimize environmental damage from sand, sun, salt, and road chemicals
- E Block™ technology prevents air and moisture from entering the lighthead

- Surface mounts via two screws for easy installation
- A variety of mounting brackets and optional Black and Chrome flanges are available
- Meets SAE requirements

Models	Description
M62BTT	M6 Series, LED, Red
M92BTT	M9 Series, LED, Red
404BTT	400 Series, LED, Red
604BTT	600 Series, LED, Red
704BTT	700 Series, LED, Red
904BTT	900 Series, LED, Red

Consult current price list for full list of available options at whelen.com/literature



OPTIONS



PLAST3V Flange

PLAST4V Flange

Turn Signals



M92T



604T



904T



704T



M62T

FEATURES

- Mounts to surface via two or four screws
- Arrows may be mounted left or right
- Hard-coated lenses minimize environmental damage from sand, sun, salt, and road chemicals
- E Block™ technology prevents air and moisture from entering the lighthouse

- Surface mounts via two screws for easy installation
- Variety of mounting brackets and optional Black and Chrome flanges are available
- Meets SAE requirements

Models	Description
M62T	M6 Series, Amber LED, Turn Light
M92T	M9 Series, Amber LED, Turn Light
404T	400 Series, Amber LED, Turn Light
604T	600 Series, Amber Turn Signal, Populated Arrow
704T	700 Series, Amber Turn Signal, Sequential Chevron Arrow
904T	900 Series, Amber Turn Signal, Populated Left/Right Arrow

Consult current price list for full list of available options at whelen.com/literature



Back-Up Lights



M62BU



M92BU



604BU



404BUH



704BU



5GC00WCR



404BUV

FEATURES

- Fully encapsulated for moisture, vibration, and corrosion resistance
- Hard-coated lenses minimize environmental damage from sand, sun, salt, and road chemicals
- E Block™ technology prevents air and moisture from entering the lighthouse

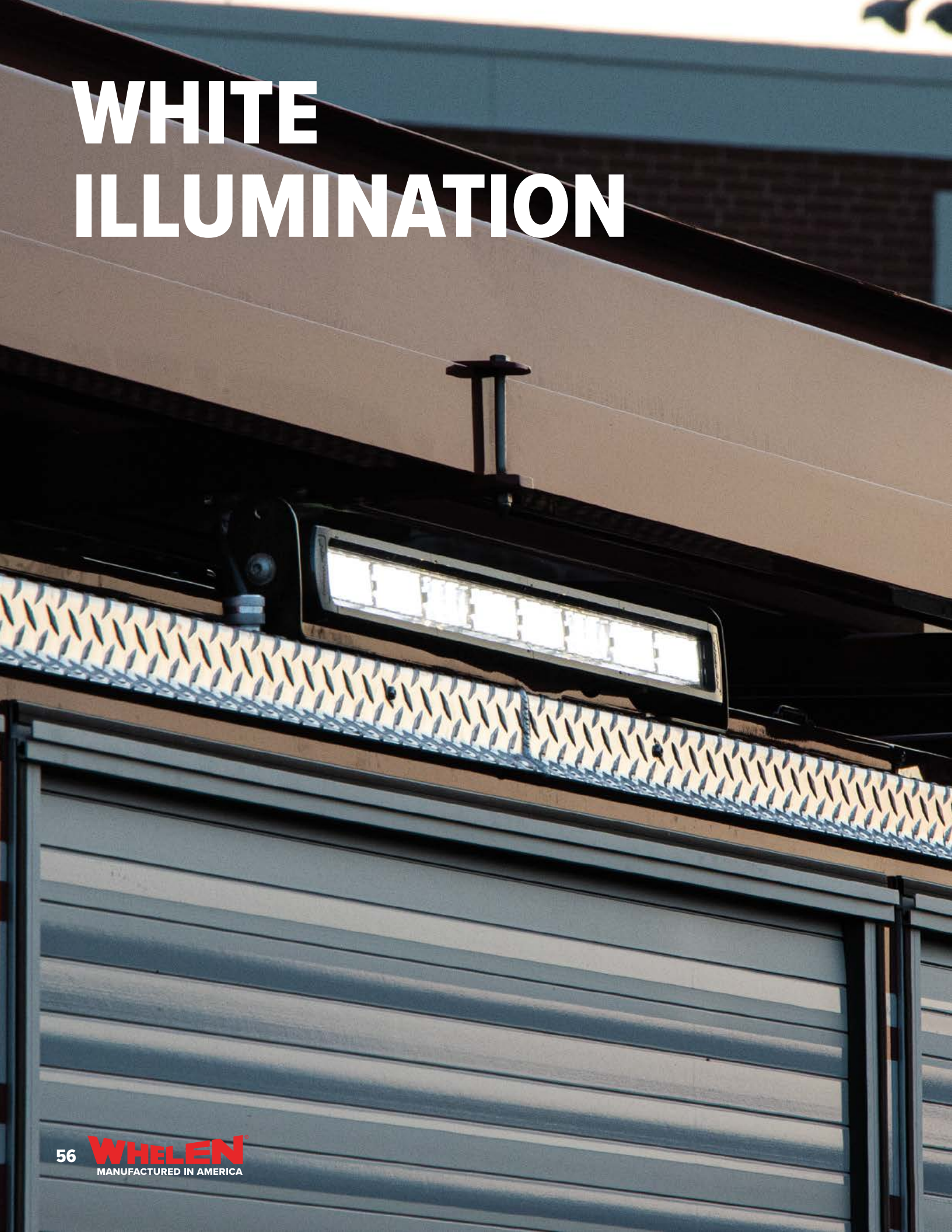
- Surface mounts via two screws for easy installation
- A variety of mounting brackets and optional Black and Chrome flanges are available
- Meets SAE requirements

Models	Description
5GC00WCR	5G Series, Super-LED®, White
M62BU	M6 Series, Super-LED, White
M92BU	M9 Series, Super-LED, White
404BUH	400 Series, Super-LED, White, Horizontal Mount
404BUV	400 Series, Super-LED, White, Vertical Mount
604BU	600 Series, LED, White
704BU	700 Series, LED, White

Consult current price list for full list of available options at whelen.com/literature



WHITE ILLUMINATION



Interior Lights

5YR 12



86CE1



5GCOCCR



PSCOMPL



PSCOMPH



20C0CDR



TOCACCR



F18PC

Models	Description
86CE1	Rectangular Interior Dome Super-LED®, White
TOCACCCR	2" Round 5mm LED Compartment Light, White
20C0CDR	2G Series, Super-LED (4" Round) Compartment Light, 12 Diodes, White
20C0CDCD	2G Series, Super-LED (4" Round) Compartment Light, with Deutsch® Connector, 12 Diodes, White
5GCOCCR	5G Series, Super-LED Compartment Light, White
F09PC	Fluorent Plus™ Super-LED 9" Compartment Tube Lighting, White
F18PC	Fluorent Plus Super-LED 18" Compartment Tube Lighting, White
F27PC	Fluorent Plus Super-LED 27" Compartment Tube Lighting, White
F36PC	Fluorent Plus Super-LED 36" Compartment Tube Lighting, White
F45PC	Fluorent Plus Super-LED 45" Compartment Tube Lighting, White
F54PC	Fluorent Plus Super-LED 54" Compartment Tube Lighting, White
F63PC	Fluorent Plus Super-LED 63" Compartment Tube Lighting, White
PSCOMPL	Strip-Lite™ Plus Surface Mount Super-LED Compartment Light, Low Intensity
PSCOMPH	Strip-Lite Plus Surface Mount Super-LED Compartment Light, High Intensity

Consult current price list for full list of available options at whelen.com/literature
See model-specific pages for dimensions



Arges® Remote Spotlight

2YR MOTOR ONLY 5YR 12 WECAN X PROCLERA ProFocus.

ARGES®

FEATURES

- Innovative mechanical design provides 360° of continuous rotation and a 180° tilt range
- ProFocus™ Models: 5° spot to 60° flood variable beam width
- Spotlight Models: 5° spot
- Proclera® Silicone Optics
- Black die-cast aluminum housing
- CenCom Core® and WeCanX® compatible
- Drivetrain is electronically and mechanically protected

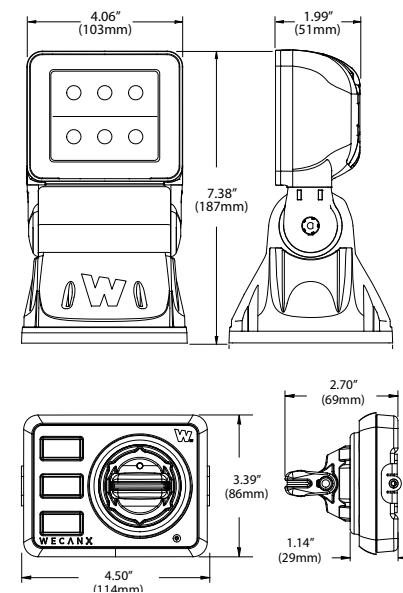


- Arges installs quickly and requires no A-pillar drilling or airbag interference
- Includes two 18" power control harnesses and one 12" communication cable
- Control head features a paddle and three push-buttons
- Program Arges with Whelen Command® or use alone with its paired control head
- Full Arges system passes CISPR 25 Class 3

Models	Description
ARGES1	5° Spotlight with Proclera Silicone Optics
ARGES2	ProFocus™, select from Spot/Flood Combination Light or Floodlight from the Control Head
ARGCH1	Control Head for Arges, Bail Bracket
ARGCH2	Control Head for Arges, Swivel Mount
ARGFM	Flat Mount, Universal
ARGFMKT	Arges Kit, Includes ARGES1 Spotlight, ARGCH1 Control Head and ARGFM Flat Mount
ARGLB1	Lightbar Mounting Bracket for Legacy®, Liberty™ II, Justice® and Freedom® IV Series Lightbars, ARGES with Flat Mount Purchased Separately
ARGLB2	Lightbar Mounting Bracket for Cenator® Series Lightbars, ARGES with Flat Mount Purchased Separately
ARG49D	Chevy Silverado 1500, 2019-2022, Driver Side Fender Mount
ARG49BD	Chevy Silverado 2500/3500, 2020-2022, Driver Side Fender Mount
ARG45D	Chevy Tahoe, 2015-2020, Driver Side Fender Mount
ARG45P	Chevy Tahoe, 2015-2020, Passenger Side Fender Mount
ARG35D	Dodge Charger, 2016-2022, Driver Side Fender Mount
ARG44AD	Dodge Durango, 2015-2022, Driver Side Fender Mount
ARG44AP	Dodge Durango, 2015-2023, Passenger Side Fender Mount
ARG42D	Ram 1500/2500/3500, 2014-2018 and Ram 1500 (Classic), 2019-2021, Driver Side Fender Mount
ARG34D	Ford Police Interceptor Utility, 2016-2019, Driver Side Fender Mount
ARG50D	Ford Police Interceptor Utility, 2020-2022, Driver Side Fender Mount
ARG50P	Ford Police Interceptor Utility, 2020-2022, Passenger Side Fender Mount
ARG47D	Ford F-150, 2019, Driver Side Fender Mount
ARG47CD	Ford F-150, 2021-2023, Driver Side Fender Mount
ARG47BD	Ford F-250/F-350/F-450 Super-Duty, 2019-2022, Driver Side Fender Mount
ARG47BP	Ford F-250/F-350/F-450 Super-Duty, 2019-2022, Passenger Side Fender Mount
ARG48D	Ford Expedition, 2018-2022, Driver Side Fender Mount



DIMENSIONS



PAR Replacement Lamps

5YR 12 24 HARD COAT



FEATURES

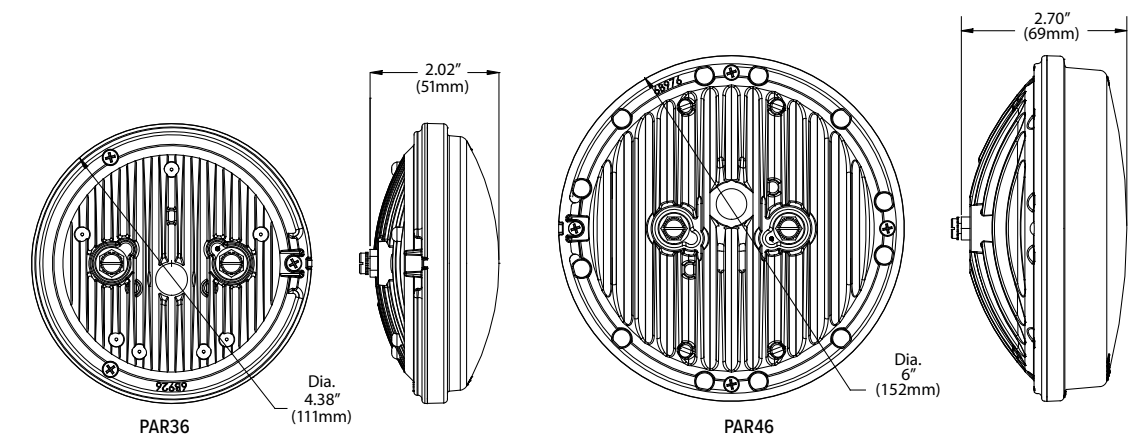
- Hard-coated lenses resist environmental damage from sand, sun, salt, and road chemicals
- Handheld units includes 90lb pull magnet mount
- Available with Clear or Smoked lenses
- Includes 6" pigtail

Models	Description	Lumens
P46SC	PAR-46 Replacement, 2° Spotlight (Replaces P46SLC)	3,560
P46SCX	PAR-46 Replacement, 2° Spotlight, Smoked Lens (Replaces P46SLCX)	
P46FLC	PAR-46 Super-LED, 8° Spotlight, White	1,947
P46FLCX	PAR-46 Super-LED, 8° Spotlight, with Smoked Lens, White	
P46WLC	PAR-46 Super-LED, 20° x 60° Floodlight, White	
P46WLCX	PAR-46 Super-LED, 20° x 60° Floodlight, with Smoked Lens, White	
P46S2*	PAR-46 Super-LED, 8° Spotlight with Blue or Red Warning	-
P46S2X2	PAR-46 Super-LED, 8° Spotlight with California Steady Red	-
P46S2*3	PAR-46 Super-LED, 8° Spotlight with Blue or Red Warning	-
P36SLC	PAR-36 Super-LED, 2° Spotlight, White	779

Consult current price list for full list of available options at whelen.com/literature
 Replace * symbol in model number with letter indicating color desired: B=Blue, R=Red, C=White



DIMENSIONS



PAR-36 & PAR-46



FEATURES

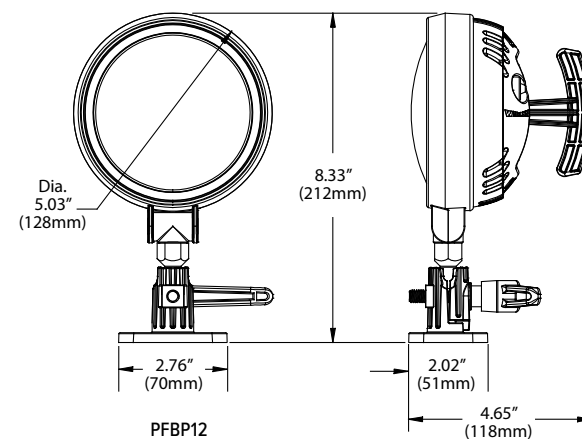
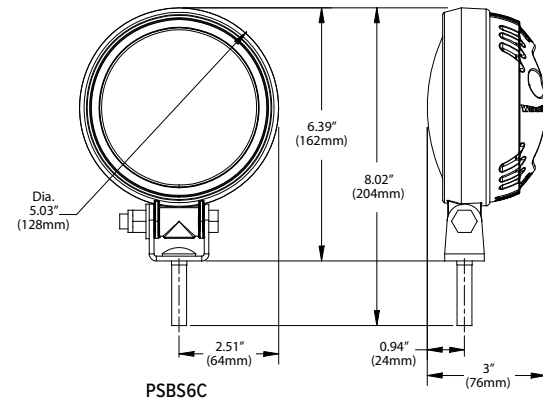
- Floodlight or spotlight models
- Black die-cast aluminum housing
- Hard-coated lenses resist environmental damage from sand, sun, salt, and road chemicals
- Indexing locking lever on pedestal swivel
- Super-LED® with low current draw
- Stainless steel bracket and hardware included
- Two intensities available



Models	Description	Lumens
PFBP12	12 Super-LED Floodlight, Black Housing	1,724
PFBP12C	12 Super-LED Floodlight, Black Housing, Chrome Rear Cover	
PFBP6	6 Super-LED Floodlight, Black Housing	862
PFBP6C	6 Super-LED Floodlight, Black Housing, Chrome Rear Cover	
PFBS12	12 Super-LED Floodlight, Black Housing	1,724
PFBS12C	12 Super-LED Floodlight, Black Housing, Chrome Rear Cover	
PFBS6	6 Super-LED Floodlight, Black Housing	862
PFBS6C	6 Super-LED Floodlight, Black Housing, Chrome Rear Cover	
PFBS6S	6 Super-LED Floodlight, Black Housing, Switch	
PFBS12S	12 Super-LED Floodlight, Black Housing, Switch	1,724
PSBP12	12 Super-LED Spotlight, Black Housing	
PSBP12C	12 Super-LED Spotlight, Black Housing, Chrome Rear Cover	862
PSBP6	6 Super-LED Spotlight, Black Housing	
PSBP6C	6 Super-LED Spotlight, Black Housing, Chrome Rear Cover	1,724
PSBS12	12 Super-LED Spotlight, Black Housing	
PSBS12C	12 Super-LED Spotlight, Black Housing, Chrome Rear Cover	862
PSBS6	6 Super-LED Spotlight, Black Housing	
PSBS6C	6 Super-LED Spotlight, Black Housing, Chrome Rear Cover	1,724
PSBS6S	6 Super-LED Spotlight, Black Housing, Switch	
PSBS12S	12 Super-LED Spotlight, Black Housing, Switch	1,724

Consult current price list for full list of available options at whelen.com/literature

DIMENSIONS



Handheld Spot/Floodlights



FEATURES

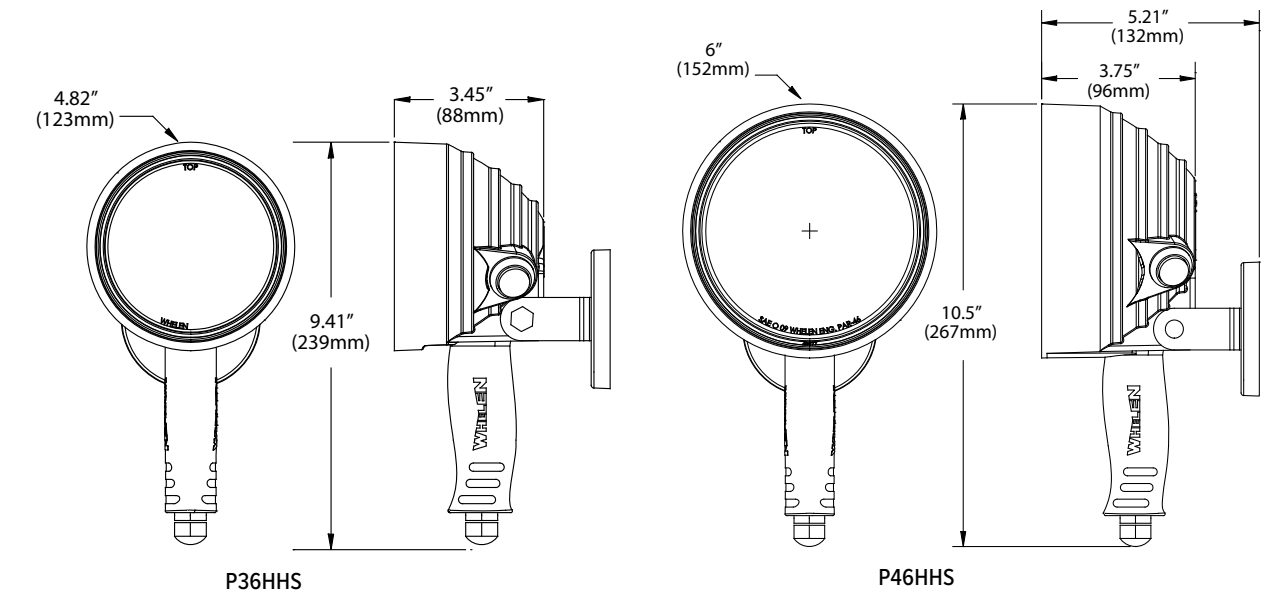
- 90lb pull magnet mount with 8' coiled cord and cigar plug
- Built-in push-button On/Off switch
- Durable TPE housing resists cracking
- Hard-coated lenses resist environmental damage from sand, sun, salt, and road chemicals



Models	Description
P36HHS	PAR-36, Super-LED® Handheld Combination Spotlight/Floodlight
P46HHS	PAR-46, Super-LED Handheld Spotlight

Consult current price list for full list of available options at whelen.com/literature

DIMENSIONS



Rubber Housing Spot/Floodlights



FEATURES

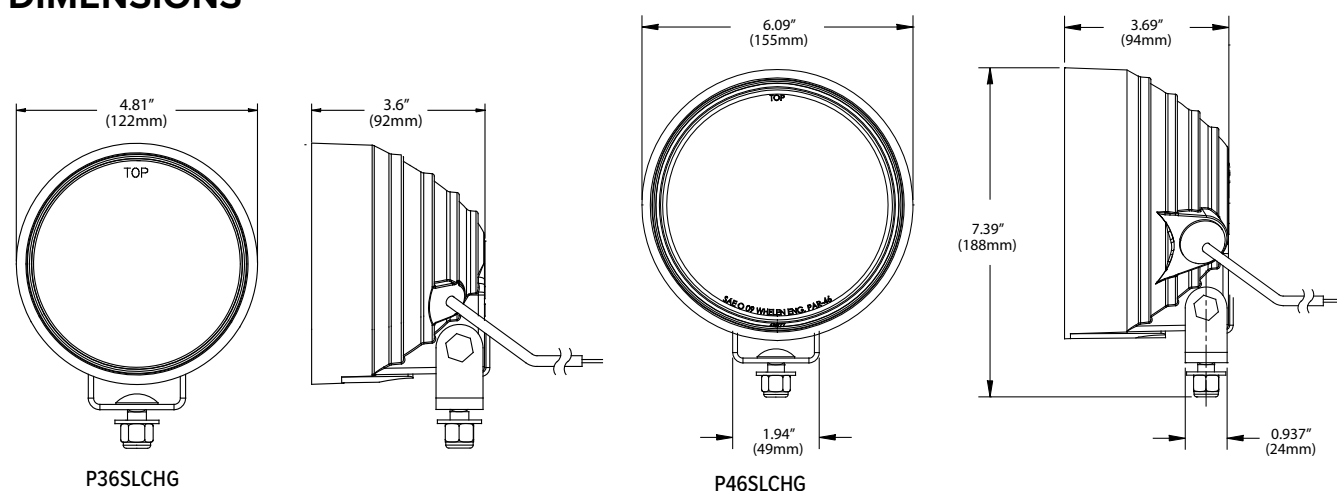
- Rubber stud/swivel housing
- Available with or without lighthead
- Durable TPE housing resists cracking
- Hard-coated lenses resist environmental damage from sand, sun, salt, and road chemicals

Models	Description	Lumens
P36SLCHG	PAR-36, Combination Spotlight/Floodlight	779
P46SLCHG	PAR-46, Spotlight	3,560

Consult current price list for full list of available options at whelen.com/literature



DIMENSIONS



Pioneer Plus™



Download Pioneer™ Designer for models and options



FEATURES

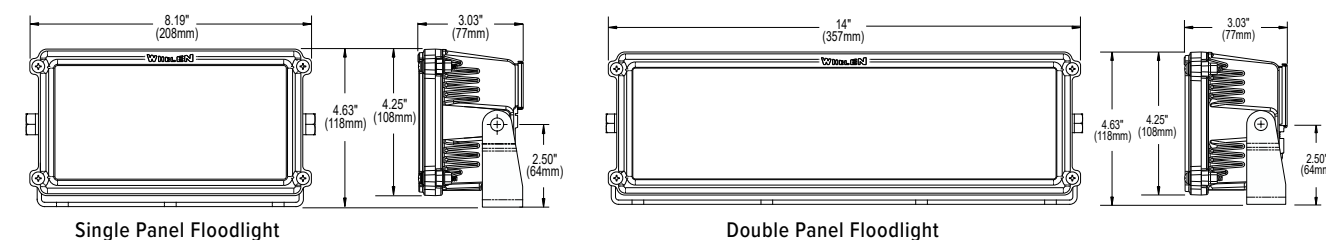
- Available in single and dual models
- Pioneer Plus Combination Floodlight/Spotlight features Proclera® Optic Technology
- Injection molded polycarbonate lenses are impact resistant and hard-coated
- Die-cast aluminum powder-coated housing in Black or White
- Solid-state electronics
- LEDs are instant On/Off, eliminating high inrush current and ramp-up time
- Correlated Color Temperature (CCT) of 5,700° Kelvin simulates bright midday light
- Powder-coated stainless steel bail bracket
- DC models includes 20' cable, AC models include 12" wire leads

Models	Description	Lumens
PFH1	Single Panel Floodlight	10,130
PCH1	Single Panel Combination Flood/Spotlight	
PFH2	Dual Panel Floodlight	20,261
PCH2	Dual Panel Combination Flood/Spotlight	
PFP1AC	Single Panel Floodlight, 115 VAC	10,130
PSP1AC	Single Panel, Spotlight, 8°, 115 VAC	
PFP2AC	Dual Panel Floodlight, 115 VAC	20,261
PCP2AFS	Dual Panel, Combination Flood/Spotlight, 115 VAC	
PCP2ASF	Dual Panel, Combination Flood/Spotlight, 115 VAC	19,305
PCP3	Max Combination Flood and 8° Spotlight, 115 VAC	
PCP3A	Max Combination Flood and 8° Spotlight, 115 VAC	19,819

Consult current price list for full list of available options at whelen.com/literature



DIMENSIONS





Pioneer Summit™

5YR 12 24 IP67 HARD COAT PROCLERA

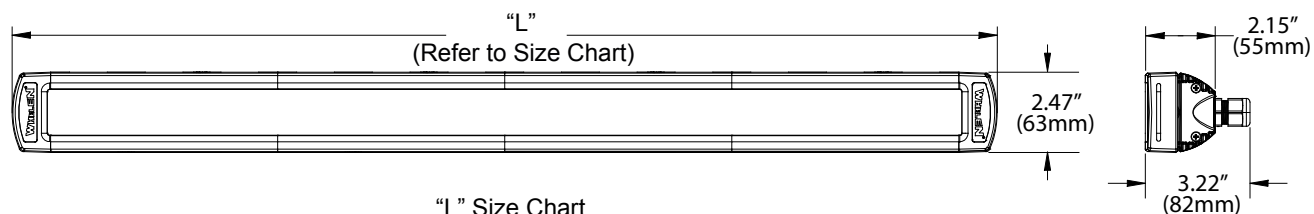
Download Pioneer™ Designer for models and options



FEATURES

- SAE 578 Color Temperature Certified
- Preconfigured spot, flood, or scene optics
- Available with White illumination, Amber marker, and warning lights
- Warning lights require remote flasher, purchased separately
- Individual control of each set of optics
- Hard-coated lenses resist environmental damage from sand, sun, salt, and road chemicals
- Extruded and die-cast aluminum powder-coated housing available in Black or White
- Screwless lens retainer design provides a clean finish and the improved ability to adjust optic configuration
- 100% solid-state electronics
- Rear mounting track for flexible mounting configurations, bail bracket mount standard
- Includes 2' cable, connector, and heat shrink tubing

DIMENSIONS



"L" Size Chart

30" (76cm)	44" (112cm)	58" (147cm)	72" (183cm)	86" (218cm)
---------------	----------------	----------------	----------------	----------------

Models	Length	Description
S86MB	86"	Separate Control of Scene, Flood and Spot Lights, Built-in Amber Clearance and Identification Lights
S86MRB		Separate Control of Scene, Flood and Four Red Warning Lights, Built-in Amber Clearance and Identification Lights
S72MB	72"	Separate Control of Scene, Flood and Spot Lights, Built-in Amber Clearance and Identification Lights
S72MRB		Separate Control of Scene, Flood and Four Red Warning Lights, Built-in Amber Clearance and Identification Lights
S58MB	58"	Separate Control of Scene, Flood and Spot Lights, Built-in Amber Clearance and Identification Lights
S58MRB		Separate Control of Scene, Flood and Four Red Warning Lights, Built-in Amber Clearance and Identification Lights
S44MB	44"	Separate Control of Scene, Flood and Spot Lights, Built-in Amber Identification Lights
S44MRB		Separate Control of Scene, Flood and Two Red Warning Lights, Built-in Amber Identification Lights
S30MB	30"	Separate Control of Scene, Flood and Spot Lights, Built-in Amber Identification Lights
S30MRB		Separate Control of Scene, Flood and Two Red Warning Lights, Built-in Amber Identification Lights
S161MB	16"	Wide Flood Light with Built-in Amber Clearance Light
S162MB		Spot Light with Built-in Amber Clearance Light
S091MB	9"	Wide Flood Light with Built-in Amber Clearance Light
S092MB		Spot Light with Built-in Amber Clearance Light

Consult current price list for full list of available options at whelen.com/literature



Pioneer Plus™ Surface Mount



Download Pioneer™ Designer for models and options



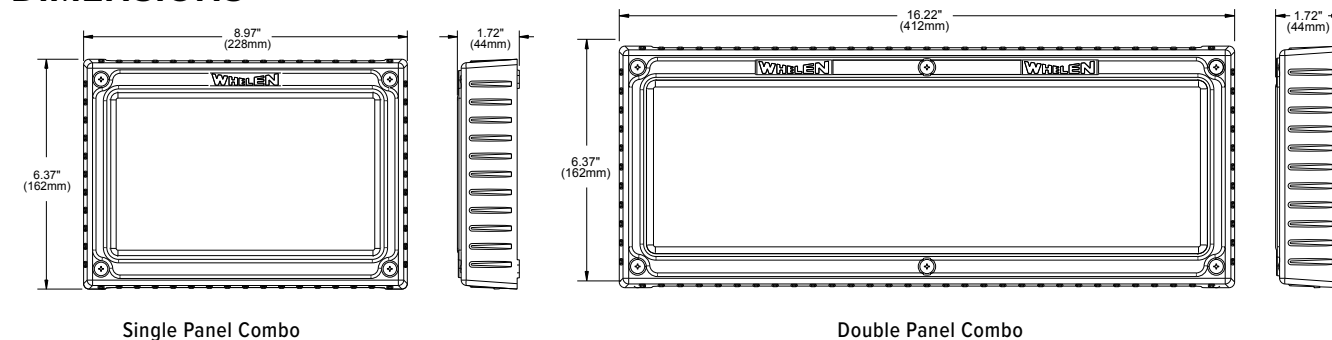
FEATURES

- Available in single and dual models
- Injection molded polycarbonate lenses are impact resistant and hard-coated
- Die-cast aluminum powder-coated housing in Black or White
- Solid-state electronics
- LEDs are instant On/Off, eliminating high inrush current and ramp-up time
- Correlated Color Temperature (CCT) of 5,700° Kelvin simulates bright midday light
- Includes 6' cable
- Surface mount:
 - Requires no body cut-outs
 - Built-in nylon screw grommets eliminate galvanic corrosion
 - Uniquely designed silicone grommet seals the 1" wire entry into the body
 - Available with Chrome or Black flange

Models	Description	Lumens
PCPSM1C	Single Panel, Combination Flood/Spot, Chrome Flange	10,444
PCPSM1B	Single Panel, Combination Flood/Spot, Black Flange	
PCPSM1AC	Single Panel, Combination Flood/Spot, 115 VAC, Chrome Flange	11,231
PCPSM1AB	Single Panel, Combination Flood/Spot, 115 VAC, Black Flange	
PCPSM2C	Dual Panel, Combination Flood/Spot, Chrome Flange	20,888
PCPSM2B	Dual Panel, Combination Flood/Spot, Black Flange	
PCPSM2AC	Dual Panel, Combination Flood/Spot, 115 VAC, Chrome Flange	22,462
PCPSM2AB	Dual Panel, Combination Flood/Spot, 115 VAC, Black Flange	



DIMENSIONS



Pioneer SlimLine™



Download Pioneer™ Designer for models and options



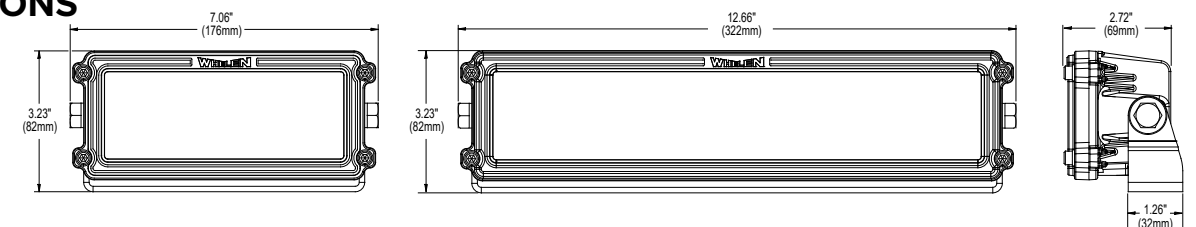
FEATURES

- Available in single or dual models
- Single Lamp Models: 8° spotlight pattern comes standard
 - Includes additional 40° x 20° flood lens
- Dual Lamp Models: 8° spotlight pattern comes standard
 - Includes two additional optic lenses for a light pattern choice of:
 - Dual 40° x 20° flood
 - 8° spot and 40° x 20° flood
- Optic lens changes easily via removable lens retainer
- Injection molded polycarbonate lenses are impact resistant
- Die-cast aluminum powder-coated housing in Black or White
- Solid-state electronics
- LEDs are instant On/Off, eliminating high inrush current and ramp-up time
- Correlated Color Temperature (CCT) of 5,700° Kelvin simulates bright midday light
- Includes 6' cable
- Powder-coated stainless steel bail bracket
- Hard-coated lenses resist environmental damage from sand, sun, salt, and road chemicals

Models	Description	Lumens
PSL1B	Single Panel, Bail/Stud Mount, White Housing	5,103
PSL1BB	Single Panel, Bail/Stud Mount, Black Housing	
PSL1P	Single Panel, Low Profile Pedestal/Swivel Mount, White Housing	
PSL1PB	Single Panel, Low Profile Pedestal/Swivel Mount, Black Housing	
PSL1R	Single Panel, Semi-Recessed Chrome Flange Mount, White Housing	
PSL1RB	Single Panel, Semi-Recessed Chrome Flange Mount, Black Housing	
PSL1R5	Single Panel, Semi-Recessed 15° Angle Chrome Flange Mount, White Housing	10,206
PSL1R5B	Single Panel, Semi-Recessed 15° Angle Chrome Flange Mount, Black Housing	
PSL2B	Dual Panel, Bail/Stud Mount, White Housing	
PSL2BB	Dual Panel, Bail/Stud Mount, Black Housing	
PSL2P	Dual Panel, Low Profile Pedestal/Swivel Mount, White Housing	
PSL2PB	Dual Panel, Low Profile Pedestal/Swivel Mount, Black Housing	
PSL2R	Dual Panel, Semi-Recessed Chrome Flange Mount, White Housing	10,206
PSL2RB	Dual Panel, Semi-Recessed Chrome Flange Mount, Black Housing	
PSL2R5	Dual Panel, Semi-Recessed 15° Angle Chrome Flange Mount, White Housing	
PSL2R5B	Dual Panel, Semi-Recessed 15° Angle Chrome Flange Mount, Black Housing	

Consult current price list for full list of available options at whelen.com/literature

DIMENSIONS



Pioneer Micro™

5YR 12 24 IP67 HARD COAT

Download Pioneer™ Designer for models and options



FEATURES

- 8° spotlight pattern comes standard. Includes three additional optic lenses for a light pattern choice of:
 - 90° x 20° wide flood
 - 40° x 20° standard flood
 - 40° x 8° narrow flood
- Optic lens changes easily via removable lens retainer
- Injection molded polycarbonate lenses are impact resistant
- Die-cast aluminum powder-coated housing in Black or White
- Solid-state electronics
- LEDs are instant On/Off, eliminating high inrush current and ramp-up time
- Correlated Color Temperature (CCT) of 5,700° Kelvin simulates bright midday light

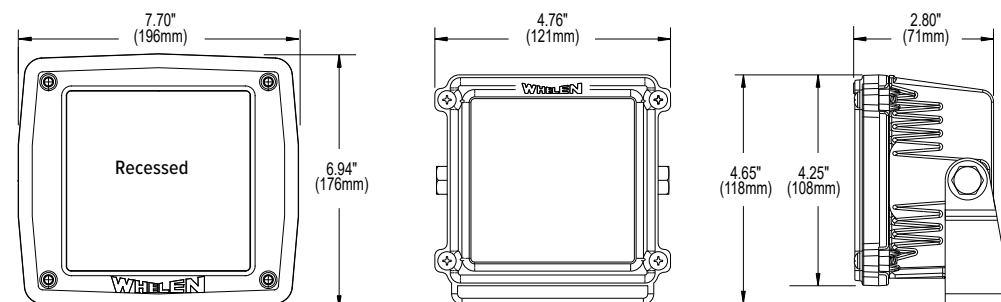
- Hard-coated lenses resist environmental damage from sand, sun, salt, and road chemicals
- Includes 6' cable
- Five mounts available:
 1. Powder-coated stainless steel bail bracket with 0.38" stud carriage bolt mount
 2. Recessed 90° angle mount with Chrome flange
 3. Recessed 15° angle mount with Chrome flange
 4. Pole/pedestal mount with handle available with or without On/Off switch
 5. Low-profile pedestal mount available with Chrome or Black back cover, with or without On/Off switch

Models	Description	Lumens
MPBW	Bail/Stud Mount, White Housing	5,695
MPBB	Bail/Stud Mount, Black Housing	
MPPW	Low Profile Pedestal/Swivel Mount, White Housing	
MPPB	Low Profile Pedestal/Swivel Mount, Black Housing	
MPPWCS	Low Profile Pedestal/Swivel Mount, White Housing, Chrome Cover and On/Off Switch	
MPPBBS	Low Profile Pedestal/Swivel Mount, Black Housing and On/Off Switch	
MPPBCS	Low Profile Pedestal/Swivel Mount, Black Housing, Chrome Cover and On/Off Switch	
MPRW	Straight Recessed Mount, White Housing	
MPRB	Straight Recessed Mount, Black Housing	
MPR15W	15o Recessed Mount, White Housing	

Consult current price list for full list of available options at whelen.com/literature



DIMENSIONS



Pioneer Nano™

5YR 12 24 IP67 HARD COAT

Download Pioneer™ Designer for models and options



FEATURES

- 8° spotlight pattern comes standard. Includes additional optic lens for a light pattern of:
 - 40° x 20° flood
- Optic lens changes easily via removable lens retainer
- Injection molded polycarbonate lenses are impact resistant
- Die-cast aluminum powder-coated housing in Black or White

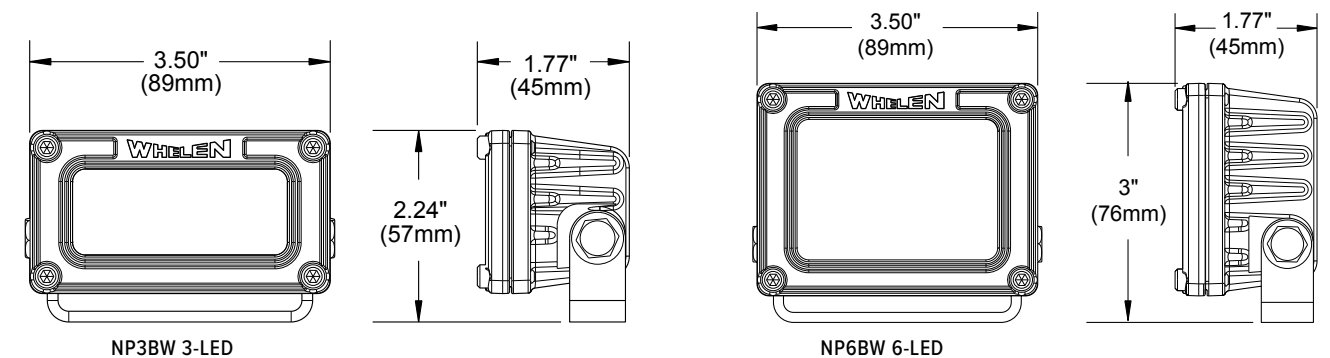
- Solid-state electronics
- LEDs are instant On/Off, eliminating high inrush current and ramp-up time
- Correlated Color Temperature (CCT) of 5,700° Kelvin simulates bright midday light
- Includes 6' cable
- Powder-coated stainless steel bail bracket with 0.38" stud carriage bolt mount

Models	Description	Lumens
NP3BW	3-LED, Bail Mount, White Housing	1,566
NP3BB	3-LED, Bail Mount, Black Housing	
NP6BW	6-LED, Bail Mount, White Housing	2,552
NP6BB	6-LED, Bail Mount, Black Housing	

Consult current price list for full list of available options at whelen.com/literature



DIMENSIONS



CONTROLS & FLASHERS



CenCom Core®



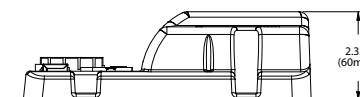
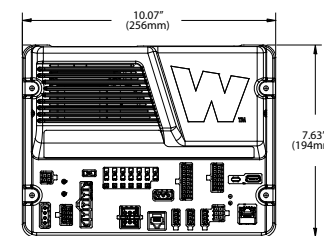
Created to enhance first responder safety, CenCom Core redefined control systems by providing the greatest configurability, speed, and expansion yet. Built to scale with your needs, Core™ is highly configurable and offers advanced automation, remote connectivity, and true system synchronization.

FEATURES

- Powered by WeCanX®
- Supports any combination of up to 99 WeCanX devices
- Seamlessly integrates with Whelen Command® software
- Remote firmware updates through USB-C with Whelen Command or over-the-air with Whelen Cloud Platform®
- Vehicle-to-Vehicle Sync



DIMENSIONS



- Dynamic Variable Intensity™ light patterns
- 17 total inputs
- 23 total outputs
- 5-year warranty

CenCom Core-S™



The newest addition to Whelen's industry-leading Core family of control systems, Core-S™ is a true one-box solution. Its space-saving design allows for installation in tight spaces like in a console or under a dash. And installation has never been easier with connector placement specifically designed for hard-to-reach areas. Core-S features a siren, input/output, and control functionality in one compact box along with an integrated control head.

FEATURES

- Powered by WeCanX
- Seamlessly integrates with Whelen Command software
- Remote firmware updates through USB-C with Whelen Command or over-the-air with Whelen Cloud Platform
- Vehicle-to-Vehicle Sync



- Dynamic Variable Intensity™ light patterns
- 11 total inputs
- 16 total outputs
- 5-year warranty

CenCom Core-R™



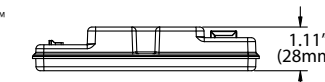
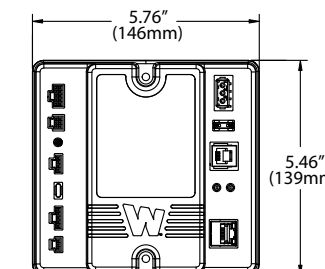
Core-R™ is a vehicle control system engineered to enhance first responder and motorist safety with complete configurability, advanced automation, and remote connectivity.

FEATURES

- Powered by WeCanX®
- Supports any combination of up to 99 WeCanX devices
- Seamlessly integrates with Whelen Command® software
- Remote firmware updates through USB-C with Whelen Command or over-the-air with Whelen Cloud Platform®



DIMENSIONS



- Vehicle-to-Vehicle Sync
- Dynamic Variable Intensity™ light patterns
- 8 total inputs
- 5-year warranty

CenCom Core® Models

Models	WeCanX® Control Systems
C399	Amplifier Control Module, Flashing Outputs, Includes 3 CANport™s, and Controls up to 99 Devices/Remote Modules, Control Heads Purchased Separately
C399R	Control Module, Includes 8 Digital Inputs, 3 CANports and Controls up to 99 Device/Remote Modules, Control Head and Other Optional Modules Purchased Separately. 10-30 VDC
C399S	200 Watt Amplifier Control Module, Flashing Outputs, Includes 3 CANports and Controls Up to 99 Devices/Remote Modules, Control Head and Other Modules Purchased Separately. 12 VDC
C399SH	100 Watt Amplifier Control Module with 100 Watt Howler™, Flashing Outputs, Includes 3 CANports and Controls Up to 99 Devices/Remote Modules, Control Head and Other Modules Purchased Separately. Single Howler Mounting Bracket Purchased Separately, 12 VDC
C399S6	Single Unit 200 Watt Siren with Integrated 3 Section Control Head and 8 Push-Buttons, 4-Position Slide Switch with a 7-Position Rotary Knob. Manual, Airhorn Plus 3 Traffic Advisor™ Switches and Microphone with Extension Cable
C399S6H	Single Unit 100 Watt Siren and 100 Watt Howler with Integrated 3 Section Control Head and 8 Push-Buttons, 4-Position Slide Switch with a 7-Position Rotary Knob. Manual, Airhorn Plus 3 Traffic Advisor Switches and Microphone with Extension Cable, Single Howler Mounting Bracket purchased Separately, 12VDC
C399S7	Single Unit 200 Watt Siren with Integrated 3 Section Control Head and 21 Push-Buttons, 4-Position Slide Switch, Microphone with Extension Cable
C399S7H	Single Unit 100 Watt Siren and 100 Watt Howler with Integrated 3 Section Control Head and 21 Push-Buttons, 4-Position Slide Switch, Microphone with Extension Cable, Single Howler Mounting Bracket purchased Separately, 12VDC
CCP9	Core-C™ Control Point and Switch Combination, 4-Position Slide Switch and 6 Push-Buttons. One 5 amp output for auxiliary lighting. LED TA Indicator, 10-30 VDC and V2V Sync Capable
CCPKT	Core Control Point for use with WeCanX® Devices when NOT using CenCom Core® (For use when not Purchasing a Lightbar)

Models	WeCanX Control Heads
CCTL5	Includes Hand Held Combination Microphone and Controller, 5-Position Progressive Light/Siren Control, 9 Push-Buttons and a Microphone Extension Cable
CCTL6	Includes 3 Section Control Head and 8 Push-Buttons, 4-Position Slide Switch with a 7-Position Rotary Knob. Manual, Airhorn Plus 3 Traffic Advisor Switches and Microphone with Extension Cable
CCTL7	Includes 3 Section Control Head and 21 Push-Buttons, 4-Position Slide Switch, Microphone with Extension Cable
CCTL8	Includes 6 Push-Buttons and a 4-Position Slide Switch, Includes Microphone
CCTL8LM	Includes 6 Push-Buttons and a 4-Position Slide Switch (Microphone Not Included)
CCTL9	Includes 2 Section Control Head and 6 Push-Buttons with a 7-Position Rotary Knob, Microphone and Microphone Extension Cable
CCTL9LM	Includes 2 Section Control Head and 6 Push-Buttons with a 7-Position Rotary Knob, (No Microphone or Microphone Extension Cable)
CCTL10	Includes 3 Section Control Head and 21 Push-Buttons, 1 Master Push-Button, Microphone with Extension Cable
CCTLHARN	CenCom Core Control Head Harness Kit, for use with any Non-Primary Control Head Excluding the CCTL5, Control Heads Purchased Separately

Models	System Expansions
CEM8	8 Output, 4 Input WeCanX Expansion Module
CEM16	16 Output, 4 Input WeCanX Expansion Module
CEM4HC	WeCanX High Current Remote Expansion Module, 4-15 Amp Output
CTA	WeCanX Traffic Advisor™ Remote Module, Traffic Advisor Purchased Separately
CEXAMP	WeCanX External Amplifier
CV2V	Vehicle To Vehicle Module, Includes Internal Antenna
C399RD1	Control Module, Includes 8 Digital Inputs, 1 WeCanX Port and Controls up to 99 Device/Remote Modules, and One CEM16 Module Mounted in a Single Box, Control Head and Other Optional Modules Purchased Separately. 12 VDC
C399RD2	Control Module, Includes 8 Digital Inputs, 1 WeCanX Port and Controls up to 99 Device/Remote Modules, and Two CEM16 Modules Mounted in a Single Box, Control Head and Other Optional Modules Purchased Separately. 12 VDC

CenCom Core® Models

Models	OBDII CANPort™ Installation Kits for Core™
C399K1	OBDII CANport™ Installation Kit for C399 for 2016-2019 Ford Interceptor Utility, 2020-2022 Ford Interceptor Utility used with Factory Option 61B, 2016-2020 Ford F-150, 2018-2022 Ford, F-250/350 2018-2019 Ford, F-450/550, Expedition and Transit 150/250/350, 2017-2019 Ford Fusion (All Models), 2020 Ford Fusion Hybrid and 2016-2017 Dodge Charger (Not for use with Core-R™ and C399S)
C399K2	OBDII CANPort Installation Kit for C399 for Chevy, 2017-2020 Tahoe, 2017-2018 Silverado 1500, 2019-2021 Silverado 1500 (Body Style), 2019-2021 Colorado 1500, 2019 Impala, 2018-2020 Suburban (Not for use with Core-R and C399S)
C399K3	OBDII CANPort Installation Kit for C399 for 2018-2020 Ram Classic 1500, 2019-2020 Ram 1500, 2021-2022 Ram 2500/3500, 2018-2022 Dodge Charger and 2018-2022 Dodge Durango (Not for use with Core-R and C399S)
C399K4	2020-2021 Ford Interceptor Utility Gateway Installation Kit for C399, for use WITHOUT Ford 61B Factory Option (Not for use with Core-R and C399S)
C399K5	2020-2021 Ford Expedition, 2020-2022 F-250/F-350/F-450/F550/F-600 Super Duty and 2020-2021 Transit Gateway Installation Kit for C399 (Not for use with Core-R and C399S)
C399K6	2021-2022 Chevy Tahoe and 2021-2022 Suburban Installation Kit for C399 (Not for use with Core-R and C399S)
C399K7	2021 Ford F-150, 2022 Ford F-150 Lightning, 2020-2022 Ford Interceptor Utility, 2022 Ford Escape, 2022 Ford Expedition and 2021-2022 Ford Mustang Mach-E Installation Kit for C399 (Not for use with Core-R and C399S)
C399K8	2021-2022 Tesla Model Y Installation Kit (Not for use with Core-R and C399S)
C399K9	2022 Chevy Silverado PPV/LTD, 2022 Chevy Colorado Installation Kit (Not for use with Core-R and C399S)

Models	OBDII CANPort Installation Kits for Core-R™ and Core-S™
C399RK1	OBDII CANPort Installation Kit for C399R and C399S Only, for 2016-2019 Ford Interceptor Utility, 2020-2022 Ford Interceptor Utility used with Factory Option 61B, 2016-2020 Ford F-150, 2018-2022 Ford F-250/350, 2018-2019 450/550, Expedition and Transit 150/250/350, 2017-2019 Ford Fusion (All Models), 2020 Ford Fusion Hybrid and 2016-2017 Dodge Charger
C399RK2	OBDII CANPort Installation Kit for C399R Only, for Chevy, 2017-2020 Tahoe, 2017-2018 Silverado 1500, 2019-2022 Silverado 1500 (Body Style), 2019-2021 Colorado 1500, 2019 Impala, 2018-2020 Suburban
C399RK3	OBDII CANPort Installation Kit for C399R and C399S Only, for 2018-2020 Ram Classic 1500, 2019-2020 Ram 1500, 2021-2022 ,Ram 2500/3500, 2018-2022 Dodge Charger and 2018-2022 Dodge Durango
C399RK4	2020 Ford Interceptor Utility Gateway Installation Kit for C399R and C399S Only, for use WITHOUT Ford 61B Factory Option
C399RK5	2020-2021 Ford Expedition, 2020-2022 F-250/F-350/F-450/F550/F-600 Super Duty and 2020-2021 Transit Gateway Installation Kit for C399R and C399S Only
C399RK6	2021-2022 Chevy Tahoe and 2021-2022 Suburban Installation Kit, for C399R and C399S Only
C399RK7	2021 Ford F-150, 2022, Ford F-150 Lightning, 2020-2022 Ford Interceptor Utility, 2022 Ford Escape, 2022 Ford Expedition and 2021-2022 Ford Mustang Mach-E Installation Kit for C399R and C399S Only
C399RK8	2021-2022 Tesla Model Y Installation Kit for C399R and C399S Only
C399RK9	2022 Chevy Silverado PPV/LTD, 2022 Chevy Colorado Installation Kit for C399R and C399S Only



295 Series Electronic Sirens



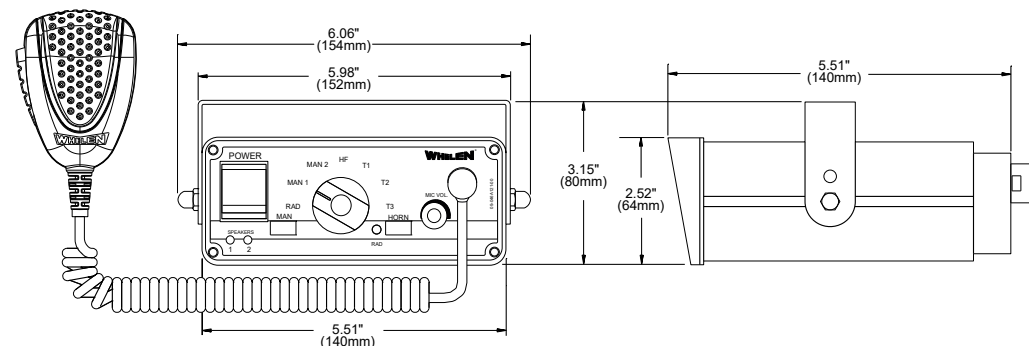
FEATURES

- Combination On/Off and horn ring transfer switch
- Models available with SI TEST®, a silent, self-diagnostic indicator of siren or speaker failure
- Input polarity protection
- Solid-state over/under voltage shutdown and output short circuit protection
- Recess or bail bracket for under dash mounting

Models	Description
295SDA1	Dual Tone Siren, Full Function Control Head
295SSA1	Single Tone Siren, Full Function Control Head
295SLSA1	Siren Amplifier, Scan-Lock™ Siren Tones
295HFS2	Remote Siren Amplifier (Flush Mount Head)
295HFS2X	Remote Siren Amplifier (Flush Mount Head), Dual Amplifiers, Meets CA Title 13 Requirements
295SLSA6	Single Unit Siren with Control Head; Park Kill, Timed Out Relay and Scan-Lock Siren Tones
295HFA7	Remote Dual Siren Amplifier, Flush Mount Control Head, Meets CA Title 13 Requirements
295HFSC9	Self-Contained Full Function Siren, Removable Microphone
295SL100	Full Function Siren, Heavy-Duty Microphone
295SL101	Full Function Siren, Heavy-Duty Plug-In Microphone, Volume Control Knob

Consult current price list for full list of available options at whelen.com/literature

DIMENSIONS



Howler™ Siren System



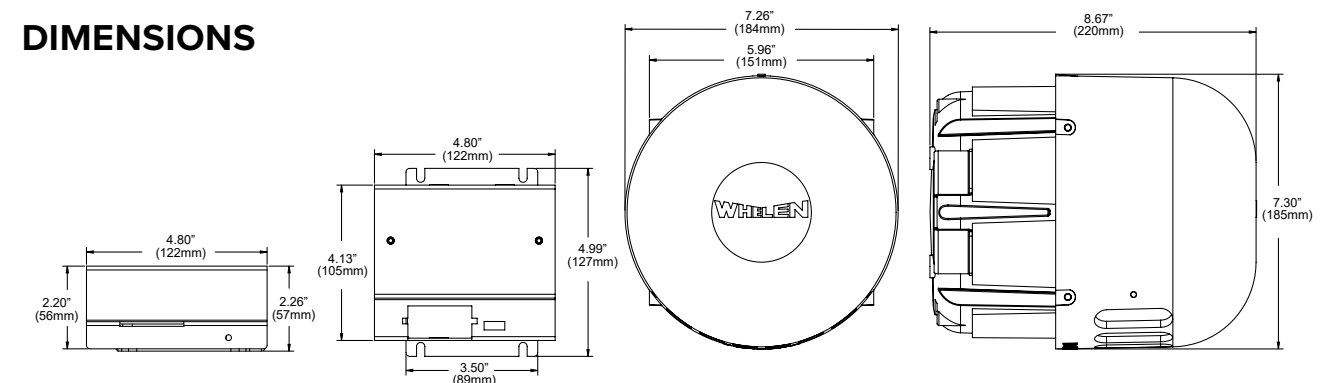
FEATURES

- Low-frequency siren and speaker system
- Provides deep tones to penetrate other vehicles
- Howler is an add-on to any 100/200 watt siren amplifier and is not a replacement to the vehicle's primary siren
- Uses low frequency tones to synchronize with the vehicle's primary siren tones
- Works with any sweeping, Hi/Low, or electronic mechanical tones generated by the primary siren
- Certain vehicle models may utilize single or dual speaker systems

Models	Description
HOWLER	Siren Amplifier with Two Speakers, Optional Vehicle Specific Mounting Brackets
CHOWLER	Siren Amplifier with Two Speakers, Optional Vehicle Specific Mounting Brackets
HWLRB2	Howler Mounting Bracket for 2008-2017 Ford Expedition
HWLRB14	Howler Mounting Bracket for 2015-2018 Dodge 4500/5500
HWLRB35	Howler Mounting Bracket for Ford, 2015-2023 F-150, 2017-2023 Super Duty and 2023 Super Duty 450/550.
HWLRB18	Howler Mounting Bracket for 2012-2016 Chevy 2500/3500 Silverado and Suburban
HWLRB23	Howler Mounting Bracket, Universal Mounting Brackets (Pair)
HWLRB24	Howler Mounting Bracket for 2017-2018 Chevy Silverado 1500
HWLRB25	Howler Mounting Bracket for 2017-2020 Chevy Tahoe, Front and Rear Two Speaker System
HWLRB26	Howler Mounting Bracket for 2017-2019 Chevy 2500/3500 Silverado
HWLRB27	Howler Mounting Bracket for 2018-2021 Ford Expedition SSV, Includes Built-In Mounting for SA315P Speaker
HWLRB30	Howler Mounting Bracket for 2019-2020 Ram 4500/5500
HWLRB31	Howler Mounting Bracket for 2019-2021 Ram 1500, Includes Built-In Mounting for SA315P Speaker

Consult current price list for full list of available options at whelen.com/literature

DIMENSIONS





Siren Speakers

2YR 12 100



SP123BMC



SA315P



SA314A

FEATURES

- SA315P & SA314 Series for bumper, concealed or flange mount, installs to vehicle's cross member in minutes
- UnderPro™ ambulance speakers are left or right side mounted

Models	Description
SA315P	Projector™ Series Nylon Composite, Multi-Port Speaker
SA314A	Projector Series Small Profile Cast Aluminum Speaker
SA314B	Projector Series Small Profile Cast Aluminum Speaker, Black Epoxy Coated Finish
SP123BMC	Projector Series Bumper Mount Speaker
SA31101P	UnderPro Single Speaker for International 4300/4400 Series, 2001-2017, Passenger Side
SA31101D	UnderPro Single Speaker for International 4300/4400 Series, 2001-2017, Driver Side
SPT5P	Bumper Mount Speaker for 2015-2019 Ford Transit, Passenger Side
SPT5D	Bumper Mount Speaker for 2015-2019 Ford Transit, Driver Side

Consult current price list for full list of available options at whelen.com/literature

WARNING: This product may contain chemicals known to the State of California to cause cancer and birth defects or other reproductive harm. For more information, visit whelen.com/regulatory.

Economical Sirens & Airhorns

2YR 12 100



ALPHASL



BETA1



WPA3BM



PAP112

FEATURES

- Alpha™ sirens deliver 100 or 200 watts of siren warning power, Hands-Free operation, multiple warning tones, and horn ring override capabilities
- Beta™ sirens meet budget sensitive demands for 200 watt siren warning performance, public address, radio repeat capability, and Hands-Free operation
- WPA sirens with public address feature a water resistant control head and 2 lighted rocker switches for lights/auxiliary and Wail/Yelp, and 2 non-lighted switches for Override/Airhorn and volume Hi/Low
- Power Airhorn™ siren amplifiers create the same familiar airhorn sound used by Police, Fire, and EMS in any type of vehicle

Models	Description
ALPHA12S	Alpha Series, Self-Contained Siren, Faceplate Switches
ALPHASL	Alpha Series, Remote Siren, Use with Remote Switches
BETA112R	Beta Series, Full Function Remote Siren, Use with Remote Switches
BETA1	Beta Series, Full Function Control Head Only, 15' Interconnect Harness
BETA2	Beta Series, Full Function Control Head Only, Weather Resistant, 20' Cable
WPA112	WPA Series, Waterproof Siren Amplifier, for a Single 100 Watt Speaker
WPA3BM	WPA Series, Full Function Control Head, Waterproof Switches and Microphone Jack, 20' Cable
PAH112	PA Series, Airhorn Tone Only Siren, for a Single 100 Watt Speaker
PAP112	PA Series, Airhorn Tone Plus Public Address Siren, Includes Microphone

Consult current price list for full list of available options at whelen.com/literature
See model-specific pages for dimensions

Flashers & Switches

5YR 12 24 IP67



AFL530

AFM560

SSFPOS16



UFM8

ULF44

SLFLASH



PCC10W

PCCS9RW

Models	Description
PCCS9RW	Switch Control for Standard Switching
PCCS9LW	Programmable Switch Control for Liberty™ II & Freedom® IV Lightbars
PCC4W	Switch Box, Four 25 Amp SPST Switches
PCC6W	Switch Box, Six 25 Amp SPST Switches
PCC6W1	Switch Box, Five 25 Amp SPST Switches and a Momentary Switch
PCC10W	Switch Box, Ten 25 Amp SPST Switches
PCC10W1	Switch Box, Nine 25 Amp SPST Switches and a Momentary Switch
PCC8R	8 Position Key Pad, Remote Relay Module
AFM1660	16 Outlet Flasher for Halogen, LED or Super-LED® Ambulance Lighthoods
AFM560	5 Outlet Flasher for Halogen, LED or Super-LED Ambulance Lighthoods
AFL530	5 Outlet Flasher for LED, or Super-LED Ambulance Lighthoods
SSFPOS	2 Outlet Flasher for Halogen, LED, or Super-LED Headlight/Grille Lights
UHF2150A	2 Outlet Flasher with Relay, for Halogen, LED, or Super-LED Headlight/Grille Lights
ULF44	4 Outlet Flasher for LED or Super-LED Lighthoods
UFM8	4 Outlet Flasher for Halogen, LED or Super-LED Lighthoods
SLFLASH	8 Outlet Flasher for LED Lighthoods
SSFPOS16	100% Solid-State, Headlight and Taillight Flasher, 2 Outlet, 160 Watts Per Outlet, 7 Flash Patterns

Consult current price list for full list of available options at whelen.com/literature

FIRE & EMS LIFETIME WARRANTY



Please refer to the Warranty Policy for further details, limitations, and exclusions.

- Freedom® Series Lightbars
- M Series™
- L31 Series
- B6 Series
- Micro Freedom® Series
- Pioneer™ Scene Lighting (Excludes Pioneer Life)
- PSTANK2
- PSCOMP – Illumination Series
- TANF65 or 85 TA Series
- 6" and 8" LED Ambulance Series
- EZ Scenelight™ Series
- WeCanX® 2250 Series

Whelen Engineering Company, Inc. ("Whelen") warrants the following products manufactured on or after January 1, 2021 (as stamped on the products) to be free from defects in material and workmanship for the duration that the following vehicles on which the products are initially installed are in-service at their original owner (a limited lifetime warranty); provided the products have been installed and operated in accordance with Whelen's manufacturer recommendations. This limited lifetime warranty is between the first purchaser (ultimate user) only and Whelen.

During the limited lifetime warranty period, the Factory Repair Center or an Authorized Whelen Repair Center will repair or replace (at its option and cost) any parts or electronic assemblies of the covered product that disclose a defect in material or workmanship. For warranty consideration, the user shall obtain a prior return merchandise authorization (RMA) by contacting Whelen's Technical Support Group at custserv@whelen.com or by calling (860) 526-9504 and then return the product freight prepaid to Whelen at 51 Winthrop Road, Chester, CT 06412-0684 or an Authorized Whelen Repair Center. The Repair Center will return the repaired unit with transportation costs prepaid.

Vehicles to Which the Lifetime Limited Warranty Applies:

This warranty applies to the above-listed products installed only on fire and emergency medical services apparatuses built by original equipment manufacturers and listed in NFPA 1901, NFPA 1906, NFPA 1917, KKK-1882F, CAAS, and AMD standards, including pumpers, rescues, aerials, wildland, and ambulances.

Limitations on Limited Lifetime Warranty

1. This warranty does not apply to normal cosmetic wear, i.e., lens degradation and/or coloring.
2. All warranted products must have been purchased through an authorized Fire & EMS original equipment manufacturer (OEM).
3. This warranty is not applicable to any Whelen product that has failed from damage as a result of incompatible chemicals (including deicing or road treatment) or cleaning products, or due to accident, abuse, misuse, neglect, physical damage, improper installation, ordinary wear and tear, excessive voltages, or any alteration to the product that affects, in Whelen's judgment, the product's intended use and service, cut wires eliminating the possibilities of repair and/or interactions with third-party devices.
4. Each Whelen product sold is covered only by the official warranty in effect at the time of purchase.
5. Whelen will not be held liable for any incidental, punitive, special, or consequential damages, including without limitation loss of use of the vehicle or equipment, loss of time, inconvenience, loss of profit, loss of business, or any other damages, losses, or expenses arising from the sale, handling, or use of the products and assumes no responsibility or liability for expenses incurred in the removal and/or reinstallation of products requiring service and/or repair; nor the packaging, handling, and shipping to the Factory Repair Center or Authorized Whelen Repair Center; nor for the handling of products returned from the repair center after service or repair.
6. This warranty will be void when using or substituting other than all genuine Whelen system components, such as remote head assemblies, shielded cables, siren amplifiers, and siren speakers.
7. THIS WARRANTY IS IN LIEU OF AND EXCLUDES ALL OTHER WARRANTIES NOT EXPRESSLY SET FORTH HEREIN, WHETHER EXPRESSED OR IMPLIED, INCLUDING BUT NOT LIMITED TO ANY WARRANTIES OF MERCHANTABILITY OR FITNESS FOR A PARTICULAR PURPOSE.

Whelen reserves the right to modify this warranty statement at any time or discontinue, modify, or upgrade any products of its manufacture with design improvements without prior notice.

All Non-Whelen manufactured items that are sold by Whelen are covered by that manufacturer's warranty and are excluded from this warranty statement (such as Miovision Emitters and batteries).

This warranty gives you specific rights, and you may also have other rights which vary from state to state.

Lighting Certifications

KKK 1822-F - Federal Ambulance Specification

CAC, Title 13, Article 22 (Red, Blue and Amber Lightheads)

Warning Lamps and Devices:

SAE J595 - Directional Flashing Optical Warning Devices for Authorized Emergency, Maintenance, and Service Vehicles (Aug 21)

SAE J845 - Optical Warning Devices for Authorized Emergency, Maintenance, and Service Vehicles (Aug 21)

Test Procedures and Materials:

SAE J575 - Test Methods and Equipment for Lighting Devices for Use on Vehicles Less than 203 cm in Overall Width (Apr 21)

SAE J578 - Chromaticity Requirements for Ground Vehicle Lamps and Lighting Equipment (Apr 20)

SAE J2139 - Tests for Signal and Marking Devices Used on Vehicles 203 cm or More in Overall Width (Dec 14)

Signaling and Marking Lighting Devices and Systems:

FMVSS108 - Federal Motor Vehicle Safety Standards

NFPA 1901 - (2009 Edition) For NFPA application consult current NFPA Specification Lighting Packages Catalog

SAE J585 - Tail Lamps (Rear Position Lamps) for Use on Motor Vehicles Less than 203 cm in Overall Width (Jun 14)

SAE J586 - Stop Lamps for Use on Motor Vehicles Less than 203 cm in Overall Width (May 16)

SAE J588 - Turn Signal Lamps for Use on Motor Vehicles Less than 203 cm in Overall Width (Mar 21)

SAE J592 - Sidemarker Lamps for Use on Road Vehicles Less than 203 cm in Overall Width (Sep 16)

SAE J593 - Backup Lamp (Reversing Lamp) (Oct 6)

SAE J914 - Side Turn Signal Lamps for Vehicles Less than 12 m in Length (Aug 14)

SAE J1432 - Rear High Mounted Stop Lamps and Rear High Mounted Turn Signal Lamps for Use on Vehicles 203 cm or More in Overall Width (Jan 16)

SAE J1889 - LED Signal and Marking Lighting Devices (Jul 19)

SAE J1957 - Center High Mounted Stop Lamp Standard for Vehicles Less than 203 cm Overall Width (Jun 11)

SAE J2039 - Side Turn Signal Lamp for Long Vehicles (Aug 11)

SAE J2040 - Tail Lamps (Rear Position Lamps) for Use on Vehicles 203 cm or More in Overall Width (Jan 16)

SAE J2042 - Clearance, Sidemarker, and Identification Lamps for On-Road Vehicles 203 cm or More in Overall Width (May 18)

SAE J2261 - Stop Lamps and Front- and Rear-Turn Signal Lamps for Use on Motor Vehicles 203 cm or More in Overall Width (July 16)

Product Index

0	0S™ Series Lightheads	48	D	Dominator™ & Dominator Plus™	22	N	NFPA Freedom IV Lightbars	6
							NFPA Justice Lightbars	12
2	2" Round Lightheads	51	E	Economical Sirens and Airhorns	79	O	Outer Edge® Lightbars	20
	295 Series Sirens	76		Edge® 9X Series	14			
	2G Series Lightheads	57						
3	3" Round Lightheads	51	F	Flashers	80	P	PAR-36 & PAR-46	62
				Freedom® IV DYAD™ Lightbars	6		PAR Replacement Lamps	61
				Freedom IV DUO™ Lightbars	6		Pioneer Micro™	70
				Freedom IV Rota-Beam™ Lightbars	5		Pioneer Nano™	71
							Pioneer SlimLine™	69
							Pioneer Summit™	66
							Pioneer Surface Mount	68
							Pioneer Plus™	65
4	4" Round Lightheads	50	H	Handheld Spot/Floodlights	63	R	Rota-Beam R316 & R416 Series	30
	400 Series Lightheads	39		Howler™ Siren System	77		Rubber Housing Spot/Floodlights	64
	4500 Build-A-Bar	16						
5	500 Series Lightheads	39	I	Inner Edge® FST™ Lightbars	19			
	5G Series Lightheads	55		Inner Edge RST™ Lightbars	18			
				Interior Lights	57			
6	6" Round Lightheads	58		ION™ Series Lightheads	42	S	Scene Lights	59
	600 Series Lightheads	40		ION V-Series™ Lightheads	44		Siren Speakers	78
				ION Mini T-Series™ Lightheads	43		SlimLighter® Series Lights	34
7	700 Series	41		ION T-Series Lightheads	43		SpitFire ION™ Series	34
							Strip-Lite™ Plus	46
8	8" Round Lightheads	58	J	Justice® Series Lightbars	12		Strip-Lite Plus XL	47
							Switches	80
9	900 Series	41	L	L31 & L32 Series Beacons	31	T	TIR3™ Lightheads	52
				Legacy® Series Lightbars	10		Tracer™ WeCanX®	21
				Liberty™ II Series Lightbars	8		Traffic Advisor™	26
A	Arges® Remote Spotlight	60		LIN3™ Series Lightheads	52		Turn Signals	54
	Avenger® II Series Lights	33		LINV2™ V-Series™ Lightheads	48			
				LINZ6™ Series Lightheads	52			
B	B6 Series	29	M	M2 & M4 Lightheads	38	V	Vertex™ Series Lightheads	49
	Back-Up Lights	55		M6 & M7 Lightheads	37		V23™ Series Lightheads	45
	Brake/Tail/Turn Lights	53		M9 Lightheads	36	W	WeCanX® 2250	17
C	CenCom Core®	73		Micro Freedom Series	25			
	CenCom Core-R™	73		Micron™ Series Lightheads	45			
	CenCom Core-S™	73		Mini Freedom IV Lightbars Series	24			

Notice:

Dimensions indicated for products are within $\pm 1/16"$ (1.58mm) tolerance. Metric equivalents are rounded to nearest whole number. For special applications requiring more precise measurement, contact factory.

Prior to using any interior light, consult your vehicle's owner manual to insure proper use with air bag safety systems.

The use of a magnetic or suction mounted beacon on the roof of a vehicle in motion is not recommended, and is at the sole discretion and risk of the user.

FIRE & EMS

PROFESSIONAL WARNING AND LIGHTING

A comprehensive guide to Whelen's
lighting and warning products

Distributed by:

WHELEN[®]
MANUFACTURED IN AMERICA

@WhelenENG



NASCAR[™]
OFFICIAL WARNING LIGHTS

Preferred Warning Lights of



Whelen Engineering Company
(860) 526-9504
www.whelen.com

Whelen Engineering reserves
the right to upgrade and improve
products without notice.

© 2022 Whelen Engineering Company,
Inc. Printed in U.S.A.
Code No. 11032AD- 09/23

All products proudly designed, manufactured,
and assembled in the U.S.A.
• ISO 9001 Registered QMS