

FIRST IN LAW ENFORCEMENT EQUIPMENT

# SETINA ANNIVERSARY EDITION



CELEBRATING



OF EXCELLENCE



# SETINA MANUFACTURING

Setina Manufacturing Company  
is Proud to Celebrate  
60 Years of Innovation

## SETINA'S COMMITMENT CONTINUING TO YOUR NEEDS

Founded in 1963 by John Setina, who had many years experience working with the Washington State Patrol Automotive Division, and in owning an auto body repair business before being recruited by the State Patrol.

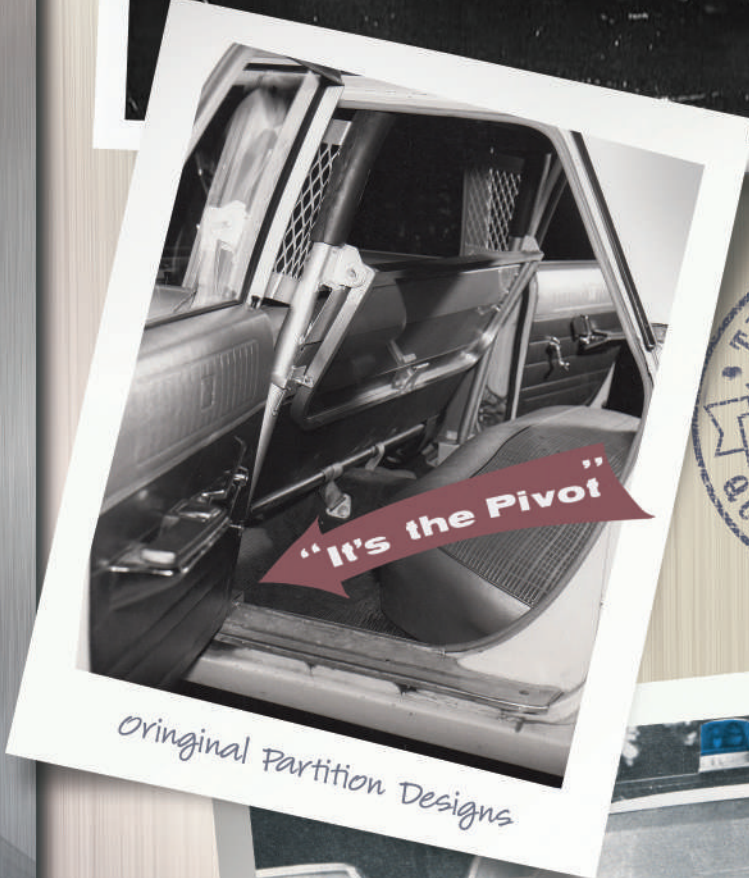


*John Setina in his workshop*

## HIS LEGACY CONTINUES

Although John is no longer with us, his legacy continues, with the integrity and old-fashioned family values he so strongly believed in.

Setina Manufacturing Company continues as one of the most respected names in Law Enforcement, and still sets the industry standards through Technological Advances and Innovative Designs.



*Original Partition Designs*



*Original Push Bumper Design*



# SETINA

## 60 Years Of Excellence

### Dear Law Enforcement Community

It is our pleasure to share with you the latest 2023 Setina Featured Fleet Equipment. Much like the direction of our company, our new edition points toward the future of Law Enforcement, but also remembers the past. You will notice products ranging from the new cutting-edge, to the tried and true.



### This Year We are Introducing a Variety of New Products

Thank you for taking the time to discover the new products Setina has to offer. We strongly believe that you too will agree that our innovative designs are the best to be found. We appreciate the long-lasting and trusting relationships that have been forged over 60 years, and look forward to what the next 60 will hold.

Sincerely,  
Setina Manufacturing

60 YEARS OF COMMITMENT



### Driving Technology Forward

*For 60 years our Uncompromising Adherence to Excellence in Engineering has set the foundation for our Industry Leading Designs.*

# THE TOTAL LAW ENFORCEMENT

## Taking Transport Seating to the Next Level Efficiency

1

Laboratory testing is a Critical Part of Seat Belt Design and Performance. Setina's unique Center Pull Seat Belt Systems are Professionally Designed and Laboratory tested to meet 2007/210 FMVSS, Federal Seat Belt Safety Standards.



2

**Setina's "SmartBelt" System**  
When the belt is Buckled, the seat belt retractor is "Electronically Locked" in "Retract-Only" Mode. When the belt is Unbuckled, the "Warning Light Activates".



## Model #12VS Rear Cargo Partition

Available with coated, Scratch-Resistant Polycarbonate or Expanded Metal.



4

4

## The Setina Push Bumper

From our styled Original, Heavy Duty with our latest technology in "LED"s, our Superior Push Bumper Designs ensure Durability and Performance in the most extreme condition.

## The Police Bike Rack

The Police Bike Rack is the latest in extendable design option for Push Bumper bike transport.

5

## Model #10-XL Does It All!

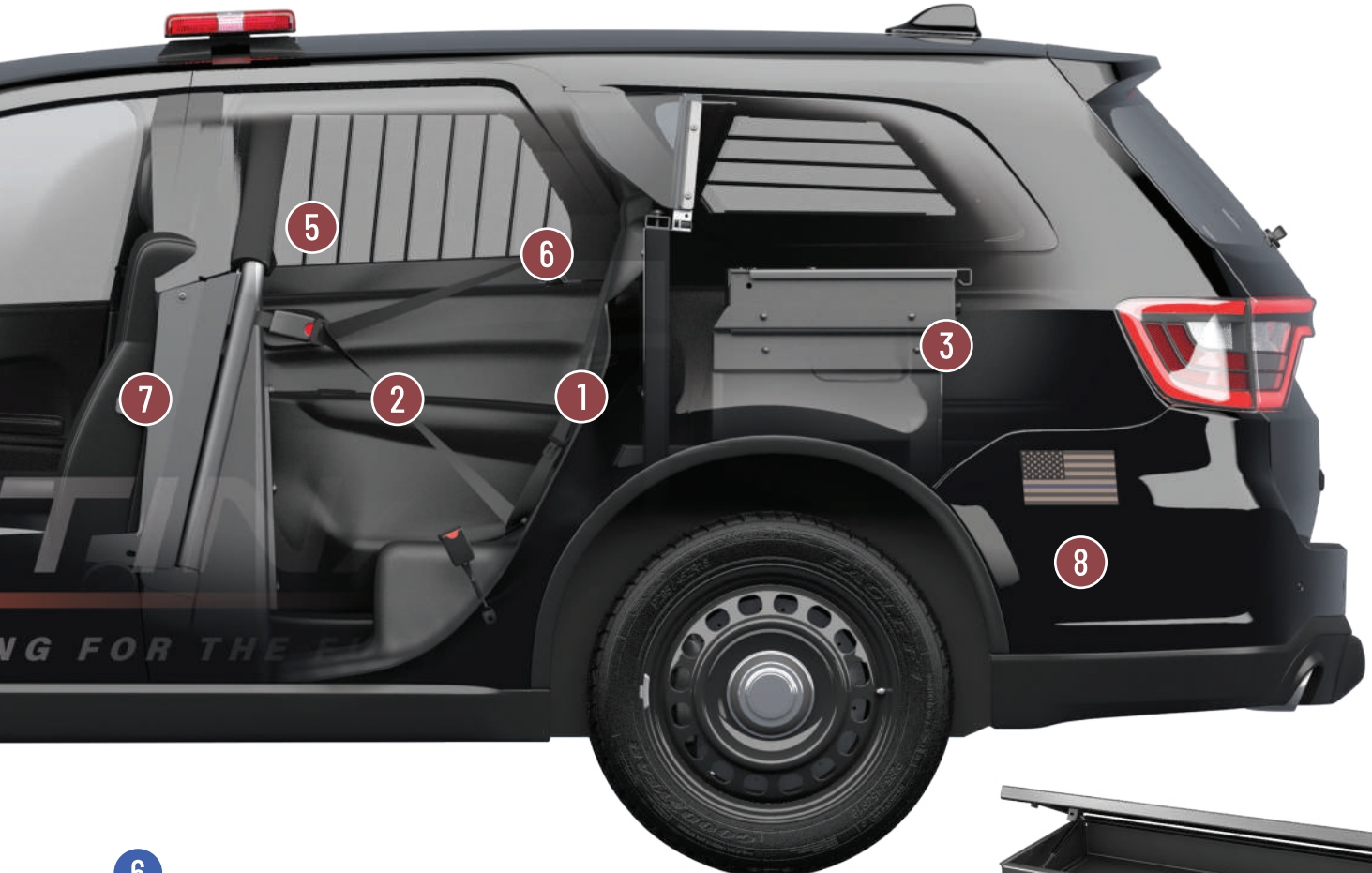
Based on our popular RP Series but with Xtra legroom. No rear leg or foot well obstruction. Recessed panel design, optimum for multiple weapon mounting systems and center consoles. Includes lower extension panels.



# TRANSPORT SUV SOLUTIONS PACK



**8 Easy-Lift Cargo Deck**  
Easy-Lift Cargo Deck System utilizes the available rear under-deck space, providing maximum cargo storage potential. Our Easy-Lift replaces the vehicle's factory rear compartment deck and provides a secure solution to lower deck radio, electronics and cargo storage.



**6 Window Barriers and Door Guards**  
Setina's® TPO Door Guards are the next generation of interior door protection. Window barriers are scratch-resistant polycarbonate or steel to fit your department's vehicle needs.

**7 Freestanding or Partition Mounted Weapons Systems**  
Available with Single or Double T-Rail firearms mounting options, as well as multiple lock configurations.



**3 Maximizing Every Inch of your Vehicle's Cargo Storage**  
Setina's Easy-Lift Cargo Deck System utilizes the available rear under-deck space, providing maximum cargo storage potential.



# SETINA PUSH BUMPER

## ECO-TREAT PROCESS

### Protecting Our Environment

Setina's Environmentally Friendly "Eco-Treat" Process provides Superior Corrosion Resistance and Exceeds Automotive Industry PPAP Standards.

### LABORATORY TESTING

In addition to knowing Setina has the highest quality finish and corrosion protection on our Push Bumpers, Setina has taken It to the next level with Independent laboratory testing.



### Salt Spray And Scribe Testing

Hardware exceeds 3,000 hours of Continuous salt spray, 3 times the 1,000 hour industry standard against both white and red rust.

### Gravelometer Testing

Testing for surface chipping caused from impact. Setina parts exceeded 2,000 hours, 2 times the 1,000 hour SAE, and ASTM standards.



### UV Fade Resistance

*Laboratory Tested Powder Coat Finish Exceeds the Automotive Industry, S4214 Method D559, South Florida Exposure Standards for UV Protection Against Fade, for Gloss and Color Stability.*

# PURSUIT PUSH BUMPER



## A BODYGUARD PB450-L "LED" Lighted Push Bumper

Available with 2 or 4 LED lights.  
High-strength aluminum.  
*For Sedans.*



## B BODYGUARD PB450-L-VS "LED" Lighted Push Bumper

Available with 2 or 4 LED lights.  
High-strength aluminum.  
*For SUVs, Trucks and Vans.*

## A BODYGUARD PB400

High-strength aluminum or steel.  
*For Sedans.*



## B BODYGUARD PB400-VS

Full Grille Model  
High-strength aluminum or steel.  
*For SUVs, Trucks and Vans.*

## A BODYGUARD PB300

Extra duty, high-strength solid core rubber horizontal push pad.  
High-strength aluminum.  
*For Sedans, SUVs, Trucks and Vans  
SUV model shown.*



## B BODYGUARD PB100

Available in 12" or 16" models.  
High-strength aluminum or steel.  
Available with optional hard rubber horizontal push pad.  
*For Sedans, SUVs, Trucks and Vans.*

## A WINCH READY BODYGUARD PB450L

Available with 4 LED lights  
*Same Features as Winch Ready  
PB400 for Trucks.*

## B WINCH READY BODYGUARD PB400

High-strength aluminum or steel.  
1/4" Steel Winch Mounting Plate.  
Accommodates most standard winch models up to 12,000 lbs.  
Mounts to vehicle's Recovery Hooks for added strength.  
*For Full Size SUVs and Trucks.*



## The Setina Difference

### Superior Aluminum Design

- 40% Lighter Weight.
- Aircraft Grade, High Strength Aluminum.
- Optimum Fuel Economy & Weight Distribution for Better Control.
- Weight Reduction Reduces Vehicle's Front End Fatigue.
- Satisfies Auto Maker's Concerns on Front End Weight Limitations.
- Steel Models Also Available.

### Proven Designs, Easy Installation

The PB450-L and PB400-L are completely factory preassembled and wired for quick and easy installation. Wiring is protected within the push bumper assembly.



### Primer And Powder Coat Push Bumper Testing

Exceeds: ASTTM B117, Neutral Salt Spray Standards.

Exceeds: ASTM D2247, Humidity Resistance Standards.

Exceeds: Automotive Industry, S4214 Method D559, South Florida Exposure Standards for UV Protection Against Fade, for Gloss and Color Stability.



# SETINA'S FIELD TESTED

## Impact Resistant Fender and Headlight Guards

### Professionally Designed for Law Enforcement

Setina Impact Resistant Fender and Headlight Guards are professionally designed to work with all models of Setina Push Bumpers.

Constructed of Heavy Duty Aircraft Grade Aluminum and Steel, Setina Fender and Headlight Guards provide added protection from costly damage to your Fenders, Grille and Headlights.

### EVOC Tested for the P.I.T. Maneuver

Multi-Purpose P.I.T. Design provides Optimal Fender Protection during their everyday duties, and Maximum Performance during a controlled vehicle disabling P.I.T. Maneuver.



### Primer And Powder Coat Testing

Exceeds: ASTTM B117, Neutral Salt Spray Standards.

Exceeds: ASTM D2247, Humidity Resistance Standards.

Exceeds: Automotive Industry, S4214 Method D559, South Florida Exposure Standards for UV Protection Against Fade, for Gloss and Color Stability.



### LABORATORY TESTED FOR SUPERIOR FINISH AND CORROSION RESISTANCE PERFORMANCE

Our Fender and Headlight Guards are constructed of Heavy-Duty, Light Weight Aircraft Grade Aluminum and Steel. Our Advanced, Field Tested Designs continue to provide proven Value and Performance.



## BODYGUARD PB5

Heavy Duty Impact Resistant (PIT) Fender Protectors.

Designed for PB100, PB300, PB400 & PB450-L Series Push Bumpers.

( Push bumper not included. )



PB5 SHOWN WITH PB450-L

## BODYGUARD PB6

Heavy Duty Double Wrap-Around Headlight Guards with PB6 impact resistant fender protectors. Designed for PB400 & PB450-L Series Push Bumpers.

( Push bumper not included. )



PB6 SHOWN WITH PB450-L

## BODYGUARD PB8

Heavy Duty Double Wrap-Around Headlight Guards. Designed for PB400 & PB450-L Series Push Bumpers.

( Push bumper not included. )



PB8 SHOWN WITH PB450-L

## BODYGUARD PB9

Heavy Duty Double Bar, Impact Resistant (PIT) Fender Protectors. Designed for PB400 & PB450-L Push Bumpers.

( Push bumper not included. )



PB9 SHOWN WITH PB450-L

## BODYGUARD PB10

Heavy Duty Wrap-Around Headlight Guards with PB9 (P.I.T.) Impact Resistant Fender Protectors. Designed for PB200 & PB300 PB400 & PB450-L Push Bumpers.

( Push bumper not included. )



PB10 SHOWN WITH PB450-L

## The Setina Difference

### SUPERIOR ALUMINUM DESIGN

- 40% Lighter Weight.
- Aircraft Grade, High Strength Aluminum.
- Optimum Fuel Economy & Weight Distribution for Better Control.
- Weight Reduction Reduces Vehicle Front End Fatigue.
- Satisfies Auto Maker's Concerns on Front End Weight Limitations.
- Steel Models Are Also Available.

### Proven Designs for Law Enforcement

Setina's High-Strength, Impact Resistant Fender Protectors and Headlight Guards are the #1 Choice of Law Enforcement.



### LED Lighted Push Bumpers

The 450-L is completely factory preassembled and wired for quick and easy installation. Wiring is protected within Push Bumper assembly.



**LOAD IT UP!**

**Maximize Your Setina Push Bumper Capabilities**

Setina's New Police Bike Rack is the Latest Design in Push Bumper Mounted Bike Transport. Unique Folding Design for Quick Easy Mounting, Removal and Storage, and is Adjustable for Multiple Bikes.

**Not Just for Police Bikes**

Have you had to arrest a suspect with a bicycle? How do you transport both the suspect and the bicycle? Wait for a support vehicle? Get the Police Bike Rack, get it loaded and get on with your day.



Patent No. D933,579

**Simple, Easy, Secure Mounting**

- Collapsible Design for Quick, Easy Mounting Removal and Storage.
- Holds two Bicycles.
- Eliminates the need for second bike transport Vehicle.
- Easy "Hassle Free" Bike Loading.
- Stainless Steel Bolt Fasteners.
- Adjustable for nearly all bike types.
- Universal for fitment on most Setina Push Bumpers.



**Low-Profile Design, Anti-Rattle**

- Adjustable Anti-Sway, Rubber-Coated Bike Cradles
- Durable, Black Powder-Coated Finish
- Folds Together For Compact Storage



**MAXIMIZE YOUR PUSH BUMPER!**

**Best Bike Rack Carrier options for Police Vehicles**

When you need to carry your bike by car, you want to do it as easily and securely as possible. That's why we recommend the Setina Police Bike Rack as the best option for carrying two bicycles on your Push Bumper. After researching more than 220 bike racks and testing about 70 in recent years, we've found that the Setina Bike Rack offers the best combination of solid construction, ease of use, is light weight, and is at a reasonable price.



Patent No.  
D933,579

**Simple, Easy, Effective**

Of the hanger-style hitch racks we tested, this is one of the easiest to install and use. Its lightweight, Aluminum holds one or two bikes securely, and lets you access your vehicle even when the rack is loaded.

And for style-conscious riders, the Setina Police Bike Rack looks great, with its Black powder-coat finish and Soft nylon accents.

**No Tools Or Assembly Required**

*Simple Design Integrates with most Setina Push Bumpers. Zero contact with frame.*



**Front Loading Rack**

*Aerodynamic bike mount on your vehicles' Bumper. Carries two complete bikes. No wheel removal needed.*



## Setina's "XL" Xtra Legroom Partition Design

### Our Most Popular Design

Setina's® patented line of "XL" Side Curtain Airbag Compatible Partitions. Based on our popular Space-Saver, "RP" Recessed Panel design with Xtra Legroom. Our Suspended Mounting System anchors to vehicle's B-Pillars, eliminating partition floor mounting brackets with no foot obstructions in vehicle foot well area.

### Maximum Clearance for Entry and Exit

Unique Open Contoured Design provides officer with the easiest prisoner loading and unloading. Recessed storage panel between front seats provides extra space for consoles, mounting vertical gun locks, other accessories and gear.



### "XL" Xtra Legroom

Modified steel framework provides strength with no leg obstructions for maximum design strength. Enlarged passenger side back panel recess also provides additional leg and foot room that prevents foot entanglement while offering maximum leg room for both officer and prisoner.



"XL DOES IT ALL"  
MAXIMUM CLEARANCE

#### Patent No.

- US D876,301 S
- US 10,005,416 B2
- US 10,005,416
- US 9,469,229 B2
- US 9,033,389 B2
- US 8,708,388 B2
- US 7,726,688 B2
- CA 2,571,153



AIRBAG COMPATIBLE SYSTEM

# SETINA HAS YOUR STYLE

# SETINA

## The Setina Difference

### PRECISION MOUNTING IS A CRITICAL PART OF OUR DESIGN

Setina's "BodyGuard" Partitions are Professionally Designed for maximum strength, durability, and ease of installation. All Partitions feature welded and formed steel construction, heavy duty roll bar style framework, and are finished using a multi-step powder coat process for added durability.

Superior, Laboratory Tested Side Curtain Airbag Compatible Mounting Systems are designed to mount to the strongest points inside the vehicle. Creating Space-Saving efficiency for maximum driver and passenger legroom.

Coated Scratch-Resistant Polycarbonate Lexan® is the Standard in Setina Partition Windows and recommended to our Customers, to prolong the life and clarity of your window, and comes with a 7 year manufacturer's warranty against breakage.



Patent No. US D876.301 S

**DXL - DUAL XTRA LEGROOM RECESSED PANEL PARTITION**  
( Includes Lower Extension Panel )



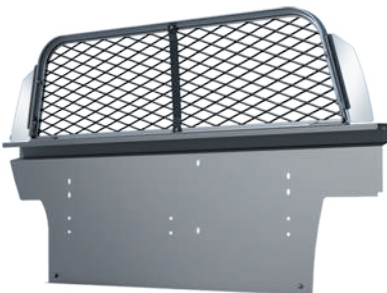
**XL - XTRA LEGROOM RECESSED PANEL PARTITION**  
( Includes Lower Extension Panel )



**RP - RECESS PANEL PARTITION**  
( Extension panel not included on sedan models )



**S - FLAT BACK PANEL PARTITION PANEL**  
( Extension panel not included on sedan models )



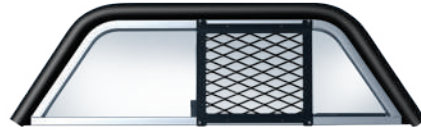
**12VS - REAR CARGO PARTITION**  
( Vinyl coated expanded metal or coated polycarbonate )



**MODEL 10 HORIZONTAL SLIDING**



**MODEL 10-C2 HORIZONTAL SLIDING**  
With Slotted Polycarbonate window cover



**MODEL 10-C HORIZONTAL SLIDING**  
With Expanded Metal window cover



**MODEL 9 VERTICAL SLIDING**  
Polycarbonate



**MODEL 8 STATIONARY WINDOW**  
½ Vinyl Coated Expanded Metal  
½ Polycarbonate



**MODEL 7 STATIONARY WINDOW**  
Vinyl Coated Expanded Metal



**MODEL 6/7 STATIONARY WINDOW**  
Vinyl Coated Expanded Metal  
Polycarbonate window



**MODEL 6 STATIONARY WINDOW**  
Polycarbonate window



**MODEL 5 FOLD DOWN WINDOW**  
Polycarbonate window

## Single Transport Solutions

**AVAILABLE FOR SEDANS,  
SUVs & TRUCKS**

Single Prisoner Transport Partitions provide a secure area to transport the detainee, while maximizing driver comfort and accessory storage.

Setina Single Transport design includes a full roll bar-type framework for added structural integrity for your vehicle.

The unique S-Bend Design positions the Single Prisoner Transport Partition further back on the Driver's Side than on the Passenger's Side, providing full driver's seat travel and recline.

Front partition window available with Coated Scratch-Resistant Polycarbonate (Lexan) or with Vinyl Coated Expanded Metal. SUV's Require a #12 Rear Compartment Partition *( Not included )*

### Maximum Ventilation

All Setina Single and Dual Prisoner Transport Partitions are designed with ventilation holes, allowing for maximum airflow for rear passengers.

Ventilation holes are covered to prevent prisoner contact and the hiding or transferring of contraband.

### Single Transport Seating System

Advanced design "TPO" Transport Seating Systems is available in optional Full Replacement Style or "Precision Fit" Cover Style design.

When the Single Prisoner Transport Partition is installed with a "TPO" Seat, Floor Pan and Door Panels, it gives your vehicle an OEM factory appearance.



### Single Prisoner Transport with Factory Seat

Partition available with Coated Scratch-Resistant Polycarbonate or Vinyl Coated Expanded Metal Window  
*( Rear Partition Sold Separately )*



### Single Prisoner Transport with full TPO Seat

Partition available with Coated Scratch-Resistant Polycarbonate or Vinyl Coated Expanded Metal Window  
*( Rear Partition Sold Separately )*



## ***Convert Your Existing Partition to a Dual Prisoner Transport***

Setina's Dual Prisoner Divider Wall Kit allows you to convert your existing partitions to a Dual Prisoner Transport System.

# SETINA

## **Dual Prisoner Transport For Law Enforcement**

### **Convert Your Existing Partition to a Dual Prisoner Transport**

Setina's Dual Prisoner Divider Wall Kit allows you to convert your existing partitions to a Dual Prisoner Transport System for the Separate Transport of Two Detainees. Made of Impact and Scratch Resistant Coated Polycarbonate for added strength and product longevity.

Our Dual Prisoner Divider Wall Kit is designed to Easily Mount to your Existing Prisoner Transport Partition, which separates suspects from rear cargo and front passenger and driver. ( pictured left )

### ***Dual Prisoner Transport Panel Kit***



### **Maximum Ventilation**

All Setina Single and Dual Transport Partitions are designed with ventilation holes, allowing for proper airflow for rear passengers.

Ventilation holes are covered to prevent prisoner contact and hiding or transferring contraband

*( SUV'S Require a Model # 12 Rear Compartment Partition )*

# SETINA

## OEM Replacement Seating

### Prisoner Transport Systems

- Stand Alone, OEM Replacement Seating Systems.
- Contour design for Maximum Prisoner Legroom and Contraband Control.
- Center Pull Seat Belt System eliminates Officers' need to reach across suspect to buckle seat belt.
- Available with Original Center-Pull Seat Belt System or with SmartBelt Electronic Seatbelt System.
- Molded seat back recess provides additional space for suspect's handcuffed arms.
- Heavy Duty, Moisture and Pathogen Resistant.

### THE "TPO" ADVANTAGE

WHAT IS TPO? "TPO" or Thermoplastic PolyOlefin is the highest automotive grade polymer (plastic) used as "the standard" by the auto industry. "TPO" is shatter, flame and chemical resistant and exceeds NHSTA regulations. It is far superior to ABS plastics.



### Setina OEM "Replacement" Seating

Designed for Maximum Rear Passenger Legroom.



SMARTBELT ELECTRONIC RETRACTOR  
LOCKING SYSTEM  
PATENT NO. US 11,104,296



# SETINA

## Precision Fit Seat Cover

### Prisoner Transport Systems

Don't Store Your Seat! Setina's "Precision Fit" Cover Style Seating Systems install with a precision fit, right over the vehicle's existing seat. Unlike other models, our Cover Style seating system design eliminates the need to remove and store your vehicle's OEM factory seat. Available with our Advanced Center Pull System or our Newest Electronic "SmartBelt" System.

- Laser Measured for Precision Fit.
- Installs right over the vehicle's OEM seat, eliminating the need to remove and store your factory seat.
- Designed to maintain the Optimal Rear Seat Occupant Placement.
- Center Pull Seat Belt System eliminates Officers' need to reach across suspect to buckle seat belt.
- Available with Original Center-Pull seat belt system or with our Electronic SmartBelt Seatbelt System.



## Precision Fit Cover Seating

Cover Style seating system design installs with a precision fit, right over the vehicle's existing seat.



SMARTBELT ELECTRONIC RETRACTOR  
LOCKING SYSTEM  
PATENT NO. US 11,104,296



# ELECTRONIC SEATBELT SYSTEM

## JUST CLICK IT!

### Setina's Smartbelt

Setina's "SmartBelt" System is the Latest Technology in Center-Pull Seatbelt Design.

#### WHEN BELT IS BUCKLED:

- Seat Belt Retractor is Electronically Locked in "Retract-Only" Mode.
- Retractors Automatically Lock to Secure Detainee.

#### WHEN BELT IS UN-BUCKLED:

- Warning Light Activates, Notifying Officer.
- Retractor Unlocks, allowing "Free-Spool" of Belt.



#### THE SMARTBELT FEATURES:

- Automatic Electronic Retractor Locking System.
- Retractor Locking Mode Alert Light.
- Stays in Lock Mode even during power loss.
- FMSS Approved Components.
- Quick, Easy Installation.
- Compatible with Replacement, Cover Style or Factory Seats.
- Retrofit Kit available for standard center-pull seat belt systems.



#### ALERT LIGHT

- Notifies Officer if Detainee is Unbuckled.
- Easily mounts to console, partition, or dash.
- Radio console not included.



PATENT NO. US 10,688,960

**SMARTBELT**  
ELECTRONIC RETRACTOR  
LOCKING SYSTEM  
PATENT NO. US 11,104,296



# SETINA

## Laboratory Tested

### FMVSS 207/210 COMPLIANT CENTER PULL SEAT BELTS

Setina's Center Pull Seat Belt System is uniquely designed for the seat belt buckle to be docked in the "Park Position" on the prisoner partition when not in use. When belting the suspect for transport, the officer simply moves the buckle from the "Park Position" on the partition to the outer latch "Transport Position" on the transport seat, eliminating the need to reach across suspect, significantly reducing officer contact with the rear passenger.

### REAR OCCUPANT BODY PLACEMENT

Proper Rear Seat Occupant Placement is a critical part of The Automaker's Engineered Airbag Deployment Systems. Setina's® Advanced Airbag Compatible Design maintains the Rear Seat Occupant Placement.



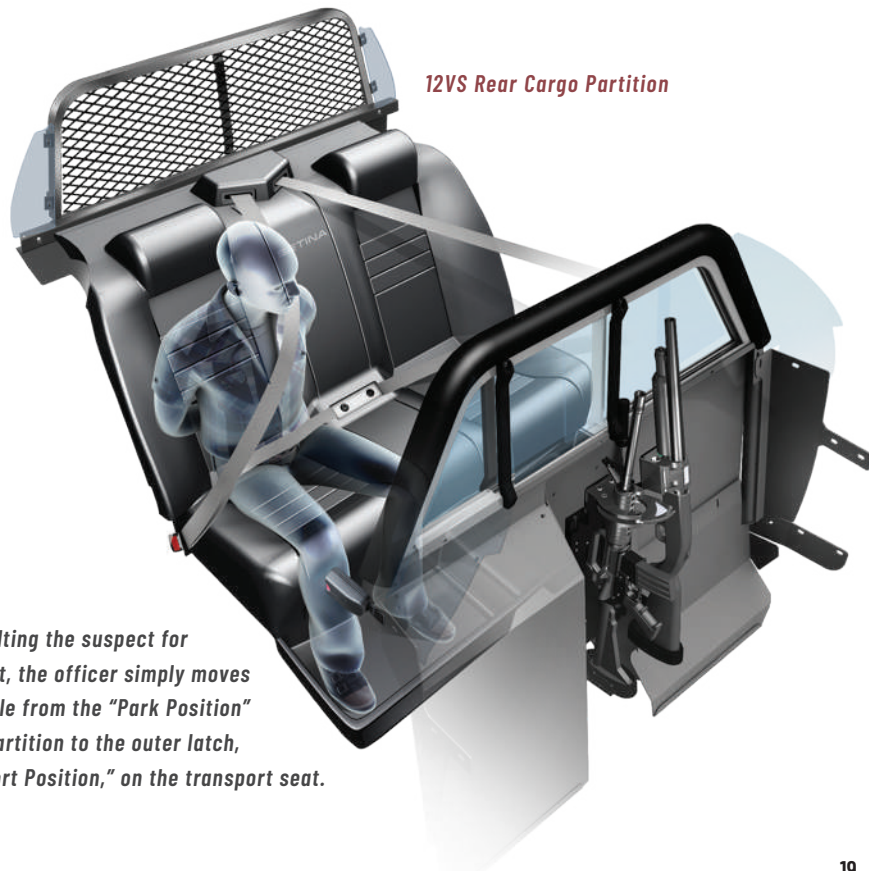
Available with Vinyl Coated Expanded Metal or Coated Scratch-Resistant Polycarbonate Windows.

( SUV Models require a Rear Cargo Compartment Partition. )

# CENTER PULL SEAT BELTS

## FEDERAL MOTOR VEHICLE SAFETY STANDARD 207/210 COMPLIANT SEAT BELT ASSEMBLY

- Professionally Designed and Laboratory tested to meet the rigorous 207/210 FMVSS Seat Belt Standards.
- Maintains OEM's Body Position for Airbag Deployment.
- Seat and Belt System Designed for Officer and Occupant Ease and Security.



12VS Rear Cargo Partition

When belting the suspect for transport, the officer simply moves the buckle from the "Park Position" on the partition to the outer latch, "Transport Position," on the transport seat.



## Simple Solutions For Complex Firearms

### VaultLock Features

- Enclosed, one-piece, shroud and lock design.
- Provides added protection to critical firearms components.
- Prevents firearm's disassembly by making take down pins, magazine and trigger inaccessible.
- Secured with Tamper Proof Security Fasteners.
- Rounded "Anti-Scuff" strips for easy Firearm Removal and Insertion.
- Adapter plate for Weapon flexibility.
- Fits most configurations of AR-15's, and M4's with collapsible stocks & rails.
- Compatible with firearm accessories.
- Provides Quick, Easy Firearms access.
- Compatible with any Setina Dual or Single T-Rail Firearm Mounting System.
- Heavy Duty, Light-Weight Aircraft Grade Aluminum.

### T-RAIL TECHNOLOGY

T-Rail Weapon Systems provide maximum adjustability and flexibility to accommodate multiple weapons and lock heads. Available in Double or Single Mount models, with Universal, Small, Large, "VaultLock", or Blac-Rac lock options. Fits XL, Recessed Panel and Flat Panel Partitions.



Patent No. US 9,883,743 B2

# SETINA

## Partition & Freestanding Mounting System

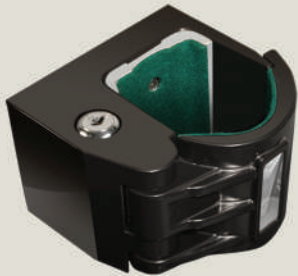
### AVAILABLE LOCKS



UNIVERSAL LOCK



SMALL LOCK



LARGE LOCK



BLAC-RAC SHOTGUN



BLAC-RAC



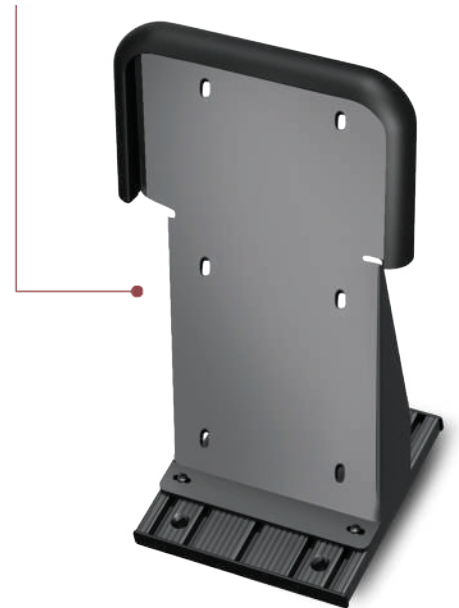
### PARTITION MOUNT

*Shown with Universal and Small Lock*



### FREESTANDING BASE

*Setina's Modular Design allows the transfer of the T-Rail Weapon System between Partition Mount and a Free-Standing Mount*



### FREESTANDING MOUNT

*Shown with the Universal & Small Lock.*

Distributed Exclusively  
By Setina

## TACTICAL WEAPONS MOUNT FOR LAW ENFORCEMENT

BLAC-RAC'S® design is the most Versatile, Compact Weapons Retention System Available. Multiple Weapons, Multiple Locations, Multi-Purpose.

### *Available In Electronic Or Manual Models.*

- Accommodates all weapon platforms.
- Optics Friendly for Scopes, Optics Lights or Lasers.
- Handles 30 round magazine when firearm is mounted.
- 360 degree swivel and 45 degree offset positioning.
- Adjusted for Slim or Wide Receiver Firearms.



### *4130-M Shotgun Weapon Mount*

- Machined from aluminum billet for superior strength.
- Retains weapon even if unit is unlocked.
- Secures weapon tightly to reduce vehicle vibrations.
- Side saddle and optics friendly.

## FIRST TRUE TACTICAL WEAPONS MOUNT FOR LAW ENFORCEMENT

*For shotguns, automatic weapons or less than lethal weapons.  
The most versatile, compact weapons retention system  
available. Multiple Weapons, Multiple Locations, Multi-Purpose.*



**THE COLD WIRE®**

Modulator, in conjunction with The BLAC-RAC Electronic "E" Models Eliminates Hot Wiring.



**Combat-Hot Wire With Cold Wire®**

**TECHNICAL INNOVATIONS IN FIREARMS SECURITY**

The COLD WIRE® Pulsed Power Modulator, in conjunction with the BLAC-RAC® electronic "E" models are the ultimate secured weapons retention systems.

**Cold Wire® Features**

- Complies with SAE J994 Type C.
- Connect directly to siren/control box.
- Undetectable inside vehicle.
- Proprietary code generator & receiver.
- Non-radiating (No EMI).
- Easy Installation.
- Cannot be "skimmed" or detected.
- BLAC-RAC® weapons systems compatible only.

**Blac-Rac® 1082 E Features**

1. Proprietary integral key lock, key cannot be copied.
2. Durable, glass-filled nylon handle.
3. Vertical motion handle allows installation in tight spaces.
4. Over-the-center clamp action retains weapon in unlocked position.
5. Slam latch allows quick closing.
6. Eccentric pistol grip rest field adjustable to fit a variety of weapons.
7. Exclusive, non-marring pads secure weapon, protect contact points.
8. Reinforced trigger post.
9. Internal encapsulated microprocessor standard delay of 8 seconds before re-locking.
10. Single point mounting base, for unlimited mounting options.

**SIREN CONTROL BOX**

# DOOR GUARD SYSTEM

## DOOR & WINDOW BARRIER SET

Is your total solution to Window and Door protection. The best of Industry Design matched with the Latest Advancements in Material Technology provides the perfect combination



Three Styles Available

Designed for Maximum Visibility

Impact Resistant Polycarbonate



Thick TPO Polymer

Ideal Contraband Control

Contour Fit over Existing Door Panel

Concealed Mounting with OEM Fasteners

Patent No.  
9.09.216 82  
8.615.932 82  
D716.710S

## TPO DOOR GUARDS

Setina's TPO Door Guards are the Next Generation of interior door protection. Unlike other models, there is no longer the expensive need to remove and store the factory door panels.

The Door Guards are easily installed and fit right over the vehicles existing door panels, giving the professional appearance of factory door panels. Our Advanced Technology Door Guards are made of thick-gauge TPO polymer and exceed NHTSA regulations. TPO is Flame Resistant and Nearly Indestructible. Superior to ABS.

*Easy Install  
One Piece Heavy  
Gauge Door Guard  
Steel or Aluminum.  
Black Powder  
Coat Finish.*





# WINDOW BARRIER SYSTEMS



Window Barriers - Polycarbonate  
( Coated Scratch Resistant )



Window Barriers - Horizontal Steel  
( Black Powder Coat Finish )



Window Barriers - Vertical Steel  
( Black Powder Coat Finish )



## Enhanced Security for the Cargo Area of Law Enforcement Sport Utility Vehicles

Setina's® 3-piece Rear Window Guard System provides Maximum Visibility and Quick, Easy Installation. Heavy duty black powder coated steel and aluminum construction, with radius corners that eliminate abrupt edges. Rear Window Guard designed to accommodate most "Traffic Advisor" Signaling Systems.



*SHOWN WITH OPTIONAL TRAFFIC ADVISOR LIGHT ( Not Included )*



AVAILABLE FOR FORD INTERCEPTOR AND CHEVY TAHOE



**Rear Cargo, Firearms  
And Electronics Storage**

**SECURE, LIGHT WEIGHT, VERSATILE**

Setina's Cargo Storage Systems are available in multiple tiers and configurations to meet your department's needs. The top tier is available with any Setina lock option. Lower slide out equipment tray tier is designed with 300 lb. capacity, lock-in, lock-out Accuride slide rails. **OPTIONAL** 3rd tier for electronics storage, see below. Constructed of heavy duty, light weight, aircraft grade aluminum, our storage system's universal SUV design also provides for a quick, easy, no holes drilled installation.

*Products Sold Separately*



*3 drawer Cargo Storage System with  
Combination lock*

**Stowaway White Board**

Setina's Slide-Out White board comes in both top or bottom mount configurations. An Ultra Durable, Magnetic, Dry-Erase White board with 17.5" x 33" writing surface. The sliding, hide-away storage allows for easy access, deployment, and organization.



***Setina's Above Industry Standards***

*Above Industry Standards. Our Environmentally Friendly "Eco-Treat" Process helps to Protect our Environment and Exceeds Automotive Industry PPAP Standards*



**Lift-Top, Fixed Box**

- RFID Lock: LFR
- Electronic Combination: LFE
- Mechanical Key Lock: LFK
- Mechanical Combination: LFC



**Sliding Drawer**

- RFID Lock: DSR
- Electronic Combination: DSE
- Mechanical Key Lock: DSK
- Mechanical Combination: DS



**Tray, Open Top**

- No Lock: TOA



**Tray Fixed**

- No Lock: TFN



**Base, Sliding**

- No Lock: BSN
- RFID Lock: BSR
- Electronic Combination: BSE
- Mechanical Key Lock: BSK
- Mechanical Combination: BFC



**Radio/Accessory Tray**

- No Lock: TRN

**Lock Options For Your Cargo Storage System**

**ELECTRONIC LOCKING SYSTEMS**

The top tier is available with any Setina lock option, including our NEW keyless RFID or KEY PAD locking systems.



**RFID**

Electronic Self Containing Lock



**KEY PAD**

Electronic Self Containing Lock



**COMBI LOCK**

Combination Only



**T-HANDLE**

KEY LOCK



**COMBO PUSH BUTTON**

KEY LOCK

# EASY-LIFT CARGO LIFT DECK



## Setina Easy-Lift Cargo Deck

*Provides a secure solution for rear deck electronics, Optional Fan for radio equipment.*

Locking, Three Piece Design

Optional Dura Deck Rubber Cover

Optional Fan For Radio Equipment

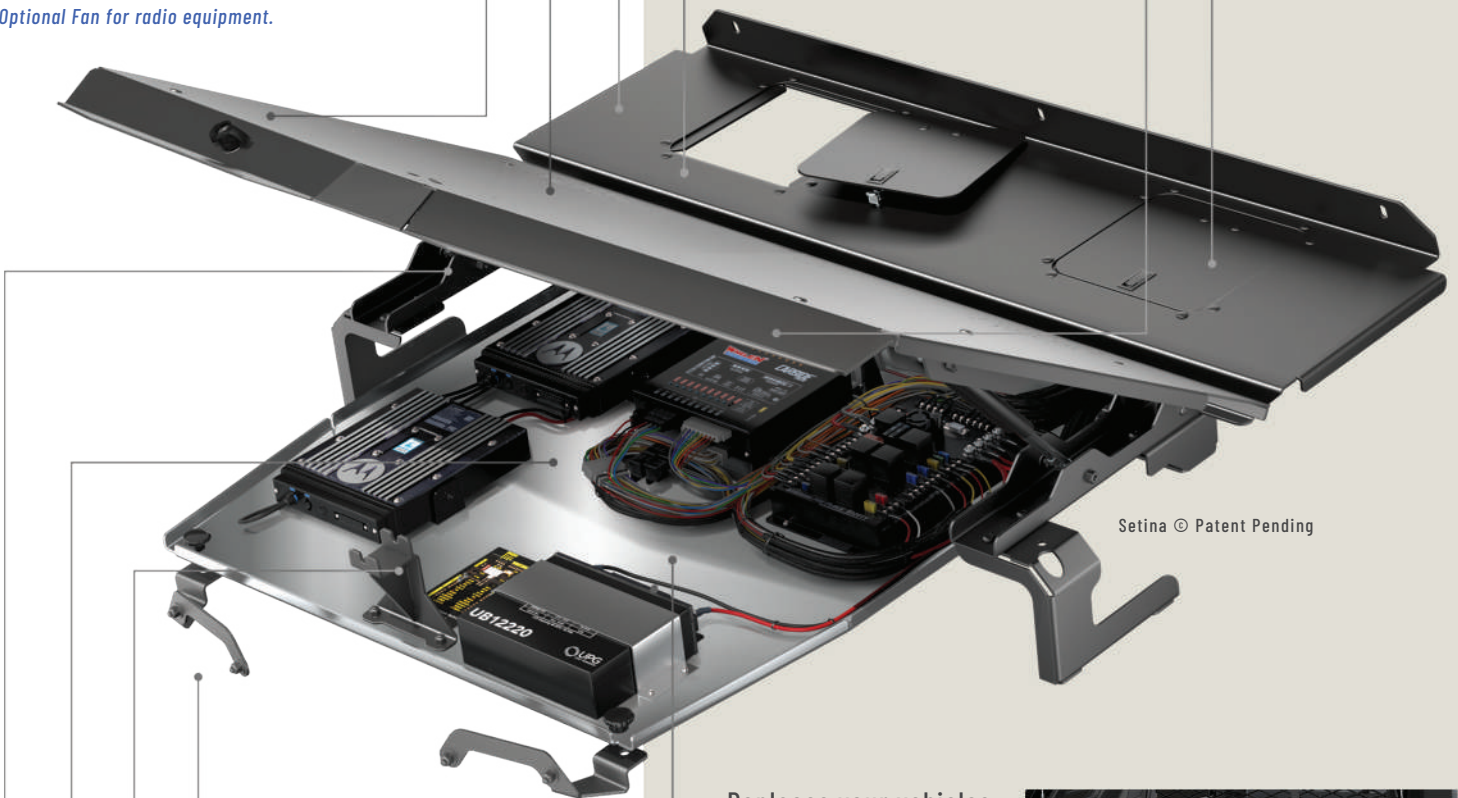
Hideaway Equipment Tray

Rear Lid Assembly

Completely Rattle-Free

## EZ-LIFT LID LOCK

T-Handle Finger Lock Kit  
Clockwise T-handle with long shank for secure seal



Setina © Patent Pending

Heavy Duty Front Brackets

Lockable Lift Top Removable Hatch

Aircraft Grade Aluminum

Access To Electronics, Cargo, Spare Tire

Heavy-Duty Gas Struts

Replaces your vehicles  
factory deck

*And cargo storage, along with easy  
spare tire access.*

*Compatible with other Setina  
cargo storage systems*



## You Are In Command With Setina Solutions

### DUAL DRAWER STORAGE SYSTEM

Setina's Dual and Single Drawer Rear Cargo Storage systems are designed to integrate perfectly with our Easy Lift II Rear Cargo Storage system.

- Dual or Single Drawer design.
- Heavy Duty Aircraft grade aluminum construction.
- High capacity lock-in, lock-out slide rails.
- Available with Simplex or Key Handle locks.

*( Requires Easy-Lift II )*



### COMMAND CENTER

Setina's Command Center, designed to integrate with Easy Lift II, and Dual or Single Drawer Systems.

- Heavy Duty Aircraft grade aluminum construction.
- Sliding white board and laptop platform.
- Optional: Lower slide storage compartment.

*( Requires Easy-Lift II and Dual or Single Drawer System )*



### EASY-LIFT COMMAND CENTER

Multiple configurations available



### DUAL DRAWER STORAGE

Shown with Key Handle Locks



### EASY-LIFT II CARGO DECK

Maximizing Every Inch of your  
vehicle's Cargo Storage

# SETINA

## Rear Cargo Management System From Setina

### OFFERING OPTIONS FOR YOUR GEAR

#### Constructed of Heavy Duty Aircraft Grade Aluminum

Setina's New Rear Cargo Deck System is Designed to Maximize the Tahoe PPV's cargo capabilities.

The Cargo Deck is easily installed and provides a Flat Loading Floor along with two Lower Storage Bays for Cargo, Electronics and Firearms.

#### Maximize Your Cargo Capacity

The Forward Bay includes a Vented Lid for Electronics. The Rear Bay includes a Gas-Strut Assisted Lid and Lock for Firearms and Cargo storage.



TAHOE PPV CARGO DECK



DURANGO PURSUIT CARGO DECK



### Cargo Deck, Drawers and Anti-Rattle Trays

- Lower Rear Bay comes with a removable vented access plate for electronics storage
- Versatile design works with or without a rear partition and is compatible with Setina's Cargo Box Systems

# REAR STORAGE BOXES & TRAYS

# SETINA

A



**SINGLE DRAWER CARGO STORAGE**  
Available E-Z Lift in Elevated Mount  
( Shown with Optional Radio Tray )

B



**DUAL DRAWER CARGO STORAGE BOX**  
( Floor Mount-Tahoe Only )

C



**HALF DRAWER CARGO STORAGE BOX**  
( Available EZ-Lift or Floor Mount )

D



**ELEVATED CARGO / RADIO TRAY**  
( Available with Electronic Cover )

E



**PASSENGER CAR TRUNK TRAY**  
( Electronics Not Included )

## Offering Options For All Your Gear

### A SINGLE DRAWER CARGO STORAGE BOX SYSTEM

- Our "Popular" Single Drawer Design.
- Heavy Duty Aircraft Grade Aluminum.
- Available in EZ-Lift or Elevated Mount.
- Heavy Duty Slide Rails.
- Multiple Locking Systems Available.
- Optional: Lower Electronics Tray.

### B DUAL DRAWER CARGO STORAGE BOX SYSTEM

- Heavy Duty Aircraft Grade Aluminum.
- Floor Mounted Design.
- Heavy Duty Slide Rails.
- Handle Key or Combi Lock.

### C HALF DRAWER CARGO STORAGE BOX SYSTEM

- Heavy Duty Aircraft Grade Aluminum.
- Available in E-Z Lift or Floor Mount.
- Heavy Duty Slide Rails.
- Simplex Lock.

### D ELEVATED SINGLE TRAY SYSTEMS

- Heavy Duty Aircraft Grade Aluminum.
- Elevated Mounting System.
- Optional Slide-In Aluminum .  
Electronics Cove.

### E PASSENGER CAR REAR CARGO

- Heavy Duty Aircraft Grade Aluminum.
- Tray for Firearms and Electronics.



## Maximum Space For Large Working Dogs

### SETINA ULTIMATE K-9 II

Designed to provide maximum space for large working dogs. Easy K-9 deployment from the side or rear of the unit.

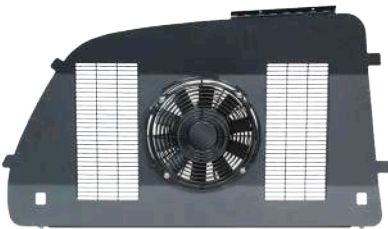
### The Top Dog in K-9 Transport

Designed by K-9 Handlers, for K-9 Handlers. The Ultimate II features Largest-in-Class K-9 Containment Area, Industry Exclusive TPO Prisoner Transport Seat, & Setina's Best-Selling Rear Cargo Storage Management System. Aluminum Alloy Construction Constructed of Heavy-Duty, Light-Weight, Corrosion Resistant Aluminum Alloy with a Rugged Powder Coat Finish.



### K-9 Window Barriers

The Ultimate K-9 comes complete with a Setina K-9 window barrier. Choose from either a standard window barrier, or windows with a 10" fan cut-out for additional ventilation.





## SETINA K-9

### SETINA ULTIMATE K-9 II

#### The Total K-9 System

- 1 High-strength aluminum alloy front partition with Full height sliding door.
- 2 Easy-Load Steps.
- 3 K-9 Unit Side Exit. Available on either Passenger or Driver Side of the Vehicle.
- 4 Removable 1½" thick, padded non-skid rubber floor mat.
- 5 High-strength aluminum alloy divider with ventilation slots.
- 6 Aluminum Window Barriers. One K-9 window ( fan options available. ) One prisoner window barrier.
- 7 Aluminum and TPO Door Guards. One black powder coated Aluminum K-9 door guard. One black TPO Plastic prisoner door guard.
- 8 Polycarbonate Rear Cargo Barrier.
- 9 Rear Cargo Storage System Multiple Configurations available. See pg. 18
- 10 Single Prisoner TPO Seat Included for Ford Utility only.

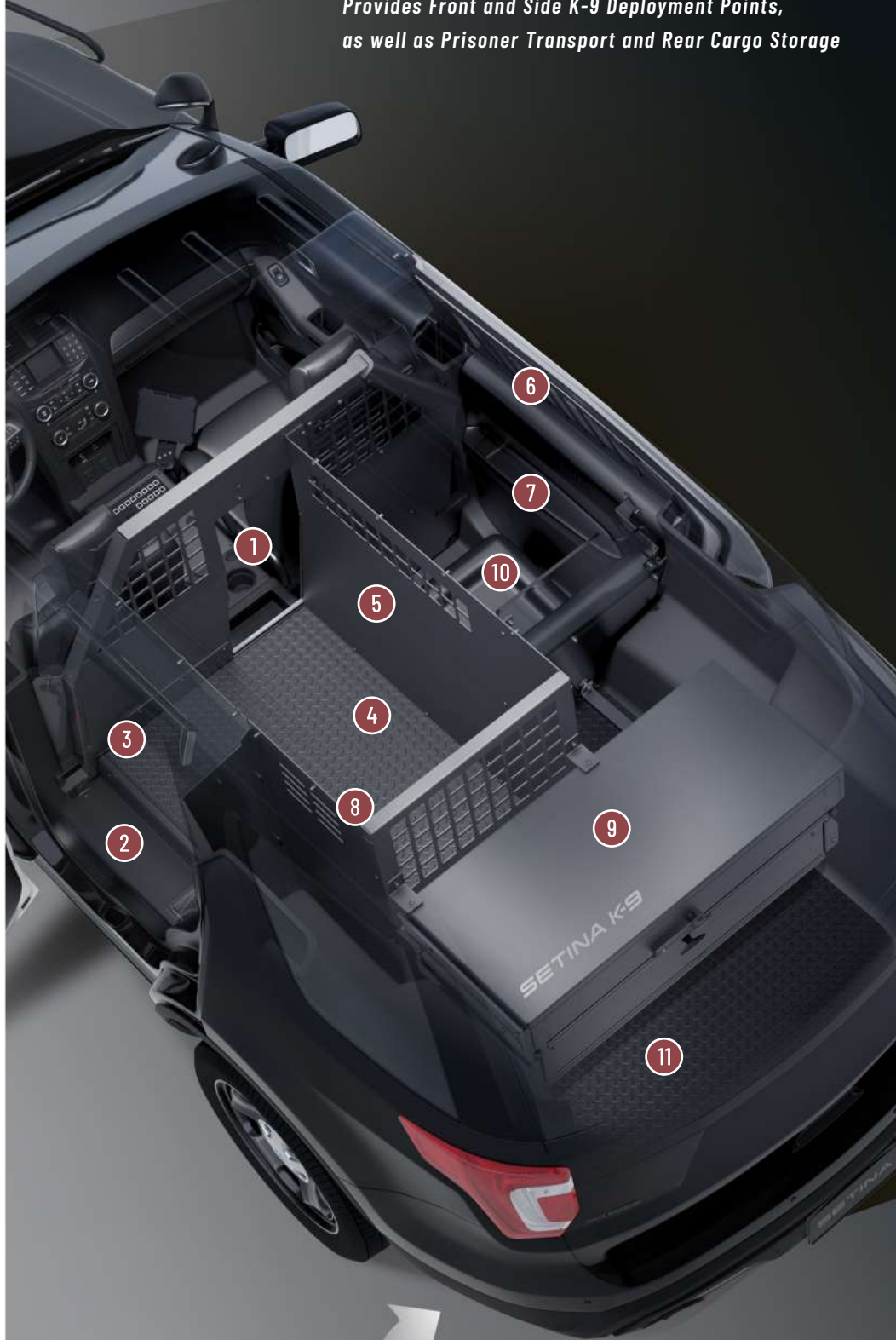
#### ADDITIONAL OPTIONS:

- 11 Easy-Lift Cargo Deck Storage. ( Not Included, See pg. 29 )

Premier K-9 Electronics Available.  
( Not Included, See pg. 35 )

#### TOTAL K-9, PRISONER, AND CARGO TRANSPORT

Provides Front and Side K-9 Deployment Points, as well as Prisoner Transport and Rear Cargo Storage



DESIGNED FOR EASY INSTALLATION,  
AND EASY SPARE TIRE ACCESS.

EZ-Lift Cargo Deck Storage

# SETINA K-9

## K-9 Transport Systems

### EQUIPMENT FOR THE WHOLE TEAM

#### A K-9 INSERT SYSTEM

- Aircraft Grade Aluminum Construction.
- Front Partition with Sliding Door for K-9 Front and Side Exits.
- Removable 1-1/2" Non-Skid Rubber Floor Mat.
- Aircraft Grade Aluminum Door Guards.
- Hinged Window Barriers for Easy Cleaning.
- Optional: Window Barriers with Cutout & Fan for added ventilation.  
( Durango, Ford Utility and Tahoe PPV, Charger )

#### B K-9 RETROFIT UNIT

- Aircraft Grade Aluminum Construction.
- Removable 1-1/2" Non-Skid Rubber Floor Mat.
- Aircraft Grade Aluminum Door Guards.
- Hinged Window Barriers for Easy Cleaning.
- Optional: Window Barriers with Cutout and Fan for Additional Ventilation.  
( SUV'S require Front and Rear Partitions - Sold Separately )  
( Cars and Trucks Require a Front Partition - Sold Separately )  
Durango, Ford Utility and Tahoe PPV, Charger

#### C K-9 ULTIMATE II - K-9 & SINGLE PRISONER TRANSPORT SYSTEM

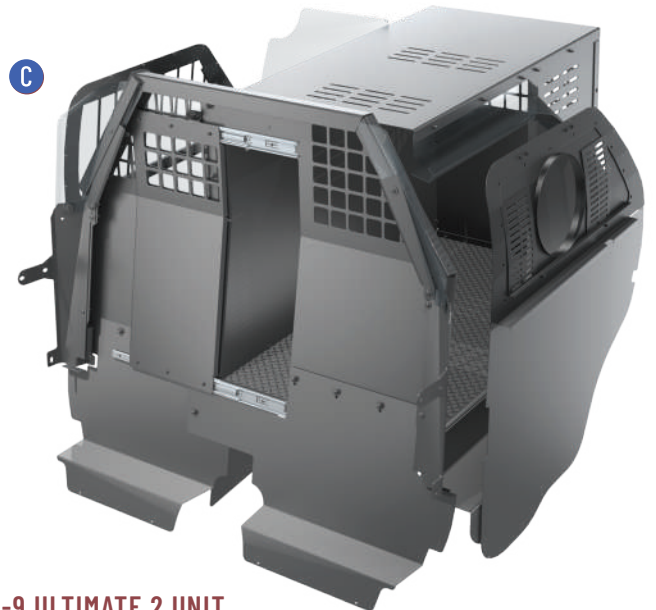
- Aircraft Grade Aluminum Construction.
- Front Partition with Sliding Door for K-9 Front and Side Exits.
- Aluminum Divider Wall with Ventilation Slots and Polycarbonate Rear Cargo Barrier.
- Removable 1-1/2" Non-Skid Rubber Floor Mat.
- Aluminum Door Guard K-9 side and TPO Door Guard on passenger side.
- Hinged Window Barriers for Easy Cleaning.
- Optional: Window Barriers with Cutout and Fan for Additional Ventilation.
- TPO Single Prisoner Seat Included for Ford Utility.
- Aluminum Single Prisoner Seat Available for Tahoe PPV.  
( Cargo Box & K-9 Electronics Sold Separately )  
Durango, Ford Utility and Tahoe PPV



**K-9 INSERT UNIT**  
Tahoe, Durango, Ford Utilities



**K-9 RETROFIT UNIT**  
Tahoe, Durango, Ford Utilities



**K-9 ULTIMATE 2 UNIT**  
Tahoe, Durango, Ford Utilities

## K-9 Fans

### K-9 Kennel Fans

- Available with 7.5" Savvy Fan or 10" Maxi Fan.

### Window Barrier Fans

- Sedan Fan: 7.5" Savvy Fan.
- SUV & Truck Fan: 10" Maxi Fan.



SHOWN WITH 7.5" INCH SAVVY FAN

## K-9 Window and Door Guards

### Window Guards

Designed specifically to make windows easy to clean and allow greater visibility for the driver.

### Door Guards

Aluminum door panel kit. Formed to fit with mounting holes, easy to install and clean.



## Premier Canine System

### Hot Dog Temperature Monitoring System

- Temperature Monitor with Variable Heat Setting Control.
- Alerts Handler: Has Capability to Activate Vehicle Lights, Siren, Horn, & Windows.
- Bail Out Remote Door Opening System with HD Solenoid available.

### PREMIER K-9 controller



## Setina Skid Plates

### Protect Your Undercarriage

Setina's® aluminum undercarriage deflector skid plates protect the under body, power train and chassis components and help reduce potential repair costs due to damage.

High-strength, lightweight aluminum construction.

No drilling required for quick, easy installation.

Not necessary to remove skid plate for routine maintenance



# SETINA DELIVERS ON TOP TRUCK EQUIPMENT



## **Superior Selection of Bumpers, From Beginning to Final Finish**

*Designed and tested to perform in the most rugged conditions. Our Truck-ready bumpers are constructed of aircraft-grade aluminum to be extra-tough as well as lightweight for optimum performance. The original PB400 Series bumper designs available in steel or aluminum, or with the latest "LED" perimeter lighting technology.*

# SETINA

## Single Prisoner Transport "Max"

### The Ultimate Solution For Single Prisoner Transport And Interior Cargo and Electronics Storage for Crew Cab Trucks.

Setina's new durable design construction provides single prisoner transport and maximum interior storage.

Some exciting new features include:

A single prisoner transport polycarbonate partition (*sold separately*).  
Heavy duty pull-out cargo drawer system.  
Integrated radio and electronics storage bay.

### Load It Up!

Rear driver side lower storage deck with a heavy duty rubber protective mat and tie downs.

Available with optional upper secure storage deck for optimal storage possibilities.

Single prisoner transport seat with center pull Smartbelt system for maximum front and rear passenger legroom.



Includes Drivers Side Aluminum Door Panel. ( Passenger Side Sold Separately )



## Taking Transport Capabilities to the Next Level Efficiency

Compartmentalize the Ford Transit Prisoner Transport Vehicle (PTV) with Setina's "Transport Cell" or with Multiple Row Prisoner Transport Partitions.

### ENHANCED SECURITY TRANSPORT CELL

Setina's unique Enhanced Security "Transport Cell" is professionally designed to enclose your Transport Van's Second Row Seating Area. The heavy duty door design provides Dual Locks for added transport security.

## High Strength Window Guards

High Strength, High Security Design. Our Expanded Metal Window Guards are designed to mount securely within the vehicles window framework.



2

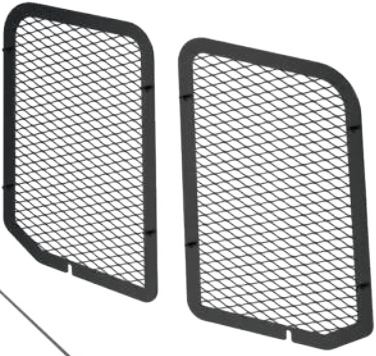
### Freestanding or Partition Mounting Firearms Systems

Setina Firearms Mounting Systems provide Maximum Adjustability and Flexibility. Available with Single or Double T-Rail Firearms Mounting Options, as well as with multiple lock configurations.

Page 20



# TRANSPORT VAN SOLUTIONS PACKAGE



WINDOW GUARDS, DESIGNED FOR STRENGTH AND VISIBILITY



5



2

3

4

**Enhanced Security Transport Cell Door**  
Lockable high-security panel latch



3

### Heavy Duty Push Bumper Design

Setina Push Bumpers provide law enforcement with Superior Push Bumper Designs, that ensure the highest quality in Durability and Performance. This means understanding the extreme field conditions our products will go through. *See Page 6*



1

### Our Original Classic Partition Design

Setina is Proud to Say that Our Original "Time Tested" Flat Panel Series Partitions, are still a favorite of Law Enforcement Fleets.

Our Superior, Patented Mounting Systems are designed for Quick, Easy Installation, mounting to the strongest points inside the vehicle, creating efficiency and maximum driver and passenger legroom.

LAW ENFORCEMENT'S #1 CHOICE



### Setina's State of the Art Production Facility

*Our Newest State of the Art Production Facility provides the latest technology in metal preparation and powder coating processes. Setina's extensive research and commitment to environmentally friendly manufacturing has proven us to be an environmental industry leader. True vision doesn't just see the future, it changes it. See how Setina builds, designs and perfects its products in our US facilities.*



### Designed, Built and Perfected Right Here in the USA

*Our Setina® American headquarters is where our ambitious engineers and designers create the next generation of law enforcement equipment. For 60 years our uncompromising adherence to Excellence in Engineering has set the foundation for our designs. In a competitive world, we are proud to set the standards.*

VISIT US ON THE WEB AT [WWW.SETINA.COM](http://WWW.SETINA.COM)



Products proudly Designed,  
Manufactured and  
Assembled in the USA

