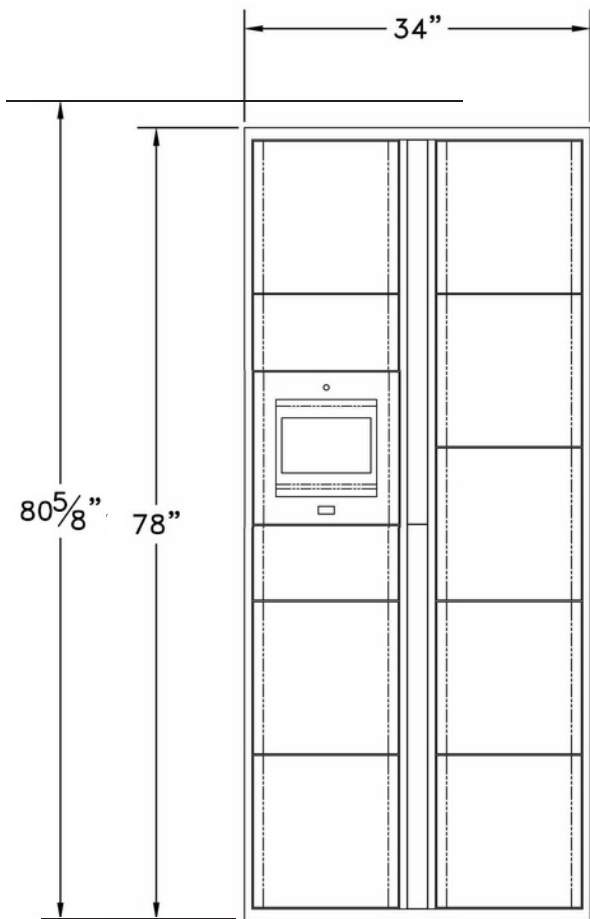


TECHNICAL SHEET

10 Door Controller



Size	H	W	D
	1981 mm 78 in	864 mm 34 in	500 mm 20 in

Box size	H	W	
	362 mm 14 1/4 in	318 mm 12 1/2 in	Large

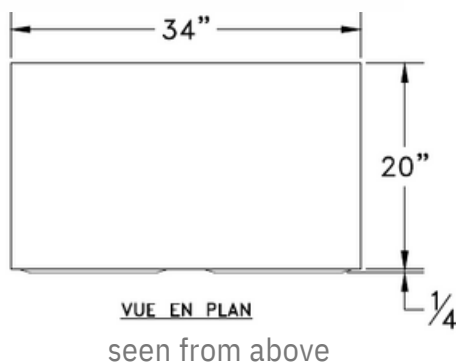
Voltage 110V / 7A

Temperature Inside Locker: -5°F to 122°F / -15°C to 50°C
Outside Locker: -40°F to 122°F / -40°C to 50°C

Gross Weight 300 LBS

Materials Interior: Steel | Exterior: Galvanized steel

IP Class Interior: None | Exterior: IP65



PARCEL ONE

Code # **PC10**