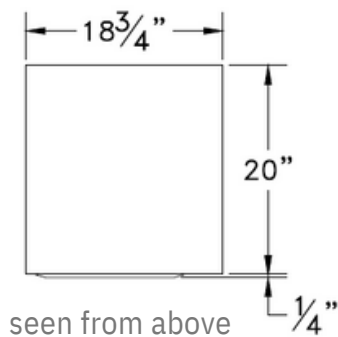
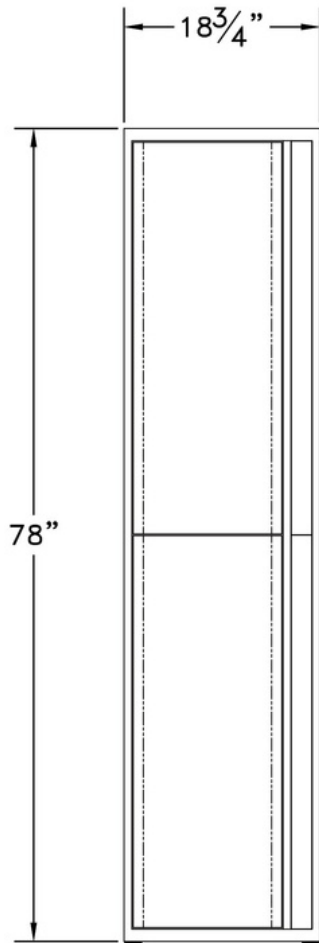


# TECHNICAL SHEET

## 2 Door Extension



Size	H	W	D
	1981 mm	457 mm	500 mm
	78 in	18 3 / 4 in	20 in

Box size	H	W	
	940 mm	318 mm	X-Large
	37 in	12 1/2 in	

**Voltage** 110V / 7A

**Temperature** Inside Locker: -5°F to 122°F / -15°C to 50°C  
Outside Locker: -40°F to 122°F / -40°C to 50°C

**Gross Weight** 175 LBS

**Materials** Interior: Steel | Exterior: Galvanized steel

**IP Class** Interior: None | Exterior: IP65



PARCEL ONE

Code # **PE2**