

HONDA

PARTS CATALOG

ATC90 ATC90K1

HC 30164

**AMERICAN HONDA MOTOR CO., INC.
100 WEST ALONDRA BOULEVARD, GARDENA, CALIFORNIA**

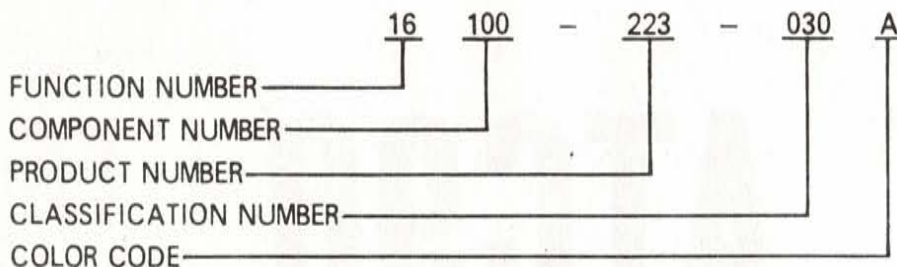
1st EDITION

PUBLISHED SEPTEMBER 1972

INSTRUCTION FOR USE OF PARTS CATALOG

PART NUMBERS

The following diagram defines the figures used in the new HONDA PART NUMBER SYSTEM.



When placing a parts order with AMERICAN HONDA, be sure to use the HONDA CODE (H/C) in conjunction with the PART NUMBER.

The HONDA CODE for each item shown will be listed directly to the left of the PART NUMBER. Those part numbers without HONDA CODE are not available.

ISO THREADED PARTS

Nominal Dia. (Size of Bolt or Nut)	Width Across Flats (Wrench Size)	
	Present J.I.S.	Modified J.I.S. (I.S.O.)
3 mm	6 mm	5.5 mm
4 mm	8 mm	7 mm
5 mm	9 mm	8 mm
6 mm	10 mm	10 mm
8 mm	14 mm	12 mm
10 mm	17 mm	14 mm
12 mm	19 mm	17 mm
14 mm	21 mm	19 mm
16 mm	23 mm	22 mm
18 mm	26 mm	24 mm
20 mm	29 mm	27 mm

New wrenches in the 5.5 mm, 7 mm, 12 mm, 22 mm, 24 mm and 27 mm sizes will be required for the modified bolts and nuts. All other sizes are currently in use.

This change in hex size affects only the wrench sizes; interchangeability of bolts and nuts is not affected.

Change in Thread Pitch – The standard thread pitches for all bolts, nuts, and screws in the 3 mm, 4 mm, 5 mm and 12 mm sizes are changed as indicated below:

<u>Nominal Dia.</u>	<u>Thread Pitch</u>	
	<u>Present J.I.S.</u>	<u>Modified J.I.S. (I.S.O.)</u>
3 mm	0.6	0.5
4 mm	0.75	0.7
5 mm	0.9	0.8
12 mm	1.5	1.25

These changes will affect the interchangeability of threaded parts in these sizes. Care must be taken to use the correct pitch to avoid stripping.

These changes will also require new taps and dies.

To help avoid confusion in the 3 mm, 4 mm, 5 mm and 12 mm size, wherein the thread pitch has been changed, the modified J.I.S. (I.S.O.) threaded parts used by Honda will be marked such that they can be readily identified. The marks used are as follows:

<u>PART TYPE</u>	<u>DESCRIPTION OF MARKING</u>
STD. HEX BOLT	A number, indicating the strength of the bolt, will be embossed on the top of the bolt head. This mark will appear on modified J.I.S. (I.S.O.) bolts of all sizes , but as explained above all sizes except 4 mm, 5 mm, and 12 mm (there are no 3 mm hex bolts) will interchange with the present J.I.S. parts.
SLOTTED HEX BOLT	There will be a hemispherical embossment (bump) on the top of the bolt head in the 4 mm and 5 mm sizes (3 mm and 12 mm slotted hex bolts are not in use).
CAP BOLT	There will be a hemispherical dimple on the side of the bolt head in the 4 mm, 5 mm and 12 mm sizes (3 mm not in use).
STUD BOLT	There will be a hemispherical dimple or embossment on the nut end in the 5 mm and 12 mm sizes (3 mm and 4 mm studs are not in use).
ALL CROSS RECESS SCREWS	There will be a hemispherical embossment on the top of the screw head in the 3 mm, 4 mm and 5 mm sizes (12 mm not used).

ALL NUTS

There will be a hemispherical dimple on **either the top or side** of the nut in all sizes with changed pitch. This will also apply to nuts that are permanently welded to other parts.

All mechanics and parts department personnel should read and understand this change-over, to avoid confusion and damage to threaded parts.

ENGINE AND FRAME SERIAL NUMBERS

The engine and frame numbers should be checked prior to ordering parts for a specific motorcycle. HONDA engine numbers are located on the left portion of the engine and frame numbers on the left side of the frame body.

Parts list serial numbers are coded (E) for ENGINE and (F) for FRAME to assist you in identification.

Modified parts will show ENGINE or FRAME serial number in the remark column. These numbers will designate the start (FROM) and finish (TO) production run for that item listed to its left.

Newly introduced items will be listed from initial part installation serial numbers.

ILLUSTRATIONS

To aid identification of PARTS, (exploded) illustrations are incorporated in this catalogue. Available items in the illustrations are identified by NUMBERS which correspond with the PARTS descriptions on the PARTS list.

A separate PARTS list is provided for each illustration. Reference numbers on the PARTS list duplicate identification numbers on the illustration for assistance in choosing the correct PART. Addition to the numerical reference numbers, we have used numeral-alphabet reference numbers for the convenience of adding new PARTS to the PARTS list.

Find the illustration of PART you require and check the accompanying PARTS list for its HONDA CODE, NEW PART NUMBER, DESCRIPTION, etc.

PARTS RETURN

PARTS may not be returned to AMERICAN HONDA without prior written authorization. Written authorization may be obtained by writing to AMERICAN HONDA MOTOR CO., INC., 100 West Alondra Blvd., Gardena, California 90247. We will correct any error which we were of primary fault. This would cover damaged

PARTS, (not caused in mishandling by the delivery source), wrong parts, incorrect quantities, etc. Advise us of discrepancies within five (5) days of receipt. AMERICAN HONDA is not responsible for PARTS – returned to us without written authorization.

ADDITIONAL INFORMATION

1. Dimensions of the PARTS in this catalogue are indicated in millimeter units.
2. L or R in the description of a PART stands for the LEFT hand side or the RIGHT hand side, which is decided by the direction of travel of the vehicle.
3. Many standard items, SPARK PLUGS, BOLTS, NUTS, WASHERS, PINS, which are in constant use are sold in multiples of ten and consideration when placing your order is advised.

4. ABBREVIATIONS

ASSY. – Assembly
COMP. – Complete

REF. – Reference
HEX. – Hexagonal

ADJ. – Adjusting
STD. – Standard



ATC90



ATC90K1

ATC90 FRAME NO.: 100122 TO 199999
 ATC90K1 FRAME NO.: 200001 TO SUBSEQUENT

* * * * * ADDITIONAL INFORMATION * * * * *

<u>H/C</u>	<u>PART NUMBER/DESCRIPTION</u>	
30164	ATC90/K1	Parts Catalog
23846	ATC90	Shop Manual
30194	ATC90/K1	Owners Manual

CONTENTS

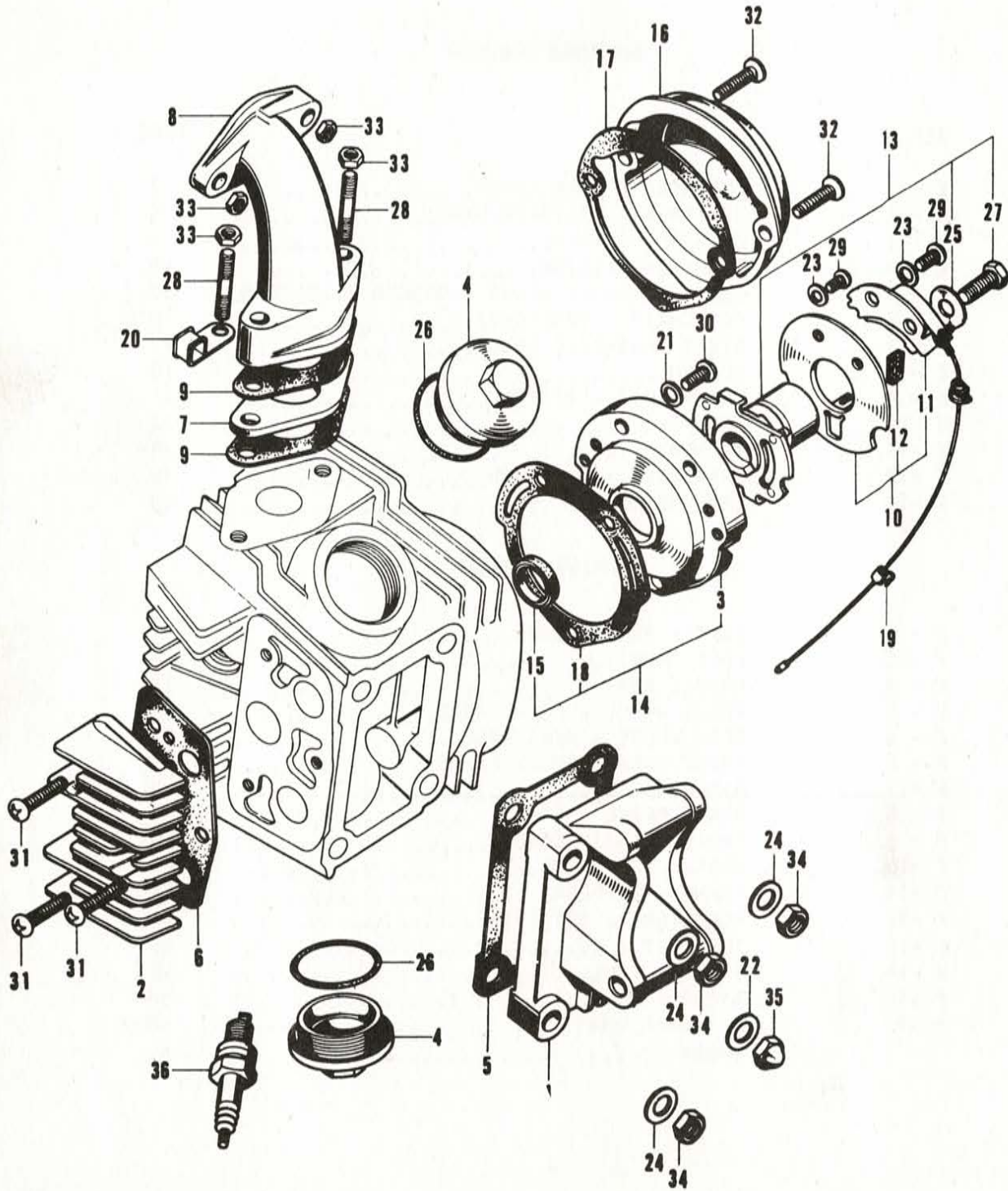
ENGINE GROUP

REF NO.		PAGE
E - 1....	CYLINDER • HEAD COVER.....	2
E - 2....	CYLINDER • CYLINDER HEAD.....	5
E - 3....	CAMSHAFT • VALVE.....	6
E - 4....	SUB-TRANSMISSION.....	9
E - 5....	LEFT CRANKCASE COVER • DYNAMO • STARTER.....	10
E - 6....	CAM CHAIN • TENSIONER.....	14
E - 7....	RIGHT CRANKCASE COVER.....	17
E - 8....	CLUTCH.....	18
E - 9....	CRANKSHAFT • PISTON.....	21
E -10....	GEAR SHIFT.....	22
E -11....	TRANSMISSION.....	25
E -12....	CRANKCASE • OIL PUMP.....	26
E -13....	CARBURETOR.....	29

FRAME GROUP

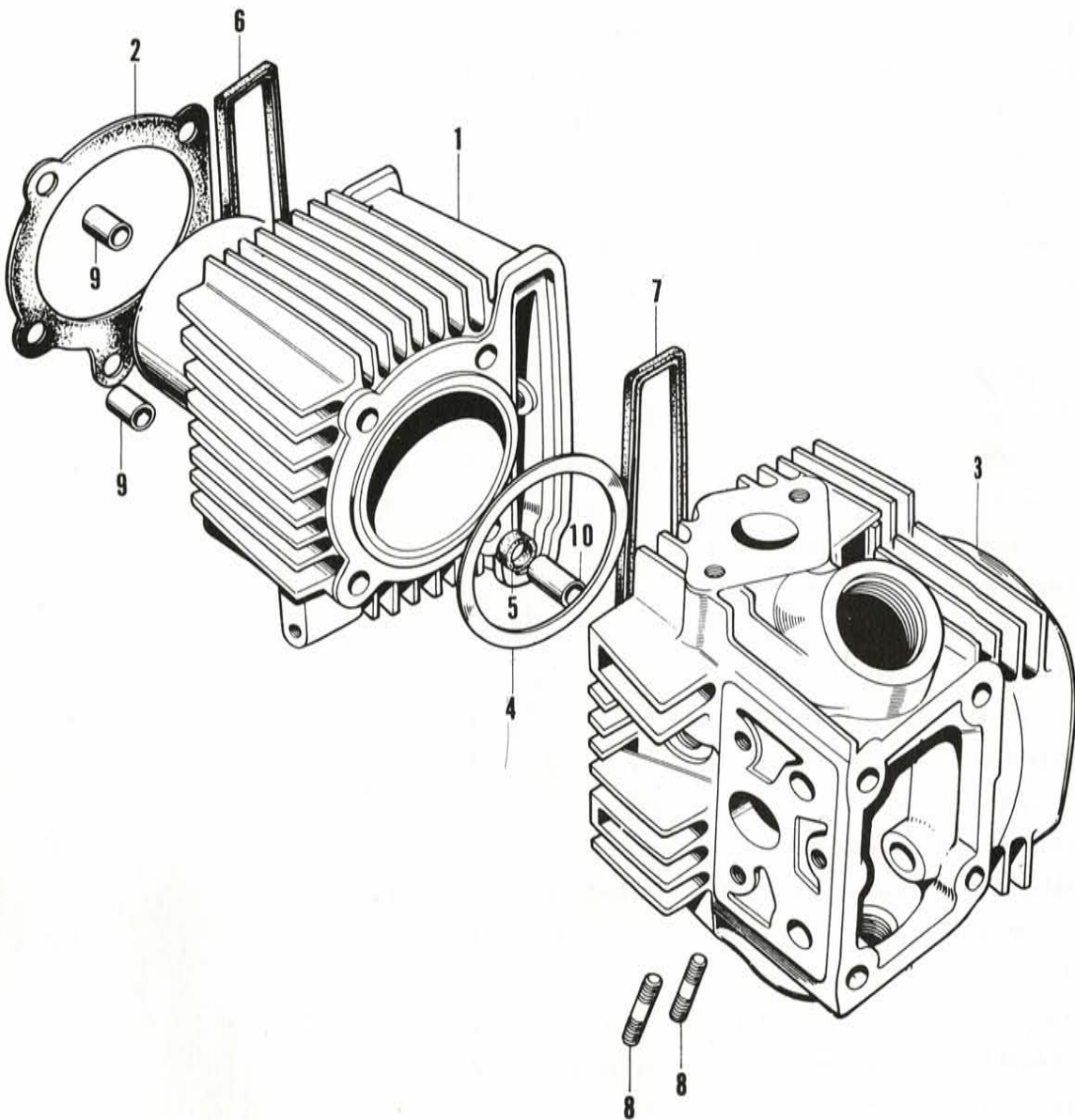
F - 1....	SEAT • FRAME COVER.....	33
F - 2....	FUEL TANK.....	34
F - 3....	HANDLE BAR.....	37
F - 4....	FRONT WHEEL • FRONT AXLE.....	38
F - 5....	REAR WHEEL • REAR AXLE.....	41
F - 6....	FRONT FORK • FRONT FENDER.....	42
F - 7....	AIR CLEANER.....	45
F - 8....	BRAKE PEDAL • STEP.....	46
F - 9....	CHAIN • CHAIN CASE.....	49
F -10....	BRAKE • REAR HUB.....	50
F -11....	FRAME • MUFFLER.....	52-1
F -12....	HEADLIGHT • TAILLIGHT.....	54
F -13....	TOOL SET.....	56
F -14....	SPECIAL TOOL.....	58
F -15....	ATC90 LIGHT KIT.....	58-1
F -16....	OPTIONAL PARTS.....	58-2
	INDEX.....	59

E-1 CYLINDER HEAD COVER



Ref. No.	H/C	Part Number	Description	ATC 90	ATC 90K1	Remarks
1	23422	12301-918-000	COVER, CYLINDER HEAD.....	1	1	
2	01311	12331-028-010	COVER, ROCKER ARM SIDE.....	1	1	
3	18003	12332-028-030	BASE, POINT.....	1	1	
4	01314	12361-028-000	CAP, TAPPET ADJUSTING HOLE.....	2	2	
5	01320	12391-028-000	GASKET, CYLINDER HEAD COVER.....	1	1	
6	01321	12394-028-010	GASKET, ROCKER ARM SIDE COVER.....	1	1	
7	23427	16211-918-000	INSULATOR, CARBURETOR.....	1	1	
8	23428	17111-918-000	PIPE, INLET.....	1	1	
9	08778	17119-046-000	GASKET, INLET PIPE.....	2	2	
10	21543	30200-107-014	BREAKER ASSY., CONTACT.....	1	1	
11		30202-216-005	SUPERSEDED, USE 30202-107-004.....			
	21619	30202-107-004	BREAKER, CONTACT.....	1	1	
12	17922	30205-028-004	FELT, OIL.....	1	1	
13	23408	30220-918-004	ADVANCER ASSY., SPARK.....	1	1	
14	23409	30360-028-020	BASE ASSY., POINT.....	1	1	
15	01313	30362-028-000	OIL-SEAL, 13X22X5.....	1	1	
16	01315	30370-028-000	COVER, POINT.....	1	1	
17	01323	30391-028-000	GASKET, POINT COVER.....	1	1	
18	12347	30392-028-020	GASKET, POINT BASE.....	1	1	
19	06915	32901-028-000	CLIP, POINT LEAD CORD.....	1	1	
20	08737	32906-028-000	CLIP, HIGH TENSION CORD.....	1	1	
21	01448	90441-028-010	WASHER, SEALING, 6MM.....	3	3	
22	17337	90442-028-000	WASHER, SEALING, 8MM.....	1	1	
23	01447	90482-028-000	WASHER, 5MM.....	2	2	
24	06914	90483-028-000	WASHER, 8MM.....	1	1	
25	17923	90486-028-000	WASHER, SPARK ADVANCER SETTING.....	1	1	
26	02268	91302-200-000	O RING, 33.5X3.....	2	2	
27	05421	92000-06014	BOLT, HEX., 6X14.....	1	1	
28	05869	92700-06040	BOLT, STUD, 6X40.....	2	2	
29	15697	93500-050100A	SCREW, PAN, 5X10.....	2	2	
30	05742	93500-06012	SCREW, PAN, 6X12.....	3	3	
31	05749	93500-06020	SCREW, PAN, 6X20.....	3	3	
32	18024	93700-05022-08	SCREW, OVAL, 5X22.....	2	2	
33	15606	94001-060000S	NUT, HEX., 6MM.....	4	4	
34	11468	94030-08000	NUT, HEX., 8MM.....	3	3	
35	05790	94021-08000	NUT, CAP, 8MM.....	1	1	
36	12115	98066-58714	PLUG, SPARKING, D-8HS.....	1	1	

E-2 CYLINDER-CYLINDER HEAD

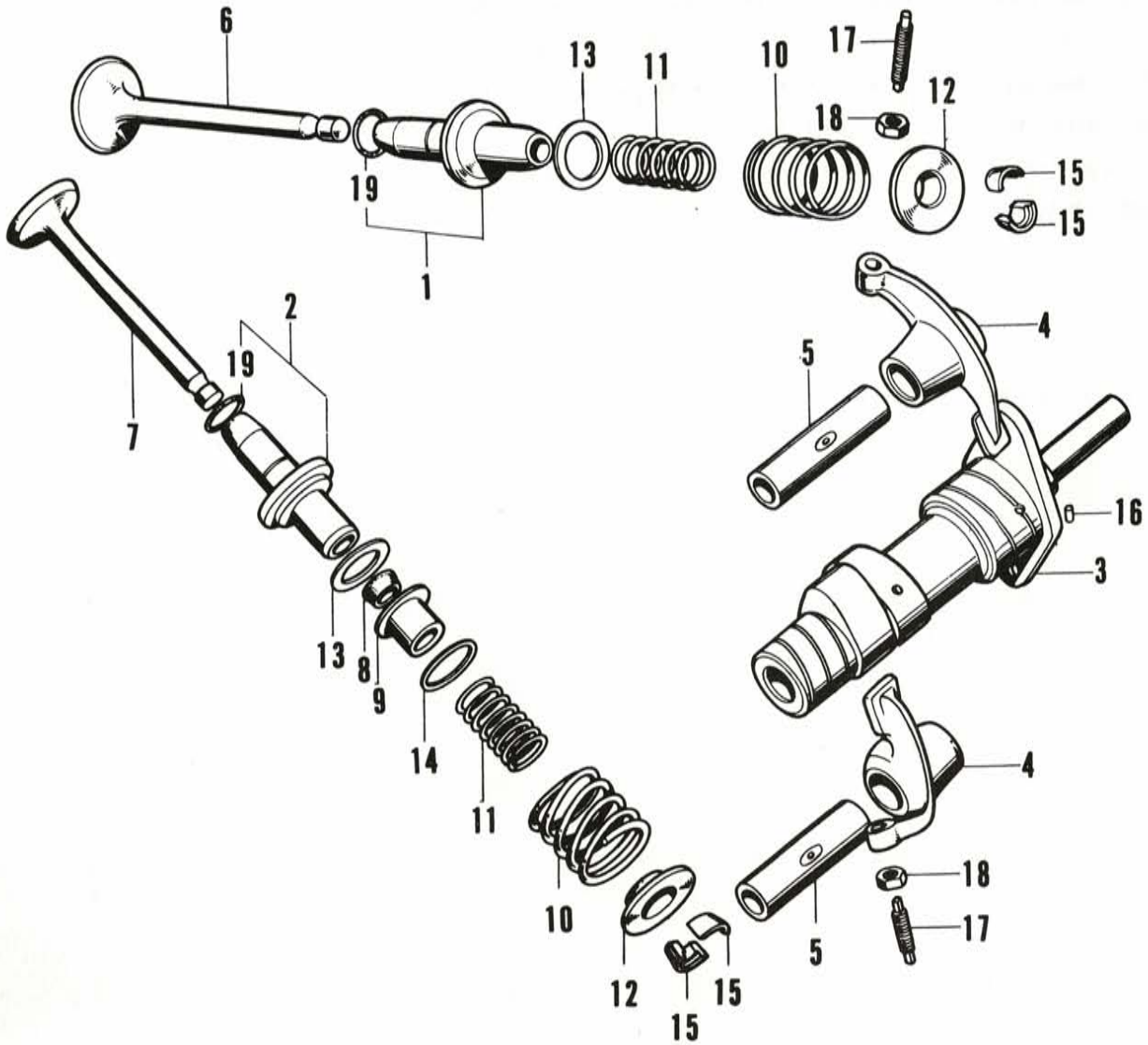


ATC 90

E-2 Cylinder . Cylinder Head

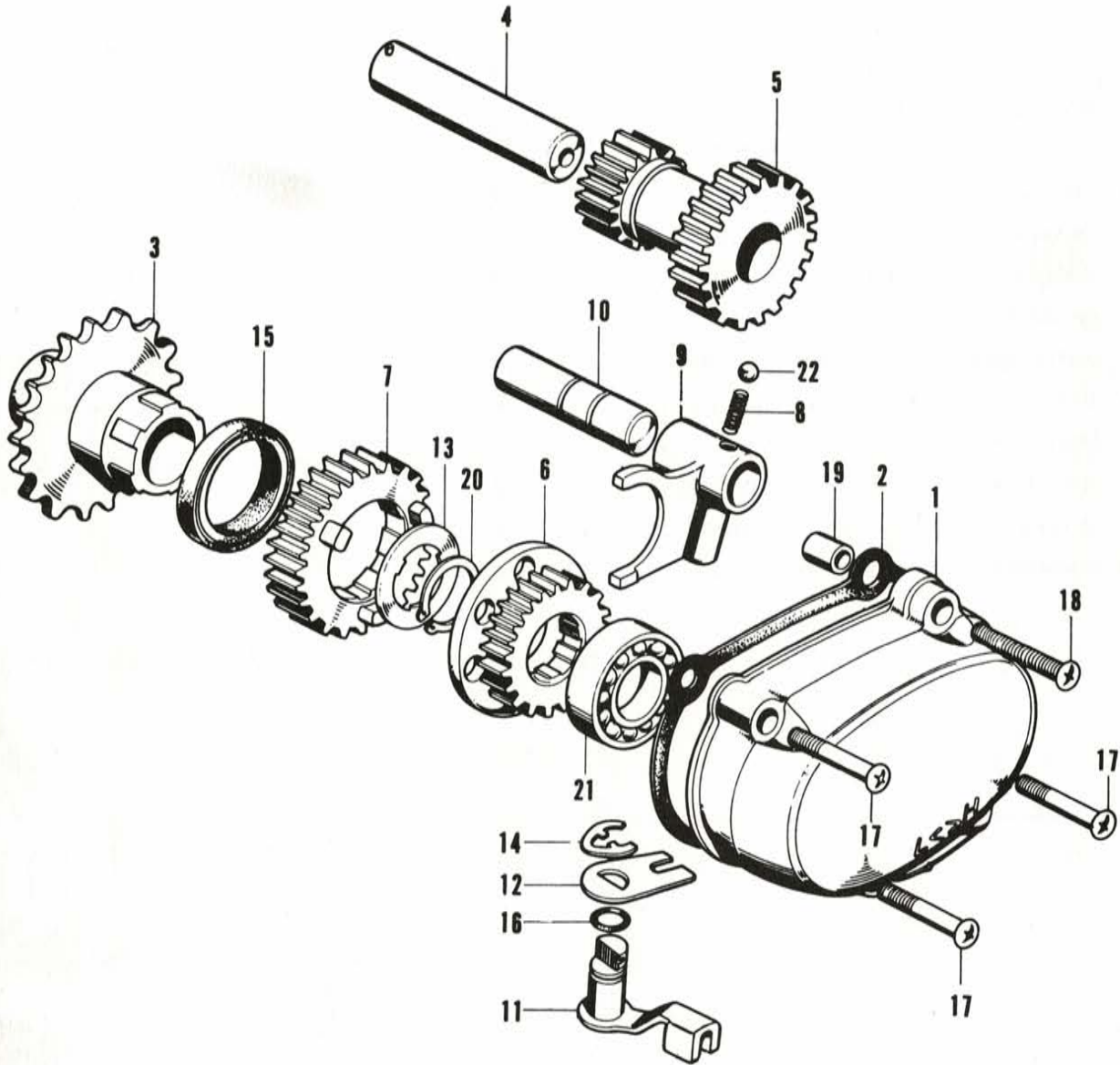
Ref. No.	H/C	Part Number	Description	ATC 90	ATC 90K1	Remarks
1	23421	12100-918-000	CYLINDER.....	1	1	
2	22327	12191-028-020	GASKET, CYLINDER.....	1	1	
3	15086	12200-028-120	HEAD, CYLINDER.....	1	1	
4	11833	12251-028-030	GASKET, CYLINDER HEAD.....	1	1	
5	01329	12261-028-000	GASKET, CYLINDER STUD.....	1	1	
6	08752	12901-028-020	GASKET A, CAM CHAIN CHAMBER.....	1	1	
7	08753	12902-028-020	GASKET B, CAM CHAIN CHAMBER.....	1	1	
8	05861	92700-06031	BOLT, STUD, 6X31.....	2	2	
9	06933	94301-10140	PIN, KNOCK, 10X14.....	2	2	
10	08098	94301-10200	PIN, KNOCK, 10X20.....	1	1	

E-3 CAMSHAFT-VALVE



Ref. No.	H/C	Part Number	Description	ATC 90	ATC 90K1.	Remarks
1	11603	12021-028-340	GUIDE, INLET VALVE.....	1	1	
2	11604	12023-028-330	GUIDE, EXHAUST VALVE.....	1	1	
3	23424	14101-918-000	CAMSHAFT.....	1	1	
4	01372	14431-028-010	ARM, VALVE ROCKER.....	2	2	
5	01373	14451-028-010	SHAFT, ROCKER ARM.....	2	2	
6	01374	14711-028-000	VALVE, INLET.....	1	1	
7	13006	14721-028-602	VALVE, EXHAUST.....	1	1	
8	11598	14730-028-000	SEAL, VALVE STEM.....	1	1	
9	11599	14731-028-000	CAP, VALVE STEM SEAT.....	1	1	
10	08762	14751-028-010	SPRING, OUTER, VALVE.....	2	2	
11	11605	14761-028-020	SPRING, INNER, VALVE.....	2	2	
12	01721	14771-030-000	RETAINER, VALVE SPRING.....	2	2	
13	01378	14775-028-010	SEAT, VALVE SPRING.....	2	2	
14	11597	14776-028-000	SEAT, INNER VALVE SPRING.....	1	1	
15	00189	14781-001-010	KEEPER, VALVE.....	4	4	
16	02506	30905-216-000	PIN, KNOCK, 3X5.2.....	1	1	
17	02397	90012-200-000	SCREW, TAPPET ADJUSTING.....	2	2	
18	00459	90206-001-000	NUT, TAPPET ADJUSTING.....	2	2	
19	11820	91306-028-000	O-RING, 9.5X1.6.....	2	2	

E-4 SUB TRANSMISSION

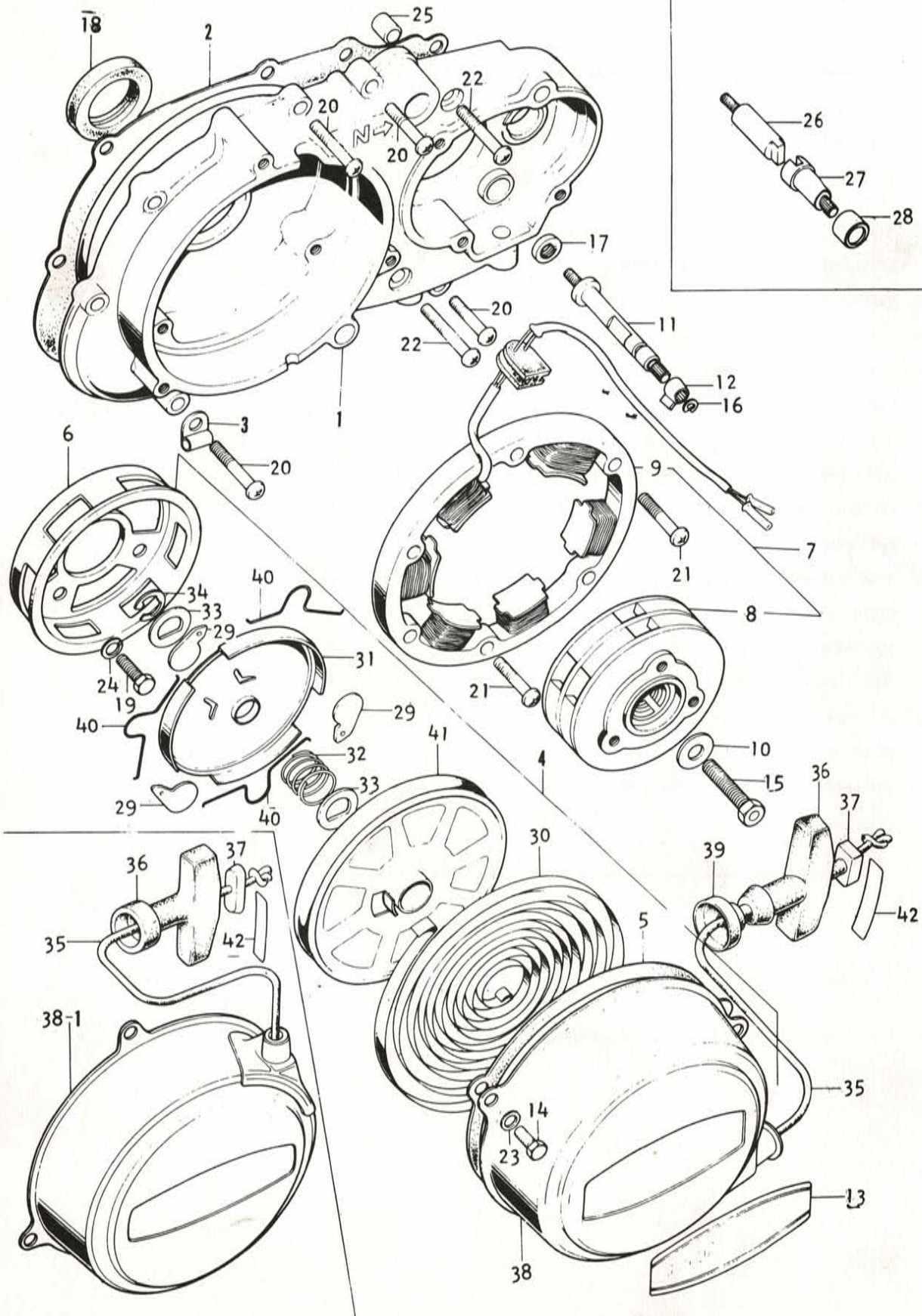


ATC 90

E-4 Sub-Transmission

Ref. No.	H/C	Part Number	Description	ATC 90	ATC 90K1	Remarks
1	12949	11371-053-020	COVER, SUB TRANSMISSION.....	1	1	
2	13425	11693-053-030	GASKET, SUB TRANSMISSION COVER.....	1	1	
3	12970	23800-053-000	SPROCKET, DRIVE 15T.....	1	1	
4	12971	23900-053-000	SHAFT, SUB TRANSMISSION COUNTER....	1	1	
5	13272	23910-053-010	GEAR, SUB TRANSMISSION COUNTER..... 15X22T	1	1	
6	12973	23921-053-010	GEAR, SUB TRANSMISSION LOW 22T.....	1	1	
7	13273	23931-053-010	GEAR, SUB TRANSMISSION HIGH 28T....	1	1	
8	13999	24271-053-010	SPRING, BALL SET.....	1	1	
9	12976	24801-053-000	FORK, SUB TRANSMISSION SHIFT.....	1	1	
10	12977	24811-053-000	SHAFT, SHIFT FORK.....	1	1	
11	13998	24821-053-030	SHAFT, SUB CHANGE.....	1	1	
12	12979	24831-053-010	ARM, SUB CHANGE.....	1	1	
13	13001	90456-053-000	WASHER, SPLINE, 20MM.....	1	1	
14	13002	90601-053-010	CIRCLIP, 8.6MM.....	1	1	
15	13004	91202-053-000	OIL-SEAL, 31X43X8.....	1	1	
16	13005	91301-053-000	O-RING, 7.5X1.5.....	1	1	
17	05755	93500-06030	SCREW, PAN, 6X30.....	3	3	
18	05761	93500-06040	SCREW, PAN, 6X40.....	1	1	
19	06933	94301-10140	PIN, KNOCK 10X14.....	1	1	
20	05362	94510-20000	CIRCLIP, 20MM.....	1	1	
21	05323	96100-62020	BEARING, BALL, 6202.....	1	1	
22	07990	96211-08000	BALL, STEEL, #8.....	1	1	

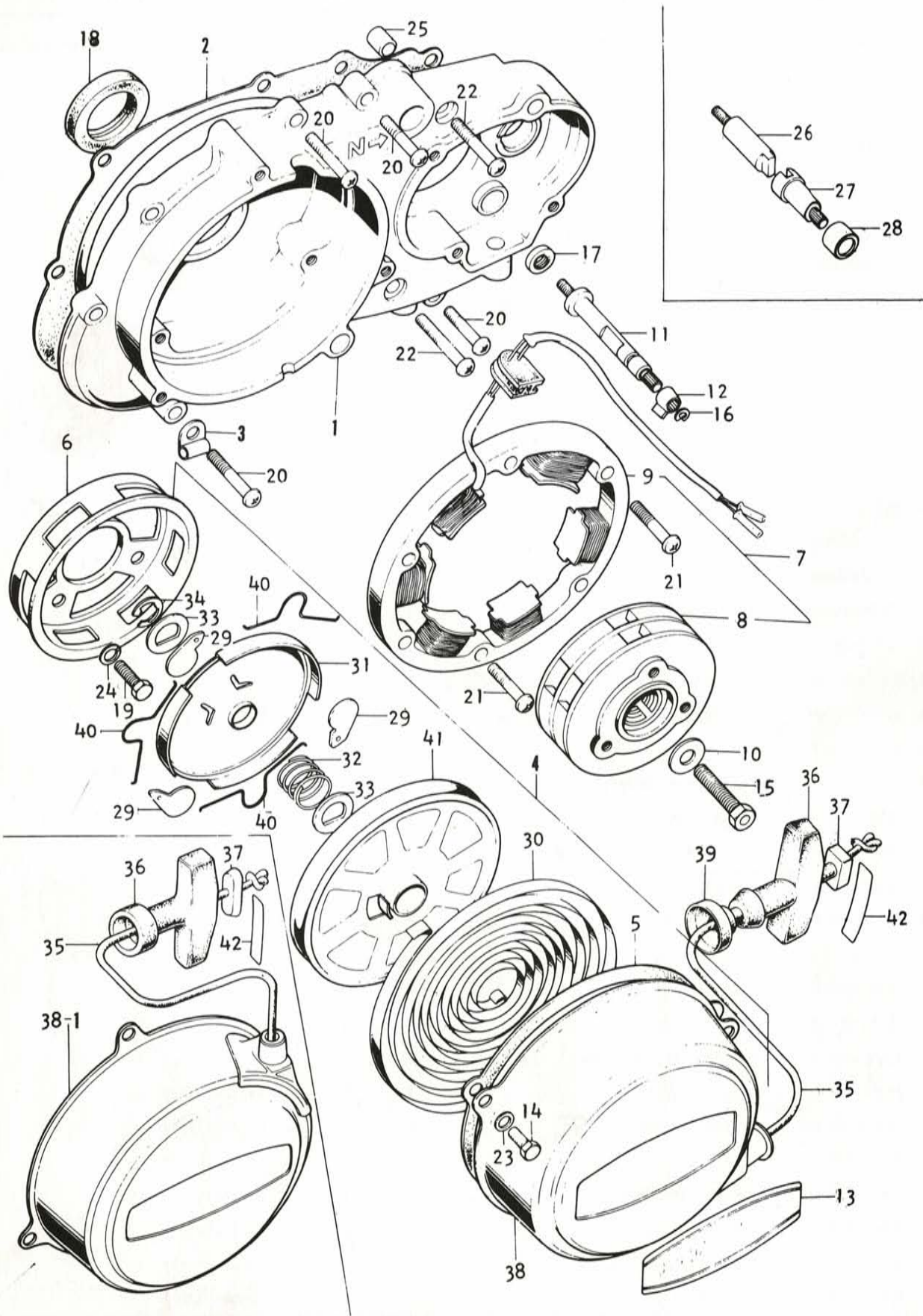
E-5 STARTER · DYNAMO · L. CRANKCASE COVER



ATC 90 E-5 Left Crankcase Cover . Dynamo . Starter

Ref. No.	H/G	Part Number	Description	ATC 90	ATC 90K1	Remarks
1	23419	11341-918-000	COVER, L. CRANKCASE.....	1	1	F ATC90-100001 TO ATC90-107776
	24710	11341-918-010	COVER, L. CRANKCASE.....	1	1	F ATC90-107777 TO
2	23420	11395-918-000	GASKET, L. CRANKCASE COVER.....	1	1	
3	17434	16236-045-000	CLIP, OVER FLOW PIPE.....	1	1	
4	23431	28400-918-000AU	STARTER ASSY., RECOIL..... *CLOUD SILVER*	1	1	
5	23432	28411-918-300	PACKING, RECOIL STARTER.....	1	1	
6	23433	28430-918-000	PULLEY, STARTER.....	1	1	
7	23410	31100-918-004	A.C. GENERATOR ASSY., ROTOR TYPE...	1	1	
8	23411	31101-918-004	ROTOR.....	1	1	
9	23412	31102-918-004	STATOR.....	1	1	
10	09048	31105-028-000	WASHER, GENERATOR ROTOR SETTING....	1	-	
	08276	90427-259-000	WASHER, GENERATOR ROTOR SETTING....	-	1	
11	23508	35761-918-010	SHAFT, NEUTRAL INDICATOR.....	1	1	F ATC90-100001 TO ATC90-107776
12	23509	35762-918-020	INDICATOR, NEUTRAL.....	1	1	
13	23414	87101-918-300	EMBLEM, RECOIL STARTER.....	1	1	
14	24430	92000-06016-4J	BOLT, HEX., 6X16.....	3	3	
15	11971	90026-259-000	BOLT, ROTOR SETTING.....	1	1	
16	13876	90605-230-000	CIRCLIP, 5MM.....	1	1	
17	18515	91201-035-010	OIL-SEAL, 12X21X4.....	1	1	
18	23914	91201-071-000	OIL-SEAL, 20.8X35X8.....	1	1	
19	05423	92000-06016	BOLT, HEX., 6X16.....	3	3	
20	05753	93500-06025	SCREW, PAN, 6X25.....	7	7	
21	05756	93500-06032	SCREW, PAN, 6X32.....	3	3	
22	05761	93500-06040	SCREW, PAN, 6X40.....	2	2	
23	05907	94101-06000	WASHER, PLAIN, 6MM.....	3	3	
24	05897	94111-06000	WASHER, SPRING, 6MM.....	3	3	
25	06933	94301-10140	PIN, KNOCK, 10X14.....	1	1	
26	24711	35763-918-000	SHAFT A, INDICATOR.....	1	1	F ATC90-107777 TO
27	24712	35764-918-000	SHAFT B, INDICATOR.....	1	1	F ATC90-107777 TO
28	24713	35765-918-000	COLLAR, INDICATOR SHAFT.....	1	1	F ATC90-107777 TO
29	24696	28401-918-000	RATCHET, STARTER.....	3	3	F ATC90-107777 TO
30	24697	28402-918-000	SPRING, STARTER.....	1	1	F ATC90-107777 TO
31	24698	28403-918-000	PLATE, FRICTION.....	1	1	F ATC90-107777 TO
32	24699	28404-918-000	SPRING, FRICTION.....	1	1	F ATC90-107777 TO
33	24700	28405-918-000	WASHER.....	1	1	F ATC90-107777 TO
34	24701	28406-918-000	E RING.....	1	1	F ATC90-107777 TO
35	24702	28407-918-000	ROPE, STARTER.....	1	1	F ATC90-107777 TO

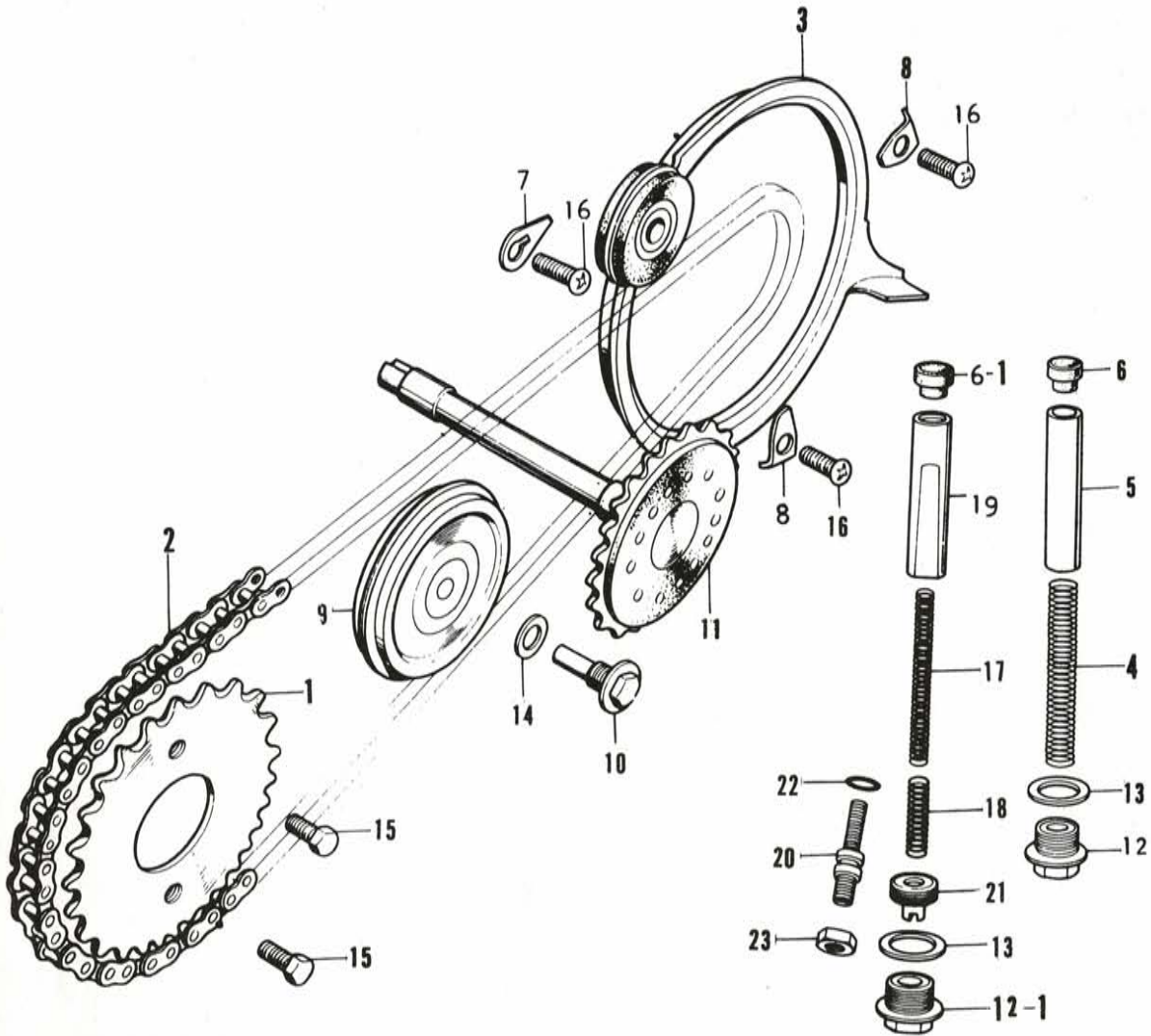
E-5 STARTER-DYNAMO · L. CRANKCASE COVER



ATC 90 E-5 Left Crankcase Cover . Dynamo . Starter

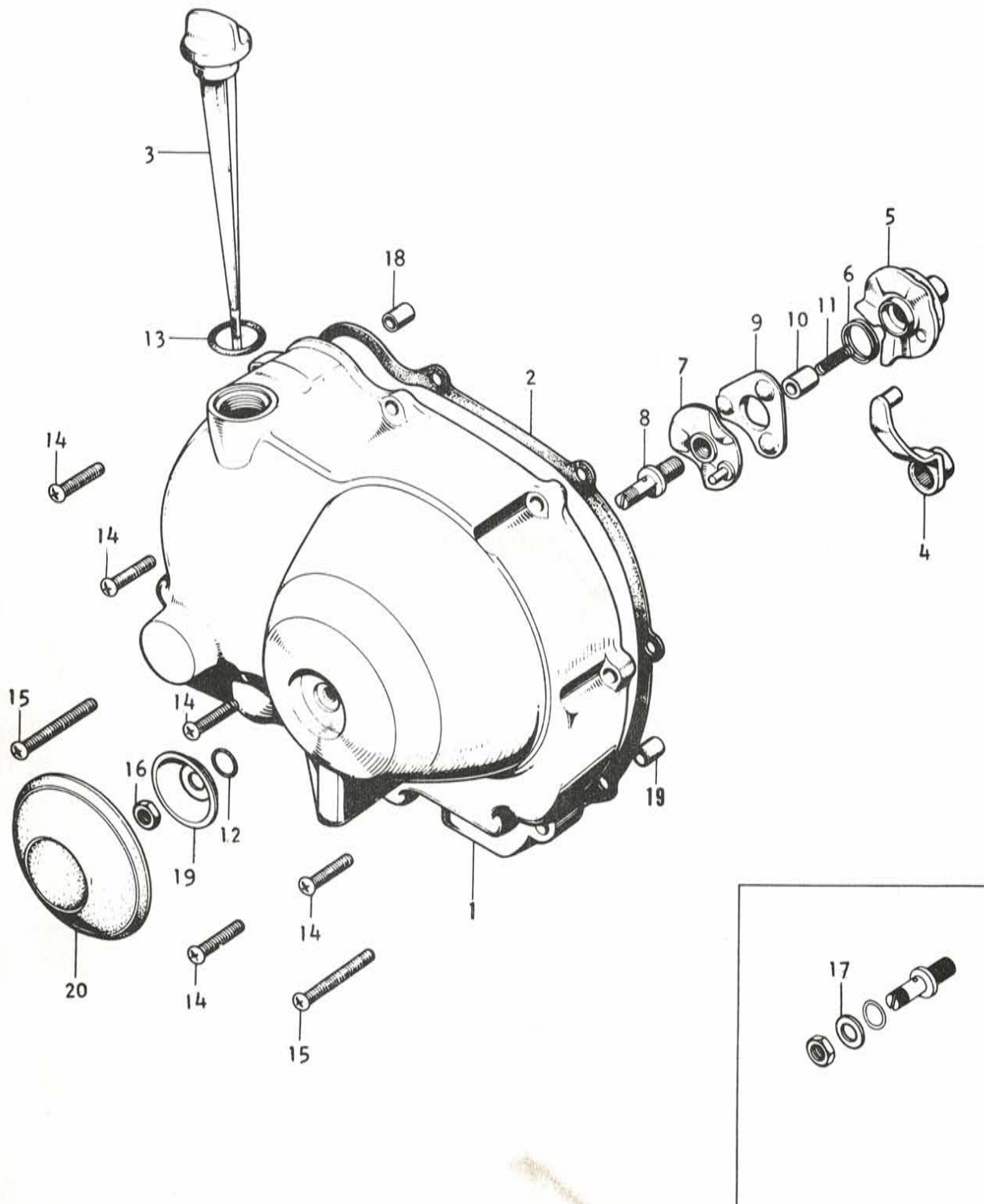
Ref. No.	H/C	Part Number	Description	ATC 90	ATC 90K1	Remarks
36	24703	28408-918-000	KNOB, STARTER.....	1	1	F ATC90-107777 TO
37	24704	28409-918-000	STOPPER, ROPE.....	1	1	F ATC90-107777 TO
38	24705	28410-918-000AU	CASE, STARTER.....	1	-	
	29059	28410-918-010AU	CASE, STARTER.....	-	1	
39	24706	28412-918-000	RUBBER BOOT.....	1	1	F ATC90-107777 TO
40	24707	28413-918-000	SPRING SET.....	3	3	F ATC90-107777 TO
41	24709	28420-918-000	PULLEY, STARTER.....	1	1	F ATC90-107777 TO
42	24708	28414-918-000	TAPE, KNOB.....	1	1	F ATC90-107777 TO

E-6 CAM CHAIN-CHAIN TENSIONER



Ref. No.	H/C	Part Number	Description	ATC 90	ATC 90K1	Remarks
1	01357	14321-028-000	SPROCKET, CAM 30T.....	1	1	
2	01358	14401-028-003	CHAIN, CAM.....	1	1	
3	01362	14500-028-000	TENSIONER, CAM CHAIN.....	1	-	
	27415	14500-096-020	TENSIONER, CAM CHAIN.....	-	1	
4	12006	14541-028-020	SPRING, TENSIONER.....	1	1	
5	12007	14552-028-020	ROD, TENSIONER PUSH.....	1	1	
6	08759	14561-028-010	RUBBER, TENSIONER CUSHION.....	1	-	
	27417	14561-096-000	RUBBER, TENSIONER CUSHION.....	-	1	
7	08760	14592-028-010	PLATE A, TENSIONER SETTING.....	1	1	
8	08761	14593-028-010	PLATE B, TENSIONER SETTING.....	2	2	
9	08756	14610-028-010	ROLLER, CAM CHAIN GUIDE.....	1	-	
	27416	14610-096-020	ROLLER, CAM CHAIN GUIDE.....	-	1	
10	06981	14615-035-000	PIN, GUIDE ROLLER.....	1	1	
11	01371	14670-028-000	SPROCKET, CAM CHAIN GUIDE 29T.....	1	1	
12	07083	90081-035-000	BOLT, SEALING, 14MM.....	1	-	
	27077	90081-086-000	BOLT, SEALING, 14MM.....	-	1	
13	07095	90441-035-000	WASHER, SEALING, 14MM.....	1	1	
14	07093	90481-035-000	WASHER, 8MM.....	1	1	
15	05417	92000-06010	BOLT, HEX., 6X10.....	2	2	
16	05740	93500-06010	SCREW, PAN, 6X10.....	3	3	
17	27068	14541-086-010	SPRING A TENSIONER.....	-	1	
18	27069	14542-086-000	SPRING B TENSIONER.....	-	1	
19	27070	14550-086-010	ROD TENSIONER.....	-	1	
20	27071	14561-086-010	BOLT TENSIONER.....	-	1	
21	27072	14562-086-000	BOLT B TENSIONER.....	-	1	
22	02202	91301-216-000	O RING 5.5X1.5.....	-	1	
23	15607	94002-08000-0S	NUT HEX., 8MM.....	-	1	

E-7 R. CRANKCASE COVER

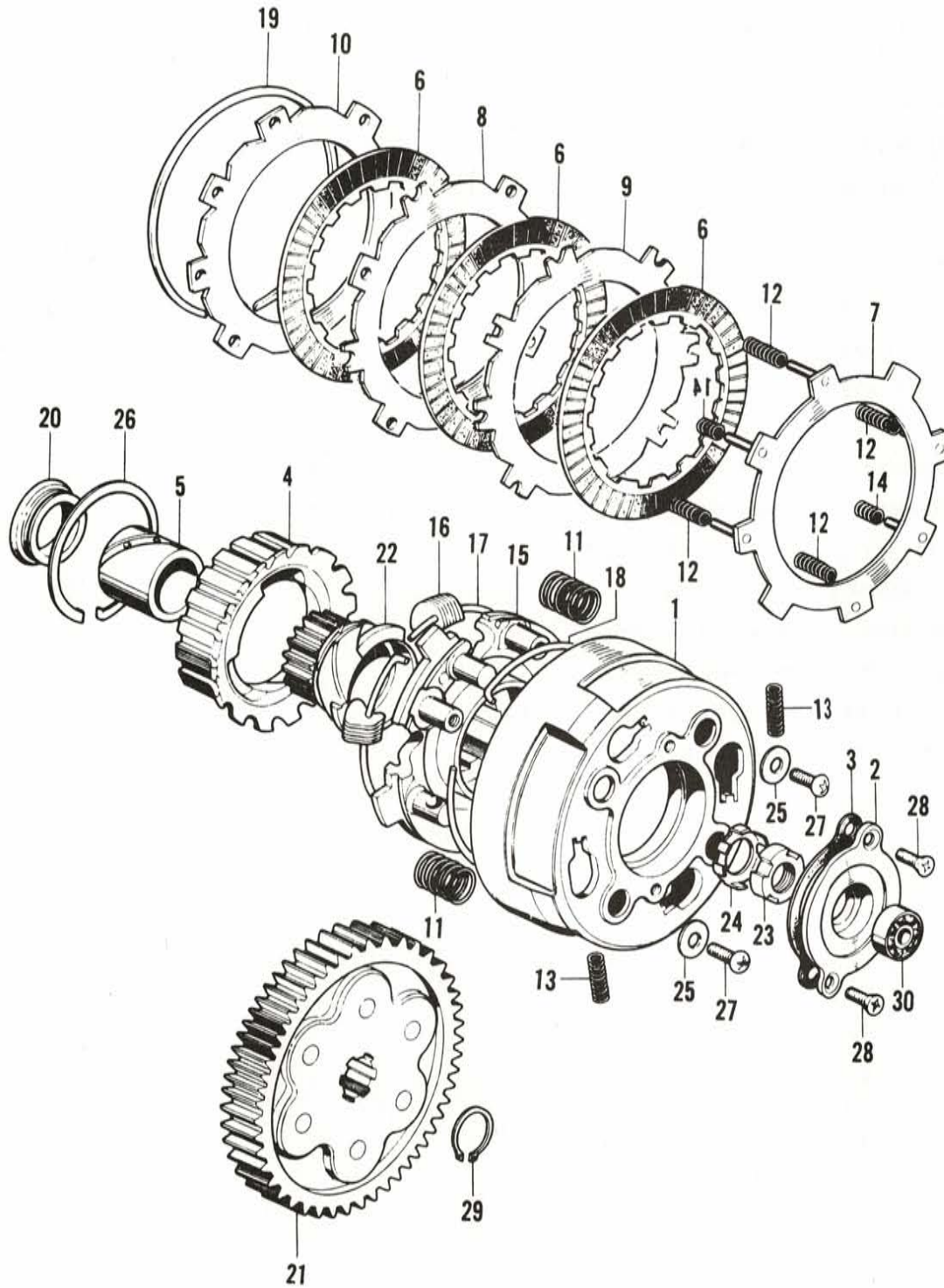


ATC 90

E-7 Right Crankcase Cover

Ref. No.	H/C	Part Number	Description	ATC 90	ATC 90K1	Remarks
1	23418	11330-918-000	COVER, R. CRANKCASE.....	1	1	
2	22383	11393-028-020	GASKET, R. CRANKCASE COVER.....	1	1	
3	07245	15650-028-010	GAUGE, OIL LEVEL.....	1	-	
	27418	15650-102-700	GAUGE, OIL LEVEL.....	-	1	
4	13026	22811-046-010	LEVER, CLUTCH.....	1	1	
5	23505	22820-918-000	PLATE, CLUTCH CAM.....	1	1	
6	08783	22825-046-000	SPRING, CAM PLATE SIDE.....	1	1	
7	08784	22830-046-000	PLATE, CLUTCH LIFTER.....	1	1	
8	17924	22846-046-010	BOLT, CLUTCH ADJUSTING.....	1	1	
9	14153	22860-041-000	RETAINER, BALL.....	1	1	
10	23430	25551-918-000	THROUGH, OIL.....	1	1	
11	13035	25555-046-000	SPRING, OIL THROUGH.....	1	1	
12	00320	91303-001-000	O-RING, 8MM.....	1	1	
13	12807	91311-044-000	O-RING, 18X3.....	1	1	
14	05749	93500-06020	SCREW, PAN, 6X20.....	6	6	
15	05756	93500-06032	SCREW, PAN, 6X32.....	2	2	
16	11468	94030-08000	NUT, HEX., 8MM.....	1	-	
	16733	94001-08000-0S	NUT, HEX., 8MM.....	-	1	
17	05909	94101-08000	WASHER, PLAIN, 8MM.....	1	1	
18	05820	94301-10160	PIN, KNOCK, 10X16.....	2	2	
19	27426	90485-102-700	WASHER ADJ. BOLT.....	-	1	
20	27413	11335-102-700	PROTECTOR R. CASE.....	-	1	

E-8 Clutch

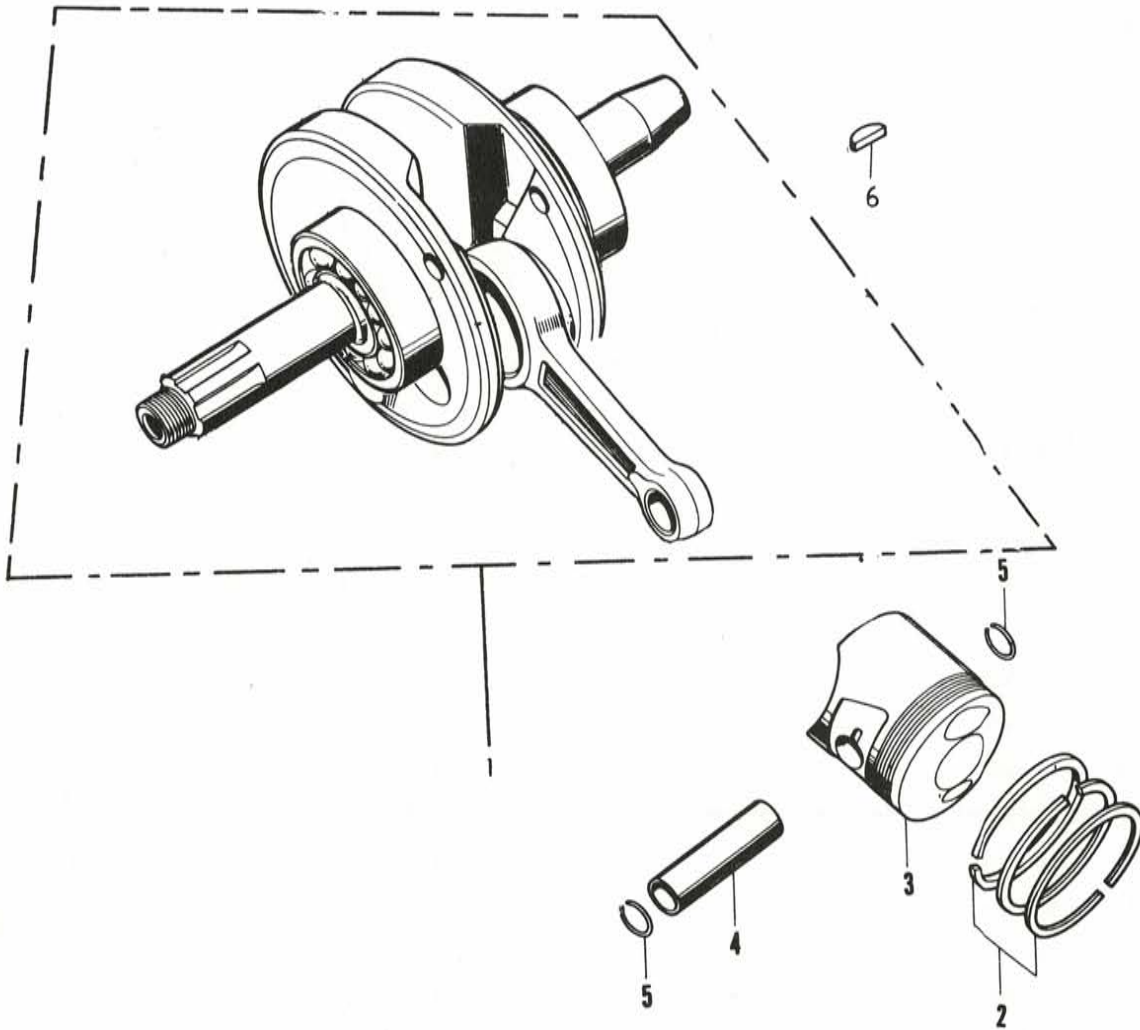


ATC 90

E-8 Clutch

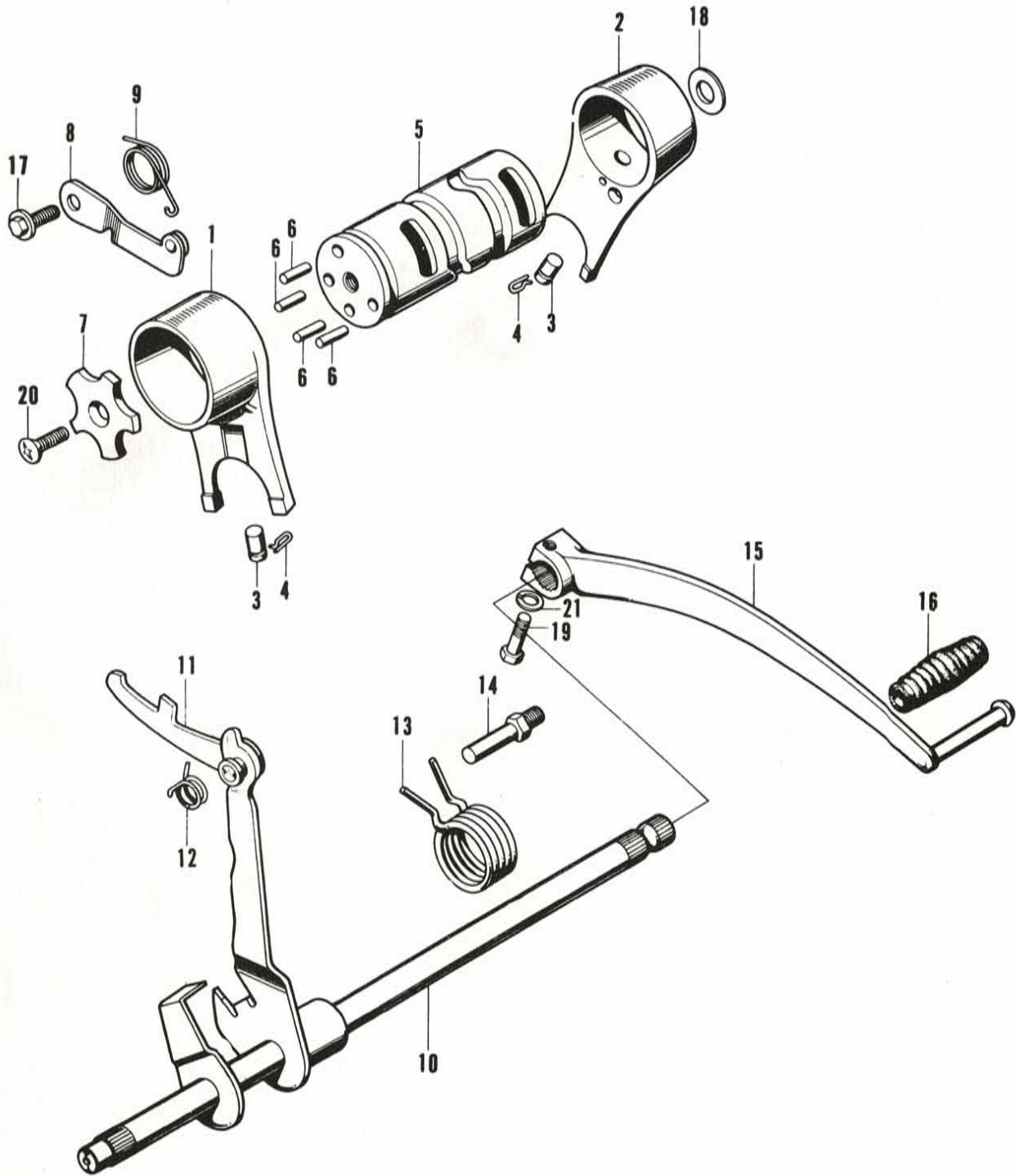
Ref. No.	H/C	Part Number	Description	ATC 90	ATC 90K1	Remarks
1	18006	22101-046-030	OUTER, CLUTCH.....	1	1	
2	11630	22111-028-010	COVER, CLUTCH OUTER.....	1	1	
3	08720	22112-028-000	GASKET, CLUTCH OUTER COVER.....	1	1	
4	20095	22121-046-020	CENTER, CLUTCH.....	1	-	
	27421	22121-096-000	CENTER, CLUTCH.....	-	1	
5	13038	22131-028-000	GUIDE, CLUTCH CENTER.....	1	-	
	27422	22131-096-000	GUIDE, CLUTCH CENTER.....	-	1	
6	14184	22201-046-000	DISK, CLUTCH FRICTION.....	3	-	
	27423	22201-096-000	DISK, CLUTCH FRICTION.....	-	1	
7	14121	22311-046-000	PLATE A, CLUTCH.....	1	-	
	27424	22311-096-000	PLATE A, CLUTCH.....	-	1	
8	14122	22321-046-010	PLATE B, CLUTCH.....	1	1	
9	17019	22331-046-000	PLATE C, CLUTCH.....	1	1	
10	20381	22341-046-000	PLATE D, CLUTCH.....	1	1	
11	14185	22401-046-000	SPRING, CLUTCH.....	4	4	
12	20382	22411-053-010	SPRING, CLUTCH FREE.....	4	4	
13	18520	22421-035-000	SPRING, CLUTCH DAMPER.....	4	4	
14	20383	22431-046-010	SPRING, SUB CLUTCH FREE.....	2	2	
15	18005	22511-046-010	PLATE, DRIVE.....	1	-	
	27425	22511-096-000	PLATE, DRIVE.....	-	1	
16	01772	22531-033-010	WEIGHT, CLUTCH.....	24	24	
17	01782	22535-033-000	RING, CLUTCH WEIGHT CENTER.....	1	1	
18	01783	22536-033-000	RING, CLUTCH WEIGHT STOPPER.....	1	1	
19	11764	22901-028-000	SET-RING, 102.5MM.....	1	-	
	27427	22901-102-700	SET-RING, 102.5MM.....	-	1	
20	08787	22911-046-000	COLLAR, 20MM.....	1	1	
21	20915	23110-046-000	GEAR, PRIMARY DRIVEN 67T.....	1	1	
22	20096	23111-046-020	GEAR, DRIVE 18T.....	1	1	
	27428	23111-096-000	GEAR, DRIVE 18T.....	1	1	
23	12112	90231-028-000	NUT, LOCKING, 16MM.....	1	1	
24	13271	90431-028-010	WASHER, LOCKING, 16MM.....	1	1	
25	08579	90483-040-000	WASHER, STOPPER, 16MM.....	4	4	
26	12852	90603-046-000	CIRCLIP, 38MM.....	1	1	
27	14554	93500-050080A	SCREW, PAN, 5X8.....	4	4	
28	14536	93600-050120A	SCREW, FLAT, 5X12.....	2	2	
29	05362	94510-20000	CIRCLIP, 20MM.....	1	1	
30	05315	96100-60000	BEARING, BALL, 6000.....	1	1	

E-9 CRANKSHAFT-PISTON



Ref. No.	H/C	Part Number	Description	ATC 90	ATC 90K1	Remarks
1	23423	13000-071-010	CRANKSHAFT ASSY.....	1	1	
2	11591	13010-028-020	RING-SET, PISTON STD.....	1	1	
	11592	13020-028-020	RING-SET, PISTON 0.25.....	1	1	
	11593	13030-028-020	RING-SET, PISTON 0.50.....	1	1	
	11594	13040-028-020	RING-SET, PISTON 0.75.....	1	1	
	11595	13050-028-020	RING-SET, PISTON 1.00.....	1	1	
3	15087	13101-028-070	PISTON STD.....	1	1	
	15088	13102-028-070	PISTON 0.25.....	1	1	
	15089	13103-028-070	PISTON 0.50.....	1	1	
	15090	13104-028-070	PISTON 0.75.....	1	1	
	15091	13105-028-070	PISTON 1.00.....	1	1	
4	12348	13111-028-000	PIN, PISTON.....	1	1	
5	02326	13115-200-000	CLIP, PISTON PIN.....	2	2	
6	07089	90741-035-000	KEY, WOODRUFF.....	1	1	

E-10 GEAR SHIFT

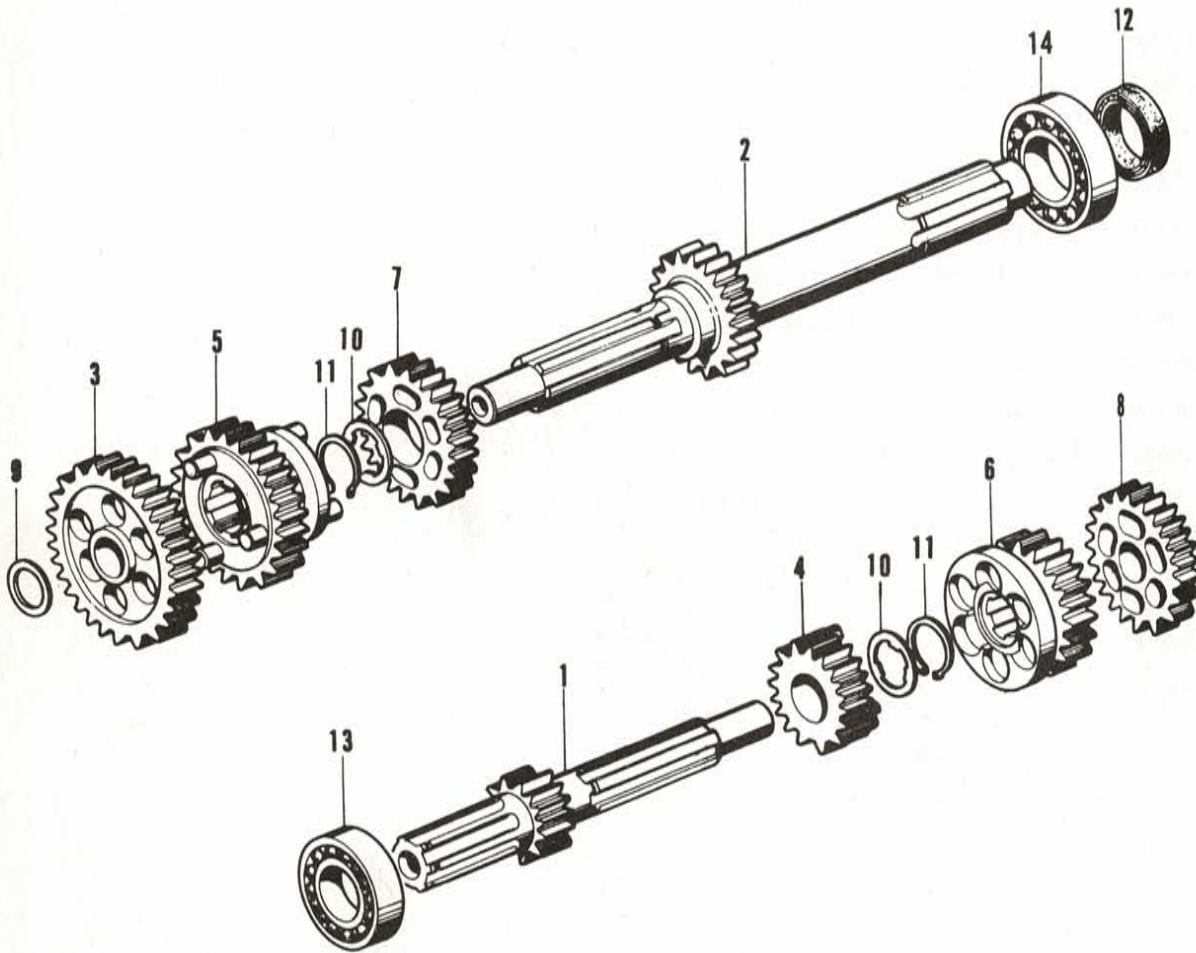


ATC 90

E-10 Gear Shift

Ref. No.	H/C	Part Number	Description	ATC 90	ATC 90K1	Remarks
1	11695	24211-028-345	FORK, RIGHT GEAR SHIFT.....	1	1	
2	08731	24221-028-335	FORK, LEFT GEAR SHIFT.....	1	1	
3	11696	24261-028-010	PIN, GEAR SHIFT FORK GUIDE.....	2	2	
4	01426	24263-028-000	CLIP, SHIFT FORK GUIDE PIN.....	2	2	
5	23403	24301-918-000	DRUM, GEAR SHIFT.....	1	1	
6	11946	24421-230-000	PIN, GEAR SHIFT DRUM.....	4	4	
7	12110	24425-053-010	PLATE, SHIFT DRUM STOPPER.....	1	1	
8	12111	24430-028-602	STOPPER, SHIFT DRUM.....	1	1	
9	13404	24435-028-680	SPRING, SHIFT DRUM STOPPER.....	1	1	
10	23429	24610-080-000	SPINDLE, GEAR SHIFT.....	1	1	
11	12390	24630-046-010	ARM, GEAR SHIFT.....	1	1	
12	15703	24641-046-000	SPRING, GEAR SHIFT ARM.....	1	1	
13	15704	24651-033-010	SPRING, GEAR SHIFT RETURN.....	1	1	
14	07069	24652-035-000	PIN, SHIFT RETURN SPRING.....	1	1	
15	23463	24700-918-010XW	PEDAL, GEAR CHANGE CHROME.....	1	1	
16		23781-205-000	SUPERSEDED, USE 95011-40000.....			
		25569 95011-40000	RUBBER, GEAR CHANGE PEDAL.....	1	1	
17	14116	90023-041-000	BOLT, SHIFT DRUM STOPPER ARM PIVOT.	1	1	
18	23407	90417-918-000	WASHER, SHIFT DRUM SIDE.....	1	1	
19	05429	92000-06022	BOLT, HEX., 6X22.....	1	1	
20	05645	93700-06012	SCREW, OVAL, 6X12.....	1	1	
21	05897	94111-06000	WASHER, SPRING, 6MM.....	1	1	

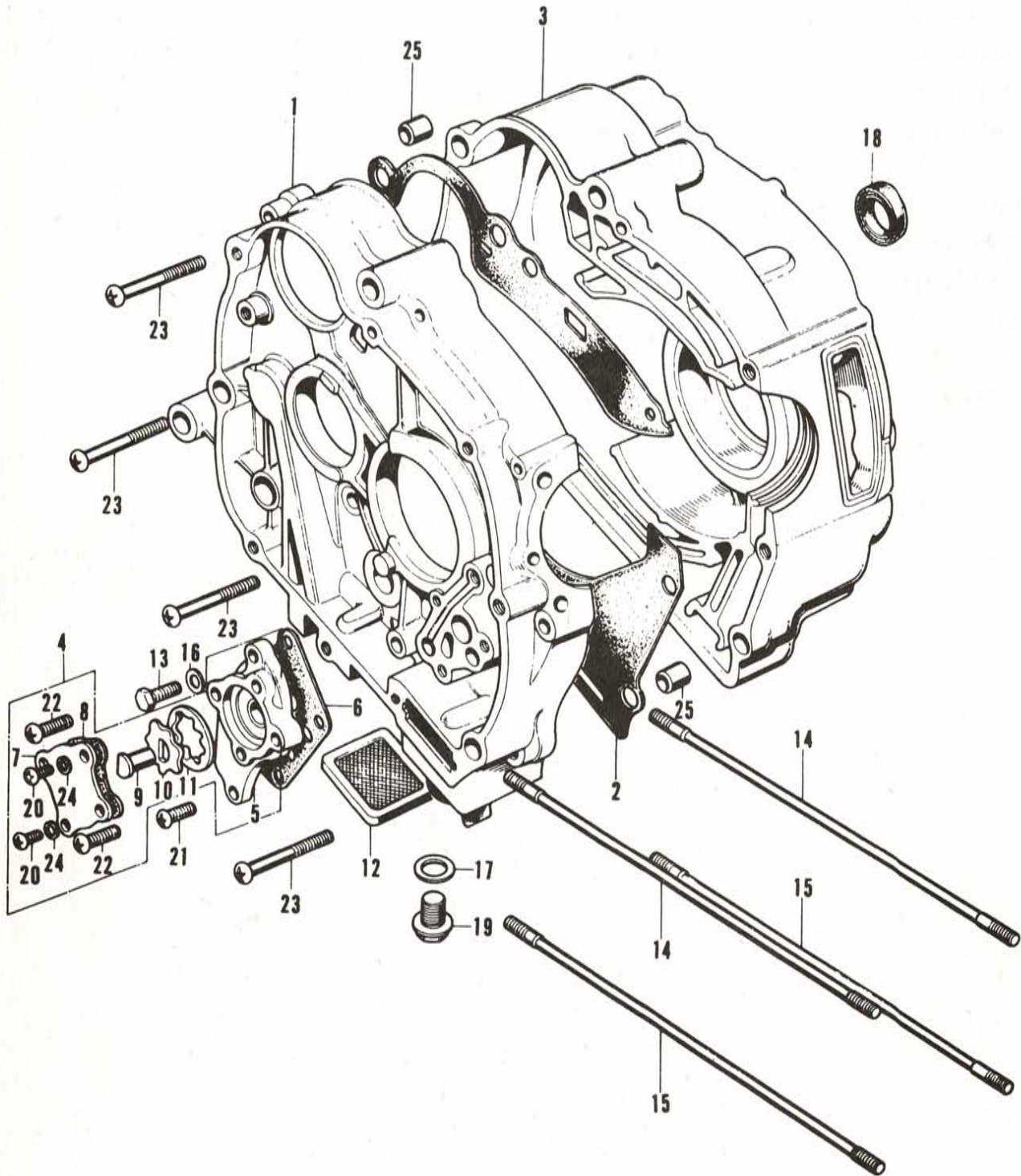
E-11 TRANSMISSION



REVISED OCTOBER 1972

Ref. No.	H/C	Part Number	Description	ATC 90	ATC 90K1	Remarks
1	14192	23211-028-070	SHAFT, TRANSMISSION MAIN 13T.....	1	1	
2	12969	23220-053-020	SHAFT, TRANSMISSION CENTER.....	1	1	
3	08540	23421-028-000	GEAR, COUNTER SHAFT LOW 33T.....	1	1	
4	17646	23431-052-040	GEAR, MAIN SHAFT SECOND 18T.....	1	1	
5	17647	23441-052-020	GEAR, COUNTER SHAFT SECOND 29T.....	1	1	
6	13188	23451-052-010	GEAR, MAIN SHAFT THIRD 21T.....	1	1	
7	08696	23461-052-000	GEAR, COUNTER SHAFT THIRD 25T.....	1	1	
8	08697	23471-052-000	GEAR, MAIN SHAFT TOP 24T.....	1	1	
9	00467	90451-001-000	WASHER, THRUST, 14MM.....	1	1	
10	08735	90461-028-000	WASHER, SPLINE, 18MM.....	2	2	
11	01818	90601-030-000	CIR-CLIP, 18MM.....	2	2	
12	13003	91201-053-000	OIL-SEAL, 27X37X7.....	1	1	
13	05318	96100-60040	BEARING, BALL, 6004.....	1	1	
●14	05327	96100-62040	BEARING, BALL, 6204.....	1	1	

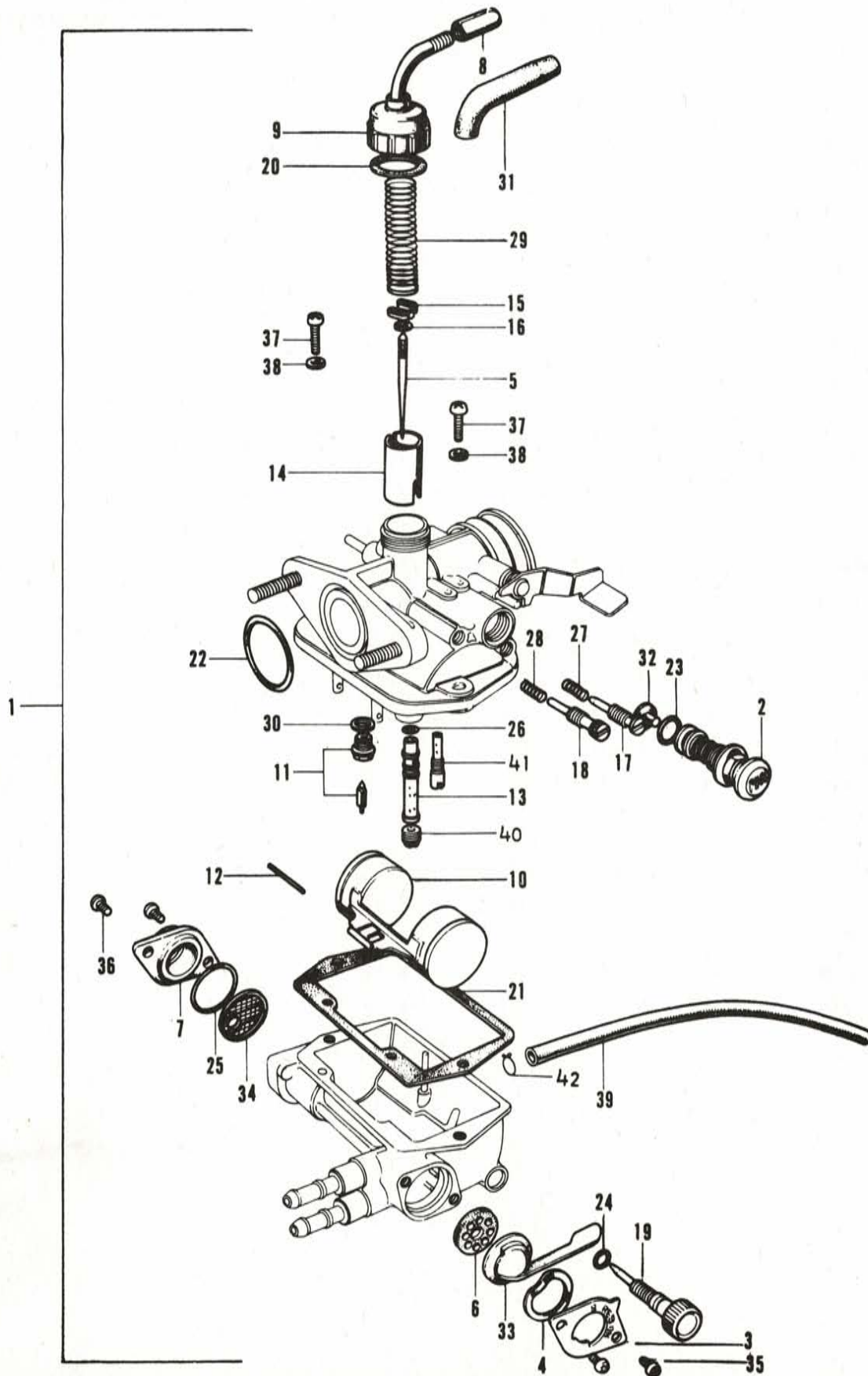
E-12 CRANKCASE-OIL PUMP



E-12 Crankcase . Oil Pump

Ref. No.	H/C	Part Number	Description	ATC90 K1	Remarks
1	19844	11100-052-040	CRANKCASE, RIGHT.....	1 1	
2	08687	11191-052-000	GASKET, CRANKCASE.....	1 1	
3	23417	11200-918-000	CRANKCASE, LEFT.....	1 -	
	30003	11200-918-670	CRANKCASE, LEFT.....	- 1	
4	17938	15100-053-010	PUMP ASSY., OIL.....	1 1	
5	18004	15111-053-020	BODY, OIL PUMP.....	1 1	
6	13007	15119-028-020	GASKET, OIL PUMP BODY.....	1 -	
	27026	15119-028-030	GASKET, OIL PUMP BODY.....	- 1	
7	13008	15121-028-060	COVER, OIL PUMP.....	1 1	
8	13009	15128-028-030	GASKET, OIL PUMP COVER.....	1 1	
9	13010	15181-028-050	SHAFT, OIL PUMP DRIVE.....	1 1	
• 10	12955	15331-053-010	ROTOR, OIL PUMP INNER.....	1 1	
• 11	12956	15332-053-010	ROTOR, OIL PUMP OUTER.....	1 1	
12	07002	15421-035-010	SCREEN, OIL FILTER.....	1 1	
13	11585	90015-028-000	BOLT, OIL JOINT.....	1 1	
14	01443	90031-028-010	BOLT A, CYLINDER STUD.....	2 2	
15	07241	90032-028-020	BOLT B, CYLINDER STUD.....	2 2	
16	00489	90405-001-000	PACKING, OIL PIPE.....	1 1	
17	03529	90407-259-000	PACKING, DRAIN COCK.....	1 1	
18	23915	91204-071-003	OIL SEAL, 11.6X19X6.....	1 1	
19	05397	92800-12000	BOLT, DRAIN COCK, 12MM.....	1 1	
20	17356	93500-05012-OA	SCREW, PAN, 5X12.....	2 2	
21	05745	93500-06016	SCREW, PAN, 6X16.....	1 1	
22	05753	93500-06025	SCREW, PAN, 6X25.....	2 2	
23	05761	93500-06040	SCREW, PAN, 6X40.....	9 9	
24	05896	94111-05000	WASHER, SPRING, 5MM.....	2 2	
25	06933	94301-10140	PIN, KNOCK, 10X14.....	2 2	

E-13 CARBURETOR (KEIHIN)

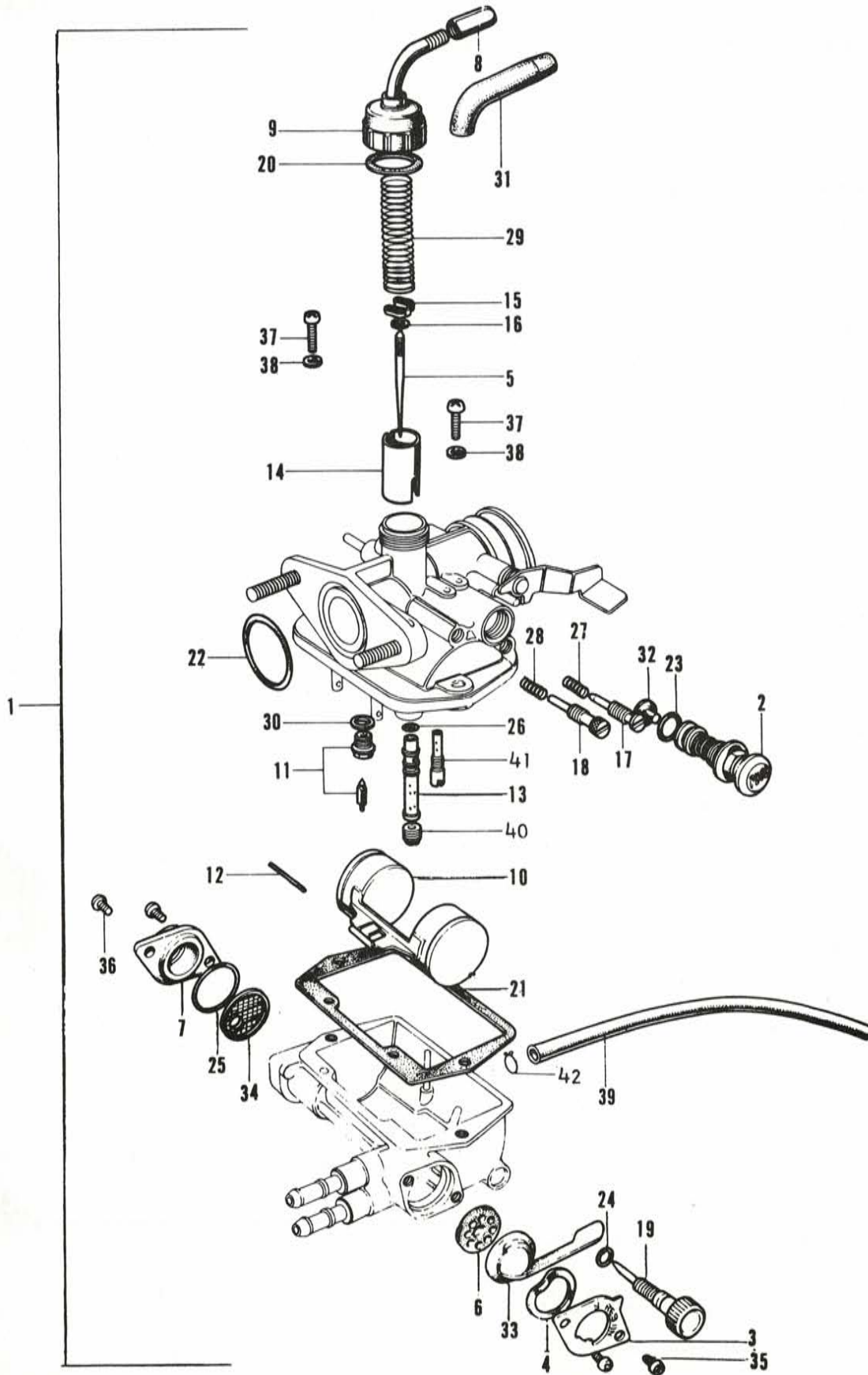


ATC 90

E-13 Carburetor

Ref. No.	H/C	Part Number	Description	ATC 90	ATC 90K1	Remarks
1	23425	16100-918-004	CARBURETOR ASSY.....	1	1	
2	17962	16110-077-004	BUTTON, COCK.....	1	1	
3	20291	16111-098-004	COVER, COCK.....	1	1	
4	20292	16113-001-004	SPRING, COCK LEVER.....	1	1	
5	23426	16114-918-004	NEEDLE, JET.....	1	1	
6	20293	16115-001-004	PACKING, COCK.....	1	1	
7	20294	16116-098-004	CAP, FUEL STRAINER.....	1	1	
8	17608	16118-045-004	ADJUSTER, CABLE.....	1	1	
9		16119-076-004	SUPERSEDED, USE 16119-076-305.....			
	26494	16119-076-305	TOP.....	1	-	
	26807	16107-098-730	TOP.....	-	1	
10	02733	16122-202-004	FLOAT.....	1	1	
11	00543	16123-011-004	VALVE-SET, FLOAT.....	1	1	
12	17613	16126-011-004	PIN, FLOAT ARM.....	1	1	
13	20917	16133-102-004	JET, NEEDLE.....	1	1	
14	17959	16141-077-004	VALVE, THROTTLE.....	1	1	
15	12566	16156-044-004	PLATE, NEEDLE CLIP.....	1	1	
16	12567	16157-044-004	CLIP, BAR.....	1	1	
17	22216	16162-107-004	SCREW, AIR.....	1	1	
18	07354	16163-217-004	SCREW, THROTTLE STOP.....	1	1	
19	20299	16164-045-014	SCREW, DRAIN.....	1	1	
20	22025	16171-040-004	WASHER, TOP.....	1	1	
21	20300	16172-098-004	WASHER, FLOAT CHAMBER.....	1	1	
22	04055	16173-250-004	O-RING, 24X2.4.....	1	1	
23	00567	16174-001-004	O-RING, 7.8X1.9.....	1	1	
24	17597	16174-045-004	O-RING, 3.8X1.9.....	1	1	
25	20301	16176-046-004	O-RING, 18.6x2.4.....	1	1	
26	15617	16177-551-004	O-RING, 4.2X1.1.....	1	1	
27	07924	16181-202-004	SPRING, AIR SCREW.....	1	1	
28	08366	16182-011-004	SPRING, THROTTLE STOP SCREW.....	1	1	
29	17600	16185-045-004	SPRING, THROTTLE.....	1	1	
30	17971	16188-040-004	WASHER, FIBER, 7.2X0.5.....	1	1	
31	25124	16118-045-770	CAP, CABLE.....	1	1	
32	20809	16199-077-004	CAP, COCK BUTTON RUBBER.....	1	1	
33	20302	16953-098-004	LEVER, COCK.....	1	1	
34	01479	16957-028-000	SCREEN, FUEL STRAINER.....	1	1	
35	11103	93500-0300608	SCREW, PAN, 3X6.....	2	2	

E-13 CARBURETOR (KEIHIN)

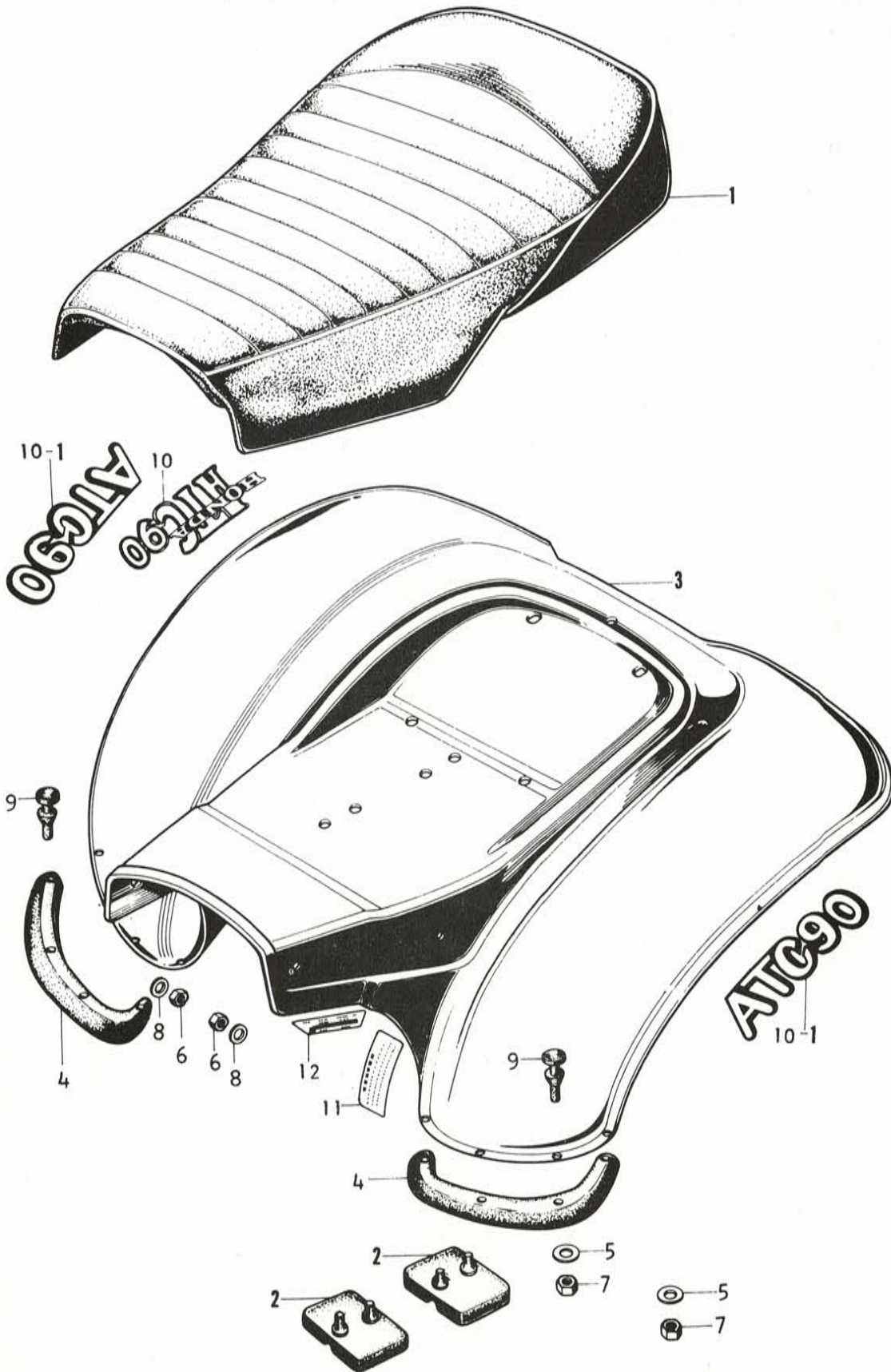


ATC 90

E-13 Carburetor

Ref. No.	H/C	Part Number	Description	ATC 90	ATC 90K1	Remarks
36	16665	93500-030060A	SCREW, PAN, 3X6.....	2	2	
37	16946	93500-040120A	SCREW, PAN, 4X12.....	2	2	
38	05895	94111-04000	WASHER, SPRING, 4MM.....	2	2	
39	26319	95001-35300-40	TUBE, FUEL, 3.5X300.....	1	1	
40	20921	99114-077-0620	JET, MAIN #62.....	1	1	
	20922	99114-077-0650	JET, MAIN #65 STD.....	1	1	
	17972	99114-077-0720	JET, MAIN #72.....	1	1	
	17973	99114-077-0750	JET, MAIN #75.....	1	1	
	17974	99114-077-0780	JET, MAIN #78.....	1	1	
41	20812	99145-03504	JET, SLOW #35 STD.....	1	1	
	20813	99145-03804	JET, SLOW #38.....	1	1	
42	25063	95002-02070	CLIP FUEL TUBE.....	1	1	

F-1 SEAT-FRAME COVER

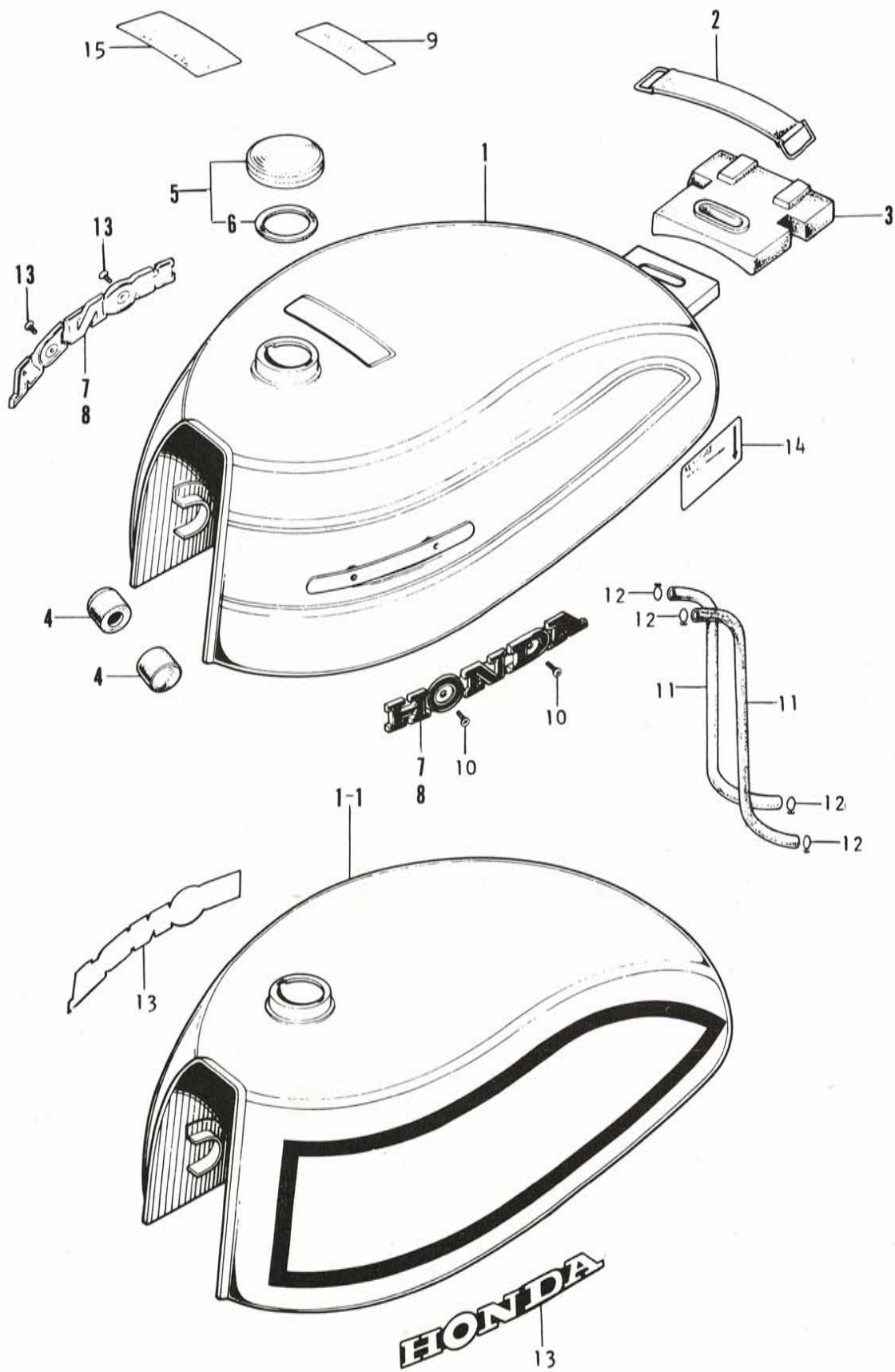


ATC 90

F-1 Seat - Frame Cover

Ref. No.	H/C	Part Number	Description	ATC 90	ATC 90K1	Remarks
1	23477	77200-918-020A	SEAT BLACK.....	1	-	
	30004	77200-918-030A	SEAT BLACK.....	-	1	
2	23478	77201-918-000	CUSHION, SEAT.....	2	2	
3	23479	80100-918-020Z	COVER, FRAME BODY NON SANDING.....	1	1	
	24119	80100-918-020AW	COVER, BODY *BRIGHT RED*.....	1	-	
	24120	80100-918-020CC	COVER, BODY *SUMMER YELLOW*.....	1	-	
	24121	80100-918-020DY	COVER, BODY *AQUARIUS BLUE*.....	1	-	
	24122	80100-918-020EK	COVER, BODY *PARROT GREEN*.....	1	-	
	30005	80100-918-020EC	COVER BODY *TAHITIAN RED*.....	-	1	
	29998	80100-918-020NE	COVER BODY *MIGHTY GREEN*.....	-	1	
4	23398	80106-918-010	PROTECTOR, FRAME COVER.....	2	2	
5	23913	90304-538-000	WASHER, STAY.....	2	2	
6	05799	94001-05000	NUT, HEX., 5MM.....	4	4	
7	15606	94001-060000S	NUT, HEX., 6MM.....	2	2	
8	05905	94101-05000	WASHER, PLAIN, 5MM.....	4	4	
9	24624	80105-918-000	GROMMET PROTECTOR.....	8	8	
10	24429	87506-918-000	EMBLEM, BODY.....	1	-	
	30000	87506-918-010	EMBLEM, BODY.....	-	1	
11	26342	87130-918-305	LABEL POSI-TORQUE.....	-	1	
12	29999	87131-918-670	MARK CAUTION.....	-	1	

F-2 FUEL TANK

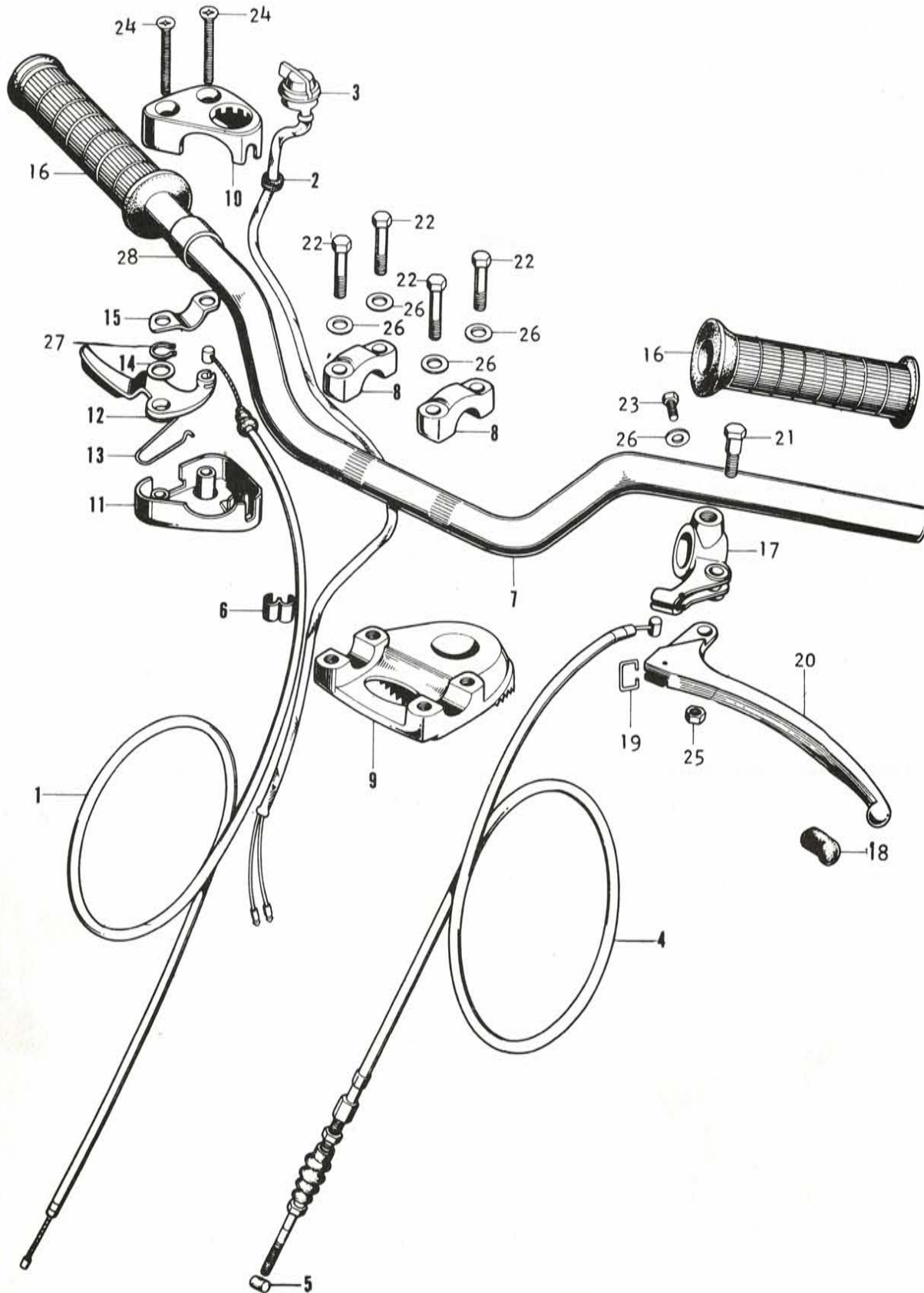


ATC 90

F-2 Fuel Tank

Ref. No.	H/C	Part Number	Description	ATC 90	ATC 90K1	Remarks
1	23499	17500-918-154EL	TANK, FUEL *AQUARIUS BLUE & WHITE*.	1	-	
	23500	17500-918-154EM	TANK, FUEL *BRIGHT RED & WHITE*....	1	-	
	23501	17500-918-154EN	TANK, FUEL *SUMMER YELLOW & BLACK*.	1	-	
	23502	17500-918-154EP	TANK, FUEL *PARROT GREEN & BLACK*..	1	-	
	30001	17500-918-155NF	TANK FUEL..... *TAHITIAN RED & LIGHTNING YELLOW*	-	1	
	29994	17500-918-155NG	TANK FUEL..... *MIGHTY GREEN & LIGHTNING YELLOW*	-	1	
2	23458	17505-918-000	BAND, FUEL TANK.....	1	1	
3	23459	17506-918-000	CUSHION, FUEL TANK RUBBER.....	1	1	
4	19594	17611-303-000	CUSHION, FUEL TANK FRONT.....	2	2	
5	23143	17620-114-000	CAP, FUEL FILLER.....	1	1	
6	00625	17631-001-000	PACKING, FUEL FILLER CAP.....	1	1	
7	23399	87123-918-000	EMBLEM A, FUEL TANK *BLACK*.....	2	-	
8	23400	87124-918-000	EMBLEM B, FUEL TANK *WHITE*.....	2	-	
9	26281	87505-918-010	PLATE, CAUTION.....	1	1	
10	21625	93700-030060B	SCREW, OVAL, 3X6.....	4	-	
11	29057	95001-55150-40	TUBE, FUEL, 5MM.....	2	2	
12	25098	95002-02100	CLIP, FUEL TUBE, 5MM.....	4	4	
13	29995	87123-918-010	EMBLEM TANK.....	-	2	
14	26343	87131-918-305	MARK CAUTION.....	1	-	
15	26934	87560-323-670A	MARK CAUTION(WHITE).....	1	1	
	26935	87560-323-670B	MARK CAUTION(BLACK).....	1	1	

F-3 Handle Bar

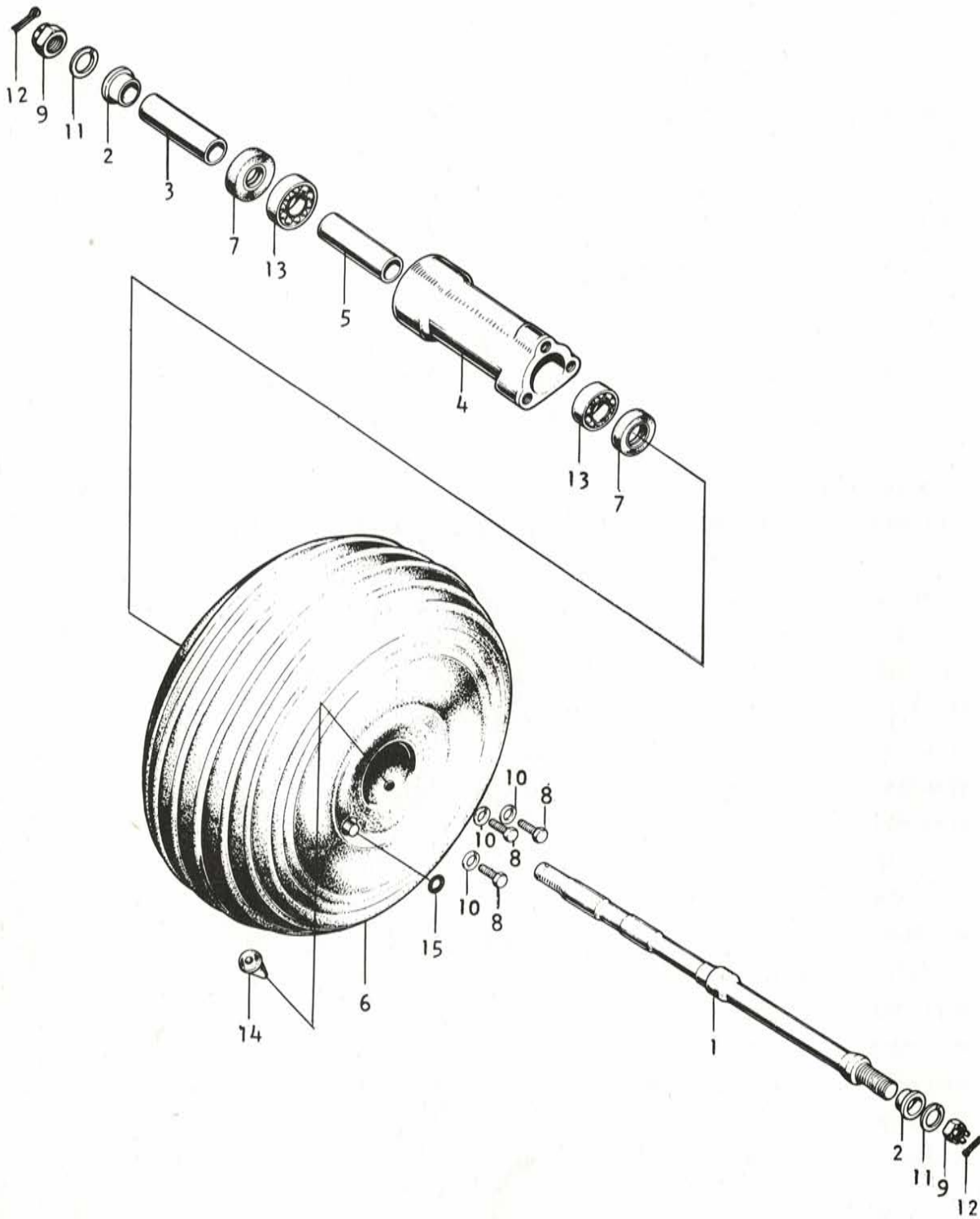


ATC 90

F-3 Handle Bar

Ref. No.	H/C	Part Number	Description	ATC 90	ATC 90K1.	Remarks
1	23460	17910-918-010	CABLE, THROTTLE.....	1	-	
	29996	17910-918-020	CABLE, THROTTLE.....	-	1	
2	23506	34601-568-600	PACKING, SEAT.....	1	1	
3	23507	35300-918-000	SWITCH ASSY., KILL.....	1	-	
	29997	35300-918-010	SWITCH ASSY., KILL.....	-	1	
4	23381	43460-918-010	WIRE, REAR BRAKE.....	1	1	
5	23384	43473-918-000	JOINT, BRAKE WIRE.....	1	1	
6	04852	45465-270-000	CLIP, FRONT BRAKE WIRE.....	1	1	
7	23465	53100-918-020XW	PIPE, STEERING HANDLE CHROME.....	1	1	
8	26889	95014-21100	HOLDER, HANDLE PIPE UPPER.....	2	2	
9	20932	53132-102-000	HOLDER, HANDLE PIPE UNDER.....	1	1	
10	23466	53141-918-000XW	COVER, THROTTLE LEVER CHROME.....	1	-	
	29047	53141-918-020XW	COVER, THROTTLE LEVER CHROME.....	-	1	
11	23467	53142-918-000	CASE, THROTTLE LEVER.....	1	1	
12	26289	53145-918-308	LEVER, THROTTLE BLACK.....	1	1	
13	23469	53146-918-000	SPRING, THROTTLE LEVER.....	1	1	
14	23470	53147-918-000	WASHER, 10MM.....	1	1	
15	23471	53148-918-000	SEAT, THROTTLE CASE.....	1	1	
16	25560	95011-14200	RUBBER, L. GRIP.....	2	-	
	29048	53166-918-000	RUBBER, L. GRIP.....	-	2	
17	23472	53172-918-000	BRACKET, HANDLE LEVER.....	1	1	
18	17833	53180-286-000	CAP, CONTROL LEVER.....	1	1	
19	23404	53180-918-010	SPRING, LEVER LOCK.....	1	1	
20	23405	53190-918-010	LEVER, L. STEERING HANDLE.....	1	1	
21	05130	90114-268-020	BOLT, HANDLE LEVER PIVOT.....	1	1	
22	17012	90117-065-000	BOLT, HEX., 6X28.....	4	4	
23	05429	92000-06022	BOLT, HEX., 6X22.....	1	1	
24	23886	93700-05045-08	SCREW, OVAL, 5X45.....	2	2	
25	15606	94001-06000S	NUT, HEX., 6MM.....	1	1	
26	05907	94101-06000	WASHER, PLAIN, 6MM.....	5	5	
27	15699	94510-10000	CIRCLIP, 10MM.....	1	1	
28	26306	53152-918-000	STOPPER LEVER.....	1	1	F ATC90-117202 TO

F-4 FRONT WHEEL-FRONT AXLE

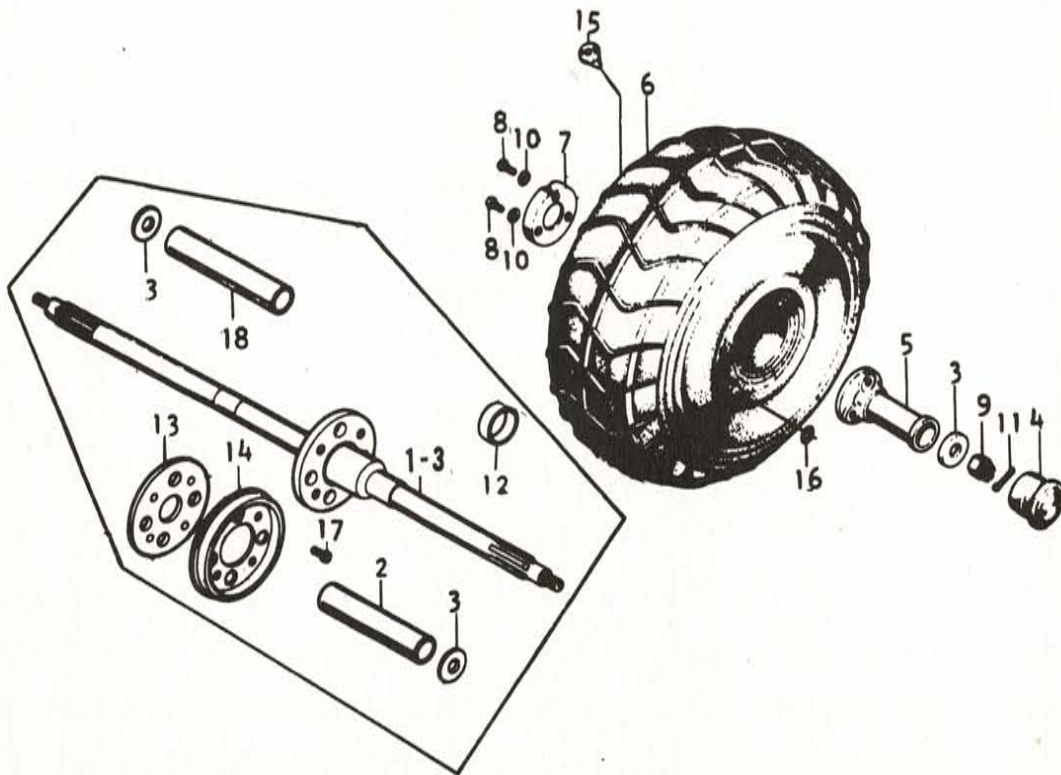
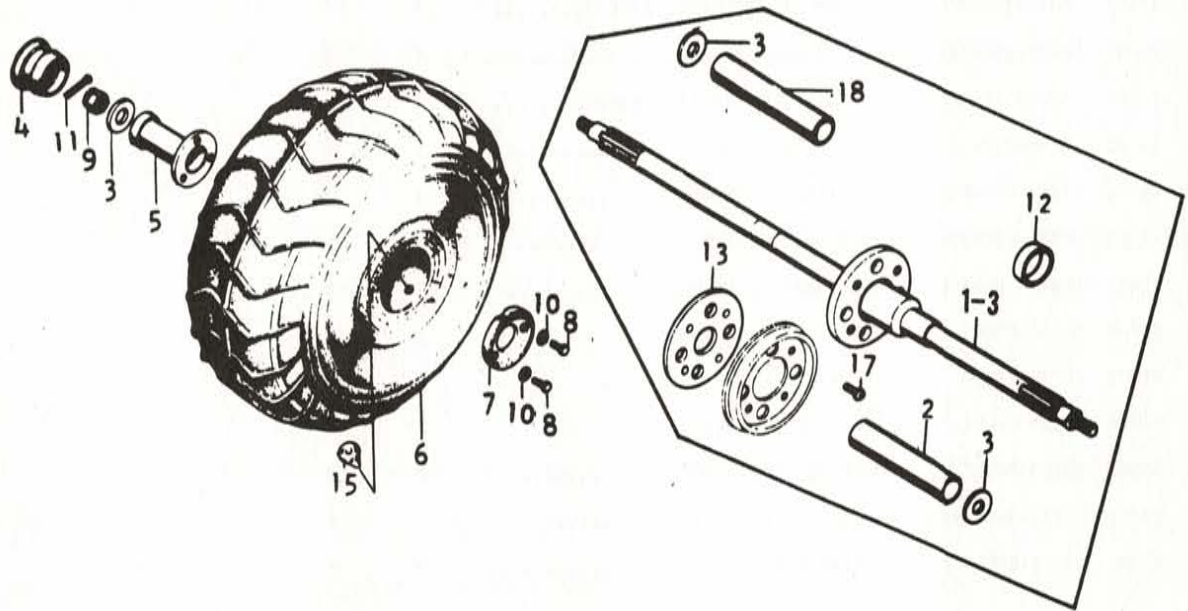


ATC 90

F-4 Front Wheel . Front Axle

Ref. No.	H/C	Part Number	Description	ATC 90	ATC 90K1	Remarks
1	23385	44301-918-020	AXLE, FRONT WHEEL.....	1	1	
2	23386	44302-918-000	COLLAR, FRONT AXLE.....	2	2	
3	23387	44311-918-000	COLLAR, FRONT WHEEL SIDE.....	1	1	
4	23388	44601-918-030	HUB, FRONT WHEEL.....	1	1	
5	23389	44620-918-010	COLLAR, FRONT AXLE DISTANCE.....	1	1	
6	23390	44710-918-007	TIRE, FRONT WHEEL.....	1	1	
7	23436	91201-918-025	DUST-SEAL, 20X35X8.....	2	2	
8	15935	92000-080250A	BOLT, HEX., 8X25.....	3	3	
9	23401	94011-12000-05	NUT, CASTLE, 12MM.....	2	2	
10	05898	94111-08000	WASHER, SPRING, 8MM.....	3	3	
11	05902	94111-12000	WASHER, SPRING, 12MM.....	2	2	
12	05845	94201-30450	PIN, COTTER 3MM.....	2	2	
13	10400	96100-60030	BEARING, BALL, 6003.....	2	2	
14	28721	42712-918-000	PLUG.....	1	1	
15	25305	42713-918-303	O RING 6.5X1.9.....	1	-	

F-5 Rear Wheel . Rear Axle



ATC 90

F-5 Rear Wheel . Rear Axle

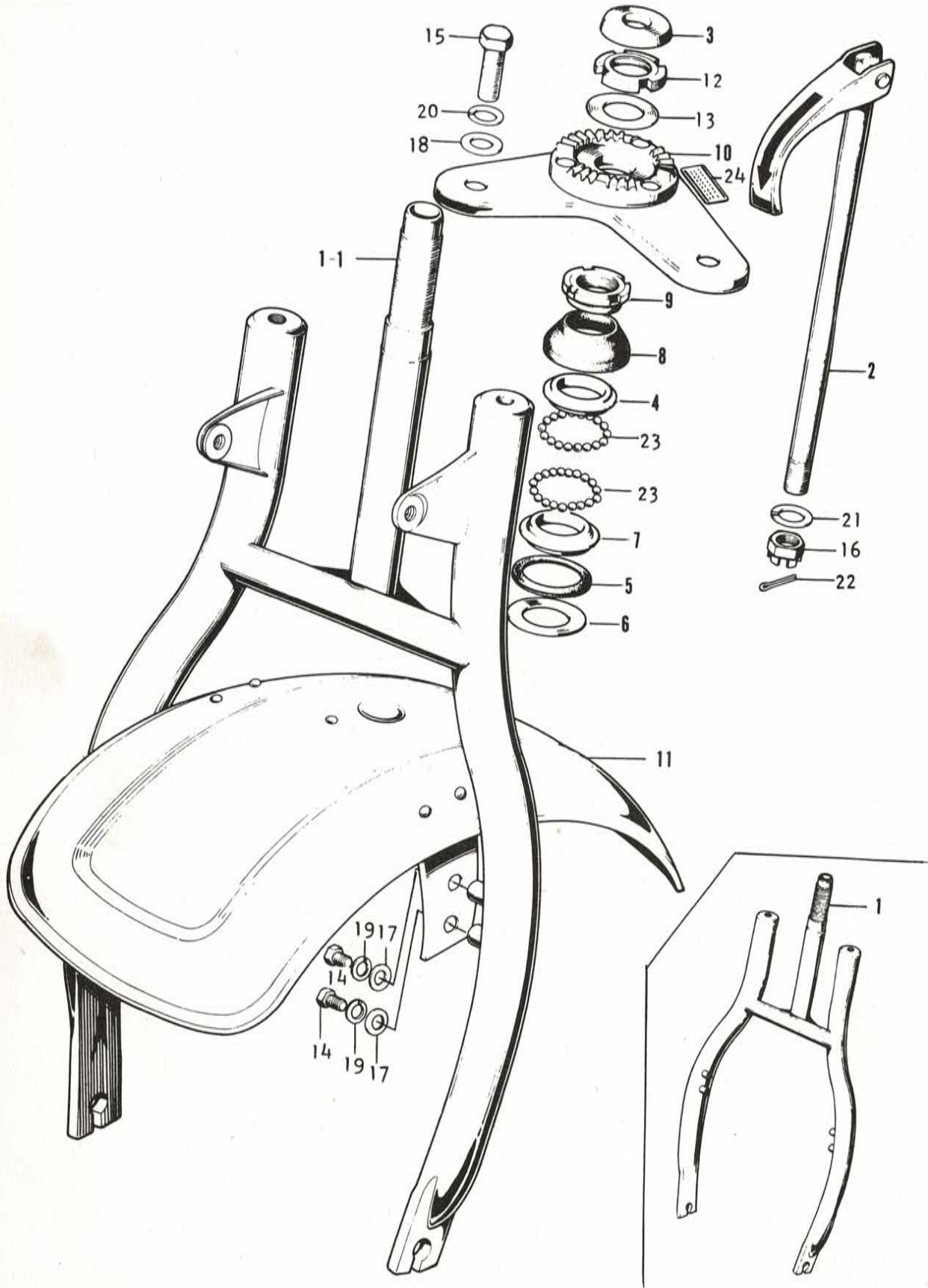
Ref. No.	H/C	Part Number	Description	ATC 90	ATC 90K1	Remarks
1	25341	42311-918-325	AXLE SET A REAR.....	1	-	F ATC90-100001 TO ATC90-109022
	26271	42310-918-305	AXLE SET B REAR.....	1	-	F ATC90-109023 TO ATC90-122815
	26272	42311-918-013	AXLE COMP. REAR.....	1	1	F ATC90-122816 TO
2	26270	42313-918-020	PIPE, REAR AXLE DISTANCE.....	1	1	
3	26267	42322-918-010	WASHER, 15MM.....	2	2	
4	23513	42325-918-000	CAP, AXLE.....	2	2	
5	23496	42400-918-050	BOSS WHEEL.....	2	2	
6	23377	42710-918-007	TIRE, REAR WHEEL.....	2	2	
7	23378	42714-918-000	PATCH, SUPPORT PLATE.....	2	2	
8	15935	92000-080250A	BOLT, HEX., 8X25.....	6	6	
9	23402	94011-14000-0S	NUT, CASTLE, 14MM.....	2	2	
10	05898	94111-08000	WASHER, SPRING, 8MM.....	6	6	
11	05845	94201-30450	PIN, COTTER, 3MM.....	2	2	
12	26268	42303-918-000	PLATE STOPPER.....	1	1	F ATC90-109023 TO
13	26506	42326-918-301	WASHER.....	1	1	F ATC90-109023 TO
14	26505	42327-918-301	PLATE SHIELD.....	1	1	F ATC90-109023 TO
15	28721	42712-918-000	PLUG.....	2	2	
16	25305	42713-918-303	O RING 6.5X1.9.....	2	-	
17	05740	93500-06010	SCREW PAN, 6X10.....	4	4	
18	26273	42320-918-000	PIPE AXLE, REAR AXLE.....	1	1	

ATC 90

F-6 Front Fork . Front Fender

Ref. No.	H/C	Part Number	Description	ATC 90	ATC 90K1	Remarks
1	23449	51400-918-030Z	FORK, FRONT *NON SANDING*.....	1	-	
	24369	51400-918-030AW	FORK, FRONT *BRIGHT RED*.....	1	-	
	24370	51400-918-030CC	FORK, FRONT *SUMMER YELLOW*.....	1	-	
	24372	51400-918-030DY	FORK, FRONT *AQUARIUS BLUE*.....	1	-	
	24371	51400-918-030EK	FORK, FRONT *PARROT GREEN*.....	1	-	
	29990	51400-918-040EC	FORK, FRONT *TAHITIAN RED*.....	-	1	
	29991	51400-918-040NE	FORK, FRONT *MIGHTY GREEN*.....	-	1	
	29992	51400-918-040Z	FORK, FRONT *NON SANDING*.....	-	1	
2	20930	53130-102-000	LEVER, HANDLE CLAMP.....	1	1	
3	20931	53133-102-000	WASHER, HANDLE CLAMP LEVER.....	1	1	
4	23473	53211-028-000	RACE, STEERING TOP CONE.....	1	1	
5	00907	53214-001-010	DUST-SEAL, STEERING HEAD.....	1	1	
6	23474	53215-918-000	WASHER, DUST SEAL.....	1	1	
7	01995	53217-030-305	RACE, STEERING BOTTOM CONE.....	1	1	
8	23393	53222-918-000	MUDGUARD, STEERING HEAD TOP.....	1	1	
9	23475	53229-098-310	THREAD, STEERING HEAD TOP.....	1	1	
10	23394	53230-918-000AW	BRIDGE, FORK TOP *BRIGHT RED*.....	1	-	
	23395	53230-918-000CC	BRIDGE, FORK TOP *SUMMER YELLOW*....	1	-	
	23396	53230-918-000DY	BRIDGE, FORK TOP *AQUARIUS BLUE*....	1	-	
	23397	53230-918-000EK	BRIDGE, FORK TOP *PARROT GREEN*....	1	-	
	29993	53230-918-000AU	BRIDGE, FORK TOP..... *CLOUD SILVER METALLIC*	-	1	
11	23476	61100-918-030Z	FENDER, FRONT *NON SANDING*.....	1	1	
	24373	61100-918-030AW	FENDER FRONT *BRIGHT RED*.....	1	-	
	24374	61100-918-030CC	FENDER FRONT *SUMMER YELLOW*.....	1	-	
	24375	61100-918-030DY	FENDER FRONT *AQUARIUS BLUE*.....	1	-	
	29077	61100-918-030EC	FENDER FRONT *TAHITIAN RED*.....	-	1	
	24376	61100-918-030EK	FENDER FRONT *PARROT GREEN*.....	1	-	
	29085	61100-918-030NE	FENDER FRONT *MIGHTY GREEN*.....	-	1	
12	01223	90304-011-000	NUT, STEERING STEM.....	1	1	
13	01232	90503-011-000	WASHER, STEERING STEM.....	1	1	
14	05419	92000-06012	BOLT, HEX., 6X12.....	4	4	
15	26291	92000-10022-0A	BOLT, HEX., 10X22.....	2	2	
16	20934	94012-140000S	NUT, CASTLE, 14MM.....	1	1	
17	05907	94101-06000	WASHER, PLAIN, 6MM.....	4	4	
18	05911	94101-10000	WASHER, PLAIN, 10MM.....	2	2	
19	05897	94111-06000	WASHER, SPRING, 6MM.....	4	4	
20	05900	94111-10000	WASHER, SPRING, 10MM.....	2	2	

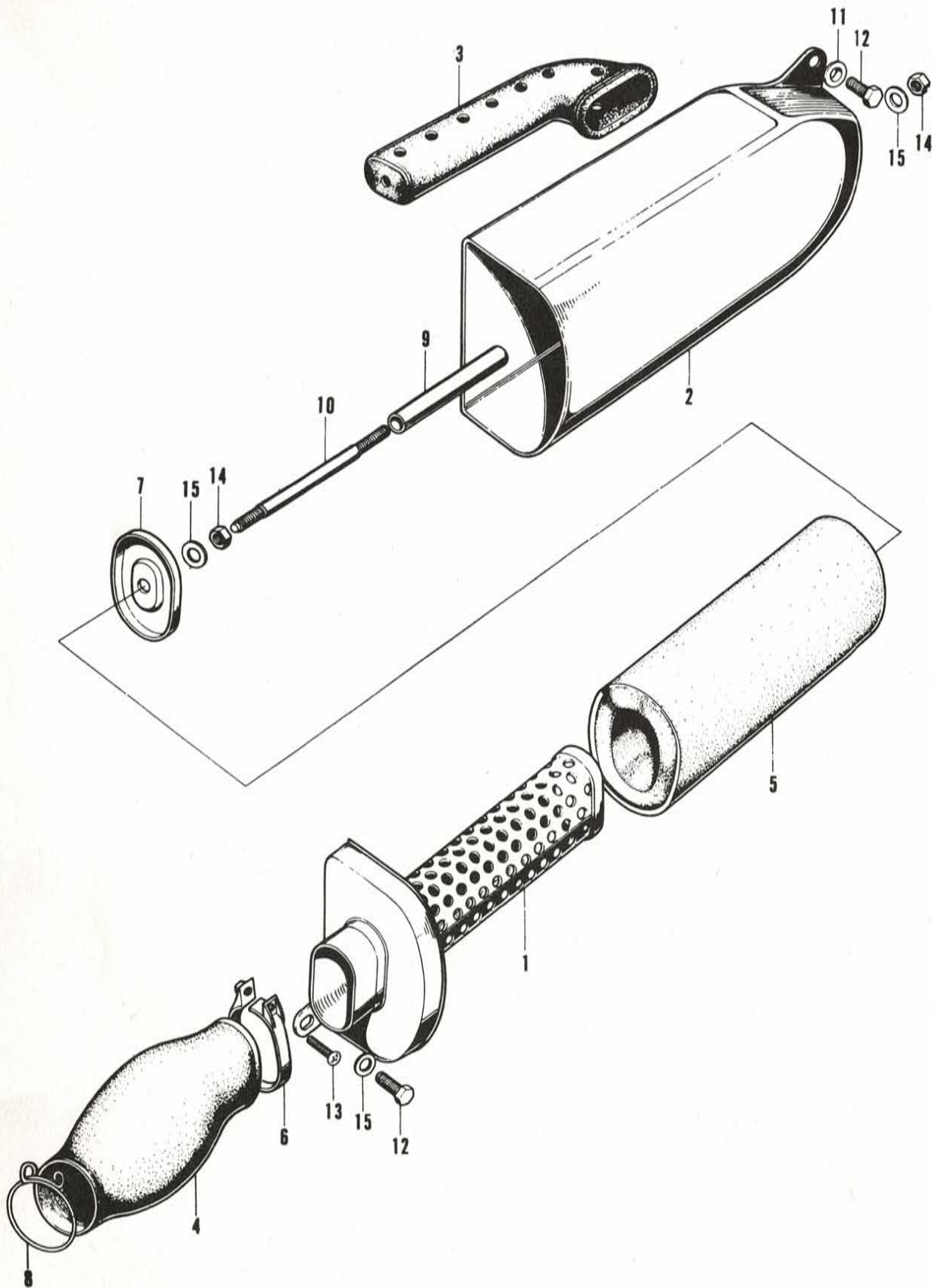
F-6 FRONT FORK-FRONT FENDER



ATC 90**F-6 Front Fork . Front Fender**

Ref. No.	H/C	Part Number	Description	ATC 90	ATC 90K1	Remarks
21	10963	94111-14000	WASHER, SPRING, 14MM.....	1	1	
22	05845	94201-30450	PIN, COTTER, 3MM.....	1	1	
23	05892	96211-06000	BALL, STEEL, #6.....	42	42	
24	26344	87506-918-305	MARK B CAUTION.....	1	1	

F-7 AIR CLEANER

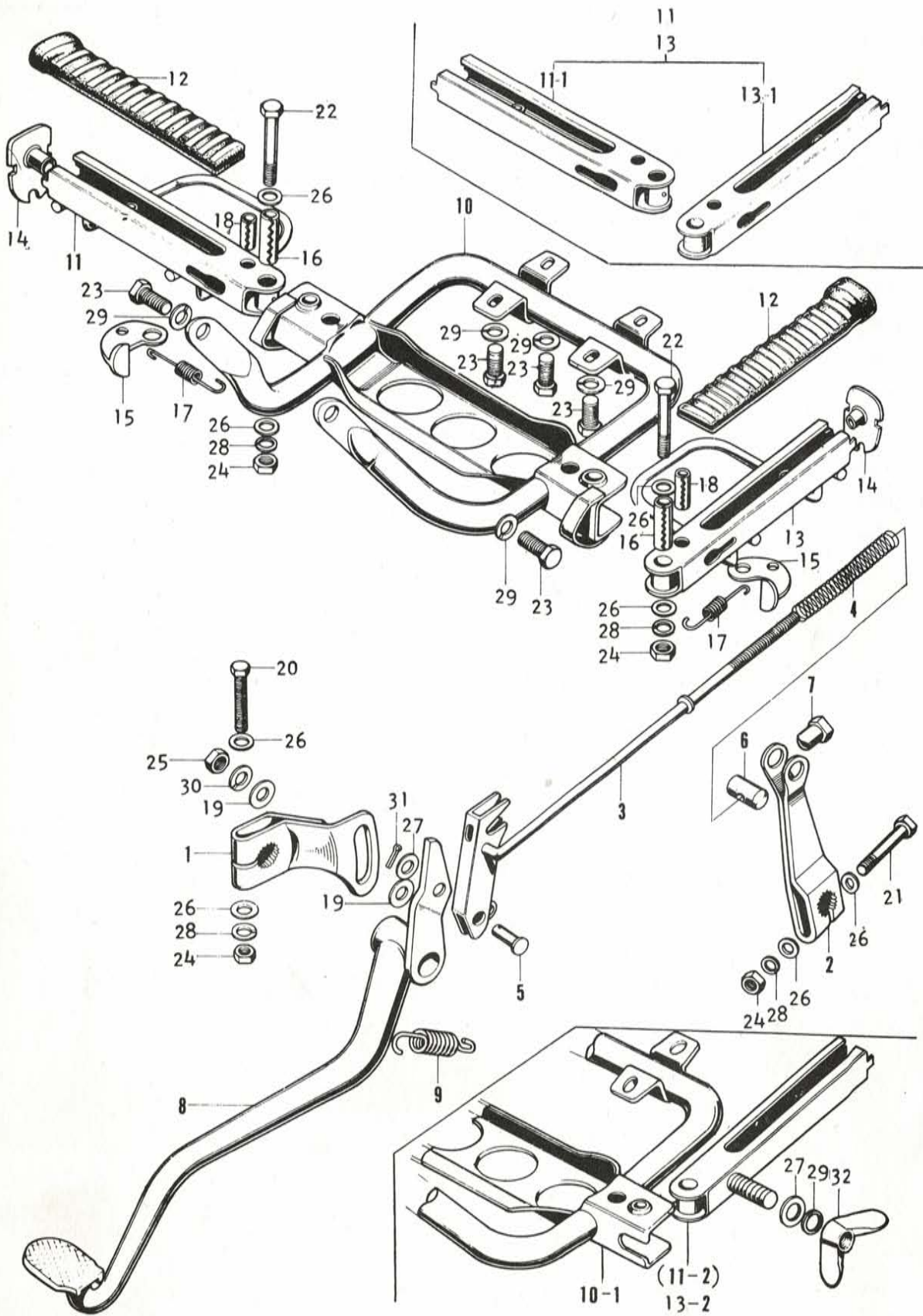


ATC 90

F-7 Air Cleaner

Ref. No.	H/C	Part Number	Description	ATC 90	ATC 90K1	Remarks
1	23450	17211-918-010	BODY, AIR CLEANER.....	1	1	
2	23451	17231-918-010B	CASE, AIR CLEANER *BLACK*.....	1	1	
3	23452	17251-918-010	TUBE, AIR CLEANER INLET.....	1	1	
4	23453	17253-918-010	TUBE, AIR CLEANER CONNECTING.....	1	1	
5	23454	17254-918-000	ELEMENT, AIR CLEANER.....	1	1	
6	18109	17255-046-010	BAND, AIR CLEANER CONNECTING.....	1	1	
7	23455	17255-918-000	HOLDER, ELEMENT.....	1	1	
8	20380	17256-041-000	BAND B, AIR CLEANER CONNECTING.....	1	1	
9	23456	17256-918-000	COLLAR, 10MM.....	1	1	
10	23457	17257-918-000	BOLT, AIR CLEANER.....	1	1	
11	14976	90554-240-000	WASHER, CHAIN CASE SETTING.....	1	1	
12	05419	92000-06012	BOLT, HEX., 6X12.....	2	2	
13	14555	93500-050160A	SCREW, PAN, 5X16.....	1	1	
14	15606	94001-060000S	NUT, HEX., 6MM.....	2	2	
15	05907	94101-06000	WASHER, PLAIN, 6MM.....	3	3	

F-8 Brake Pedal . Step

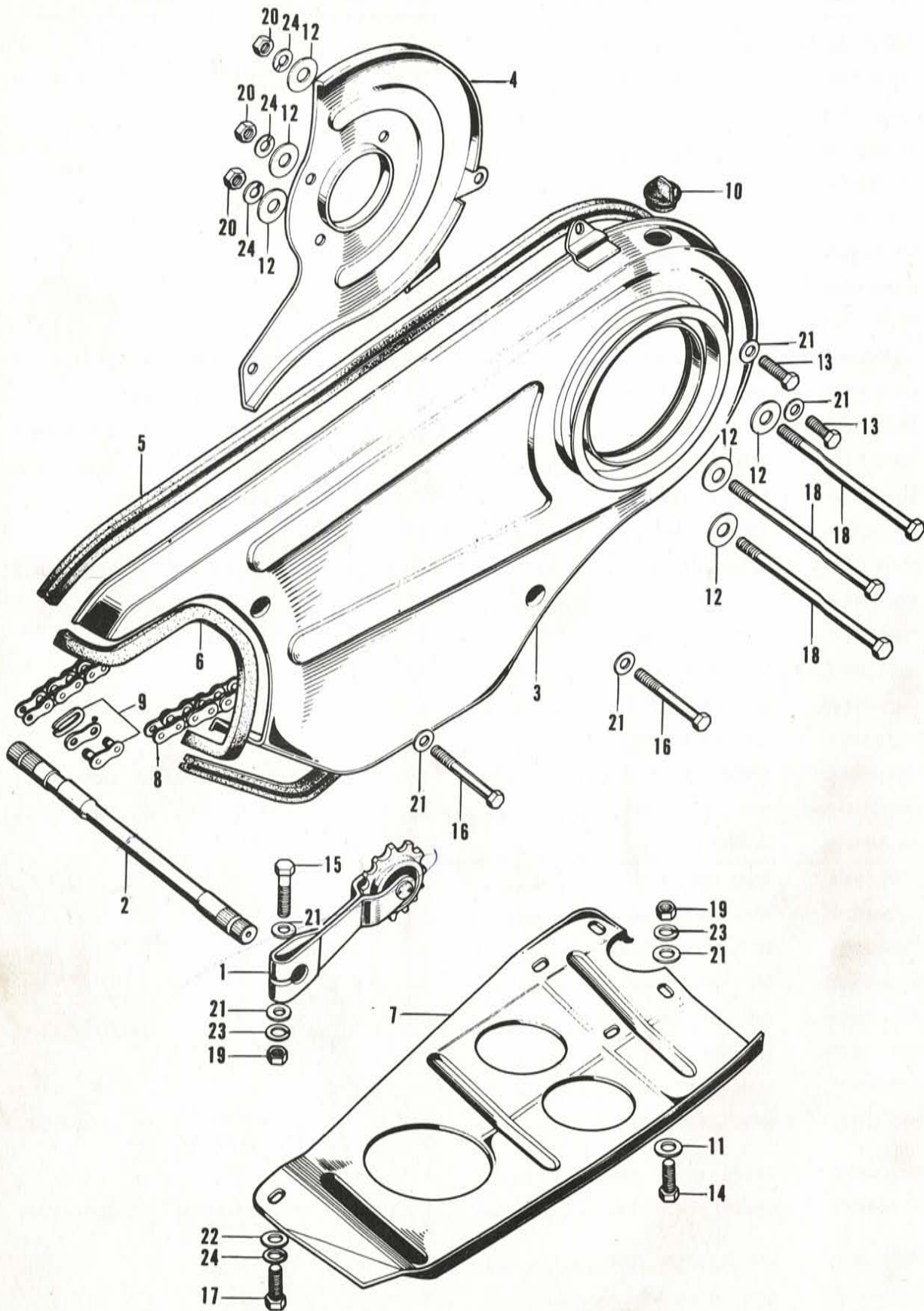


ATC 90

F-8 Brake Pedal . Step

Ref. No.	H/C	Part Number	Description	ATC 90	ATC 90K1	Remarks
1	23521	40512-918-040	ARM, TENSIONER LOCK.....	1	1	
2	23380	43410-918-000	ARM, REAR BRAKE.....	1	1	
3	23382	43470-918-000	LEVER, ESCAPE.....	1	1	
4	01177	43472-001-000	SPRING, REAR BRAKE ROD.....	1	1	
5	23383	43472-918-000	SHAFT, ESCAPE.....	1	1	
6	01019	45461-001-000	JOINT, FRONT BRAKE ARM.....	1	1	
7	11883	45462-028-000	NUT, FRONT BRAKE ADJUST.....	1	1	
8	23391	46500-918-010XW	PEDAL, BRAKE CHROME.....	1	1	
9	23392	46514-918-000	SPRING, BRAKE PEDAL.....	1	1	
10	23441	50610-918-030B	BRACKET, STEP BLACK.....	1	-	F ATC90-100001 TO ATC90-112429
	26304	50610-918-040B	BRACKET, STEP BLACK.....	1	1	F ATC90-112430 TO
11	24675	50630-918-305	STEP, RIGHT.....	1	-	F ATC90-100001 TO ATC90-102911
	24674	50630-918-040	STEP, COMP., RIGHT.....	1	-	F ATC90-102912 TO ATC90-112429
	26302	50630-918-050	STEP, COMP., RIGHT.....	1	1	F ATC90-112430 TO
12	23442	50635-918-000	RUBBER, STEP.....	2	2	
13	24675	50630-918-305	STEP, LEFT.....	1	-	F ATC90-100001 TO ATC90-102911
	24676	50640-918-040	STEP, COMP., LEFT.....	1	-	F ATC90-102912 TO ATC90-112429
	26303	50640-918-050	STEP, COMP., LEFT.....	1	1	F ATC90-112430 TO
14	23443	50651-918-300XW	STOPPER, STEP.....	2	2	
15	23444	50671-918-000	LEVER, STEP.....	2	-	F ATC90-100001 TO ATC90-112429
16	23445	50672-918-000	PIN, SPRING, 10X36.....	2	2	
17	23446	50673-918-000	SPRING, LOCK.....	2	-	F ATC90-100001 TO ATC90-112429
18	23447	50674-918-000	PIN, SPRING, 8X20.....	2	-	F ATC90-100001 TO ATC90-112429
19	14886	90528-230-000	WASHER, 10.2.....	2	2	
20	05438	92000-06035	BOLT, HEX., 6X35.....	1	1	
21	05441	92000-06040	BOLT, HEX., 6X40.....	1	1	
22	05444	92000-06045	BOLT, HEX., 6X45.....	2	2	
23	17172	92000-080200A	BOLT, HEX., 8x20.....	6	6	
24	15606	94001-060000S	NUT, HEX., 6MM.....	4	4	
25	14539	94001-100000S	NUT, HEX., 10MM.....	1	1	
26	05907	94101-06000	WASHER, PLAIN, 6MM.....	8	8	
27	05909	94101-08000	WASHER, PLAIN, 8MM.....	1 3	- 3	F ATC90-100001 TO ATC90-112429 F ATC90-112430 TO
28	05897	94111-06000	WASHER, SPRING, 6MM.....	4	4	
29	05898	94111-08000	WASHER, SPRING, 8MM.....	6 8	- 8	F ATC90-100001 TO ATC90-112429 F ATC90-112430 TO
30	05900	94111-10000	WASHER, SPRING, 10MM.....	1	1	
31	05838	94201-20350	PIN, COTTER, 2MM.....	2	2	
32	26300	90173-918-000	NUT RING 8MM.....	2	2	F ATC90-112430 TO

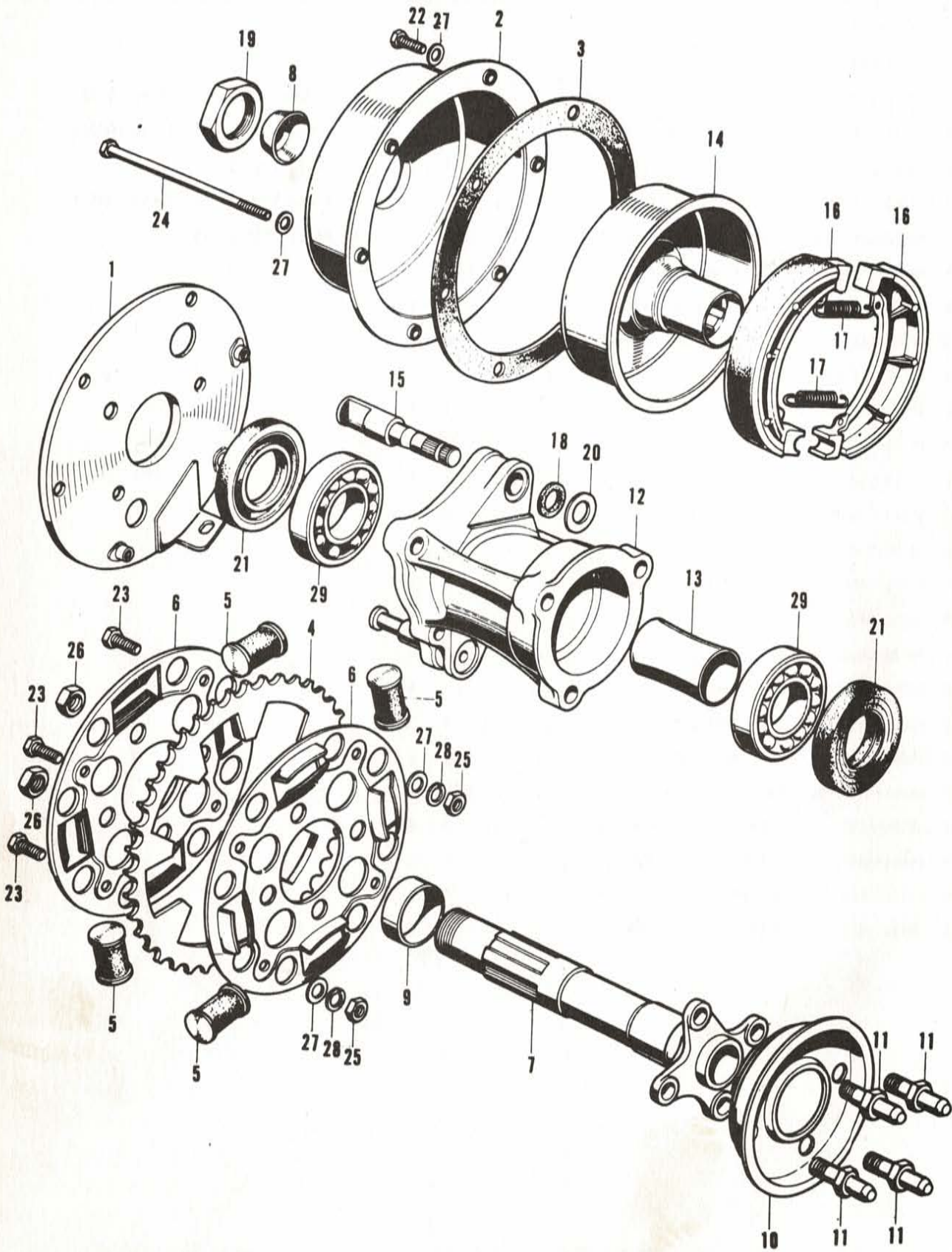
F-9 CHAIN-CHAIN CASE



F-9 Chain . Chain Case

Ref. No.	H/C	Part Number	Description	ATC90 K1		Remarks	
1	23519	40500-918-000	TENSIONER, CHAIN.....	1	1		
2	23520	40511-918-040	SHAFT, TENSIONER.....	1	1		
3	23522	40521-918-310B	CASE, DRIVE CHAIN *BLACK*.....	1	1	F ATC90-100001	TO ATC90-100621
	23908	40521-918-320B	CASE, DRIVE CHAIN *BLACK*.....	1	1	F ATC90-100622	TO ATC90-109022
•	26507	40521-918-330B	CASE, DRIVE CHAIN *BLACK*.....	1	1	F ATC90-109023	TO
4	23523	40523-918-030B	COVER, SUB CHAIN *BLACK*.....	1	1	F ATC90-100001	TO ATC90-100621
	24032	40523-918-040B	COVER, SUB CHAIN *BLACK*.....	1	1	F ATC90-100622	TO
5	23524	40524-918-300	SEAL A, CHAIN CASE.....	1	1		
6	23481	40525-918-300	SEAL B, CHAIN CASE.....	1	1		
7	23510	40528-918-000B	PLATE, PROTECTOR BLACK.....	1	1		
8	23482	40530-918-006	CHAIN, DRIVE.....	1	1		
9	21586	40531-028-003	JOINT, DRIVE CHAIN.....	1	1		
10	23486	40545-918-000	CAP, CHAIN PEEP HOLE.....	1	1		
11	24060	71979-538-940	WASHER.....	1	1		
12	08169	90521-259-000	WASHER, 8.5MM.....	6	6		
13	05419	92000-06012	BOLT, HEX., 6X12.....	2	2		
14	05423	92000-06016	BOLT, HEX., 6X16.....	4	4		
15	05438	92000-06035	BOLT, HEX., 6X35.....	1	1		
16	05447	92000-06050	BOLT, HEX., 6X50.....	2	2		
17	14543	92000-08016-0A	BOLT, HEX., 8X16.....	1	1		
18	23917	92000-08120-0A	BOLT, HEX., 8X120.....	3	3		
19	15606	94001-06000-0S	NUT, HEX., 6MM.....	3	3		
20	16733	94001-08000-0S	NUT, HEX., 8MM.....	3	3		
21	05907	94101-06000	WASHER, PLAIN, 6MM.....	8	8		
22	05909	94101-08000	WASHER, PLAIN, 8MM.....	1	1		
23	05897	94111-06000	WASHER, SPRING, 6MM.....	5	5		
24	05898	94111-08000	WASHER, SPRING, 8MM.....	4	4		

F-10 BRAKE-REAR HUB

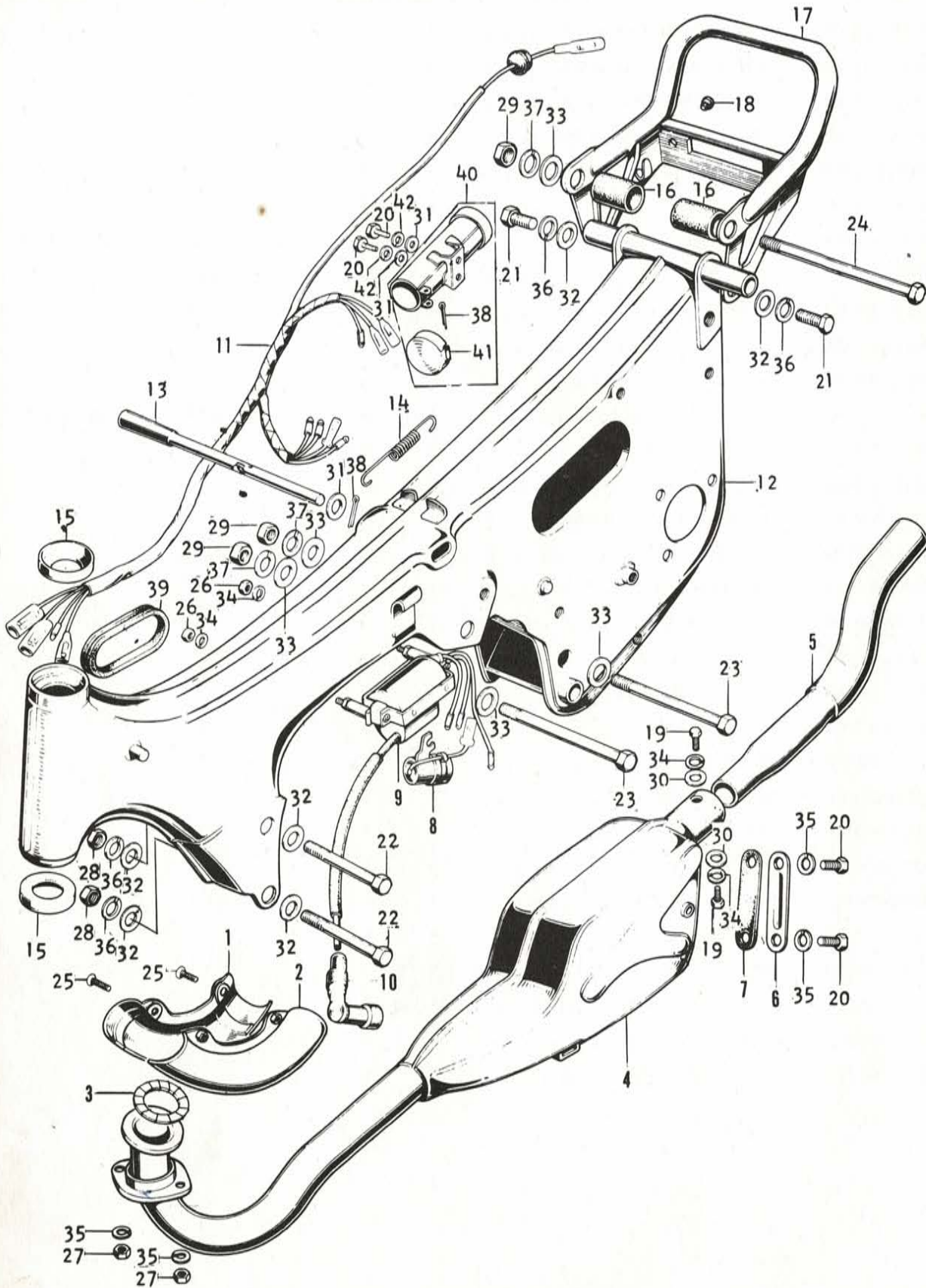


ATC 90

F-10 Brake - Rear Hub

Ref. No.	H/C	Part Number	Description	ATC 90	ATC 90K1	Remarks
1	23483	40531-918-030B	COVER A, BRAKE DRUM BLACK.....	1	1	
2	23484	40532-918-000B	COVER B, BRAKE DRUM BLACK.....	1	1	
3	23485	40533-918-000	PACKING, BRAKE DRUM COVER.....	1	1	
4	23487	41201-918-020	SPROCKET, FINAL DRIVEN 49T.....	1	1	
5	23488	41241-918-000	RUBBER, DAMPER.....	4	4	
6	23489	41245-918-000	HOLDER, DAMPER.....	2	2	
7	23490	42300-918-060	SHAFT, WHEEL.....	1	-	F ATC90-100001 TO ATC90-109022
	26269	42300-918-070	SHAFT, WHEEL.....	1	1	F ATC90-109023 TO
8	23511	42305-918-000	WASHER, SEAL.....	1	1	
9	23493	42314-918-000	COLLAR, WHEEL SHAFT.....	1	1	
10	23494	42315-918-000B	PLATE, DRIVE CHAIN BLACK.....	1	-	
	25839	42315-918-308	PLATE, DRIVE CHAIN BLACK.....	1	-	F ATC90-100001 TO ATC90-109022
11	23495	42316-918-000	BOLT, REAR DRIVE.....	4	4	
12	23497	42601-918-070	HUB, REAR WHEEL.....	1	1	
13	23498	42621-918-010	COLLAR, REAR AXLE DISTANCE.....	1	1	
14	23376	42622-918-040B	DRUM, REAR BRAKE.....	1	1	
15	23379	43141-918-000	CAM, BRAKE.....	1	1	
16	13790	45120-230-000	SHOE, FRONT BRAKE.....	2	2	
17	25013	45133-303-000	SPRING, BRAKE SHOE.....	2	2	
18	04839	45134-250-000	DUST-SEAL, BRAKE CAM.....	1	1	
19	23435	90307-918-030	NUT, BRAKE DRUM.....	1	1	
20	03425	90526-216-000	WASHER, 14X26.....	1	1	
21	23437	91203-918-015	DUST-SEAL, 40X62X7.....	2	2	
22	05419	92000-06012	BOLT, HEX., 6X12.....	5	5	
23	05421	92000-06014	BOLT, HEX., 6X14.....	4	4	
24	24062	92000-06120	BOLT, HEX., 6X120.....	1	1	
25	15606	94001-060000S	NUT, HEX., 6MM.....	4	4	
26	14539	94001-100000S	NUT, HEX., 10MM.....	4	4	
27	05907	94101-06000	WASHER, PLAIN, 6MM.....	10	10	
28	05897	94111-06000	WASHER, SPRING, 6MM.....	4	4	
29	10403	96100-60070	BEARING, BALL, 6007.....	2	2	

F-11 FRAME-MUFFLER

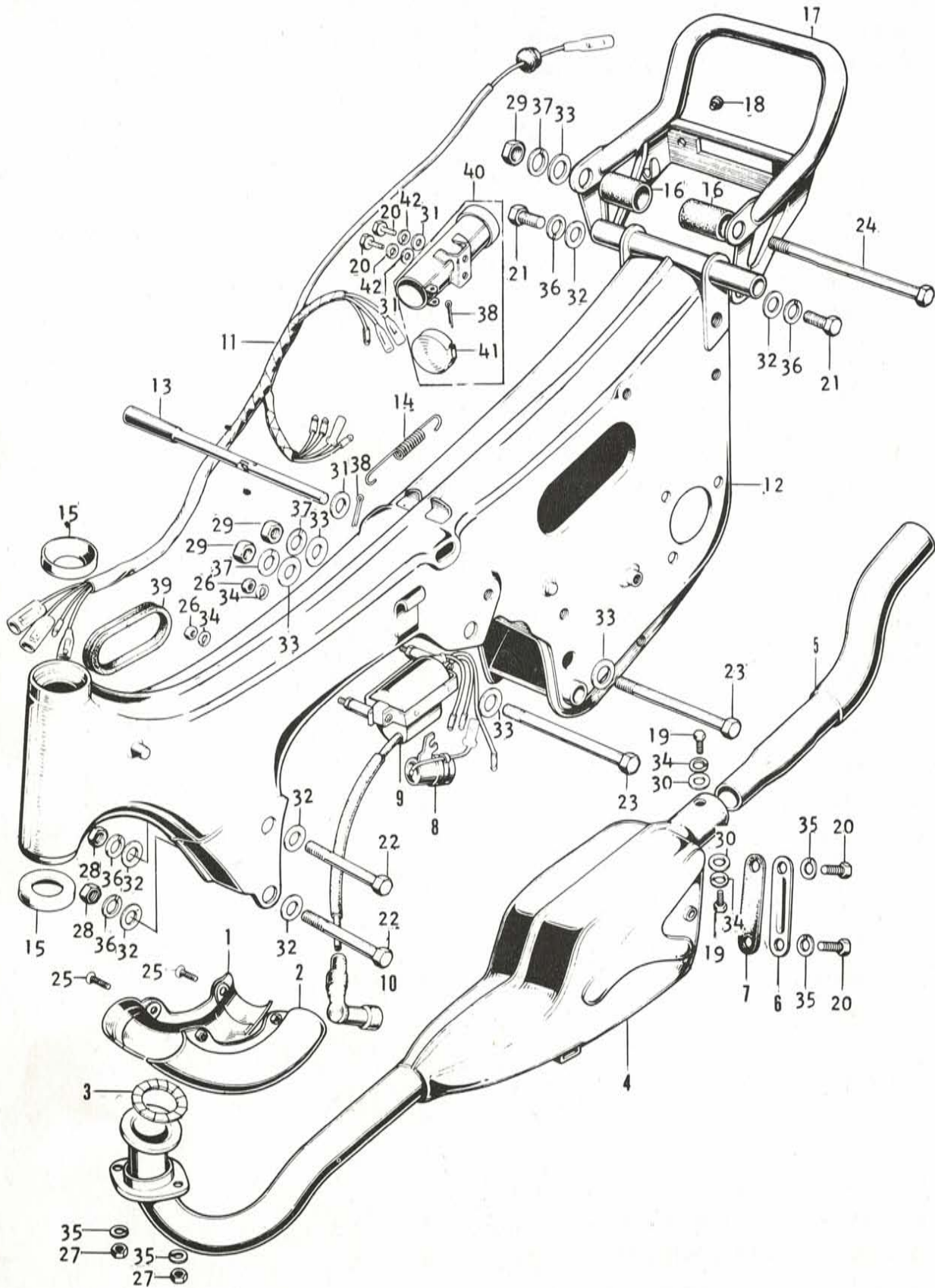


ATC 90

F-11 Frame . Muffler

Ref. No.	H/C	Part Number	Description	ATC 90	ATC 90K1	Remarks
1	23503	18241-918-670XW	COVER A, EXHAUST PIPE *CHROME*.....	1	1	
2	23504	18242-918-670XW	COVER B, EXHAUST PIPE *CHROME*.....	1	1	
3	01489	18291-028-000	GASKET, EXHAUST PIPE.....	1	1	
4	23461	18300-918-671CT	MUFFLER, EXHAUST *OFF BLACK*.....	1	1	
5	23462	18311-918-671XW	PIPE, DIFFUSER CHROME.....	1	1	
6	11353	18373-310-000	LID, MUFFLER.....	1	1	
7	11354	18374-310-000	PACKING, MUFFLER LID.....	1	1	
8	08689	30250-052-000	CONDENSER ASSY.....	1	1	
9	23464	30500-918-670	COIL ASSY., IGNITION.....	1	1	
10	23517	30600-918-670	CAP ASSY., NOISE SUPPRESSOR.....	1	1	
11	29972	32100-918-673	HARNESS, WIRE.....	1	1	
12	23514	50100-918-031B	BODY, FRAME *BLACK*.....	1	-	
13	23439	50221-918-000	ROD, 6MM.....	1	1	
14	23440	50222-918-000	SPRING, COVER SET.....	1	1	
15	17206	50301-041-305	RACE, STEERING TOP BALL.....	2	2	
16	23448	50801-918-000	RUBBER, MOUNT SET.....	2	2	
17	23480	81200-918-010XW	PIPE, CARRY CHROME.....	1	1	
18	23909	88221-538-000	GROMMET, BRACKET.....	2	2	
19	26301	92000-05008-0B	BOLT, HEX., 5X8.....	2	2	
20	05419	92000-06012	BOLT, HEX., 6X12.....	2	2	
21	19747	92000-080180A	BOLT, HEX., 8X18.....	2	2	
22	24431	92100-08063-0A	BOLT, HEX., 8X63.....	2	2	
23	17364	92000-101200A	BOLT, HEX., 10X120.....	2	2	
24	26307	90196-918-000	BOLT, HEX., 10X180.....	1	1	
25	14555	93500-05016-0A	SCREW, PAN, 5X16.....	2	2	
26	15688	94001-050000S	NUT, HEX., 5MM.....	2	2	
27	15606	94001-060000S	NUT, HEX., 6MM.....	2	2	
28	16733	94001-080000S	NUT, HEX., 8MM.....	2	2	
29	14539	94001-100000S	NUT, HEX., 10MM.....	3	3	
30	05905	94101-05000	WASHER, PLAIN, 5MM.....	2	2	
31	05907	94101-06000	WASHER, PLAIN, 6MM.....	1	1	
32	05909	94101-08000	WASHER, PLAIN, 8MM.....	6	6	
33	05911	94101-10000	WASHER, PLAIN, 10MM.....	5	5	
34	05896	94111-05000	WASHER, SPRING, 5MM.....	4	4	
35	05897	94111-06000	WASHER, SPRING, 6MM.....	4	4	
36	05898	94111-08000	WASHER, SPRING, 8MM.....	4	4	
37	05900	94111-10000	WASHER, SPRING, 10MM.....	3	3	

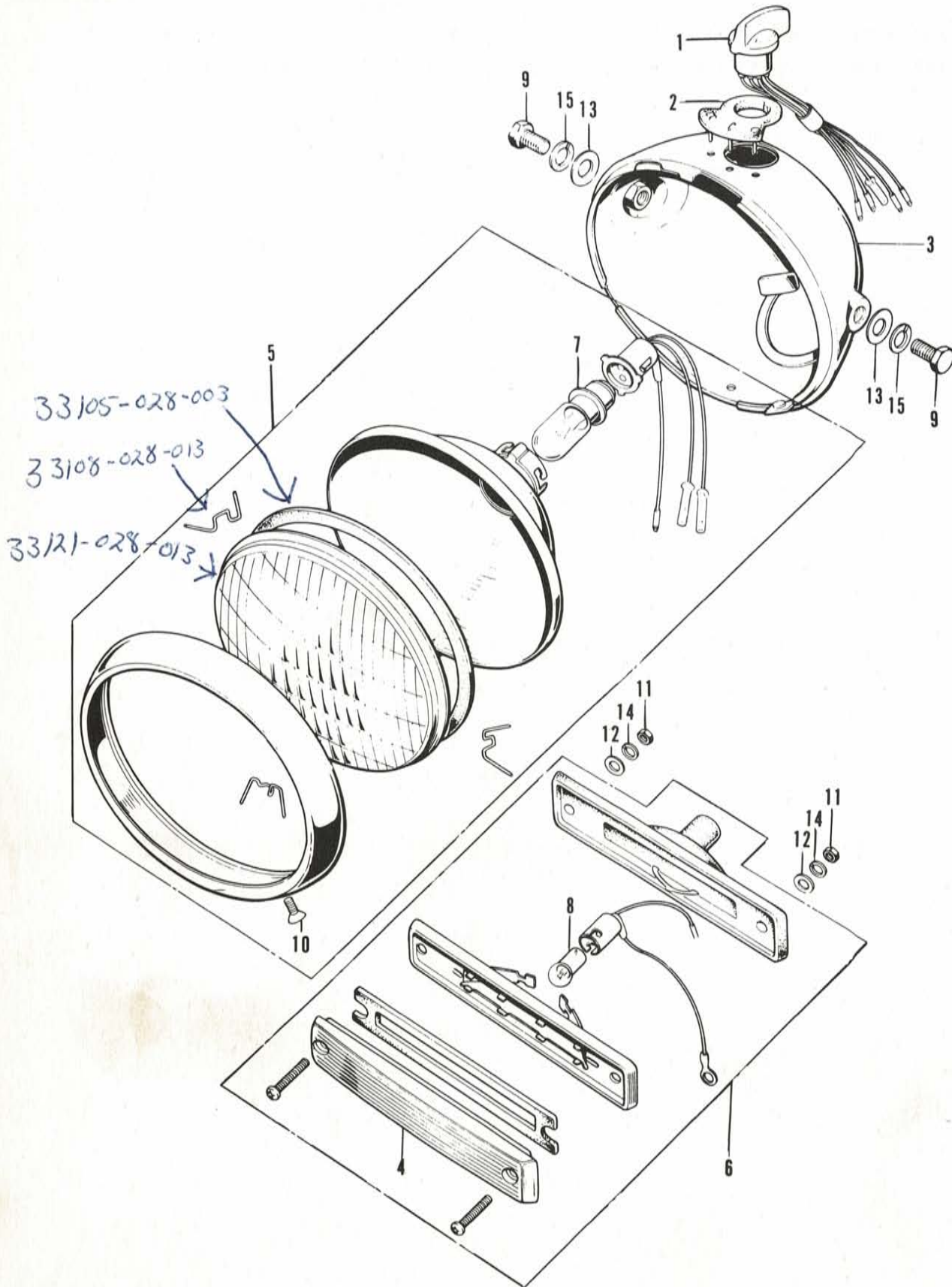
F-11 FRAME-MUFFLER



ATC 90**F-11 Frame . Muffler**

Ref. No.	H/C	Part Number	Description	ATC 90	ATC 90K1	Remarks
38	05838	94201-20350	PIN, COTFER, 2MM.....	2	2	
39	24673	32984-918-000	GROMMET, WIRE HARNESS.....	1	1	F ATC90-104204 TO
40	29060	89500-918-000	BOX TOOL.....	-	1	
41	29061	89502-918-000B	CAP TOOL BOX.....	-	1	
42	25821	94111-06800	WASHER LOCK 6MM.....	-	2	

F-12 Head Light . Tail Light



ATC 90 Light Kit

<u>Dealer Net</u>	<u>H/C</u>	<u>Part Number</u>	<u>Description</u>	<u>No. Req'd</u>	<u>List Price</u>
84-5	25353	04300-918-000	Light Kit	1	D 12.10

Component parts for ATC 90 Lighting Kit (* Headlight Case not included, order seperately).

<u>Ref. No.</u>	<u>Dealer Net</u>	<u>H/C</u>	<u>Part Number</u>	<u>Description</u>	<u>No. Req'd</u>	<u>List Price</u>
6	40-6	31595	33700-918-670	Taillight Assy.	1	B 8.12
1	9-2	24049	04302-918-000	Lighting Switch	1	A 2.30
2	4-5	24050	04303-918-000	Lighting Switch Rubber	1	A 1.13
	14-1	24055	04504-918-000XW	H/L Stay (Chrome)	2	B 2.82
5	22-1	24056	33100-061-810	H/L Assy.	1	B 4.40
9	0-8	21183	92000-08016-0B	Hex. Bolt, 8X16	4	A .21
10	0-3	19743	93700-05008-0A	Oval Screw, 5X8	1	A .08
11	0-3	20968	94001-04000-0S	Hex. Nut, 4mm	2	A .08
12	0-3	05904	94101-04000	Plain Washer, 4mm	2	A .08
13	0-3	05910	94101-08200	Plain Washer, 8mm	4	A .08
14	0-3	05895	94111-04000	Spring Washer, 4mm	2	A .08
15	0-3	05898	94111-08000	Spring Washer, 8mm	4	A .08

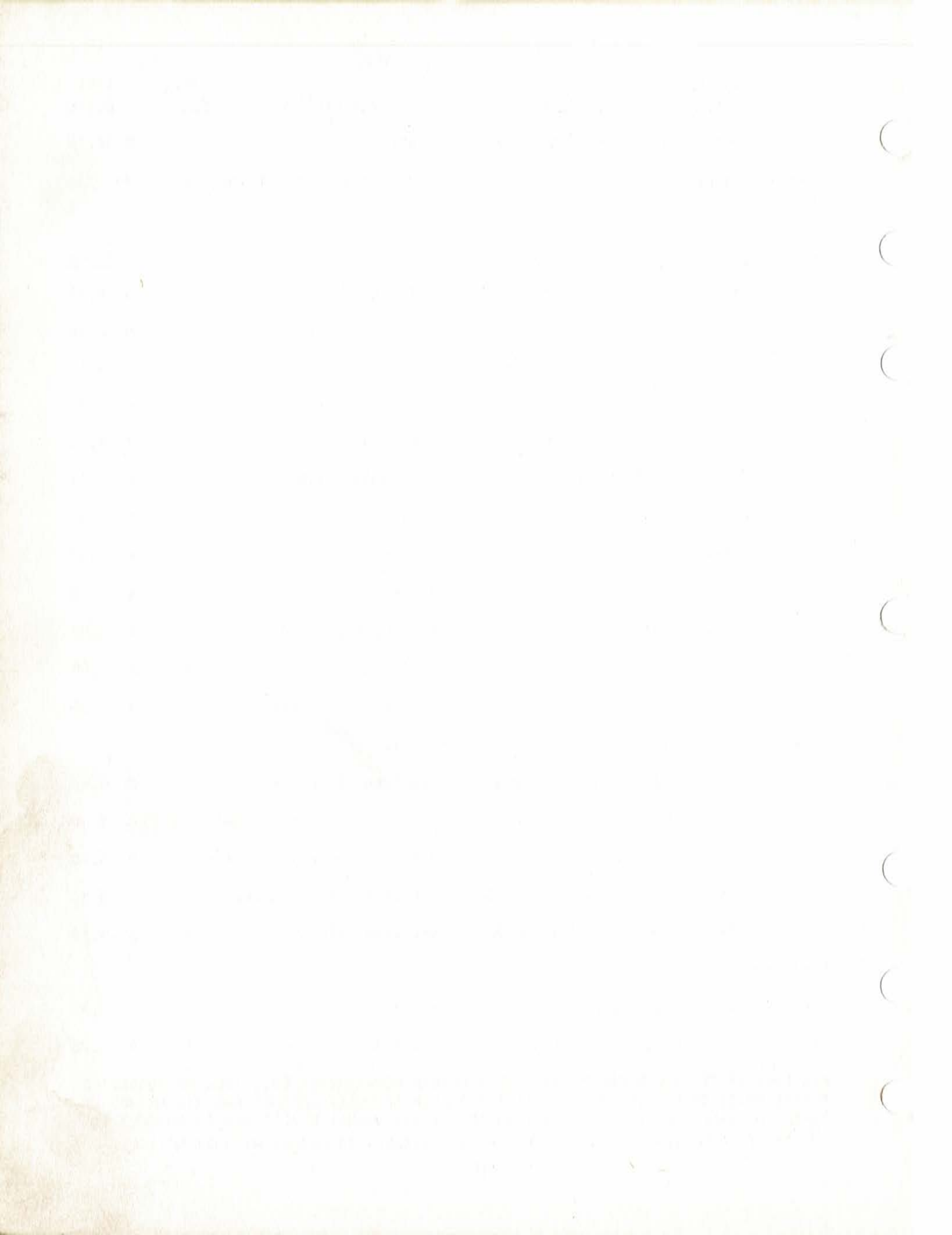
* Headlight Case not included, order seperately.

42-0	24051	04305-918-000AW	H/L Case (Bright Red)	1	B 8.40
42-0	24052	04305-918-000CC	H/L Case (Summer Yellow)	1	B 8.40
42-0	24053	04305-918-000DY	H/L Case (Aquarius Blue)	1	B 8.40
42-0	24054	04305-918-000EK	H/L Case (Parrot Green)	1	B 8.40
48-7	29049	04305-918-010B	H/L Case (Black)	1	B 9.70

Replacement parts:

7	2-3	08538	34901-001-671	H/L Bulb	1	S .45
8	1-1	04490	34902-259-000	T/L Bulb	1	A .28

ALL LIST PRICES SHOWN ARE PRINTED BY AMERICAN HONDA MOTOR CO., INC. AS SUGGESTED RETAIL PRICE ONLY. THE RETAIL PRICE A DEALER ACTUALLY CHARGES AND HIS METHOD OF COMPUTING SAME ARE AT THE DESCRETION OF THE INDIVIDUAL DEALER AND OR SUBJECT TO THE PRICE COMMISSION'S REGULATION. PRICES SUBJECT TO CHANGE WITHOUT NOTICE.

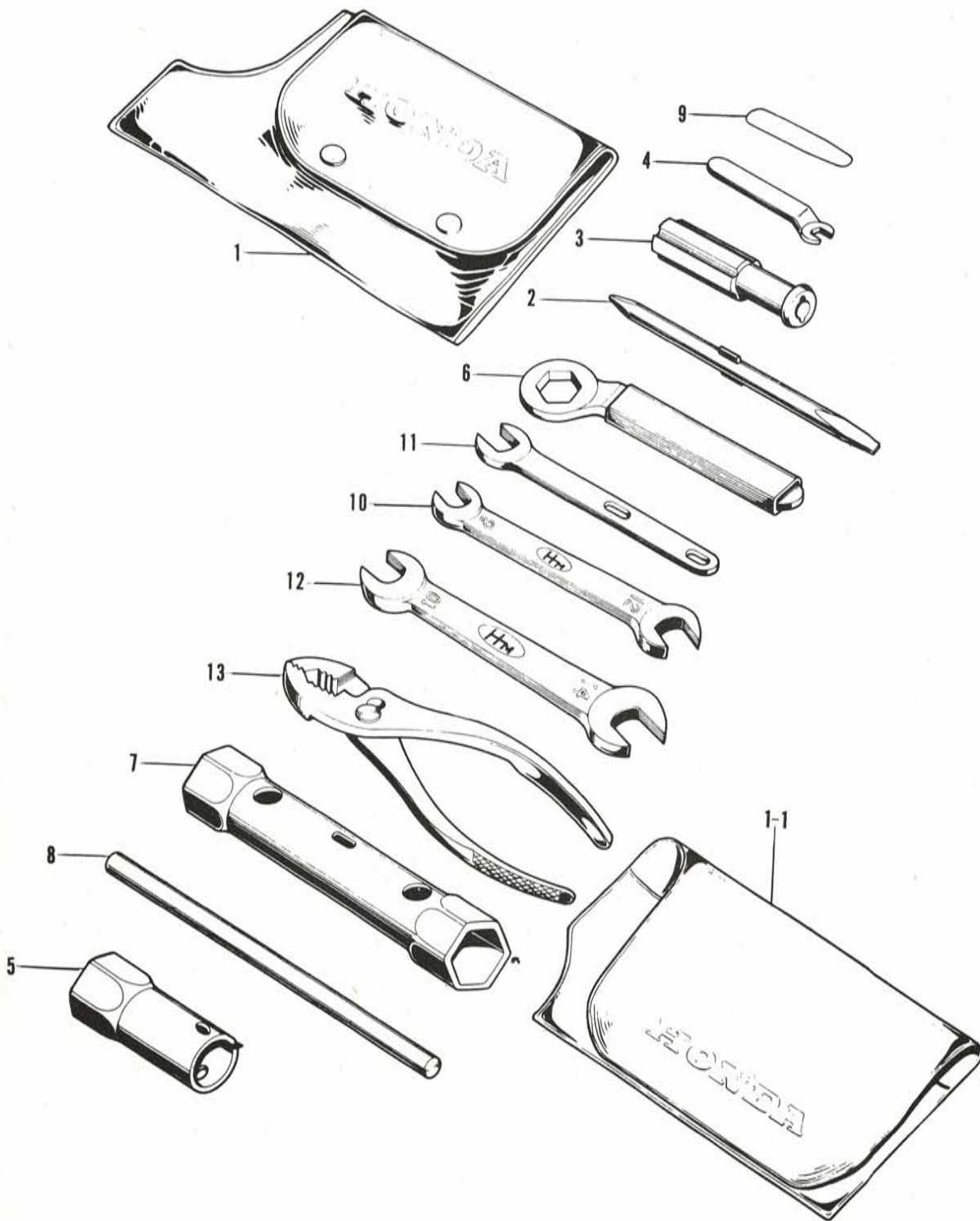


ATC 90

F-12 Head Light . Tail Light

Ref. No.	H/C	Part Number	Description	No. Req'd.	Remarks
1	24049	04302-918-000	SWITCH ASSY., LIGHTING.....	1	
2	24050	04303-918-000	RUBBER, LIGHTING SWITCH.....	1	
3	29049	04305-918-010B	CASE, HEADLIGHT (BLACK).....	1	
4	26308	04306-918-000	LENS, TAILLIGHT.....	1	
5	24056	33100-061-810	LIGHT ASSY., HEAD.....	1	
6	29971	33700-918-670	LIGHT ASSY., TAIL.....	1	
7	00758	34901-001-023	BULB, HEADLIGHT.....	1	
8	04490	34902-259-000	BULB.....	1	
9	21183	92000-08016-0B	BOLT, HEX., 8X16.....	2	
10	19743	93700-05008-0A	SCREW, OVAL, 5X8.....	1	
11	20968	94001-04000-0S	NUT, HEX., 4MM	2	
12	05904	94101-04000	WASHER, PLAIN, 4MM.....	2	
13	05910	94101-08200	WASHER, PLAIN, 8MM.....	2	
14	05895	94111-04000	WASHER, SPRING, 4MM.....	2	
15	05898	94111-08000	WASHER, SPRING, 8MM.....	2	

F-13 Tool Set



ATC 90

F-13 Tool Set

Ref. No.	H/C	Part Number	Description	ATC 90	ATC 90K1	Remarks
1	01254	89101-001-010	BAG, TOOL.....	1	-	
	29982	89101-918-000	BAG, TOOL.....	-	1	
2	23910	89102-538-000	DRIVER, SCREW.....	1	1	
3	23911	89103-538-000	GRIP.....	1	1	
4	03451	89201-200-000	SPANNER, TAPPET.....	1	1	
5	23912	89212-028-000	WRENCH, SOCKET, 17MM.....	1	1	
6	01257	89214-001-000	SPANNER, 23MM.....	1	1	
7	18412	89216-074-000	WRENCH, SPARKING PLUG.....	1	1	
8	18166	89217-028-000	HANDLE.....	1	1	
9	01260	89231-001-000	GAUGE, TAPPET CLEARANCE.....	1	1	
10	14564	99001-08120	SPANNER, 8X12.....	1	1	
11	18023	99001-09000	SPANNER, 9MM.....	1	1	
12	06924	99001-10140	SPANNER, 10X14.....	1	1	
13	06925	99002-13500	PLIERS, 135MM.....	1	1	

ATC 90

F-14 Special Tool

Ref. No.	H/C	Part Number	Description	ATC 90	ATC 90K1	Remarks
1	06061	07001-02801	CUTTER SEAT 90°.....	1	1	
2	06071	07003-02801	CUTTER SEAT.....	1	1	
3	06079	07004-02801	CUTTER SEAT.....	1	1	
4	06085	07005-02801	CUTTER SEAT.....	1	1	
5	06093	07006-02801	CUTTER SEAT.....	1	1	
6	06099	07007-02801	HOLDER CUTTER.....	1	1	
7	06063	07011-20001	PULLER DYNAMO.....	1	1	
8	06095	07022-20001	HOLDER SPROCKET.....	1	1	
9	06059	07024-01101	HOLDER CLUTCH.....	1	1	
10	11688	07024-03401	HOLDER CLUTCH.....	1	1	
11	06149	07031-20001	LIFTER VALVE.....	1	1	
12	11693	07032-03301	COMPRESSOR RING.....	1	1	
13	11694	07033-03301	BASE PISTON.....	1	1	
14	11691	07035-03301	TOOL CUSHION.....	1	1	
15	13554	07038-01102	CLUTCH TOOL.....	1	1	
16	11690	07045-03301	WRENCH SOCKET.....	1	1	
17	13099	07046-02801	VALVE DRIVER.....	1	1	
18	06086	07046-21601	DRIVER GUIDE.....	1	1	
19	08918	07047-04001	REMOVER GUIDE.....	1	1	
20	11689	07048-03001	DRIVER BEARING.....	1	1	
21	06111	07054-02801	GUIDE OIL SEAL.....	1	1	
22	24214	07054-91801	DRIVER FRONT.....	1	1	
23	24215	07054-91805	DRIVER REAR.....	1	1	
24	11692	07057-03301	GUIDE OIL SEAL.....	1	1	
25	11686	07061-02801	COVER TIMING.....	1	1	
26	06160	07071-25001	SPANNER SWITCH.....	1	1	
27	06155	07072-00101	SPANNER PIN 36MM.....	1	1	
28	06109	07081-00101	WRENCH TAPPET.....	1	1	
29	06092	07083-03001	WRENCH STEM NUT.....	1	1	
30	24216	07085-91801	STEM NUT TOOL.....	1	1	
31	08028	07086-28301	WRENCH 16MM.....	1	1	
32	06114	07087-00101	WRENCH LOCK NUT.....	1	1	

Light Kit

Ref. No.	H/C	Part Number	Description	ATC90	Remarks
		25353 04300-918-000	LIGHT KIT..... *CONSISTS OF REF. NOS. 1,2,3,5,6,9, 10,11,12,13,14,15*		
*1	29971	33700-918-670	TAILLIGHT ASSY.....	1	
*2	24049	04302-918-000	LIGHTING SWITCH.....	1	
*3	24050	04303-918-000	LIGHTING SWITCH RUBBER.....	1	
4	30153	04305-918-010AW	HEADLIGHT CASE *BRIGHT RED*.....	1	
	30152	04305-918-010CC	HEADLIGHT CASE *SUMMER YELLOW*....	1	
	30151	04305-918-010DY	HEADLIGHT CASE *AQUARIUS BLUE*....	1	
	30325	04305-918-010EK	HEADLIGHT CASE *PARROT GREEN*.....	1	
*5	24055	04504-918-000XW	HEADLIGHT STAY *CHROME*.....	2	
*6	24056	33100-061-810	HEADLIGHT ASSY.....	1	
7	08538	34901-001-671	HEADLIGHT BULB.....	1	
8	04490	34902-259-000	TAILLIGHT BULB.....	1	
*9	21183	92000-08016-0B	HEX., BOLT, 8X16.....	4	
*10	19743	93700-05008-0A	OVAL SCREW, 5X8.....	1	
*11	20968	94001-04000-0S	HEX., NUT, 4MM.....	2	
*12	05904	94101-04000	PLAIN WASHER, 4MM.....	2	
*13	05910	94101-08200	PLAIN WASHER, 8MM.....	4	
*14	05895	94111-04000	SPRING WASHER, 4MM.....	2	
*15	05898	94111-08000	SPRING WASHER, 8MM.....	4	

Optional Parts

Ref. No.	H/C	Part Number	Description	ATC90	K1	Remarks
1	25039	89301-918-672	TIRE GAUGE.....	1	1	
2	07371	08105-25900	AIR PUMP.....	1	1	
3	24057	04503-918-000XW	LUGGAGE RACK.....	1	1	

Part No. Index

H/C	Part Number	Page	H/C	Part Number	Page	H/C	Part Number	Page	H/C	Part Number	Page
24049	04302-918-000		11591	13010-028-020	20	11597	14776-028-000	7	17600	16185-045-004	28
24050	04303-918-000	49,	11592	13020-028-020	20	00189	14781 -001-010	7	17971	16188-040-004	28
75			11593	13030-028-020	20	17938	15100-053-010	27	20809	16199-077-004	28
24051	04305-918-000AW	75	11594	13040-028-020	20	18004	15111-053-020	27	23427	16211-918-000	3
24052	04305-918-000CC	75	11595	13050-028-020	20	27026	15119-028-030	27	17434	16236-045-000	11
24053	04305-918-000DY	75	15087	13101-028-070	20	13008	15121-028-060	27	20302	16953-098-004	28
24054	04305-918-000EK	75	15088	13102-028-070	20	13009	15128-028-030	27	01479	16957-028-000	28
29049	04305-918-010B	49	15089	13103-028-070	20	13010	15181-028-050	27	23428	17111-918-000	3
26308	04306-918-000	49,	15090	13104-028-070	20	13153	15331-035-000	27	08778	17119-046-000	3
75			15091	13105-028-070	20	13154	15332-035-000	27	23450	17211-918-010	44
29983	04501-918-000XW	77	12348	13111-028-000	20	07002	15421-035-010	27	23451	17231-918-010B	44
29984	04502-918-000XW	77	02326	13115-200-000	20	07245	15650-028-010	16	23452	17251-918-010	44
24057	04503-918-000XW	77	23424	14101-918-000	7	27418	15650-102-700	16	23453	17253-918-010	44
24055	04504-918-000XW	75	29058	14311-071-000	20	23425	16100-918-004	28	23454	17254-918-000	44
07371	08105-25900	77	01357	14321-028-000	15	26807	16107-098-730	28	18109	17255-046-010	44
19844	11100-052-040	27	01358	14401-028-003	15	17962	16110-077-004	28	23455	17255-918-000	44
08687	11191-052-000	27	01372	14431-028-010	7	20291	16111-098-004	28	20380	17256-041-000	44
23417	11200-918-000	27	01373	14451-028-010	7	20292	16113-001-004	28	23456	17256-918-000	44
30003	11200-918-670	27	01362	14500-028-000	15	23426	16114-918-004	28	23457	17257-918-000	44
23418	11330-918-000	16	27415	14500-096-020	15	20293	16115-001-004	28	23499	17500-918-154EL	35
27413	11335-102-700	16	12006	14541-028-020	15	20294	16116-098-004	28	23500	17500-918-154EM	35
23419	11341-918-000	11	27068	14541-086-010	15	17608	16118-045-004	28	23501	17500-918-154EN	35
24710	11341-918-010	11	27069	14542-086-000	15	25124	16118-045-770	28	23502	17500-918-154EP	35
12949	11371-053-020	8	27070	14550-086-010	15	26494	16119-076-305	28	30001	17500-918-155NF	35
08745	11393-028-020	16	12007	14552-028-020	15	02733	16122-202-004	28	29994	17500-918-155NG	35
23420	11395-918-000	11	08759	14561-028-010	15	00543	16123-011-004	28	23458	17505-918-000	35
13425	11693-053-030	8	27071	14561-086-010	15	17613	16126-011-004	28	23459	17506-918-000	35
11603	12021-028-340	7	27417	14561-096-000	15	20917	16133-102-004	28	19594	17611-303-000	35
11604	12023-028-330	7	27072	14562-086-000	15	17959	16141-077-004	28	23143	17620-114-000	35
23421	12100-918-000	4	08760	14592-028-010	15	12566	16156-044-004	28	00625	17631-001-000	35
07240	12191-028-020	4	08761	14593-028-010	15	12567	16157-044-004	28	23460	17910-918-010	36
15086	12200-028-120	4	08756	14610-028-010	15	22216	16162-107-004	28	29996	17910-918-020	52
11833	12251-028-030	4	27416	14610-096-020	15	07354	16163-217-004	28	23503	18241-918-670XW	52
01329	12261-028-000	4	06981	14615-035-000	15	20299	16164-045-014	28	23504	18242-918-670XW	52
23422	12301-918-000	3	01371	14670-028-000	15	22025	16171-040-004	28	01489	18291-028-000	52
01311	12331-028-010	3	01374	14711-028-000	7	20300	16172-098-004	28	23461	18300-918-671CT	52
18003	12332-028-030	3	13006	14721-028-602	7	04055	16173-250-004	28	23462	18311-918-671XW	52
01314	12361-028-000	3	11598	14730-028-000	7	00567	16174-001-004	28	11353	18373-310-000	52
01320	12391-028-000	3	11599	14731-028-000	7	17597	16174-045-004	28	11354	18374-310-000	52
01321	12394-028-010	3	08762	14751-028-010	7	20301	17176-046-004	28	18006	22101-046-030	19
08752	12901-028-020	4	11605	14761-028-020	7	15617	16177-551-004	28	11630	22111-028-010	19
08753	12902-028-020	4	01721	14771-030-000	7	07924	16181-202-004	28	08720	22122-028-000	19
23423	13000-071-010	20	01378	14775-028-010	7	08366	16182-011-004	28	20095	22121-046-020	19

Part No. Index

H/C	Part Number	Page	H/C	Part Number	Page	H/C	Part Number	Page	H/C	Part Number	Page
27421	22121-096-000	19	13273	23931-053-010	8	17922	30205-028-004	3	23483	40531-918-030B	51
13038	22131-028-000	19	11695	24211-028-345	23	23408	30220-918-004	3	23484	40532-918-000B	51
27422	22131-096-000	19	08731	24221-028-335	23	08689	30250-052-000	52	23485	40533-918-000	51
14184	22201-046-000	19	11696	24261-028-010	23	23409	30360-028-020	3	23486	40545-918-000	48
27423	22201-096-000	19	01426	24263-028-000	23	01313	30362-028-000	3	23487	41201-918-020	51
14121	22311-046-000	19	13999	24271-053-010	8	01315	30370-028-000	3	23488	41241-918-000	51
27424	22311-096-000	19	23403	24301-918-000	23	01323	30351-028-000	3	23489	41245-918-000	51
14122	22321-046-010	19	11946	24421-230-000	23	12347	30352-028-020	3	23490	42300-918-060	51
17019	22331-046-000	19	12110	24425-053-010	23	23464	30500-918-670	52	26269	42300-918-070	51
20381	22341-046-000	19	12111	24430-028-602	23	23517	30600-918-670	52	26268	42303-918-000	51
14185	22401-046-000	19	13404	24435-028-680	23	02506	30905-216-000	7	23511	42305-918-000	51
20382	22411-053-010	19	23429	24610-080-000	23	23410	31100-918-004	11	26271	42310-918-305	40
18520	22421-035-000	19	12390	24630-046-010	23	23411	31101-918-004	11	26272	42311-918-013	40
20383	22431-046-010	19	15703	24641-046-000	23	23412	31102-918-004	11	25341	42311-918-325	40
18005	22511-046-010	19	15704	24651-033-010	23	09048	31105-028-000	11	26270	42313-918-020	40
27425	22511-096-000	19	07069	24652-035-000	23	29972	32100-918-673	52	23493	42314-918-000	51
01772	22531-033-010	19	23463	24700-918-010XW	23	06915	32901-028-000	3	23494	42315-918-000B	51
01782	22535-033-000	19	12976	24801-053-000	8	08737	32906-028-000	3	25839	42315-918-308	51
01783	22536-033-000	19	12977	24811-053-000	8	24673	32984-918-000	52-2	23495	42316-918-000	51
13026	22811-046-010	16	13998	24821-053-030	8	24056	33100-061-810	56	26273	42320-918-000	40
23505	22820-918-000	16	12979	24831-053-010	8	29971	33700-918-670	56	26267	42322-918-010	40
08783	22825-046-000	16	23430	25551-918-000	16	23506	34601-568-600	36	23513	42325-918-000	40
08784	22830-046-000	16	13035	25555-046-000	16	08538	34901-001-671	56	26506	42326-918-301	40
17924	22846-046-010	16	23431	28400-918-000AU	11	04490	34902-259-000	56	26505	42327-918-301	40
14153	22860-041-000	16	24696	28401-918-000	11	23507	35300-918-000	36	23496	42400-918-050	40
11764	22901-028-000	19	24697	28402-918-000	11	29997	35300-918-010	36	23497	42601-918-070	51
27427	22901-102-700	19	24698	28403-918-000	11	23508	35761-918-010	11	23498	42621-918-010	51
08787	22911-046-000	19	24699	28404-918-000	11	23509	35762-918-020	11	23376	42622-918-040B	51
20915	23110-046-000	19	24700	28405-918-000	11	24711	35763-918-000	11	23377	42710-918-007	40
20096	23111-046-020	19	24701	28406-918-000	11	24712	35764-918-000	11	28721	42712-918-000	40
27428	23111-096-000	19	24702	28407-918-000	11	24713	35765-918-000	11	25305	42713-918-303	40
14192	23211-028-070	24	24703	28408-918-000	11	23519	40500-918-000	48	23378	42714-918-000	40
12969	23220-053-020	24	30002	28408-918-010	11	23520	40511-918-040	48	23379	43141-918-000	51
08540	23421-028-000	24	24704	28409-918-000	12	23521	40512-918-040	47	23380	43410-918-000	47
17646	23431-052-040	24	24705	28410-918-000AU	12	23522	40521-918-310B	48	23381	43460-918-010	36
17647	23441-052-020	24	29059	28410-918-010AU	12	23908	40521-918-320B	48	23382	43470-918-000	47
13188	23451-052-010	24	23432	28411-918-300	11	23523	40523-918-030B	48	01177	43472-001-000	47
08696	23461-052-000	24	24706	28412-918-000	12	24032	40523-918-040B	48	23383	43472-918-000	47
08697	23471-052-000	24	24707	28413-918-000	12	23524	40524-918-300	48	23384	43473-918-000	36
12970	23800-053-000	8	24708	28414-918-000	12	23481	40525-918-300	48	23385	44301-918-020	39
12971	23900-053-000	8	23433	28430-918-000	11	23510	40528-918-000B	48	23386	44302-918-000	39
13272	23910-053-010	8	21543	30200-107-014	3	23482	40530-918-006	48	23387	44311-918-000	39
12973	23921-053-010	8	21619	30202-107-004	3	21586	40531-028-003	48	23388	44601-918-030	39

Part No. Index

H/C	Part Number	Page	H/C	Part Number	Page	H/C	Part Number	Page	H/C	Part Number	Page
23389	44620-918-010	39	23467	53142-918-000	36	23414	87101-918-300	11	23435	90307-918-030	51
23390	44710-918-007	39	26289	53145-918-308	36	23399	87123-918-000	35	00489	90405-001-000	27
13790	45120-230-000	51	23469	53146-918-000	36	29995	87123-918-010	35	22429	90407-259-000	27
25013	45133-303-000	51	23470	53147-918-000	36	23400	87124-918-000	35	23407	90417-918-000	23
04839	45134-250-000	51	23471	53148-918-000	36	26342	87130-918-305	32	08276	90427-259-000	11
01019	45461-001-000	47	26306	53152-918-000	36	26343	87131-918-305	32	13271	90431-028-010	19
11883	45462-028-000	47	29048	53166-918-000	36	29999	87131-918-670	32	01448	90441-028-010	3
04852	45465-270-000	36	23472	53172-918-000	36	26281	87505-918-010	35	07095	90441-035-000	15
23391	46500-918-010XW	47	17833	53180-286-000	36	24429	87506-918-000	32	17337	90442-028-000	3
23392	46514-918-000	47	23404	53180-918-010	36	30000	87506-918-010	32	00467	90451-001-000	24
23514	50100-918-031B	52	23405	53190-918-010	36	26344	87506-918-305	32	13001	90456-053-000	8
29086	50100-918-040B	52	23473	53211-028-000	43	26934	87560-323-670A	35	08735	90461-028-000	24
23439	50221-918-000	52	00907	53214-001-010	43	26935	87560-323-670B	35	07093	90481-035-000	15
23440	50222-918-000	52	23474	53215-918-000	43	23909	88221-538-000	52	01447	90482-028-000	3
17206	50301-041-305	52	01995	53217-030-305	43	01254	89101-001-010	55	06914	90483-028-000	3
23441	50610-918-030B	47	23393	53222-918-000	43	29982	89101-918-000	55	08579	90483-040-000	19
26304	50610-918-040B	47	23475	53229-098-310	43	23910	89102-538-000	55	27426	90485-102-700	16
24674	50630-918-040	47	29993	53230-918-000AU	43	23911	8103-538-000	55	17923	90486-028-000	3
26302	50630-918-050	47	23394	53230-918-000AW	43	03451	89201-200-000	55	01232	90503-011-000	43
24675	50630-918-305	47	23395	53230-918-000CC	43	23912	81212-028-000	55	08169	90521-259-000	48
23442	50635-918-000	47	23396	53230-918-000DY	43	01257	89214-001-000	55	03425	90526-216-000	51
24676	50640-918-040	47	23397	53230-918-000EK	43	21428	89216-107-000	55	14886	90528-230-000	47
26303	50640-918-050	47	24373	61100-918-030AW	43	18166	89217-028-000	55	14976	90554-240-000	44
23443	50651-918-300XW	47	24374	61100-918-030CC	43	01260	89231-001-000	55	01818	90601-030-000	24
23444	50671-918-000	47	24375	61100-918-030DY	43	25039	89301-918-672		13002	90601-053-010	8
23445	50672-918-000	47	29077	61100-918-030EC	43	29060	89500-918-000	52-2	12852	90603-046-000	19
23446	50673-918-000	47	24376	61100-918-030EK	43	29061	89502-918-000	52-2	13876	90605-230-000	11
23447	50674-918-000	47	29085	61100-918-030NE	43	02397	90012-200-000	7	07089	90741-035-000	20
23448	50809-918-000	52	23476	61100-918-030Z	43	11585	90015-028-000	27	23416	91001-071-000	
24369	51400-918-030AW	43	24060	71979-538-940	48	27077	90081-086-000	15	18515	91201-035-010	11
24370	51400-918-030CC	43	23477	77200-918-020A	32	05130	90114-268-020	36	13003	91201-053-000	24
24372	51400-918-030DY	43	30004	77200-918-030A	32	17012	90117-065-000	36	23914	91201-071-000	11
24371	51400-918-030EK	43	23478	77201-918-000	32	14116	90023-041-000	23	23436	91201-918-025	39
23449	51400-918-030Z	43	24119	80100-918-020AW	32	11971	90026-259-000	11	13004	91202-053-000	8
29990	51400-918-040EC	43	24120	80100-918-020CC	32	01443	90031-028-010	27	23437	91203-918-015	51
29991	51400-918-040NE	43	24121	80100-918-020DY	32	07241	90032-028-020	27	23915	91204-071-003	27
29992	51400-918-040Z	43	30005	80100-918-020EC	32	07083	90081-035-000	15	13005	91301-053-000	8
23465	53100-918-020XW	36	24122	80100-918-020EK	32	26300	90173-918-000	47	02202	91301-216-000	8
20930	53130-102-000	43	29998	80100-918-020NE	32	26307	90196-918-000	52	02268	91302-200-000	3
20932	51332-102-000	36	23479	80100-918-020Z	32	00459	90206-001-000	7	00320	91303-001-000	16
20931	53133-102-000	43	24624	80105-918-000	32	12112	90231-028-000	19	11820	91306-028-000	7
23466	53141-918-000XW	36	23398	80106-918-010	32	01223	90304-011-000	43	12807	91311-044-000	16
29047	53141-918-020XW	36	23480	81200-918-010XW	52	23913	90304-538-000	32	20921	99114-077-0620	31

Part No. Index

H/C	Part Number	Page	H/C	Part Number	Page	H/C	Part Number	Page	H/C	Part Number	Page
20922	99114-077-0650	31	05740	93500-06010	15	05897	94111-06000	11,			
17973	99114-077-0750	31	05742	93500-06012	3	23, 43, 47, 48, 51, 52					
17974	99114-077-780	31	05745	93500-06016	27	25821	94111-06800	52-2			
26301	92000-050080B	52	05749	93500-06020	3,	25352	94111-08000	39,			
05417	92000-06010	15	16			40, 47, 48, 52					
05419	92000-06012	43,	05753	93500-06025	11,	05900	94111-10000	43,			
			27			47, 52					
05421	92000-06014	3,	05755	93500-06030	8	05902	94111-12000	39			
51			05756	93500-06032	11,	10963	94111-14000	43			
05423	92000-06016	11,	16			05838	94201-20350	47,			
48			05761	93500-06040	8,	52					
24430	92000-060164J	11	11, 27			05845	94201-30450	39,			
05429	92000-06022	23,	14536	93600-050120A	19	40, 43					
36			21625	93700-030060B	35	06933	94301-10140	4,			
05438	92000-06035	47,	19743	93700-050080A	56	8, 11, 27					
48			18024	93700-050220B	3	05820	94301-10160	16			
05441	92000-06040	47	23886	93700-050450B	36	08098	94301-10200	4			
05444	92000-06045	47,	05645	93700-06012	23	15699	94510-10000	36			
48			20968	94001-040000S	56	05362	94510-20000	8,			
05447	92000-06050	48	15688	94001-050000S	52	19					
24062	92000-06120	51	15606	94001-060000S	3,	26319	95001-35300-40	31			
14543	92000-080160A	48	32, 36, 44, 47, 48, 51, 52			29057	95001-5515040	35			
21183	92000-080160B	48	16733	94001-080000S	3,	25063	95002-02070	31			
19747	92000-080180A	52	16, 48, 52			25098	95002-02100	31			
17172	92000-080200A	47	14539	94001-100000S	47,	25560	95011-14200	36			
15935	92000-080250A	39,	51, 52			25569	95011-40000	23			
40			15607	94002-080000S	23	26889	95014-21100	36			
23916	92000-080560A		23401	94011-120000S	39	05315	96100-60000	19			
25683	92000-080650A		23402	94011-140000S	40	10400	96100-60030	39			
23917	92000-081200A	48	20934	94012-140000S	43	10403	96100-60070	51			
26291	92000-100220A	43	16952	94021-080200S	3	05323	96100-62020	8			
17364	92000-101200A	52	05904	94101-04000	56	05892	96211-06000	43			
24431	92100-080630A	52	05905	94101-05000	32,	07990	96211-08000	8			
05861	92700-06031	4	52			12115	98066-58714	3			
05869	92700-06040	3	05907	94101-06000	11,	14564	99001-08120	55			
05397	92800-12000	27	36, 43, 44, 47, 48, 51, 52			18023	99001-09000	55			
16665	93500-030060A	28	05909	94101-08000	16,	06924	99001-10140	55			
16946	93500-040120A	28	47, 48, 52			06925	99002-13500	55			
14554	93500-050080A	19	05910	94101-08200	56	20812	99145-03504	31			
15697	93500-050100A	3	05911	94101-10000	43,	20813	99145-03804	31			
17356	93500-050120A	27	52								
14555	93500-050160A	44,	05895	94111-04000	28						
52			05896	94111-05000	27, 52						