

HONDA

PARTS CATALOG

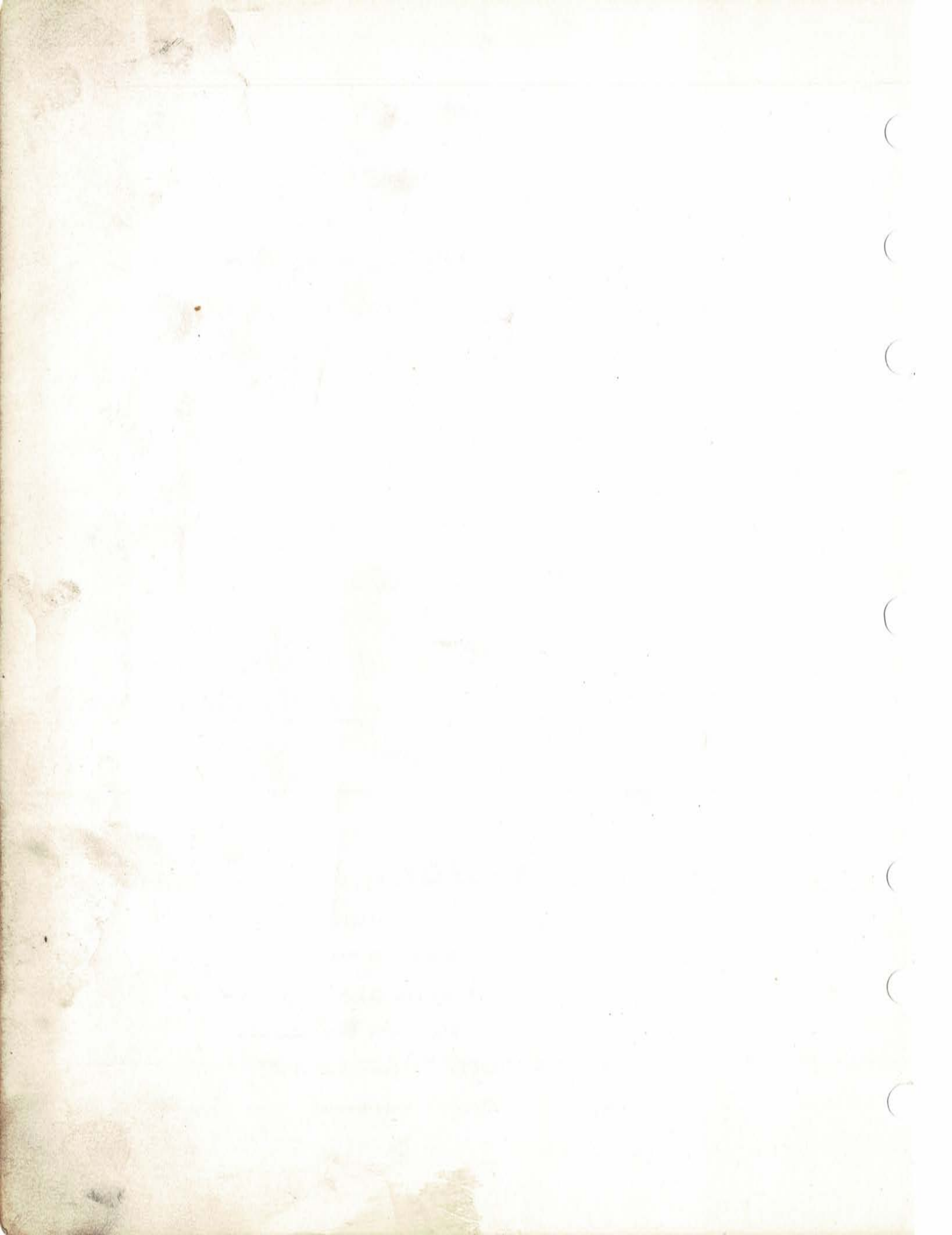
ATC 70~K1

HC 37742

**AMERICAN HONDA MOTOR CO., INC.
100 WEST ALONDRA BOULEVARD, GARDENA, CALIFORNIA**

2nd EDITION

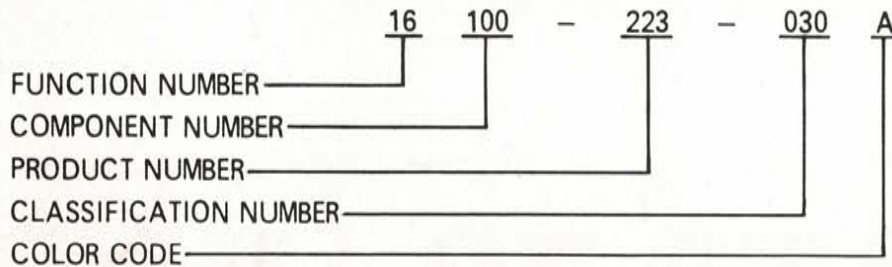
© JANUARY, 1974



INSTRUCTION FOR USE OF PARTS CATALOG

PART NUMBERS

The following diagram defines the figures used in the new HONDA PART NUMBER SYSTEM.



When placing a parts order with AMERICAN HONDA, be sure to use the HONDA CODE (H/C) in conjunction with the PART NUMBER.

The HONDA CODE for each item shown will be listed directly to the left of the PART NUMBER. Those part numbers without HONDA CODE are not available.

ISO THREADED PARTS

Nominal Dia. (Size of Bolt or Nut)	Width Across Flats (Wrench Size)	
	Present J.I.S.	Modified J.I.S. (I.S.O.)
3 mm	6 mm	5.5 mm
4 mm	8 mm	7 mm
5 mm	9 mm	8 mm
6 mm	10 mm	10 mm
8 mm	14 mm	12 mm
10 mm	17 mm	14 mm
12 mm	19 mm	17 mm
14 mm	21 mm	19 mm
16 mm	23 mm	22 mm
18 mm	26 mm	24 mm
20 mm	29 mm	27 mm

New wrenches in the 5.5 mm, 7 mm, 12 mm, 22 mm, 24 mm and 27 mm sizes will be required for the modified bolts and nuts. All other sizes are currently in use.

This change in hex size affects only the wrench sizes; interchangeability of bolts and nuts is not affected.

Change in Thread Pitch – The standard thread pitches for all bolts, nuts, and screws in the 3 mm, 4 mm, 5 mm and 12 mm sizes are changed as indicated below:

<u>Nominal Dia.</u>	<u>Thread Pitch</u>	
	<u>Present J.I.S.</u>	<u>Modified J.I.S. (I.S.O.)</u>
3 mm	0.6	0.5
4 mm	0.75	0.7
5 mm	0.9	0.8
12 mm	1.5	1.25

These changes will affect the interchangeability of threaded parts in these sizes. Care must be taken to use the correct pitch to avoid stripping.

These changes will also require new taps and dies.

To help avoid confusion in the 3 mm, 4 mm, 5 mm and 12 mm size, wherein the thread pitch has been changed, the modified J.I.S. (I.S.O.) threaded parts used by Honda will be marked such that they can be readily identified. The marks used are as follows:

<u>PART TYPE</u>	<u>DESCRIPTION OF MARKING</u>
STD. HEX BOLT	A number, indicating the strength of the bolt, will be embossed on the top of the bolt head. This mark will appear on modified J.I.S. (I.S.O.) bolts of all sizes, but as explained above all sizes except 4 mm, 5 mm, and 12 mm (there are no 3 mm hex bolts) will interchange with the present J.I.S. parts.
SLOTTED HEX BOLT	There will be a hemispherical embossment (bump) on the top of the bolt head in the 4 mm and 5 mm sizes (3 mm and 12 mm slotted hex bolts are not in use).
CAP BOLT	There will be a hemispherical dimple on the side of the bolt head in the 4 mm, 5 mm and 12 mm sizes (3 mm not in use).
STUD BOLT	There will be a hemispherical dimple or embossment on the nut end in the 5 mm and 12 mm sizes (3 mm and 4 mm studs are not in use).
ALL CROSS RECESS SCREWS	There will be a hemispherical embossment on the top of the screw head in the 3 mm, 4 mm and 5 mm sizes (12 mm not used).

ALL NUTS

There will be a hemispherical dimple on **either the top or side** of the nut in all sizes with changed pitch. This will also apply to nuts that are permanently welded to other parts.

All mechanics and parts department personnel should read and understand this change-over, to avoid confusion and damage to threaded parts.

ENGINE AND FRAME SERIAL NUMBERS

The engine and frame numbers should be checked prior to ordering parts for a specific motorcycle. HONDA engine numbers are located on the left portion of the engine and frame numbers on the left side of the frame body.

Parts list serial numbers are coded (E) for ENGINE and (F) for FRAME to assist you in identification.

Modified parts will show ENGINE or FRAME serial number in the remark column. These numbers will designate the start (FROM) and finish (TO) production run for that item listed to its left.

Newly introduced items will be listed from initial part installation serial numbers.

ILLUSTRATIONS

To aid identification of PARTS, (exploded) illustrations are incorporated in this catalogue. Available items in the illustrations are identified by NUMBERS which correspond with the PARTS descriptions on the PARTS list.

A separate PARTS list is provided for each illustration. Reference numbers on the PARTS list duplicate identification numbers on the illustration for assistance in choosing the correct PART. Addition to the numerical reference numbers, we have used numeral-alphabet reference numbers for the convenience of adding new PARTS to the PARTS list.

Find the illustration of PART you require and check the accompanying PARTS list for its HONDA CODE, NEW PART NUMBER, DESCRIPTION, etc.

PARTS RETURN

PARTS may not be returned to AMERICAN HONDA without prior written authorization. Written authorization may be obtained by writing to AMERICAN HONDA MOTOR CO., INC., 100 West Alondra Blvd., Gardena, California 90247. We will correct any error which we were of primary fault. This would cover damaged

PARTS, (not caused in mishandling by the delivery source), wrong parts, incorrect quantities, etc. Advise us of discrepancies within five (5) days of receipt. AMERICAN HONDA is not responsible for PARTS – returned to us without written authorization.

ADDITIONAL INFORMATION

1. Dimensions of the PARTS in this catalogue are indicated in millimeter units.
2. L or R in the description of a PART stands for the LEFT hand side or the RIGHT hand side, which is decided by the direction of travel of the vehicle.
3. Many standard items, SPARK PLUGS, BOLTS, NUTS, WASHERS, PINS, which are in constant use are sold in multiples of ten and consideration when placing your order is advised.

4. ABBREVIATIONS

ASSY. – Assembly
COMP. – Complete

REF. – Reference
HEX. – Hexagonal

ADJ. – Adjusting
STD. – Standard



ATC70

FRAME NO.: ATC70-1000001 TO SUBSEQUENT

* * * * ADDITIONAL INFORMATION * * * *

<u>H/C</u>	<u>PART NUMBER/DESCRIPTION</u>
37742	ATC70 Parts Catalog
32412	ATC70 Owners Manual
32413	ATC70 Shop Manual



ATC70K1

FRAME NO.: 1100001 TO SUBSEQUENT

***** ADDITIONAL INFORMATION *****

<u>H/C</u>	<u>PART NUMBER/DESCRIPTION</u>
37742	ATC70/K1 Parts Catalog
37412	ATC70 Owners Manual
32413	ATC70 Shop Manual

Contents

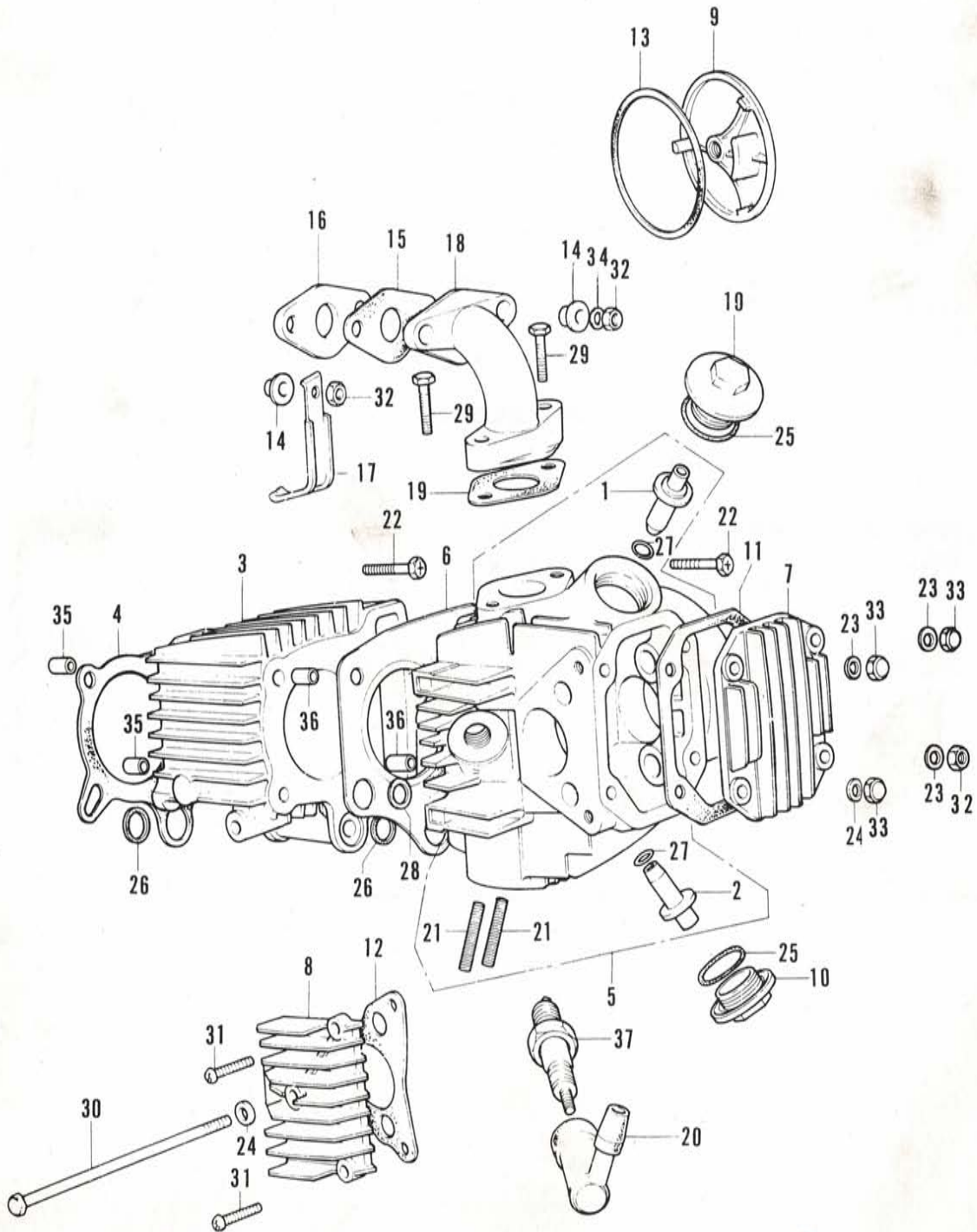
ENGINE GROUP

CYLINDER CYLINDER HEAD COVER INLET PIPE.....	3
CAMSHAFT CHAIN TENSIONER CRANKSHAFT.....	5
RIGHT CRANKCASE COVER CLUTCH.....	9
LEFT CRANKCASE COVER GENERATOR RECOIL STARTER.....	13
GEARSHIFT TRANSMISSION.....	17
CRANKCASE OIL PUMP.....	21
CARBURETOR.....	23

FRAME GROUP

STEERING HANDLE THROTTLE LEVER.....	25
FRONT FORK FRONT FENDER.....	27
FRONT & REAR WHEELS.....	29
FUEL TANK SEAT AIR CLEANER.....	33
EXHAUST MUFFLER STEP BAR.....	35
EXHAUST MUFFLER STEP BAR K1.....	37
FRAME BODY REAR FENDER IGNITION COIL.....	39
FRAME BODY REAR FENDER IGNITION COIL K1.....	41
HEADLIGHT TAILLIGHT.....	43

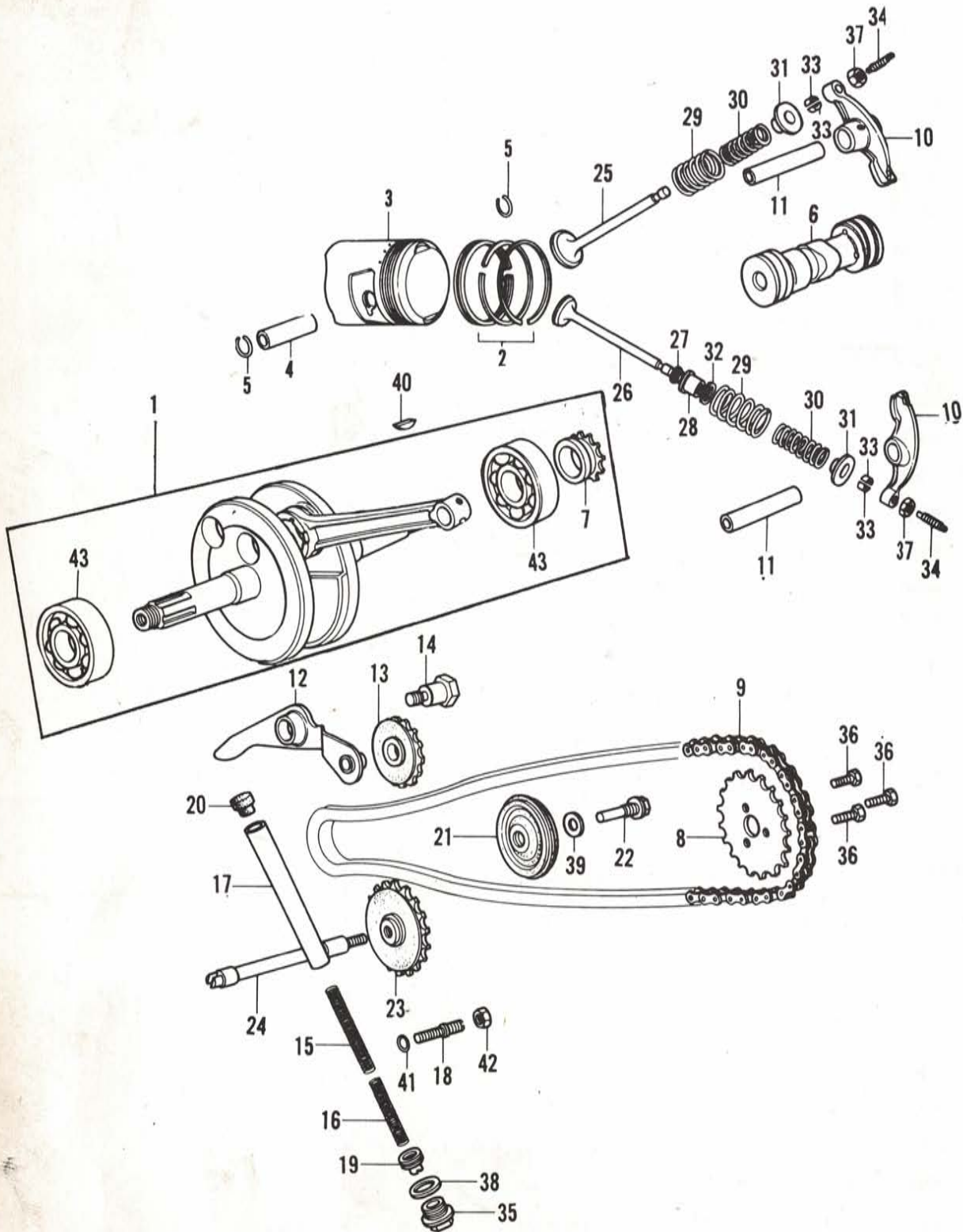
Cylinder · Cylinder Head Cover · Inlet Pipe



Cylinder . Cylinder Head

Ref. No.	H/C	Part Number	Description	ATC70	ATC70K1	Remarks
1	11799	12021-035-811	GUIDE, INLET VALVE.....	1	1	
2	33529	12023-051-320	GUIDE, EXHAUST VALVE.....	1	1	
3	25034	12101-098-670	CYLINDER COMP.....	1	1	
4	18502	12191-035-020	GASKET, CYLINDER.....	1	1	
5	33601	12200-087-010	HEAD, CYLINDER.....	1	1	
	35633	12200-087-305	HEAD, CYLINDER.....	1	1	
6	18504	12251-087-000	GASKET, CYLINDER HEAD.....	1	1	
	28837	12251-111-730	GASKET, HEAD.....	1	1	
7	06959	12301-035-000	COVER, CYLINDER HEAD.....	1	1	
8	06960	12331-035-000	COVER, RIGHT CYLINDER HEAD SIDE.....	1	1	
9	06961	12341-035-000	COVER, LEFT CYLINDER HEAD SIDE.....	1	1	
10	18887	12361-300-000	CAP, TAPPET ADJUSTING HOLE.....	2	2	
11	06966	12391-035-000	GASKET, CYLINDER HEAD COVER.....	1	1	
12	06967	12394-035-000	GASKET, RIGHT CYLINDER HEAD SIDE COVER	1	1	
13	06968	12395-035-000	GASKET, LEFT CYLINDER HEAD SIDE COVER	1	1	
14	22029	16196-040-004	RING, INSULATOR.....	2	2	
15	11471	16201-098-000	GASKET, INSULATOR.....	1	1	
16	11472	16211-098-000	INSULATOR, CARBURETOR.....	1	1	
17	31833	16236-128-000	CLAMPER, FUEL TUBE.....	1	1	
18	32346	17111-937-000	PIPE, INLET.....	1	1	
19	06969	17119-035-000	GASKET, INLET PIPE.....	1	1	
20	10039	30700-259-810	CAP ASSY., NOISE SUPPRESSOR.....	1	1	
21	17498	90033-041-000	BOLT, STUD, 6X32.....	2	2	
22	07084	90082-035-000	BOLT, HS, 6MM.....	2	2	
23	07096	90442-035-000	WASHER, SEALING, 6MM.....	3	3	
24		90443-035-000	N/A, USE 90443-230-000.....	-	-	
	13875	90443-230-000	WASHER, 7MM, SEALING.....	2	2	
25	00106	91302-001-020	O RING, 30.8MM.....	2	2	
26	06971	91303-035-000	PACKING, RUBBER, 16MM.....	2	2	
27	11820	91306-028-000	O RING, 9.5X1.6.....	2	2	
28	11802	91306-035-000	GASKET, RUBBER, 7.5MM.....	1	1	
29	05432	92000-06025	BOLT, HEX., 6X25.....	2	2	
30	19770	92000-06112	BOLT, HEX., 6X112.....	1	1	
31	05749	93500-06020	SCREW, PAN, 6X20.....	2	2	
32	15606	94001-06000-0S	NUT, HEX., 6MM.....	3	3	
33	05788	94021-06000	NUT, CAP, 6MM.....	3	3	
34	05907	94101-06000	WASHER, PLAIN, 6MM.....	1	1	
35	06932	94301-08120	PIN A, DOWEL, 8X12A.....	2	2	
36	06931	94301-08140	PIN A, DOWEL, 8X14.....	2	2	
37	06935	98056-57711	PLUG, SPARK, C-7HS.....	1	1	
	25100	98056-57722	PLUG, SPARK, U22FS.....	1	1	

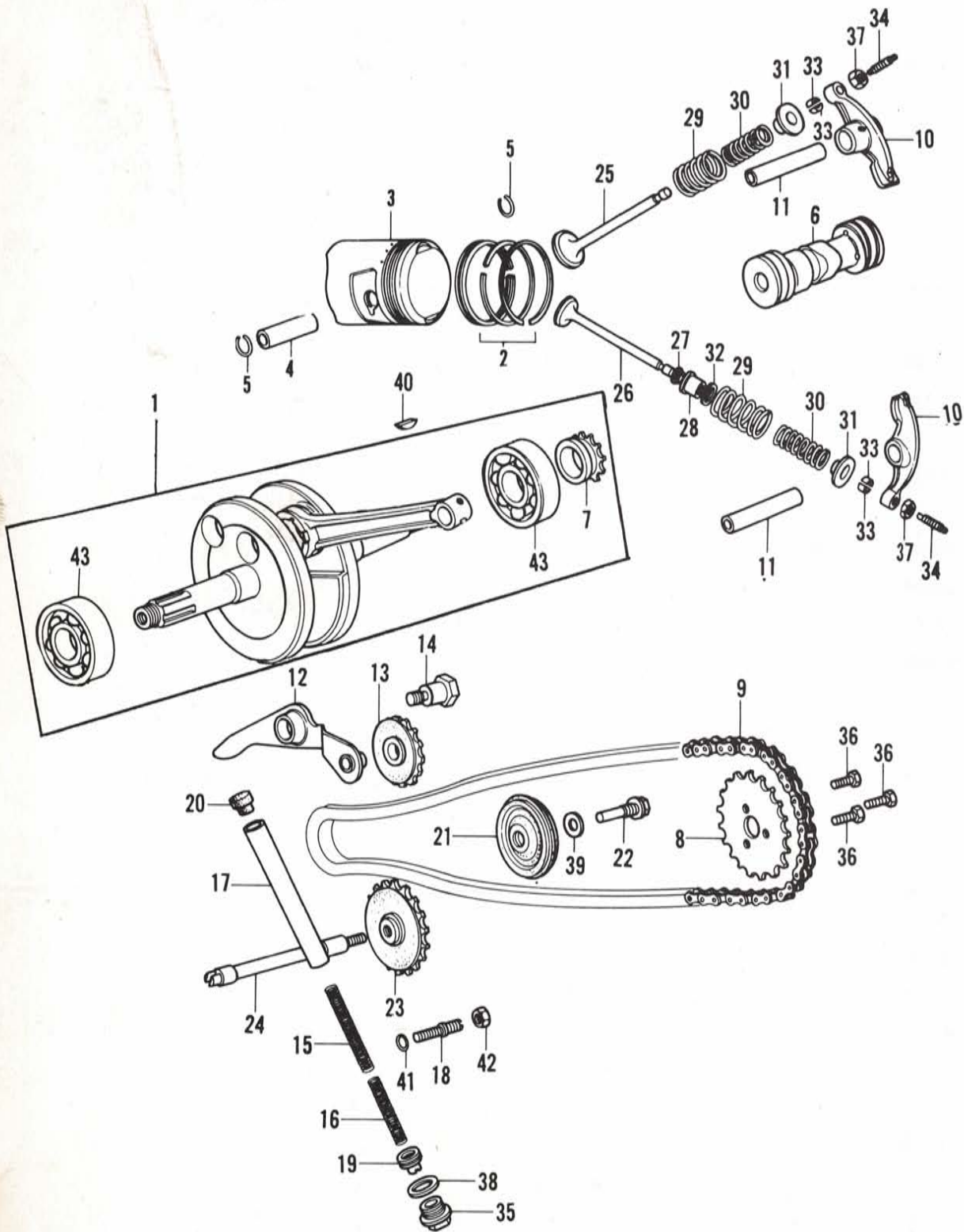
Camshaft • Chain Tensioner • Crankshaft



Camshaft . Cam Chain Tensioner . Crankshaft

Ref. No.	H/C	Part Number	Description	ATC70	ATC70K1	Remarks
1	33005	13000-098-760	CRANKSHAFT.....	1	1	
2	18532	13010-087-003	RING SET, PISTON *STD*.....	1	1	
	18533	13020-087-003	RING SET, PISTON *0.25*.....	1	1	
	18534	13030-087-003	RING SET, PISTON *0.50*.....	1	1	
	18535	13040-087-003	RING SET, PISTON *0.75*.....	1	1	
	18536	13050-087-003	RING SET, PISTON *1.00*.....	1	1	
3	32344	13101-937-000	PISTON, *STD*.....	1	1	
	33006	13102-937-000	PISTON, *0.25*.....	1	1	
	33007	13103-937-000	PISTON, *0.50*.....	1	1	
	33008	13104-937-000	PISTON, *0.75*.....	1	1	
	33009	13105-937-000	PISTON, *1.00*.....	1	1	
4	18542	13111-087-000	PIN, PISTON.....	1	1	
5	00147	13115-001-000	CLIP, PISTON PIN.....	2	2	
6	22007	14101-040-020	CAMSHAFT.....	1	1	
7	06976	14311-035-000	SPROCKET, TIMING.....	1	1	
8	14208	14321-035-010	SPROCKET, CAM.....	1	1	
9	06979	14401-035-000	CHAIN, CAM *82L*.....	1	1	
	27694	14401-035-005	CHAIN, CAM *82L TAKASAGO*.....	1	1	
10	06989	14431-035-000	ARM, VALVE ROCKER.....	2	2	
11	06990	14451-035-000	SHAFT, VALVE ROCKER ARM.....	1	1	
12	17423	14500-035-010	ARM, TENSIONER.....	1	1	
13	27067	14502-086-000	ROLLER, CAM CHAIN TENSIONER.....	1	1	
14	06985	14531-035-000	PIVOT, CAM CHAIN TENSIONER.....	1	1	
15	27068	14541-086-010	SPRING A, TENSIONER.....	1	1	
16	27069	14542-086-000	SPRING B, TENSIONER.....	1	1	
17	27070	14550-086-010	ROD COMP., TENSIONER PUSH.....	1	1	
18	27071	14561-086-010	BOLT, TENSIONER ADJUSTING.....	1	1	
19	27072	14562-086-000	BOLT B, TENSIONER ADJUSTING.....	1	1	
20	27073	14566-086-030	HEAD, TENSIONER PUSH ROD.....	1	1	
21	27088	14610-086-000	ROLLER COMP., CAM CHAIN GUIDE.....	1	1	
22	06981	14615-035-000	PIN, GUIDE ROLLER.....	1	1	
23	11672	14670-035-030	SPROCKET, CAM CHAIN GUIDE.....	1	1	
24	17427	14675-035-060	SPINDLE, CAM CHAIN GUIDE SPROCKET....	1	1	
25	18510	14711-087-000	VALVE, INLET..... [SUPERSEDED USE 14711-089-000]	1	1	
	11358	14711-089-000	VALVE, INLET.....	1	1	
26	33588	14721-087-010	VALVE, EXHAUST.....	1	1	
27	24109	14730-028-013	SEAL, VALVE STEM.....	1	1	

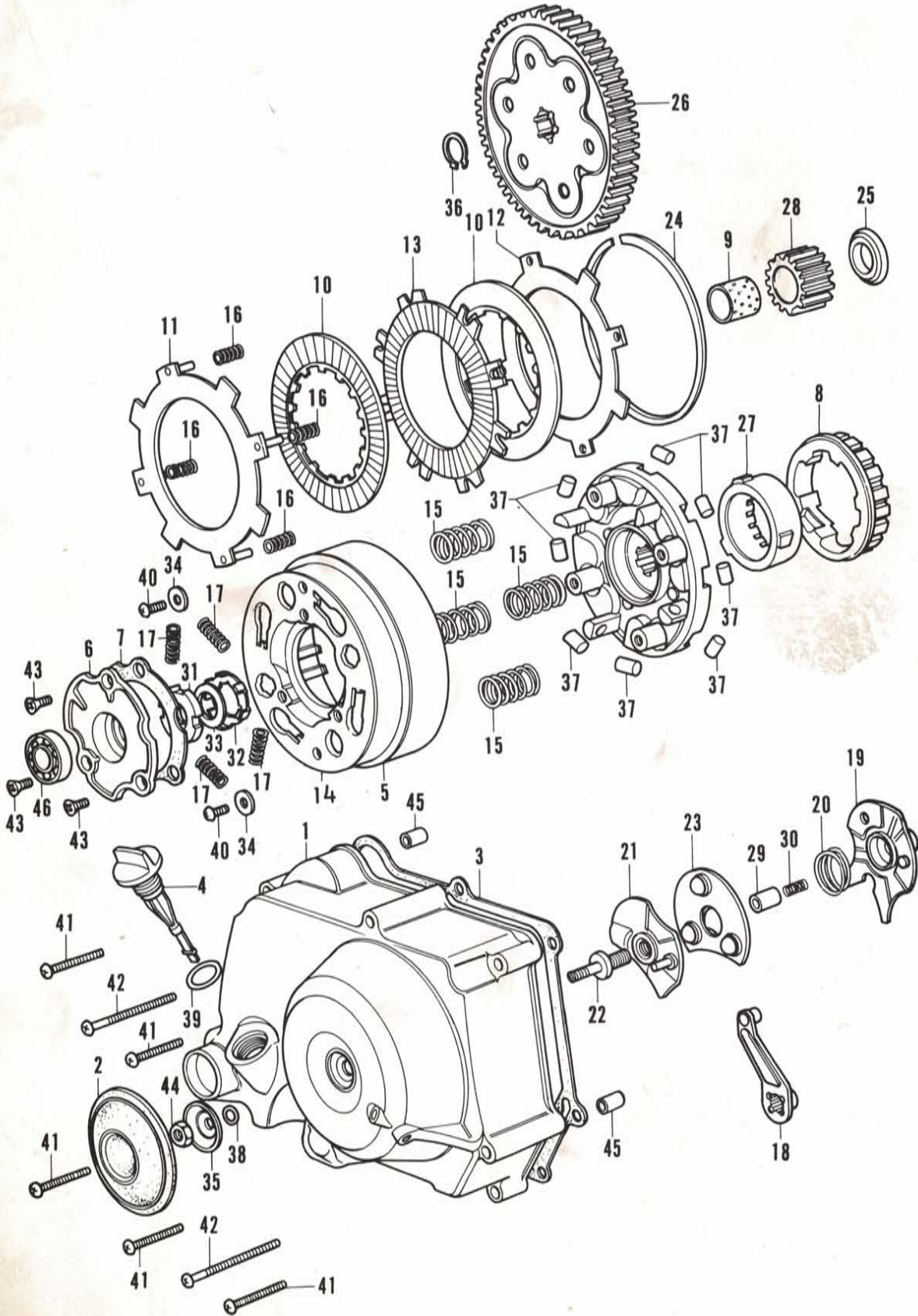
Camshaft • Chain Tensioner • Crankshaft



Camshaft . Cam Chain Tensioner . Crankshaft

Ref. No.	H/C	Part Number	Description	ATC70	ATC70K1	Remarks
28	11599	14731-028-000	CAP, VALVE STEM SEAL.....	1	1	
29	08303	14751-035-600	SPRING, OUTER VALVE.....	2	2	
30	06994	14761-035-000	SPRING, INNER VALVE.....	2	2	
31	08304	14771-035-600	RETAINER, VALVE SPRING.....	2	2	
32	11597	14776-028-000	SEAT, INNER VALVE SPRING.....	1	1	
33	00189	14781-001-010	COTTER, VALVE.....	4	4	
34	02397	90012-200-000	SCREW, TAPPET ADJUSTING..... [SUPERSEDED BY 90012-333-000]	2	2	
	29481	90012-333-000	SCREW, TAPPET ADJUSTING.....	2	2	
35	27077	90081-086-000	BOLT, SEALING, 14MM.....	1	1	
36	18149	90083-035-010	BOLT, KNOCK, 5MM.....	3	3	
37	00459	90206-001-000	NUT, TAPPET ADJUSTING.....	2	2	
38	07095	90441-035-000	WASHER, SEALING, 14MM.....	1	1	
39	07093	90481-035-000	WASHER, 8MM.....	1	1	
40	07089	90741-035-000	KEY, WOODRUFF.....	1	1	
41	02202	91301-216-000	O RING, 5.5X1.5.....	1	1	
42	16733	94001-08000-05	NUT, HEX., 8MM.....	1	1	
43	05336	96100-63040	BEARING, BALL, 6304.....	2	2	

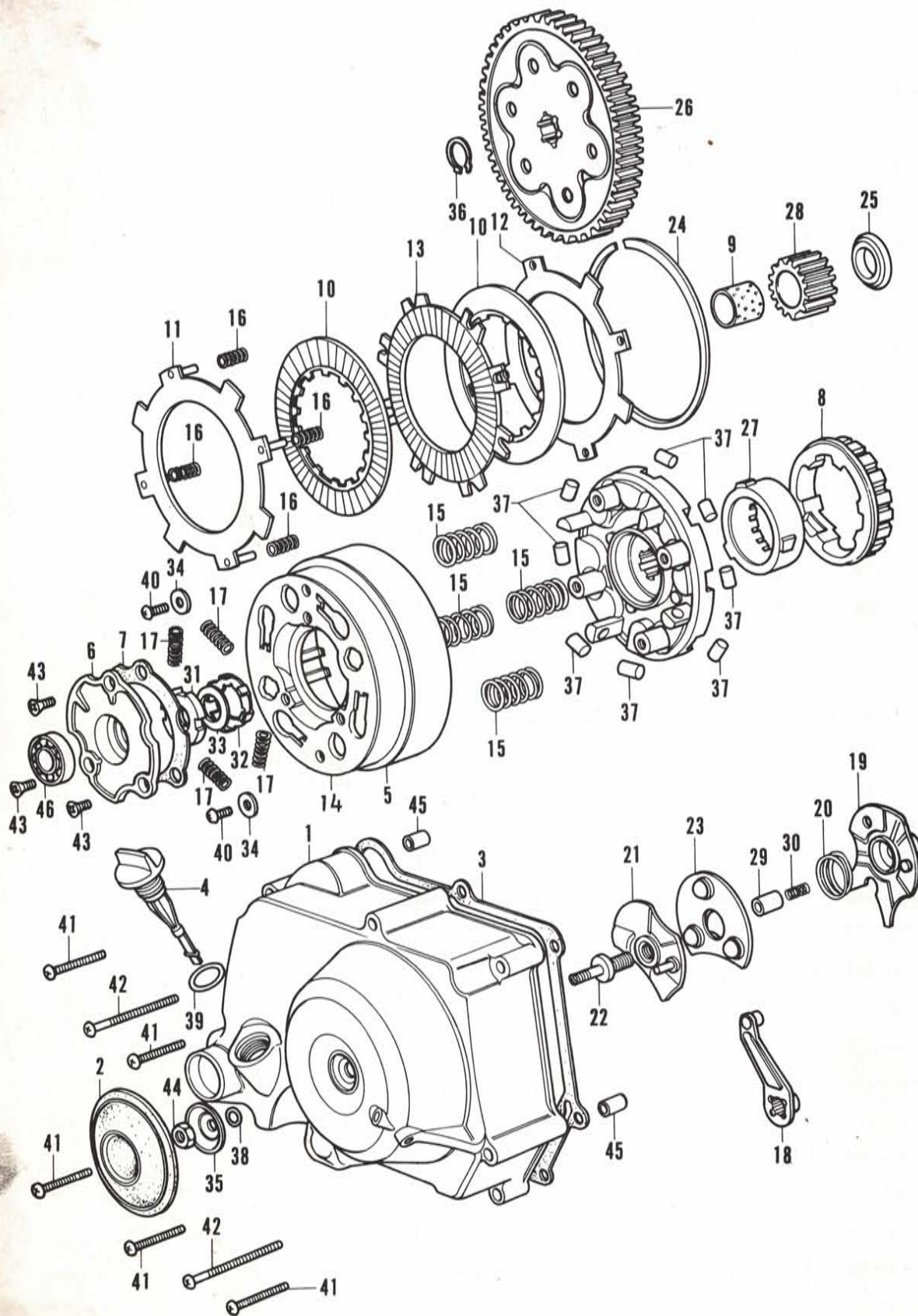
Right Crankcase Cover • Clutch



Right Crankcase Cover . Clutch

Ref. No.	H/C	Part Number	Description	ATC70	ATC70K1	Remarks
1	32342	11330-937-000	COVER COMP., RIGHT CRANKCASE.....	1	1	
2	27413	11335-102-700	PROTECTOR, RIGHT CRANKCASE COVER.....	1	1	
3	14222	11394-035-010	GASKET, RIGHT CRANKCASE COVER.....	1	1	
4	26812	15650-098-730	GAUGE, OIL LEVEL.....	1	1	
5	18150	22101-040-030	OUTER, CLUTCH.....	1	1	
6	17462	22111-040-000	COVER, CLUTCH OUTER.....	1	1	
7	17463	22119-040-000	GASKET, CLUTCH OUTER COVER.....	1	1	
8	20386	22120-040-030	CENTER CLUTCH *17T*.....	1	1	
9	12375	22131-035-020	GUIDE, CLUTCH CENTER.....	1	1	
10	27087	22201-092-000	DISK A, CLUTCH FRICTION.....	2	2	
11	17295	22310-041-010	PLATE A, CLUTCH.....	1	1	
12	17466	22321-041-000	PLATE B, CLUTCH.....	1	1	
13	27084	22331-086-000	DISK B, CLUTCH FRICTION.....	1	1	
14	27082	22351-086-010	PLATE, DRIVE.....	1	1	
15	27085	22401-092-010	SPRING, CLUTCH.....	4	4	
16	27086	22411-092-000	SPRING, CLUTCH FREE.....	4	4	
17	17471	22421-040-000	SPRING, CLUTCH DAMPER.....	4	4	
18	17472	22811-040-020	LEVER, CLUTCH.....	1	1	
19	23505	22820-918-000	PLATE, CLUTCH CAM.....	1	1	
20	08783	22825-046-000	SPRING, CAM PLATE SIDE.....	1	1	
21	17473	22830-041-000	PLATE, CLUTCH LIFTER.....	1	1	
22	17476	22846-040-010	BOLT, CLUTCH ADJUSTING.....	1	1	
23	14153	22860-041-000	RETAINER, BALL.....	1	1	
24	00334	22901-001-000	SET RING, 101.5MM.....	1	1	
25	07048	22911-035-010	COLLAR, 17MM.....	1	1	
26	27083	23110-086-020	GEAR, PRIMARY DRIVEN *69T*.....	1	1	
27	27078	23112-086-020	OUTER, DRIVE GEAR *17T*.....	1	1	
28	27079	23120-086-020	GEAR, PRIMARY DRIVE *17T*.....	1	1	
29	23430	25551-918-000	THROUGH, OIL.....	1	1	
30	17572	25555-065-000	SPRING, OIL THROUGH.....	1	1	
31	18523	90231-087-000	NUT, LOCK, 14MM.....	1	1	
32	26903	90431-086-000	WASHER, LOCK, 14MM.....	1	1	
33	27074	90432-086-000	WASHER B, LOCK.....	1	1	
34	08579	90483-04--000	WASHER, STOPPER.....	4	4	
35	27426	90485-102-700	WASHER, CLUTCH ADJUSTING BOLT.....	1	1	
36	00370	90601-001-000	CIRCLIP, 17MM.....	1	1	
37	21987	91101-039-000	ROLLER, 8X9.9.....	8	8	

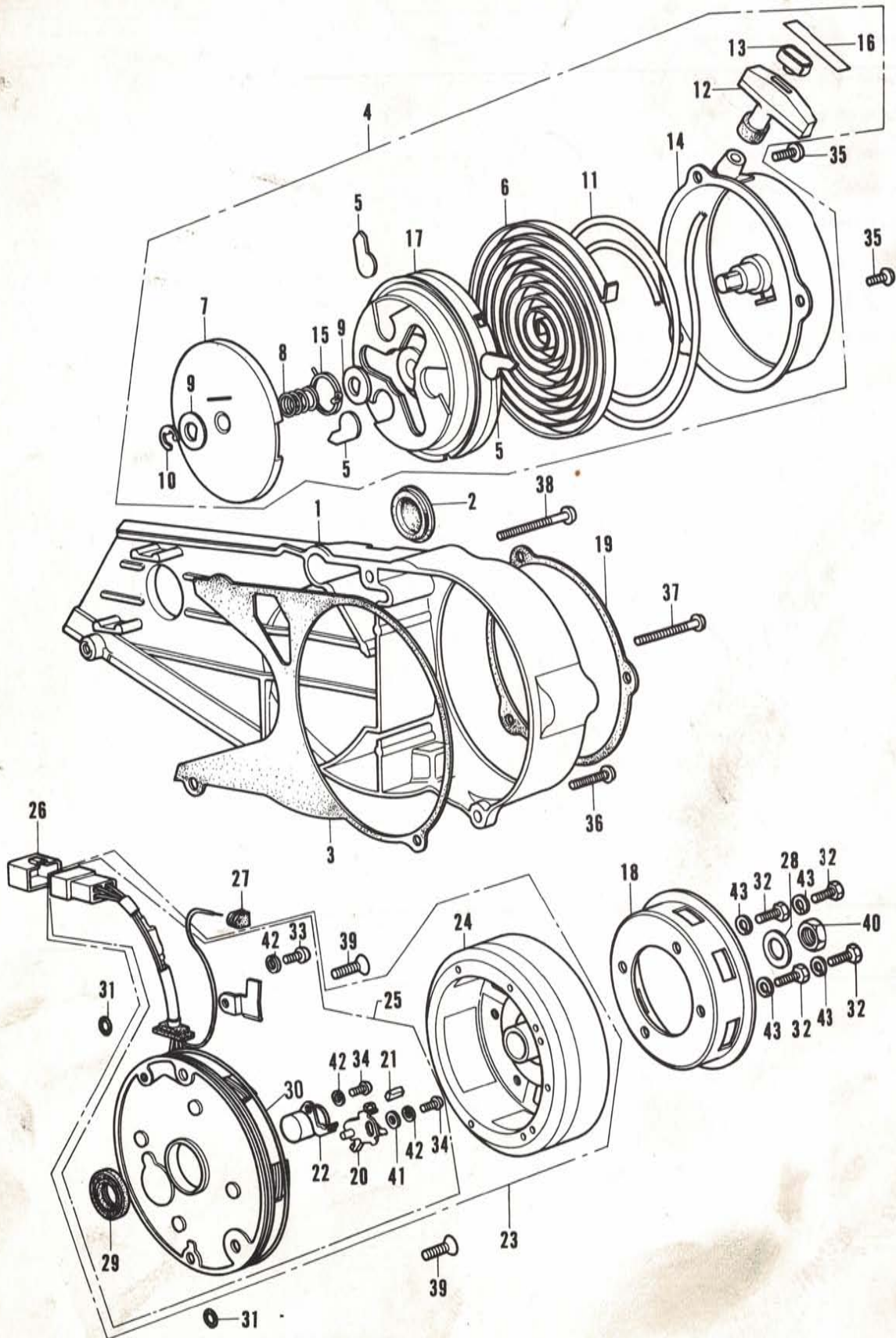
Right Crankcase Cover - Clutch



Right Crankcase Cover . Clutch

Ref. No.	H/C	Part Number	Description	ATC70	ATC70K1	Remarks
38	00320	91303-001-000	O RING, 8MM.....	1	1	
39	12807	91311-044-000	O RING, 18X3.....	1	1	
40	14554	93500-05008-0A	SCREW, PAN, 5X8.....	4	4	
41	05759	93500-06038	SCREW, PAN, 6X38.....	6	6	
42	05769	93500-06065	SCREW, PAN, 6X65.....	2	2	
43	18152	93600-05010-0A	SCREW, FLAT, 5X10.....	3	3	
44	11468	94030-08000	NUT, HEX., 8MM.....	2	2	
45	06932	94301-08120	PIN A, KNOCK, 8X12A.....	2	2	
46	05315	96100-60000	BEARING, BALL, 6000.....	1	1	

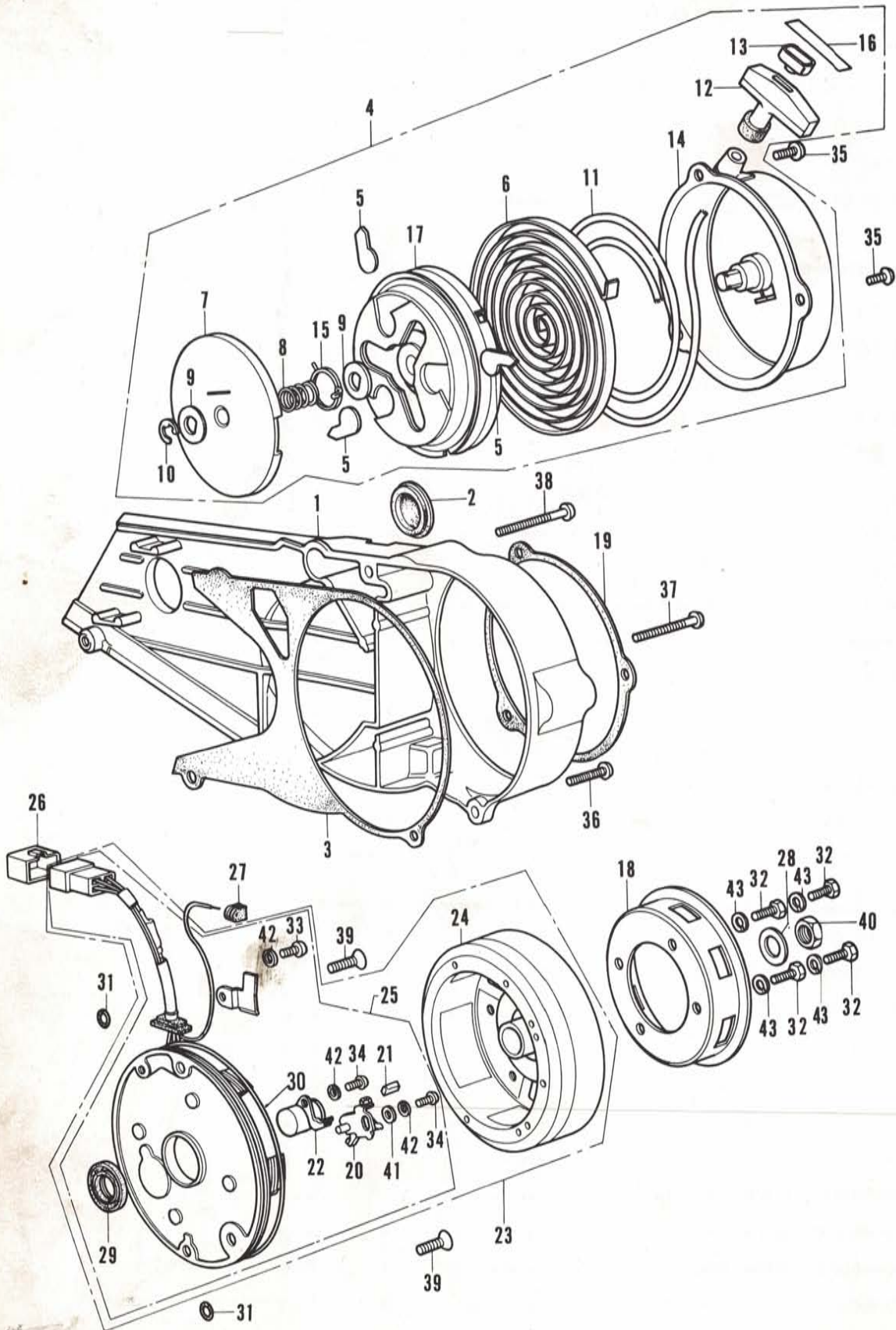
Left Crankcase Cover • Generator • Recoil Starter



Left Crankcase Cover . Dynamo . Starter

Ref. No.	H/C	Part Number	Description	ATC70	ATC70K1	Remarks
1	32343	11341-937-000	COVER, LEFT CRANKCASE.....	1	1	
2	33004	11391-351-000	CAP, CHAIN ADJUSTING HOLE.....	1	1	
3	33003	11401-041-000	GASKET, LEFT CRANKCASE COVER.....	1	1	
4	32347	28400-937-004AU	STARTER ASSY., RECOIL.....	1	1	
5	33015	28401-937-004	RATCHET, STARTER.....	3	3	
6	33016	28402-937-004	SPRING, STARTER RETURN.....	1	1	
7	33017	28403-937-004	PLATE, FRICTION.....	1	1	
8	33018	28404-937-004	SPRING, FRICTION.....	1	1	
9	33019	28405-937-004	WASHER.....	2	2	
10	33020	28406-937-004	RING, E.....	1	1	
11	33021	28407-937-004	ROPE, RECOIL STARTER.....	1	1	
12	30002	28408-918-010	KNOB, STARTER.....	1	1	
13	24704	28409-918-000	STOPPER, ROPE.....	1	1	
14	33022	28410-937-004AU	CASE COMP., RECOIL STARTER.....	1	1	
15	33023	28413-937-004	SPRING, SET.....	1	1	
16	24708	28414-918-000	TAPE, KNOB.....	1	1	
17	33024	28420-937-004	PULLEY COMP., RECOIL STARTER.....	1	1	
18	32348	28430-937-004	PULLEY COMP., STARTER.....	1	1	
19	32349	28440-937-000	PACKING, STARTER.....	1	1	
20	17579	30202-041-015	BREAKER, CONTACT.....	1	1	
21	17546	30205-041-005	FELT, OIL.....	1	1	
22	17547	30250-041-005	CONDENSER.....	1	1	
23	32350	31100-937-005	A.C. GENERATOR ASSY.....	1	1	
24	32351	31121-937-005	FLYWHEEL COMP.....	1	1	
25	26793	31141-098-731	STATOR ASSY.....	1	1	
26	33602	32138-937-000	COVER, COUPLER, 4P.....	1	1	
27	07024	32981-035-000	GROMMET, NEUTRAL SWITCH CORD.....	1	1	
28	07092	90426-035-000	WASHER, MAGNETO FIXING.....	1	1	
29	07102	91202-035-000	OIL SEAL, 18.9X30X5.....	1	1	
30	06954	91301-035-000	O RING, 107X2.....	1	1	
31	07103	91317-703-000	O RING, 6X1.7.....	2	2	
32	05423	92000-06016	BOLT, HEX., 6X16.....	4	4	
33	17178	93500-04006-0A	SCREW, PAN, 4X6.....	1	1	
34	18835	93500-04010-0A	SCREW, PAN, 4X10.....	2	2	
35	05743	93500-06012-02	SCREW, PAN, 6X12.....	3	3	
36	05749	93500-06020	SCREW, PAN, 6X20.....	1	1	
37	05754	93500-06028	SCREW, PAN, 6X28.....	1	1	

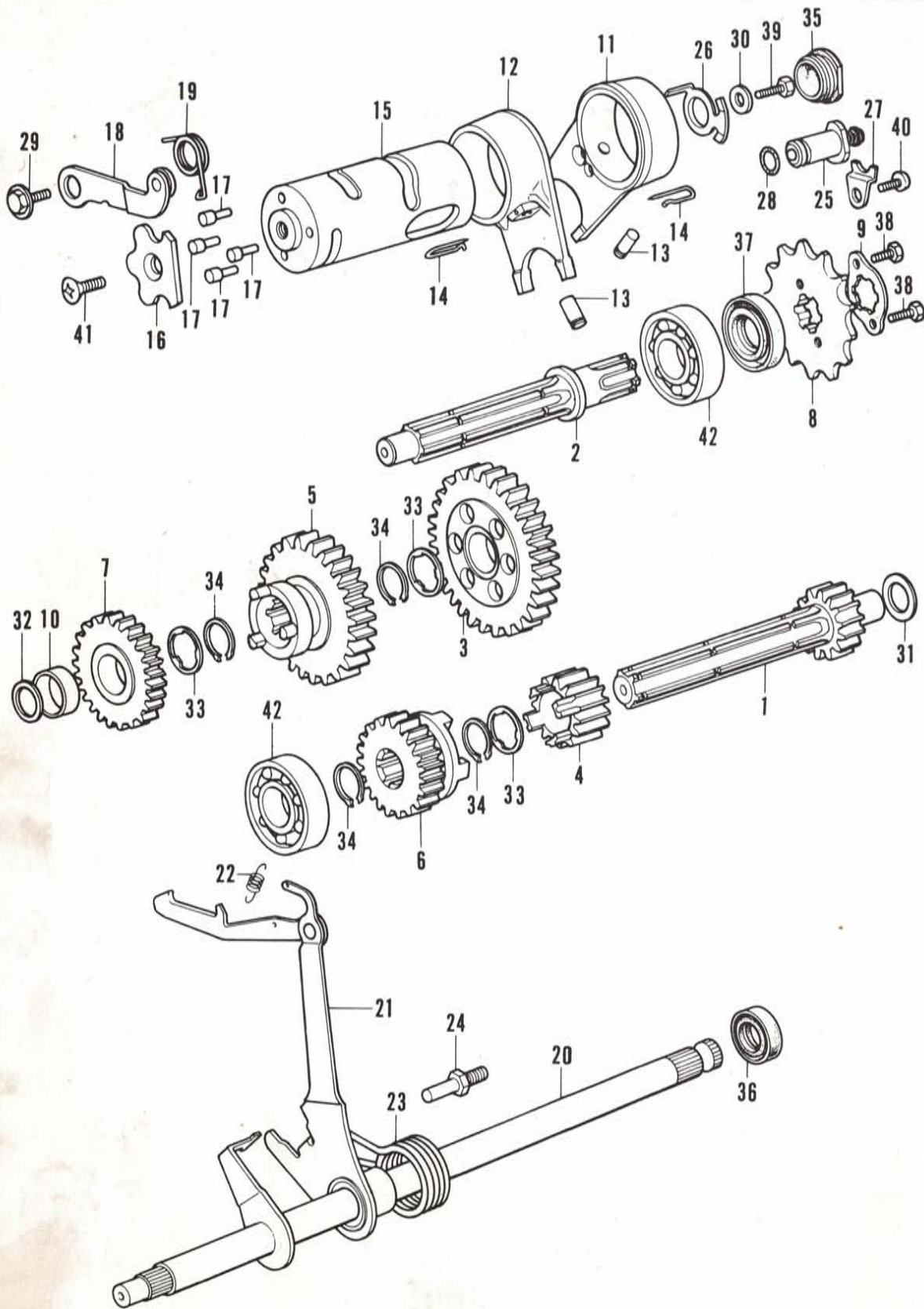
Left Crankcase Cover • Generator • Recoil Starter



Left Crankcase Cover . Dynamo . Starter

Ref. No.	H/C	Part Number	Description	ATC70	ATC70K1	Remarks
38	07995	93500-06036	SCREW, PAN, 6X36.....	1	1	
39	05579	93600-06016	SCREW, FLAT, 6X16.....	2	2	
40	22302	94030-10000	NUT, HEX., 10MM.....	1	1	
41	05904	94101-04000	WASHER, PLAIN, 4MM.....	1	1	
42	05895	94111-04000	WASHER, SPRING, 4MM.....	3	3	
43	05897	94111-06000	WASHER, SPRING, 6MM.....	4	4	

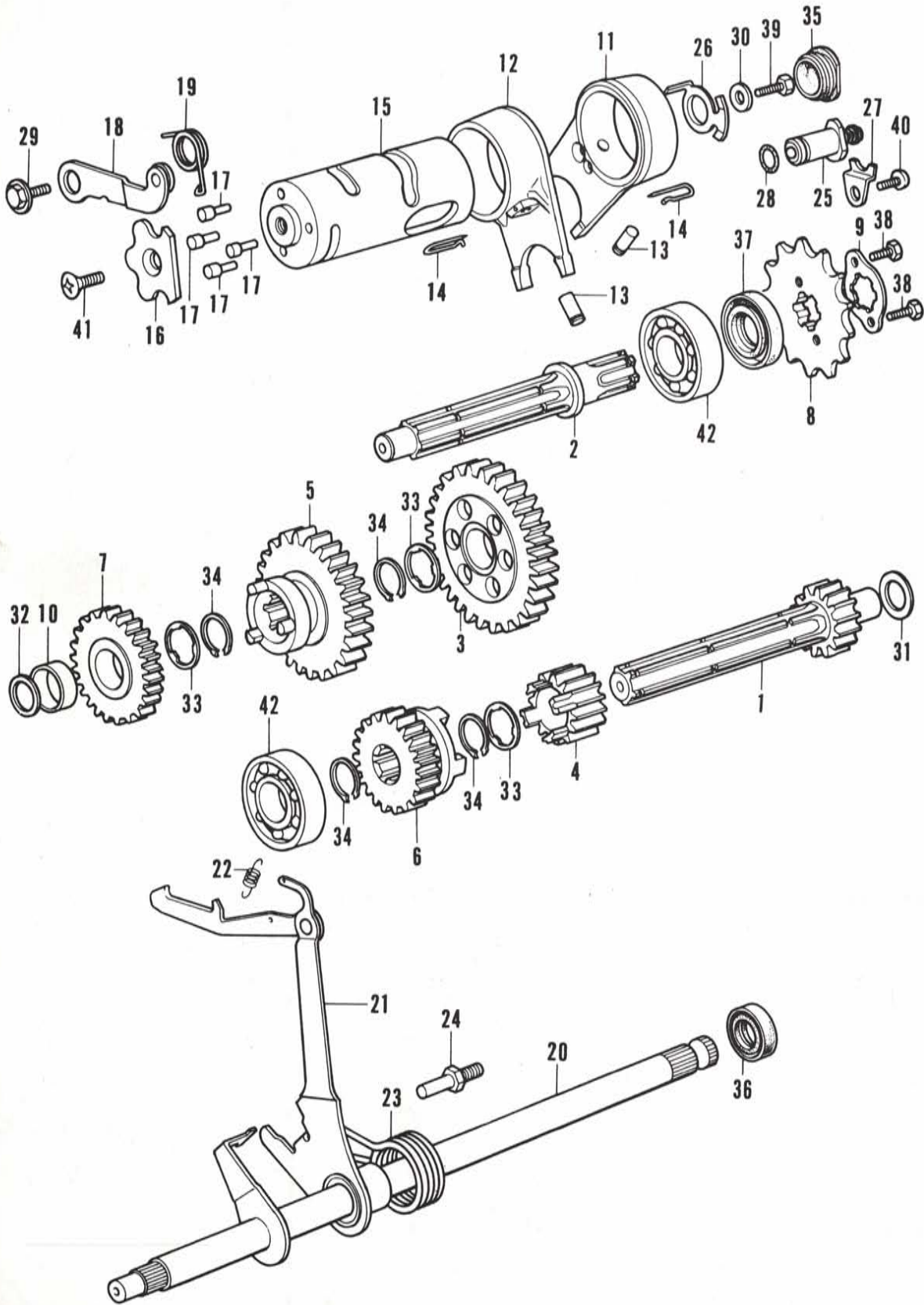
Gear Shift - Transmission



Gear Shift .Transmission

Ref. No.	H/C	Part Number	Description	ATC70	ATC70K1	Remarks
1	17480	23211-041-020	SHAFT, MAIN, TRANSMISSION.....	1	1	
2	17481	23221-041-040	SHAFT, COUNTER, TRANSMISSION.....	1	1	
3	27080	23421-086-000	GEAR, LOW, COUNTERSHAFT *36T*.....	1	1	
4	20134	23431-040-060	GEAR, SECOND, MAINSHAFT *18T*.....	1	1	
5	27081	23441-086-000	GEAR, SECOND, COUNTERSHAFT *31T*.....	1	1	
6	17485	23471-041-040	GEAR, TOP, MAINSHAFT *21T*.....	1	1	
7	27075	23481-086-000	GEAR, TOP, COUNTERSHAFT *25T*.....	1	1	
8	26358	23800-040-010	SPROCKET, DRIVE *14T*.....	1	1	
9	16805	23802-040-000	PLATE, DRIVE SPROCKET FIXING.....	1	1	
10	17489	23911-041-010	COLLAR, GEAR.....	1	1	
11	25107	24211-087-000	FORK, LEFT GEARSHIFT.....	1	1	
12	17563	24221-041-000	FORK, RIGHT GEARSHIFT.....	1	1	
13	11696	24261-028-010	PIN, GEARSHIFT FORK GUIDE.....	2	2	
14	01426	24263-028-000	CLIP, SHIFT FORK GUIDE PIN.....	2	2	
15	17564	24301-045-670	DRUM, GEARSHIFT.....	1	1	
16	17565	24411-041-020	PLATE, SHIFT DRUM STOPPER.....	1	1	
17	17566	24421-041-000	PIN, GEARSHIFT DRUM.....	4	4	
18	17567	24430-041-000	STOPPER, SHIFT DRUM.....	1	1	
19	11635	24435-040-000	SPRING, SHIFT DRUM STOPPER.....	1	1	
20	26795	24610-098-730	SPINDLE COMP., GEARSHIFT.....	1	1	
21	27076	24630-086-000	ARM, GEARSHIFT.....	1	1	
22	13274	24641-041-000	SPRING, GEARSHIFT ARM.....	1	1	
23	17570	24651-041-000	SPRING, GEARSHIFT RETURN.....	1	1	
24	07069	24652-035-000	PIN, SHIFT RETURN SPRING.....	1	1	
25	00243	35750-001-020	CONTACT ASSY., NEUTRAL SWITCH.....	1	1	
26	22079	35753-035-010	ROTOR, NEUTRAL SWITCH.....	1	1	
27	00248	35755-001-020	PLATE, CONTACT FIXING.....	1	1	
28	00244	37551-001-000	O RING, 7X1.6.....	1	1	
29	14116	90023-041-000	PIVOT, SHIFT DRUM STOPPER ARM.....	1	1	
30	12405	90417-041-000	WASHER, SIDE, SHIFT DRUM.....	1	1	
31	00467	90451-001-000	WASHER, THRUST, 14MM.....	1	1	
32	07090	90451-035-000	WASHER, THRUST, 13.5MM.....	1	1	
33	18561	90461-035-000	WASHER, SPLINE, 17MM.....	3	3	
34	00370	90601-001-000	CIRCLIP, 17MM.....	4	4	
35	06950	90801-035-000	PLUG, RUBBER, 19MM.....	1	1	
36	00498	91203-001-000	OIL SEAL, 11.6X24X10.....	1	1	
37	07104	91203-035-000	OIL SEAL, 17X29X5.....	1	1	

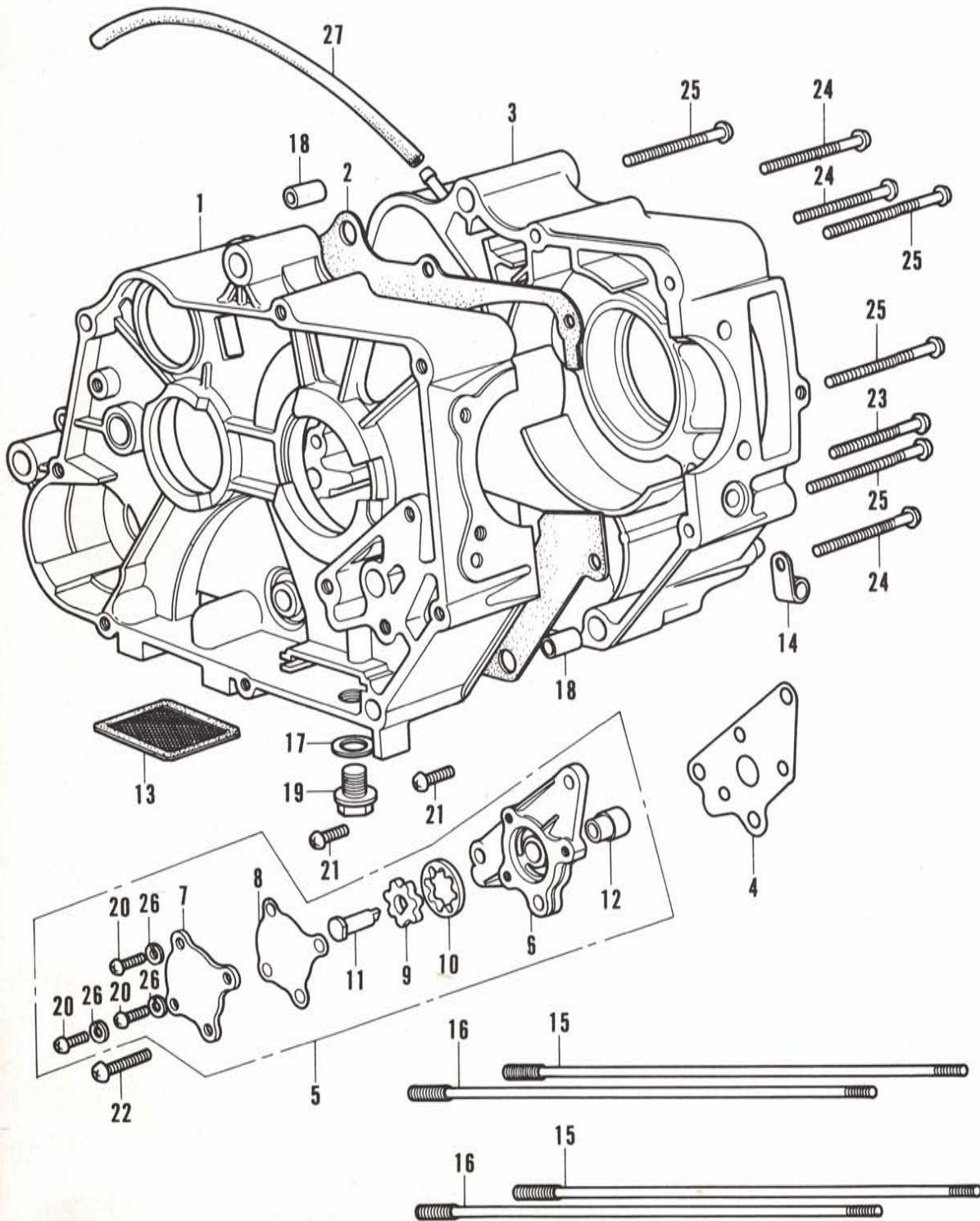
Gear Shift • Transmission



Gear Shift.Transmission

Ref. No.	H/C	Part Number	Description	ATC70	ATC70K1	Remarks
38	05415	92000-06008	BOLT, HEX., 6X8.....	2	2	
39	05423	92000-06016	BOLT, HEX., 6X16.....	1	1	
40	05742	93500-06012	SCREW, PAN, 6X12.....	1	1	
41	05651	93700-06020	SCREW, OVAL, 6X20.....	1	1	
42	05325	96100-62030	BEARING, BALL, 6203.....	2	2	

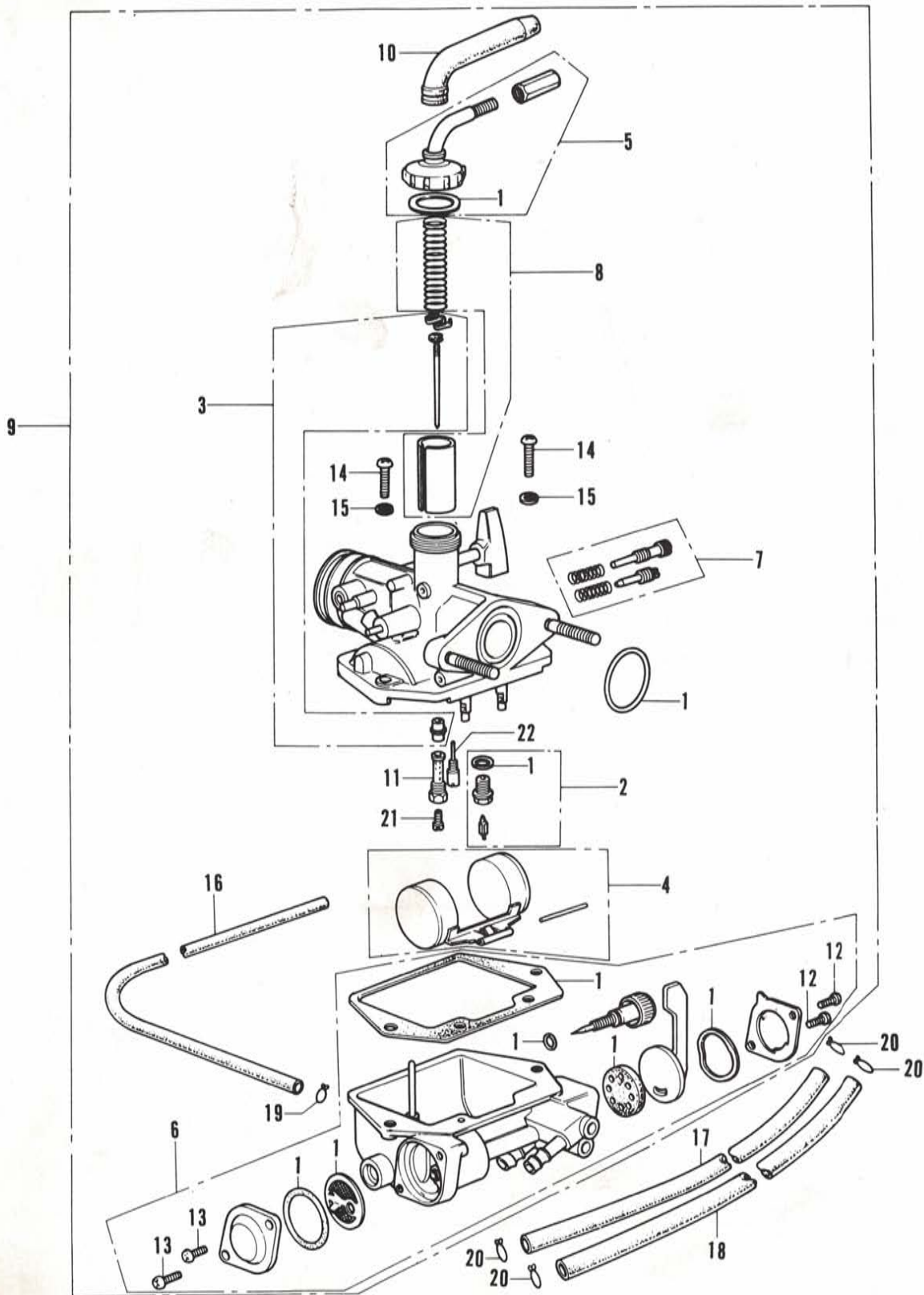
Crankcase • Oil Pump



Crankcase . Oil Pump

Ref. No.	H/C	Part Number	Description	ATC70	ATC70K1	Remarks
1	20136	11100-045-010	CRANKCASE COMP., RIGHT.....	1	1	
2	20137	11191-045-000	PACKING, CRANKCASE.....	1	1	
3	26811	11200-098-731	CRANKCASE COMP., LEFT.....	1	1	
4	11798	15119-035-020	GASKET, OIL PUMP BODY.....	1	1	
5	13149	15300-035-000	PUMP ASSY., OIL.....	1	1	
6	18153	15311-035-013	BODY, OIL PUMP.....	1	1	
7	13151	15321-035-000	COVER, OIL PUMP.....	1	1	
8	13152	15329-035-000	GASKET, OIL PUMP COVER.....	1	1	
9	13153	15331-035-000	ROTOR, OIL PUMP INNER.....	1	1	
10	13154	15332-035-000	ROTOR, OIL PUMP OUTER.....	1	1	
11	13155	15382-035-000	SHAFT, OIL PUMP DRIVE.....	1	1	
12	13156	15383-035-000	PIN, OIL PUMP KNOCK.....	1	1	
13	07002	15421-035-010	SCREEN, OIL FILTER.....	1	1	
14	25327	16236-045-010	CLAMPER, OVER FLOW PIPE.....	1	1	
15	08287	90031-035-010	BOLT A, CYLINDER STUD.....	2	2	
16	07086	90032-035-000	BOLT B, CYLINDER STUD.....	2	2	
17	21834	90407-231-000	PACKING, DRAIN COCK.....	1	1	
18	13034	90704-035-000	PIN, KNOCK, 10X14A.....	2	2	
19	05397	92800-12000	BOLT, DRAIN PLUG, 12MM.....	1	1	
20	15697	93500-05010-0A	SCREW, PAN, 5X10.....	3	3	
21	05745	93500-06016	SCREW, PAN, 6X16.....	2	2	
22	05749	93500-06020	SCREW, PAN, 6X20.....	1	1	
23	05764	93500-06048	SCREW, PAN, 6X48.....	1	1	
24	05768	93500-06060	SCREW, PAN, 6X60.....	3	3	
25	05769	93500-06065	SCREW, PAN, 6X65.....	4	4	
26	05896	94111-05000	WASHER, SPRING, 5MM.....	3	3	
27	33026	95005-50200-30	TUBE, 5X200.....	1	1	

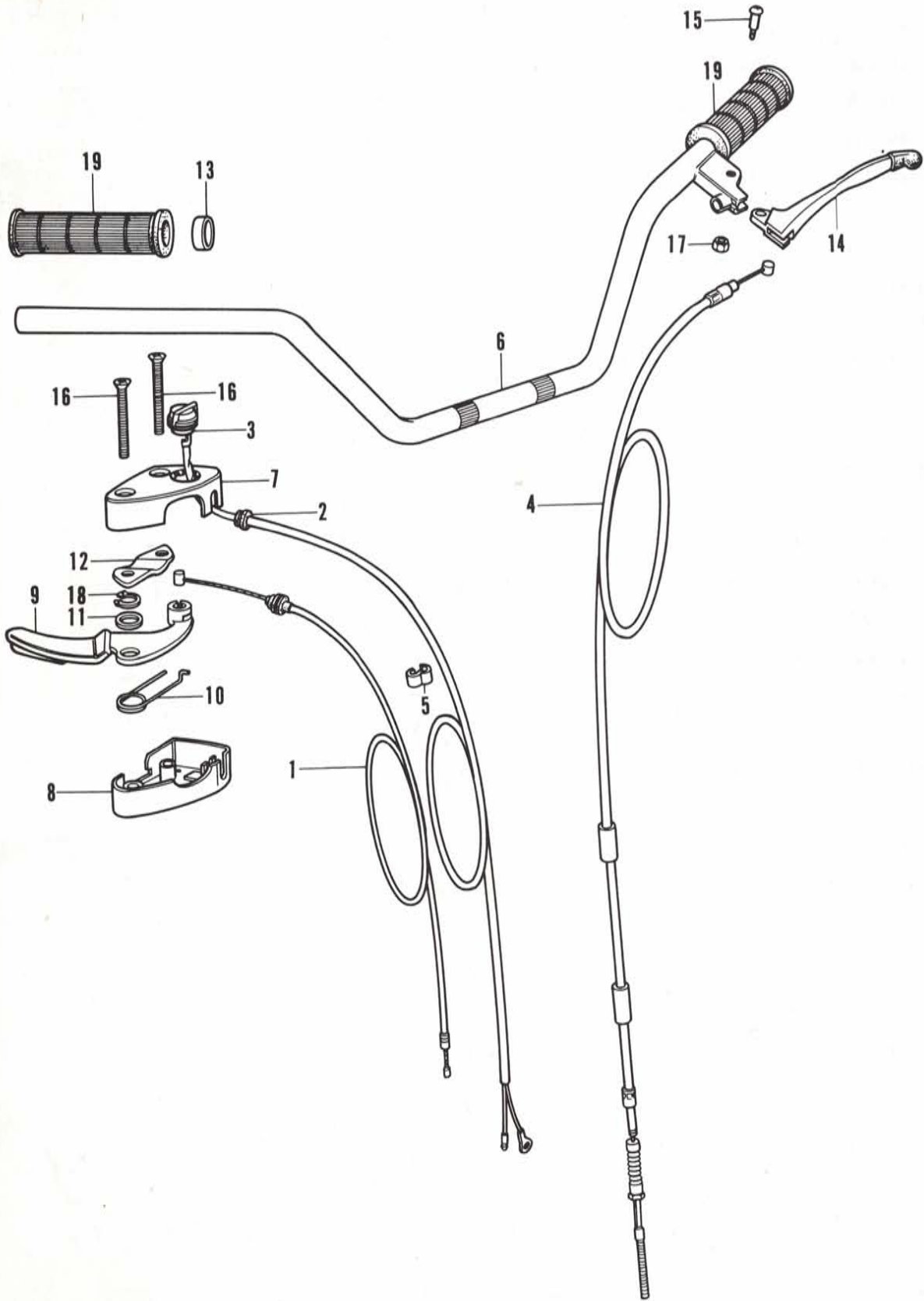
Carburetor



Carburetor

Ref. No.	H/C	Part Number	Description	ATC70	ATC70K1	Remarks
1	30931	16010-098-004	PACKING SET.....	1	1	
2	33010	16011-937-004	VALVE SET, FLOAT.....	1	1	
3	33011	16012-937-004	NEEDLE SET, JET.....	1	1	
4	31010	16013-046-004	FLOAT SET.....	1	1	
5	31183	16014-918-004	TOP SET.....	1	1	
6	31055	16015-102-004	CHAMBER SET, FLOAT.....	1	1	
7	31073	16016-046-004	SCREW SET A.....	1	1	
8	33012	16022-937-004	VALVE SET, THROTTLE.....	1	1	
9	32345	16100-937-004	CARBURETOR ASSY.....	1	1	
10	32866	16118-121-004	CAP, RUBBER.....	1	1	
11	33013	16165-937-004	HOLDER, NEEDLE JET.....	1	1	
12	16665	93500-03006-0A	SCREW, PAN, 3X6.....	2	2	
13	31236	93500-03007-0A	SCREW, PAN, 3X7.....	2	2	
14	16946	93500-04012-0A	SCREW, PAN, 4X12.....	2	2	
15	05895	94111-04000	WASHER, SPRING, 4MM.....	2	2	
16	26319	95001-35300-40	TUBE, FUEL, 3.5X300.....	1	1	
17	29239	95001-55200-40	TUBE, FUEL, 5.5X200.....	1	1	
18	33025	95001-55260-40	TUBE, FUEL, 5.5X260.....	1	1	
19	25063	95002-02070	CLIP B7, TUBE.....	1	1	
20	25098	95002-02100	CLIP B10, TUBE.....	4	4	
21	20324	99114-076-0600	JET, MAIN, #60.....	1	1	
22	33014	99124-246-0350	JET, SLOW, #35.....	1	-	
	15666	99124-286-0350	JET, SLOW, #35.....	-	1	

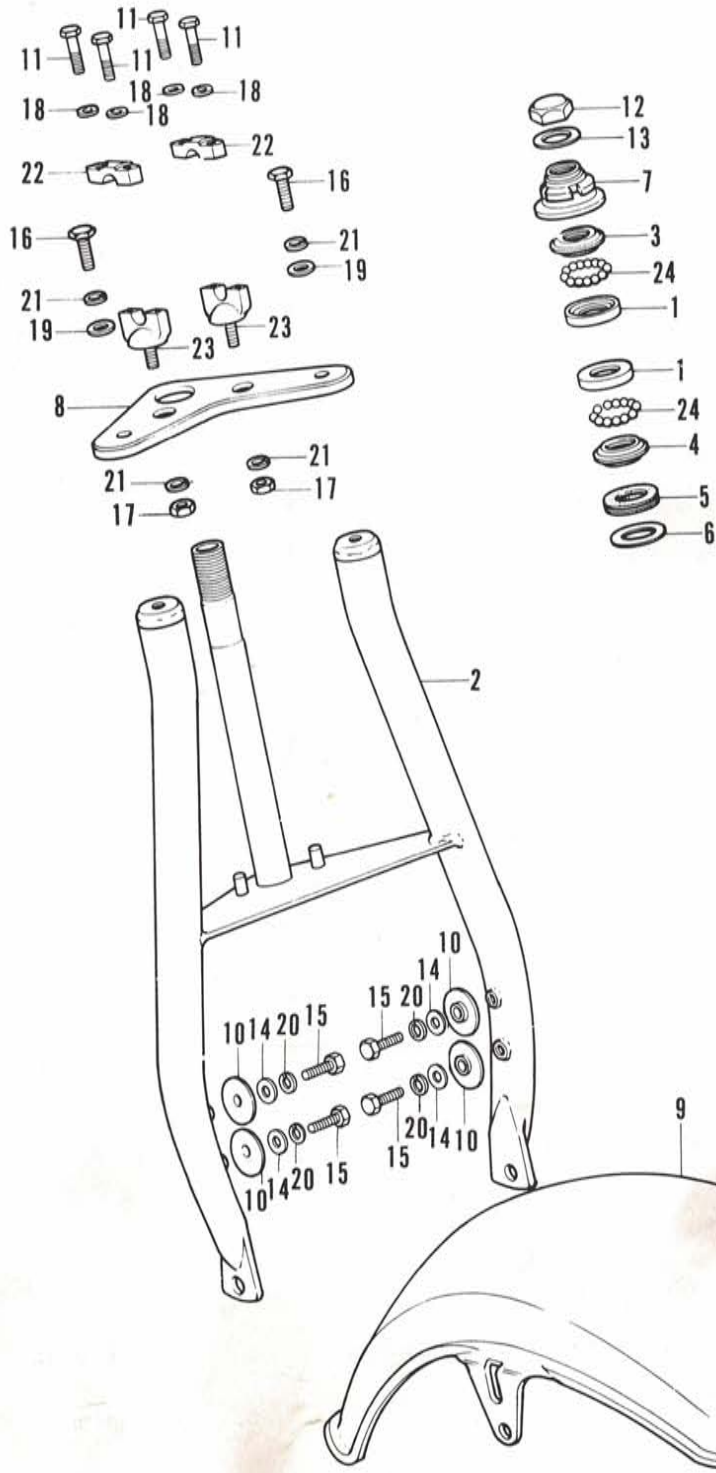
Steering Handle • Throttle Lever



Handle Bar

Ref. No.	H/C	Part Number	Description	ATC70	ATC70K1	Remarks
1	32355	17910-937-003	CABLE COMP., THROTTLE.....	1	1	
2	23506	34601-568-600	PACKING, SEAT.....	1	1	
3	33028	35300-937-000	SWITCH ASSY., KILL.....	1	1	
4	32378	43460-937-003	CABLE COMP., REAR BRAKE.....	1	1	
5	04852	45465-270-000	CLIP, FRONT BRAKE WIRE.....	1	1	
6	32391	53100-937-000	PIPE, STEERING HANDLE.....	1	1	
7	29047	53141-918-020XW	COVER, THROTTLE LEVER.....	1	1	
8	23467	53142-918-000	CASE, THROTTLE LEVER.....	1	1	
9	32392	53145-937-000	LEVER, THROTTLE.....	1	1	
10	32393	53146-937-000	SPRING, THROTTLE LEVER.....	1	1	
11	23470	53147-918-000	WASHER, 10MM.....	1	1	
12	23471	53148-918-000	SEAT, THROTTLE CASE.....	1	1	
13	26306	53152-918-0-0	STOPPER, CASE LEVER.....	1	1	
14	22226	53178-098-770	LEVER, LEFT HANDLE.....	1	1	
15	16914	90114-063-000	BOLT, HANDLE LEVER PIVOT.....	1	1	
16	23886	93700-05045-0B	SCREW, OVAL, 5X45.....	2	2	
17	15688	94001-05000-0S	NUT, HEX., 5MM.....	1	1	
18	15699	94510-10000	CIRCLIP, 10MM.....	1	1	
19	33603	95011-12200	CLIP, B.L. HANDLE.....	2	2	

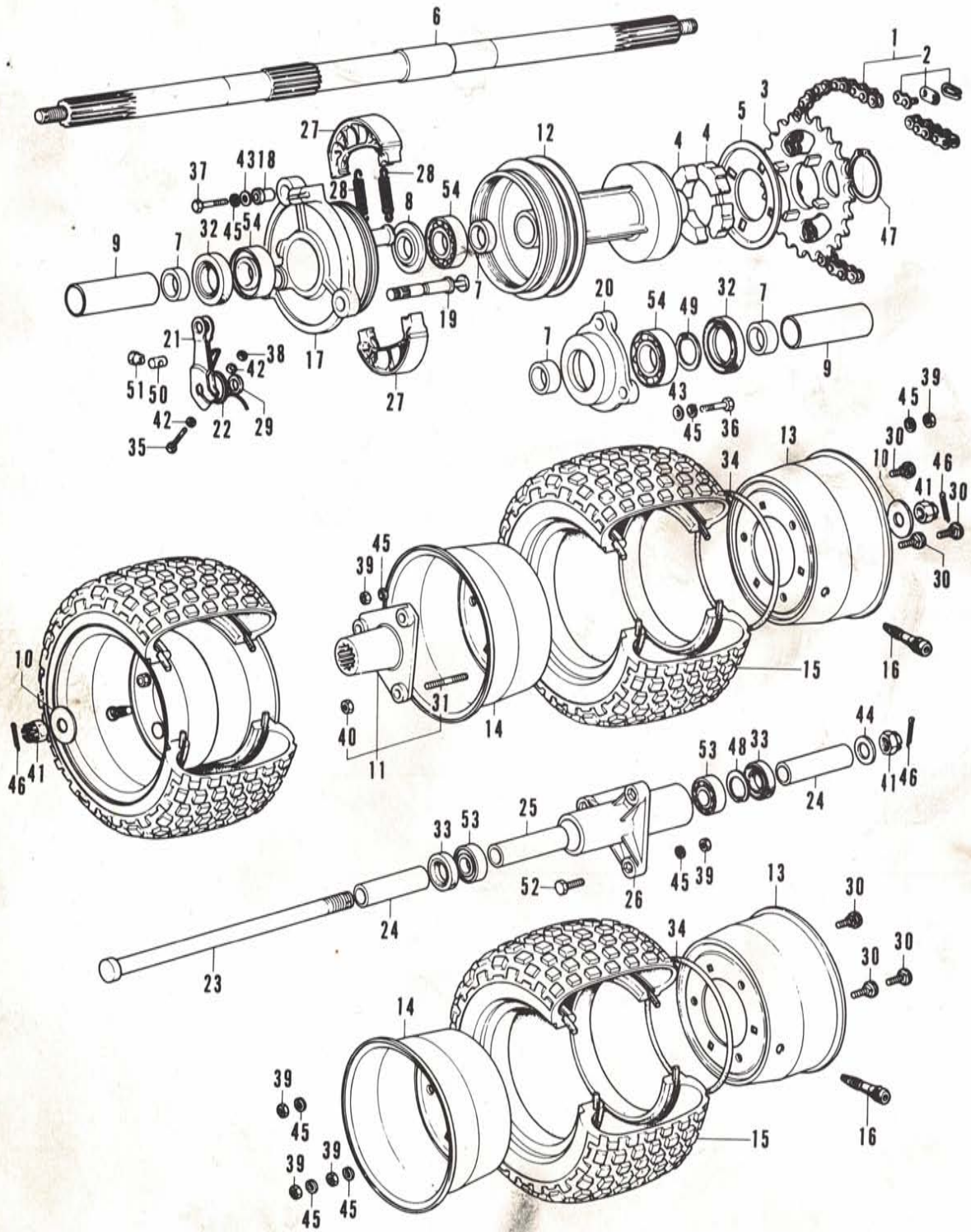
Front Fork - Front Fender



Front Fork . Front Fender

Ref. No.	H/C	Part Number	Description	ATC70	ATC70K1	Remarks
1	17206	50301-041-305	RACE, STEERING BALL.....	2	2	
2	32390	51400-937-000NQ	FORK COMP., FRONT.....	1	-	
	36805	51400-937-010TR	FORK COMP., FRONT.....	-	1	
3	23473	53211-028-000	RACE, STEERING TOP CONE.....	1	1	
4	32394	53212-937-000	RACE, BOTTOM CONE.....	1	1	
5	00907	53214-001-010	DUST SEAL, STEERING HEAD.....	1	1	
6	00908	53215-001-000	WASHER, DUST SEAL.....	1	1	
7	20165	53220-098-670	THREAD COMP., STEERING HEAD TOP.....	1	1	
8	32395	53231-937-000NQ	PLATE, FORK TOP BRIDGE.....	1	1	
9	32396	61100-937000BB	FENDER, FRONT.....	1	-	
	36806	61100-937-000TR	FENDER, FRONT.....	-	1	
10	29937	64348-086-000	WASHER, FRONT COVER FIXING.....	4	4	
11	17012	90117-065-000	BOLT, HEX., 6X28.....	4	4	
12	01223	90304-011-000	NUT, STEERING STEM.....	1	1	
13	01232	90503-011-000	WASHER, STEERING STEM NUT..... (SUPERSEDED BY 90503-051-870)	1	1	
	35802	90503-051-870	WASHER.....	1	1	
14	14491	90545-292-000	WASHER, 6.5X20.....	4	4	
15	05423	92000-06016	BOLT, HEX., 6X16.....	4	4	
16	25212	92000-10020-0A	BOLT, HEX., 10X20.....	2	2	
17	14539	94001-10000-0S	NUT, HEX., 10MM.....	2	2	
18	05907	94101-06000	WASHER, PLAIN, 6MM.....	4	2	
19	05911	94101-10000	WASHER, PLAIN, 10MM.....	2	2	
20	05897	94111-06000	WASHER, SPRING, 6MM.....	4	4	
21	05900	94111-10000	WASHER, SPRING, 10MM.....	4	4	
22	26889	95014-21100	HOLDER A, UPPER.....	2	2	
23	27861	95014-32100	HOLDER B, UNDER.....	2	2	
24	05892	96211-06000	BALL, STEEL, #6.....	42	42	

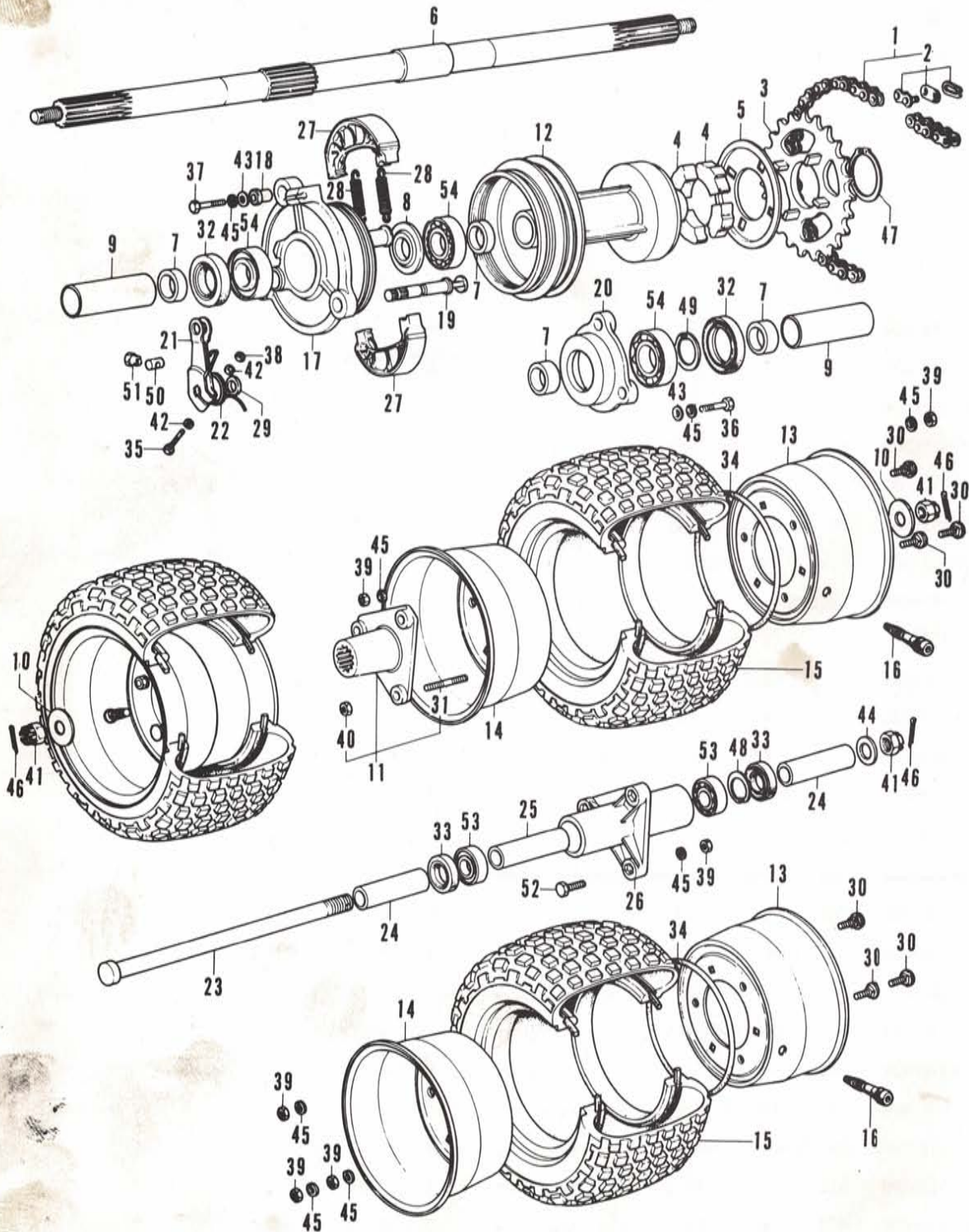
Front & Rear Wheels



Front Wheel . Rear Wheel

Ref. No.	H/C	Part Number	Description	ATC70	ATC70K1	Remarks
1	32366	40530-937-003	CHAIN, DRIVE *72L*.....	1	1	
2	24788	40531-098-003	JOINT, DRIVE CHAIN *DAIDO*.....	1	1	
3	26771	41201-098-970	SPROCKET, FINAL DRIVEN *35T*.....	1	1	
4	11808	41241-051-000	DAMPER, REAR WHEEL.....	4	4	
5	11809	41245-051-000	COVER, REAR WHEEL DAMPER.....	1	1	
6	32367	42301-937-000	AXLE, REAR WHEEL.....	1	1	
7	32368	42303-937-000	COLLAR, PANEL.....	4	4	
8	33029	42305-937-000	SPACER, RIGHT PANEL.....	1	1	
9	32369	42313-937-000	PIPE, REAR AXLE.....	2	2	
10	26267	42322-918-010	WASHER, 15MM.....	2	2	
11	32370	42400-937-000	BOSS COMP., REAR WHEEL.....	2	2	
12	32371	42601-937-000	HUB, REAR WHEEL.....	1	1	
13	33030	42716-937-000S	RIM, OUTER.....	3	3	
14	33031	42717-937-000S	RIM, INNER.....	3	3	
15	32372	42751-937-000	TIRE, WHEEL *16X8.0-7*.....	3	3	
16	33032	42753-937-000	VALVE, RIM.....	3	3	
17	32373	43100-937-000	PANEL COMP., RIGHT.....	1	1	
18	32374	43110-937-000	CUSHION, PANEL.....	3	3	
19	32375	43141-937-010	CAM, REAR BRAKE.....	1	1	
20	32376	43201-937-000	PANEL, LEFT.....	1	1	
21	33033	43410-937-000	ARM, REAR BRAKE.....	1	1	
22	32377	43413-937-000	SPRING, REAR BRAKE ARM RETURN.....	1	1	
23	32379	44301-937-000	AXLE, FRONT WHEEL.....	1	1	
24	32380	44311-937-000	COLLAR, FRONT.....	2	2	
25	32381	44313-937-000	COLLAR, FRONT CENTER.....	1	1	
26	32382	44601-937-000	HUB, FRONT WHEEL.....	1	1	
27	00999	45120-001-010	SHOE COMP., BRAKE.....	2	2	
28	16680	45133-028-000	SPRING, BRAKE SHOE.....	2	2	
29	04839	45134-250-000	DUST SEAL, BRAKE ARM.....	1	1	
30	32406	90101-937-000	BOLT, WHEEL.....	9	9	
31	33036	90927-937-000	BOLT, STUD, 8X38.....	6	6	
32	32407	91201-937-000	OIL SEAL, 35X52X7.....	2	2	
33	32408	91202-937-000	OIL SEAL, 21X35X8.....	2	2	
34	32409	91351-937-000	O RING, WHEEL.....	3	3	
35	31320	92000-06036	BOLT, HEX., 6X36.....	1	1	
36	15935	92000-08025-0A	BOLT, HEX., 8X25.....	3	3	
37	19827	92000-08035-0A	BOLT, HEX., 8X35.....	3	-	
			[SUPERSEDED BY 92000-08036-0A]			
	15603	92000-08036-0A	BOLT, HEX., 8X36.....	3	3	

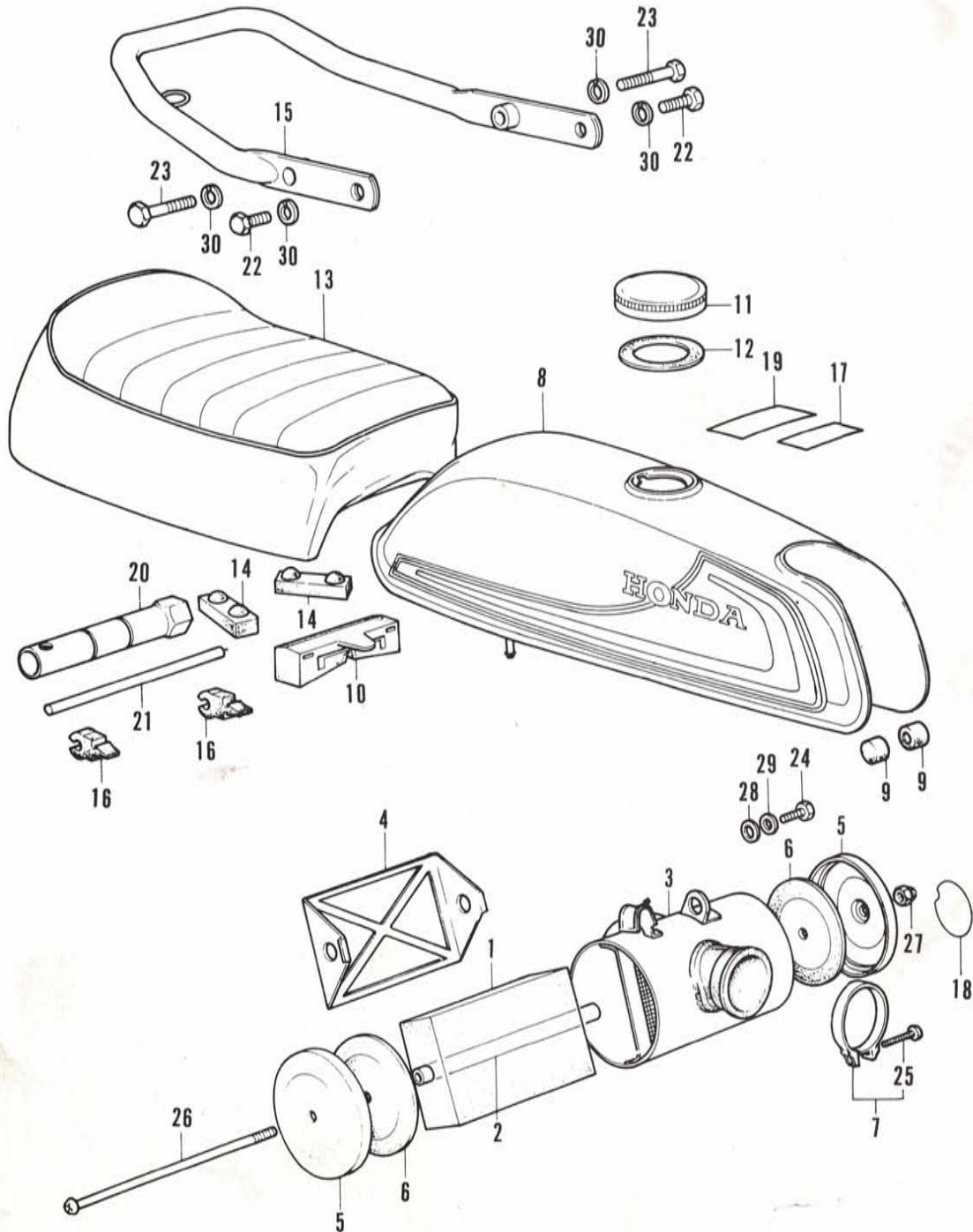
Front & Rear Wheels



Front Wheel - Rear Wheel

Ref. No.	H/C	Part Number	Description	ATC70	ATC70K1	Remarks
38	15606	94001-06000-05	NUT, HEX., 6MM.....	1	1	
39	16733	94001-08000-05	NUT, HEX., 8MM.....	18	18	
40	15607	94002-08000-05	NUT, HEX., 8MM.....	6	-	
	18104	94002-08020-05	NUT, HEX., 8MM.....	-	6	
41	24377	94011-14020-05	NUT, CASTLE, 14MM.....	3	-	
	23402	94011-14000-05	NUT, CASTLE, 14MM.....	-	3	
42	05907	94101-06000	WASHER, PLAIN, 6MM.....	2	2	
43	05909	94101-08000	WASHER, PLAIN, 8MM.....	6	6	
44	10967	94101-14000	WASHER, PLAIN, 14MM.....	1	1	
45	05898	94111-08000	WASHER, SPRING, 8MM.....	24	24	
46	05845	94201-30450	PIN, SPLIT, 3.0X25.....	3	3	
47	33604	94511-50000	CIRCLIP, EXTERNAL, 50MM.....	1	1	
48	33605	94520-35000	CIRCLIP, INTERNAL, 35MM.....	1	1	
49	07320	94520-52000	CIRCLIP, INTERNAL, 52MM.....	1	1	
50	27106	95015-31000	JOINT A, BRAKE ARM.....	1	1	
51	30149	95015-41000	NUT A, ADJUST.....	1	1	
52	26604	95100-08025	BOLT, HEX., 8X25.....	3	3	
53	05323	96100-62020-10	BEARING, RADIAL BALL, 6202.....	2	2	
	36807	96100-62050-10	BEARING, RADIAL BALL, 6205.....	-	2	
54	33606	96140-62050-10	BEARING, RADIAL BALL, 6205.....	2	-	
	33606	96140-62050-10	BEARING, RADIAL BALL, 6205.....	1	1	

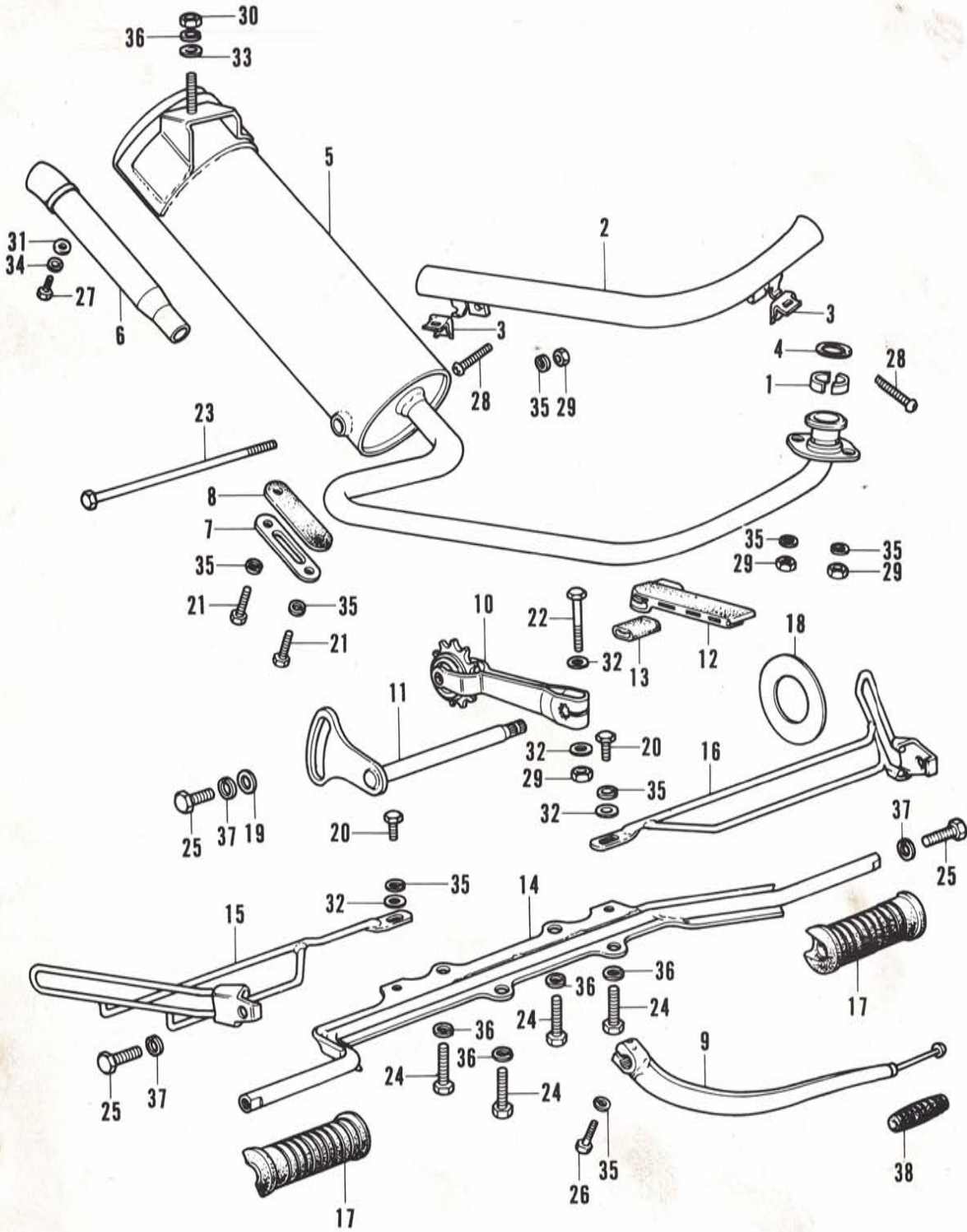
Fuel Tank • Seat • Air Cleaner



Fuel Tank . Seat . Air Cleaner

Ref. No.	H/C	Part Number	Description	ATC70	ATC70K1	Remarks
1	23357	17211-098-771	ELEMENT, AIR CLEANER.....	1	1	
2	33027	17212-045-010	PIPE, AIR CLEANER INNER.....	1	1	
3	32352	17221-937-000	CASE, AIR CLEANER.....	1	1	
4	23359	17222-098-771	PLATE, ELEMENT SET.....	1	1	
5	20146	17231-045-030	COVER, AIR CLEANER.....	2	2	
6	23360	17252-098-771	PACKING, AIR CLEANER CASE.....	2	2	
7	11476	17255-098-000	BAND, AIR CLEANER CONNECTING TUBE.....	1	1	
8	32353	17510-937-000BB	TANK ASSY., FUEL.....	1	-	
	36808	17510-937-010TR	TANK ASSY., FUEL.....	-	1	
9	20230	17611-045-670	CUSHION, FUEL TANK FRONT.....	2	2	
10	18640	17613-051-010	CUSHION, FUEL TANK REAR.....	1	1	
11	23143	17620-114-000	CAP, FUEL FILLER.....	1	1	
			(SUPERSEDED BY 17610-102-730)			
	35835	17610-102-730	CAP, SUB TANK.....	1	1	
12	00625	17631-001-000	PACKING, FUEL FILLER CAP.....	1	1	
13	32397	77100-937-000A	SEAT COMP.....	1	1	
14	15480	77205-286-000	RUBBER B, SEAT SETTING.....	2	2	
15	33034	81200-937-000	PIPE COMP., CARRY.....	1	1	
16	33600	86891-538-000	CLAMP RUBBER, JACK BAR A.....	2	2	
17	26281	87505-918-010	PLATE, CAUTION.....	1	1	
18	35678	87522-937-000	LABLE, CHOKE.....	-	1	
19	26935	87560-323-670B	MARK, DRIVE CAUTION.....	1	1	
20	32405	89210-937-000	WRENCH ASSY., SPARK PLUG.....	1	1	
21	18156	89217-045-670	BAR, HANDLE.....	1	1	
22	14543	92000-08016-0A	BOLT, HEX., 8X16.....	2	2	
23	15603	92000-08036-0A	BOLT, HEX., 8X36.....	2	2	
24	18833	92100-06016	N/A USE 92000-06016.....	-	-	
	05423	92000-06016	BOLT, HEX., 6X16.....	1	1	
25	18836	93500-04025-0A	SCREW, PAN, 4X25.....	1	1	
26		92500-06135-0B	NOT AVAILABLE, USE 93500-06135-02	-	-	
	25061	93500-06135-02	SCREW, 6X135.....	-	1	
27	05789	94021-06020	NUT, CAP, 6MM.....	1	1	
28	05907	94101-06000	WASHER, PLAIN, 6MM.....	1	1	
29	05897	94111-06000	WASHER, SPRING, 6MM.....	1	1	
30	05898	94111-08000	WASHER, SPRING, 8MM.....	4	4	

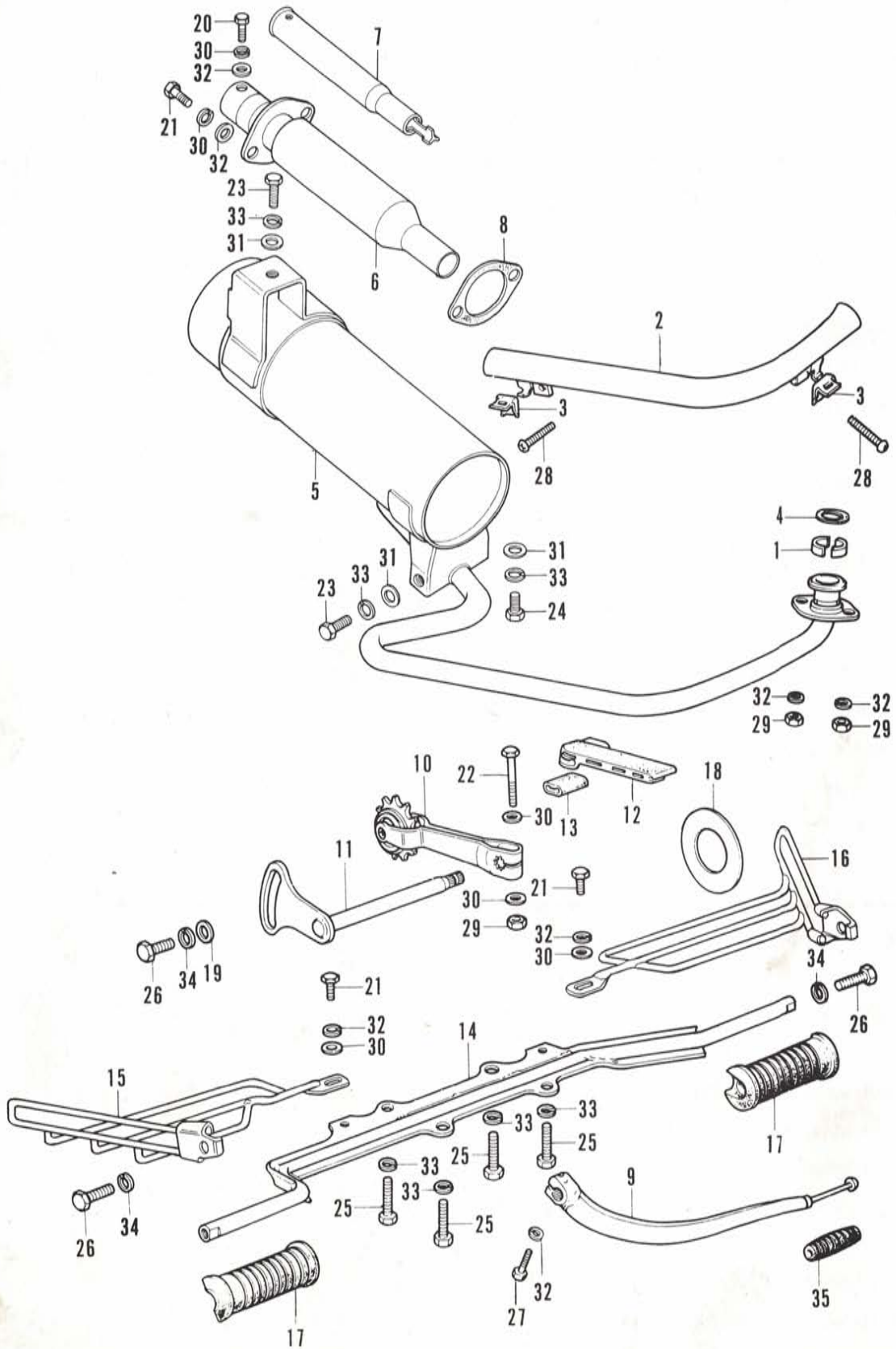
Exhaust Muffler • Step Bar



Exhaust Muffler . Step Bar

Ref. No.	H/C	Part Number	Description	ATC70	ATC70K1	Remarks
1	11633	18233-051-000	COLLAR, EXHAUST PIPE JOINT.....	2	-	
2	32356	18271-937-000	COVER, EXHAUST.....	1	-	
3	01909	18272-220-000	BAND B, EXHAUST COVER SETTING.....	2	-	
4	00636	18291-001-010	GASKET, EXHAUST PIPE.....	1	-	
5	32357	18300-937-000	MUFFLER COMP., EXHAUST.....	1	-	
			[SUPERSEDED BY 18300-937-010]			
	35674	18300-937-010	MUFFLER COMP., EXHAUST.....	1	-	
6	32358	18330-937-000	PIPE, DIFFUSER.....	1	-	
7	11353	18373-310-000	LID, MUFFLER.....	1	-	
8	11354	18374-310-000	PACKING, MUFFLER LID.....	1	-	
9	32359	24700-937-000	PEDAL, GEAR CHANGE.....	1	-	
10	23519	40500-918-0-0	TENSIONER COMP., CHAIN.....	1	-	
11	32362	40510-937-000	SHAFT COMP., TENSIONER.....	1	-	
12	32364	40526-937-000	SLIDER, UPPER CHAIN.....	1	-	
13	32365	40528-937-000	SLIDER, UNDER CHAIN.....	1	-	
14	32386	50610-937-010B	BAR COMP., STEP.....	1	-	
15	32387	50620-937-010B	GUARD, RIGHT STEP.....	1	-	
16	32388	50630-937-000B	GUARD, LEFT STEP.....	1	-	
17	32389	50661-937-000	RUBBER, STEP.....	2	-	
18	32400	87101-937-000	EMBLEM, RECOIL STARTER.....	1	-	
19	14886	95028-230-000	WASHER, 10.2X20.....	1	-	
20	05419	92000-06012	BOLT, HEX., 6X12.....	2	-	
21	05423	92000-06016	BOLT, HEX., 6X16.....	2	-	
22	31320	92000-06036	BOLT, HEX., 6X36.....	1	-	
23	05460	92000-06110	BOLT, HEX., 6X110.....	1	-	
24	17172	92000-08020-0A	BOLT, HEX., 8X20.....	4	-	
25	25212	92000-10020-0A	BOLT, HEX., 10X20.....	3	-	
26	29740	92100-06020	BOLT, HEX., 6X20.....	1	-	
27	33608	92200-05008	BOLT, HEX., 5X8.....	1	-	
28	14556	93500-05025-0A	SCREW, PAN, 5X25.....	2	-	
29	15606	94001-06000-0S	NUT, HEX., 6MM.....	4	-	
30	16733	94001-08000-0S	NUT, HEX., 8MM.....	1	-	
31	05905	94101-05000	WASHER, PLAIN, 5MM.....	1	-	
32	05907	94101-06000	WASHER, PLAIN, 6MM.....	4	-	
33	05909	94101-08000	WASHER, PLAIN, 8MM.....	1	-	
34	05896	94111-05000	WASHER, SPRING, 5MM.....	1	-	
35	05897	94111-06000	WASHER, SPRING, 6MM.....	8	-	
36	05898	94111-08000	WASHER, SPRING, 8MM.....	5	-	
37	05900	94111-10000	WASHER, SPRING, 10MM.....	3	-	
38	25569	95011-40000	RUBBER, CHANGE PEDAL.....	1	-	

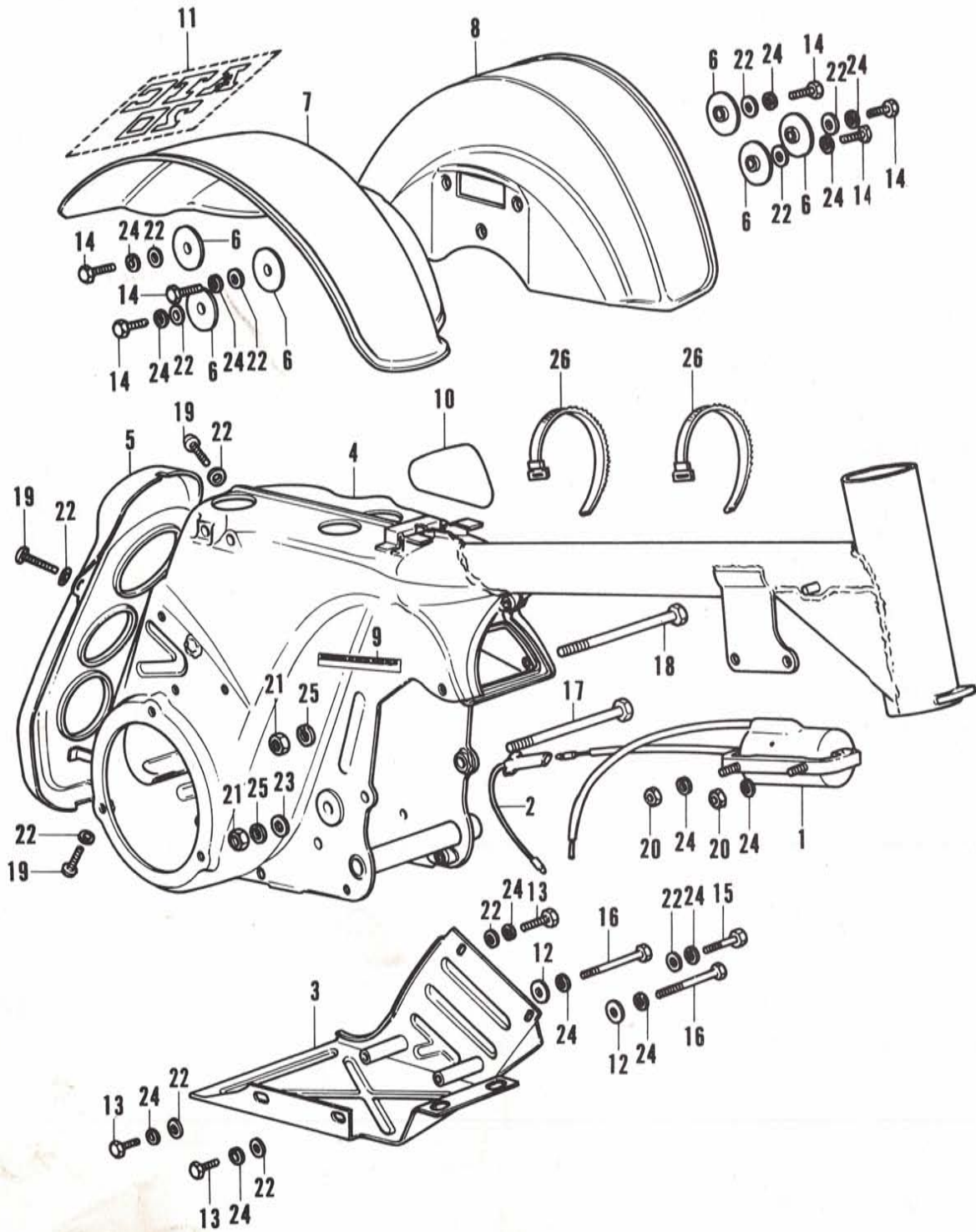
Exhaust Muffler · Step Bar



Exhaust Muffler . Step Bar

Ref. No.	H/C	Part Number	Description	ATC70	ATC70K1	Remarks
1	11633	18233-051-000	COLLAR, EXHAUST PIPE JOINT.....	-	2	
2	32356	18271-937-000	COVER, EXHAUST.....	-	1	
3	01909	18272-220-000	BAND B, EXHAUST COVER SETTING.....	-	2	
4	00636	18291-001-010	GASKET, EXHAUST PIPE.....	-	1	
5	36801	18300-937-020	MUFFLER COMP., EXHAUST.....	-	1	
6	36802	18315-937-000	ARRESTER, SPARK.....	-	1	
7	36803	18330-937-010	PIPE, DIFFUSER.....	-	1	
8	36804	18374-937-000	PACKING, ARRESTER.....	-	1	
9	32359	24700-937-000	PEDAL, GEAR CHANGE.....	-	1	
10	23519	40500-918-000	TENSIONER COMP., CHAIN.....	-	1	
11	32362	40510-937-000	SHAFT COMP., TENSIONER.....	-	1	
12	32364	40526-937-000	SLIDER, UPPER CHAIN.....	-	1	
13	32365	40528-937-000	SLIDER, UNDER CHAIN.....	-	1	
14	32386	50610-937-010B	BAR COMP., STEP.....	-	1	
15	35104	50620-937-020B	GUARD, RIGHT STEP.....	-	1	
16	35105	50630-937-010B	GUARD, LEFT STEP.....	-	1	
17	32389	50661-937-000	RUBBER, STEP.....	-	2	
18	32400	87101-937-000	EMBLEM, RECOIL STARTER.....	-	1	
19	14886	90528-230-000	WASHER, 10x2X20.....	-	1	
20	05415	92000-06008	BOLT, HEX., 6X8.....	-	1	
21	05419	92000-06012	BOLT, HEX., 6X12.....	-	4	
22	31320	92000-06036	BOLT, HEX., 6X36.....	-	1	
23	18102	92000-08012-0A	BOLT, HEX., 8X12.....	-	3	
24	14543	92000-08016-0A	BOLT, HEX., 8X16.....	-	1	
25	17172	92000-08020-0A	BOLT, HEX., 8X20.....	-	4	
26	25212	92000-10020-0A	BOLT, HEX., 10X20.....	-	3	
27	29740	92100-06020	BOLT, HEX., 6X20.....	-	1	
28	14556	93500-05025-0A	SCREW, PAN, 5X25.....	-	2	
29	15606	94001-06000-0S	NUT, HEX., 6MM.....	-	3	
30	05907	94101-06000	WASHER, PLAIN, 6MM.....	-	7	
31	05909	94101-08000	WASHER, PLAIN, 8MM.....	-	4	
32	05897	94111-06000	WASHER, SPRING, 6MM.....	-	8	
33	05898	94111-08000	WASHER, SPRING, 8MM.....	-	8	
34	05900	94111-10000	WASHER, SPRING, 10MM.....	-	3	
35	25569	95011-40000	RUBBER, CHANGE PEDAL.....	-	1	

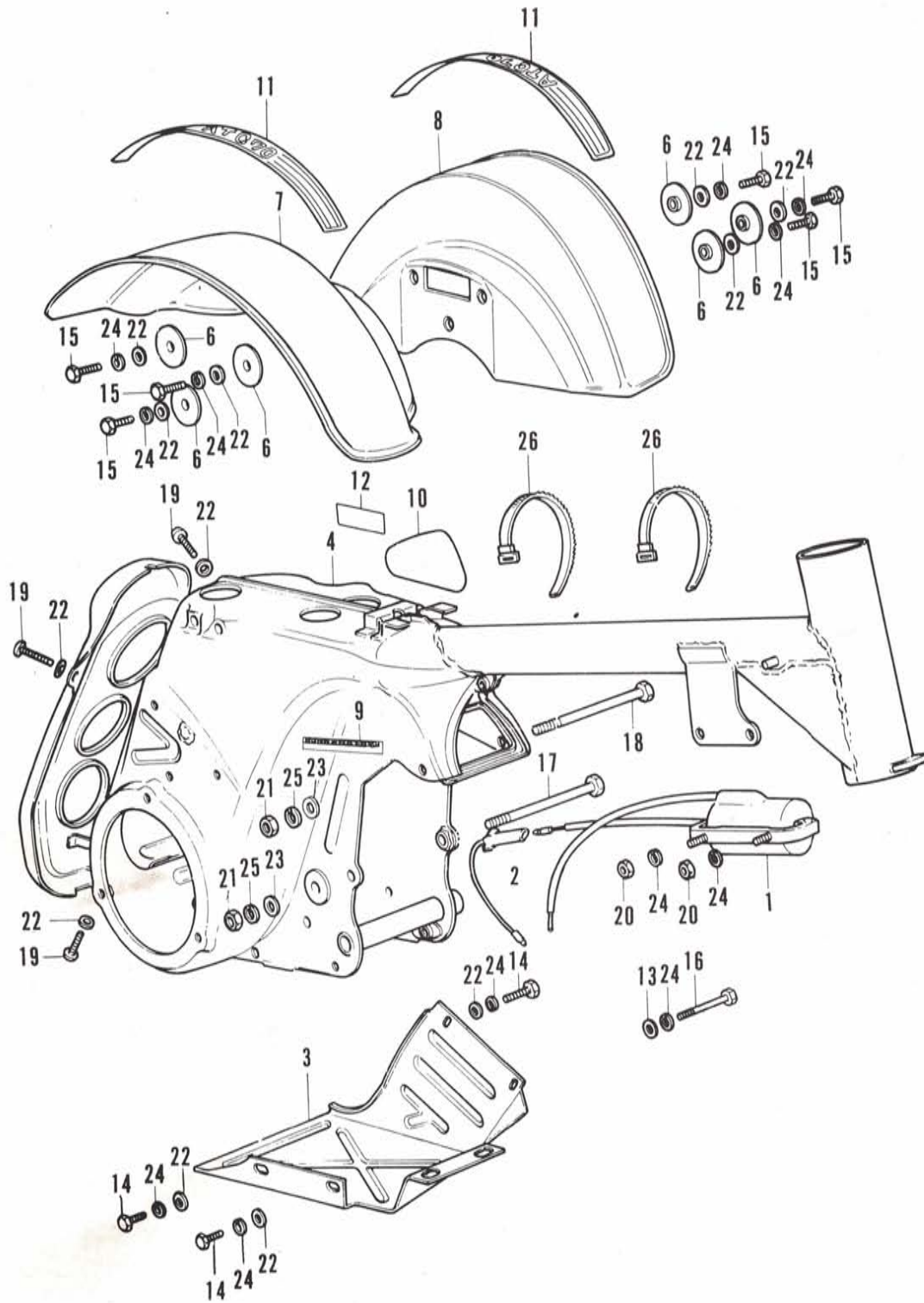
Frame Body • Rear Fender • Ignition Coil



Frame Body . Rear Fender

Ref. No.	H/C	Part Number	Description	ATC70	ATC70K1	Remarks
1	32360	30500-937-000	COIL ASSY., IGNITION.....	1	-	
2	32361	32110-937-000	CORD COMP., IGNITION.....	1	-	
3	32363	40524-937-000S	COVER, UNDER.....	1	-	
4	32383	50100-937-010B8	BODY COMP., FRAME.....	1	-	
5	32385	50201-937-010LH	COVER, REAR.....	1	-	
6	29937	64348-086-000	WASHER, FRONT COVER FIXING.....	6	-	
7	32398	80100-937-000B8	FENDER, RIGHT REAR.....	1	-	
8	32399	80200-937-000B8	FENDER, LEFT REAR.....	1	-	
9		87125-041-680	NOT AVAILABLE.....	-	-	
10	32401	87130-937-000	LABEL, CAUTION.....	1	-	
11	33035	87521-937-000	EMBLEM, RIGHT FENDER REAR.....	1	-	
12	14491	90545-292-000	WASHER, 6.5X20.....	2	-	
13	05419	92000-06012	BOLT, HEX., 6X12.....	3	-	
14	05423	92000-06016	BOLT, HEX., 6X16.....	6	-	
15	05438	92000-06035	BOLT, HEX., 6X35.....	1	-	
16	05448	92000-06055	BOLT, HEX., 6X55.....	2	-	
17	33609	92000-08110-OA	BOLT, HEX., 8X110.....	1	-	
18	33610	92000-08115-OA	BOLT, HEX., 8X115.....	1	-	
19	05745	93500-06016	SCREW, PAN, 6X16.....	3	-	
20	15606	94001-06000-0S	NUT, HEX., 6MM.....	2	-	
21	16733	94001-08000-0S	NUT, HEX., 8MM.....	2	-	
22	05907	94101-06000	WASHER, PLAIN, 6MM.....	13	-	
23	05909	94101-08000	WASHER, PLAIN, 8MM.....	1	-	
24	05897	94111-06000	WASHER, SPRING, 6MM.....	14	-	
25	05898	94111-08000	WASHER, SPRING, 8MM.....	2	-	
26	28814	95014-62300	BAND B3, WIRE.....	2	-	

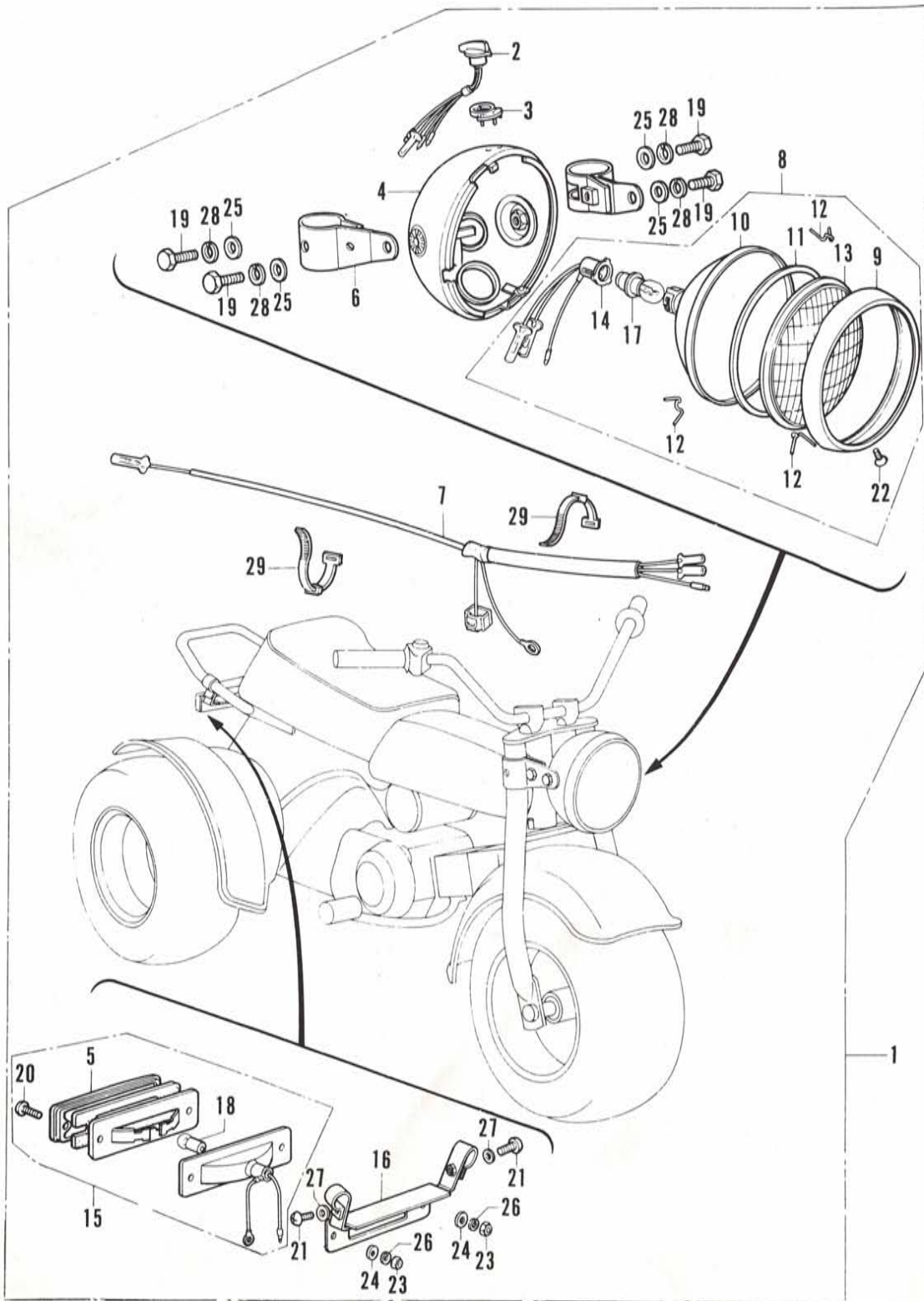
Frame Body · Rear Fender · Ignition Coil



Frame Body . Rear Fender

Ref. No.	H/C	Part Number	Description	ATC70	ATC70K1	Remarks
1	32360	30500-937-000	COIL ASSY., IGNITION.....	-	1	
2	32361	32110-937-000	CORD COMP., IGNITION.....	-	1	
3	36794	40524-937-010S	COVER, UNDER.....	-	1	
4	36795	50100-937-020TR	BODY COMP., FRAME.....	-	1	
5	36796	50201-937-030LH	COVER, REAR.....	-	1	
6	29937	64348-086-000	WASHER, FRONT COVER FIXING.....	-	6	
7	36797	80100-937-000TR	FENDER, RIGHT REAR.....	-	1	
8	36798	80200-937-000TR	FENDER, LEFT REAR.....	-	1	
9		87125-041-680	N/A.....	-	-	
10	32401	87130-937-000	LABEL, CAUTION.....	-	1	
11	36799	87521-937-010	EMBLEM, REAR FENDER.....	-	2	
12	36800	87541-937-000	MARK, TIRE CAUTION.....	-	1	
13	36964	90432-590-000	WASHER, SPECIAL, 6MM.....	-	1	
14	05419	92000-06012	BOLT, HEX., 6X12.....	-	3	
15	05423	92000-06016	BOLT, HEX., 6X16.....	-	6	
16	05441	92000-06040	BOLT, HEX., 6X40.....	-	1	
17	33609	92000-08110-0A	BOLT, HEX., 8X110.....	-	1	
18	33610	92000-08115-0A	BOLT, HEX., 8X115.....	-	1	
19	05742	93500-06012	SCREW, PAN, 6X12.....	-	3	
20	15606	94001-06000-0S	NUT, HEX., 6MM.....	-	2	
21	16733	94001-08000-0S	NUT, HEX., 8MM.....	-	2	
22	05907	94101-06000	WASHER, PLAIN, 6MM.....	-	12	
23	05909	94101-08000	WASHER, PLAIN, 8MM.....	-	2	
24	05897	94111-06000	WASHER, SPRING, 6MM.....	-	12	
25	05898	94111-08000	WASHER, SPRING, 8MM.....	-	2	
26	28814	95014-62300	BAND B3, WIRE.....	-	2	

Head & Tail Lights (Optional parts)



Head Light . Tail Light

Ref. No.	H/C	Part Number	Description	ATC70	ATC70K1	Remarks
1	35092	04300-937-810	LIGHT KIT, HEAD & TAIL.....	1	1	
2	24049	04302-918-000	SWITCH ASSY., LIGHTING.....	1	1	
3	24050	04303-918-000	RUBBER, LIGHTING SWITCH.....	1	1	
4	29049	04305-918-010B	CASE, HEADLIGHT.....	1	1	
5	26308	04306-918-000	LENS, TAILLIGHT.....	1	1	
6	24055	04504-918-000XW	STAY, HEADLIGHT.....	2	2	
7	35093	32100-937-810	HARNESS, WIRE.....	1	1	
8	24056	33100-061-810	LIGHT ASSY., HEAD.....	1	1	
9	35094	33101-061-810	RIM, HEADLIGHT.....	1	1	
10	28793	33104-028-003	REFLECTOR, HEADLIGHT.....	1	1	
11	28794	33105-028-003	PACKING, HEADLIGHT LENS.....	1	1	
12	28795	33108-028-013	SPRING, HEADLIGHT.....	4	4	
13	28796	33121-028-013	LENS, HEADLIGHT *STANLEY*.....	1	1	
14	28797	33130-051-690	SOCKET ASSY., HEADLIGHT.....	1	1	
15	29971	33700-918-670	LIGHT ASSY., TAIL.....	1	1	
16	35095	33791-937-811	PLATE, TAIL LAMP.....	1	1	
17	08538	34901-001-671	BULB, TAILLIGHT *6V 15/15W*.....	1	1	
18	04490	34902-259-000	BULB, DASH *12V 3W*.....	1	1	
19	21183	92000-08016-0B	BOLT, HEX., 8X16.....	4	4	
20	34792	93500-04020-0H	SCREW, PAN, 4X20.....	2	2	
21	34793	93500-06012-0B	SCREW, PAN, 6X12.....	2	2	
22	19743	93700-05008-0A	SCREW, OVAL, 5X8.....	1	1	
23	20968	94001-04000-0S	NUT, HEX., 4MM.....	2	2	
24	05904	94101-04000	WASHER, PLAIN, 4MM.....	2	2	
25	05910	94101-08200	WASHER, PLAIN, 8MM.....	4	4	
26	05895	94111-04000	WASHER, SPRING, 4MM.....	2	2	
27	05897	94111-06000	WASHER, SPRING, 6MM.....	2	2	
28	05898	94111-08000	WASHER, SPRING, 8MM.....	4	4	
29		95014-62100	N/A USE 95014-62200.....	-	-	
		95014-62200	N/A USE 95014-62300.....	-	-	
	28814	95014-62300	BAND B3, WIRE.....	2	2	

