

ENGINEER
OPERATOR'S
HANDBOOK

Narue Kongsjorden
Gen Del
Hythe Alberta.

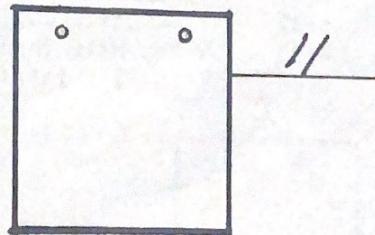
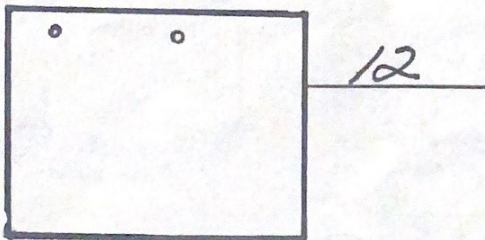
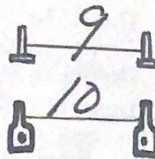
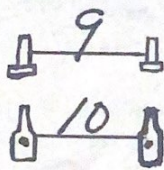
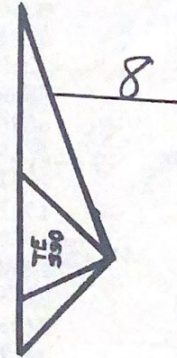
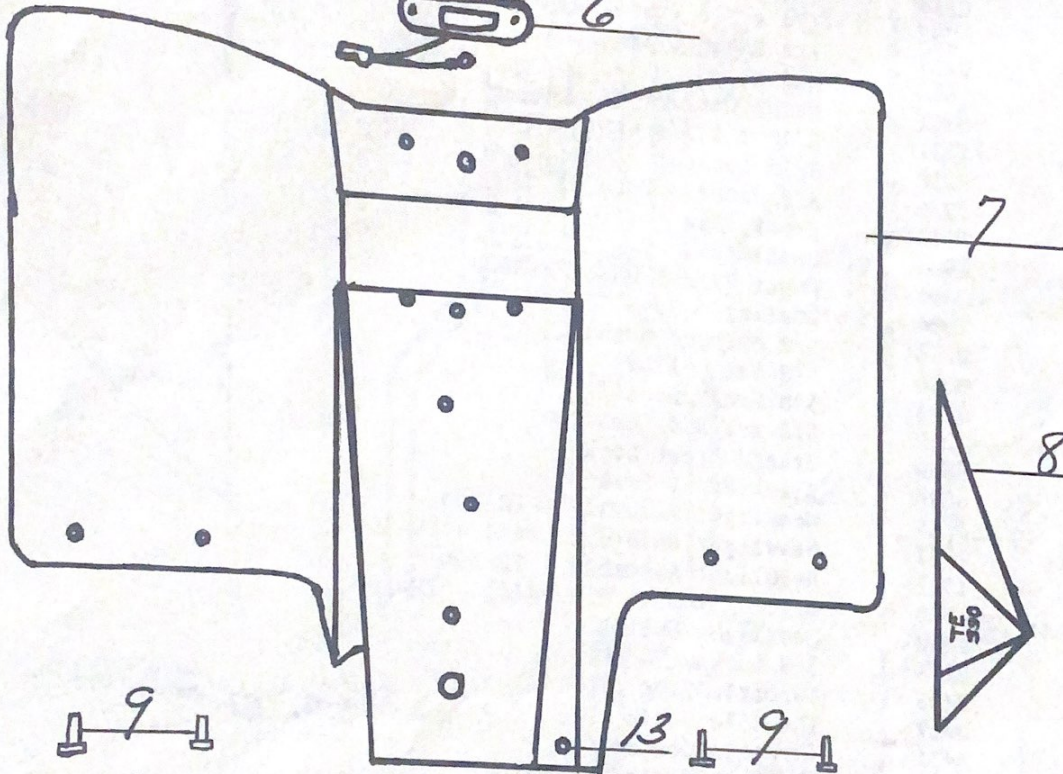
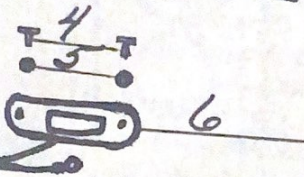
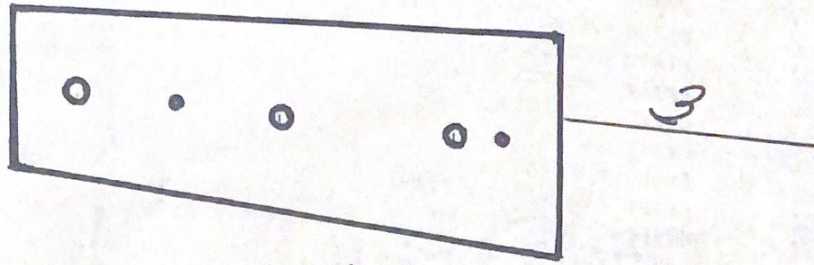
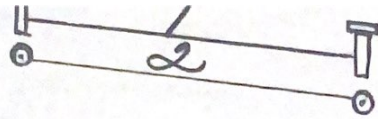


PARTS MANUAL

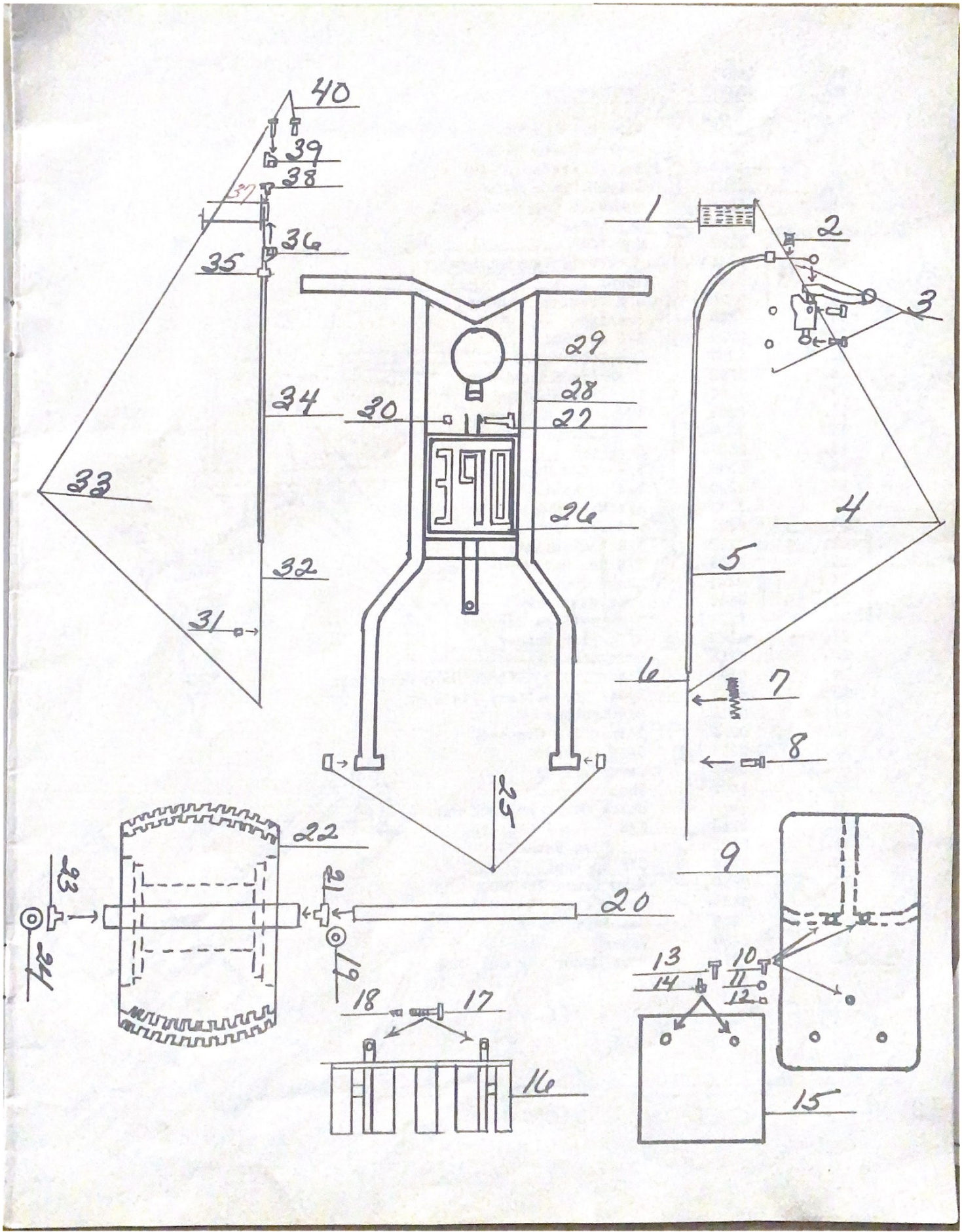
TE-390

TR-390

<u>REF. NO.</u>	<u>PART NUMBER</u>	<u>DESCRIPTION</u>
1.	0204	1/4 x 3/4 Capscrew
2.	0276	1/4 Flat Washer
3.	1103	Seat
4.	2242	10-24 x 1/2 Truss Head Bolt
5.	2201	10-24 Nut
6.	1329	Taillight Assembly
	1330	Taillight Bulb
	1331	Taillight Lens
7.	0856	Gray Easy Take Off Body
	0858	Orange Easy Take Off Body
8.	0726	TR-390 Left Side Body Decal
	0727	TR-390 Right Side Body Decal
	0728	TE-390 Left Side Body Decal
	0729	TE-390 Right Side Body Decal
9.	2226	1/4 x 1 Truss Head Bolt
10.	0268	1/4 Speed Clip
11.	0833	Mud Flap
12.	0834	Large Mud Flap
13.	2231	1/4 Wing Nut



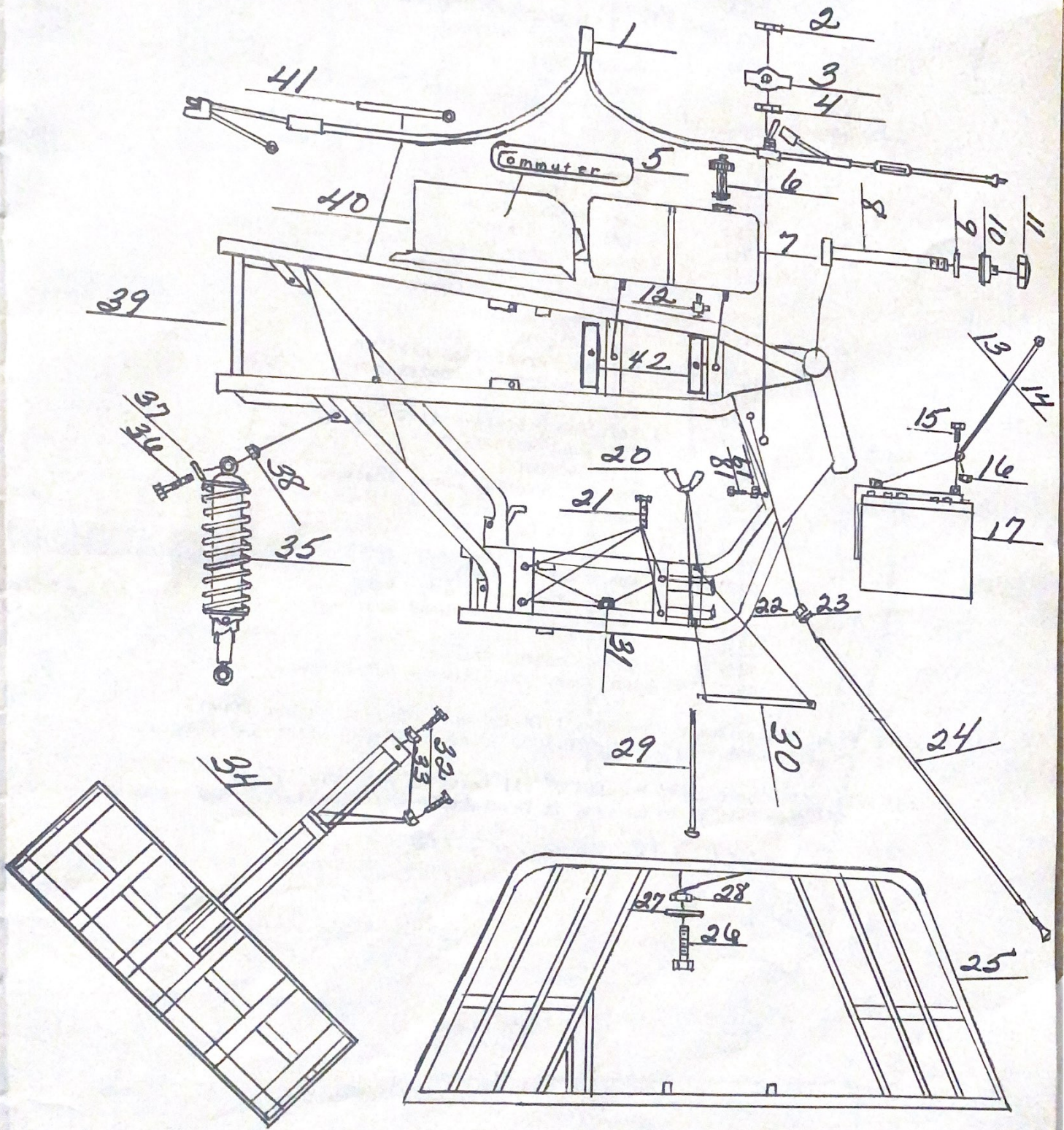
<u>REF. NO.</u>	<u>PART NUMBER</u>	<u>DESCRIPTION</u>
1.	0407	Dummy Grip
2.	0436	Brake Cable Brass Ball
3.	0433	Brake Handle & Mounting Bracket
4.	0418	Brake Control Assembly
5.	0421	Brake Sheathing
6.	0420	Brake Cable
7.	0308a	Brake Spring
8.	0302	Brake Pin W/Set Screw
9.	0814	Orange Front Fender
	0855	Gray Front Fender
10.	0204	1/4 x 3/4 Capscrew
11.	2200	1/4 Fender Washer
12.	0214	1/4 Locknut
13.	0282	1/4 x 3/4 Truss Head Bolt
14.	0268	1/4 Speed Clip
15.	0833	Mud Flap
16.	0861	Front Carrier
17.	2221	5/16 x 1 3/4 Capscrew
18.	0258	5/16 Locknut
19.	0224	5/8 Machine Bushing
20.	1512	Front Axle
21.	1004 1016	Bearings
22.	0906 0912	Front Tire & Wheel Assembly
23.	1004 1018	Bearing
24.	0224	5/8 Machine Bushing
25.	0226	5/8 Set Collar
26.	0713	390 Front Decal
27.	2219	3/8 x 1 3/4 Capscrew
28.	0850	Orange Front Fork
	0857	Black Front Fork
29.	1338	Headlight Assembly - TR-390
	1337	Headlight Bulb G.E. 4444 - TR-390
	1327	Headlight Assembly - TE-390
	1328	Headlight Bulb G.E. 4441 - TE-390
	1336	Headlight Switch
30.	0218	3/8 Locknut
31.	0405	Throttle Stop
32.	0417	Throttle Cable
33.	0434	Throttle Control
34.	0428	Throttle Cable Sheathing
35.	0438	Throttle Sheathing Connector
36.	0444	Bottom Half Throttle Clamp Cover
37.	0441	Throttle Twist Grip
38.	0437	Throttle Cable Brass Ball
39.	0443	Top Half Throttle Clamp Cover
40.	0445	10-32 x 1 1/4 Throttle Control Bolts



<u>REF. NO.</u>	<u>PART NUMBER</u>	<u>DESCRIPTION</u>
1.	1335	Wire Harness TE-390 & TR-390
2.	1341	Switch Plate Nuts
3.	1342	Switch Plate
4.	1341	Switch Plate Nuts
5.	0714	Commuter Gas Tank Decal
6.	1207	Gas Gauge
7.	1209	Gas Tank
	1216	Motorycle Type Gas Tank
8.	0206	Pivot Bolt
9.	0224	5/8 Machine Bushing
10.	1004	Bearing
11.	0229	5/8 Locknut
12.	1202	Gas Tank Valve
13.	1339	Negative Ground Wire
14.	1340	Positive Wire
15.	0204	1/4 x 3/4 Capscrew
16.	2220	1/4 Locknut
17.	0527	Battery
18.	0204	1/4 x 3/4 Capscrew
19.	2220	1/4 Locknut
20.	2231	1/4 Wing Nut
21.	0201	3/8 x 1 1/2 Capscrew
22.	2217	3/8 Lockwasher
23.	2216	3/8 Hex Nut N.F.
24.	0442	Choke Control
25.	0848	Foot Platform
26.	2221	5/16 x 1 3/4 Capscrew
27.	0293	5/16 Flat Washer
28.	0258	5/16 Locknut
29.	0554	1/4 x 7 1/2 Battery Hold Down Bolt
30.	0555	Nylon Rod Battery Tie Down
31.	0218	3/8 Locknut
32.	0295	5/16 x 3/4 Capscrew
33.	0258	5/16 Locknut
34.	0853	Rear Carrier
35.	1401	Shocks
	1403	Shock Strut Replacement
36.	2219	3/8 x 1 3/4 Capscrew
37.	0222	3/8 Flat Washer
38.	0218	3/8 Locknut
39.	0860	Main Frame TE-390
	0854	Main Frame TR-390
40.	1208	Gas Tank Cover
41.	2230	Ty-Rap
42.	1217	Foam Under the Gas Tank

1318

Gas Cap

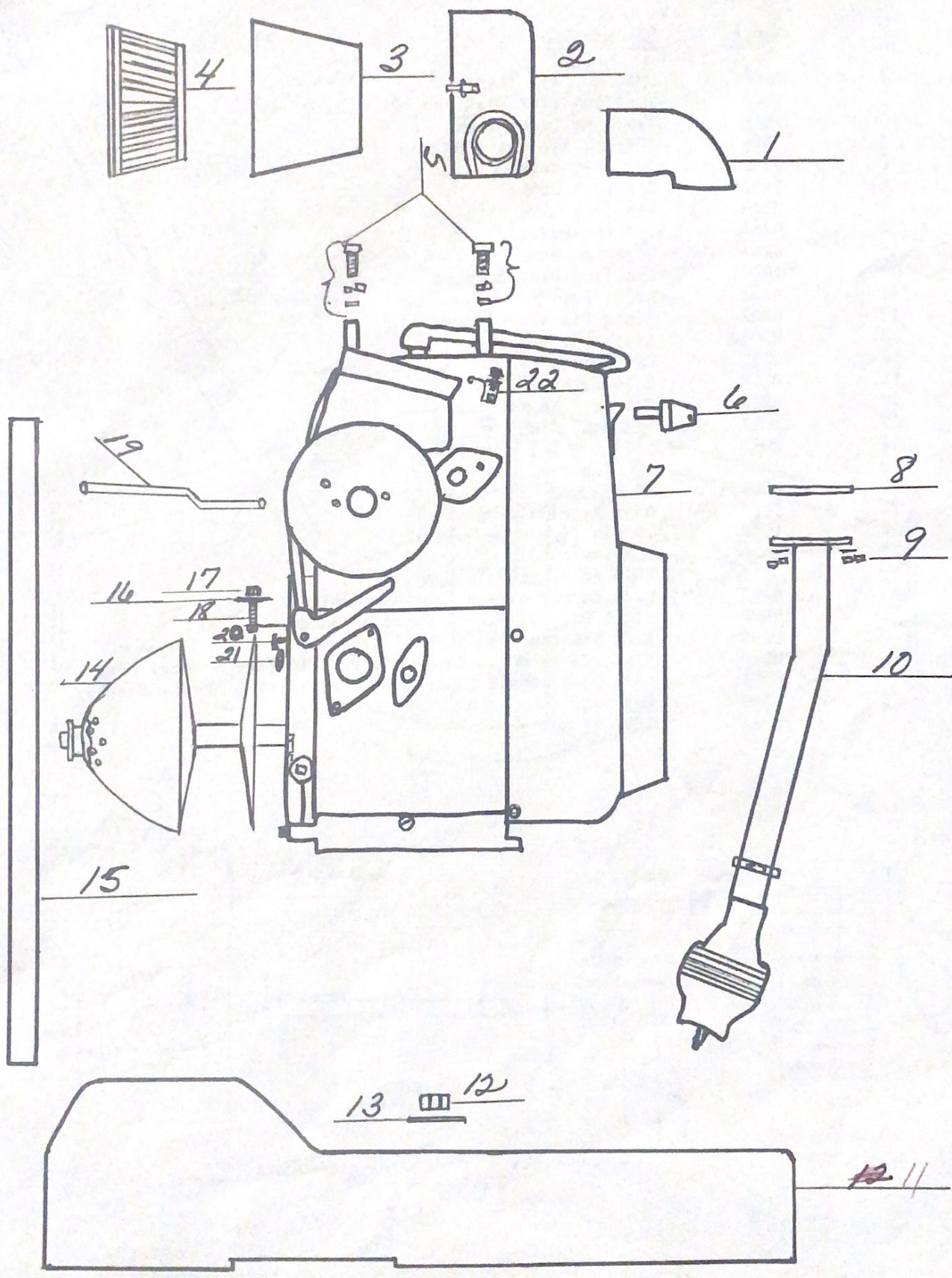


<u>REF. NO.</u>	<u>PART NUMBER</u>	<u>DESCRIPTION</u>
1.	0542	Air Cleaner Extension Hose
2.	0551	Air Cleaner Housing
3.	0550	Pre-Cleaner
4.	0549	Air Filter
5.	0552	Engine Tie Down Bolts
6.	0548	Engine Key
7.	0544	Kawasaki KF-82 Electric Start Engine
	0543	Kawasaki KF-82 Recoil Start Engine
8.	0553	Exhaust Gasket
9.	0299	Exhaust Pipe Nuts
10.	0541	Muffler & Exhaust Pipe
11.	0645	Torque Converter Water Cover Backing Plate
	0646	Torque Converter Water Cover Front
	0649	Torque Converter Cover
12.	0293	5/16 Flat Washer
13.	0258	5/16 Locknut
14.	153541*	Salsbury Front Transmission
	153723*	Salsbury Front Transmission
15.	0638	Belt
	0654**	Belt for Overdrive Clutches
16.	0293	5/16 Lock Washer
17.	0258	5/16 Locknut
18.	0651	Torque Converter Cover Bracket
19.	1206	Gas Hose
20.	2243	3/8 x 3/4 Capscrew
21.	2244	3/8 Star Washer
22.	0440	Brake Cable Bracket
	0435	Choke Cable Sheathing Clamp
	2242	10-24 x 1/2 Truss Head Bolt
	2201	10-24 Nut
	0439	Choke Control Bracket
23.	0547	Auxiliary Pod Filter - Not Pictured

* 153541 Front Transmission Used on all TR-390 up to Serial Number 800465.
 * 153723 Front Transmission Used on TE-390. Used on TR-390 after SN# 800464.

** 0654 Belt - This belt is to be used on all Kawasaki Electric Bikes.
 This belt is to be used on Kawasaki Recoil Bikes after SN#. 800464.

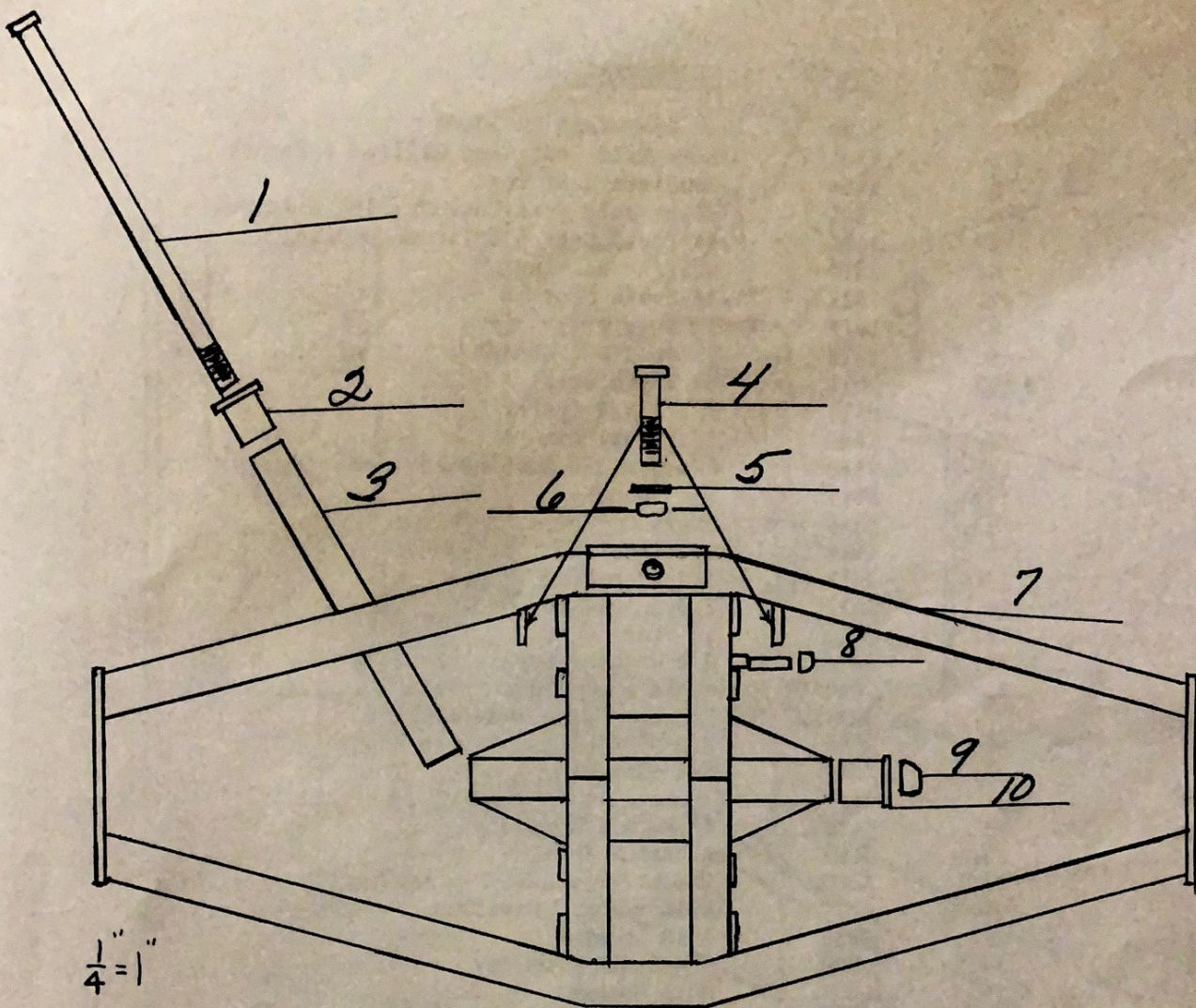
0656 belt Aug 24.15



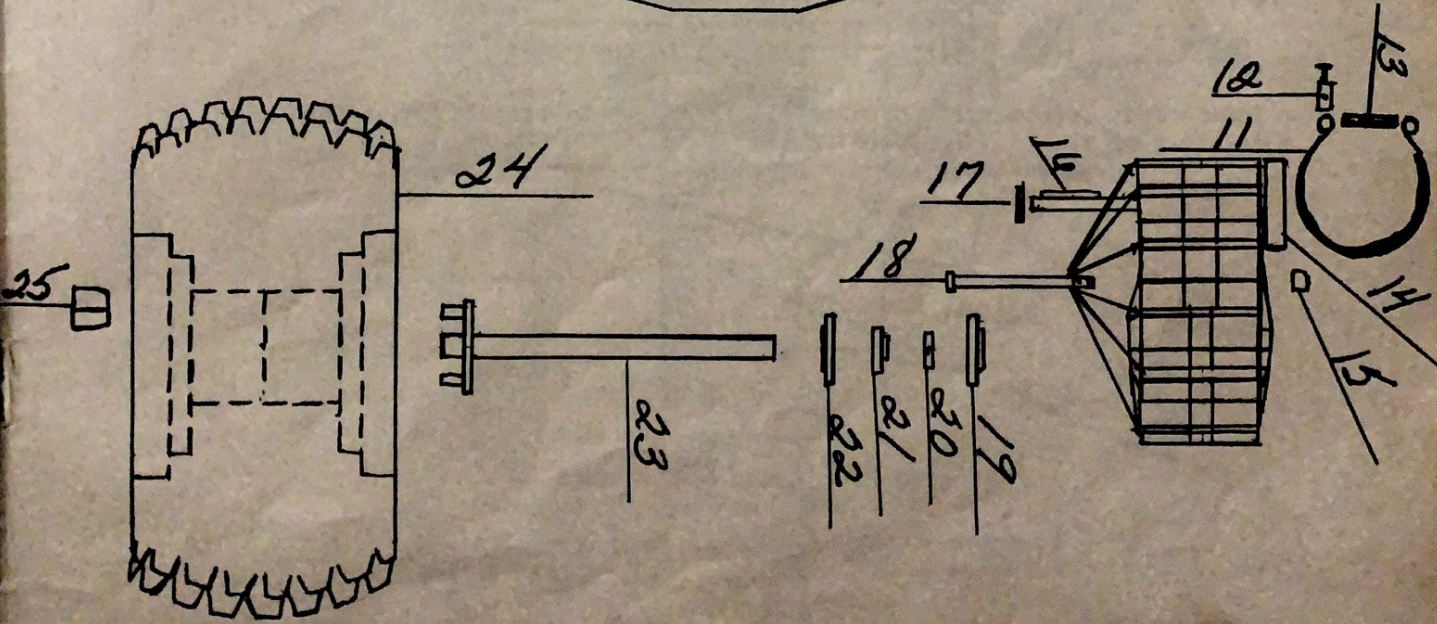
<u>REF. NO.</u>	<u>PART NUMBER</u>	<u>DESCRIPTION</u>
1.	0262	7/16 x 9 1/2 Bolt
2.	1006	Trailing Link Bushing
3.	1510	Trailing Link Shaft
4.	2206	3/8 x 2 1/4 Capscrew
5.	0222	3/8 Flat Washer
6.	0263	3/8 Locknut
7.	0846	Trailing Link
8.	0263	3/8 Locknut
9.	0264	7/16 Locknut
10.	1006	Trailing Link Bushing
11.	0303	Brake Band
12.	0302	Brake Pin W/Set Screw
13.	0308a	Brake Spring
14.	0307	Brake Drum
15.	0258	5/16 Locknut
16.	0228	3/16 x 2 Key
17.	1617	3/4 Snap Ring
18.	2227	5/16 x 4 1/2 Capscrew
19.	1009	1" Flange
20.	1008	1" Collar
21.	1007	Rear Axle Bearing
22.	1009	1" Flange
23.	1516	Rear Axle
	1519	Rear Axle - 5 Bolt Hub
24.	0903	Rear Knobby Tire & Wheel Assembly
	0904	Right Rawhide Tire & Wheel Assembly
	0905	Left Rawhide Tire & Wheel Assembly
	0910	Right 26-12:00-12 Super Terro Grip Tire & Wheel Assembly
	0911	Left 26-12:00-12 Super Terro Grip Tire & Wheel Assembly
25.	0238	Lug Nut
	2241	7/8 Lug Nut

25

1/2" = 1"



$\frac{1}{4}'' = 1''$

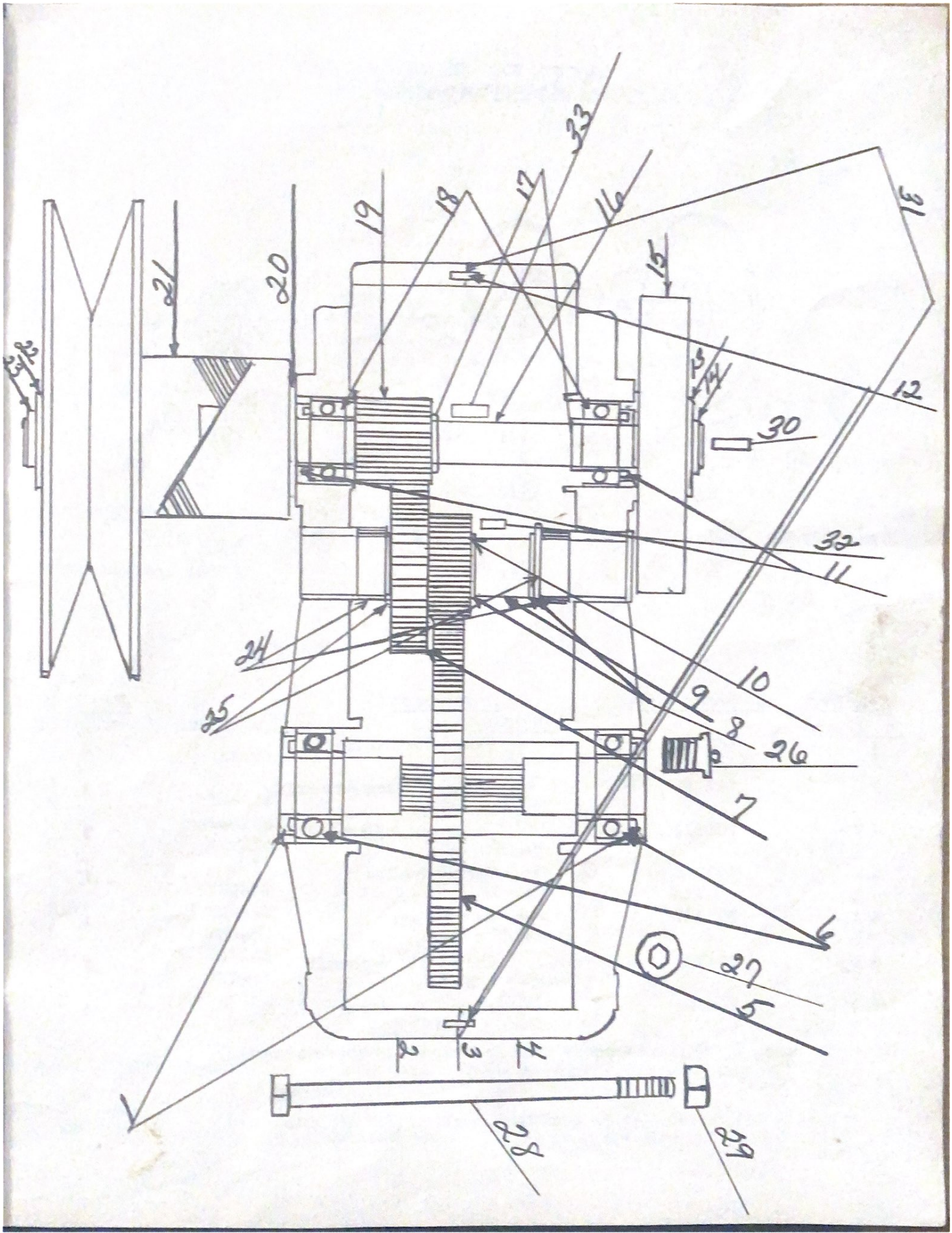


$\frac{1}{8}'' = 1''$

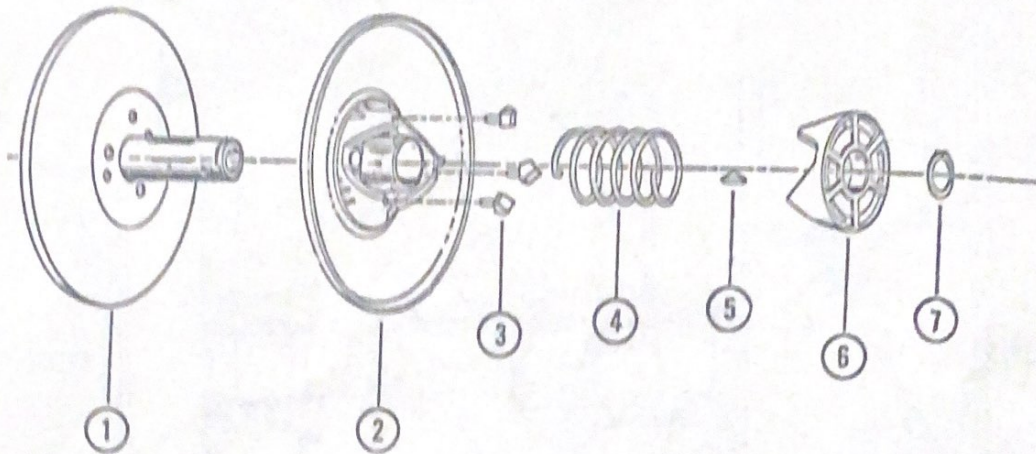
<u>REF. NO.</u>	<u>PART NUMBER</u>	<u>DESCRIPTION</u>
1.	1609	1" Rear Seal CR 10049
2.	1606	Left Half Gear Case Drilled & Tapped
3.	1604	Complete Gear Box
4.	1605	Right Half Gear Case Drilled & Tapped
5.	1623	64 Tooth Gear & Splined Coupling
6.	1610	Rear 1" Bearing
7.	1622	34 Tooth Gear
8.	1616	1" Snap Ring
9.	1618	Secondary 1" Shaft
10.	1621	18 Tooth Gear
11.	0313	3/4 x 3/8 Spacer
12.	1608	5/32 Roll Pin
13.	2210	3/4 Machine Bushing 18 Gauge
14.	1617	3/4 Snap Ring
15.	0307	Brake Drum
16.	1619	3/4 Input Shaft
17.	1617	3/4 Snap Ring
18.	1612	3/4 Input Bearing
19.	1620	13 Tooth Gear
20.	2209	3/4 Machine Bushing 16 Gauge
21.	206460*	Comet Rear Transmission
	143512 *	Salsbury Rear Transmission
22.	2209	3/4 Machine Bushing 16 Gauge
23.	1617	3/4 Snap Ring
24.	1611	1" Needle Bearing
25.	1615	1" Machine Bushing
26.	1601	Breather
27.	1602	Check Plug
28.	2227	5/16 x 4 1/2 Capscrew
29.	0258	5/16 Locknut
30.	0309	3/4 Brake Drum Key
31.	1607	Main Gasket
32.	1614	1/8 x 1/8 Key
33.	1613	3/16 x 3/16 Key

* 206460 Rear Transmission Used on all TR-390 up to Serial Number 800465.

* 143512 Rear Transmission Used on all TE-390.
Used on TR-390 After SN# 800464.



MODEL 500 DRIVEN PULLEY
ILLUSTRATED PARTS LIST



Assembly No. 143512*

<u>Item No.</u>	<u>Salsbury P/N</u>	<u>Description</u>	<u>Qty Per Unit</u>
1	602186	Fixed Face & Hub	1
2	602188	Movable Face Assembly	1
3	703831	Slipper - Cam	3
4	703246	Spring (yellow)	1
5	901687	Key - Cam	1
6	704332	Cam - 32° (ground)	1
7	900009	Ring - Retaining	1

Note: Indented description denotes item is included in above assembly.

* Used on All TE-390. It is also used on all TR-390 after SN# 800464.