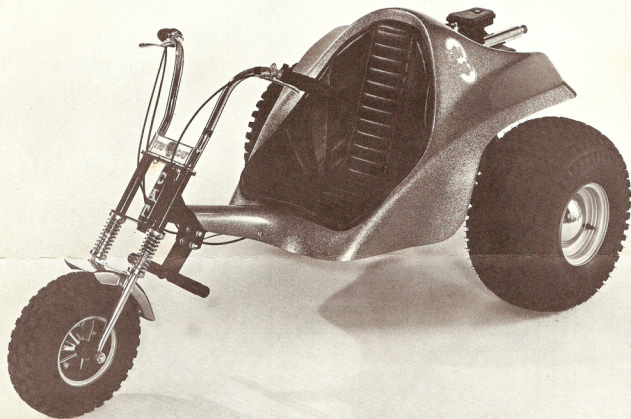


IMPORTANT— DO NOT THROW AWAY OR DISCARD, THIS PAGE
MAY BE USED TO ORDER PARTS IN THE FUTURE.



THIS VEHICLE IS BUILT WITH PRECISION. TREAT IT
WITH CARE AND IT WILL SERVE YOU WELL.



PRINTED IN USA

TRI-CAT

ASSEMBLY • OPERATING INSTRUCTIONS • PARTS LIST

Model R 8501

**HPE
MUSKIE**

225 ACACIA ST., COLTON, CALIF. 92324
38 COURTRIGHT AVE., WILKES BARRE, PA. 18703

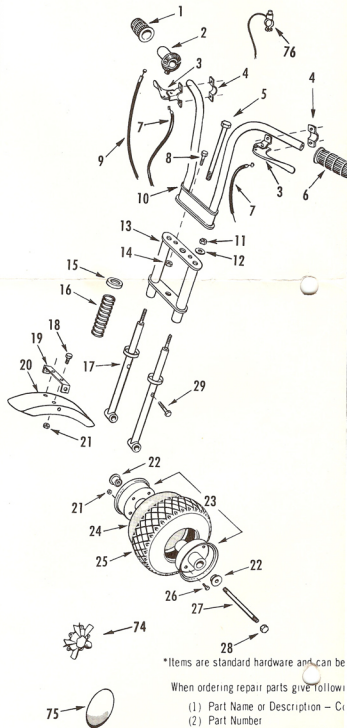
A SUBSIDIARY OF AMERICAN CEMENT CORPORATION

OldMiniBikes.com

REPAIR PARTS LIST

Key	Part No.	Description
1	900-1021	Throttle Grip
2	901-151	Throttle Control
3	900-1034	Brake Lever—2 Req.
4	900-1076	Brake Lever Bracket—2 Req.
5	902-1010	Fork Shaft
6	900-1022	Hand Grip
7	900-1162	Brake Cable—2 Req.
8	902-1015	5/16-18 x 3/4" Hex Hd. Bolt—2 Req.
9	904-1023	Throttle Cable
10	901-208	Handle Bar
11	902-2009	Flange Lock Nut—2 Req.
12	902-3500	Washer, Rubber—2 Req.
13	901-299	Fork (Upper)
14	902-2007	5/16-18 Hex Lock Nut—2 Req.
15	901-1068	Cup—2 Req.
16	901-9011	Suspension Spring—2 Req.
17	901-259	Fork (Lower)
18	*120854	1/4-20 x 5/8" Hex Hd. Bolt—2 Req.
19	901-1108	Stabilizer Bracket
20	901-265	Front Fender
21	902-2001	1/4-20 Hex Lock Nut—9 Req.
22	900-1002	Bearing—4 Req.
23	901-127	Front Wheel, inc. Key 21, 26—5 Req.;; Key 22—2 Req.
24	900-1029	Tube—Front Tire
25	900-1078	Tire—Front
26	*120706	1/4-20 x 1/2" Hex Hd. Bolt—5 Req.
27	902-1021	Front Axle
28	902-2003	5/8-18 Hex Lock Nut—2 Req.
29	*121913	1/4-20 x 1-1/4" Hex Hd. Bolt—2 Req.
30	900-1024	Foot Rest Cover—2 Req.
31	904-105	Foot Rest Bracket
32	902-1017	5/16-18 x 3/4" Hex Serrated Flange Screw—16 Req.
33	902-2008	5/16-18 Hex Serrated Flange Nut—24 Req.
34	902-1024	1/4-20 x 5/8" Carriage Bolt—6 Req.
35	902-2016	1/4-20 Hex Serrated Flange Nut—6 Req.
36	904-103	Frame Assy.
37	904-106	Body, inc. Key 38
38	904-1040	Seat
39	902-1014	5/16-18 x 1-1/2" Hex Hd. Bolt—4 Req.
40	904-1008	Differential
41	904-1018	Flange—8 Req.
42	904-1017	Bearing—4 Req.
43	904-1016	Collar—4 Req.
44	*902-2004	3/8-16 Hex Nut—4 Req.
45	904-1046	Cable Guide
46	904-1047	Cable Lock
47	*902-1026	3/8-16 Hex Hd. Bolt—2 Req.
48	904-1048	Brake Band—2 Req.
49	904-1038	Key 1/4 x 2"—4 Req.
50	904-1049	Brake Hub—2 Req.
51	904-108	Chain
52	904-1039	Master Link-Chain
53	901-1116	Bearing Plate—2 Req.
54	900-1111	Bearing—2 Req.
55	900-1121	Collar—4 Req.
56	904-1035	Sprocket
57	900-1040	Key 3/16" x 3/4"
58	904-1001	Jackshaft
59	904-1043	Driven Shiv
60	900-1172	Key 3/16" x 2"—2 Req.
61	904-1013	Wheel—2 Req.
62	902-2015	3/4-16 Hex Lock Nut—2 Req.
63	904-1030	Tire (Rear)—2 Req.
64	904-1022	Engine
65	904-1019	Spark Arrestor

66	900-1158	Driver Shiv
67	904-1042	Belt
68	*446363	3/8 Flat Washer
69	902-1022	3/8-24 x 1-1/4" Hex Hd. Scre
70	904-7005	Instruction Manual (Not Ill.)
71	900-1036	Cable Stop, Throttle
72	900-1037	Cable Housing Stop, Throttle



*Items are standard hardware and can be

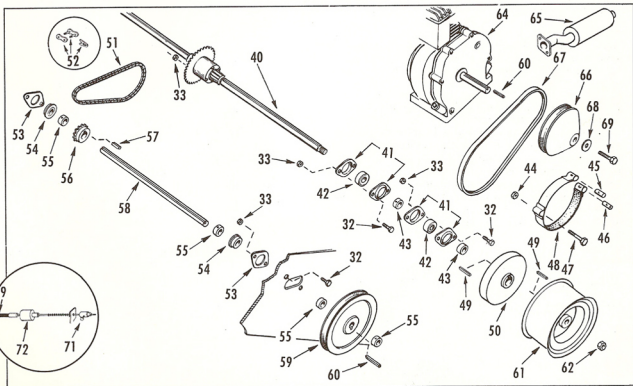
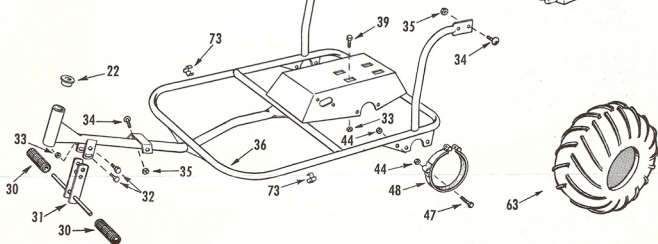
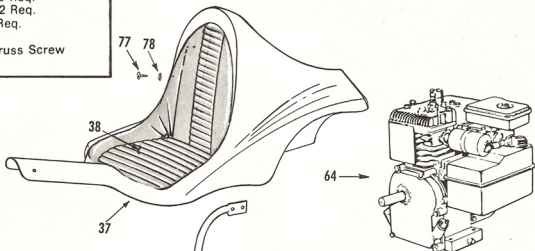
When ordering repair parts give follow:

- (1) Part Name or Description - Cr
- (2) Part Number
- (3) Model Number and Serial Numt

R 8501

PARTS ILLUSTRATION

73	900-1013	Cable Clip—6 Req.
74	901-131	Mag Insert—2 Req.
75	904-1020	Hub Cap—2 Req.
76	904-1051	Switch
77	902-4008	No. 6 x 3/4" Truss Screw
78	902-3023	Washer



secured locally.
 ng information:
 ilor
 er