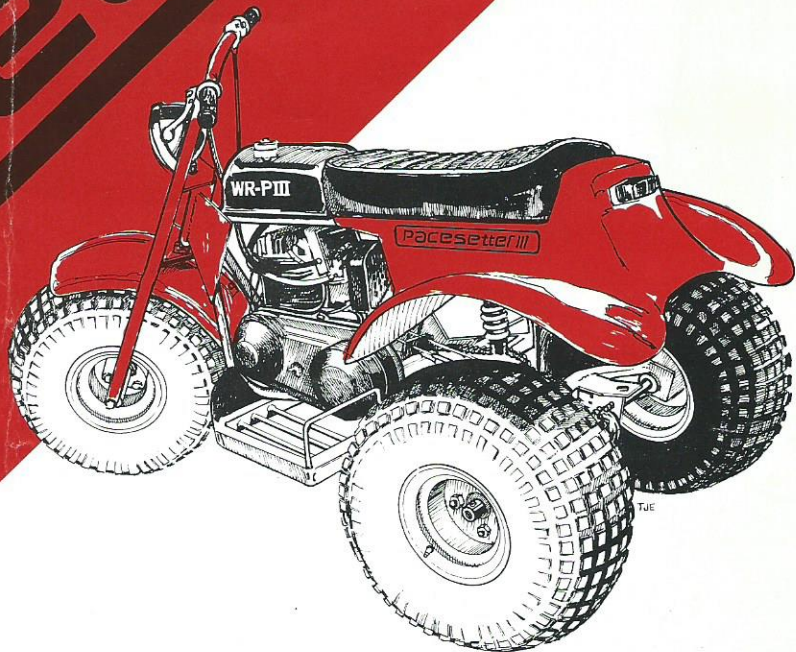


Pacesetter



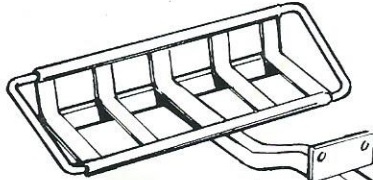
Manufactured by:

pacesetter enterprises, inc.

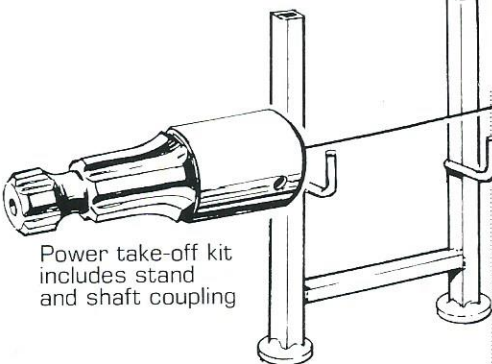
p.o. box 309 Cascade, Iowa 52033

319/852-3286

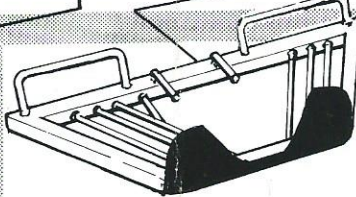
OPTIONS



Rear-mount heavy duty cargo carrier

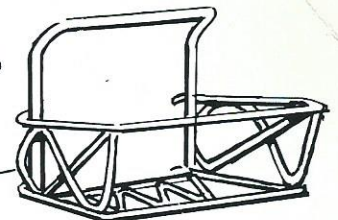
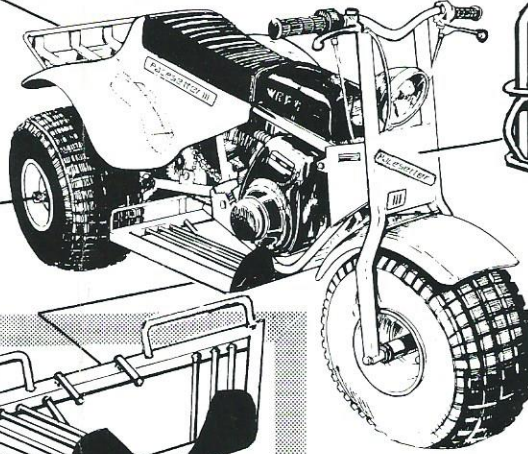


Power take-off kit includes stand and shaft coupling

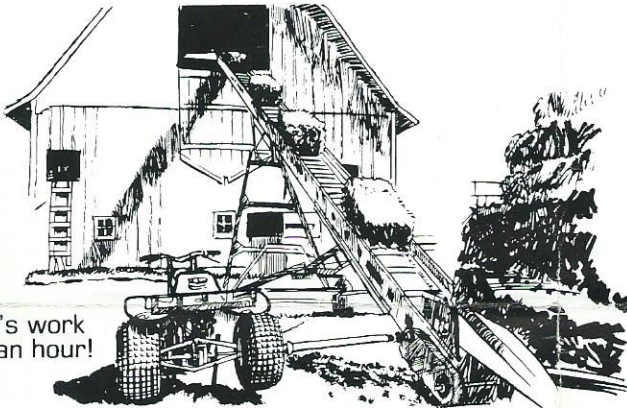


STANDARD

Brush-deflecting foot platform mounts under pegs



Front-mount luggage rack

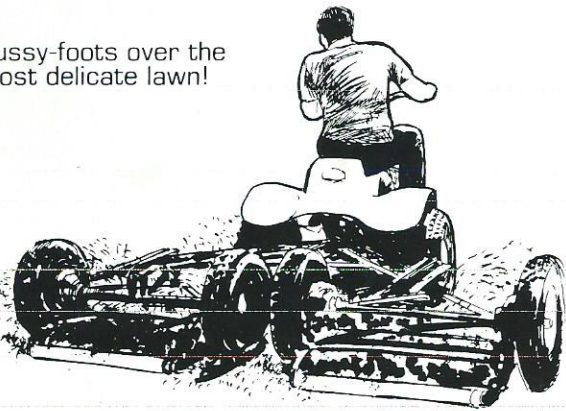


Puts in a full day's work for just pennies an hour!



Makes molehills out of mountains!

Pussy-foots over the most delicate lawn!



Performance in snow will amaze you!

**the
fun cycle
built for
all terrains,
all seasons.**

ENGINE

Make - Wisconsin Robin
Type - 4 cycle, single-cylinder
Displacement - 250 c.c.
Output - 7.5 HP at 4500 RPM

TRANSMISSION

Type - Torque Converter (torque sensing)
Clutch - Automatic
Ratio - 31 to 1 in low, to 8 to 1 in high

PERFORMANCE

Max. speed - approx. 40 mph
Climbing Ability - 40° grade
Load Capacity - 400 lbs.
Braking Distance - 22 ft. at 20 mph

DIMENSIONS

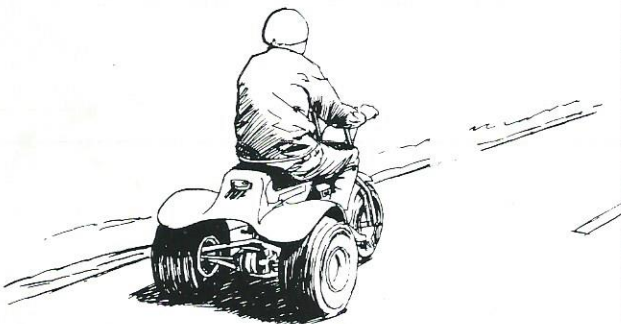
Weight - 225 lbs.
Length - overall - 66"
Width - overall - 39-1/2"
Wheel Base - 45"
Handle Bar Height - 40-1/2"
Seat Height - 30"
Ground Clearance - 9"
Fuel Tank Capacity - 1-1/2 gals.
Oil Capacity - 1-1/2 pts.

FRAME

Type - Tubular, double cradle
Suspension: Front - Floatation Tire
Rear - Swing Arm
Tire Size - 21 x 11-00 - 8

STANDARD EXTRAS

Hi-Lo Headlight
Tail & Brake Light
Foot Platform
Rear Shocks
Trailer Hitch
Engine-Kill Button



Gets you where you're going - in a hurry!

MADE TO LAST