

Blocking-Oscillator Senders

Technical Data

Electrical connection:

4-pole, Insulated Return

Sensor supply:

- Voltage: 8 V to 15 V or 30
- Current: 12 mA or 14 m

Operating temperature:

-40° C to +130° C

Duty cycle:

$(t_{on} + t_{off})/t_{on} = 1.43$ to 3.33

Teeth sequence frequency:

400 Hz

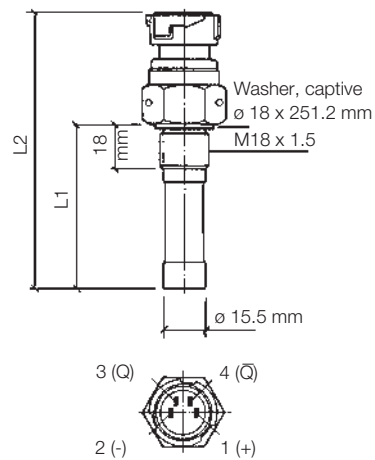
Distance sensor – pulse wheel:

0.3 mm to 1.4 mm

Dimensions

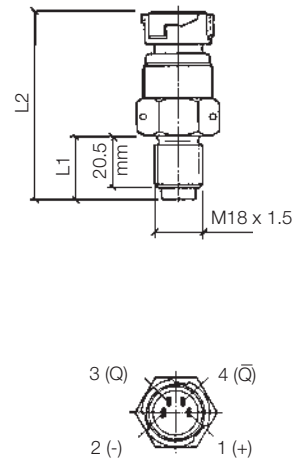
Form A

Bayonet connector
Blade connector 3 x 0.8 mm (4x)



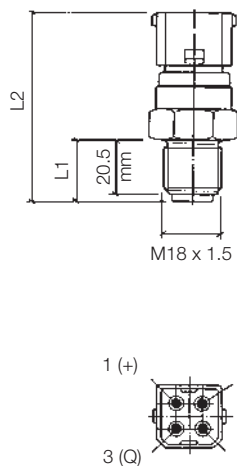
Form B

Bayonet connector
Blade connector 3 x 0.8 mm (4x)



Form C

Special push-on connector



Form D

Bayonet connector
Blade connector 3 x 0.8 mm (3x)

