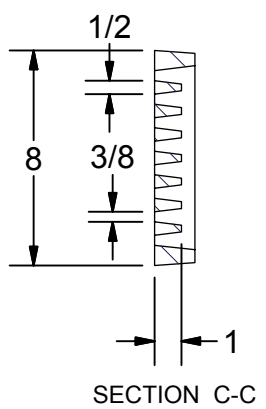
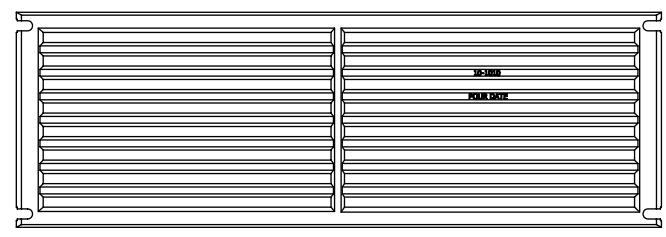
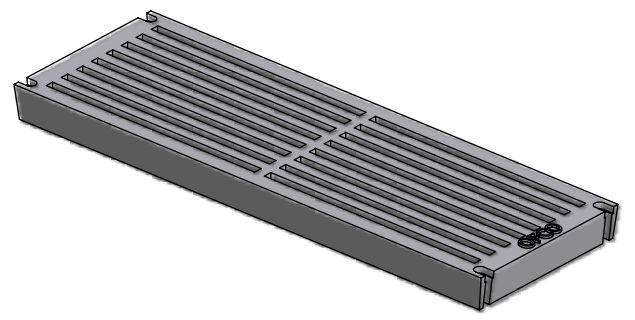


SECTION D-D



SECTION C-C




BACK

NOTES:
1. STANDARD BLACK PAINT

DOC APPVD BY: DATE: DWN: CM 06/25/2007 CHKD:

PARTS LIST	
MATL: DI ASTM A536 CL80-55-06	
APX WT. 30 LBS.	
TOLERANCES:	
X.X = ± .1	X.XXX = ± .03
X.XX = ± .06	FRAC = ± 1/16
	∇ = ± .2

 OLYMPIC FOUNDRY INC.	
TITLE 8" X 24" X 1 1/2" STYLE "Q" TRENCH GRATE	
RATING: H-20 & ADA	PART NO. 10-1010
REV:	REV -
REV:	
REV:	
DWG NO: 10-1010 T248 ADA Q CAT	SCALE: N/A SH 1 OF 2