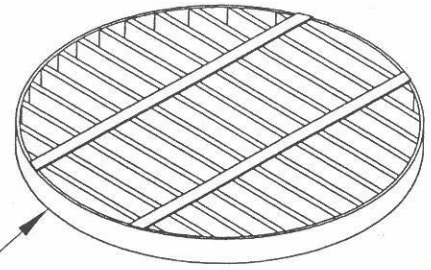


PLAN VIEW

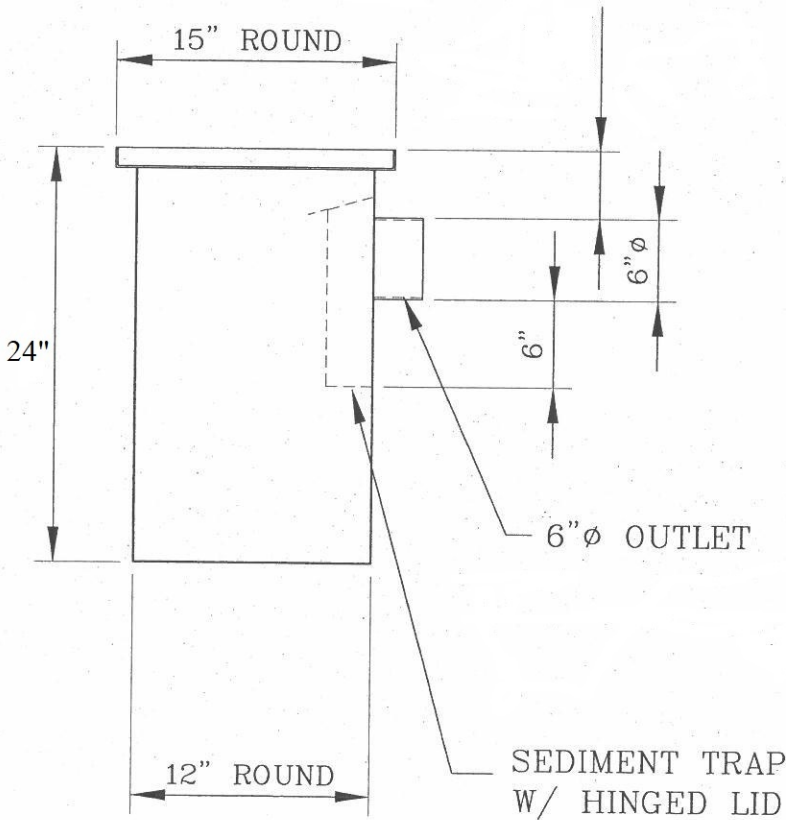


BIKE PROOF, HEAVY DUTY GRATE

GRATING

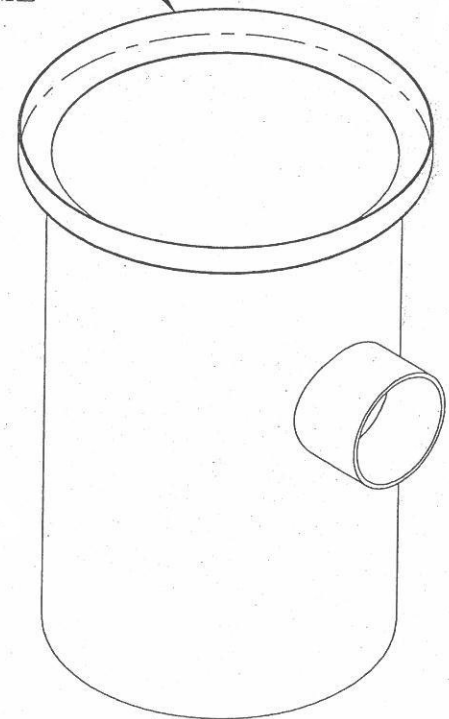
NOTES:

BOX FABRICATED FROM 10 GA. MILD STEEL



SIDE VIEW

L1 1/2 x 1 1/2 x 1/4 (CURVED) FRAME



ISOMETRIC

STATE APPROVED - ASPHALT DIPPED



Gibson Steel Basins
SINCE 1972

12" ROUND - 6" ϕ OUTLET

ROUND STORM WATER CATCH BASIN

PROJ. MAN. DOUG P.

DWN. PAUL G.

SCALE NONE

DATE: JAN. 23, 06

MODEL: RCB12-24HB-6

DWG #

R1

247 Washington St. Eugene, Or. 97401 ph:(541) 687 - 8672 fax: 344-0207