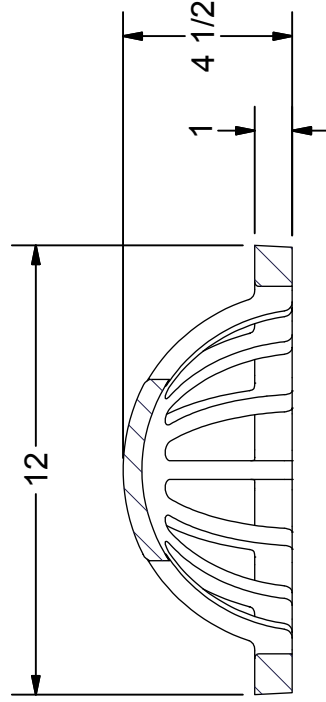
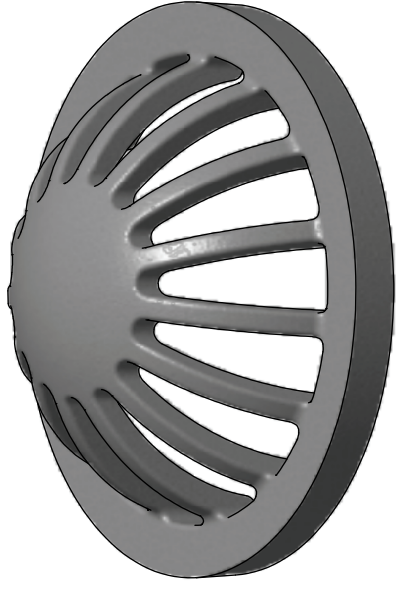


SECTION B-B



SECTION A-A

NOTES:
 1. MACHINE SEAT
 2. STANDARD BLACK DIP

PARTS LIST

 **OLYMPIC FOUNDRY INC.**

TITLE 12" BEEHIVE GRATE

RATING: N-A PART NO. 10-3102

REV: A 5/23/12 NEW RELEASE

REV: A

DWG NO: BEEHIVE 12 CAT SCALE: N/A SH 1 OF 1

MATL: CAST IRON ASTM A48, CL35B

APX WT. 17 LBS.

TOLERANCES:
 XX = ± .1 X.XXX = ± .03
 XXX = ± .06 FRAC = ± 1/16

DOC APPVD DWN: CM 5/23/2013
 BY: DATE: CHKD: