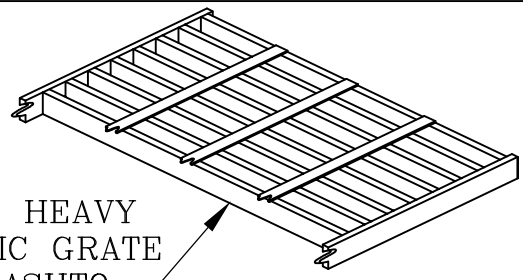


PLAN VIEW



BIKE PROOF, HEAVY
DUTY TRAFFIC GRATE
SUPPORTS AASHTO
H2O LOADS

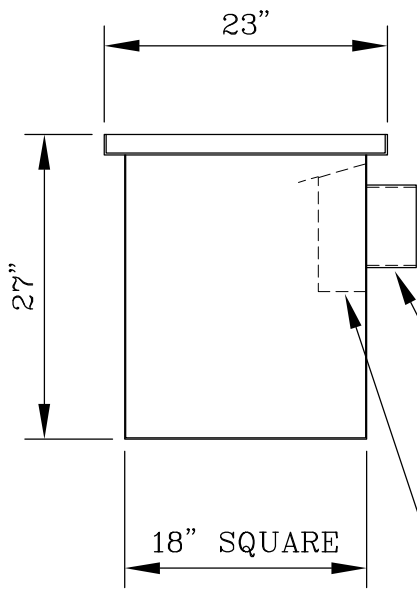
GRATING

NOTES:

BOX FABRICATED FROM
10 GA. MATERIAL

4"Ø OR 6"Ø
OUTLET

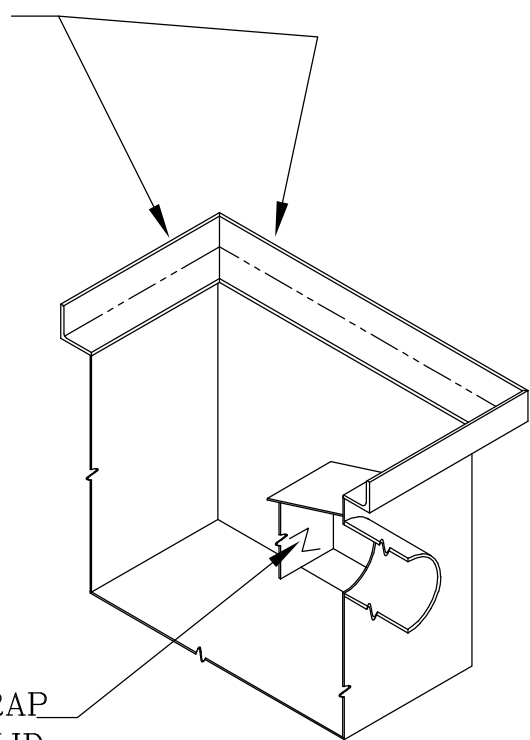
L2½x2½x⅜
FRAME



SIDE VIEW

4"Ø OR 6"Ø
OUTLET

SEDIMENT TRAP
W/ HINGED LID



ISOMETRIC SECTION

STATE APPROVED — ASPHALT DIPPED

18" SQUARE — 4"Ø OR 6"Ø OUTLET

COMPACT BASIN

MODEL: GCB10-1827HB-4&6

DATE: 11/19/2020

SCALE: NONE

DWG #
C3

Gibson Steel Basins, Inc.

1040 Arrowsmith St. Eugene Or. 97402
(541) 484-7200 or (800) 574-8096

Visit us at: www.gibsonsteelbasins.com

Email us at: sales@gibsonsteelbasins.com

EST. 1996

CCB 150089