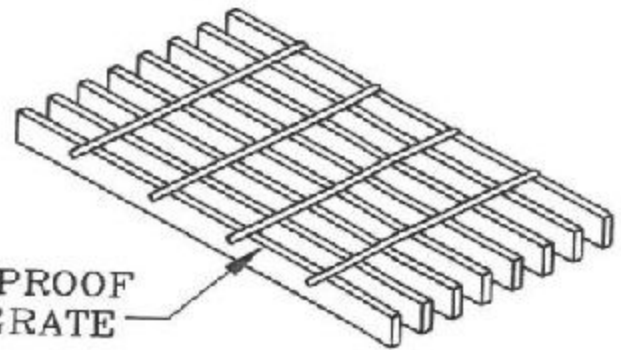


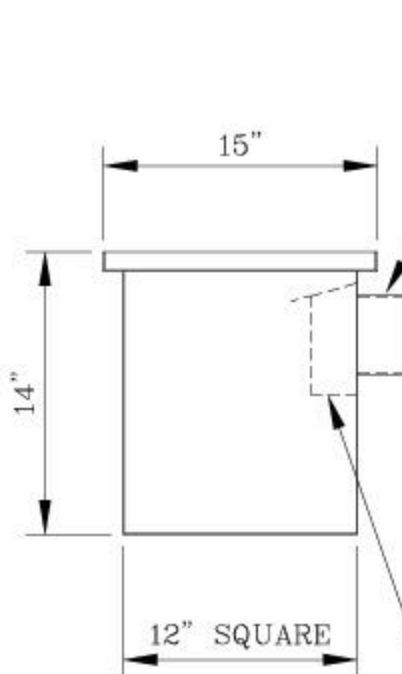
PLAN VIEW



BIKE PROOF
BAR GRATE

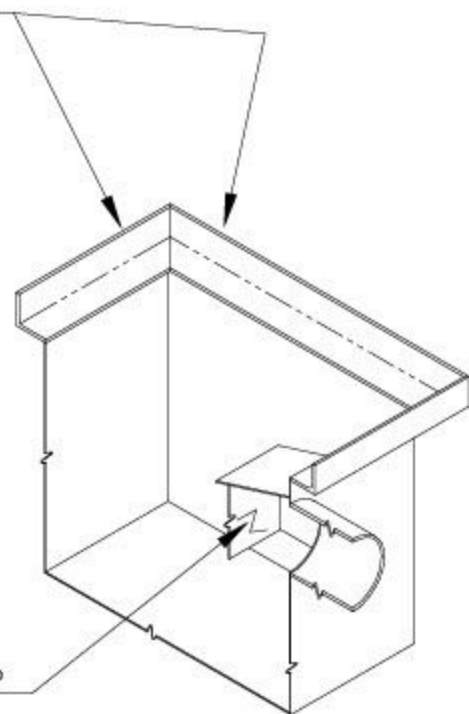
NOTES:

BOX FABRICATED FROM
10 GA. MATERIAL



SIDE VIEW

$L1\frac{1}{2} \times 1\frac{1}{2} \times \frac{3}{16}$
FRAME
4" ϕ OR 6" ϕ
OUTLET



ISOMETRIC SECTION

STATE APPROVED — ASPHALT DIPPED

12" SQUARE — 4" ϕ OR 6" ϕ OUTLET

LANDSCAPING MINI-BASIN

MODEL: GMCB10-1214HB-4&6

DATE: 11/19/2020

SCALE: NONE

DWG #

L2

Gibson Steel Basins, Inc.

1040 Arrowsmith St. Eugene Or. 97402
(541) 484-7200 or (800) 574-8096

Visit us at: www.gibsonsteelbasins.com

Email us at: sales@gibsonsteelbasins.com

EST. 1996

CCB 150089