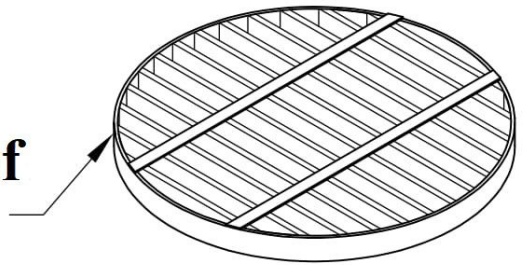


PLAN VIEW

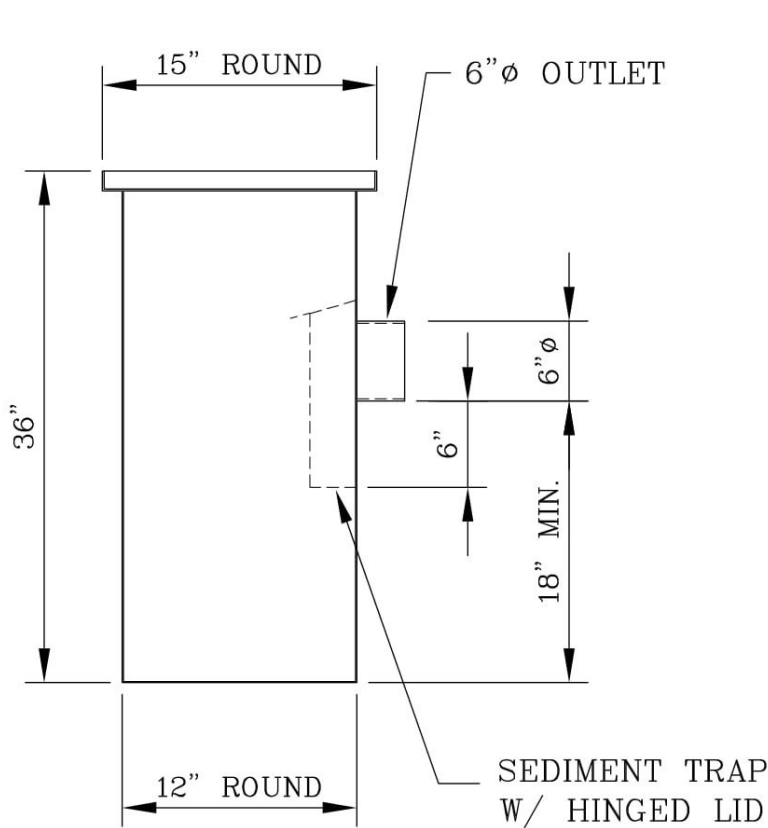
# Bike Proof Grate



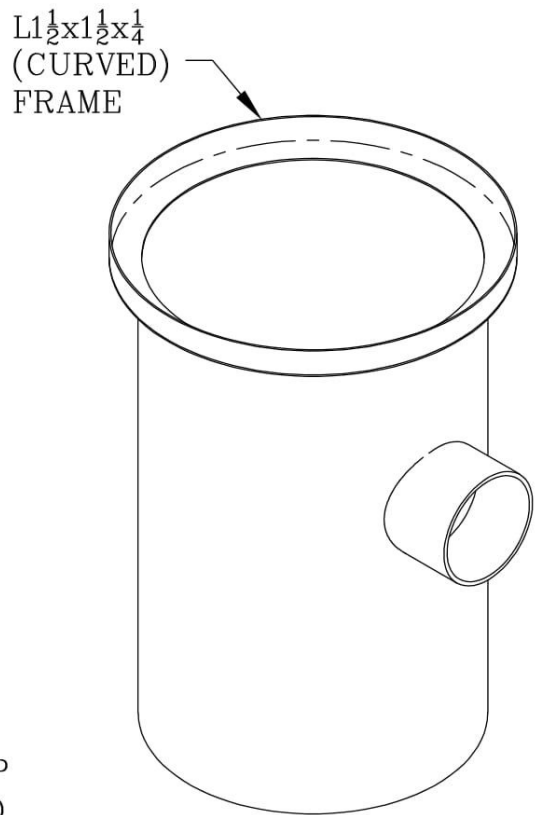
GRATING

## NOTES:

BOX FABRICATED FROM  
10 GA. MILD STEEL



SIDE VIEW



ISOMETRIC

STATE APPROVED — ASPHALT DIPPED

12" ROUND — 6"  $\phi$  OUTLET

ROUND STORM WATER CATCH BASIN

MODEL: RCB12-36HB-6

DATE: 11/19/2020

SCALE: NONE

DWG #

**R2**

**Gibson Steel Basins, Inc.**

1040 Arrowsmith St. Eugene Or. 97402  
(541) 484-7200 or (800) 574-8096

Visit us at: [www.gibsonsteelbasins.com](http://www.gibsonsteelbasins.com)  
Email us at: [sales@gibsonsteelbasins.com](mailto:sales@gibsonsteelbasins.com)

EST. 1996

CCB 150089