

INDUSTRIAL DIESEL ENGINE

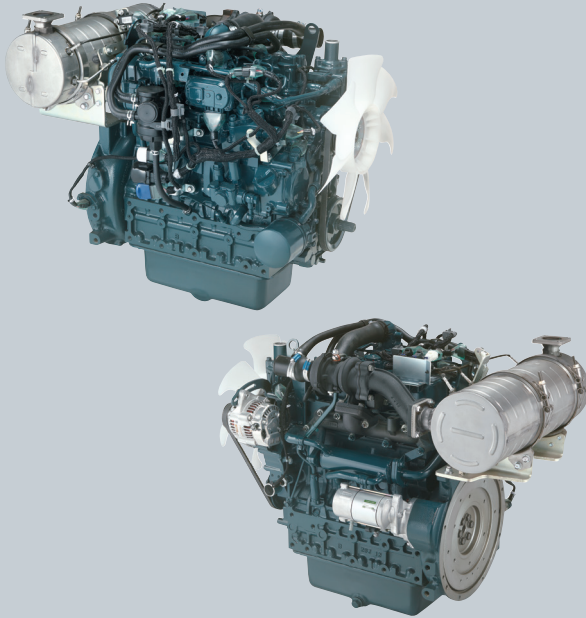
# V2403-CR-TE4B

# V2403-CR-TIE4B

KUBOTA 03 SERIES (4-cylinder)

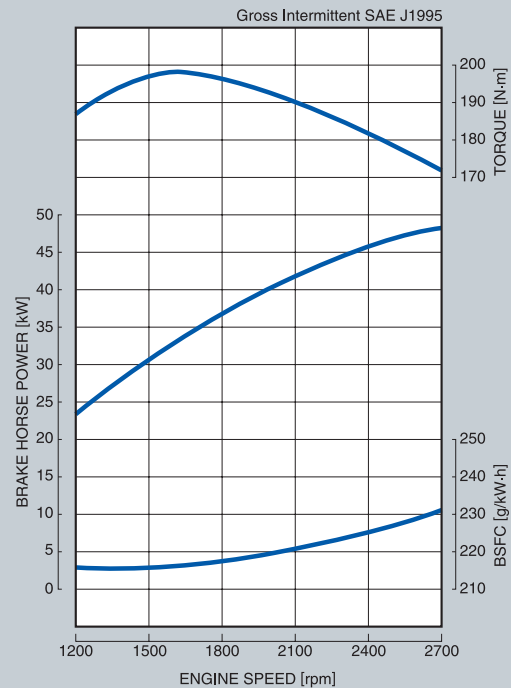
## RATED POWER

48.6kW @2700rpm



Photographs may show non-standard equipment.

## PERFORMANCE CURVE



## FEATURES and BENEFITS

### Proven Reliability and New Technology

The latest technology and a strong performance – two things customers expect from Kubota engines. We continue to provide both by seeking excellence in three key areas: emission compliance, new strides in fully electronic controlled engines, and flexibility in products and services to customers worldwide.

### Emission Compliance

Meeting rigid emission regulations can be a challenge for any company. At Kubota, our 03 Series engines have been designed to comply with the most stringent regulations: The EPA/CARB Tier4 and the EU Stage III B. In addition, innovative emission solutions, such as an aftertreatment device, have also been integrated into the 03 Series engines.

### Clean and Quiet Power

The Common Rail System has made it possible to optimize combustion and create a more durable, quiet, and improved fuel-economy engine. This engine model is available with Diesel Oxidation Catalyst (DOC) only or Diesel Particulate Filter (DPF) + DOC aftertreatment.

### Flexibility

When working with customers in different countries and with different engine needs, flexibility is a must. Since Kubota 03 Series engines have evolved step-by-step to meet every EPA Tier, we provide the appropriate emission regulation certified engine to any customers worldwide. Added to that, we have designed aftertreatment device with minimum package impact for easy installation.

### Trust

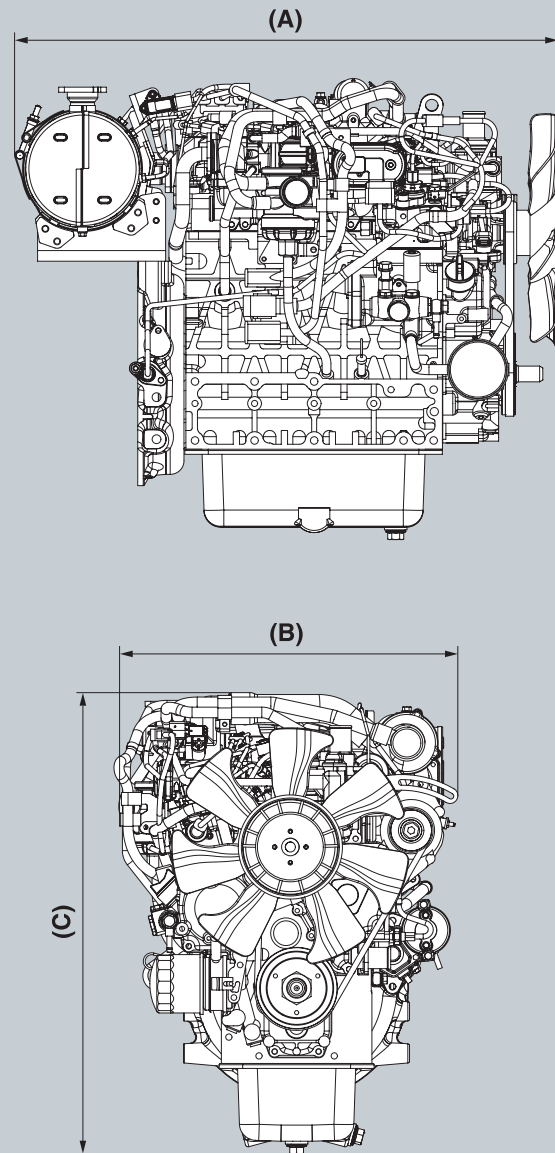
The Kubota 03 Series is the best solution for your company's global marketing strategy. We continuously strive to meet your needs with the experience and expertise you expect and deserve.

# KUBOTA 03 SERIES V2403-CR-TE4B / V2403-CR-TIE4B

## GENERAL SPECIFICATION

Model		V2403-CR-TE4B	V2403-CR-TIE4B
Emission Regulation		Tier4 / Stage III B	
Type		Vertical 4-cycle liquid cooled Diesel	
Number of Cylinders		4	
Bore	mm (in)	87.0 (3.43)	
Stroke	mm (in)	102.4 (4.03)	
Displacement	L (cu.in)	2.434 (148.53)	
Combustion System		DI	
Aspiration		Turbo Charged (T)	Turbo Charged+ Turbo After Cooler (TI)
Aftertreatment device		DPF+DOC	DOC
Maximum Speed	rpm	2700	
Output: Gross Intermittent	kW	48.6	
	HP	65.1	
	ps	66.1	
Direction of Rotation		Counter clockwise Viewed on Flywheel side	
Oil Pan Capacity	L (U.S.gal)	9.5 (2.51)	
Starter Capacity	V-kW	12-2.0	
Alternator Capacity	V-A	12-60	
Length (A)	mm (in)	854 (33.6)	
Width (B)	mm (in)	517 (20.4)	
Height (C)	mm (in)	735 (28.9)	744 (29.3)
Dry Weight	kg (lb)	233 (513.8)	232 (511.6)

## DIMENSIONS



Dimensions and weight depend on completed specifications.

\*Specification is subject to change without notice.  
 \*DPF: Diesel Particulate Filter  
 \*DOC: Diesel Oxidation Catalyst  
 \*Output: Gross Intermittent SAE J1995  
 \*Dimensions and dry weight are according to Kubota's standard specification.



### KUBOTA Engine America Corporation

505 Schelter Road, Lincolnshire, IL 60069  
 Phone: 847-955-2500 Fax: 847-955-2699  
[www.kubotaengine.com](http://www.kubotaengine.com)