

THE NRCA ROOFING MANUAL

CONSTRUCTION DETAIL C-1

NRCA UL ES-1 CERTIFICATION

COPING

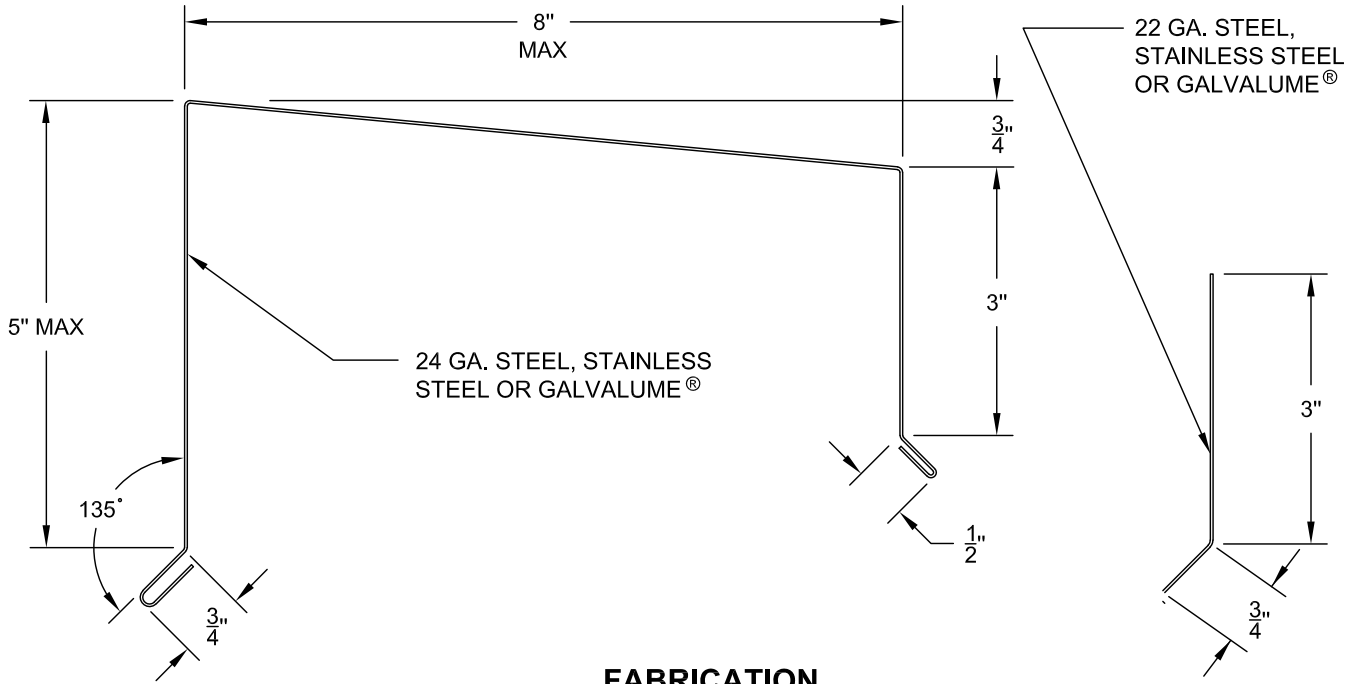
- 24 GA. STEEL
- 24 GA. STAINLESS STEEL
- 24 GA. GALVALUME®

**ANSI/SPRI ES-1
TESTED RESISTANCE**

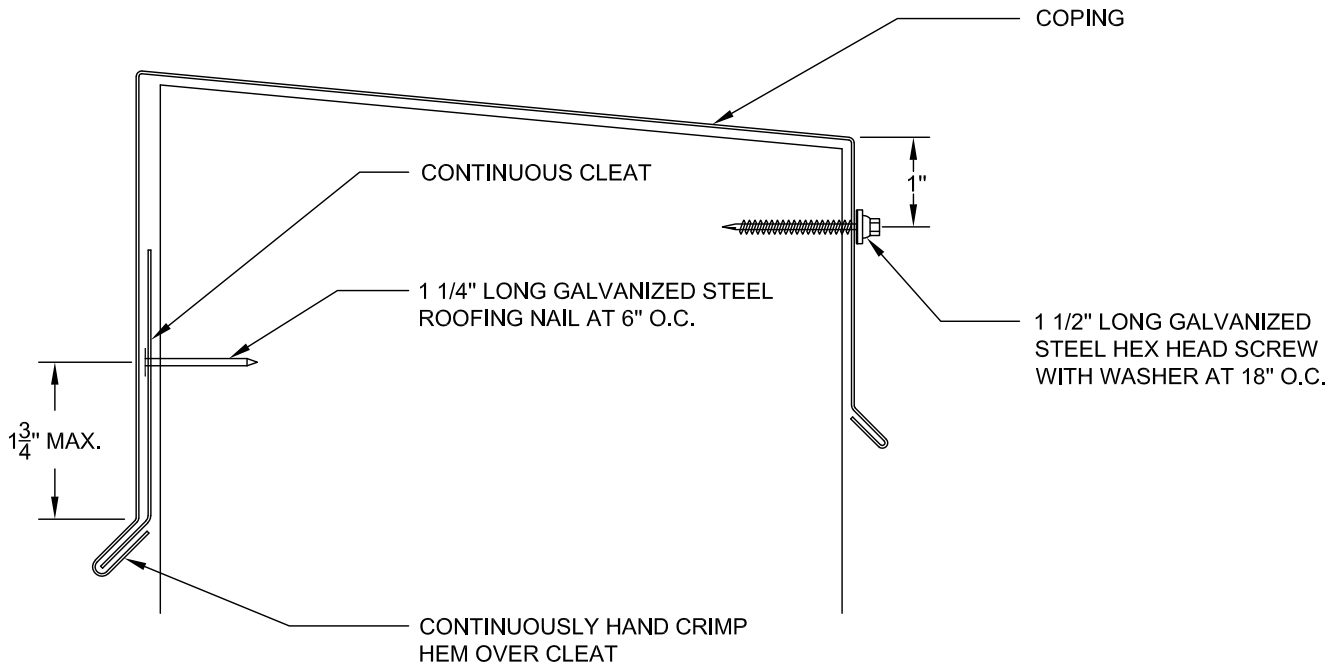
OUTWARD 190 LBS./SQ. FT. **UPWARD** 310 LBS./SQ. FT.

UL-1

2/15/21 REV.
10/30/15



FABRICATION



INSTALLATION

THE NRCA ROOFING MANUAL

CONSTRUCTION DETAIL C-2

NRCA UL ES-1 CERTIFICATION

COPING

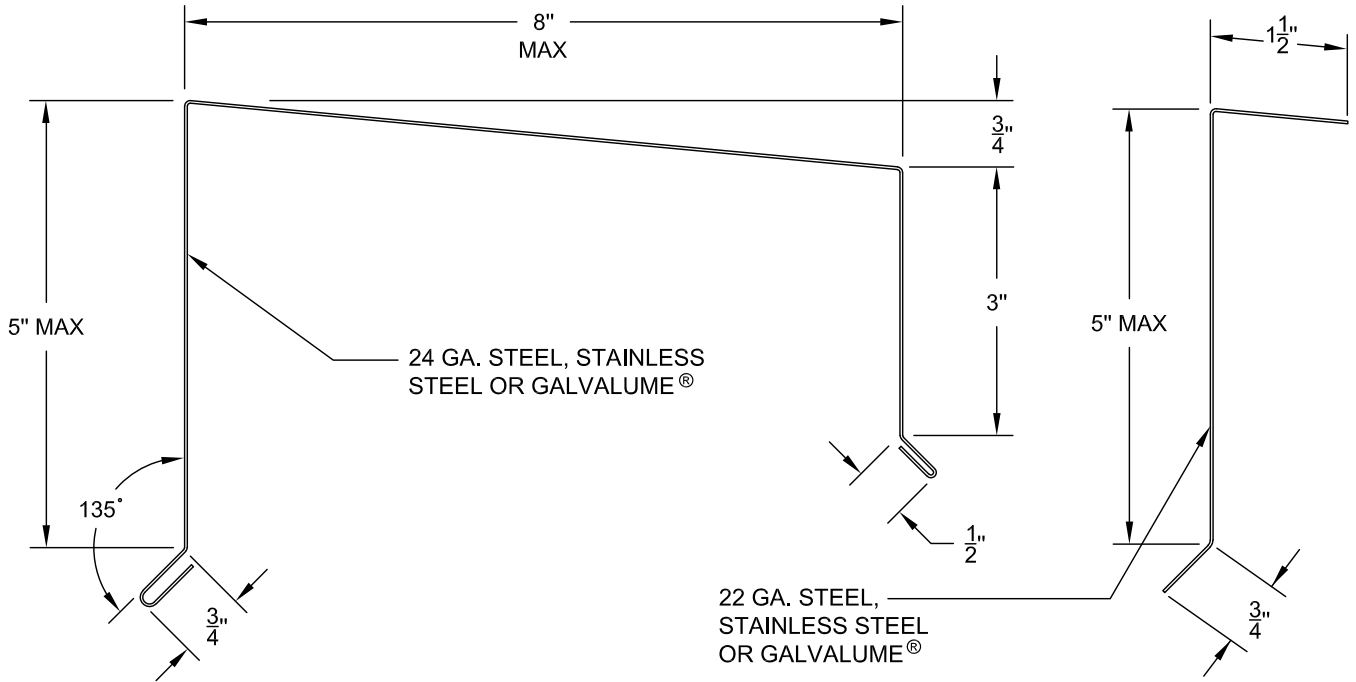
- 24 GA. STEEL
- 24 GA. STAINLESS STEEL
- 24 GA. GALVALUME®

**ANSI/SPRI ES-1
TESTED RESISTANCE**

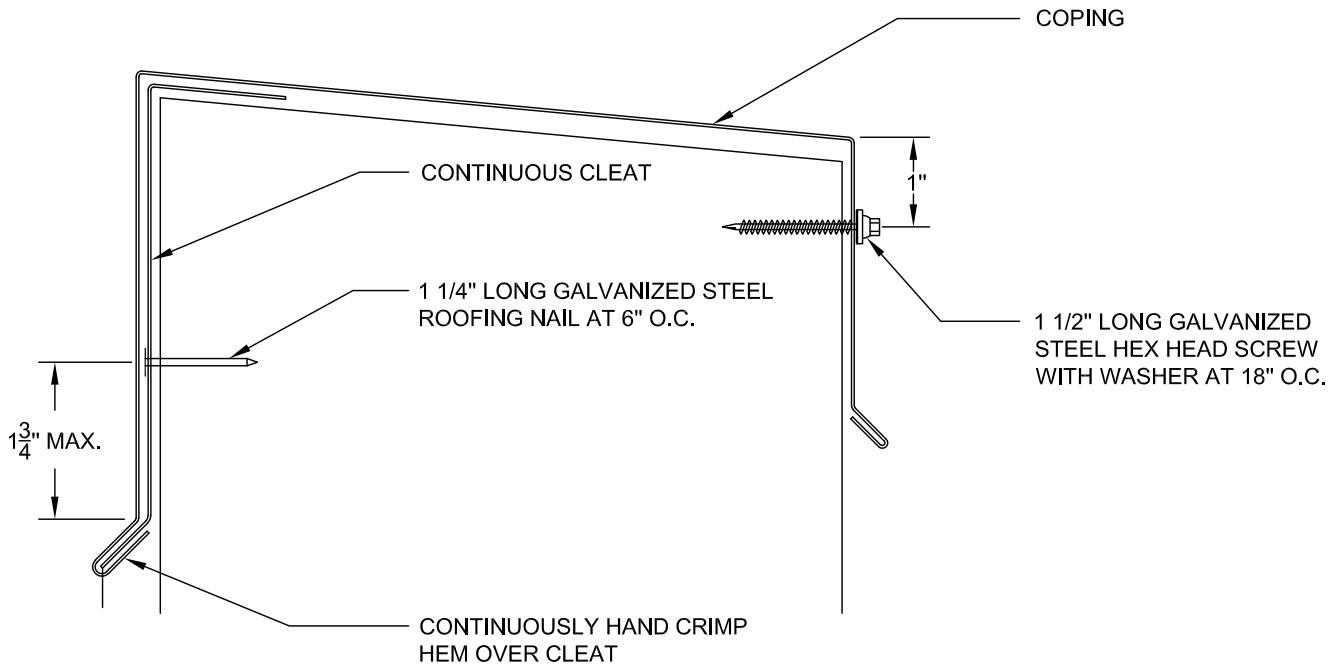
OUTWARD 190 LBS./SQ. FT. **UPWARD** 310 LBS./SQ. FT.

UL-1A

2/15/21 REV.
10/30/15



FABRICATION



INSTALLATION

THE NRCA ROOFING MANUAL
CONSTRUCTION DETAIL C-1

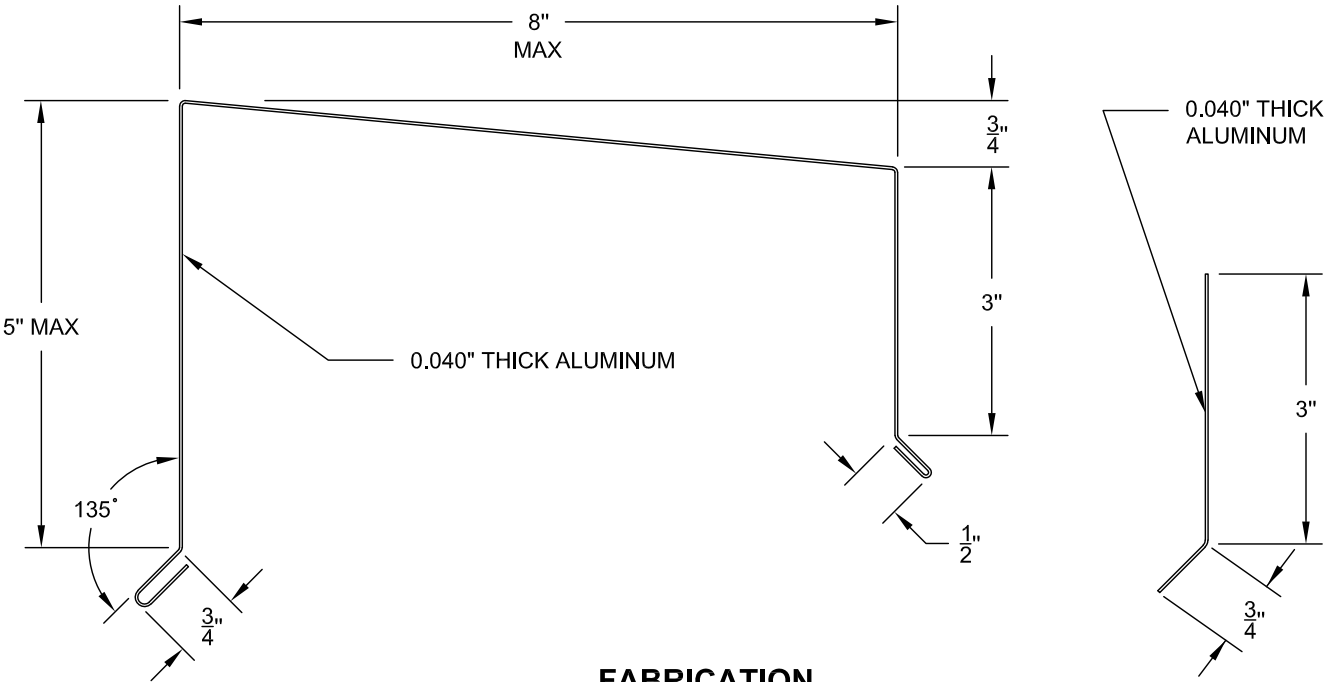
COPING
• 0.040" ALUMINUM

**ANSI/SPRI ES-1
TESTED RESISTANCE**

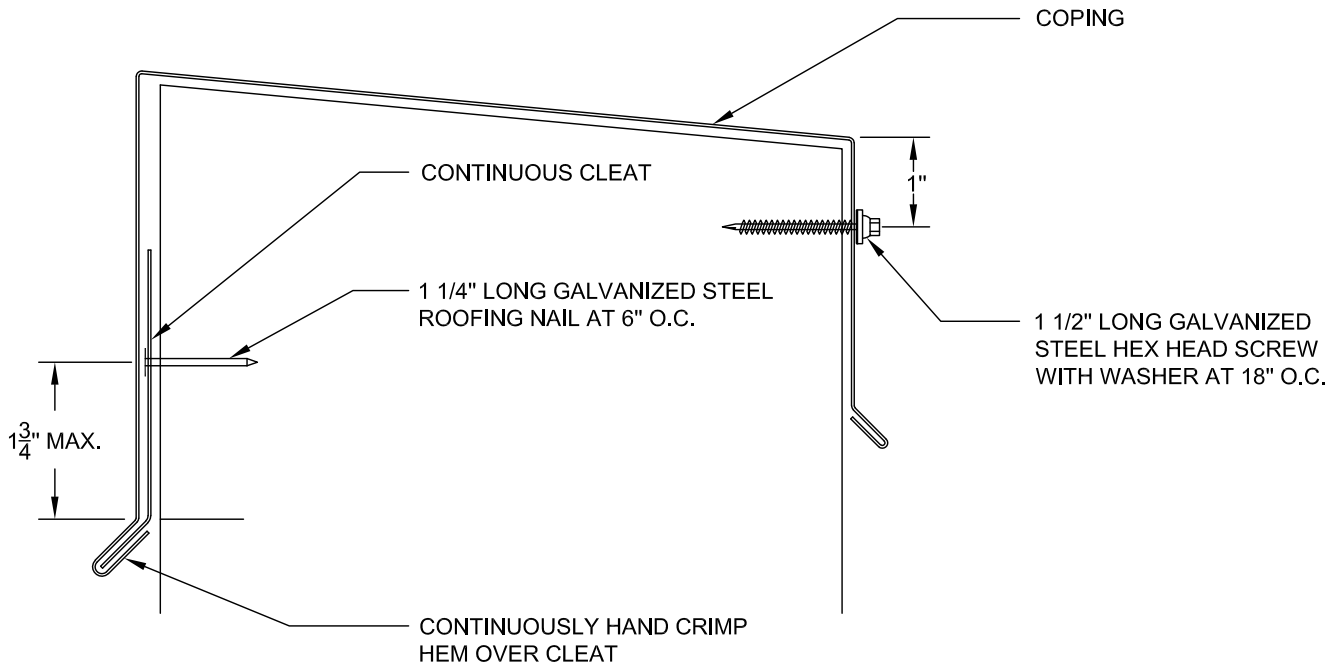
OUTWARD **UPWARD**
150 LBS./SQ. FT. 250 LBS./SQ. FT.

UL-2

2/15/21 REV.
2/6/17



FABRICATION



INSTALLATION

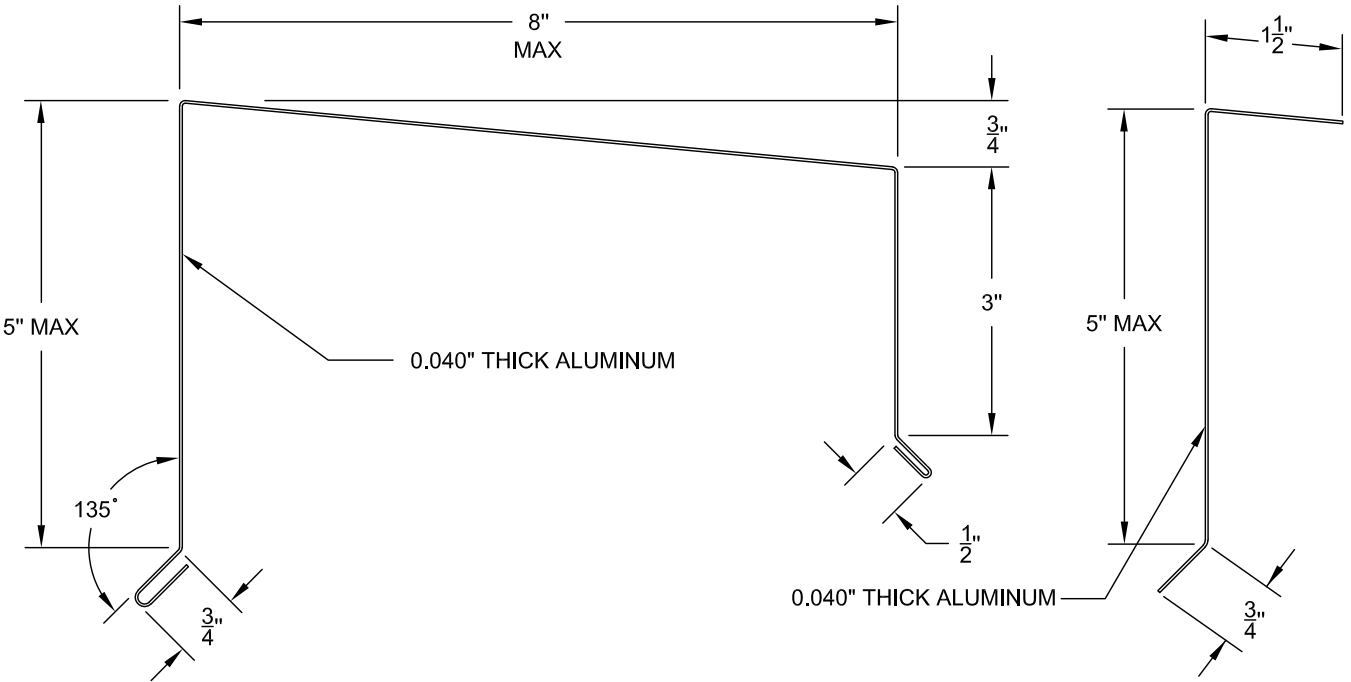
THE NRCA ROOFING MANUAL
CONSTRUCTION DETAIL C-2

COPING
• 0.040" ALUMINUM

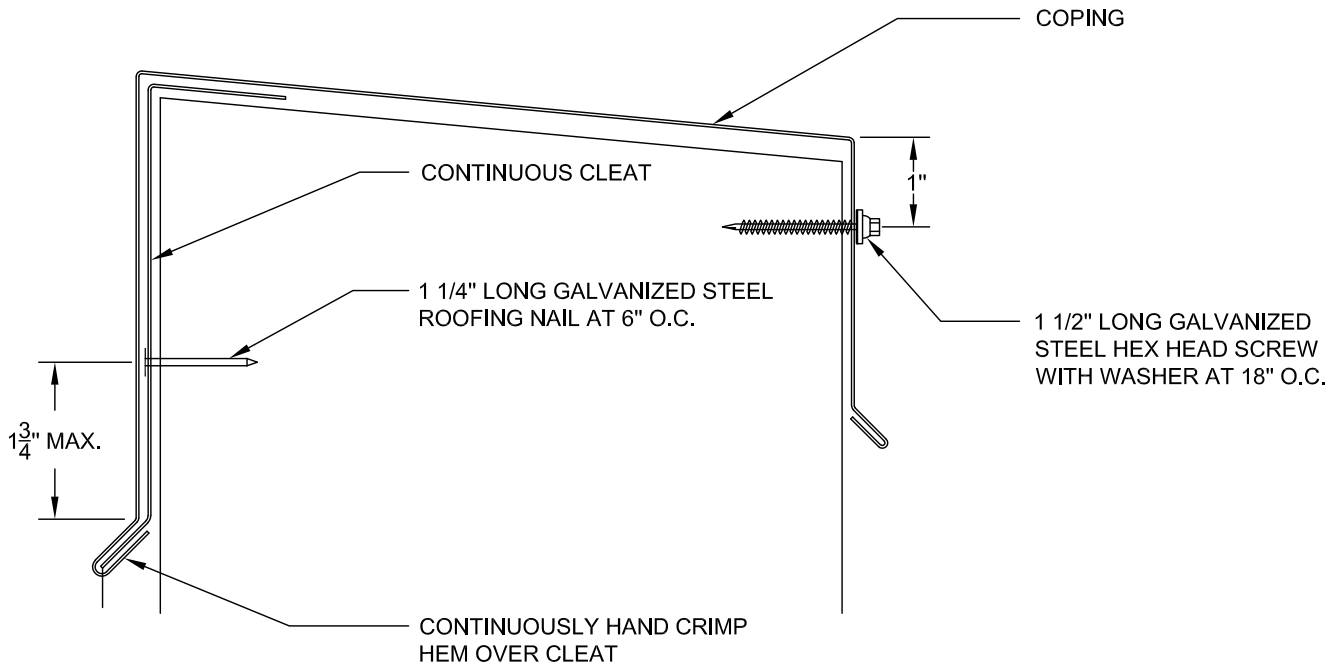
**ANSI/SPRI ES-1
TESTED RESISTANCE**

OUTWARD **UPWARD**
150 LBS./SQ. FT. 250 LBS./SQ. FT.

UL-2A
2/15/21 REV.
2/6/17



FABRICATION



INSTALLATION

THE NRCA ROOFING MANUAL
CONSTRUCTION DETAIL C-1

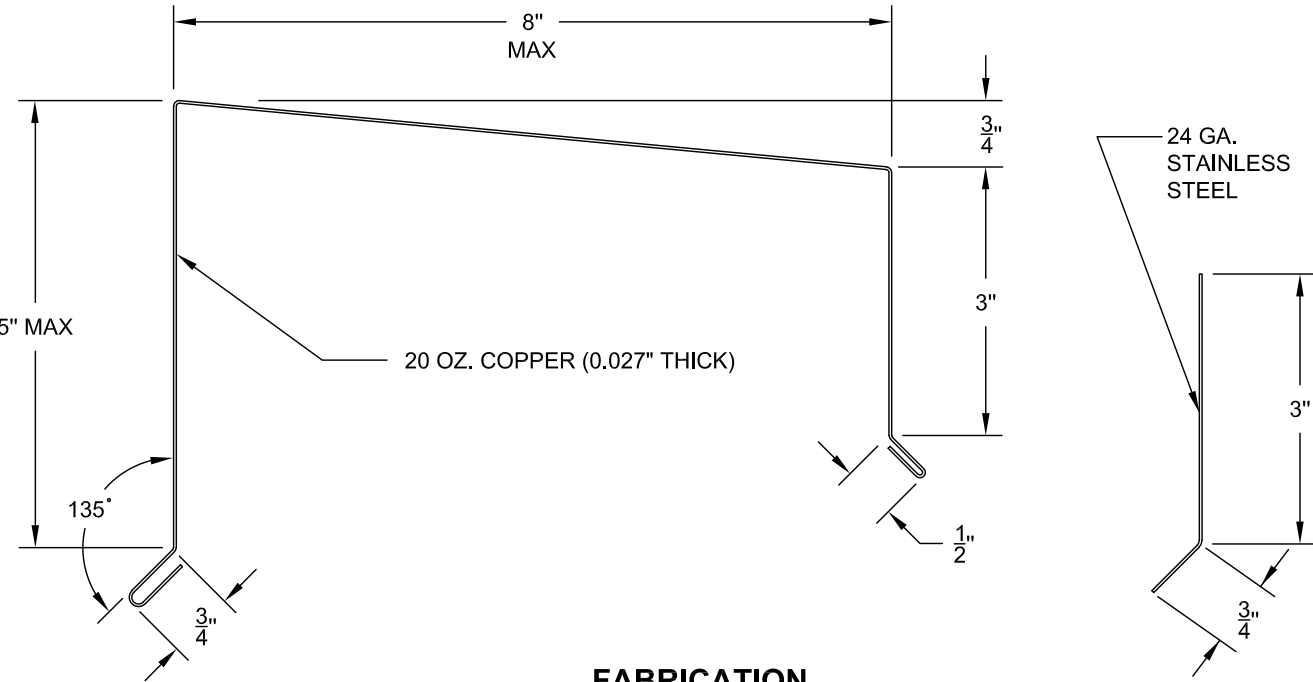
COPING
• 20 OZ. COPPER

**ANSI/SPRI ES-1
TESTED RESISTANCE**

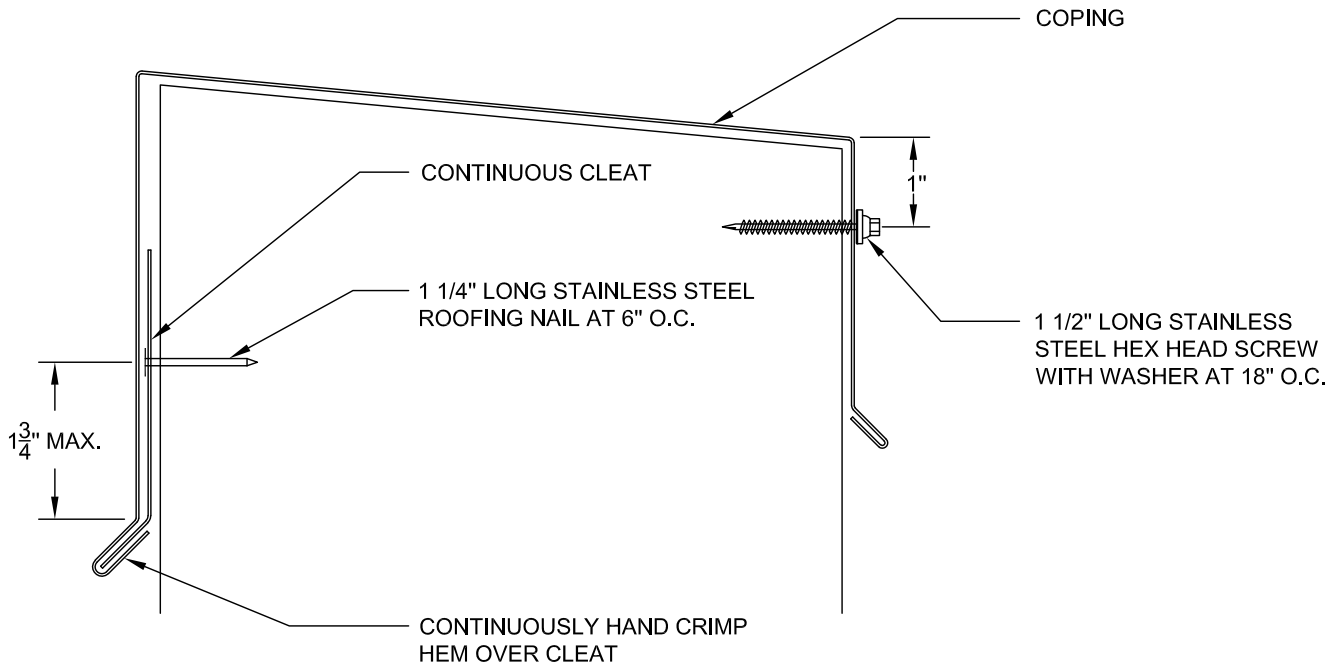
OUTWARD **UPWARD**
135 LBS./SQ. FT. 220 LBS./SQ. FT.

UL-3

2/15/21 REV.
3/1/11



FABRICATION



INSTALLATION

THE NRCA ROOFING MANUAL
CONSTRUCTION DETAIL C-2

NRCA UL ES-1 CERTIFICATION

COPING

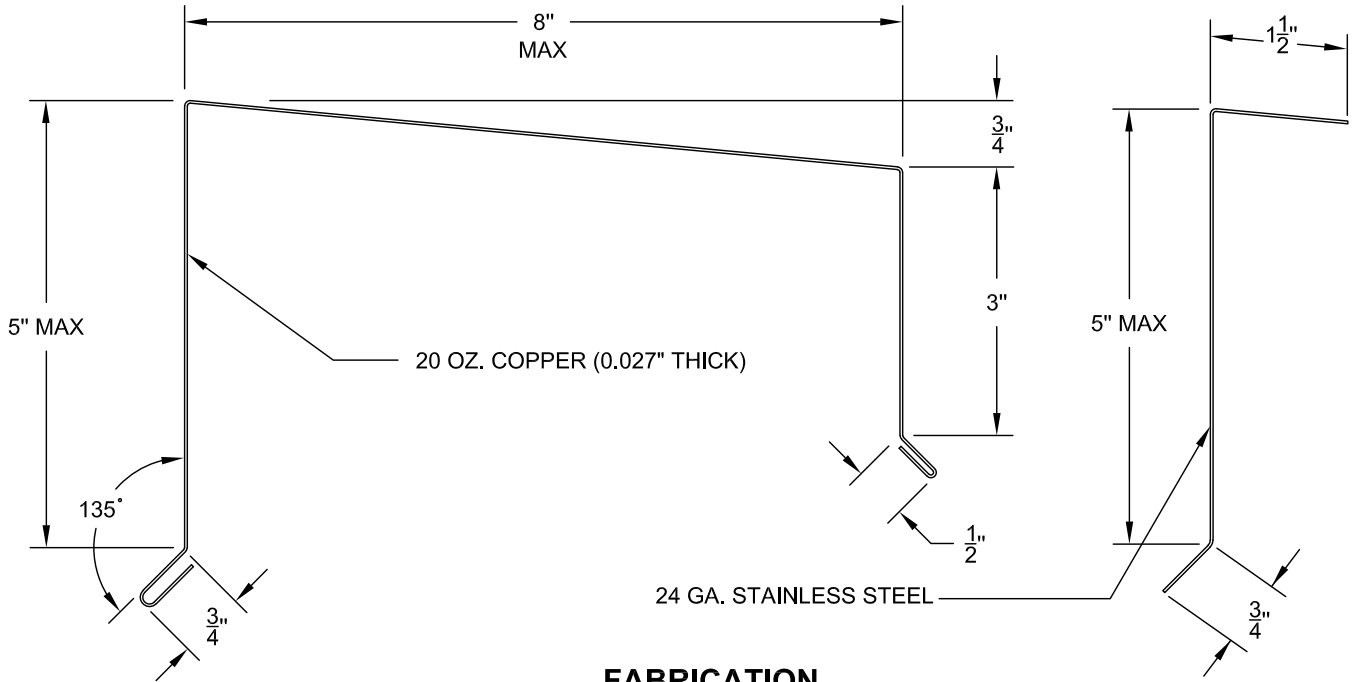
• 20 OZ. COPPER

**ANSI/SPRI ES-1
TESTED RESISTANCE**

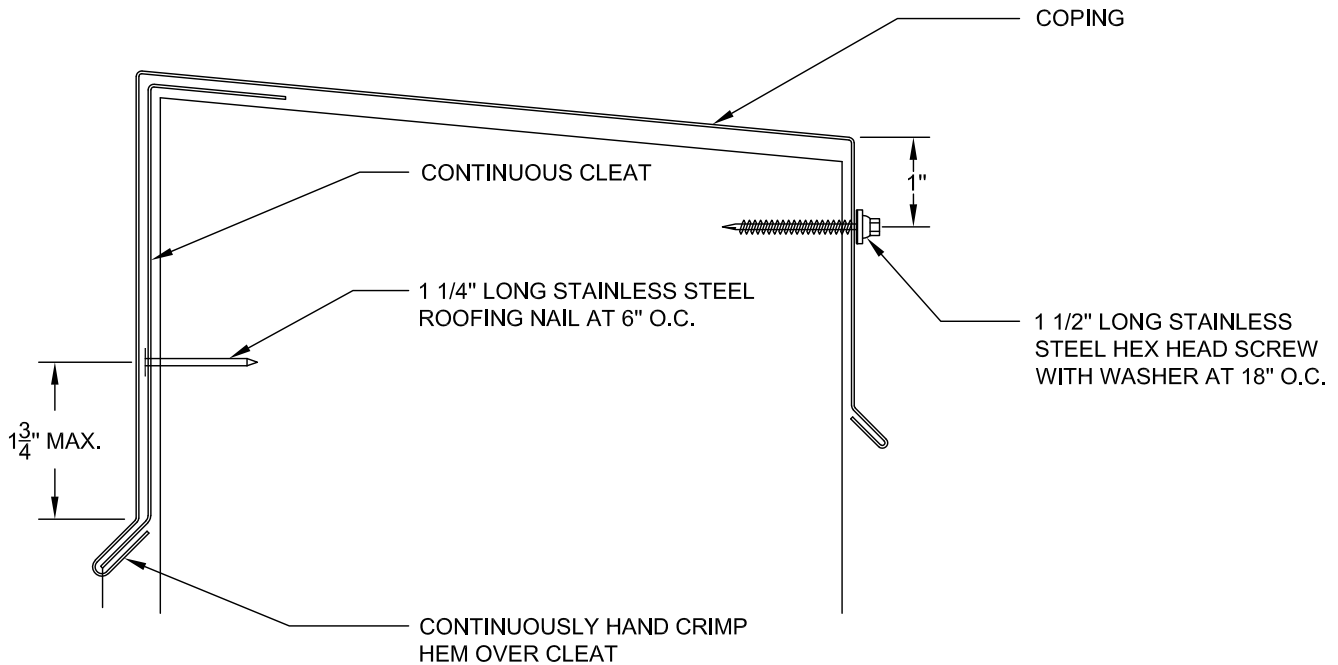
OUTWARD **UPWARD**
135 LBS./SQ. FT. 220 LBS./SQ. FT.

UL-3A

2/15/21 REV.
8/1/12



FABRICATION



INSTALLATION

THE NRCA ROOFING MANUAL

CONSTRUCTION DETAIL C-1

NRCA UL ES-1 CERTIFICATION

COPING

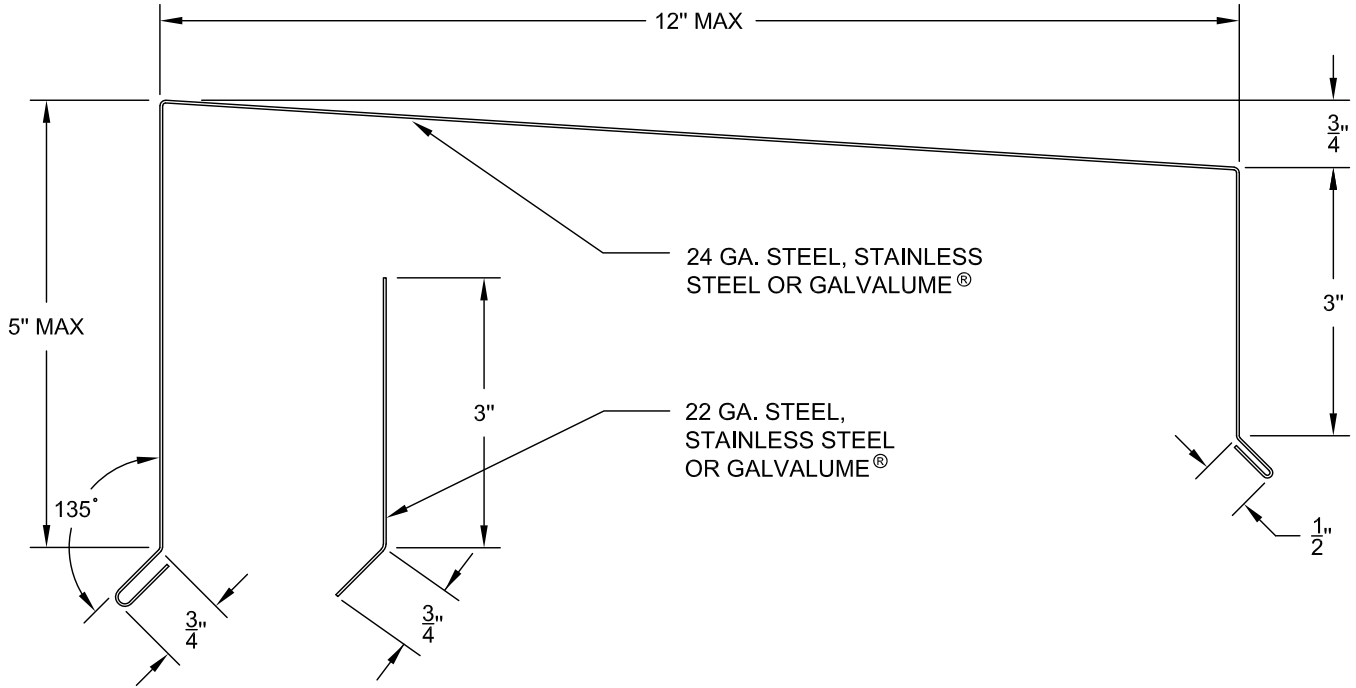
- 24 GA. STEEL
- 24 GA. STAINLESS STEEL
- 24 GA. GALVALUME®

**ANSI/SPRI ES-1
TESTED RESISTANCE**

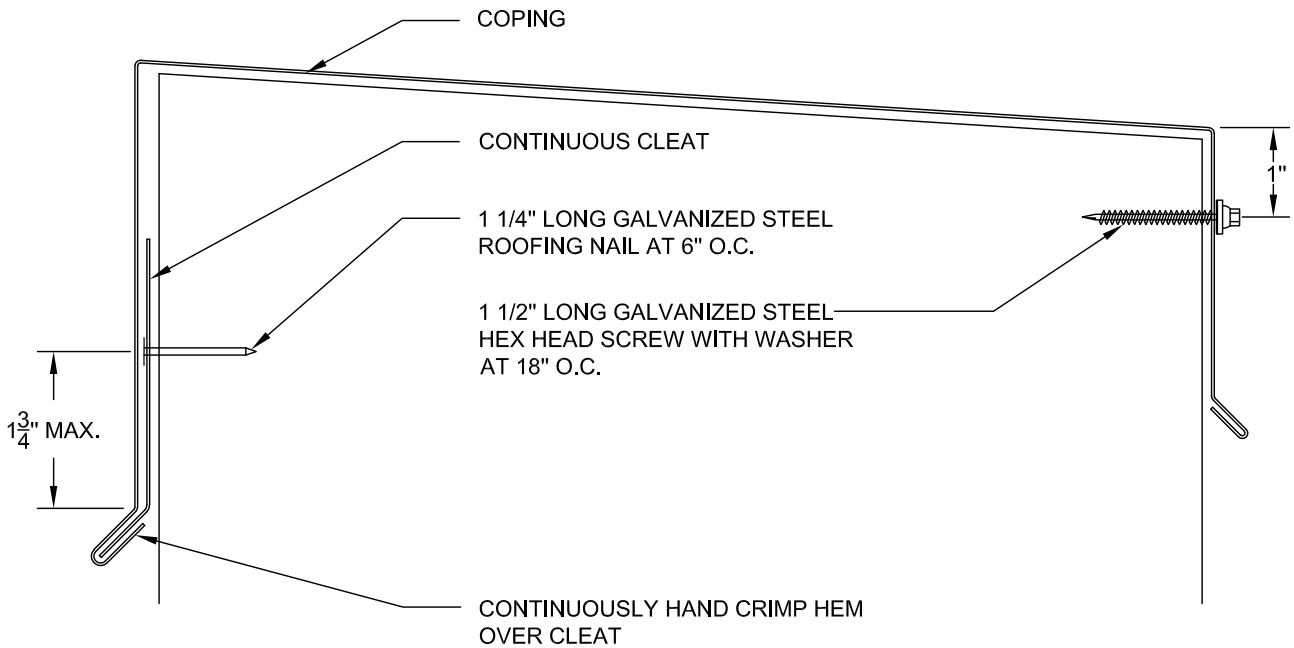
OUTWARD **UPWARD**
265 LBS./SQ. FT. 440 LBS./SQ. FT.

UL-4

2/15/21 REV.
10/30/15



FABRICATION



INSTALLATION

THE NRCA ROOFING MANUAL
CONSTRUCTION DETAIL C-2

COPING

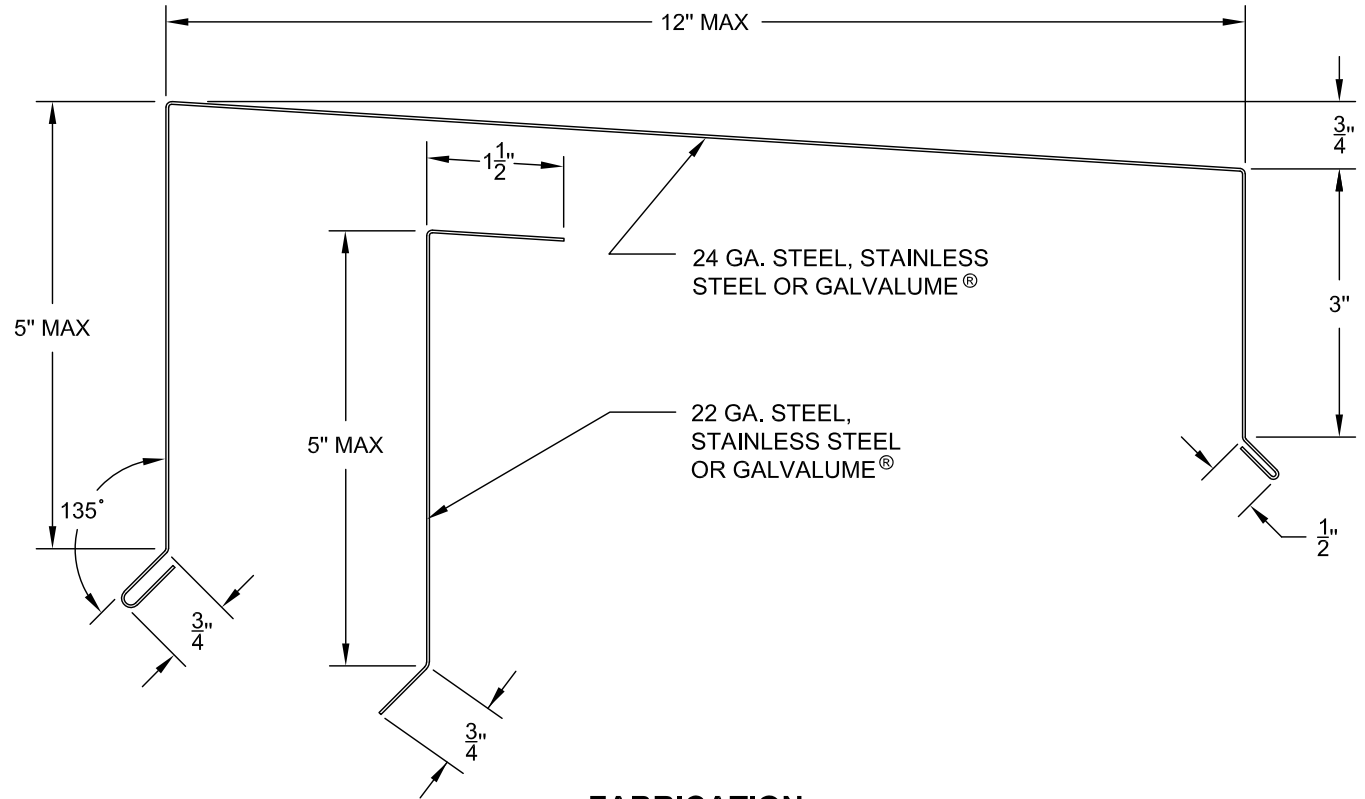
- 24 GA. STEEL
- 24 GA. STAINLESS STEEL
- 24 GA. GALVALUME®

**ANSI/SPRI ES-1
TESTED RESISTANCE**

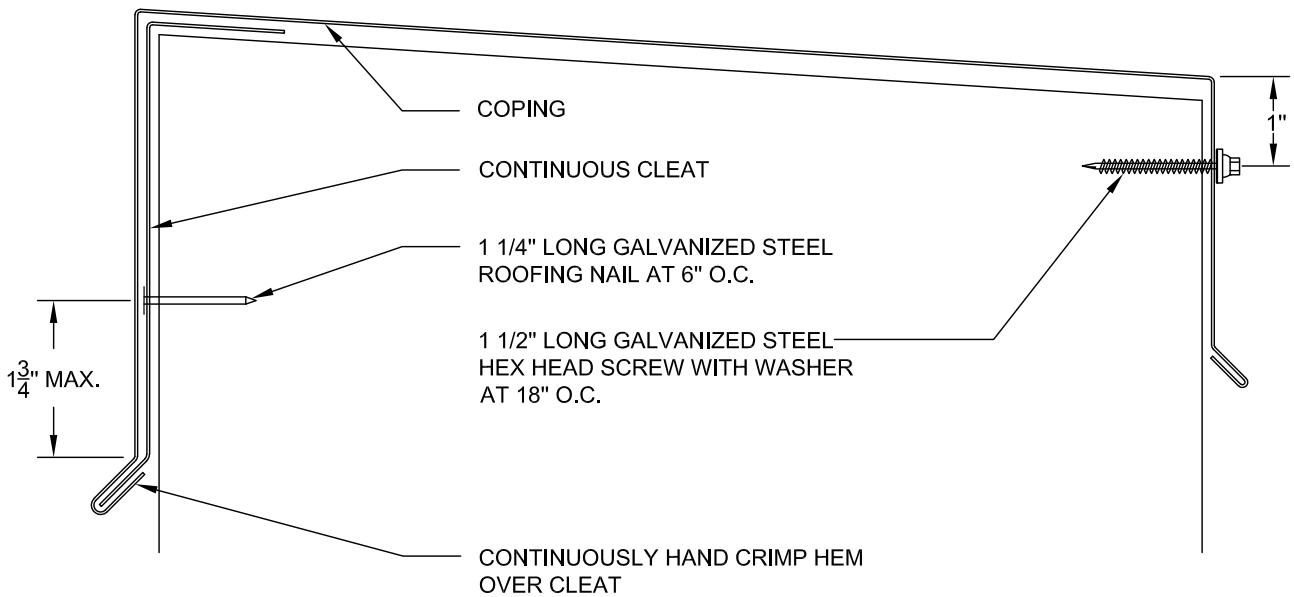
- | | |
|------------------|------------------|
| OUTWARD | UPWARD |
| 265 LBS./SQ. FT. | 440 LBS./SQ. FT. |

UL-4A

2/15/21 REV.
10/30/15



FABRICATION



INSTALLATION

THE NRCA ROOFING MANUAL
CONSTRUCTION DETAIL C-3

COPING

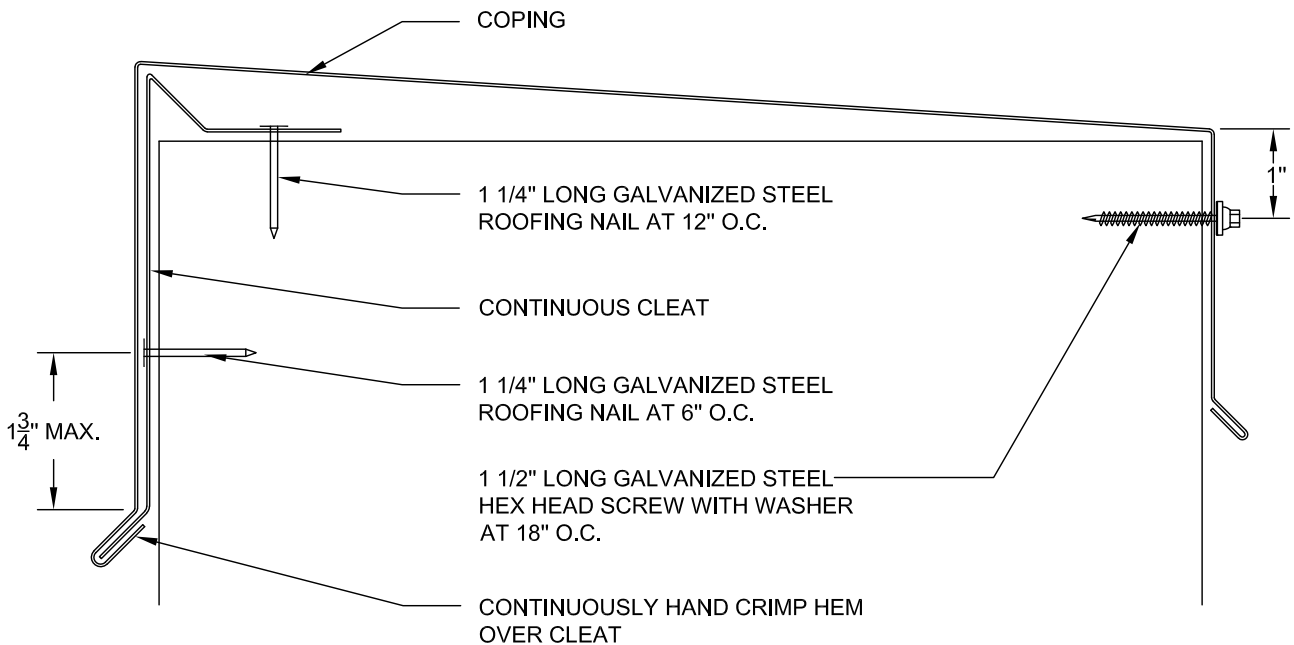
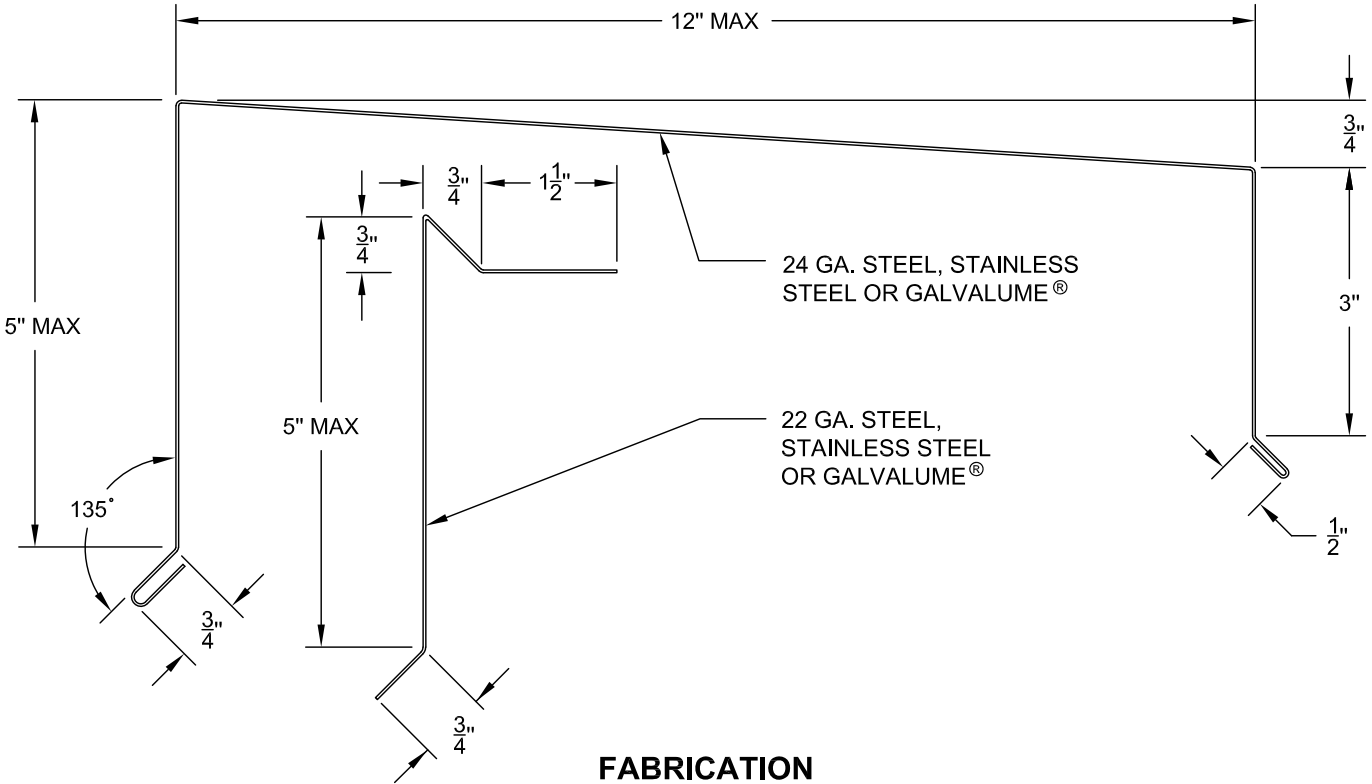
- 24 GA. STEEL
- 24 GA. STAINLESS STEEL
- 24 GA. GALVALUME®

**ANSI/SPRI ES-1
TESTED RESISTANCE**

- | | |
|------------------|------------------|
| OUTWARD | UPWARD |
| 214 LBS./SQ. FT. | 350 LBS./SQ. FT. |

UL-4B

2/15/21 REV.
10/30/15



COPING

- 22 GA. STEEL
- 22 GA. STAINLESS STEEL
- 22 GA. GALVALUME®

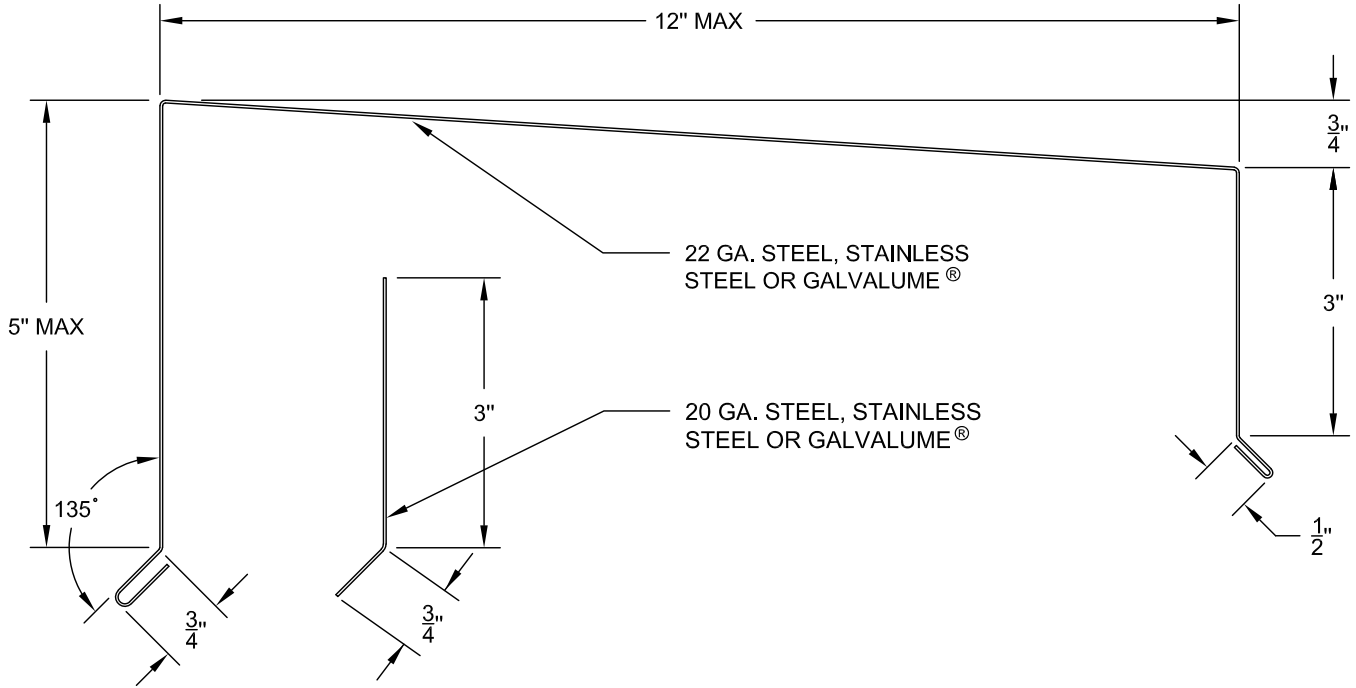
**ANSI/SPRI ES-1
TESTED RESISTANCE**

OUTWARD **UPWARD**
175 LBS./SQ. FT. 290 LBS./SQ. FT.

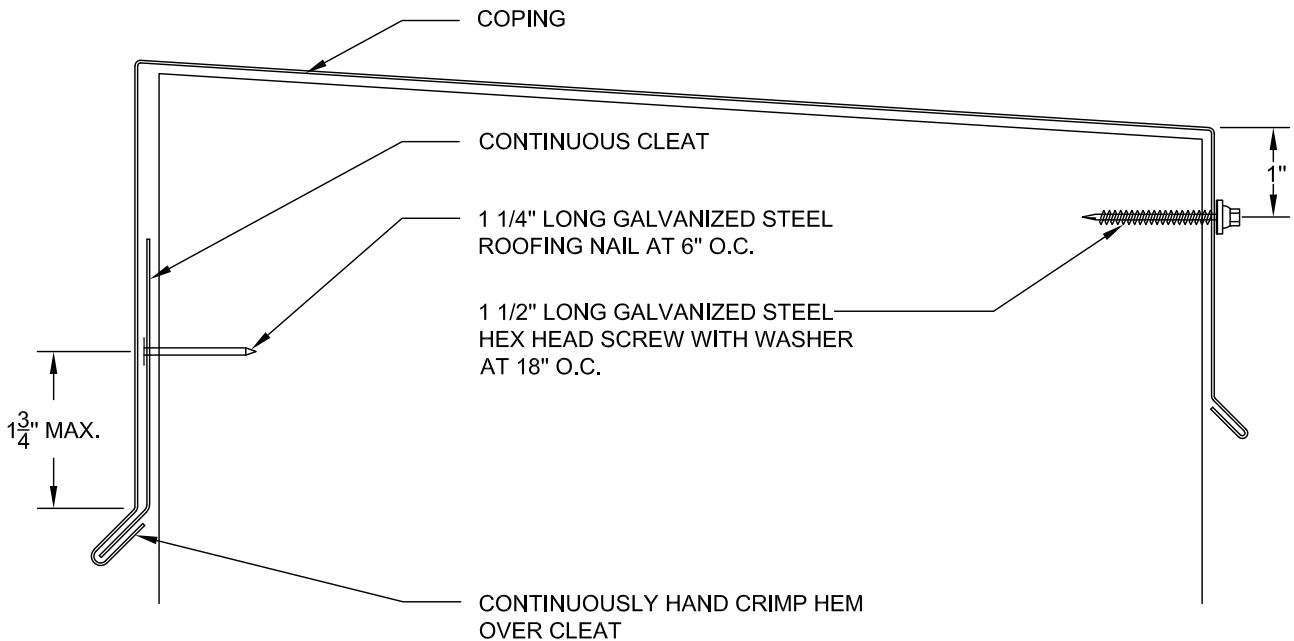
UL-5

2/15/21 REV.
10/30/15

NRCA UL ES-1 CERTIFICATION



FABRICATION



INSTALLATION

THE NRCA ROOFING MANUAL
CONSTRUCTION DETAIL C-2

COPING

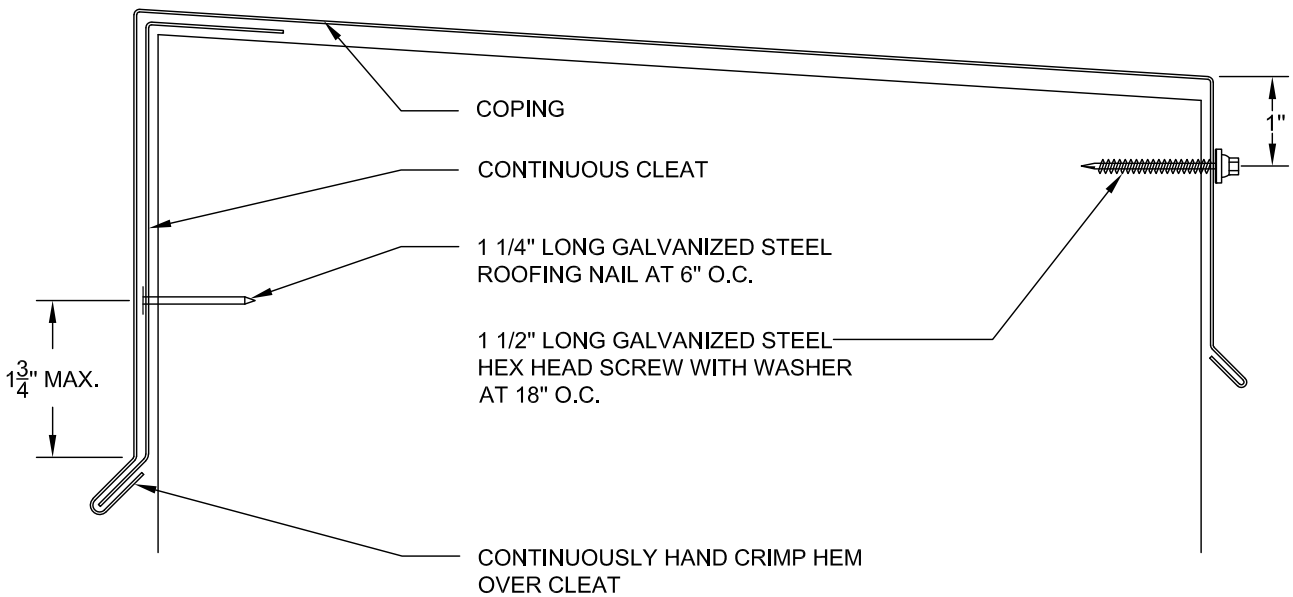
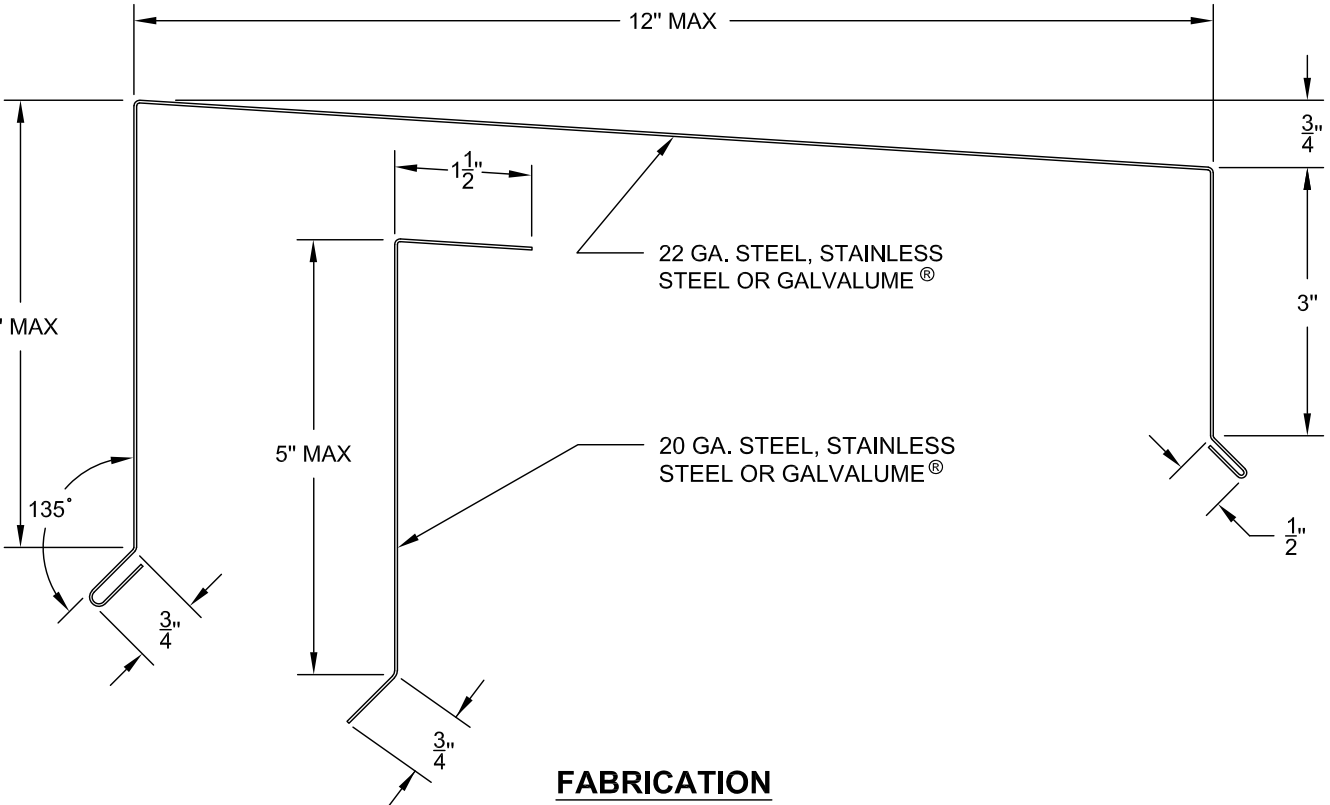
- 22 GA. STEEL
- 22 GA. STAINLESS STEEL
- 22 GA. GALVALUME®

**ANSI/SPRI ES-1
TESTED RESISTANCE**

- | | |
|------------------|------------------|
| OUTWARD | UPWARD |
| 175 LBS./SQ. FT. | 290 LBS./SQ. FT. |

UL-5A

2/15/21 REV.
10/30/15



THE NRCA ROOFING MANUAL

CONSTRUCTION DETAIL C-1

NRCA UL ES-1 CERTIFICATION

COPING

• 0.040" ALUMINUM

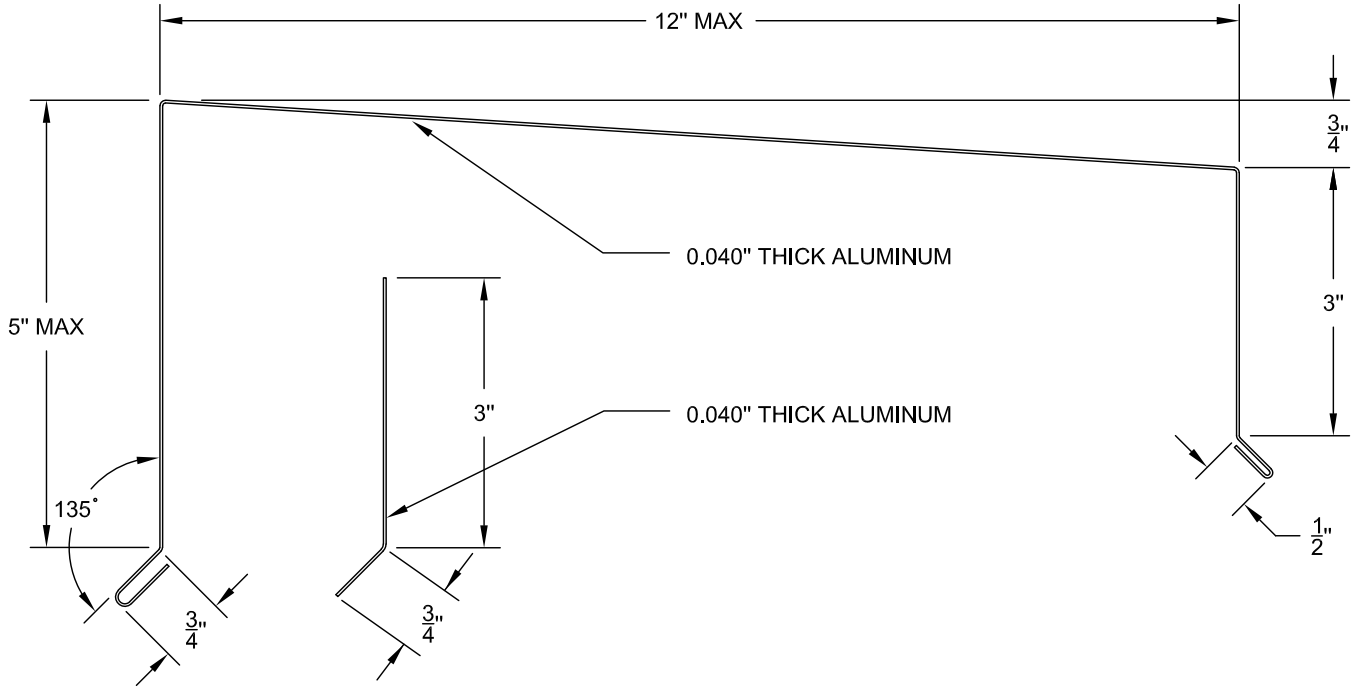
**ANSI/SPRI ES-1
TESTED RESISTANCE**

OUTWARD
95 LBS./SQ. FT.

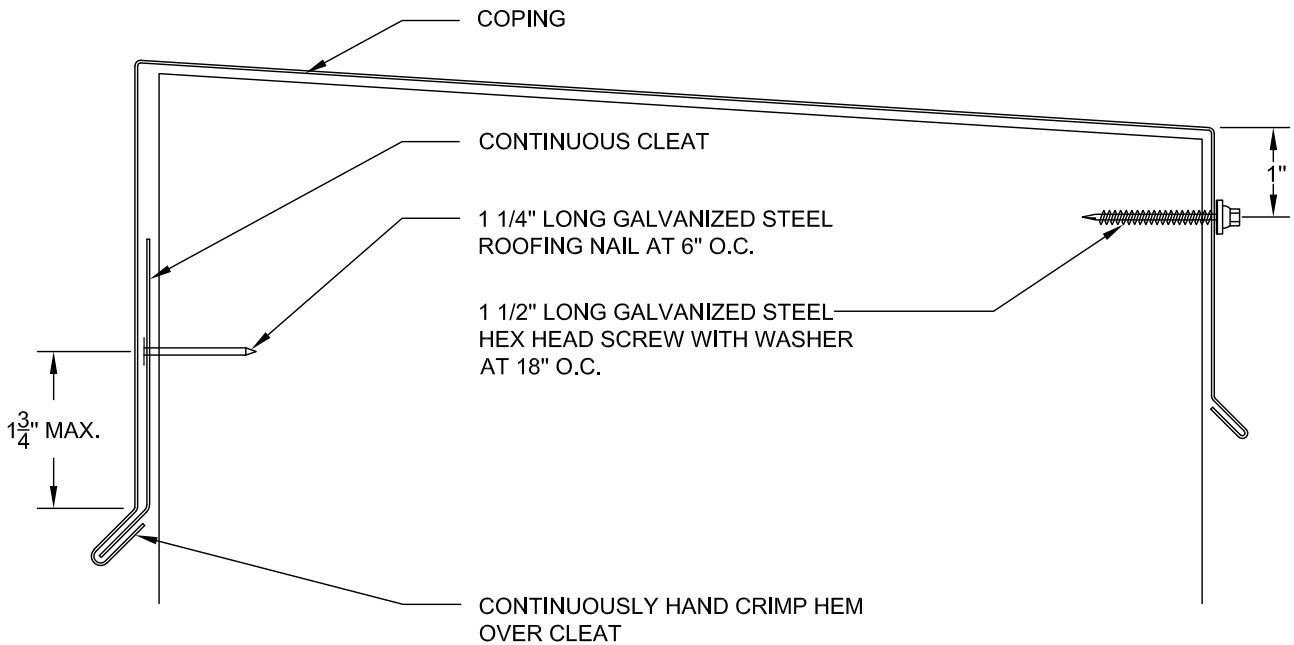
UPWARD
160 LBS./SQ. FT.

UL-6

2/15/21 REV.
2/6/17



FABRICATION



INSTALLATION

THE NRCA ROOFING MANUAL

CONSTRUCTION DETAIL C-2

NRCA UL ES-1 CERTIFICATION

COPING

• 0.040" ALUMINUM

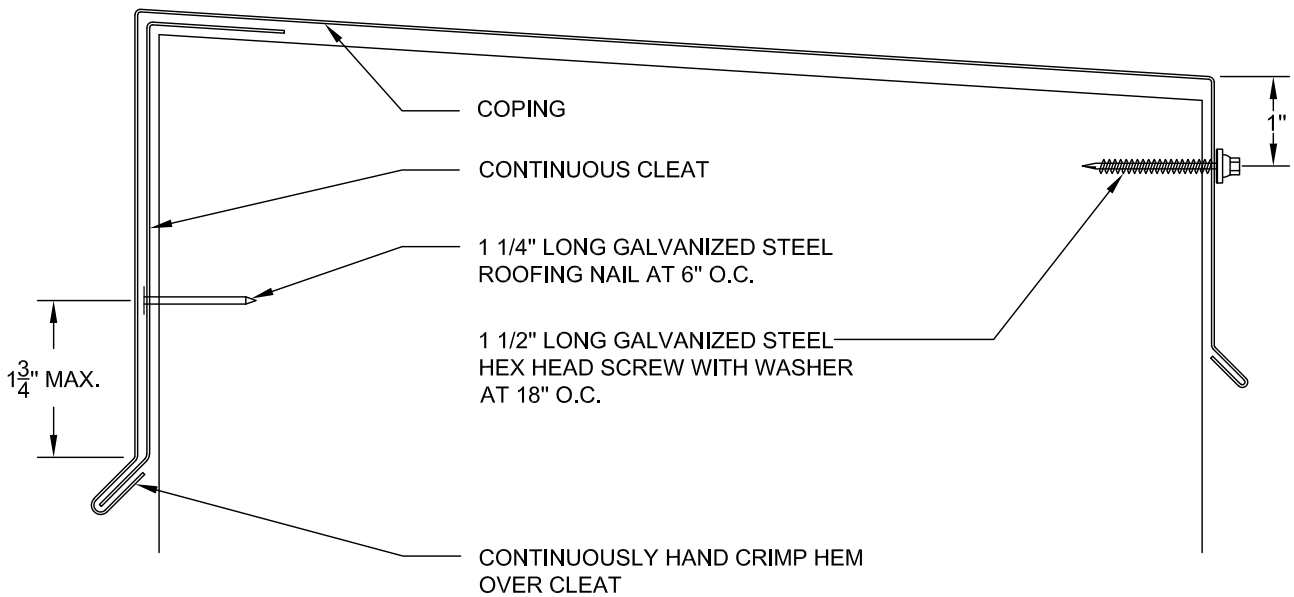
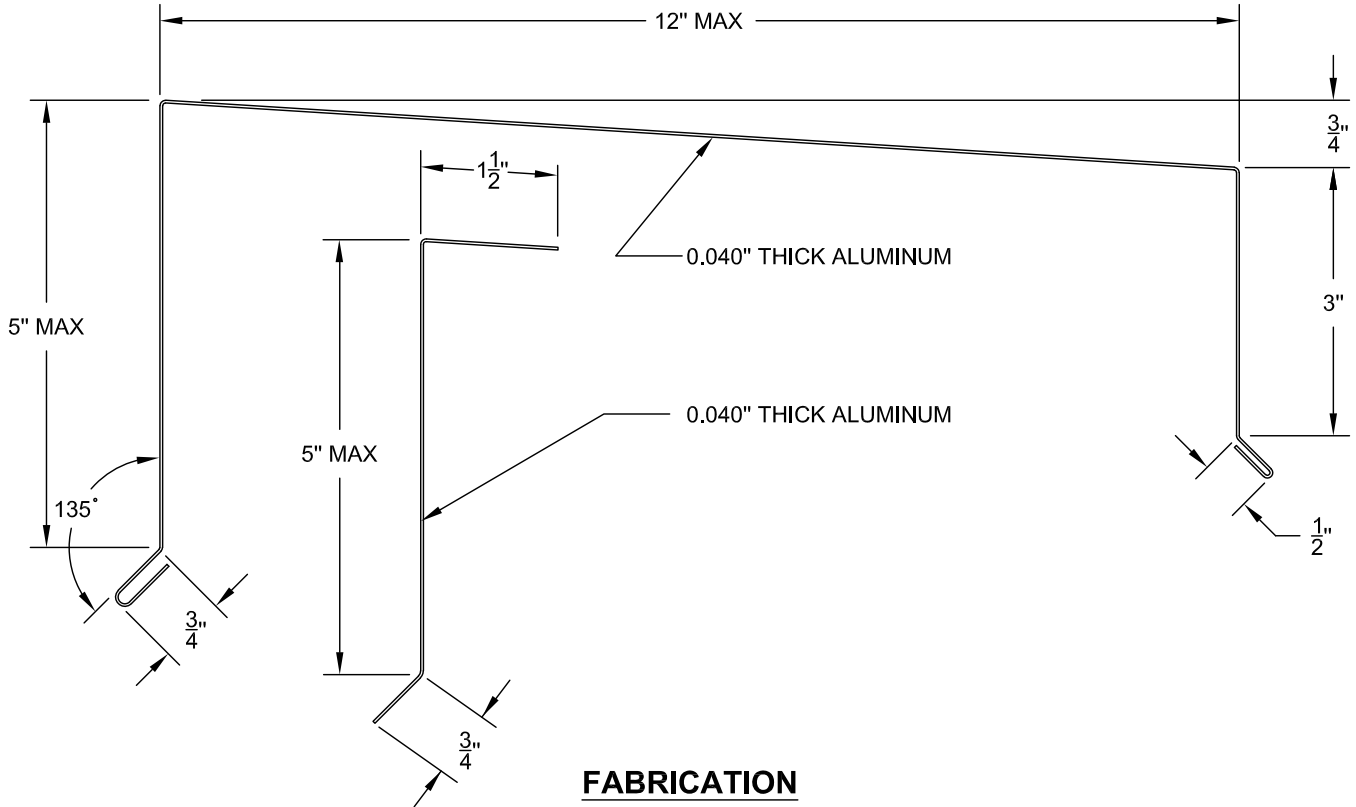
**ANSI/SPRI ES-1
TESTED RESISTANCE**

OUTWARD
95 LBS./SQ. FT.

UPWARD
160 LBS./SQ. FT.

UL-6A

2/15/21 REV.
2/6/17



INSTALLATION

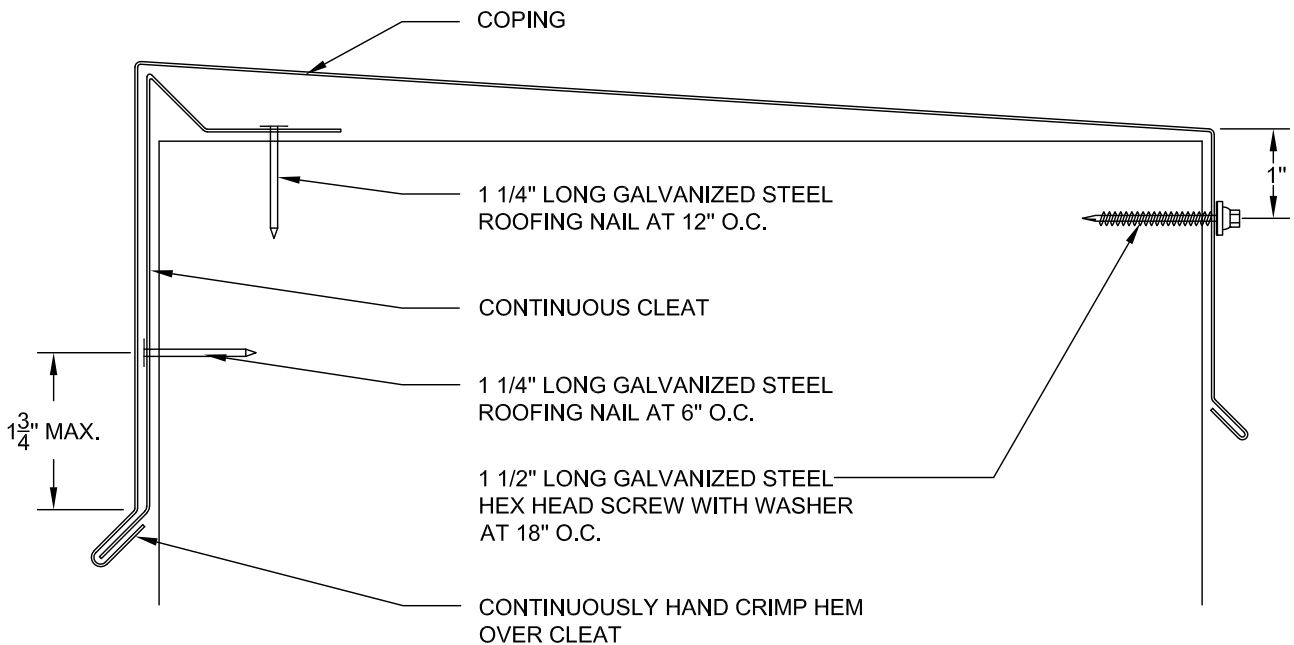
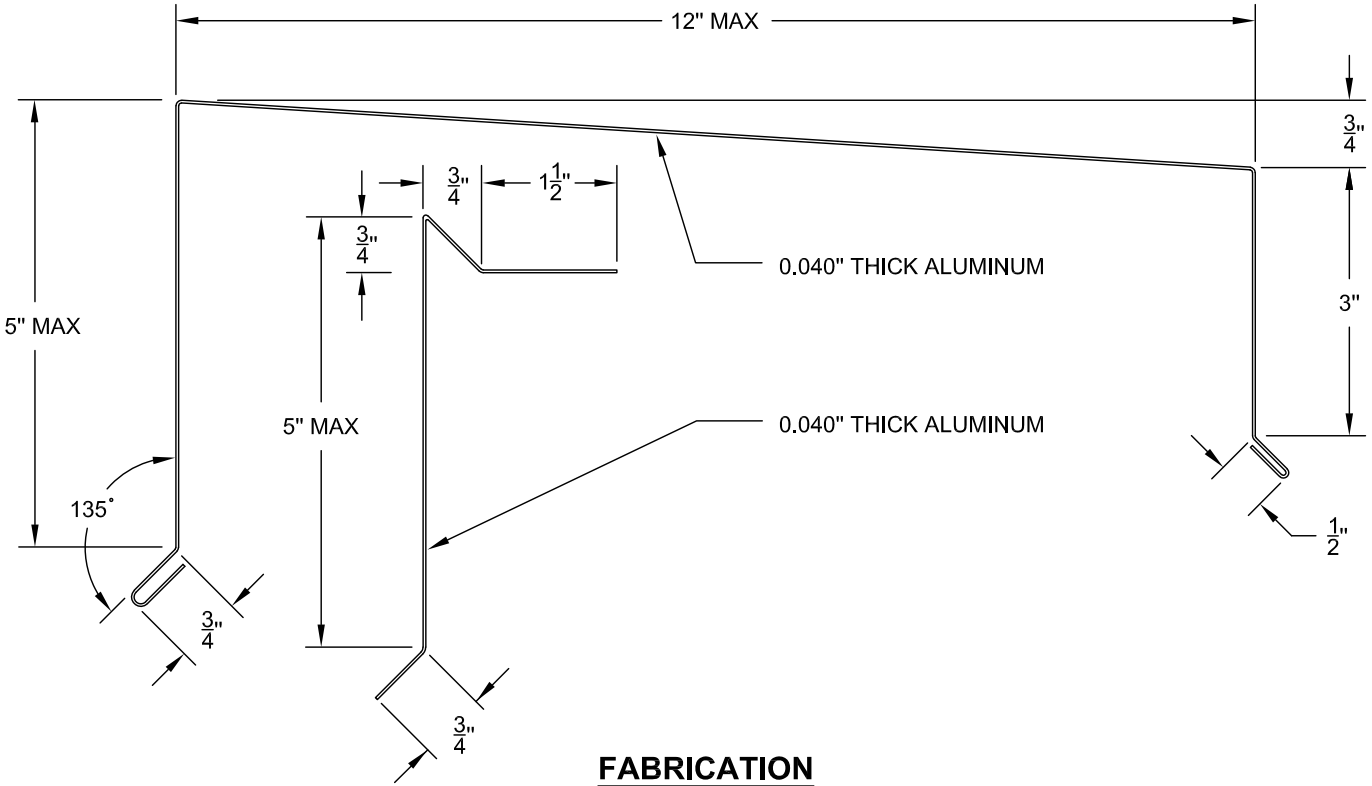
THE NRCA ROOFING MANUAL
CONSTRUCTION DETAIL C-3

COPING
0.040" ALUMINUM

**ANSI/SPRI ES-1
TESTED RESISTANCE**

OUTWARD **UPWARD**
202 LBS./SQ. FT. 330 LBS./SQ. FT.

UL-6B
2/15/21 REV.
2/6/17



INSTALLATION

THE NRCA ROOFING MANUAL
CONSTRUCTION DETAIL C-1

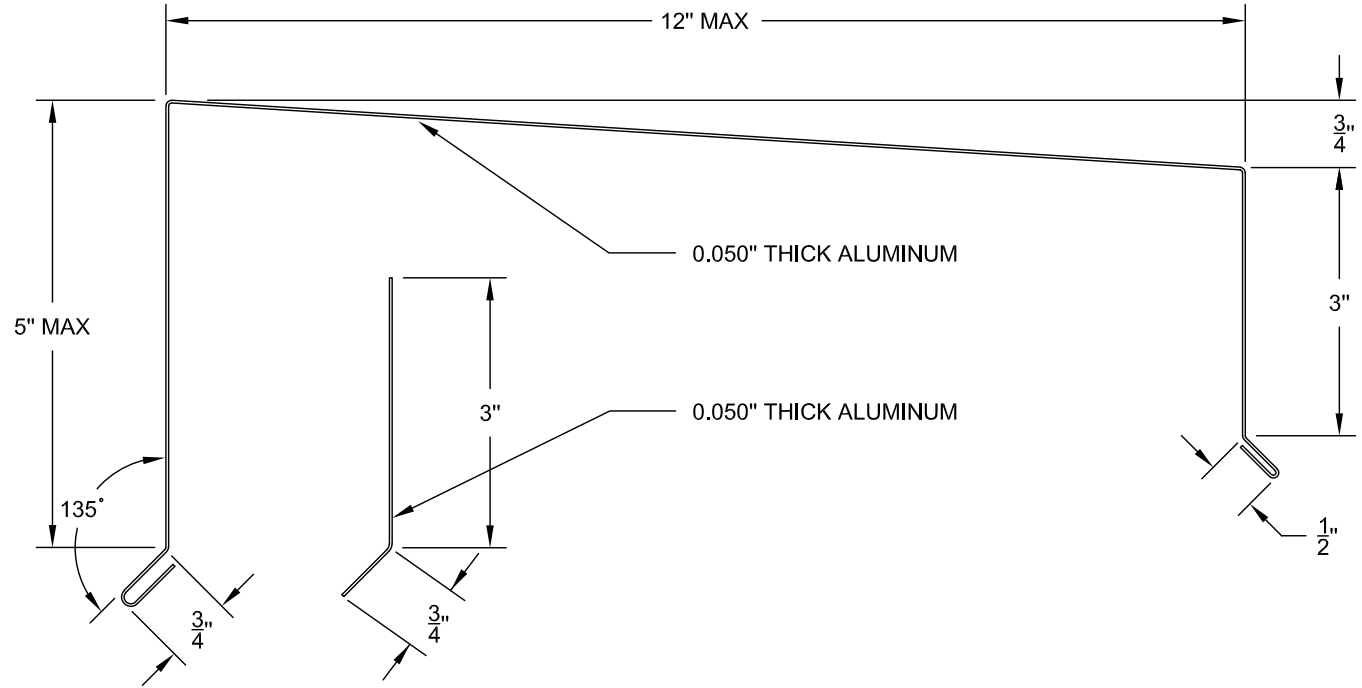
COPING
• 0.050" ALUMINUM

**ANSI/SPRI ES-1
TESTED RESISTANCE**

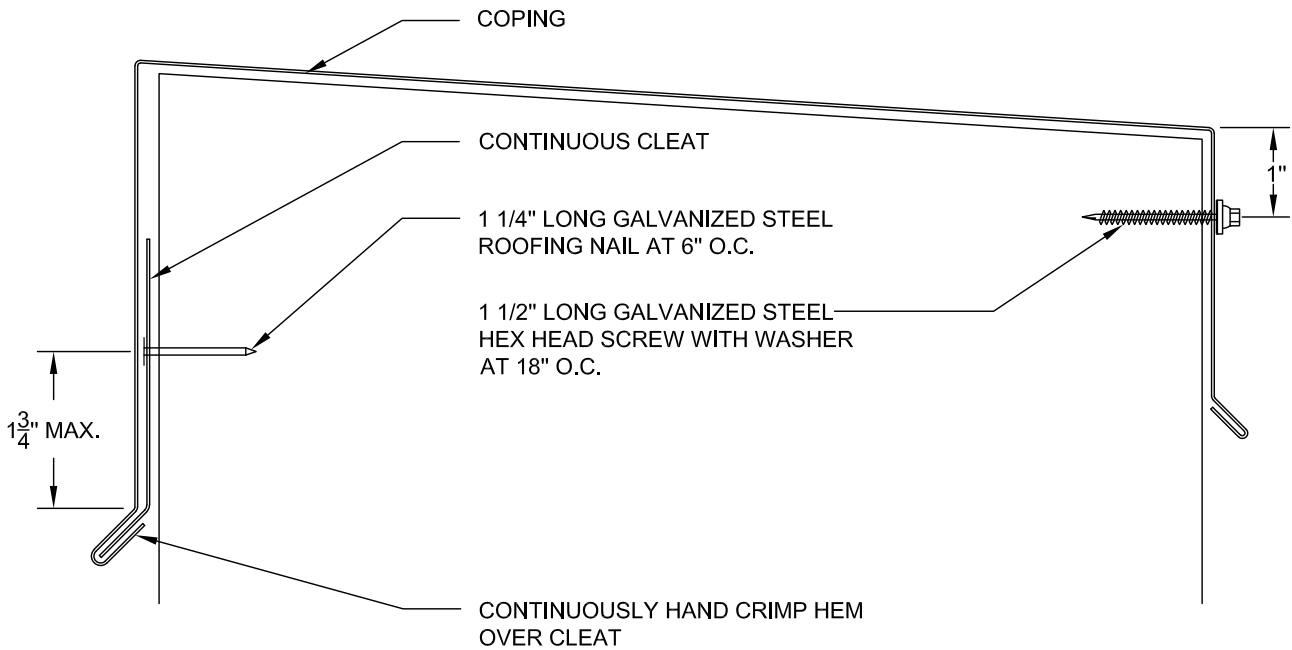
OUTWARD **UPWARD**
180 LBS./SQ. FT. 300 LBS./SQ. FT.

UL-7

2/15/21 REV.
2/6/17



FABRICATION



INSTALLATION

THE NRCA ROOFING MANUAL
CONSTRUCTION DETAIL C-2

NRCA UL ES-1 CERTIFICATION

COPING

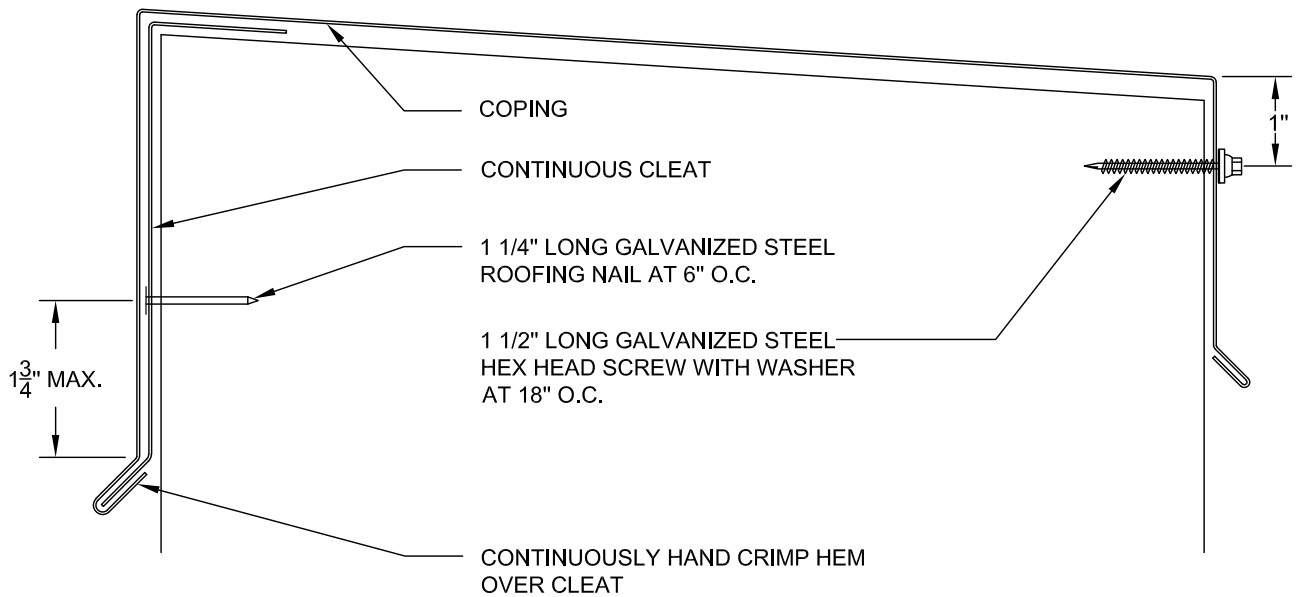
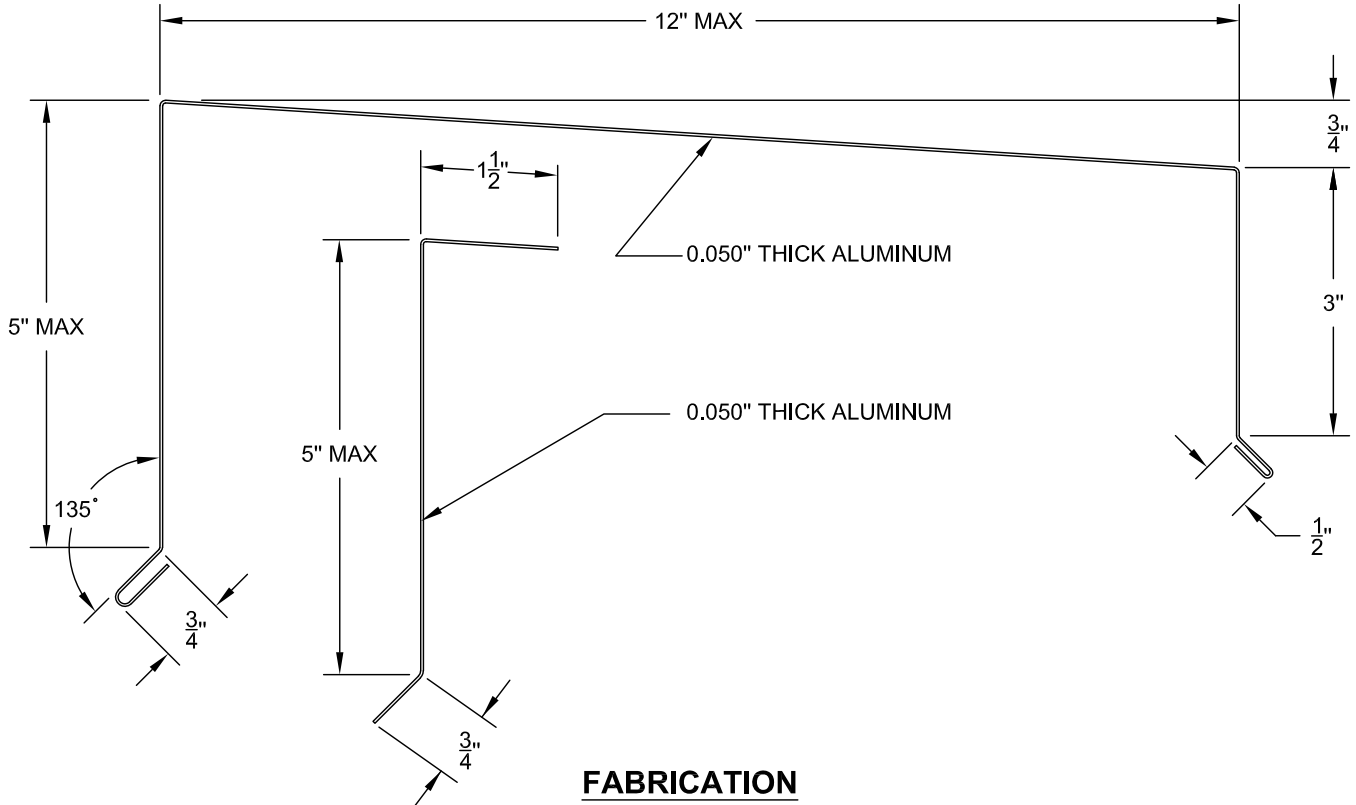
• 0.050" ALUMINUM

**ANSI/SPRI ES-1
TESTED RESISTANCE**

OUTWARD **UPWARD**
180 LBS./SQ. FT. 300 LBS./SQ. FT.

UL-7A

2/15/21 REV.
2/6/17



INSTALLATION

THE NRCA ROOFING MANUAL
CONSTRUCTION DETAIL C-1

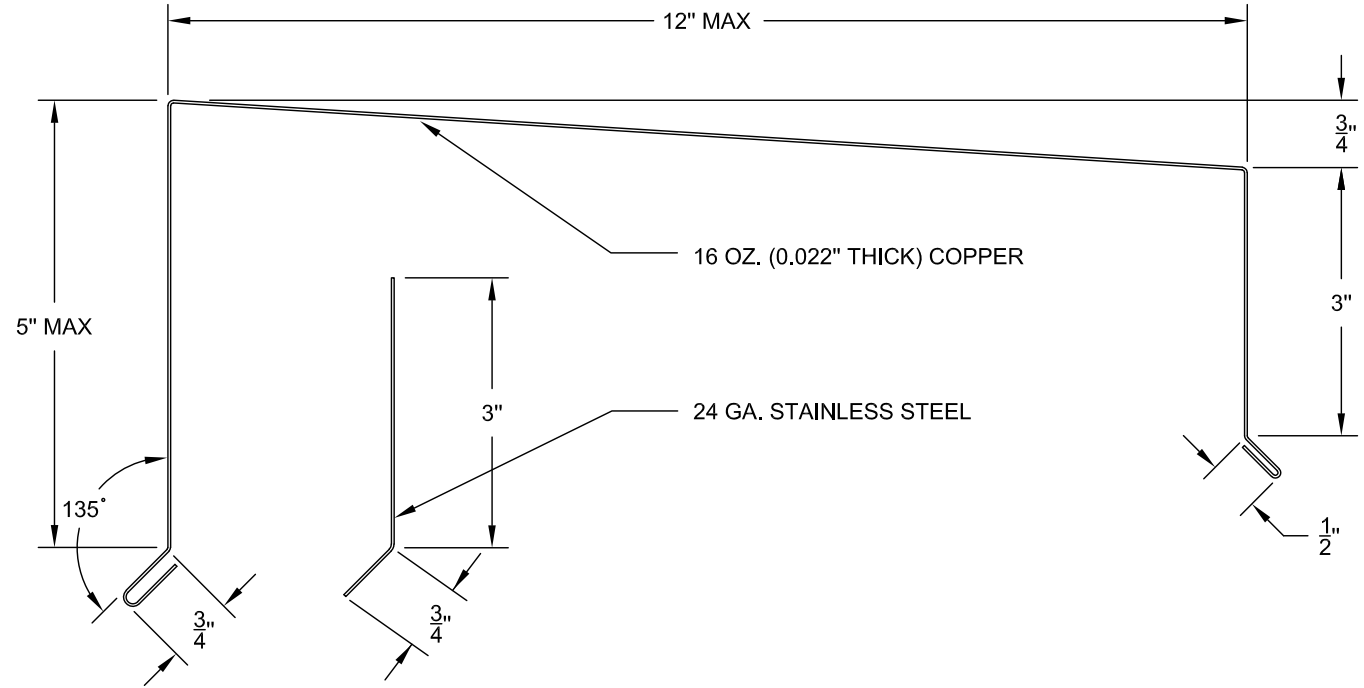
COPING
• 16 OZ. COPPER

**ANSI/SPRI ES-1
TESTED RESISTANCE**

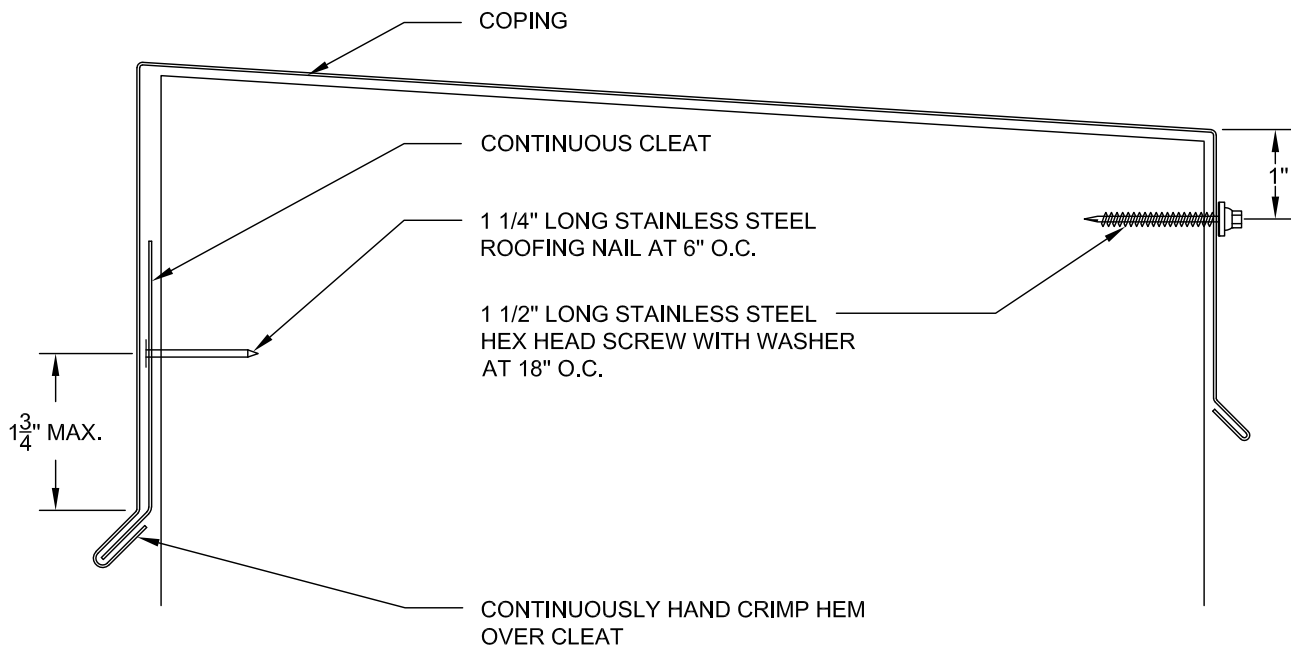
OUTWARD **UPWARD**
75 LBS./SQ. FT. 125 LBS./SQ. FT.

UL-8

2/15/21 REV.
3/1/11



FABRICATION



INSTALLATION

THE NRCA ROOFING MANUAL
CONSTRUCTION DETAIL C-2

NRCA UL ES-1 CERTIFICATION

COPING

• 16 OZ. COPPER

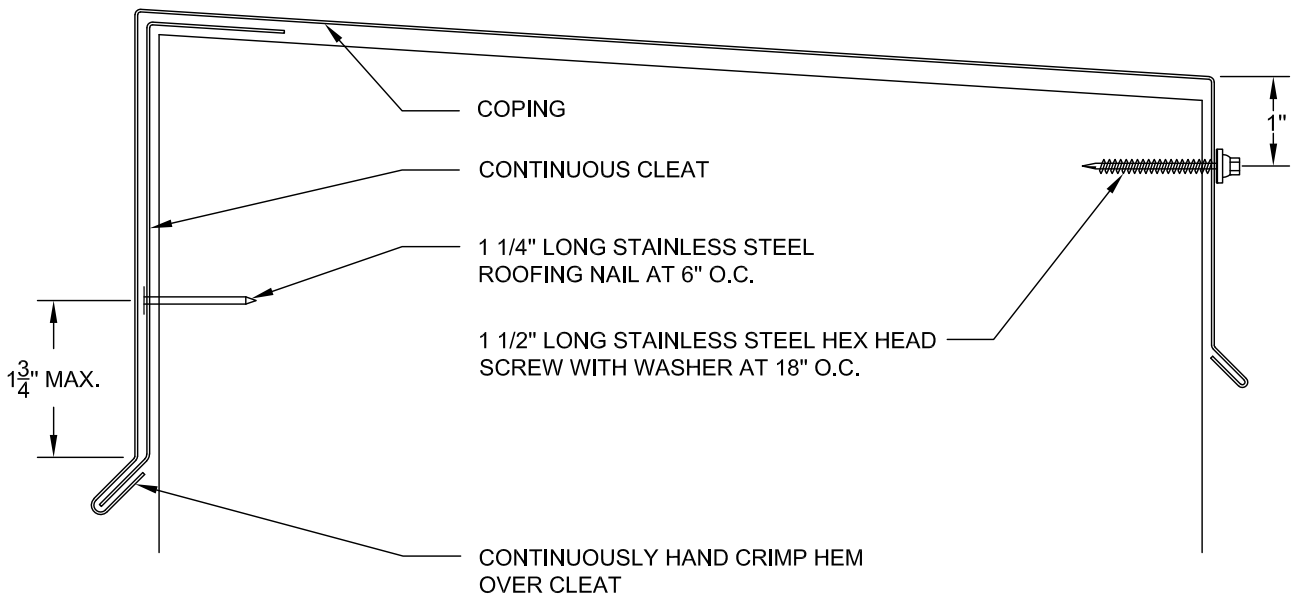
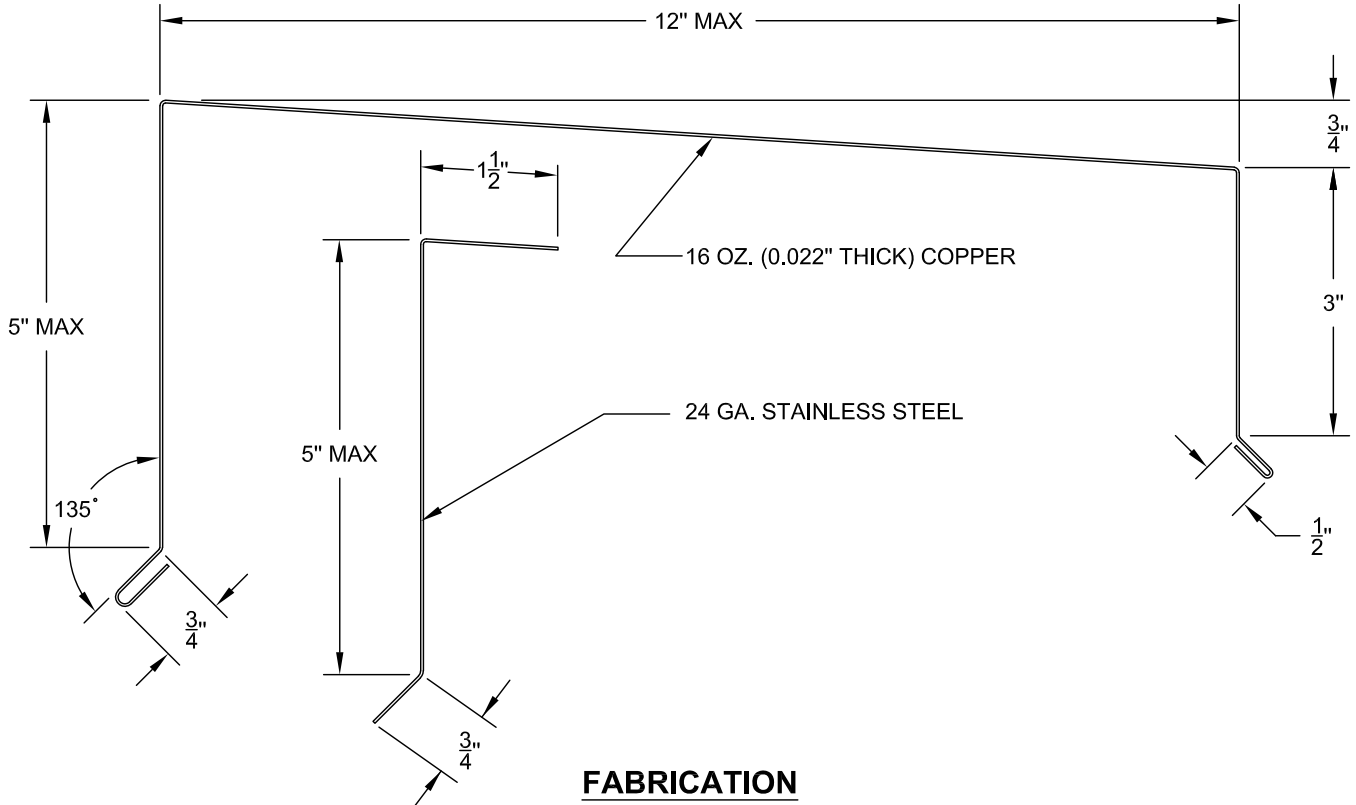
**ANSI/SPRI ES-1
TESTED RESISTANCE**

OUTWARD
75 LBS./SQ. FT.

UPWARD
125 LBS./SQ. FT.

UL-8A

2/15/21 REV.
8/1/12



THE NRCA ROOFING MANUAL
CONSTRUCTION DETAIL C-1

NRCA UL ES-1 CERTIFICATION

COPING

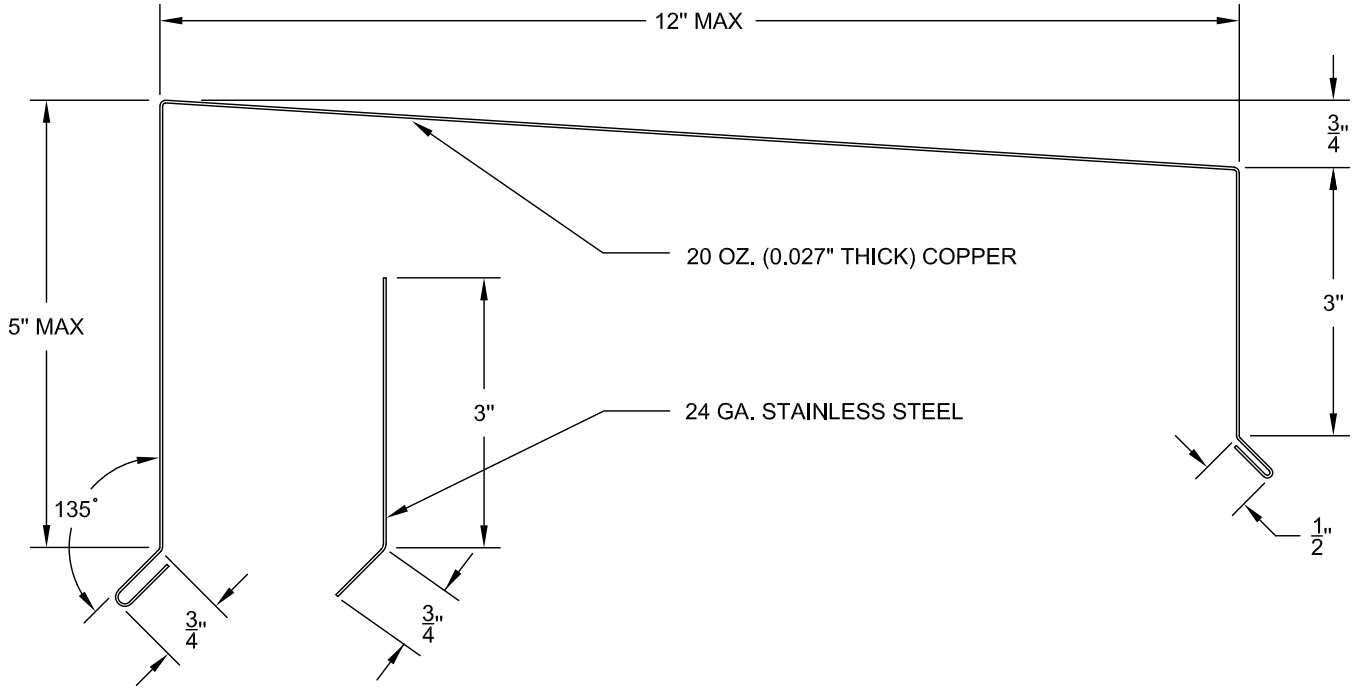
• 20 OZ. COPPER

**ANSI/SPRI ES-1
TESTED RESISTANCE**

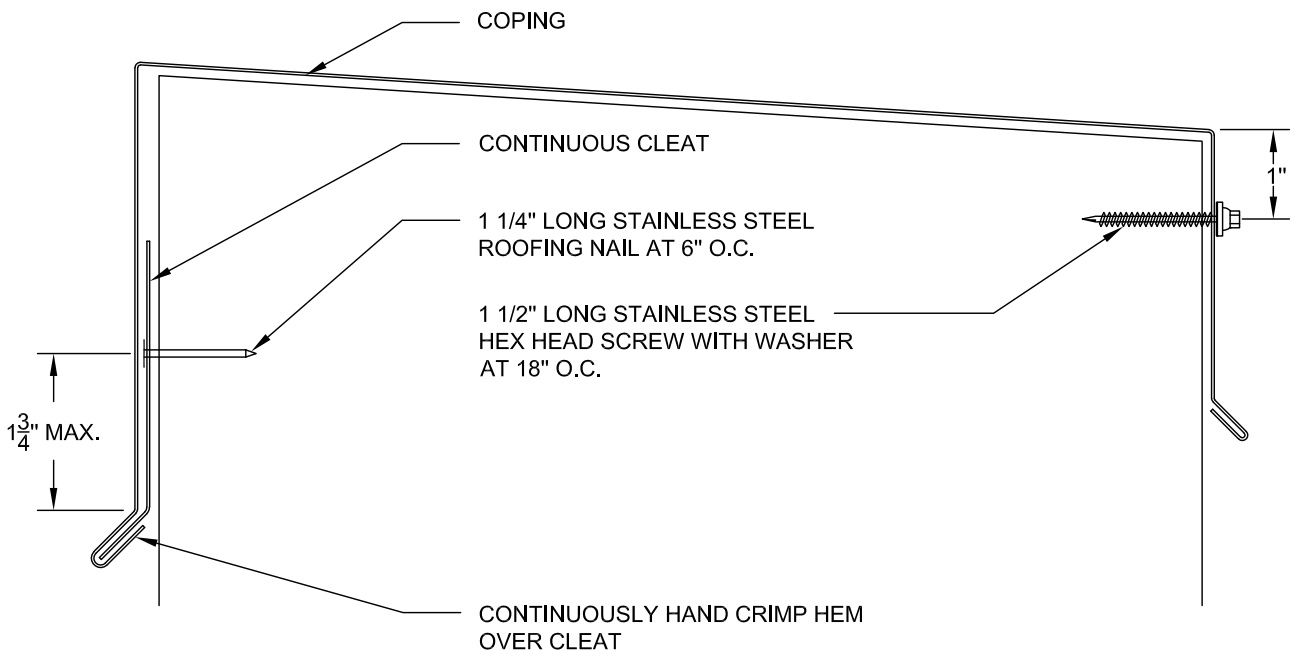
OUTWARD **UPWARD**
150 LBS./SQ. FT. 250 LBS./SQ. FT.

UL-9

2/15/21 REV.
3/1/11



FABRICATION



INSTALLATION

THE NRCA ROOFING MANUAL
CONSTRUCTION DETAIL C-2

NRCA UL ES-1 CERTIFICATION

COPING

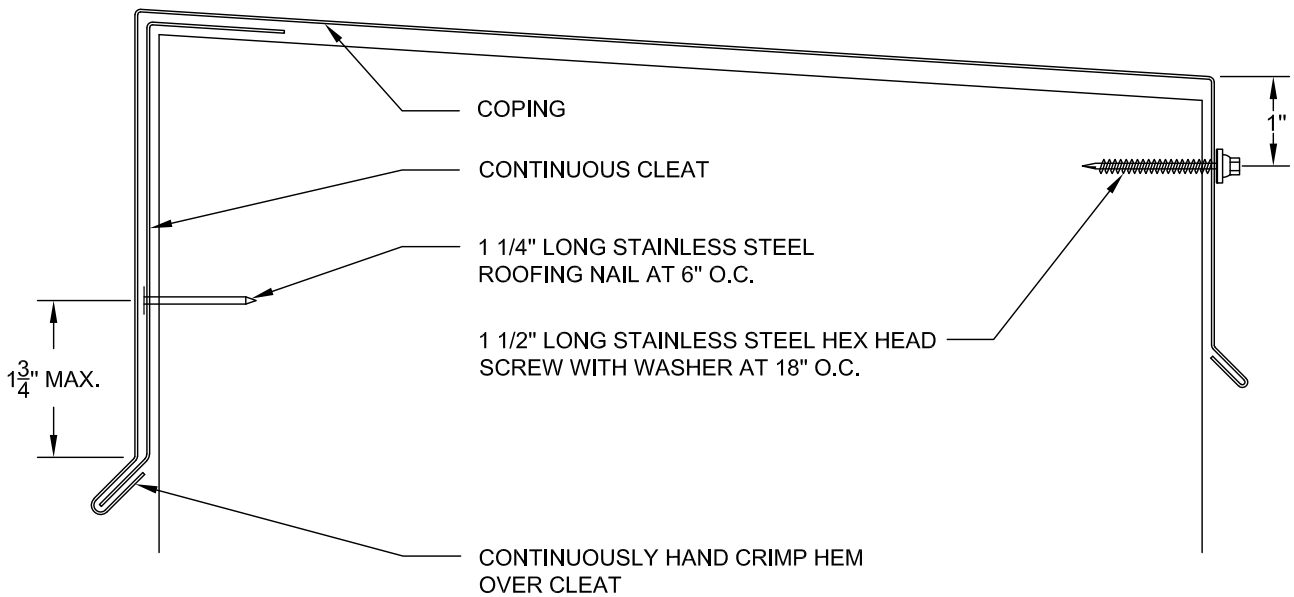
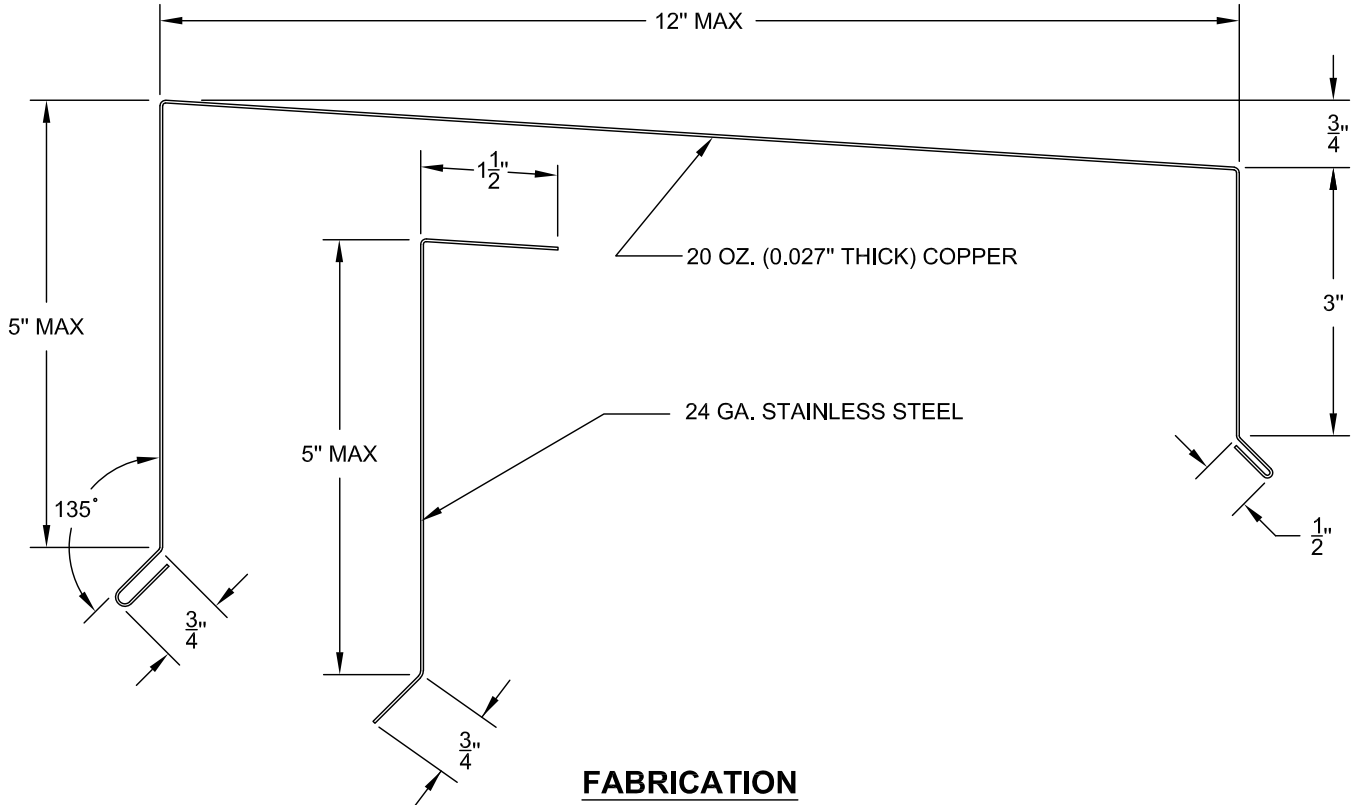
• 20 OZ. COPPER

**ANSI/SPRI ES-1
TESTED RESISTANCE**

OUTWARD **UPWARD**
150 LBS./SQ. FT. 250 LBS./SQ. FT.

UL-9A

2/15/21 REV.
8/1/12



THE NRCA ROOFING MANUAL

CONSTRUCTION DETAIL C-1

NRCA UL ES-1 CERTIFICATION

COPING

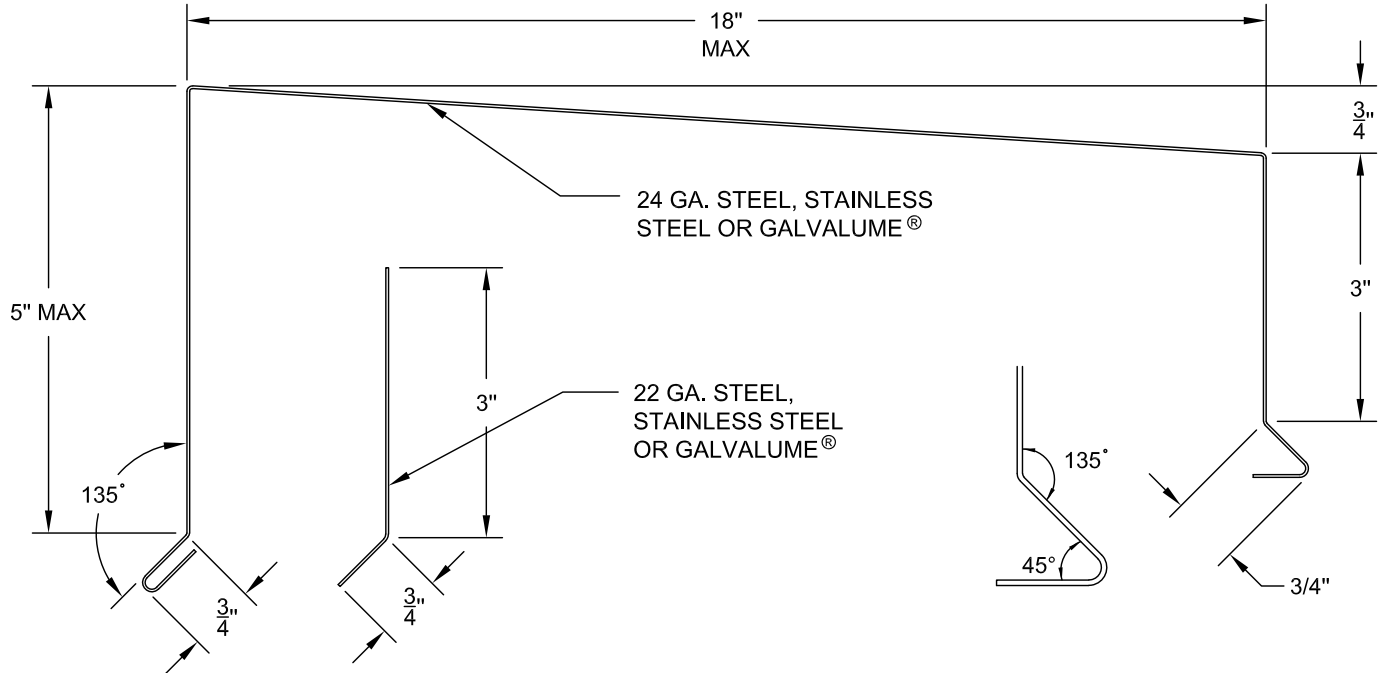
- 24 GA. STEEL
- 24 GA. STAINLESS STEEL
- 24 GA. GALVALUME®

**ANSI/SPRI ES-1
TESTED RESISTANCE**

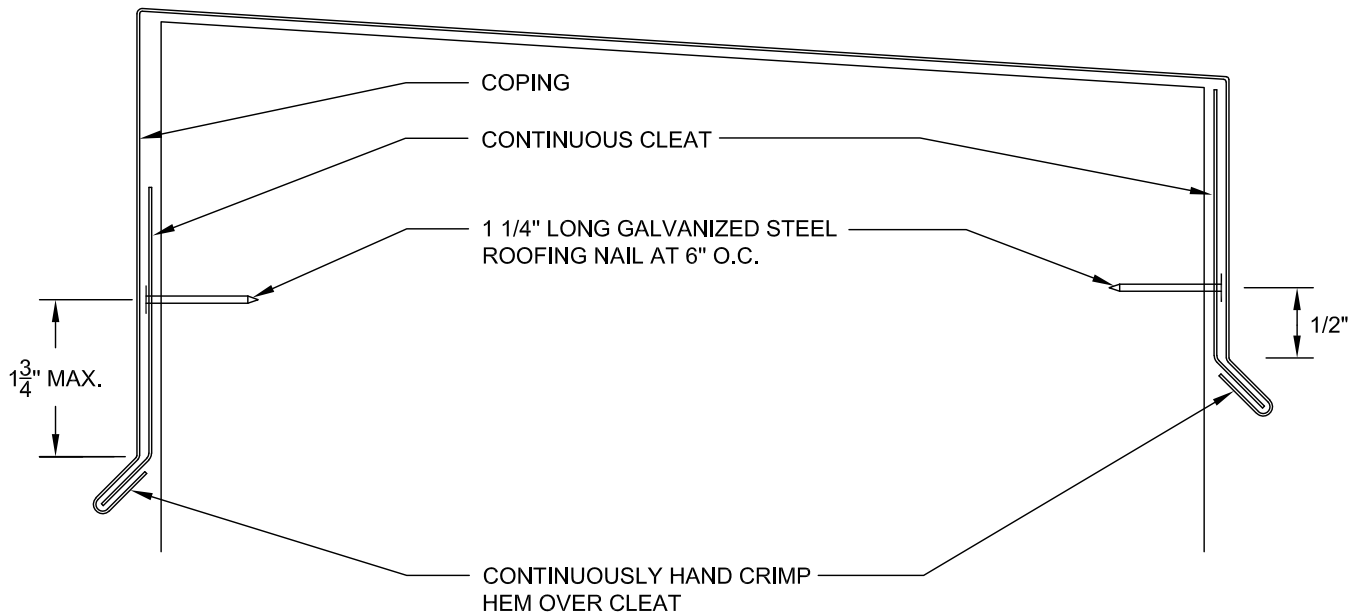
OUTWARD **UPWARD**
145 LBS./SQ. FT. 240 LBS./SQ. FT.

UL-10

2/15/21 REV.
10/30/15



FABRICATION



INSTALLATION

THE NRCA ROOFING MANUAL
CONSTRUCTION DETAIL C-2

COPING

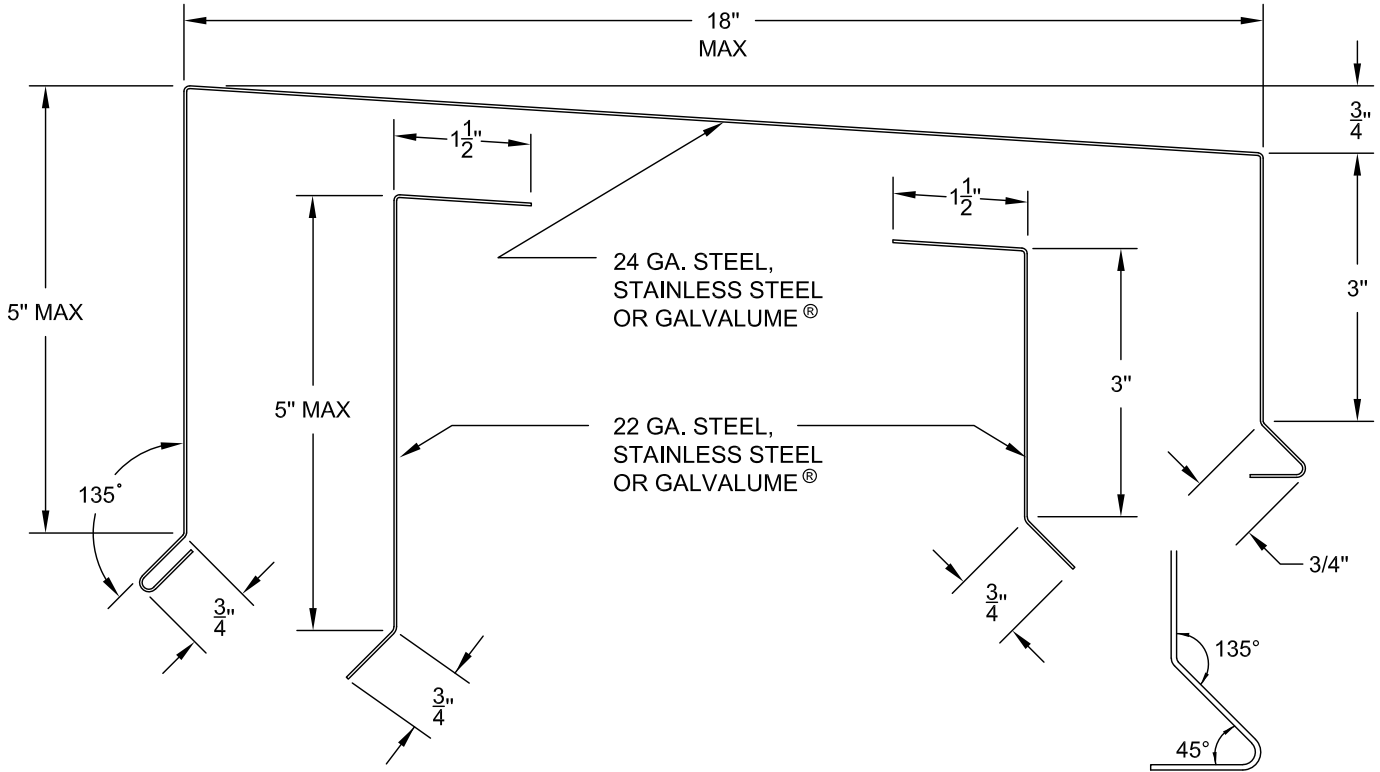
- 24 GA. STEEL
- 24 GA. STAINLESS STEEL
- 24 GA. GALVALUME®

**ANSI/SPRI ES-1
TESTED RESISTANCE**

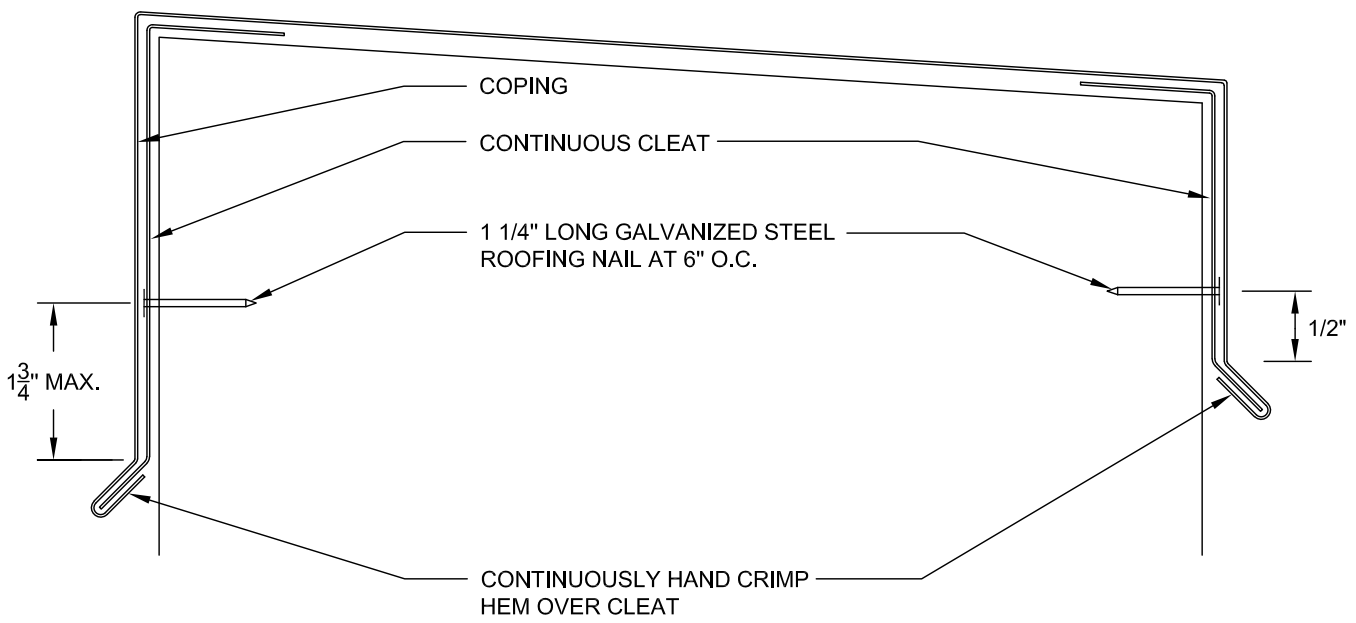
- | | |
|------------------|------------------|
| OUTWARD | UPWARD |
| 145 LBS./SQ. FT. | 240 LBS./SQ. FT. |

UL-10A

2/15/21 REV.
10/30/15



FABRICATION



INSTALLATION

THE NRCA ROOFING MANUAL

CONSTRUCTION DETAIL C-1

NRCA UL ES-1 CERTIFICATION

COPING

• 0.040" ALUMINUM

**ANSI/SPRI ES-1
TESTED RESISTANCE**

OUTWARD

145 LBS./SQ. FT.

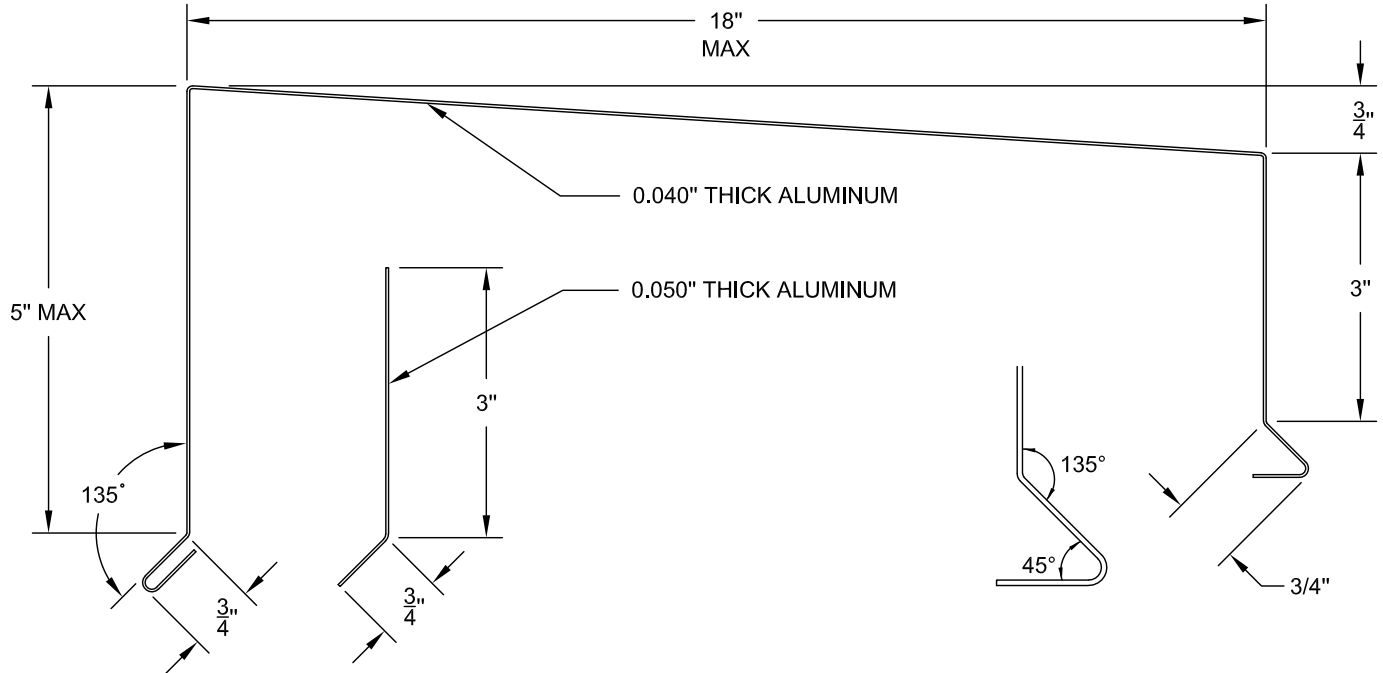
UPWARD

240 LBS./SQ. FT.

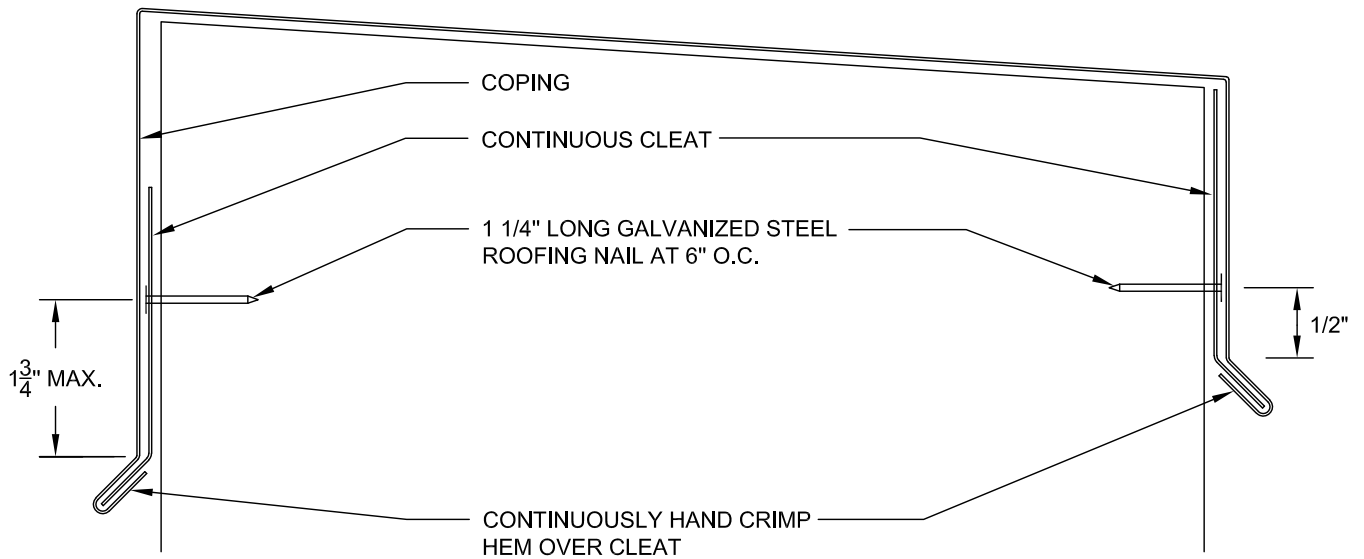
UL-11

2/15/21 REV.

2/6/17



FABRICATION



INSTALLATION

THE NRCA ROOFING MANUAL
CONSTRUCTION DETAIL C-2

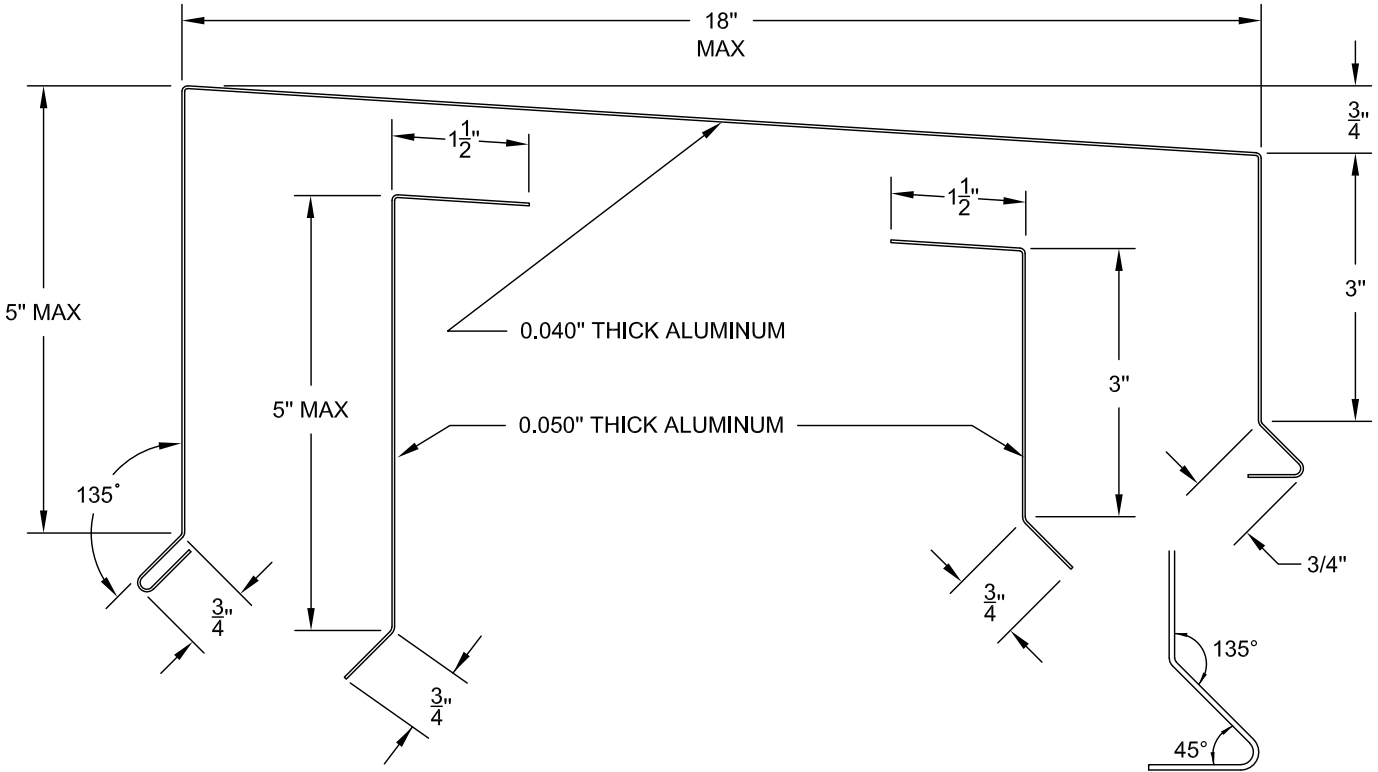
COPING
• 0.040" ALUMINUM

**ANSI/SPRI ES-1
TESTED RESISTANCE**

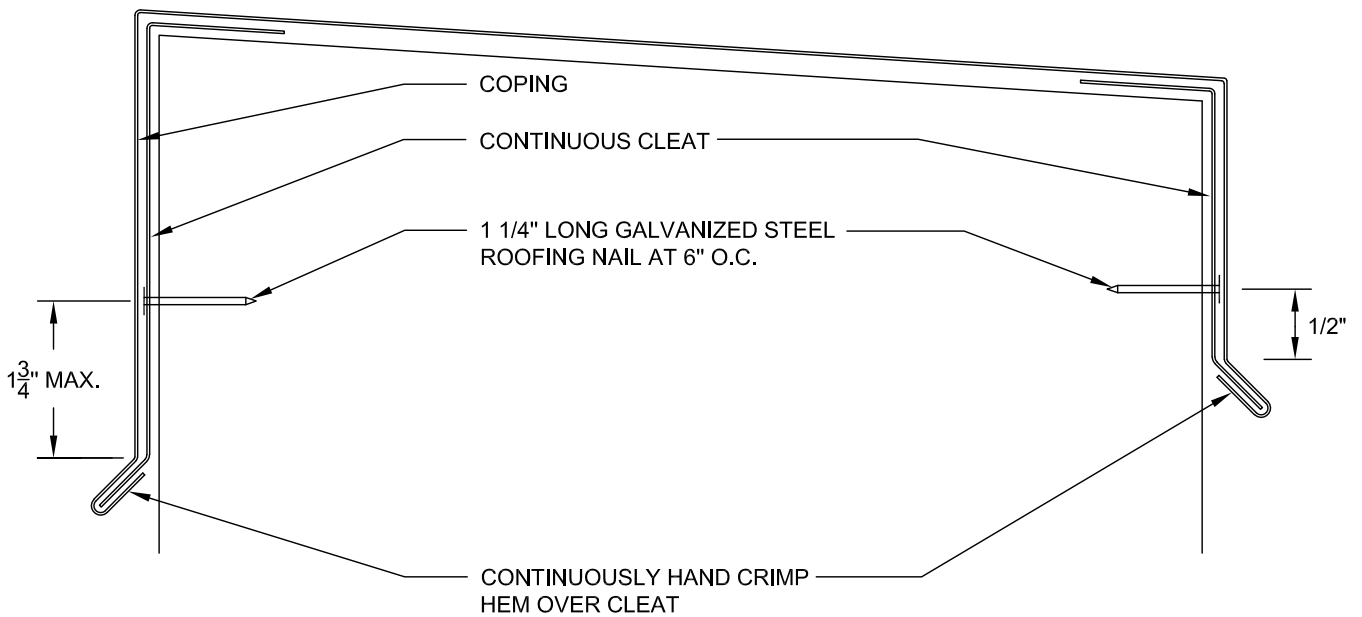
OUTWARD **UPWARD**
145 LBS./SQ. FT. 240 LBS./SQ. FT.

UL-11A

2/15/21 REV.
2/6/17



FABRICATION



INSTALLATION

THE NRCA ROOFING MANUAL

CONSTRUCTION DETAIL C-1

NRCA UL ES-1 CERTIFICATION

COPING

- 24 GA. STEEL
- 24 GA. STAINLESS STEEL
- 24 GA. GALVALUME®

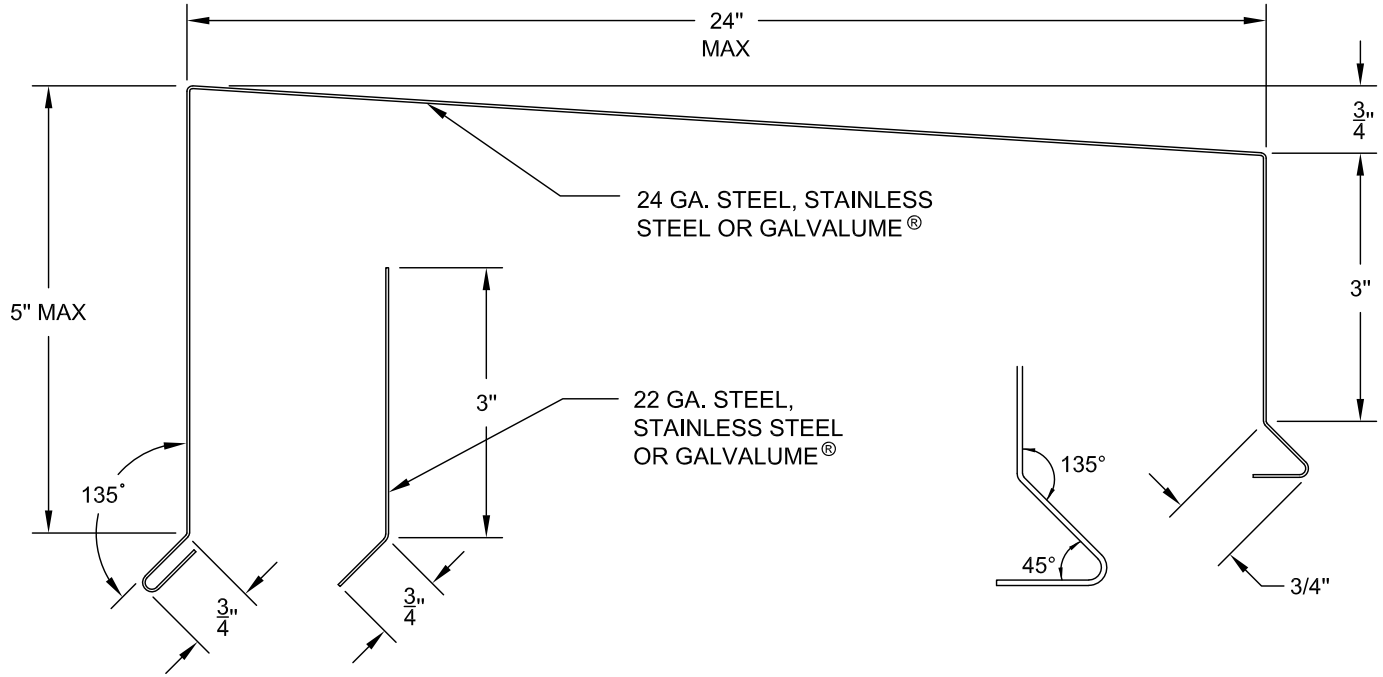
**ANSI/SPRI ES-1
TESTED RESISTANCE**

OUTWARD
90 LBS./SQ. FT.

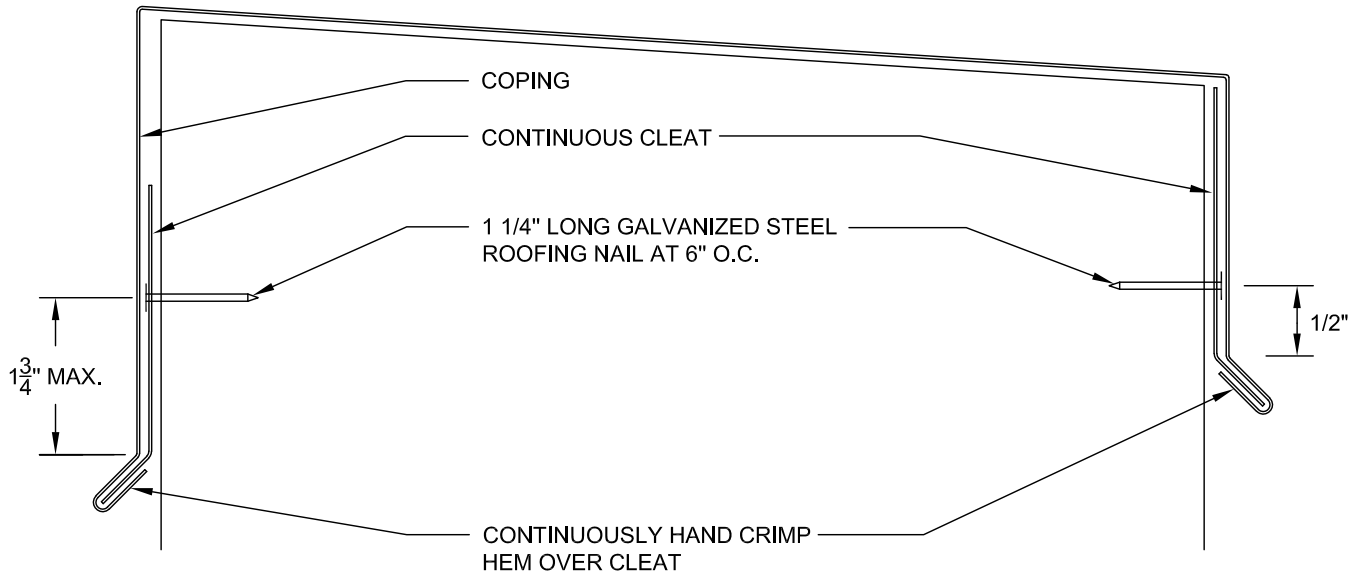
UPWARD
150 LBS./SQ. FT.

UL-12

2/15/21 REV.
10/30/15



FABRICATION



INSTALLATION

THE NRCA ROOFING MANUAL
CONSTRUCTION DETAIL C-2

COPING

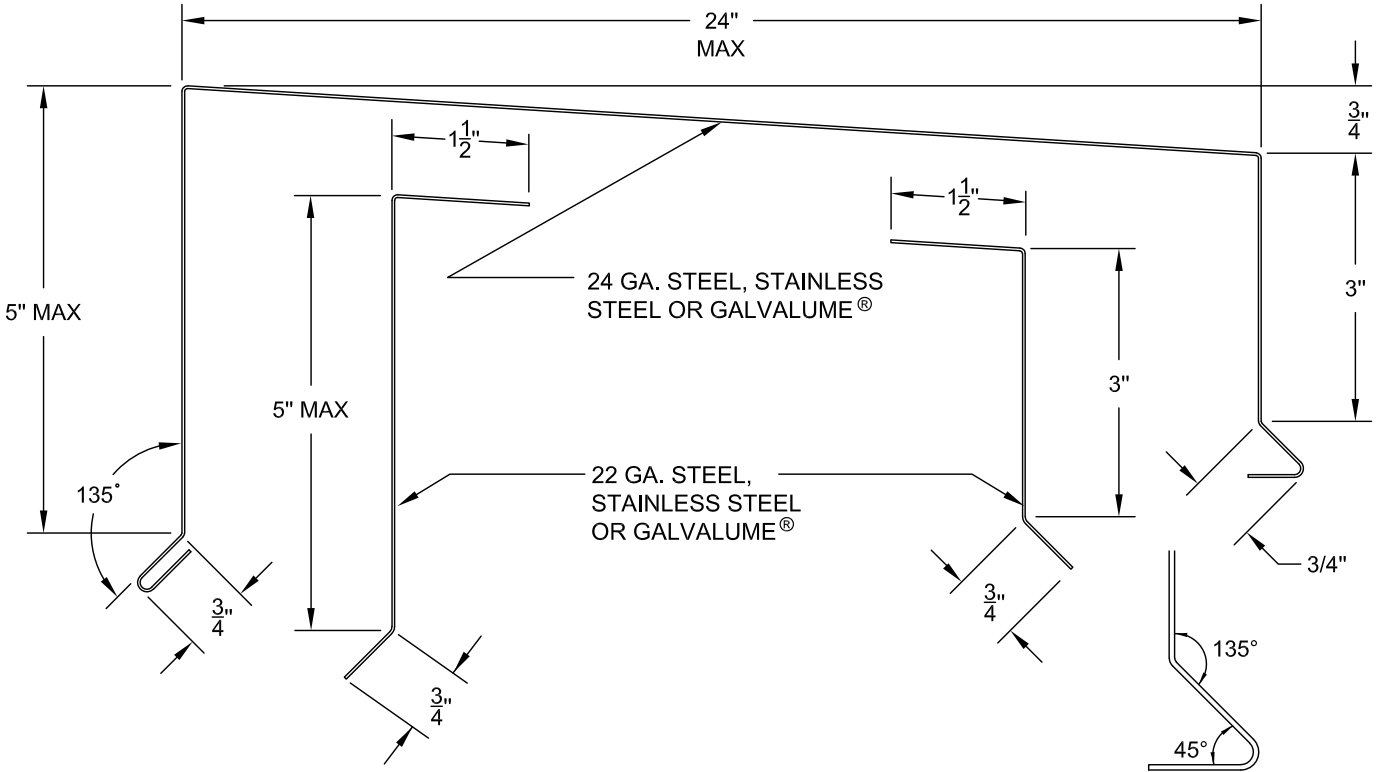
- 24 GA. STEEL
- 24 GA. STAINLESS STEEL
- 24 GA. GALVALUME®

**ANSI/SPRI ES-1
TESTED RESISTANCE**

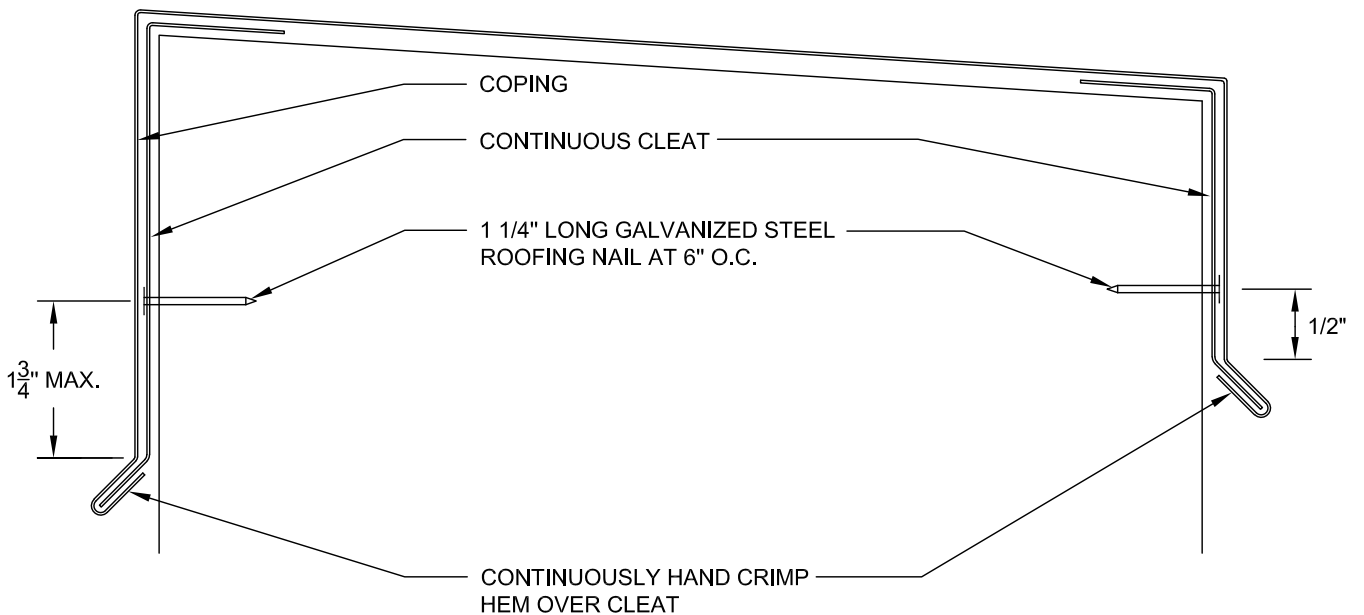
- | | |
|-----------------------------------|-----------------------------------|
| OUTWARD
90 LBS./SQ. FT. | UPWARD
150 LBS./SQ. FT. |
|-----------------------------------|-----------------------------------|

UL-12A

2/15/21 REV.
10/30/15



FABRICATION



INSTALLATION

THE NRCA ROOFING MANUAL

CONSTRUCTION DETAIL C-1

NRCA UL ES-1 CERTIFICATION

COPING

• 0.050" ALUMINUM

**ANSI/SPRI ES-1
TESTED RESISTANCE**

OUTWARD

120 LBS./SQ. FT.

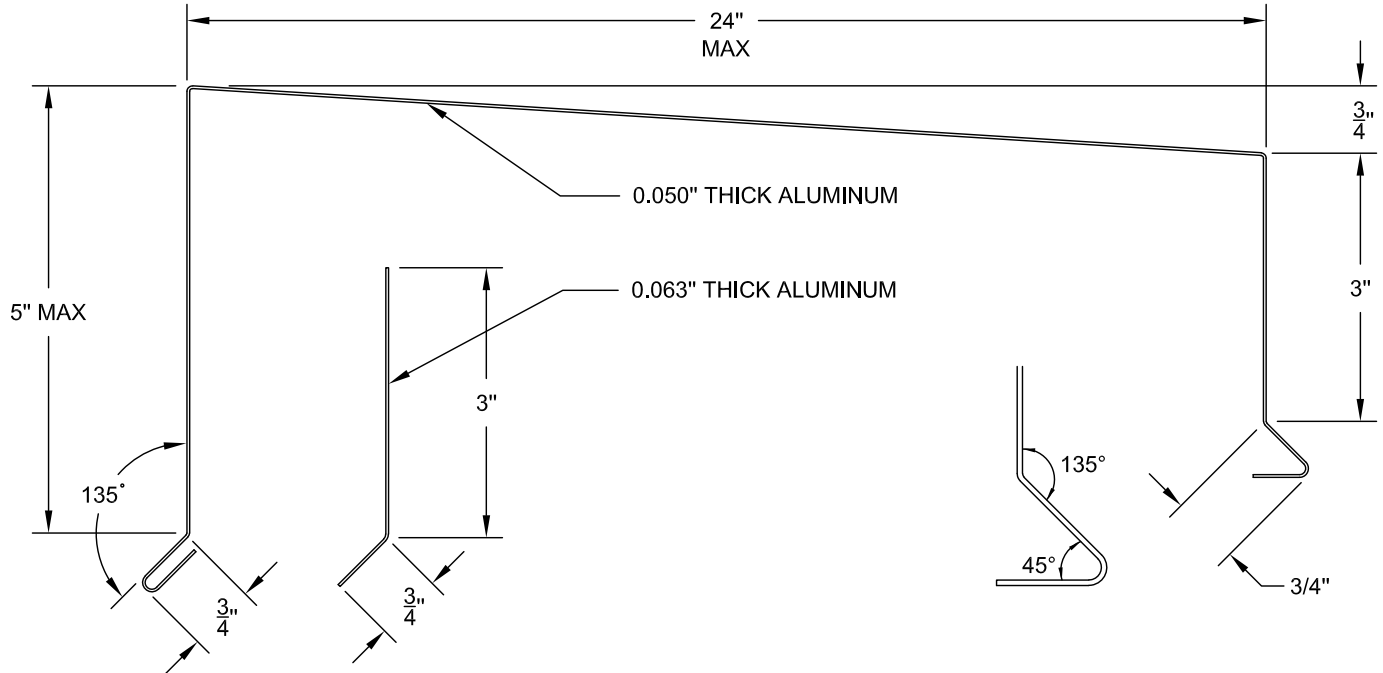
UPWARD

200 LBS./SQ. FT.

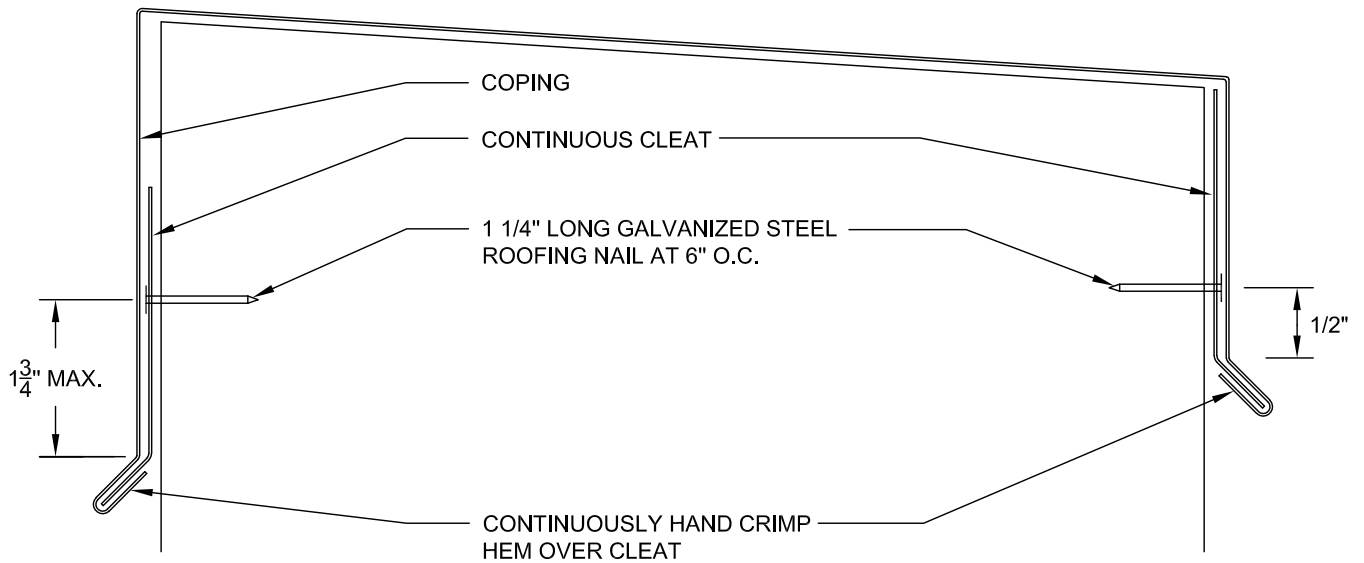
UL-13

2/15/21 REV.

2/6/17



FABRICATION



INSTALLATION

THE NRCA ROOFING MANUAL
CONSTRUCTION DETAIL C-2

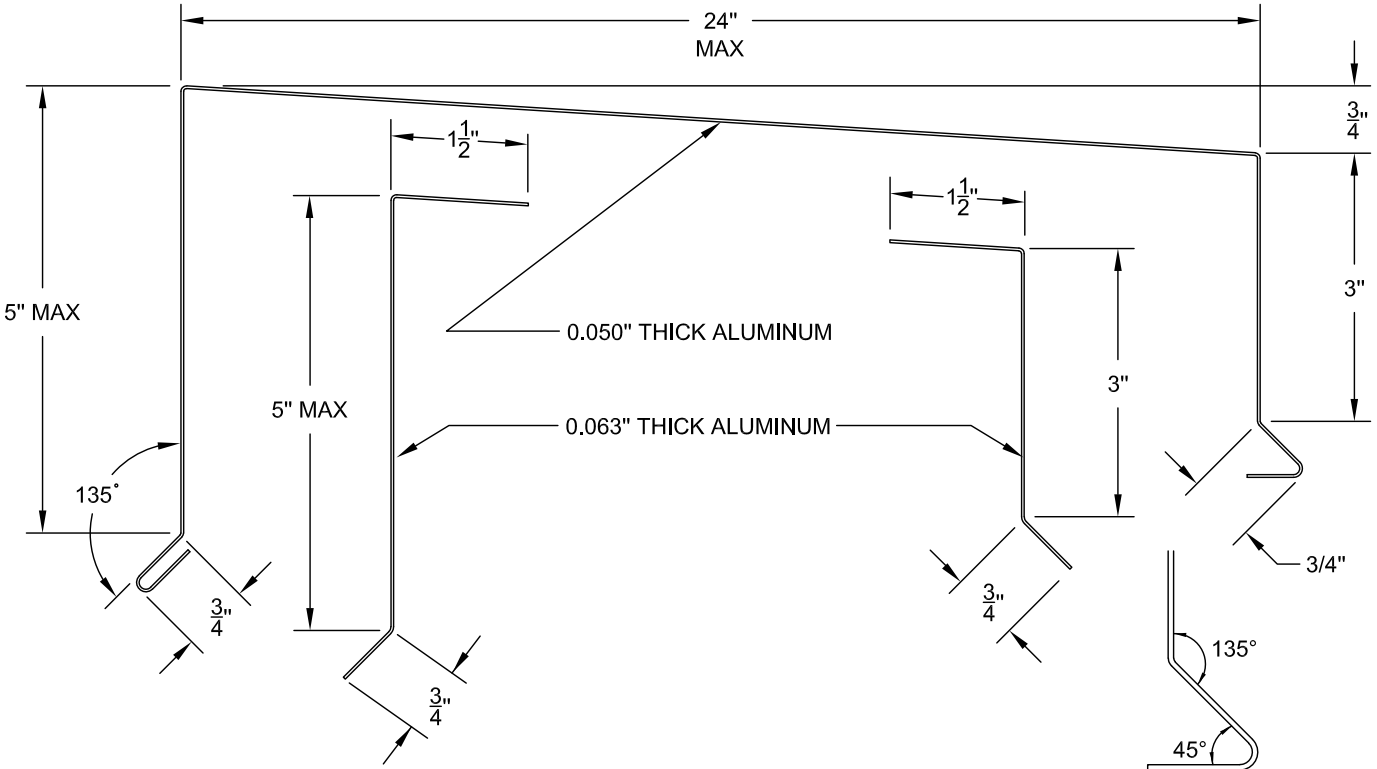
COPING
• 0.050" ALUMINUM

**ANSI/SPRI ES-1
TESTED RESISTANCE**

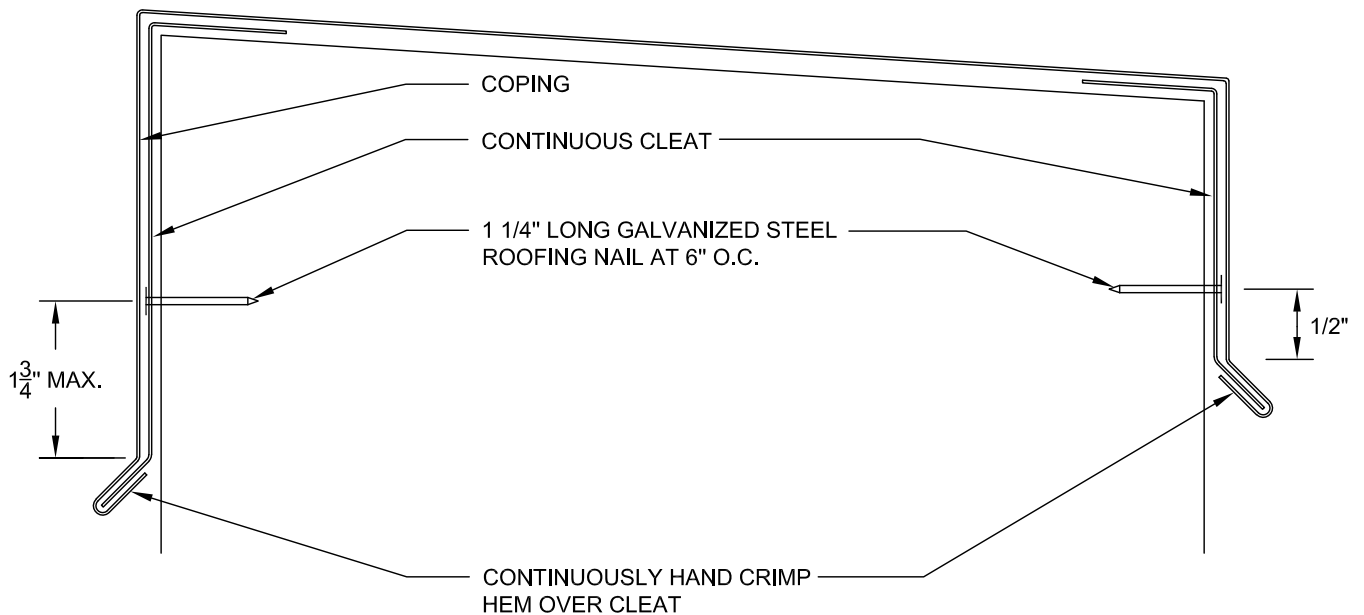
OUTWARD **UPWARD**
120 LBS./SQ. FT. 200 LBS./SQ. FT.

UL-13A

2/15/21 REV.
2/6/17



FABRICATION



INSTALLATION

THE NRCA ROOFING MANUAL

CONSTRUCTION DETAIL C-6

NRCA UL ES-1 CERTIFICATION

COPING WITH FLAT DRIP

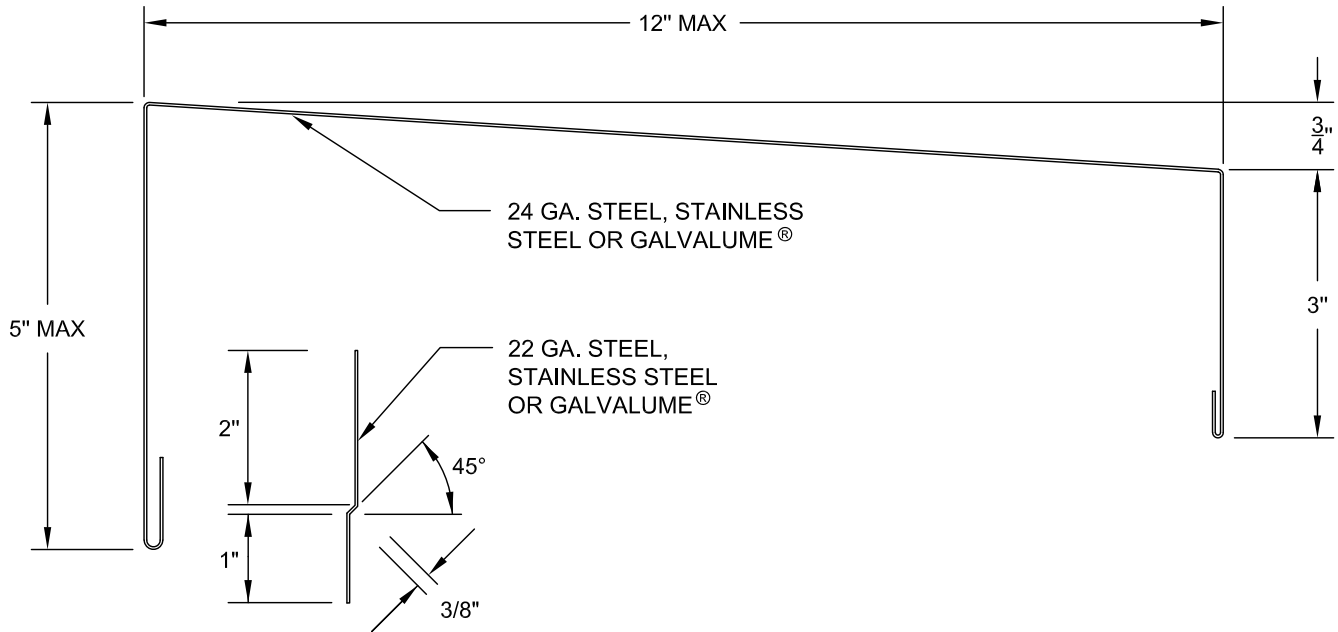
- 24 GA. STEEL
- 24 GA. STAINLESS STEEL
- 24 GA. GALVALUME®

**ANSI/SPRI ES-1
TESTED RESISTANCE**

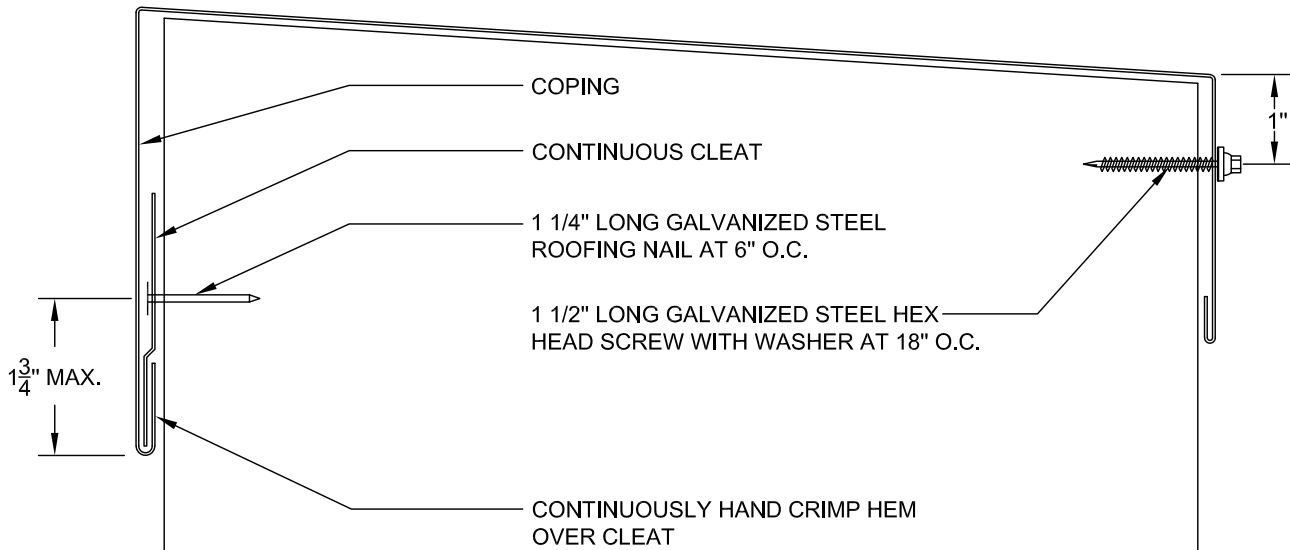
OUTWARD **UPWARD**
235 LBS./SQ. FT. 390 LBS./SQ. FT.

UL-14

2/15/21 REV.
10/30/15



FABRICATION



INSTALLATION

THE NRCA ROOFING MANUAL

CONSTRUCTION DETAIL C-7

NRCA UL ES-1 CERTIFICATION

COPING WITH FLAT DRIP

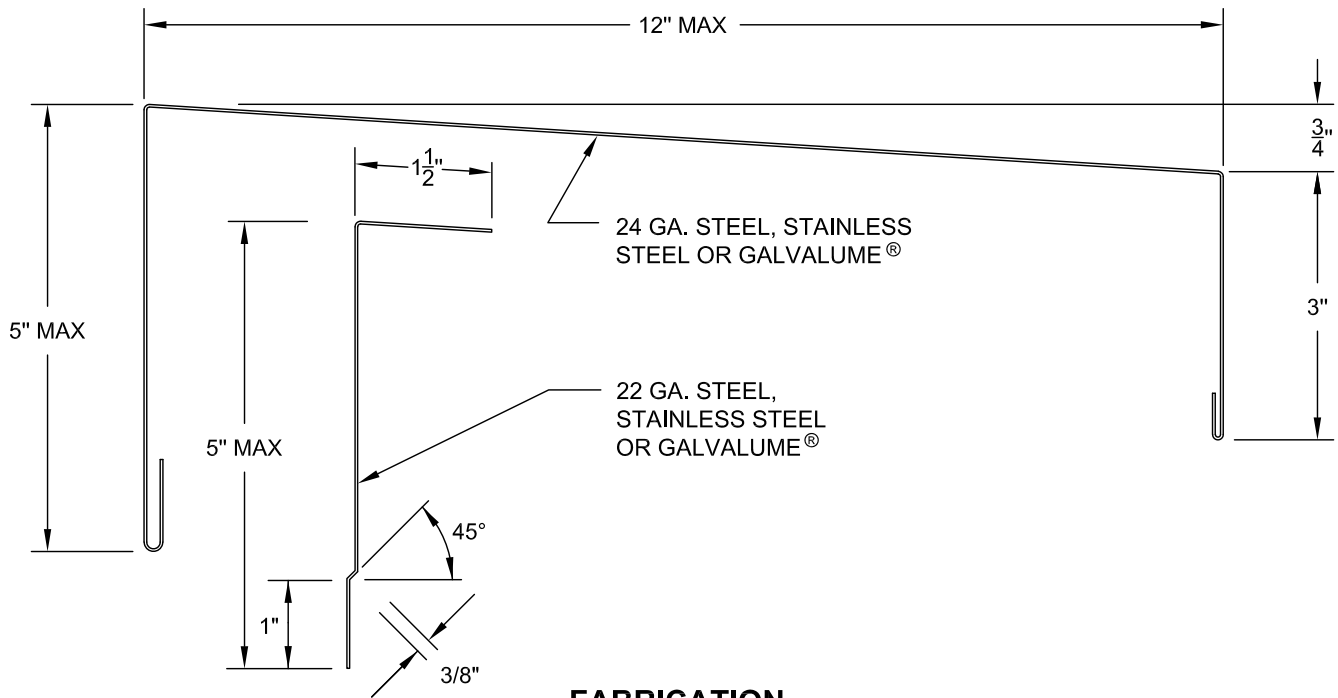
- 24 GA. STEEL
- 24 GA. STAINLESS STEEL
- 24 GA. GALVALUME®

**ANSI/SPRI ES-1
TESTED RESISTANCE**

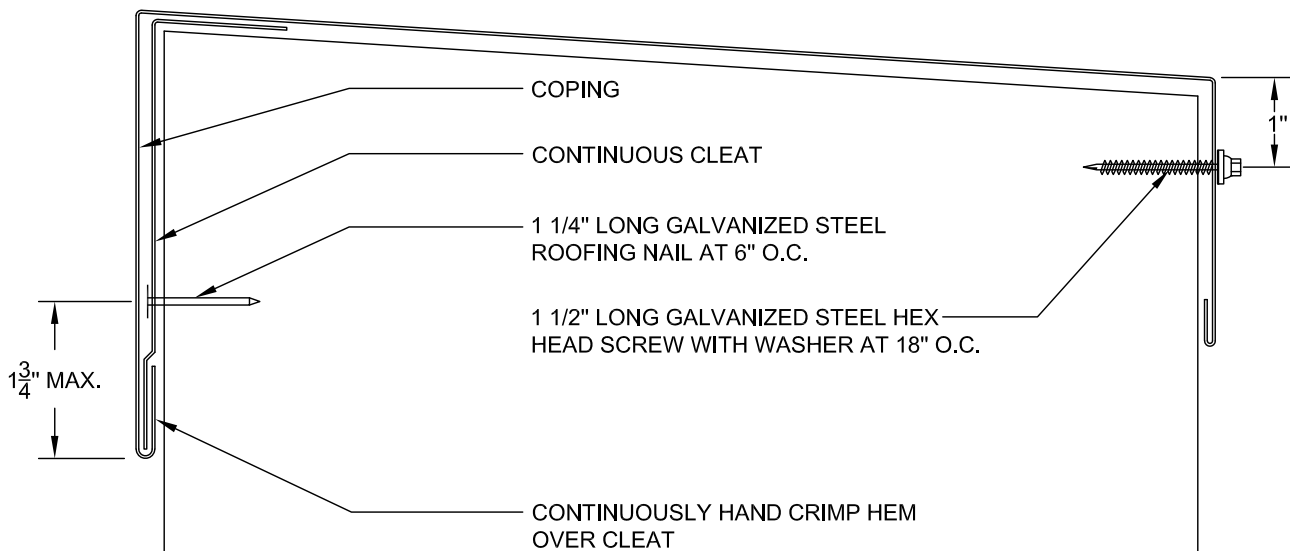
OUTWARD **UPWARD**
235 LBS./SQ. FT. 390 LBS./SQ. FT.

UL-14A

2/15/21 REV.
10/30/15



FABRICATION



INSTALLATION

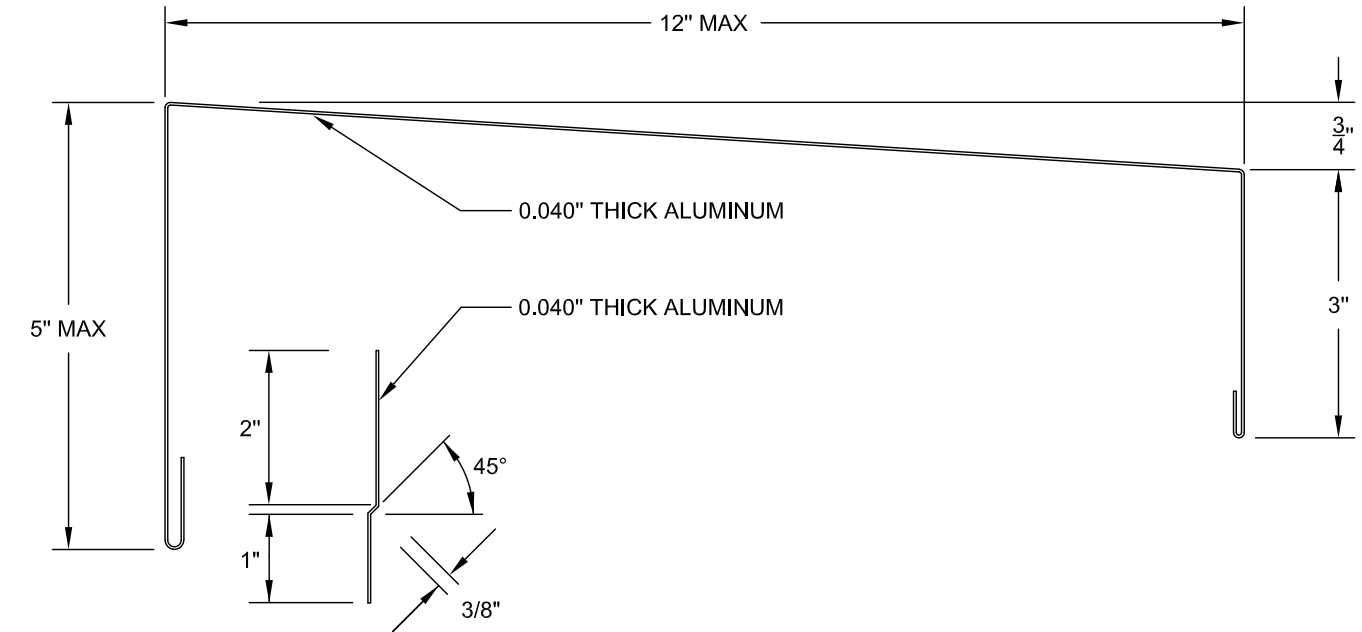
THE NRCA ROOFING MANUAL
CONSTRUCTION DETAIL C-6

COPING WITH FLAT DRIP
• 0.040" ALUMINUM

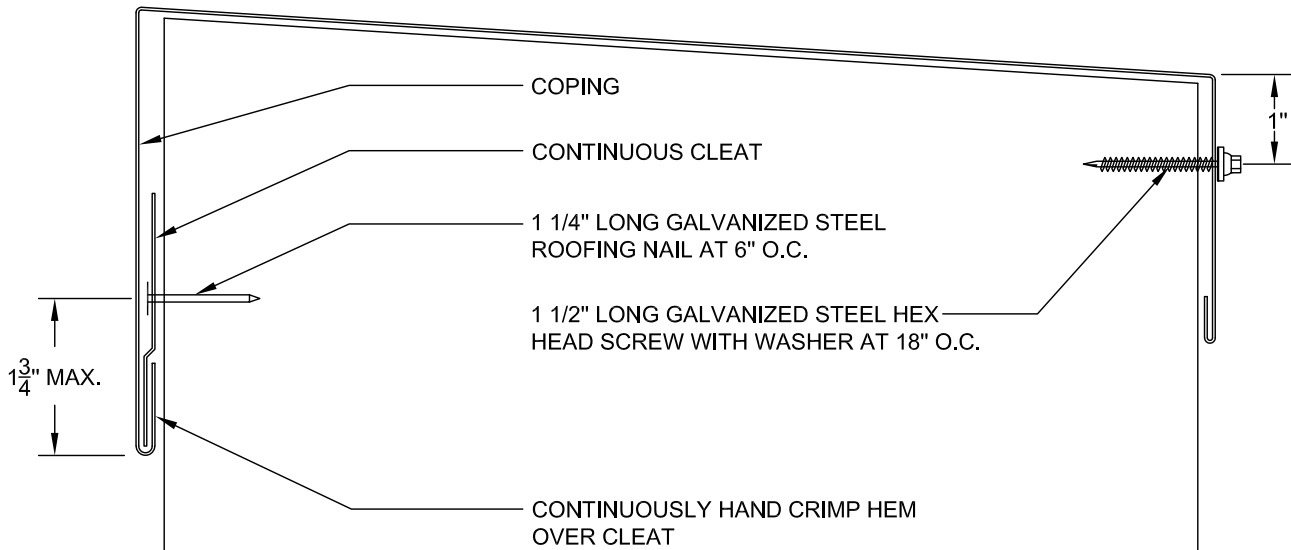
**ANSI/SPRI ES-1
TESTED RESISTANCE**

OUTWARD **UPWARD**
225 LBS./SQ. FT. 400 LBS./SQ. FT.

UL-15
2/15/21 REV.
2/6/17



FABRICATION



INSTALLATION

THE NRCA ROOFING MANUAL
CONSTRUCTION DETAIL C-7

COPING WITH FLAT DRIP
• 0.040" ALUMINUM

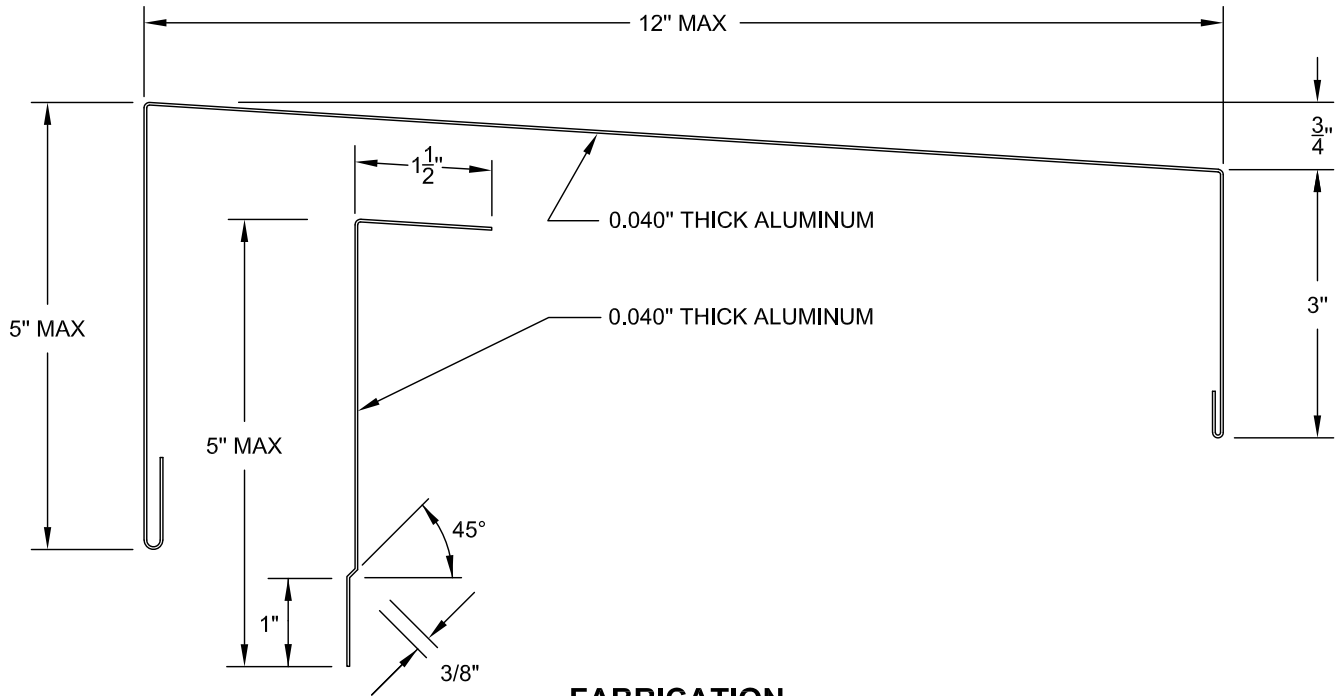
**ANSI/SPRI ES-1
TESTED RESISTANCE**

UL-15A

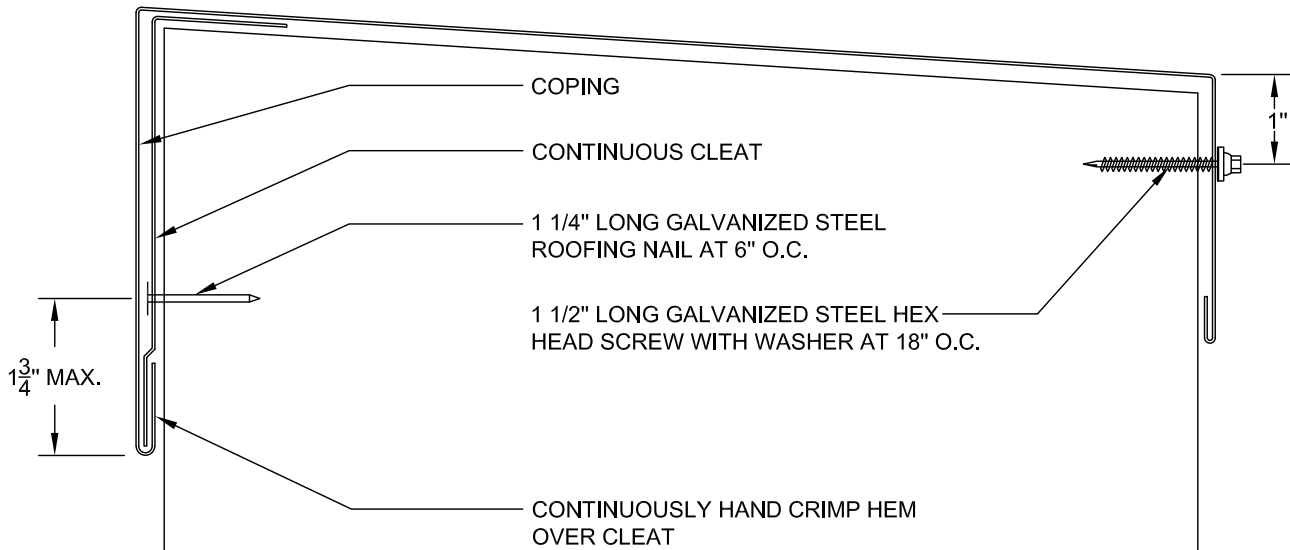
NRCA UL ES-1 CERTIFICATION

OUTWARD **UPWARD**
225 LBS./SQ. FT. 400 LBS./SQ. FT.

2/15/21 REV.
2/6/17



FABRICATION



INSTALLATION

THE NRCA ROOFING MANUAL
CONSTRUCTION DETAIL C-6

COPING WITH FLAT DRIP

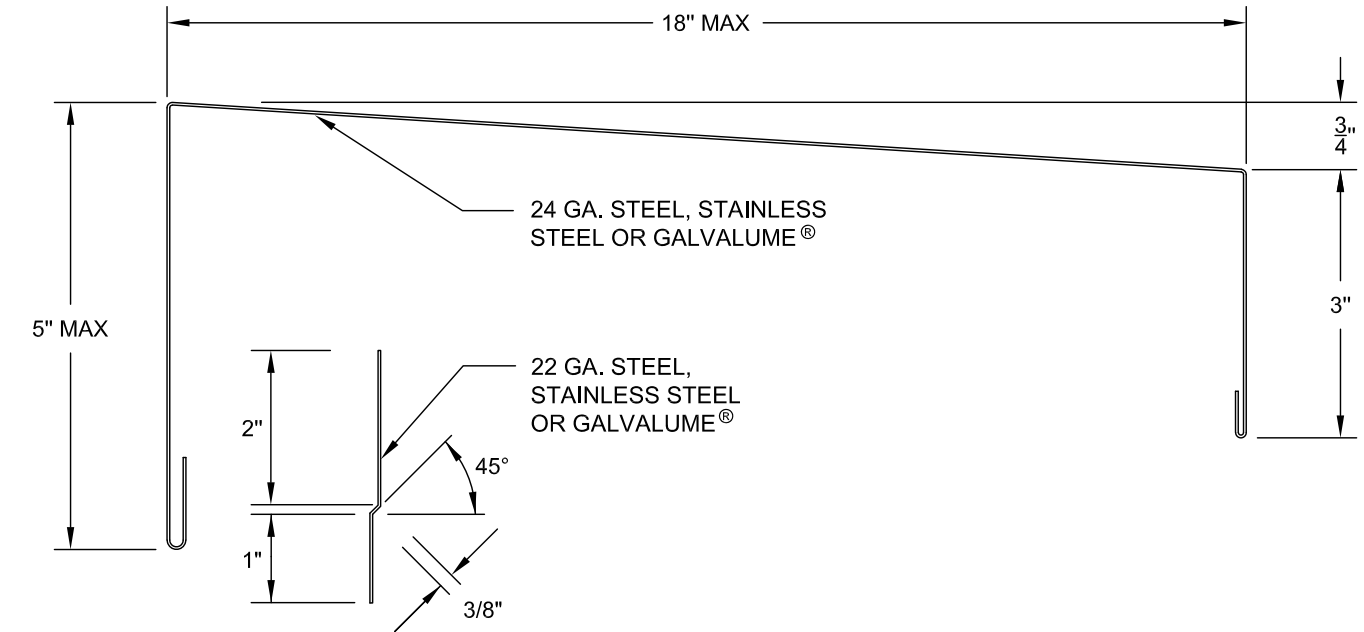
- 24 GA. STEEL
- 24 GA. STAINLESS STEEL
- 24 GA. GALVALUME®

**ANSI/SPRI ES-1
TESTED RESISTANCE**

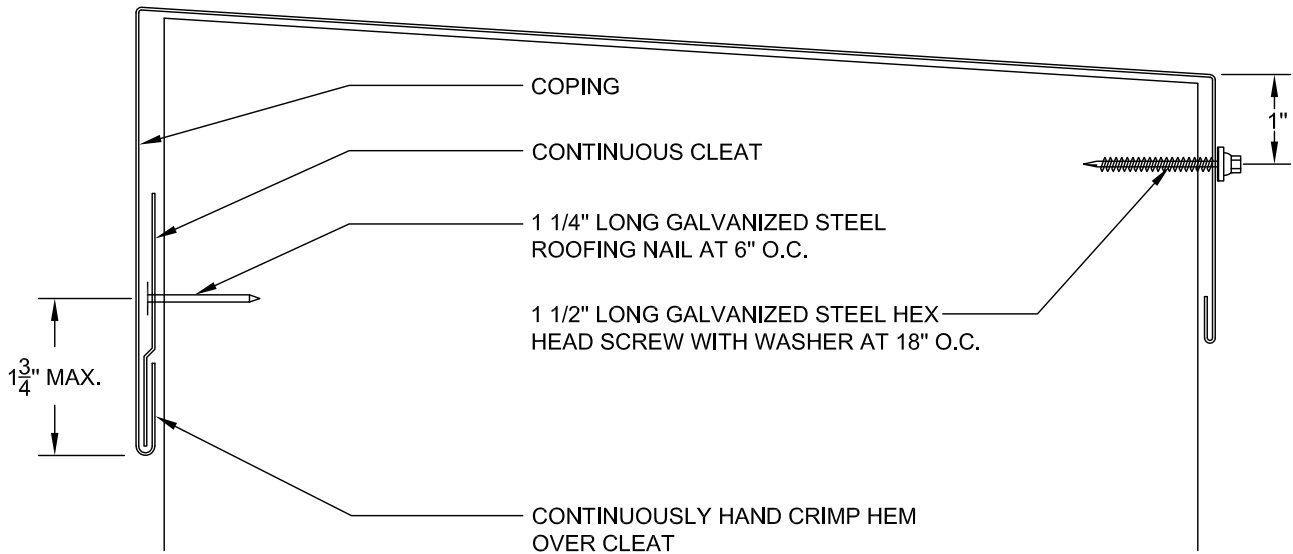
OUTWARD **UPWARD**
150 LBS./SQ. FT. 250 LBS./SQ. FT.

UL-16

2/15/21 REV.
10/30/15



FABRICATION



INSTALLATION

THE NRCA ROOFING MANUAL

CONSTRUCTION DETAIL C-7

NRCA UL ES-1 CERTIFICATION

COPING WITH FLAT DRIP

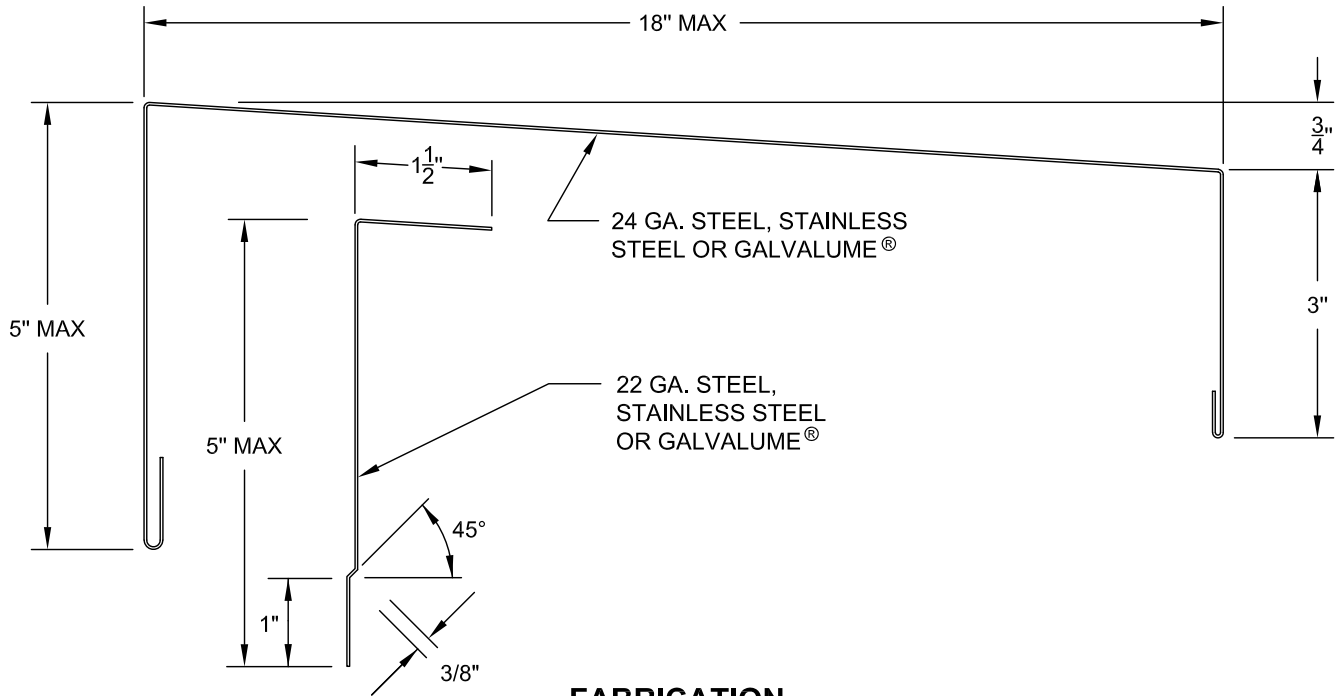
- 24 GA. STEEL
- 24 GA. STAINLESS STEEL
- 24 GA. GALVALUME®

**ANSI/SPRI ES-1
TESTED RESISTANCE**

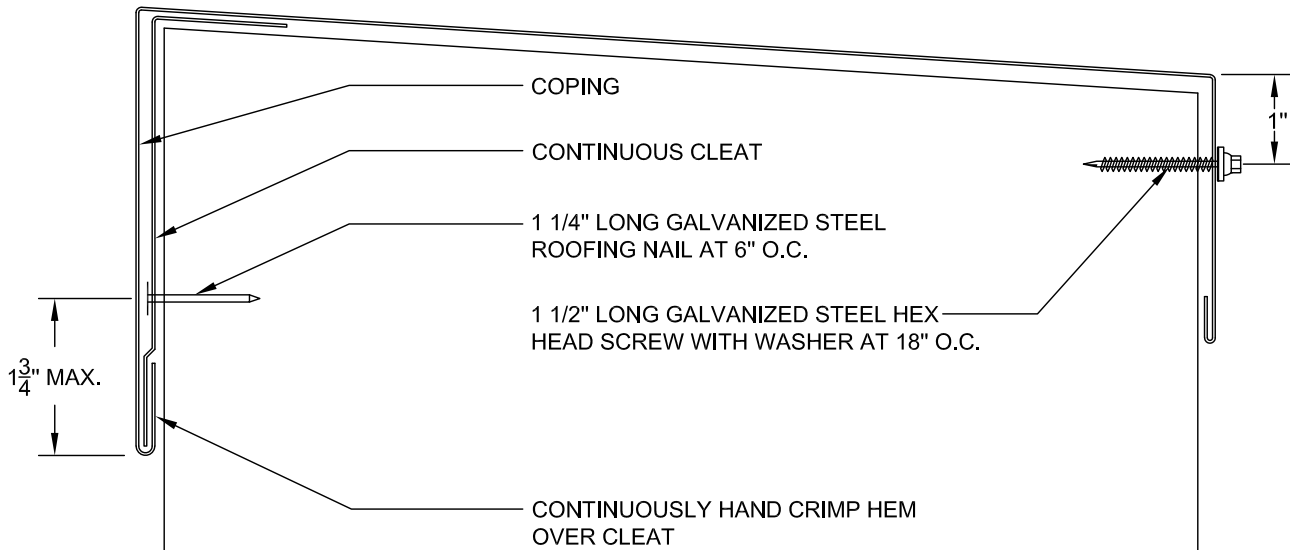
OUTWARD 150 LBS./SQ. FT. **UPWARD** 250 LBS./SQ. FT.

UL-16A

2/15/21 REV.
10/30/15



FABRICATION



INSTALLATION

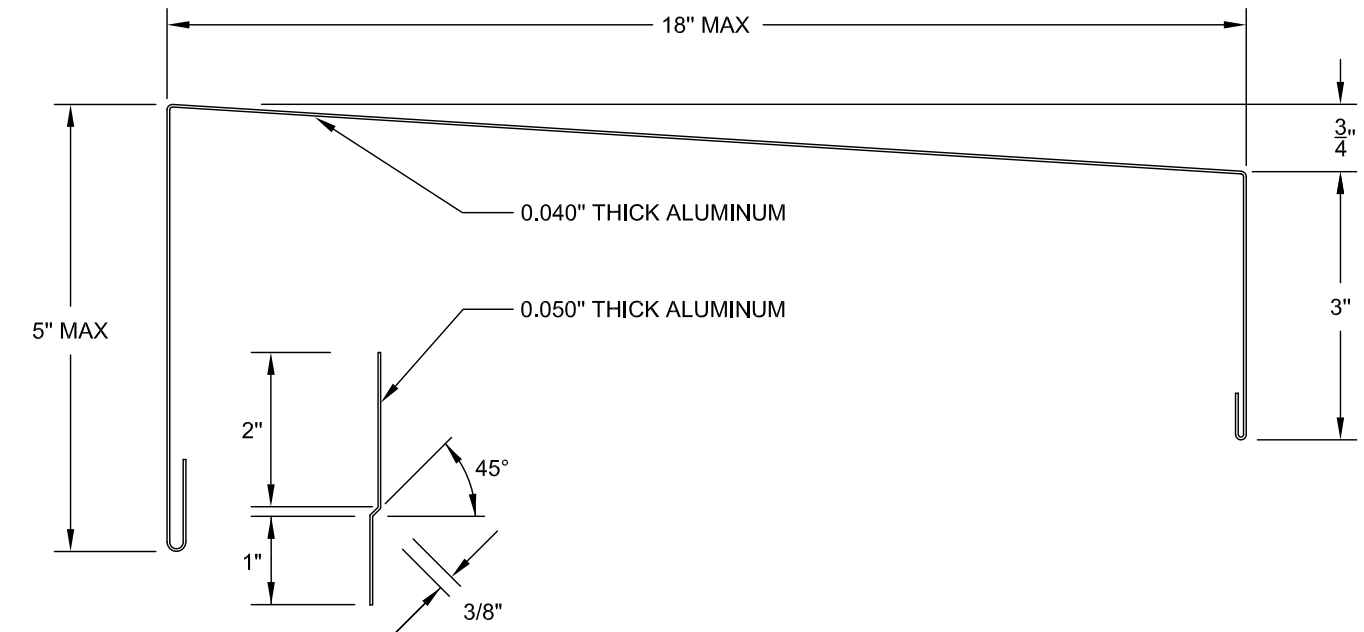
THE NRCA ROOFING MANUAL
CONSTRUCTION DETAIL C-6

COPING WITH FLAT DRIP
• 0.040" ALUMINUM

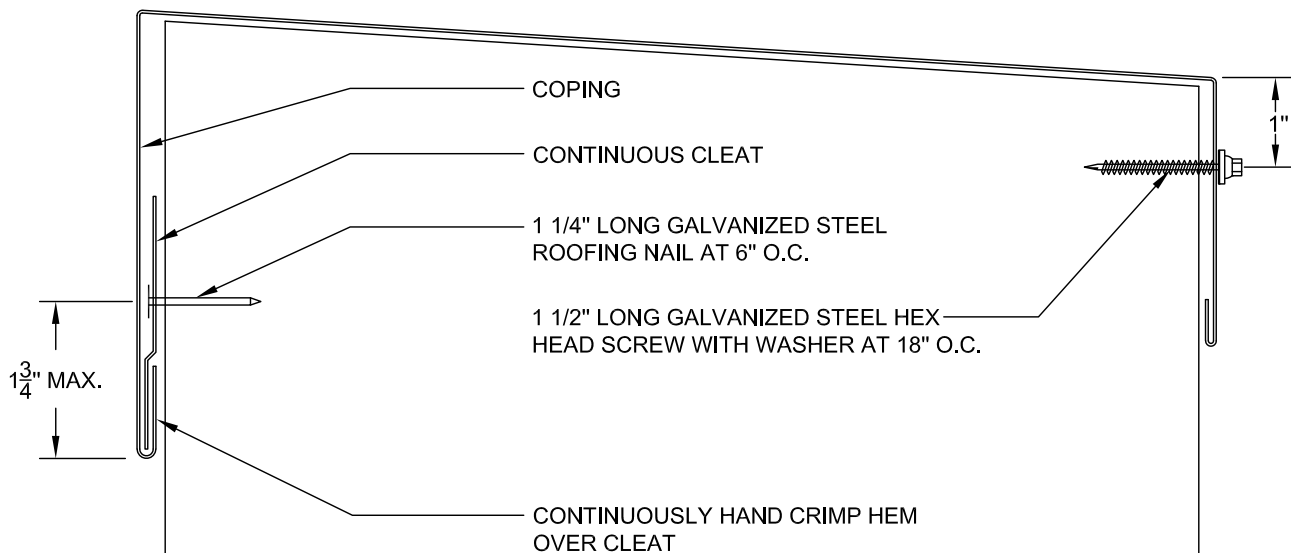
**ANSI/SPRI ES-1
TESTED RESISTANCE**

OUTWARD **UPWARD**
170 LBS./SQ. FT. 280 LBS./SQ. FT.

UL-17
2/15/21 REV.
2/6/17



FABRICATION



INSTALLATION

THE NRCA ROOFING MANUAL
CONSTRUCTION DETAIL C-7

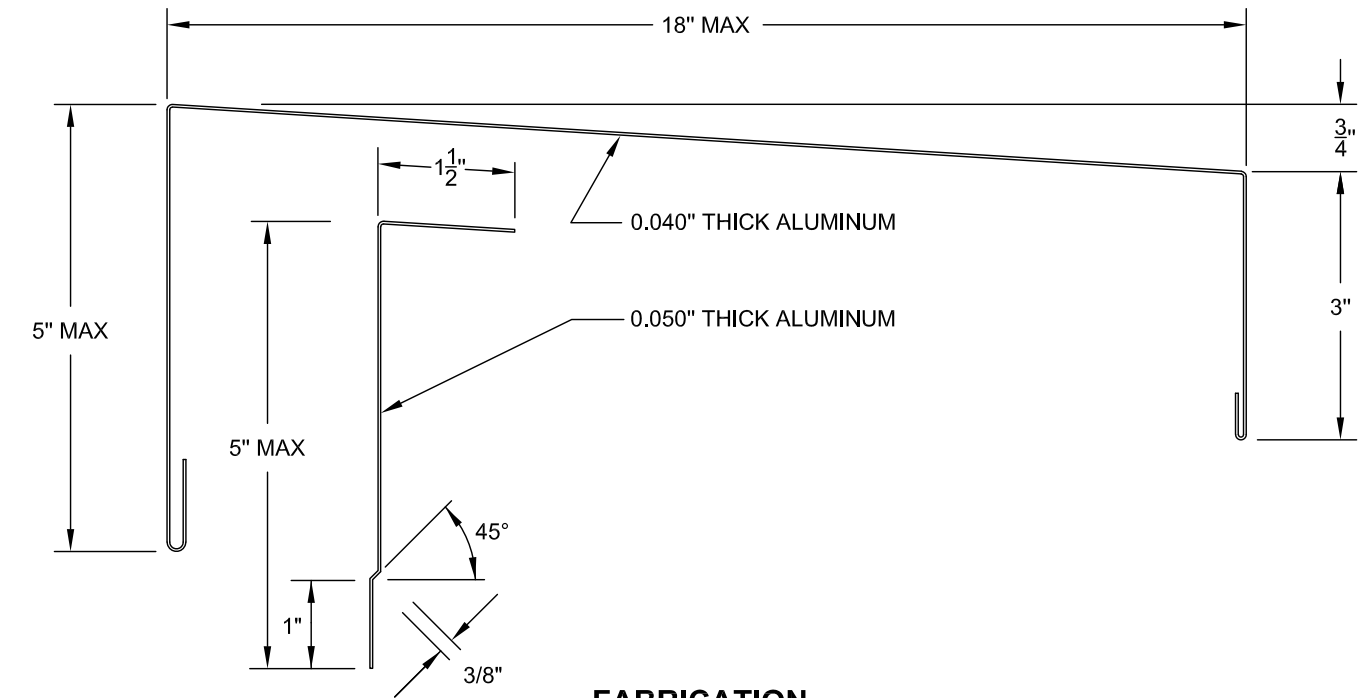
COPING WITH FLAT DRIP
• 0.040" ALUMINUM

**ANSI/SPRI ES-1
TESTED RESISTANCE**

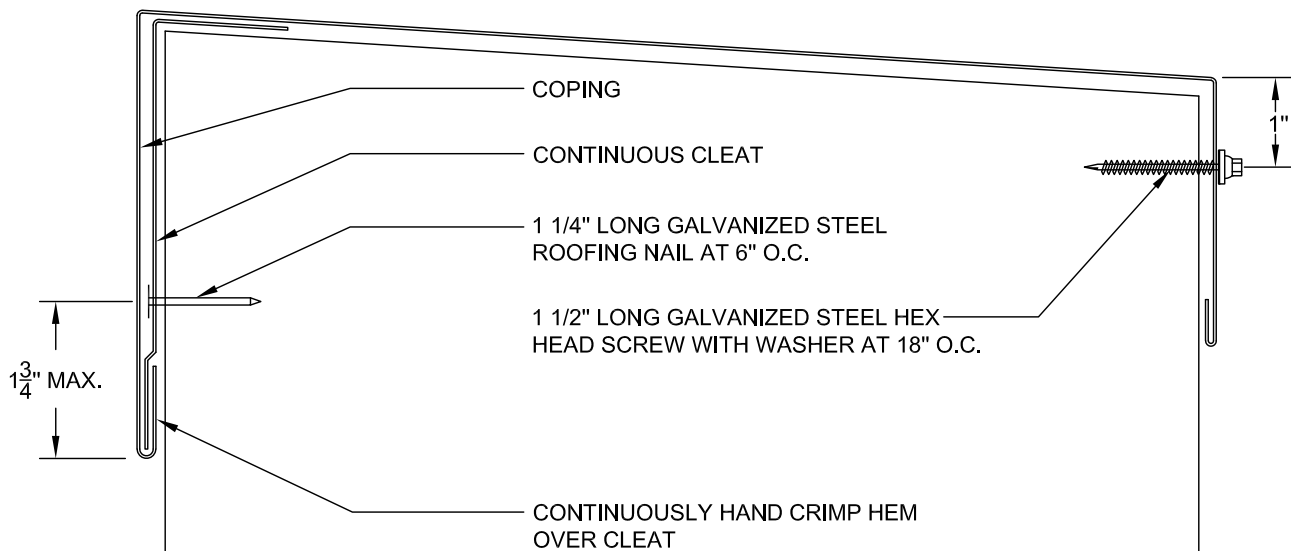
OUTWARD **UPWARD**
170 LBS./SQ. FT. 280 LBS./SQ. FT.

UL-17A

2/15/21 REV.
2/6/17



FABRICATION



INSTALLATION

THE NRCA ROOFING MANUAL

CONSTRUCTION DETAIL C-6

NRCA UL ES-1 CERTIFICATION

COPING WITH FLAT DRIP

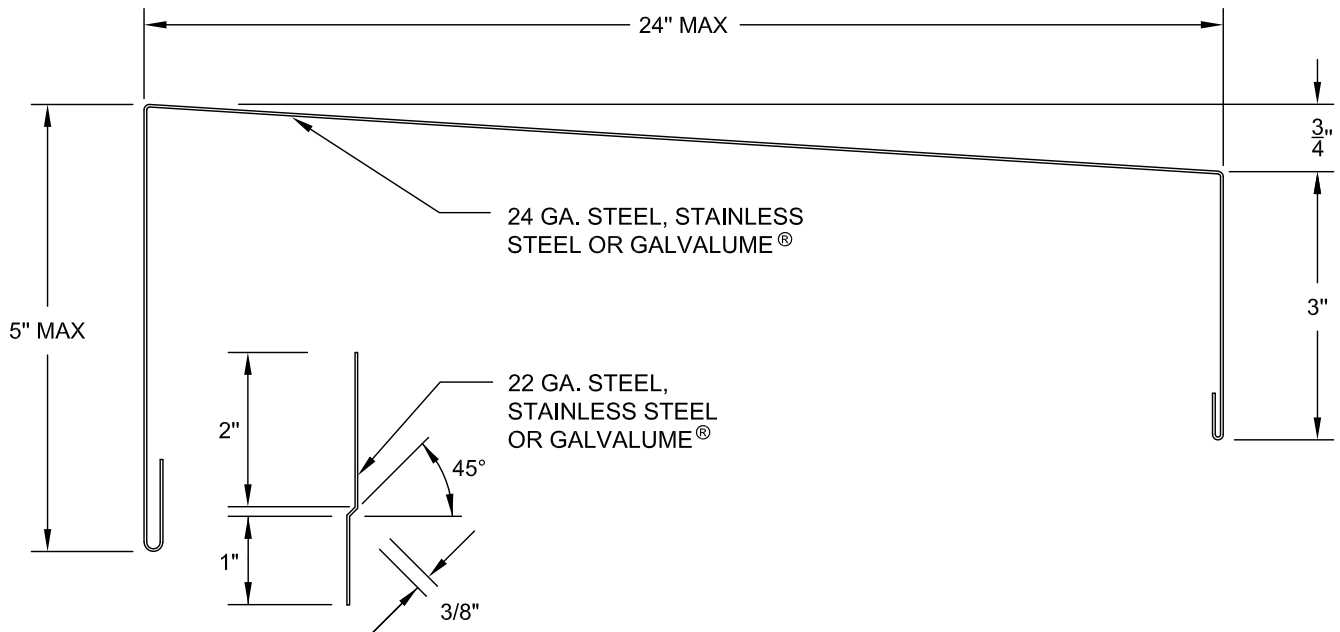
- 24 GA. STEEL
- 24 GA. STAINLESS STEEL
- 24 GA. GALVALUME®

**ANSI/SPRI ES-1
TESTED RESISTANCE**

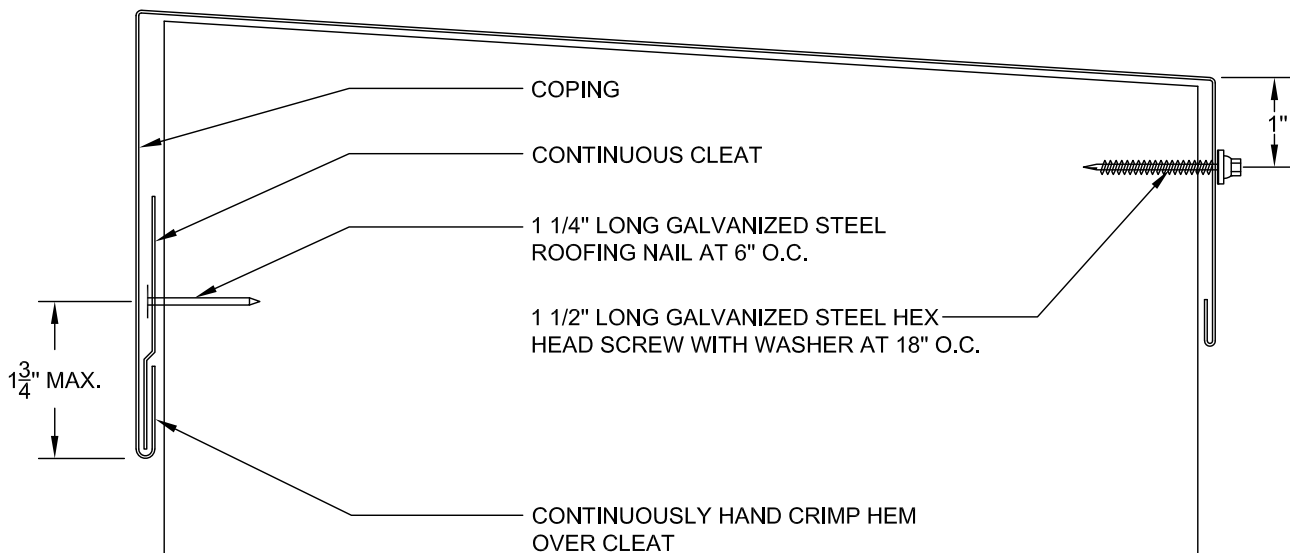
OUTWARD 95 LBS./SQ. FT. **UPWARD** 160 LBS./SQ. FT.

UL-18

2/15/21 REV.
10/30/15



FABRICATION



INSTALLATION

THE NRCA ROOFING MANUAL
CONSTRUCTION DETAIL C-7

COPING WITH FLAT DRIP

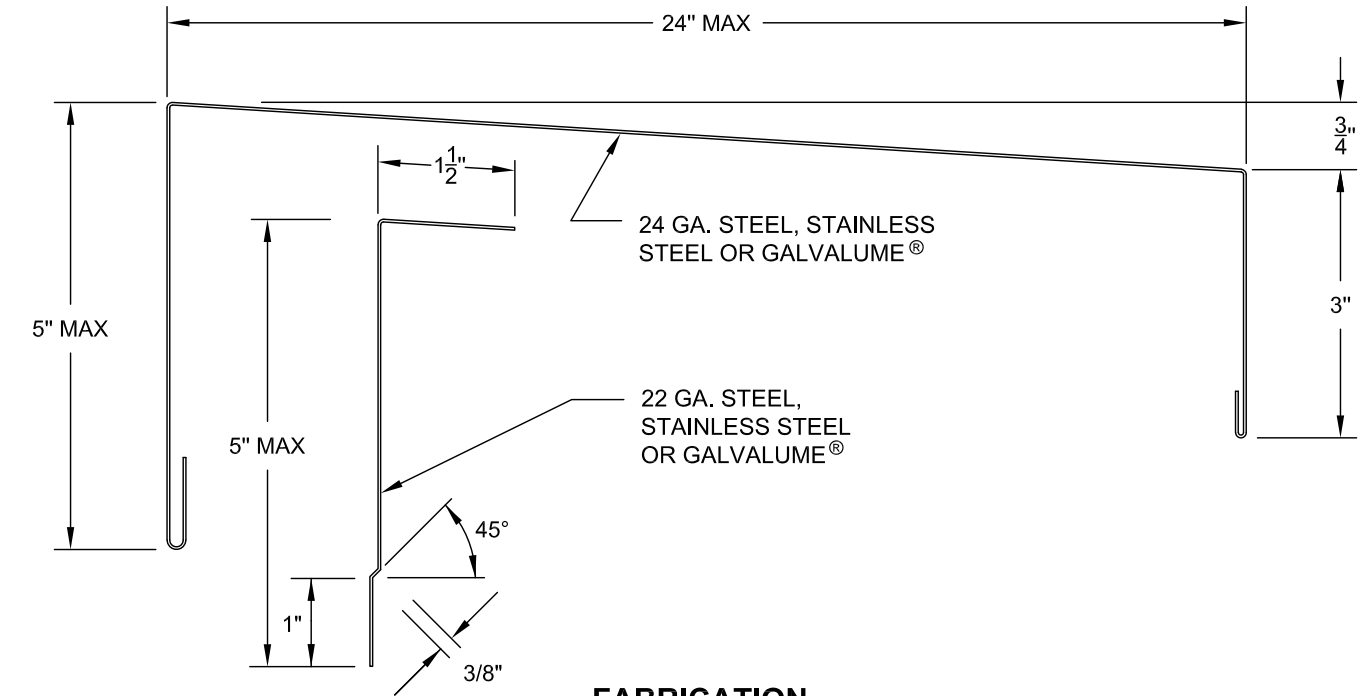
- 24 GA. STEEL
- 24 GA. STAINLESS STEEL
- 24 GA. GALVALUME®

**ANSI/SPRI ES-1
TESTED RESISTANCE**

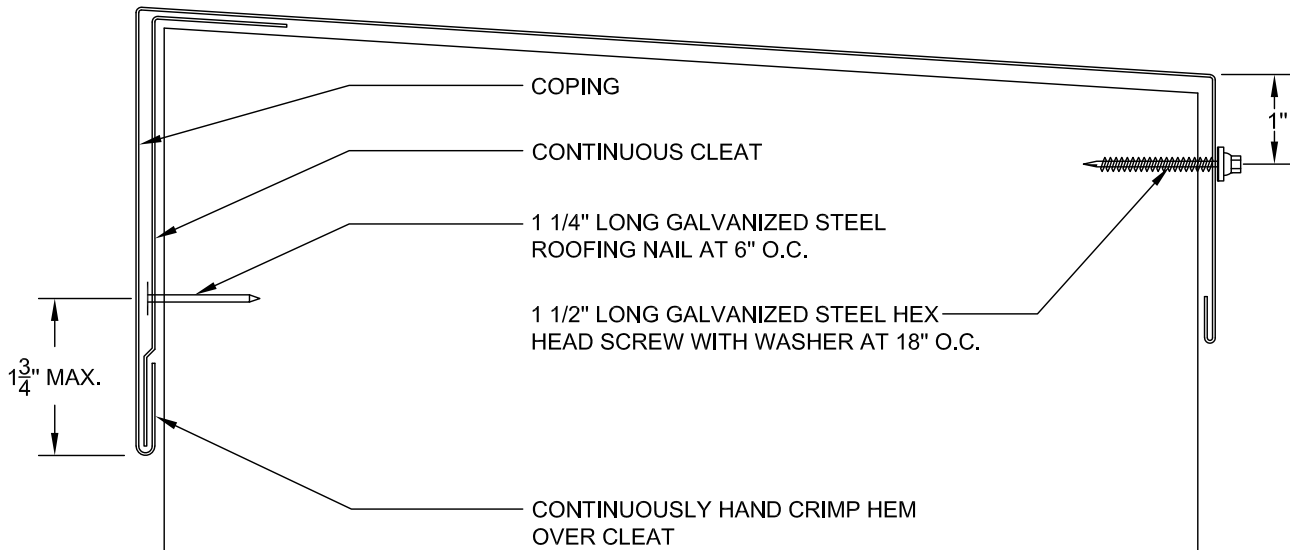
- | | |
|-----------------|------------------|
| OUTWARD | UPWARD |
| 95 LBS./SQ. FT. | 160 LBS./SQ. FT. |

UL-18A

2/15/21 REV.
10/30/15



FABRICATION



INSTALLATION

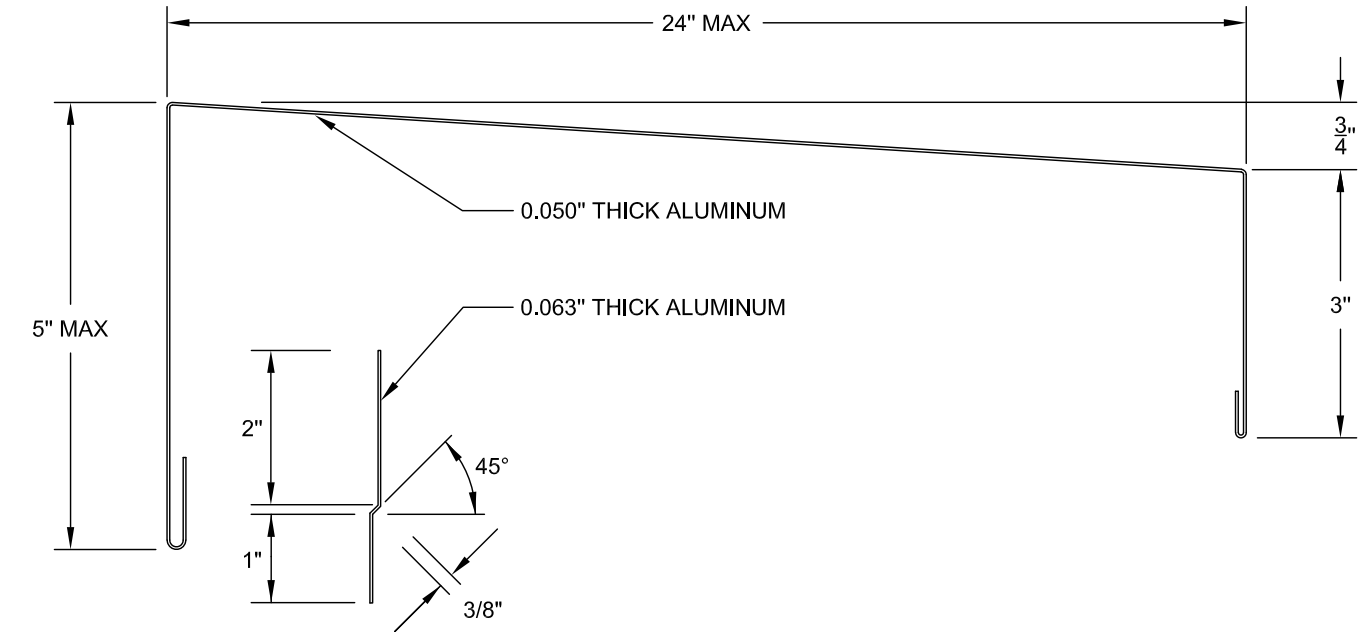
THE NRCA ROOFING MANUAL
CONSTRUCTION DETAIL C-6

COPING WITH FLAT DRIP
• 0.050" ALUMINUM

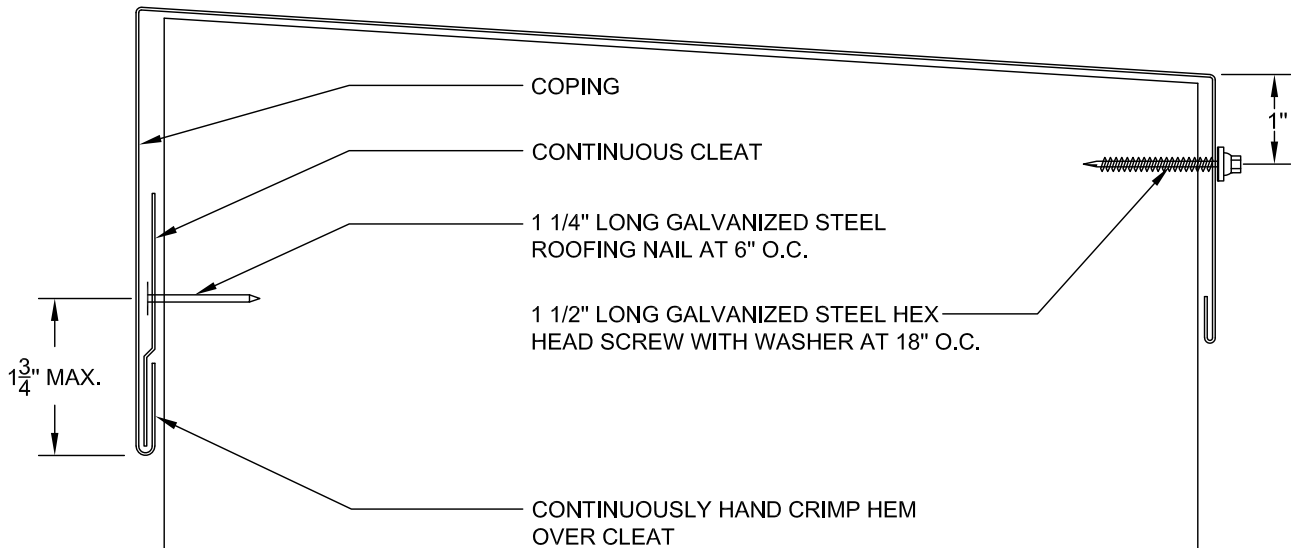
**ANSI/SPRI ES-1
TESTED RESISTANCE**

OUTWARD **UPWARD**
90 LBS./SQ. FT. 150 LBS./SQ. FT.

UL-19
2/15/21 REV.
2/6/17



FABRICATION



INSTALLATION

THE NRCA ROOFING MANUAL
CONSTRUCTION DETAIL C-7

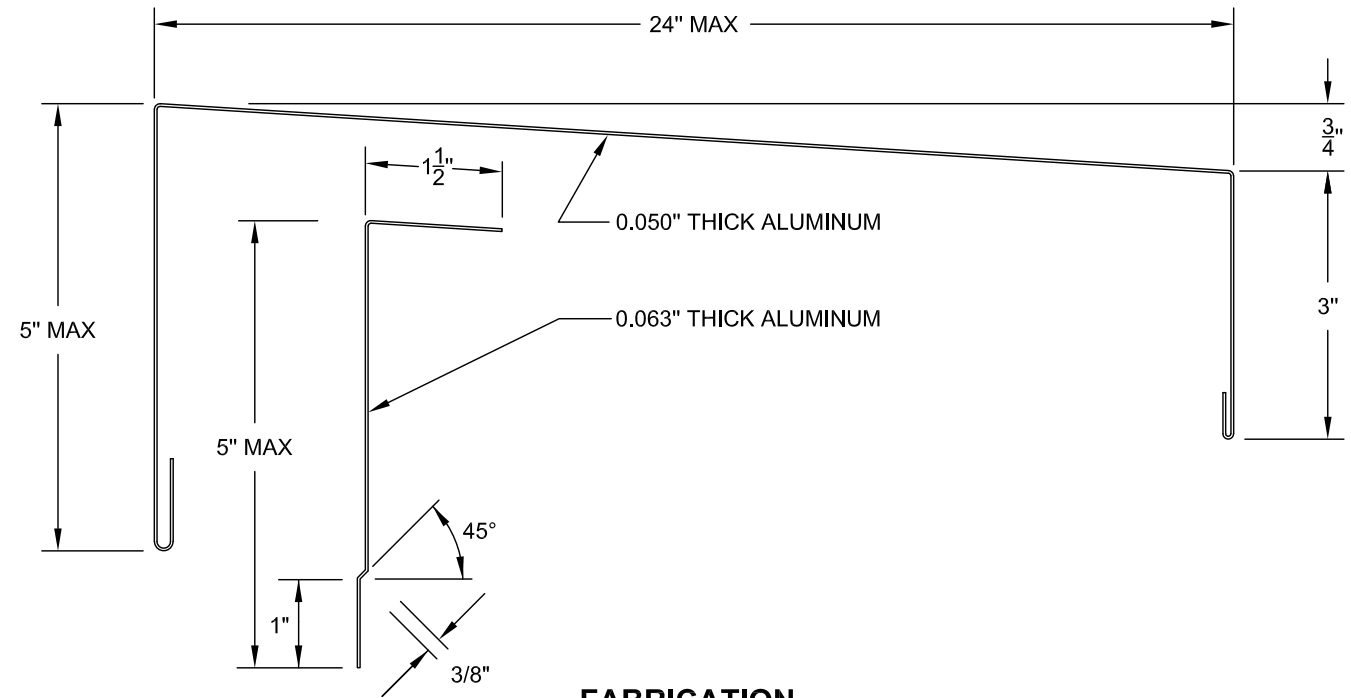
COPING WITH FLAT DRIP
• 0.050" ALUMINUM

**ANSI/SPRI ES-1
TESTED RESISTANCE**

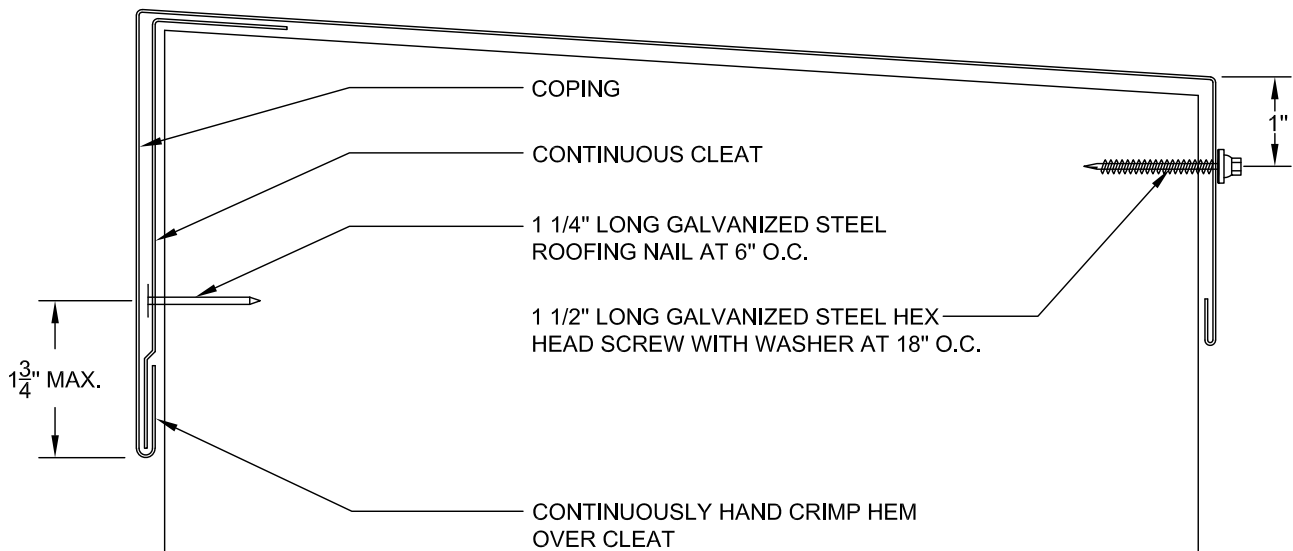
OUTWARD **UPWARD**
90 LBS./SQ. FT. 150 LBS./SQ. FT.

UL-19A

2/15/21 REV.
2/6/17



FABRICATION



INSTALLATION

THE NRCA ROOFING MANUAL

CONSTRUCTION DETAIL FC-1

NRCA UL ES-1 CERTIFICATION

**RAISED PERIMETER EDGE
(FASCIA CAP)**

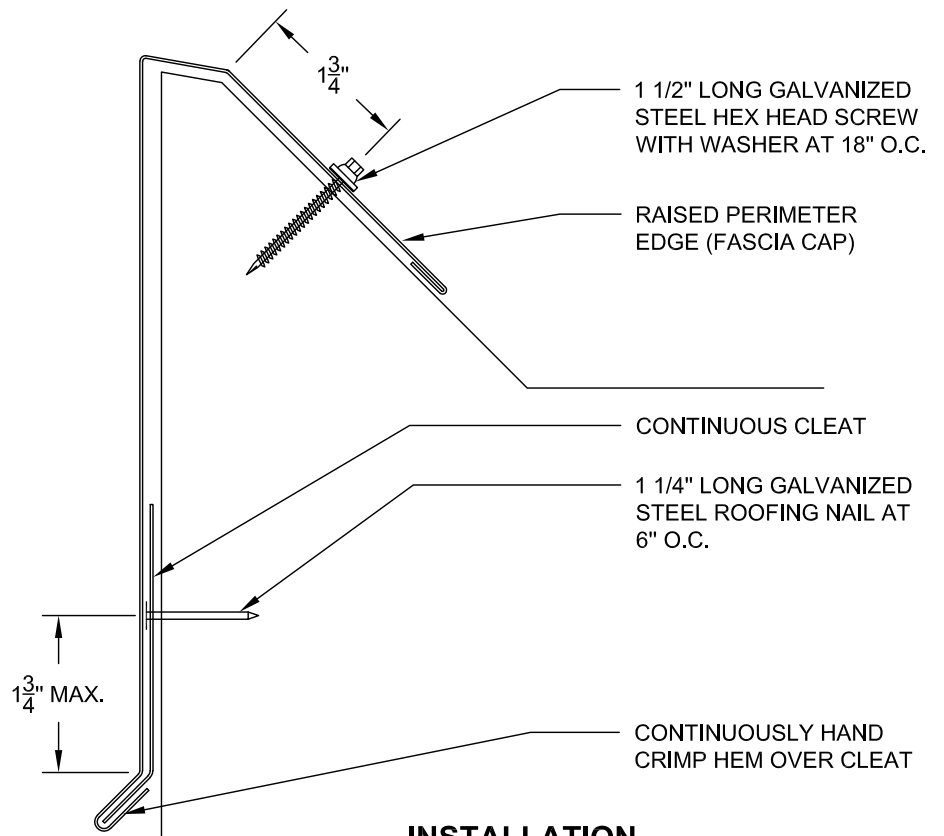
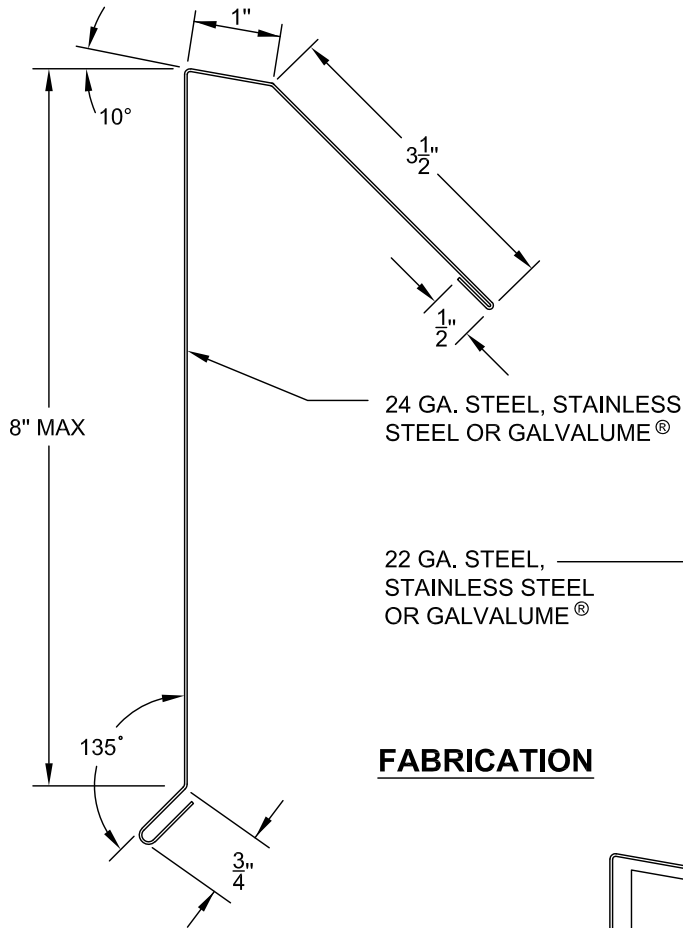
- 24 GA. STEEL
- 24 GA. STAINLESS STEEL
- 24 GA. GALVALUME®

**ANSI/SPRI ES-1
TESTED RESISTANCE**

170 LBS./SQ. FT.

UL-20

2/15/21 REV.
10/30/15



THE NRCA ROOFING MANUAL

CONSTRUCTION DETAIL FC-2

NRCA UL ES-1 CERTIFICATION

**RAISED PERIMETER EDGE
(FASCIA CAP)**

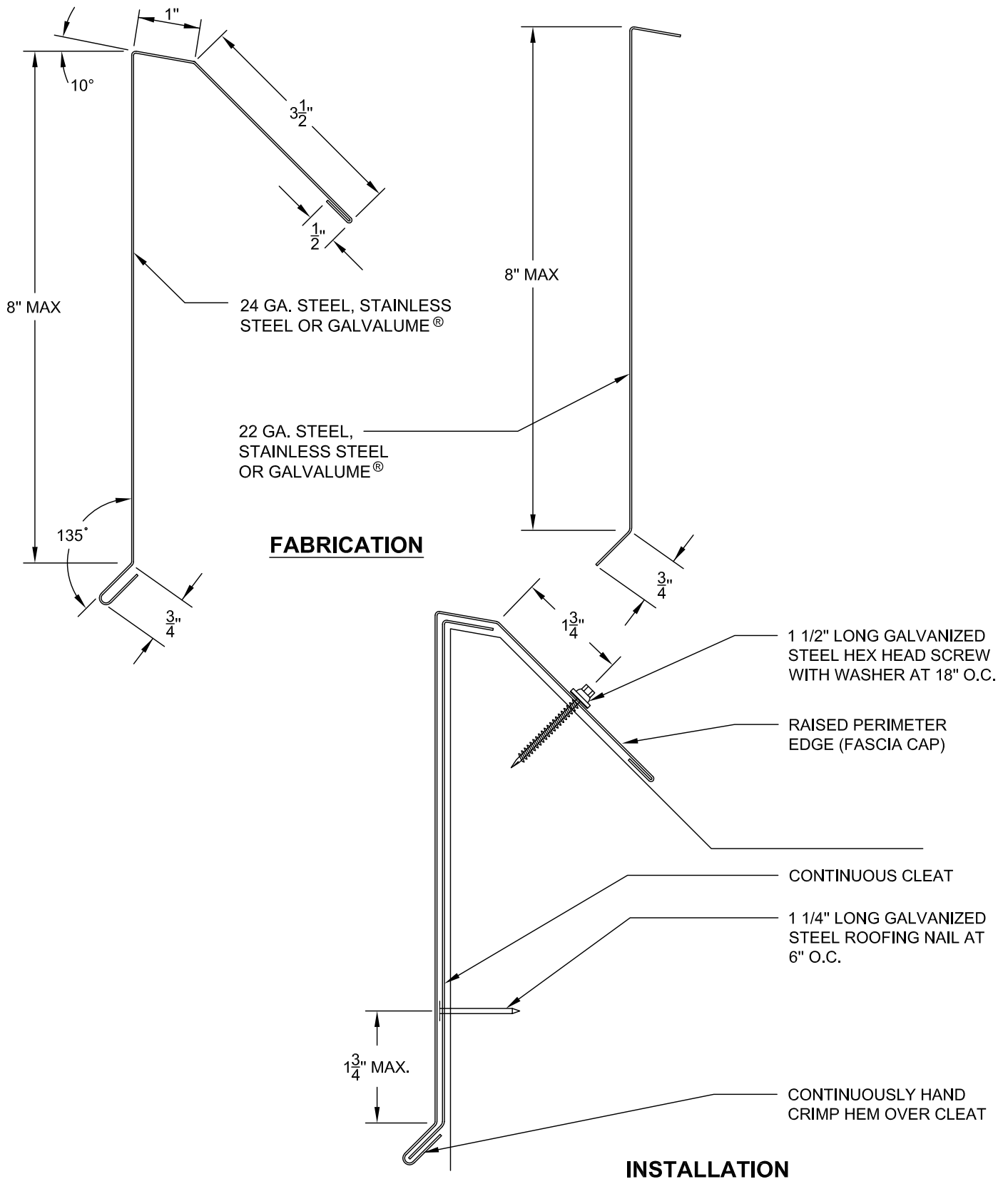
- 24 GA. STEEL
- 24 GA. STAINLESS STEEL
- 24 GA. GALVALUME®

**ANSI/SPRI ES-1
TESTED RESISTANCE**

170 LBS./SQ. FT.

UL-20A

2/15/21 REV.
10/30/15



THE NRCA ROOFING MANUAL

CONSTRUCTION DETAIL FC-1

NRCA UL ES-1 CERTIFICATION

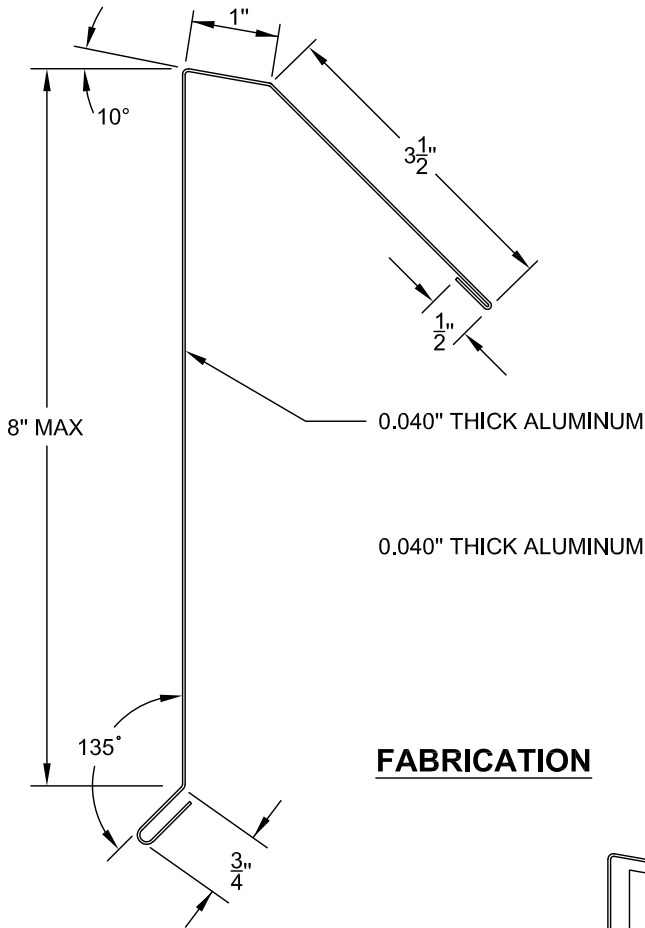
**RAISED PERIMETER EDGE
(FASCIA CAP)**
• 0.040" ALUMINUM

**ANSI/SPRI ES-1
TESTED RESISTANCE**

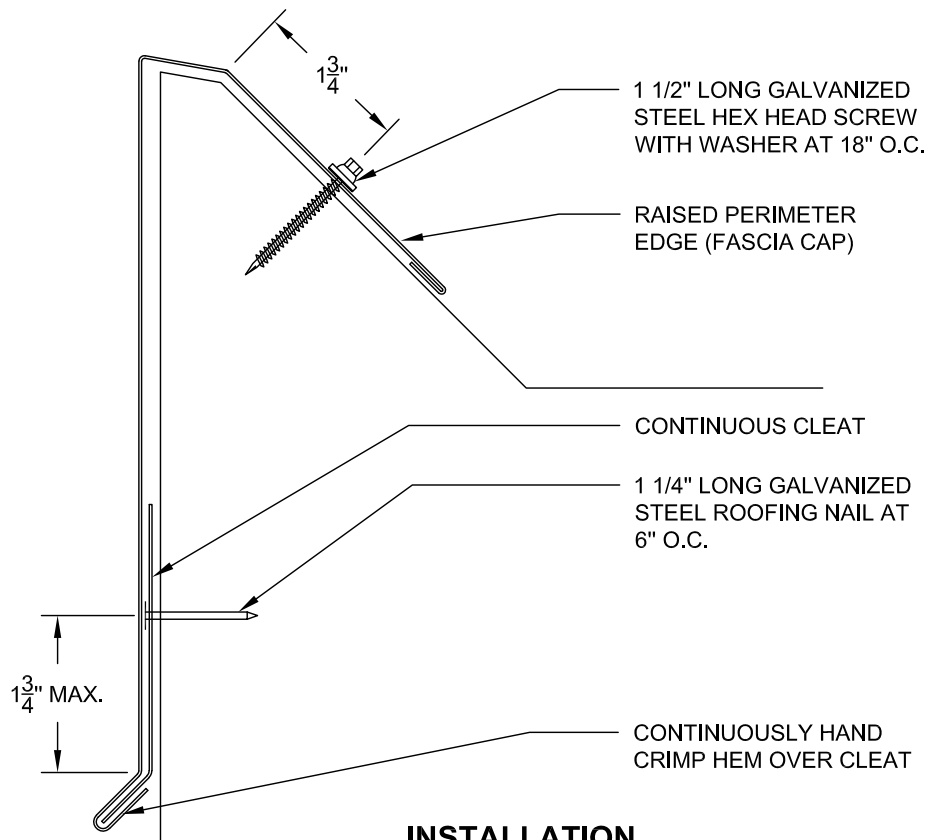
140 LBS./SQ. FT.

UL-21

2/15/21 REV.
2/6/17



FABRICATION



INSTALLATION

THE NRCA ROOFING MANUAL

CONSTRUCTION DETAIL FC-2

NRCA UL ES-1 CERTIFICATION

**RAISED PERIMETER EDGE
(FASCIA CAP)**

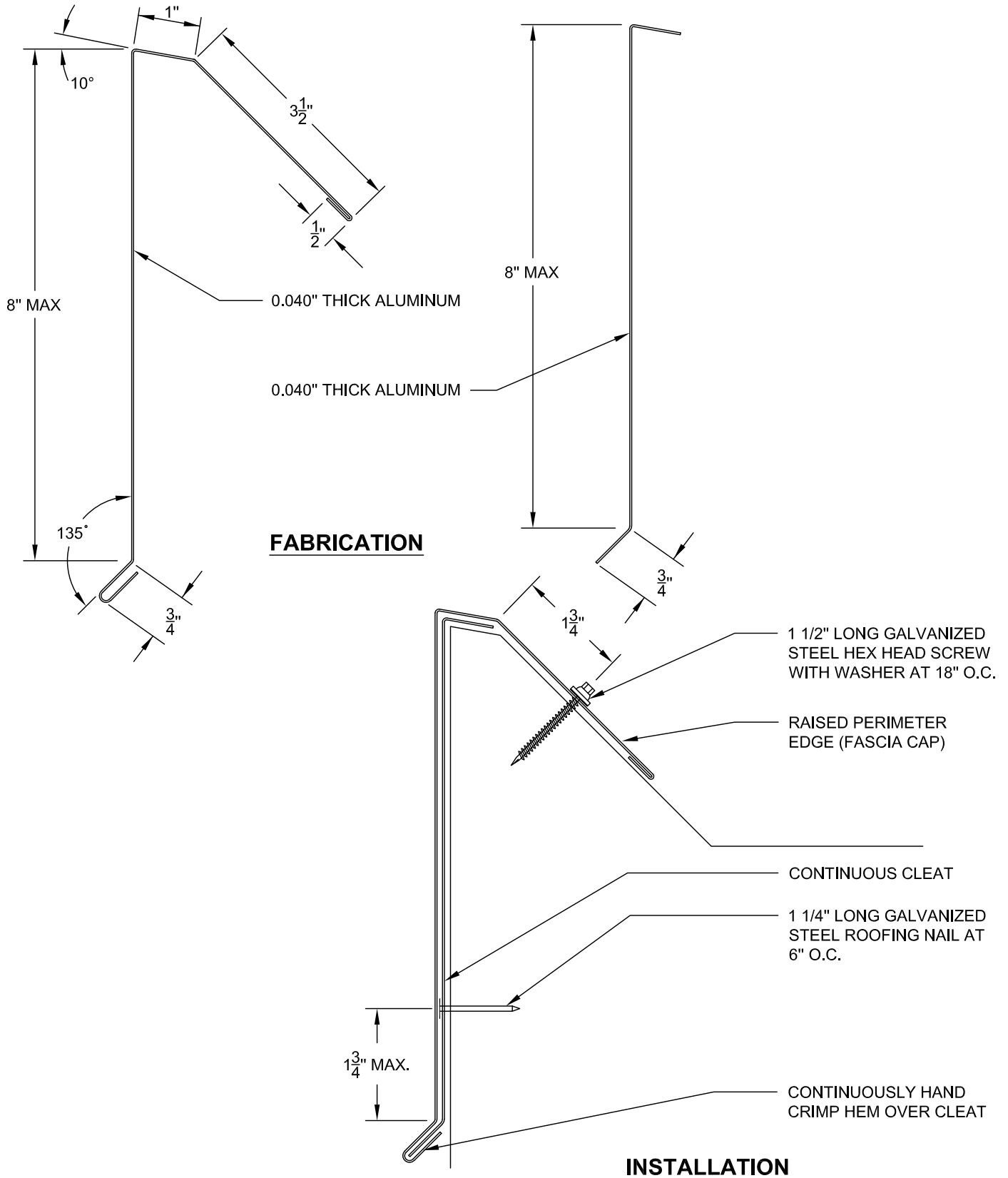
• 0.040" ALUMINUM

**ANSI/SPRI ES-1
TESTED RESISTANCE**

140 LBS./SQ. FT.

UL-21A

2/15/21 REV.
2/6/17



THE NRCA ROOFING MANUAL

CONSTRUCTION DETAIL FC-1

NRCA UL ES-1 CERTIFICATION

**RAISED PERIMETER EDGE
(FASCIA CAP)**

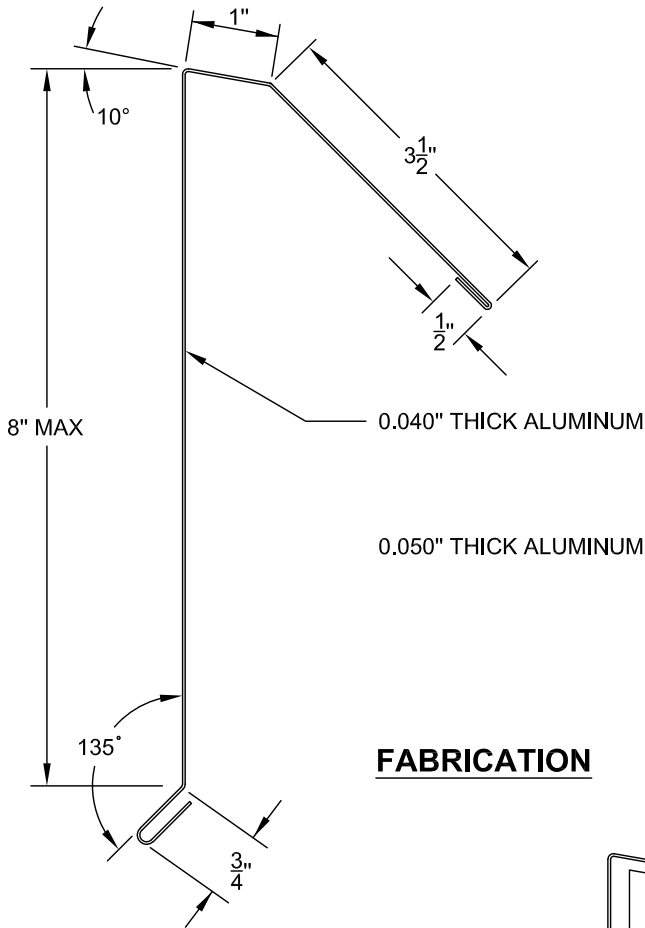
• 0.040" ALUMINUM

**ANSI/SPRI ES-1
TESTED RESISTANCE**

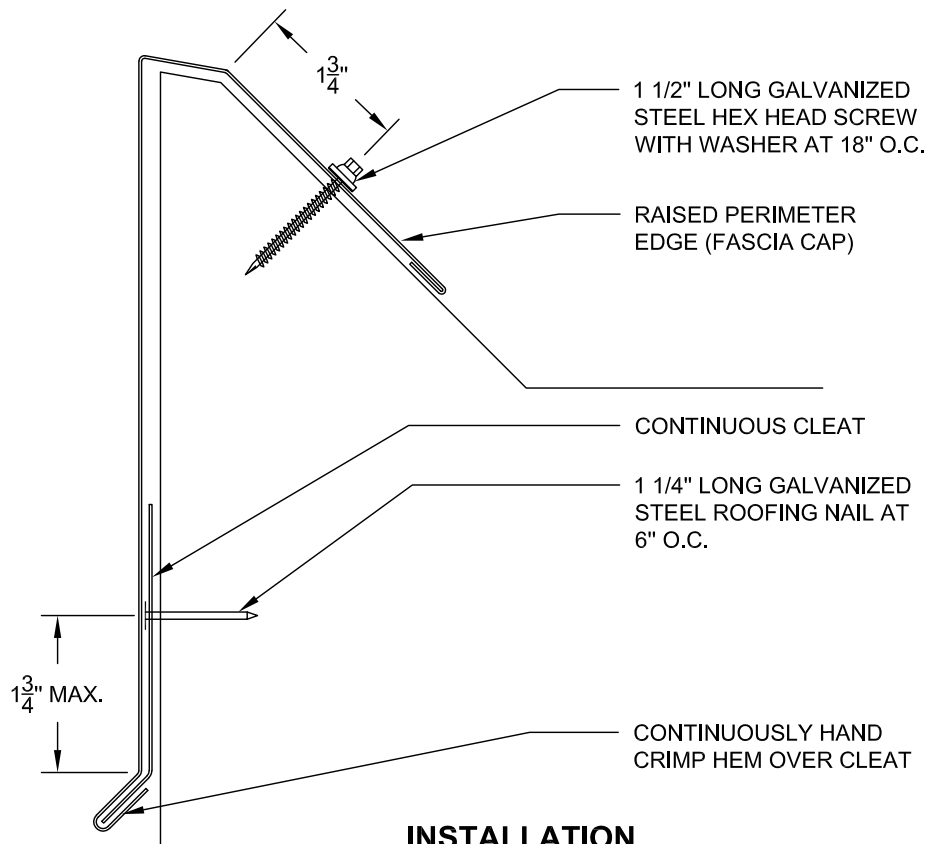
230 LBS./SQ. FT.

UL-22

2/15/21 REV.
2/6/17



FABRICATION



INSTALLATION

THE NRCA ROOFING MANUAL

CONSTRUCTION DETAIL FC-2

NRCA UL ES-1 CERTIFICATION

**RAISED PERIMETER EDGE
(FASCIA CAP)**

• 0.040" ALUMINUM

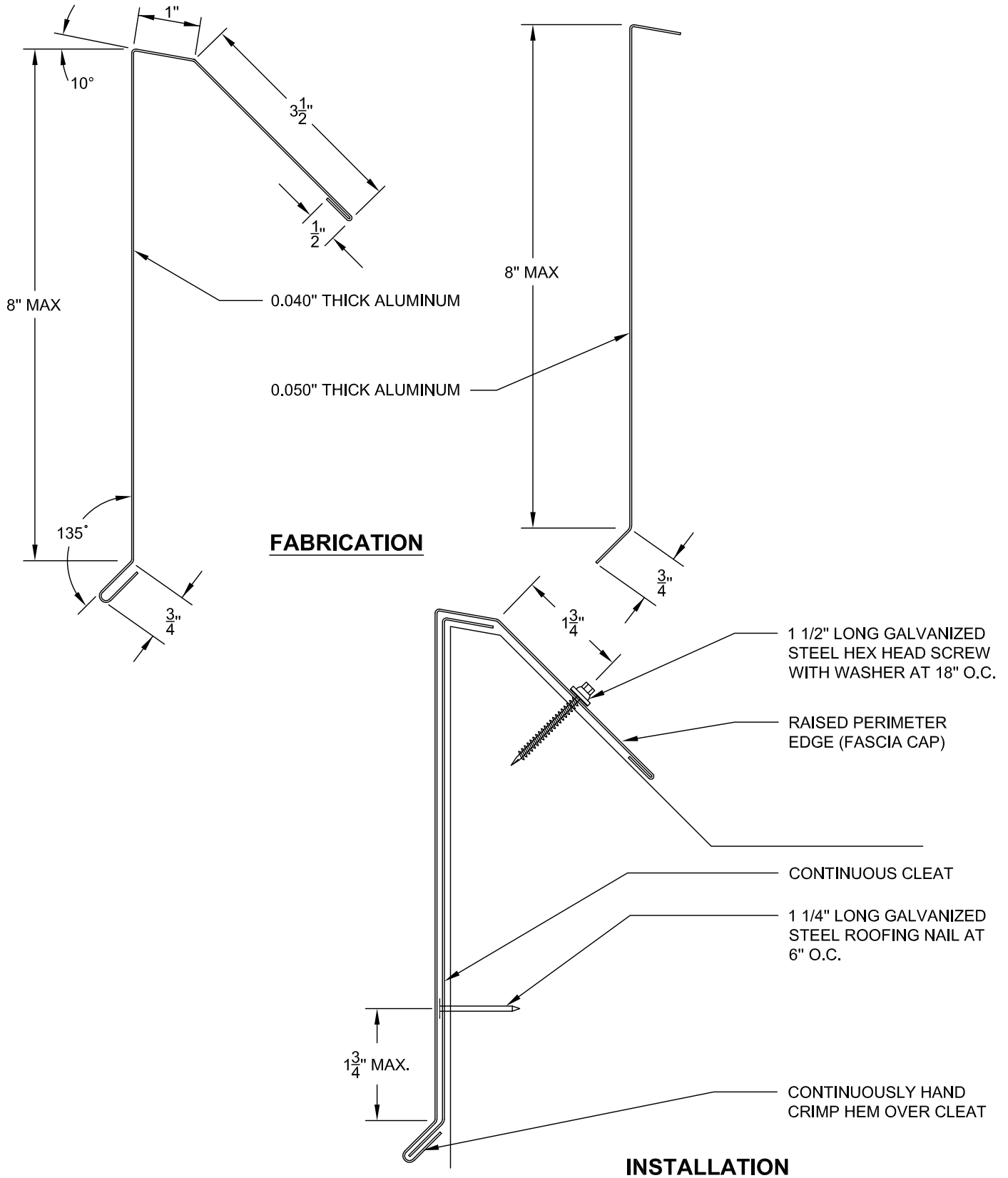
**ANSI/SPRI ES-1
TESTED RESISTANCE**

230 LBS./SQ. FT.

UL-22A

2/15/21 REV.

2/6/17



THE NRCA ROOFING MANUAL
CONSTRUCTION DETAIL FC-3

NRCA UL ES-1 CERTIFICATION

**RAISED PERIMETER EDGE
(FASCIA CAP) WITH FLAT DRIP**

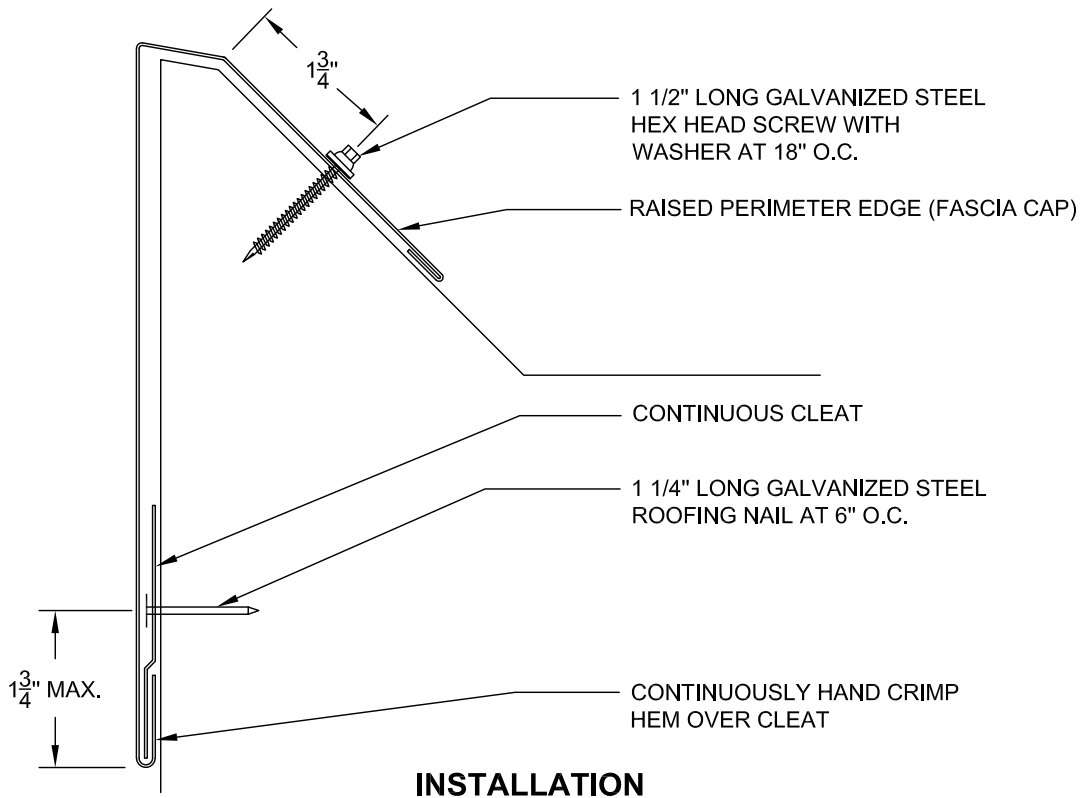
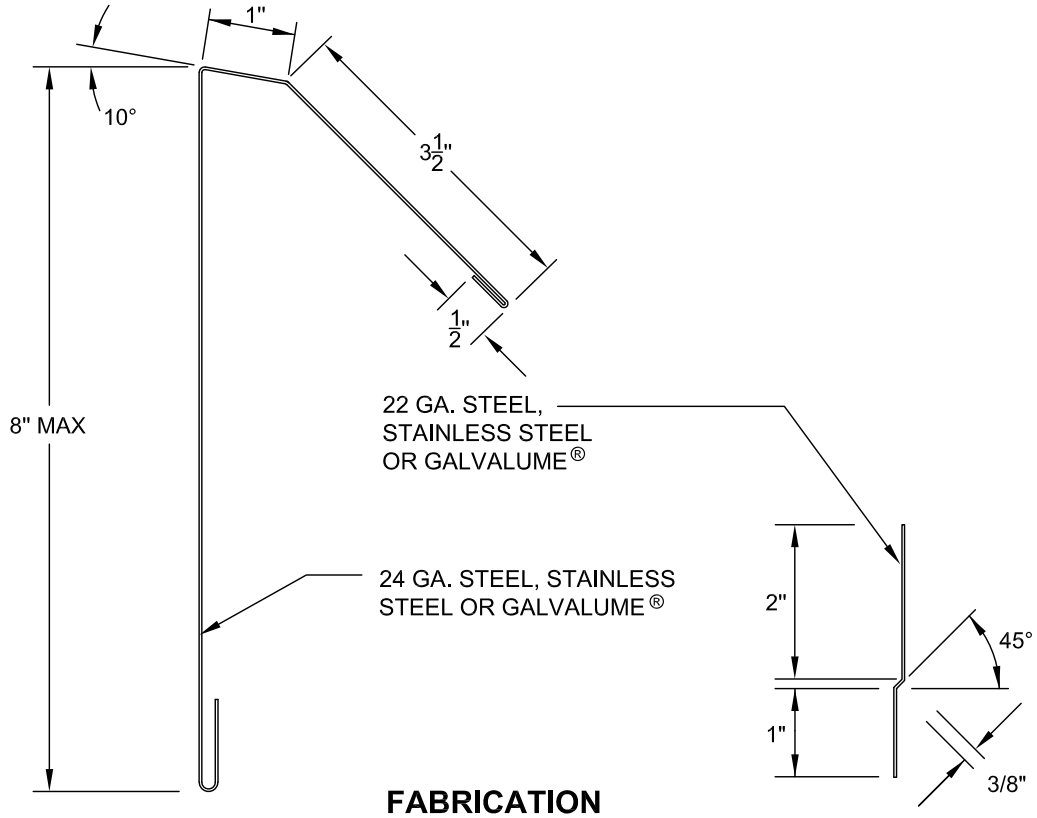
- 24 GA. STEEL
- 24 GA. STAINLESS STEEL
- 24 GA. GALVALUME®

**ANSI/SPRI ES-1
TESTED RESISTANCE**

250 LBS./SQ. FT.

UL-23

2/15/21 REV.
10/30/15



THE NRCA ROOFING MANUAL

CONSTRUCTION DETAIL FC-4

NRCA UL ES-1 CERTIFICATION

RAISED PERIMETER EDGE (FASCIA CAP) WITH FLAT DRIP

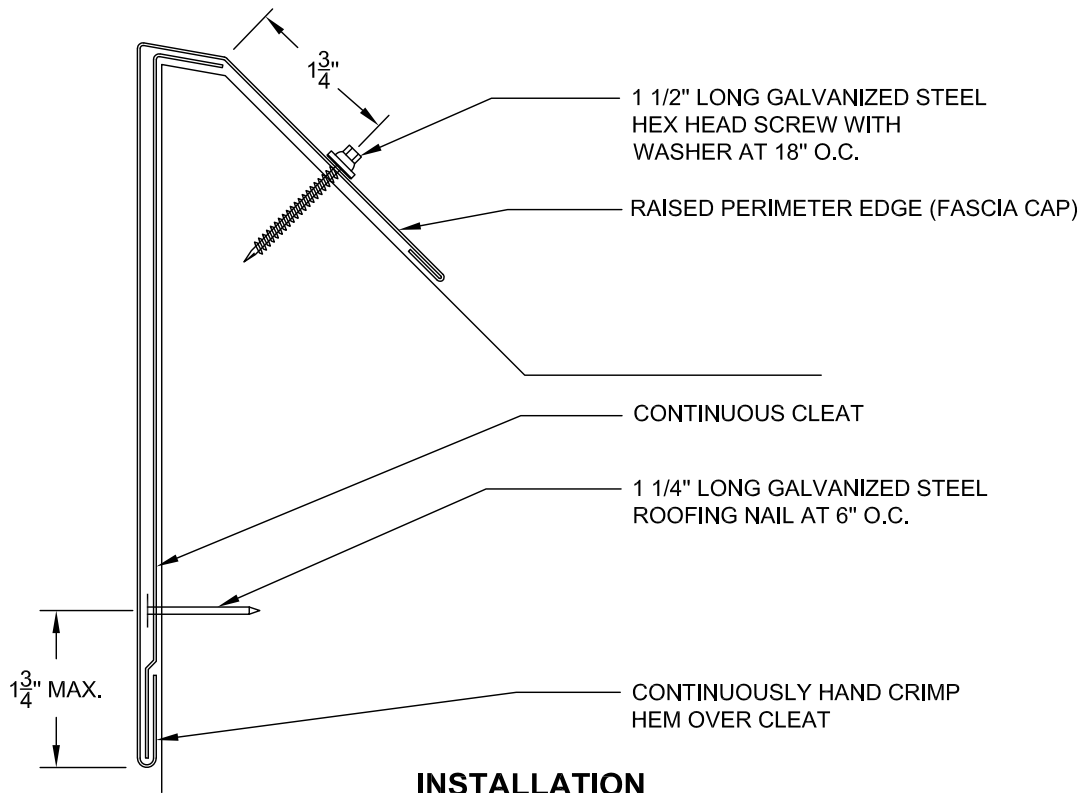
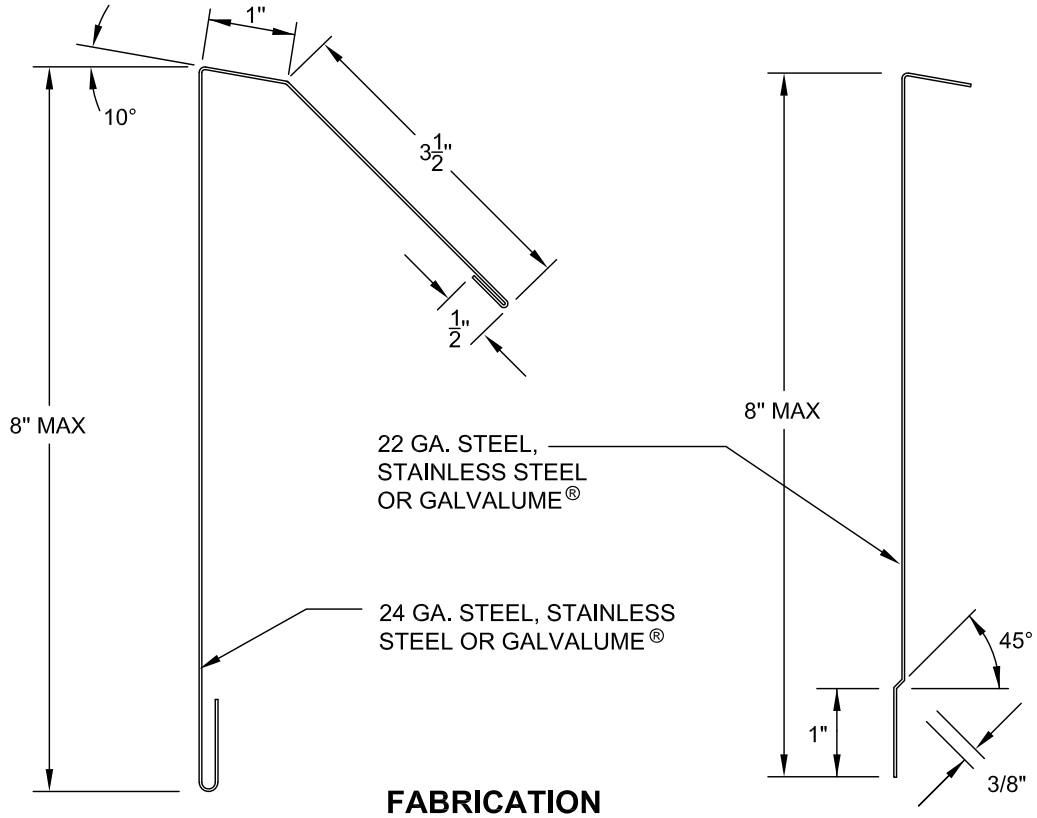
- 24 GA. STEEL
- 24 GA. STAINLESS STEEL
- 24 GA. GALVALUME®

ANSI/SPRI ES-1 TESTED RESISTANCE

250 LBS./SQ. FT.

UL-23A

2/15/21 REV.
10/30/15



THE NRCA ROOFING MANUAL
CONSTRUCTION DETAIL FC-3

NRCA UL ES-1 CERTIFICATION

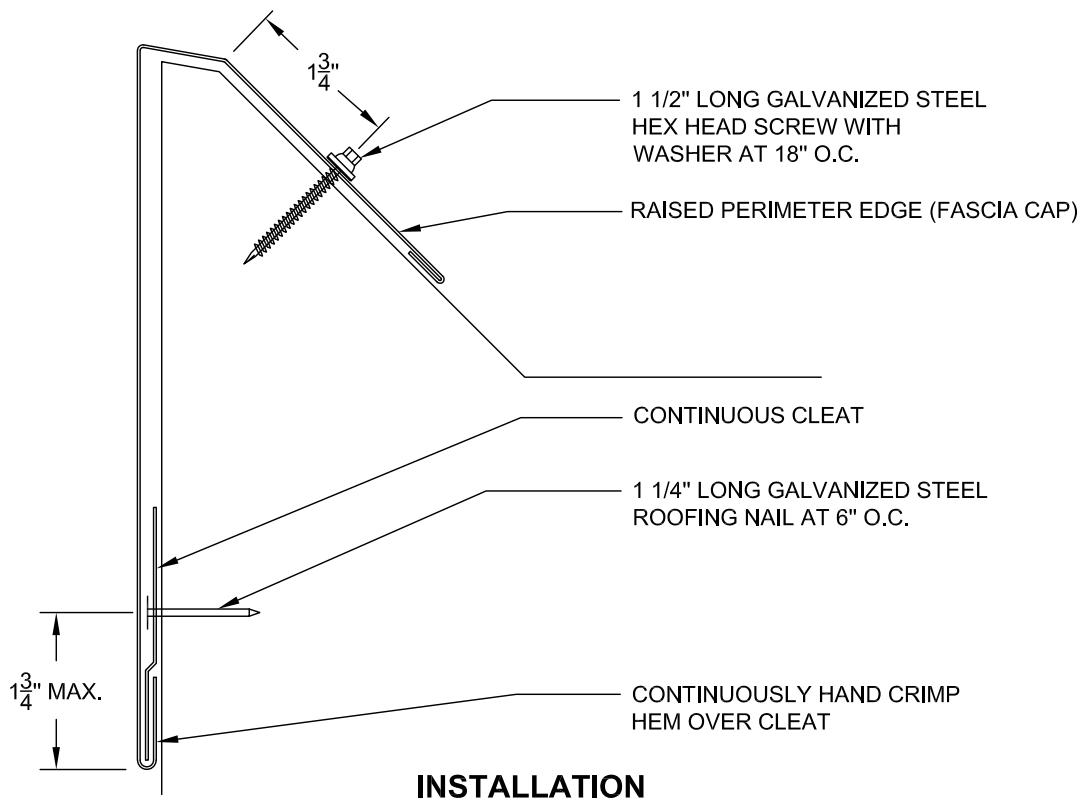
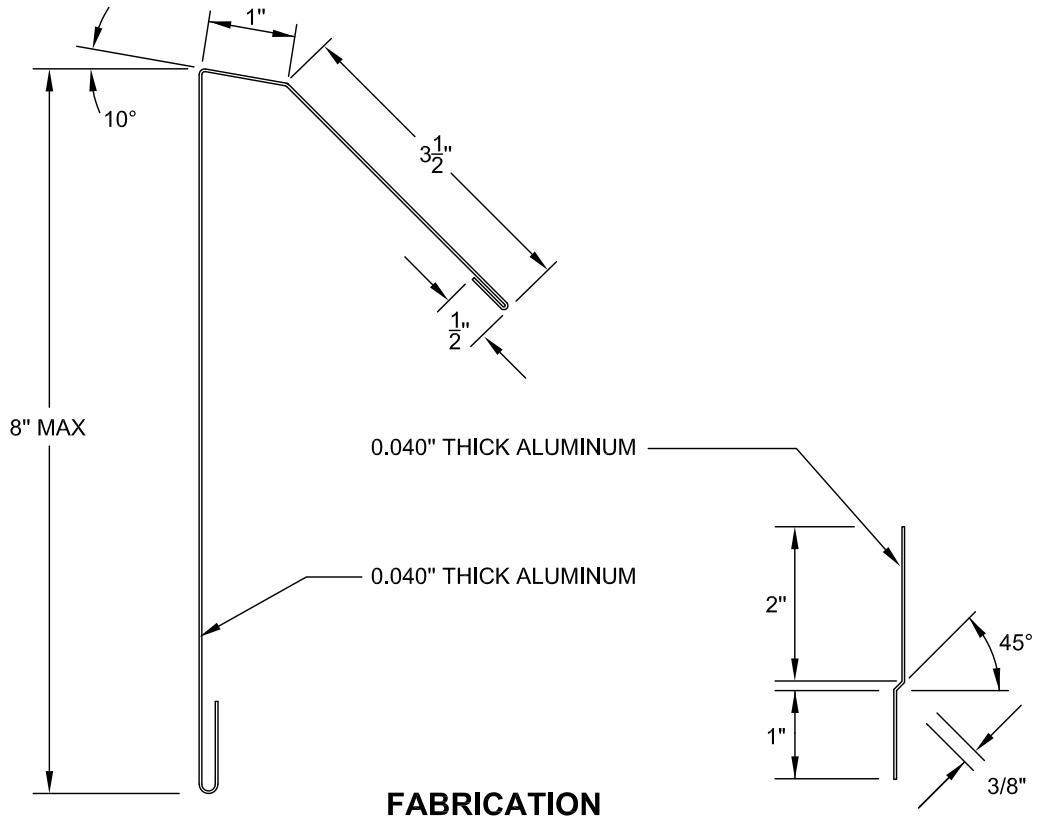
**RAISED PERIMETER EDGE
(FASCIA CAP) WITH FLAT DRIP**
• 0.040" ALUMINUM

**ANSI/SPRI ES-1
TESTED RESISTANCE**

330 LBS./SQ. FT.

UL-24

2/15/21 REV.
2/6/17



THE NRCA ROOFING MANUAL

CONSTRUCTION DETAIL FC-4

NRCA UL ES-1 CERTIFICATION

RAISED PERIMETER EDGE (FASCIA CAP) WITH FLAT DRIP

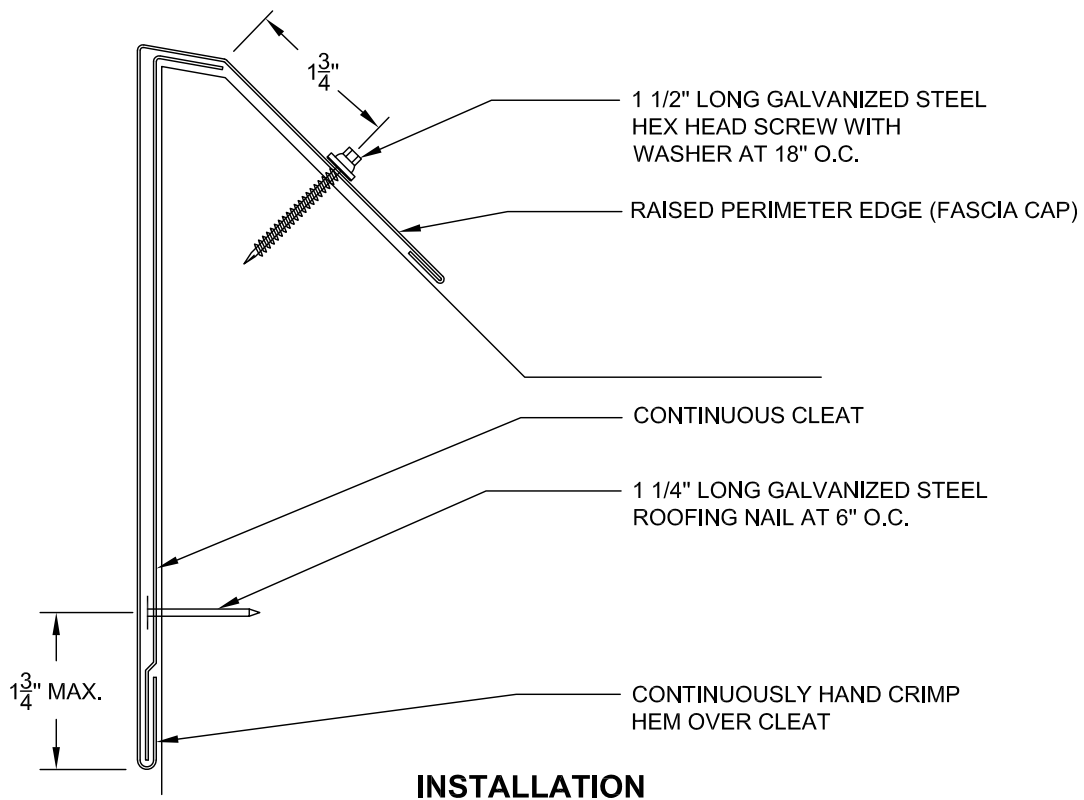
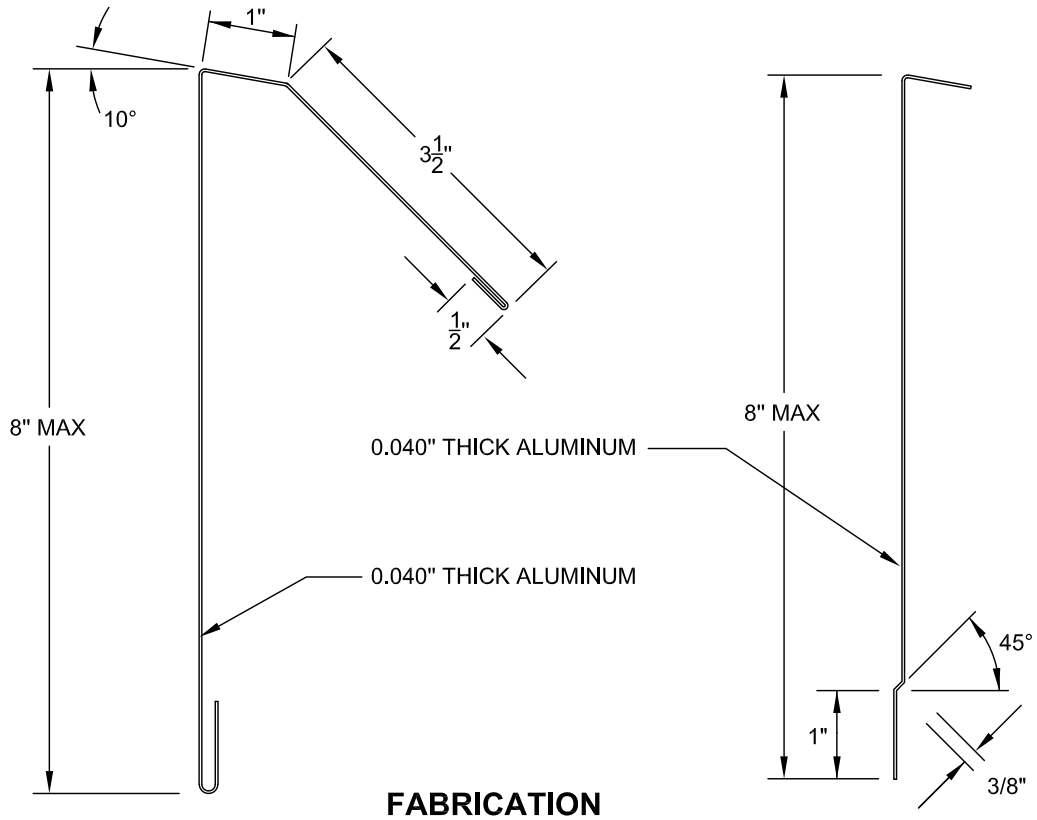
• 0.040" ALUMINUM

**ANSI/SPRI ES-1
TESTED RESISTANCE**

330 LBS./SQ. FT.

UL-24A

2/15/21 REV.
2/6/17



THE NRCA ROOFING MANUAL

CONSTRUCTION DETAIL EE-1

NRCA UL ES-1 CERTIFICATION

EMBEDDED EDGE (A-TYPE)

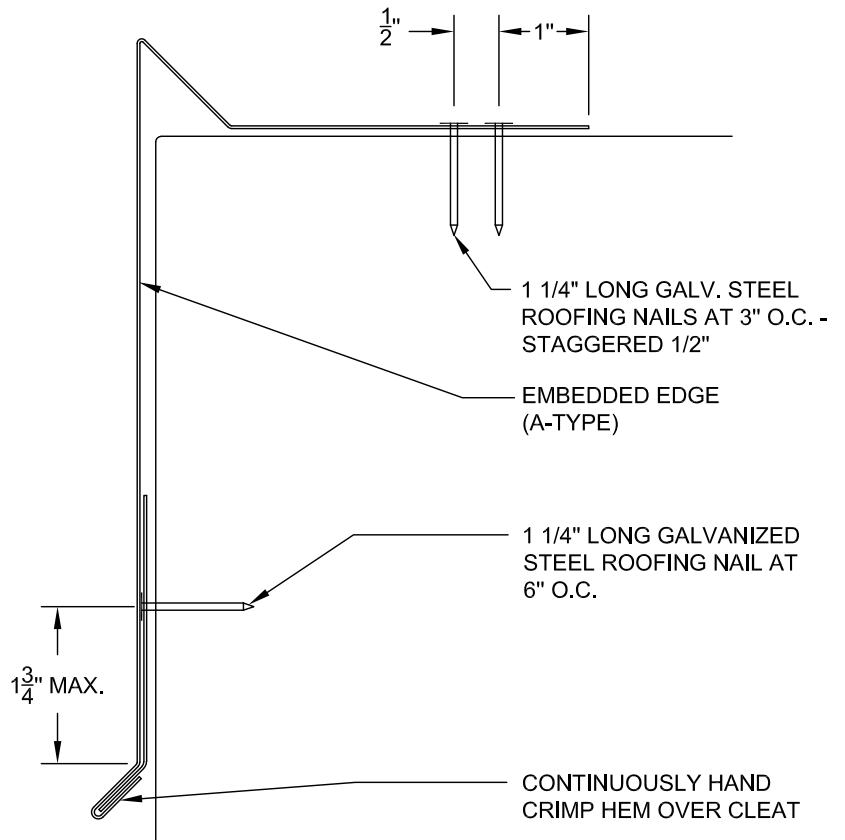
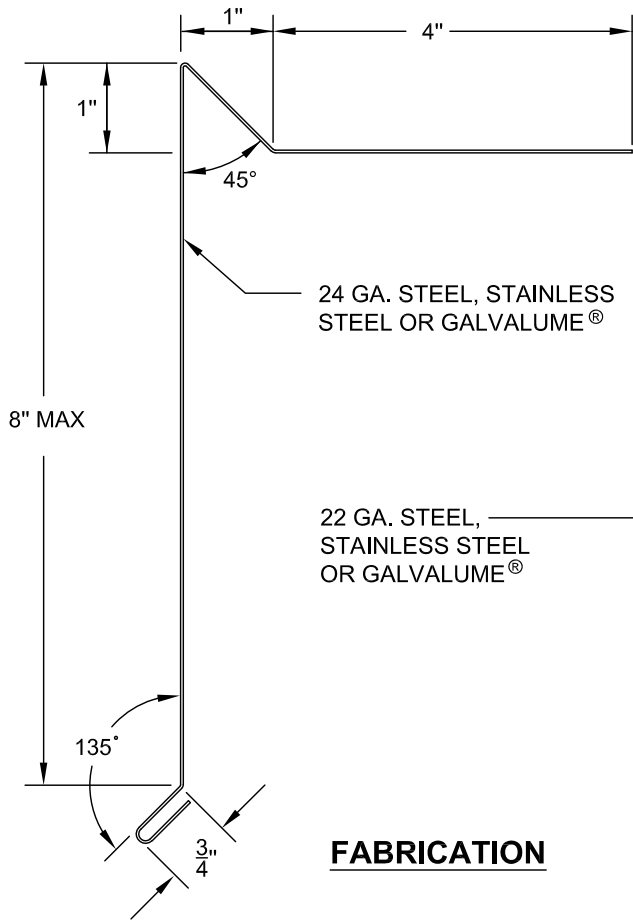
- 24 GA. STEEL
- 24 GA. STAINLESS STEEL
- 24 GA. GALVALUME®

**ANSI/SPRI ES-1
TESTED RESISTANCE**

210 LBS./SQ. FT.

UL-25

2/15/21 REV.
10/30/15



THE NRCA ROOFING MANUAL
CONSTRUCTION DETAIL EE-2

NRCA UL ES-1 CERTIFICATION

EMBEDDED EDGE (A-TYPE)

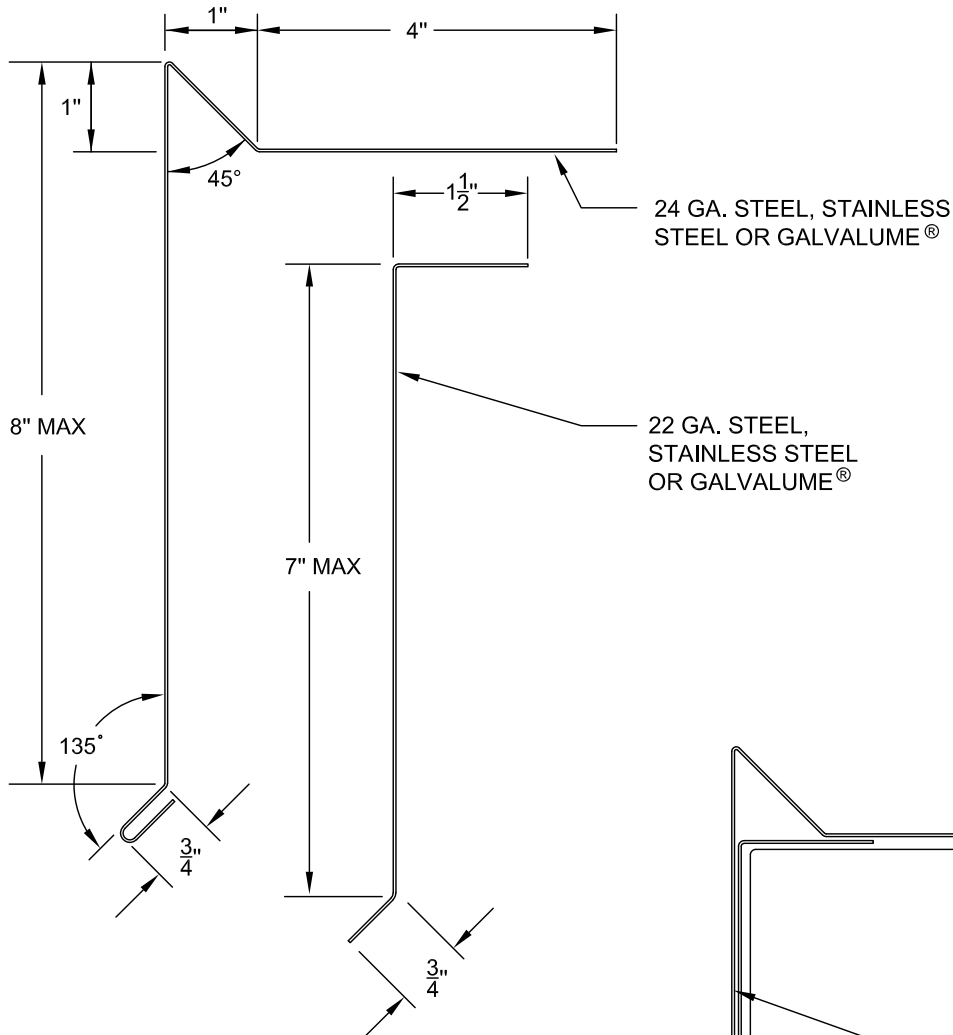
- 24 GA. STEEL
- 24 GA. STAINLESS STEEL
- 24 GA. GALVALUME®

**ANSI/SPRI ES-1
TESTED RESISTANCE**

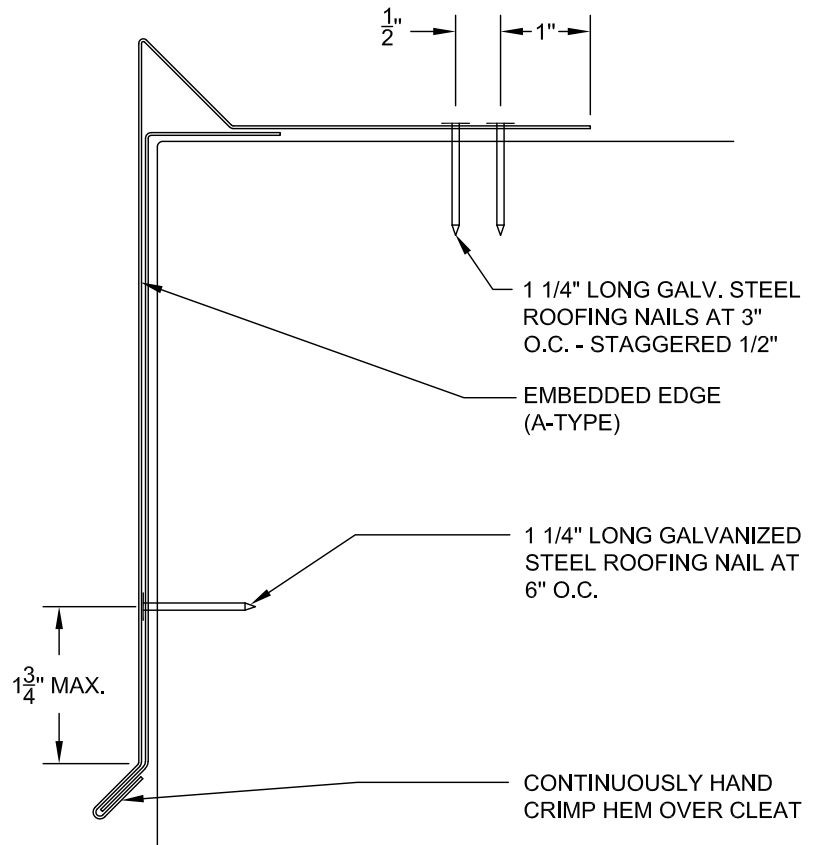
210 LBS./SQ. FT.

UL-25A

2/15/21 REV.
10/30/15



FABRICATION



INSTALLATION

THE NRCA ROOFING MANUAL
CONSTRUCTION DETAIL EE-1

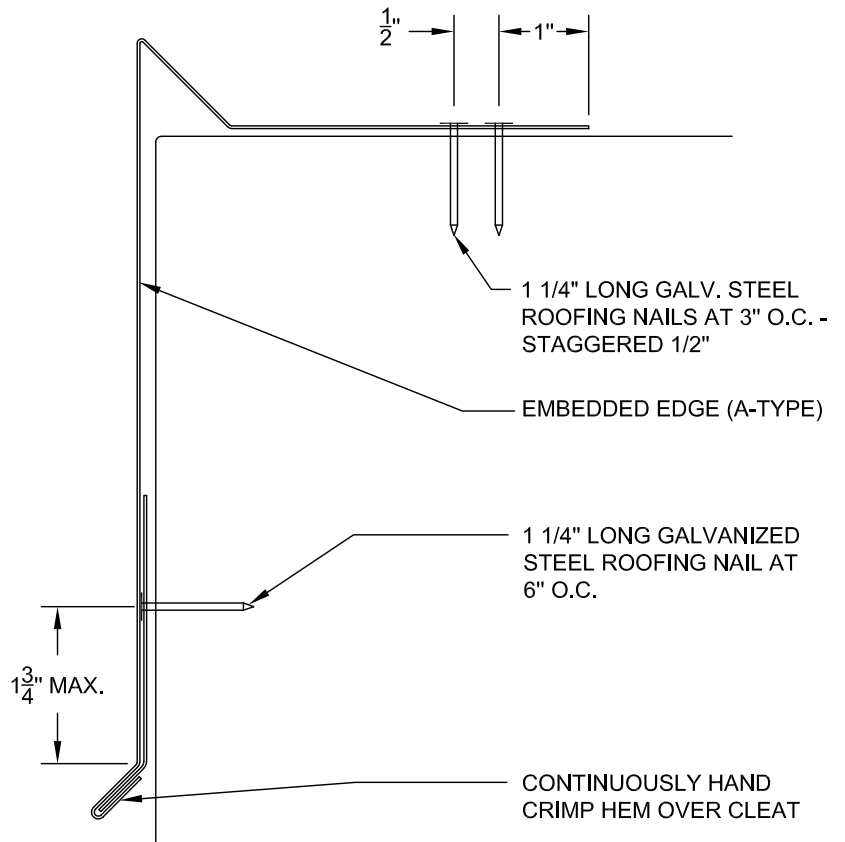
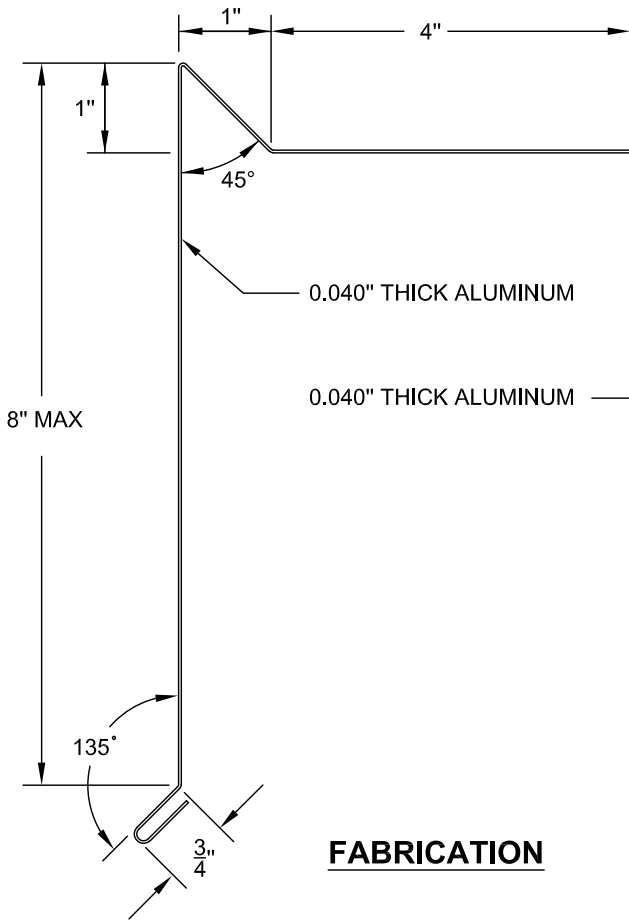
EMBEDDED EDGE (A-TYPE)
• 0.040" ALUMINUM

**ANSI/SPRI ES-1
TESTED RESISTANCE**

230 LBS./SQ. FT.

UL-26

2/15/21 REV.
2/6/17



THE NRCA ROOFING MANUAL
CONSTRUCTION DETAIL EE-2

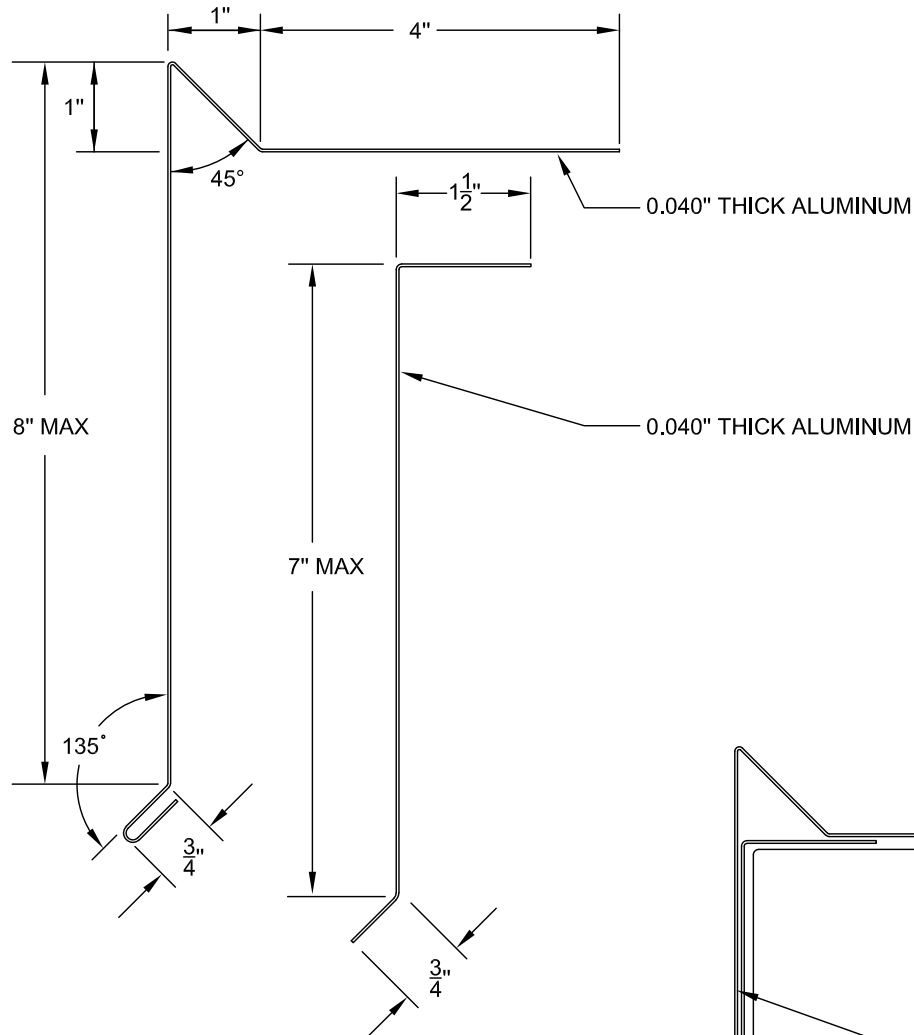
EMBEDDED EDGE (A-TYPE)
• 0.040" ALUMINUM

**ANSI/SPRI ES-1
TESTED RESISTANCE**

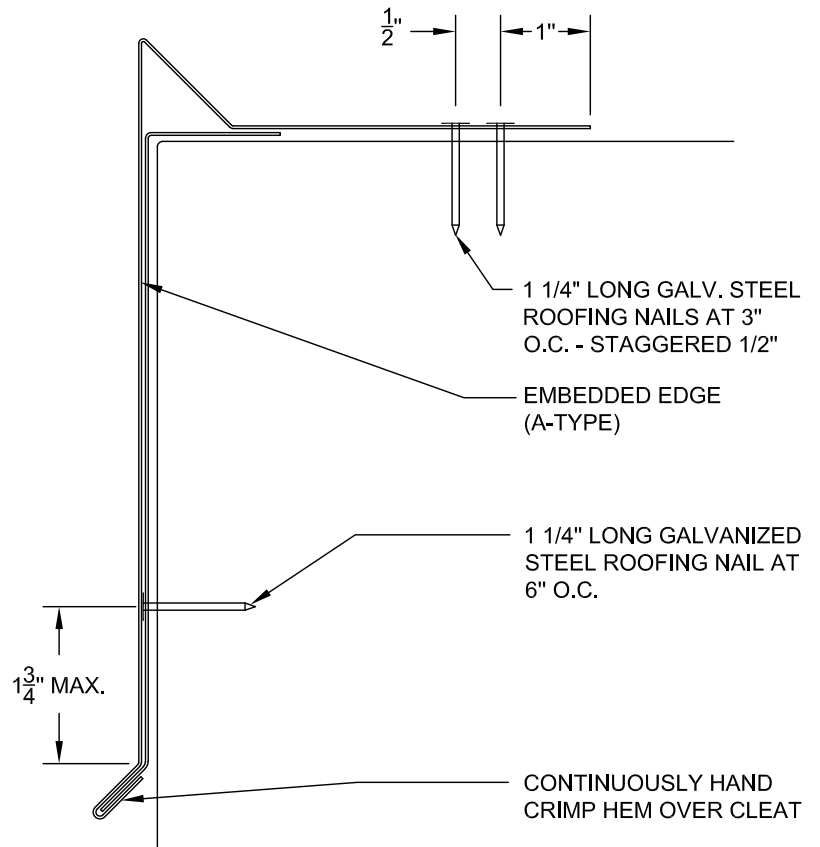
230 LBS./SQ. FT.

UL-26A

2/15/21 REV.
2/6/17



FABRICATION



INSTALLATION

THE NRCA ROOFING MANUAL
CONSTRUCTION DETAIL EE-1

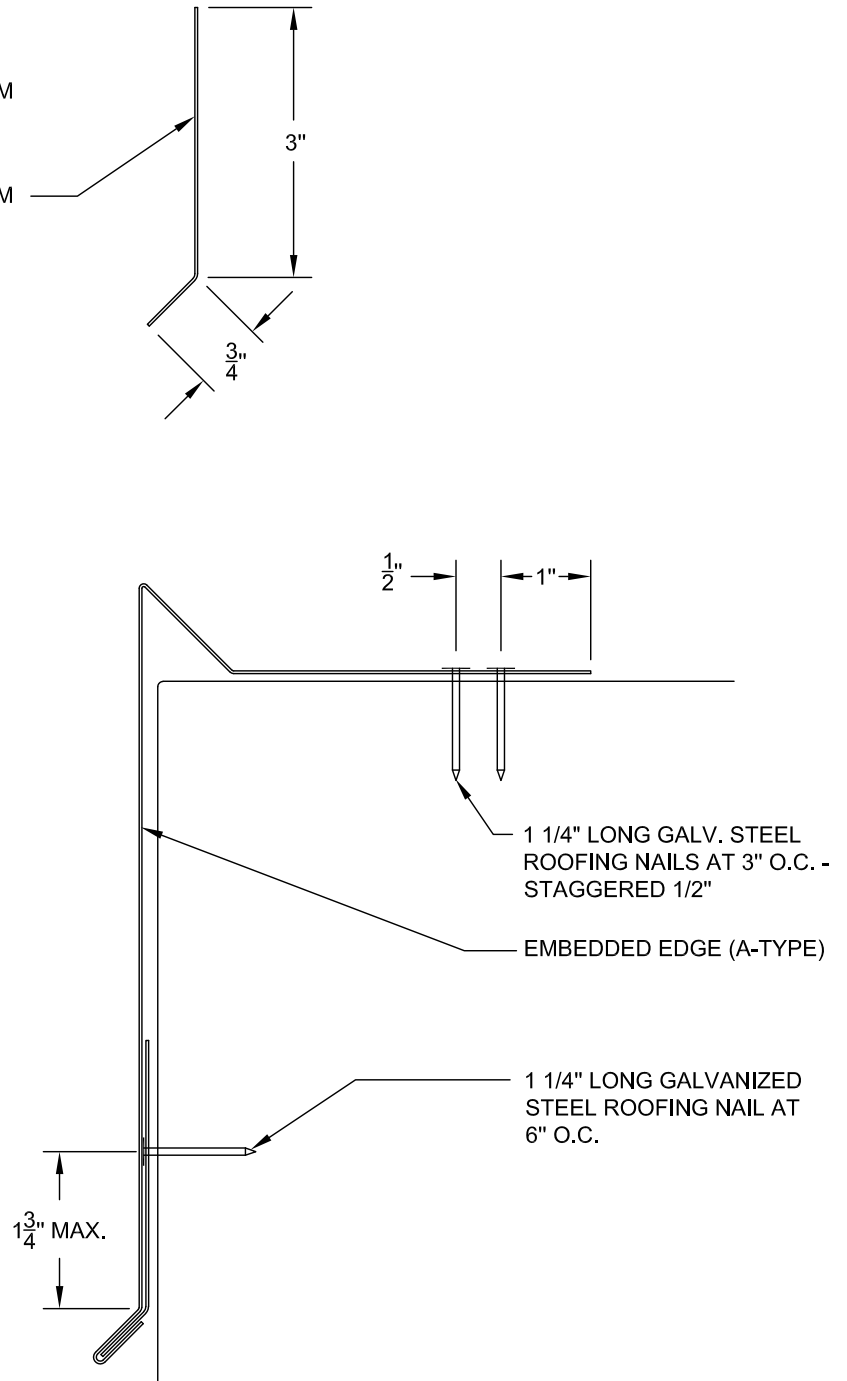
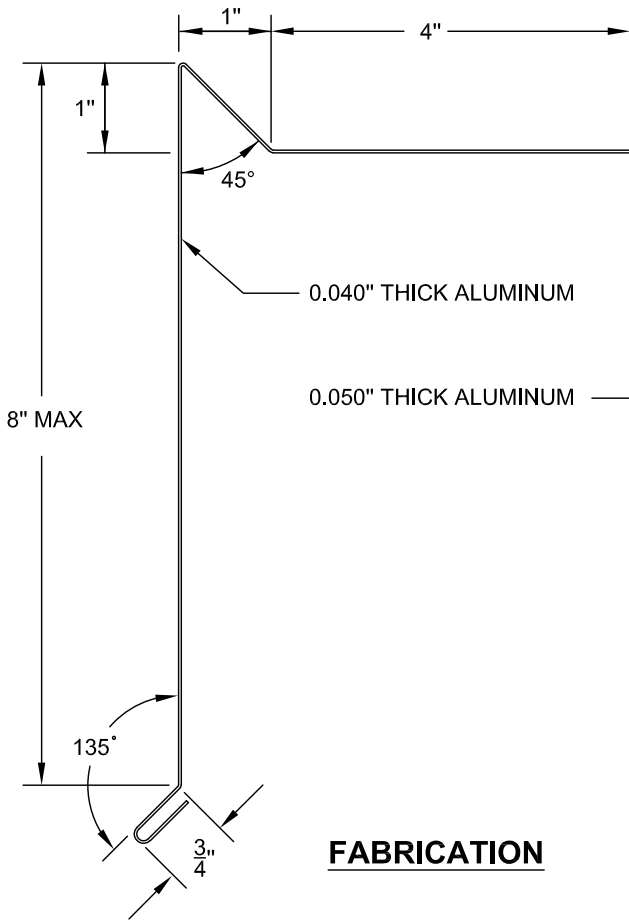
EMBEDDED EDGE (A-TYPE)
• 0.040" ALUMINUM

**ANSI/SPRI ES-1
TESTED RESISTANCE**

200 LBS./SQ. FT.

UL-27

2/15/21 REV.
2/6/17



THE NRCA ROOFING MANUAL
CONSTRUCTION DETAIL EE-2

EMBEDDED EDGE (A-TYPE)
• 0.040" ALUMINUM

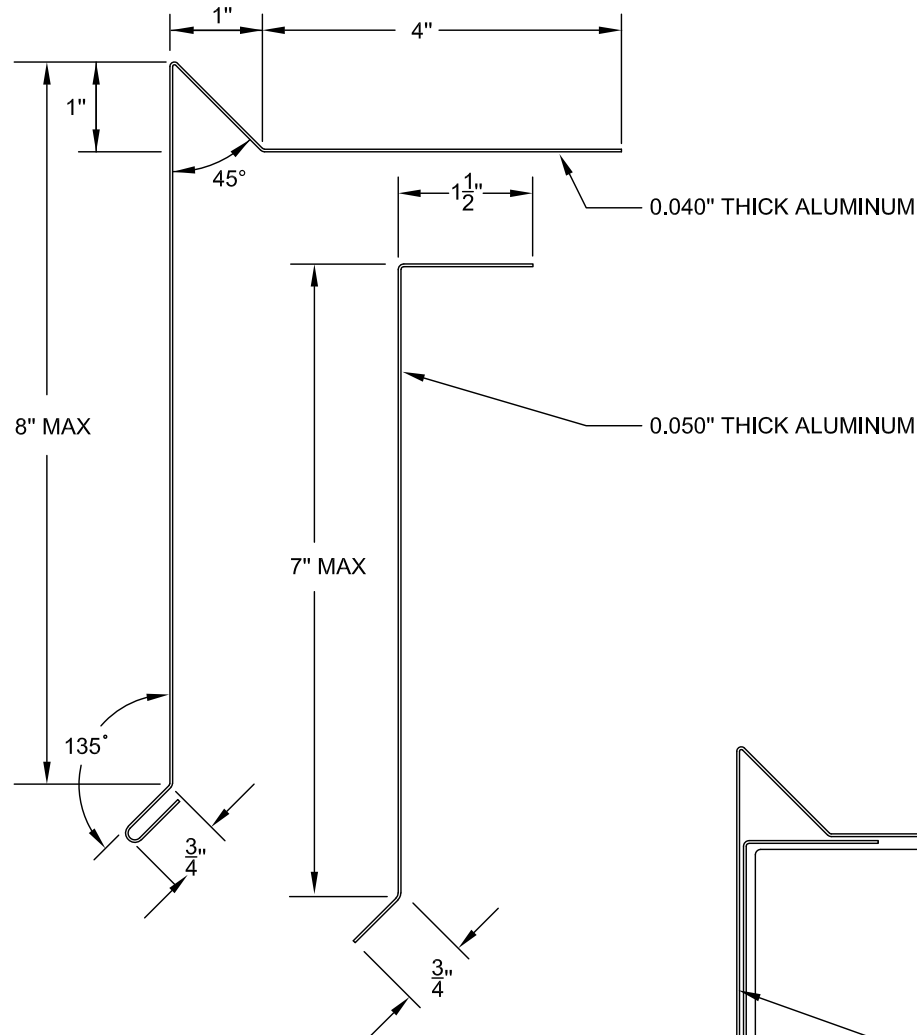
**ANSI/SPRI ES-1
TESTED RESISTANCE**

200 LBS./SQ. FT.

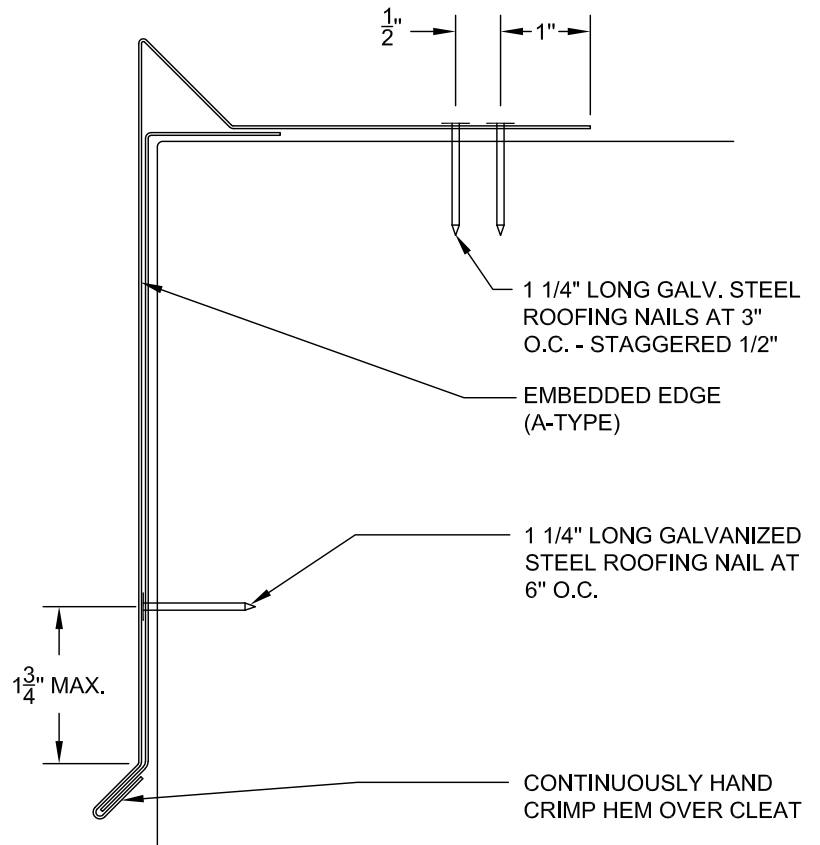
UL-27A

2/15/21 REV.

5/22/14



FABRICATION



INSTALLATION

THE NRCA ROOFING MANUAL

CONSTRUCTION DETAIL EE-3

NRCA UL ES-1 CERTIFICATION

**EMBEDDED EDGE (A-TYPE)
WITH FLAT DRIP**

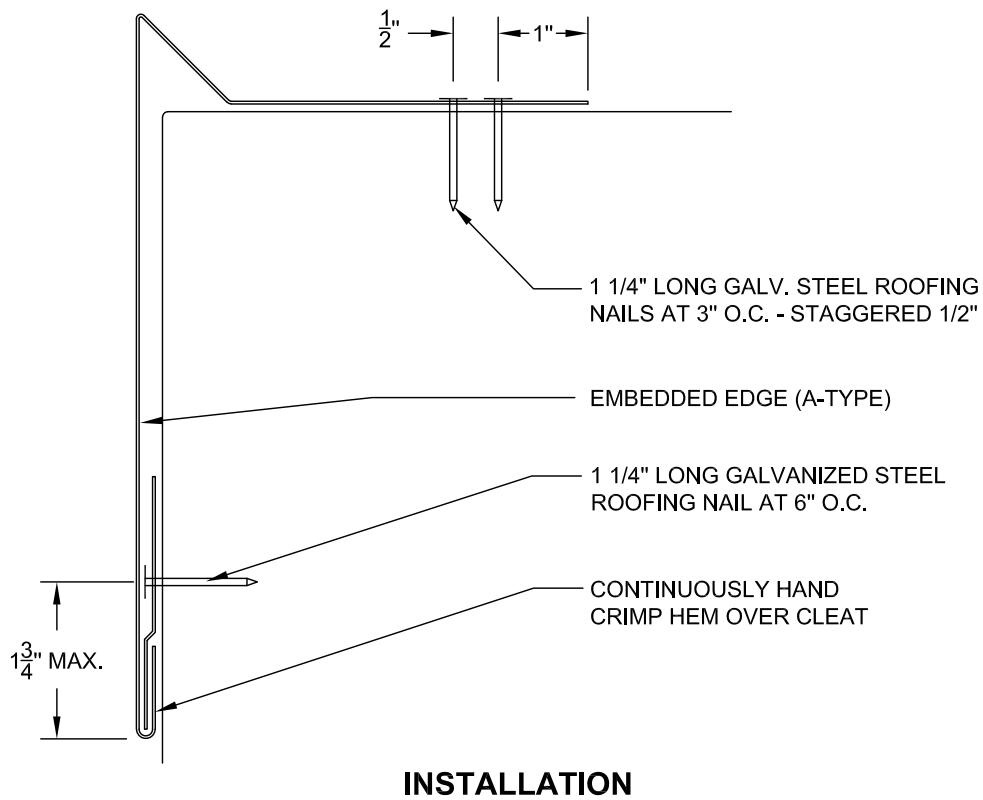
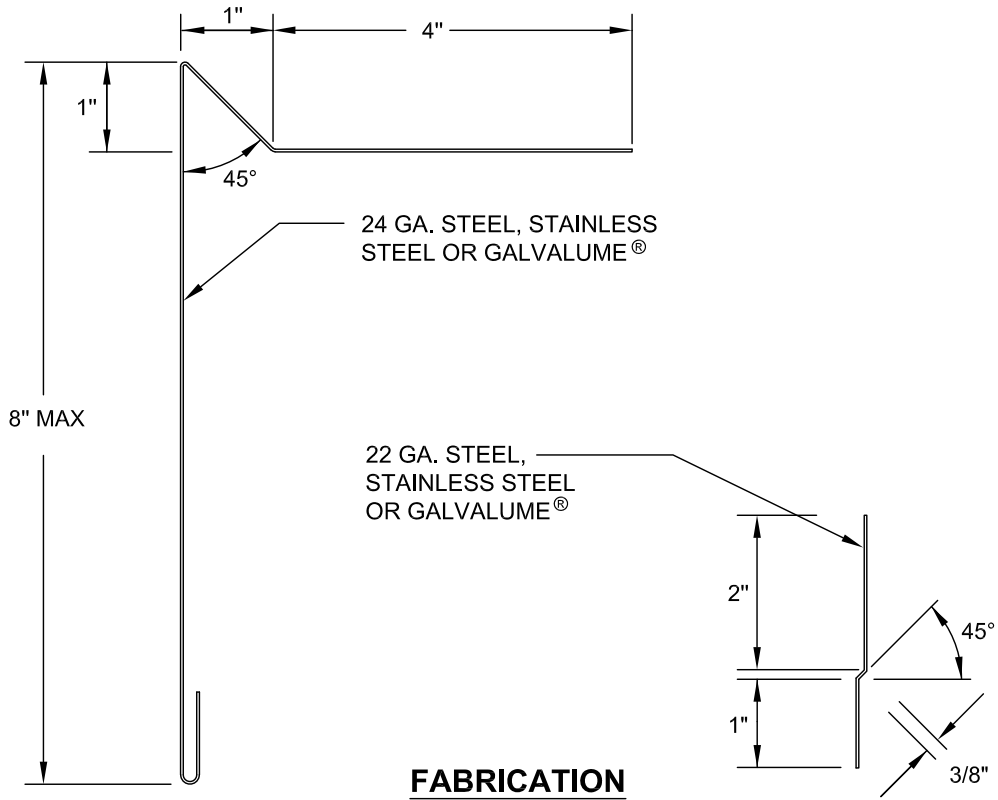
- 24 GA. STEEL
- 24 GA. STAINLESS STEEL
- 24 GA. GALVALUME®

**ANSI/SPRI ES-1
TESTED RESISTANCE**

390 LBS./SQ. FT.

UL-28

2/15/21 REV.
10/30/15



THE NRCA ROOFING MANUAL

CONSTRUCTION DETAIL EE-4

NRCA UL ES-1 CERTIFICATION

**EMBEDDED EDGE (A-TYPE)
WITH FLAT DRIP**

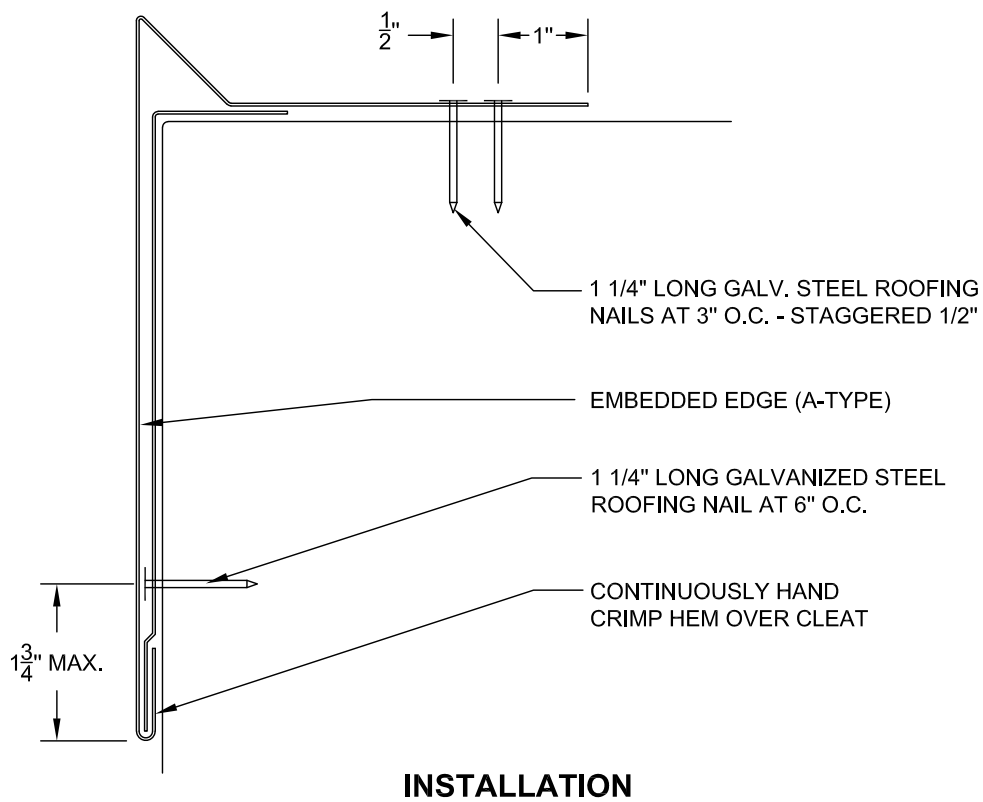
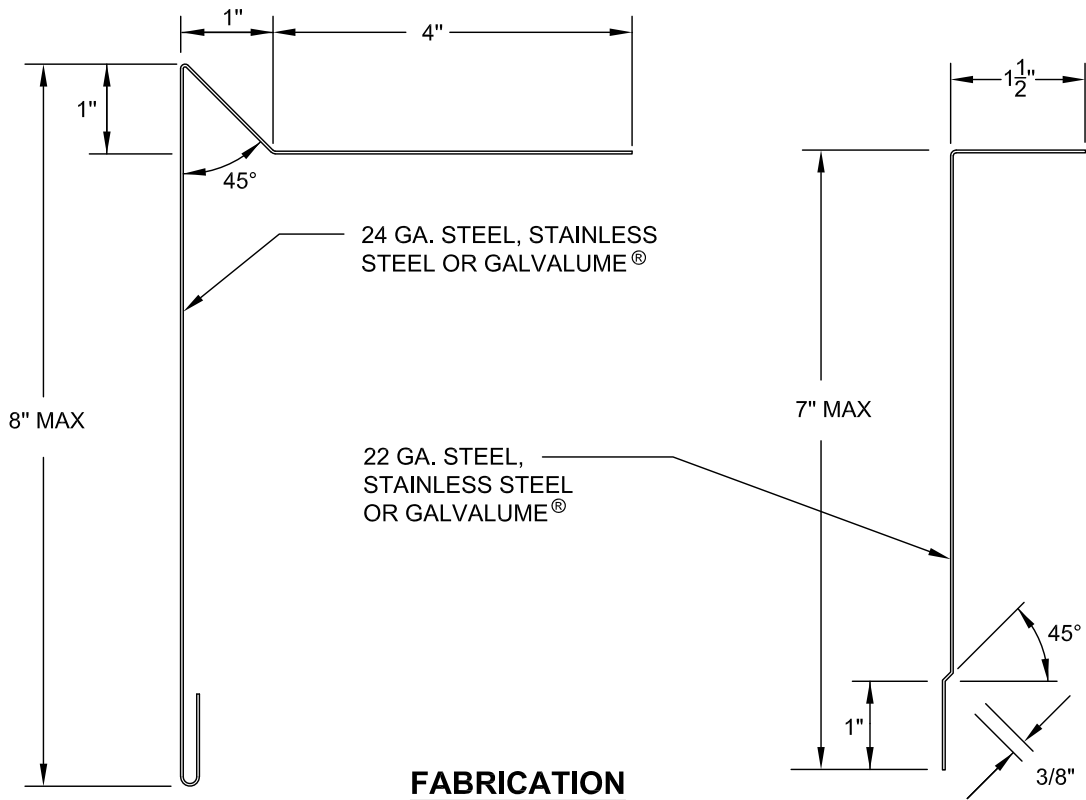
- 24 GA. STEEL
- 24 GA. STAINLESS STEEL
- 24 GA. GALVALUME®

**ANSI/SPRI ES-1
TESTED RESISTANCE**

390 LBS./SQ. FT.

UL-28A

2/15/21 REV.
10/30/15



THE NRCA ROOFING MANUAL
CONSTRUCTION DETAIL EE-3

**EMBEDDED EDGE (A-TYPE)
WITH FLAT DRIP**
• 0.040" ALUMINUM

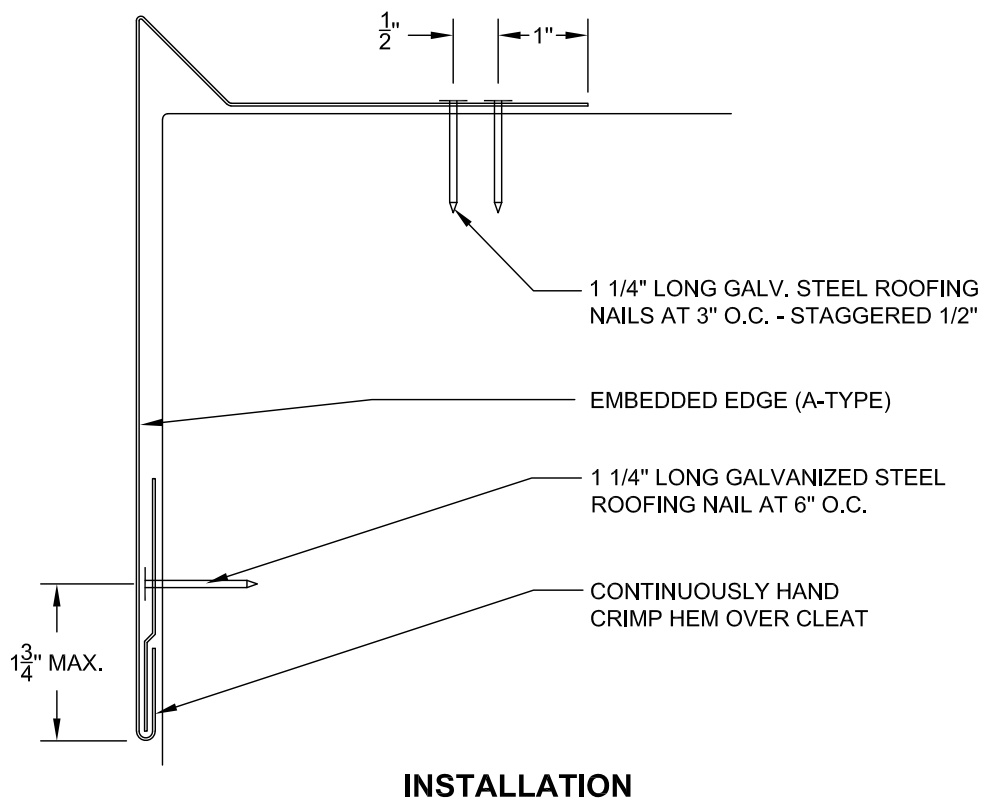
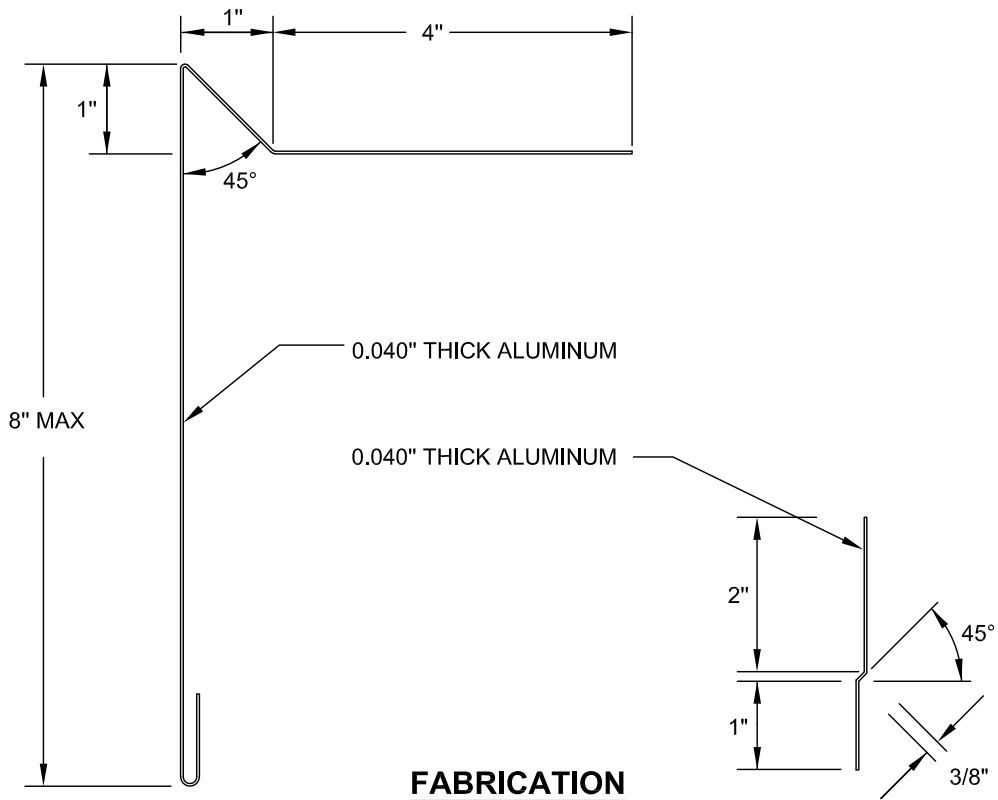
**ANSI/SPRI ES-1
TESTED RESISTANCE**

390 LBS./SQ. FT.

UL-29

2/15/21 REV.
2/6/17

NRCA UL ES-1 CERTIFICATION



THE NRCA ROOFING MANUAL
CONSTRUCTION DETAIL EE-4

**EMBEDDED EDGE (A-TYPE)
WITH FLAT DRIP**
• 0.040" ALUMINUM

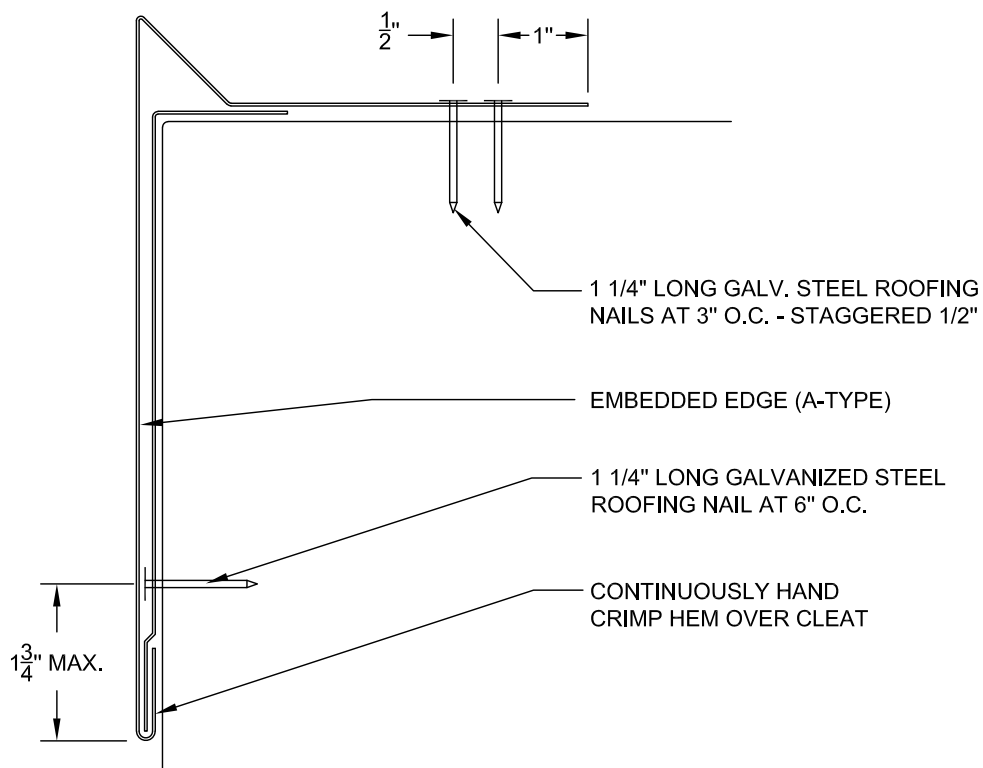
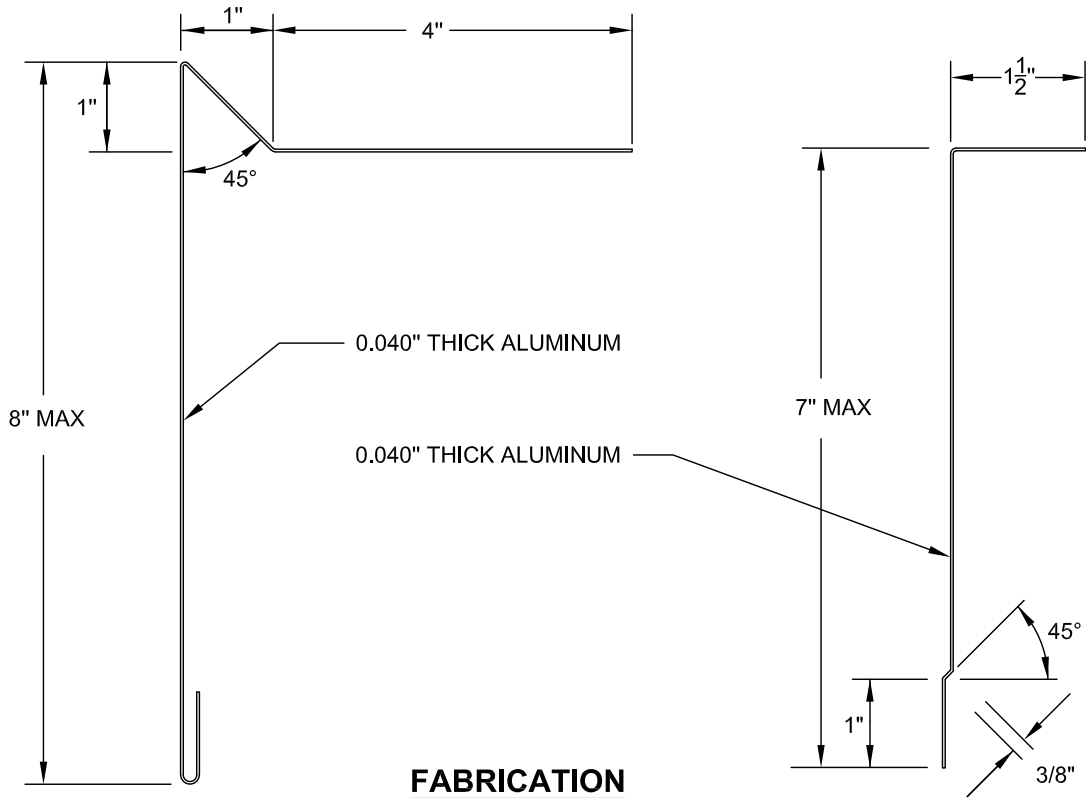
**ANSI/SPRI ES-1
TESTED RESISTANCE**

390 LBS./SQ. FT.

UL-29A

2/15/21 REV.
2/6/17

NRCA UL ES-1 CERTIFICATION



THE NRCA ROOFING MANUAL

CONSTRUCTION DETAIL EE-5

NRCA UL ES-1 CERTIFICATION

EMBEDDED EDGE (L-TYPE)

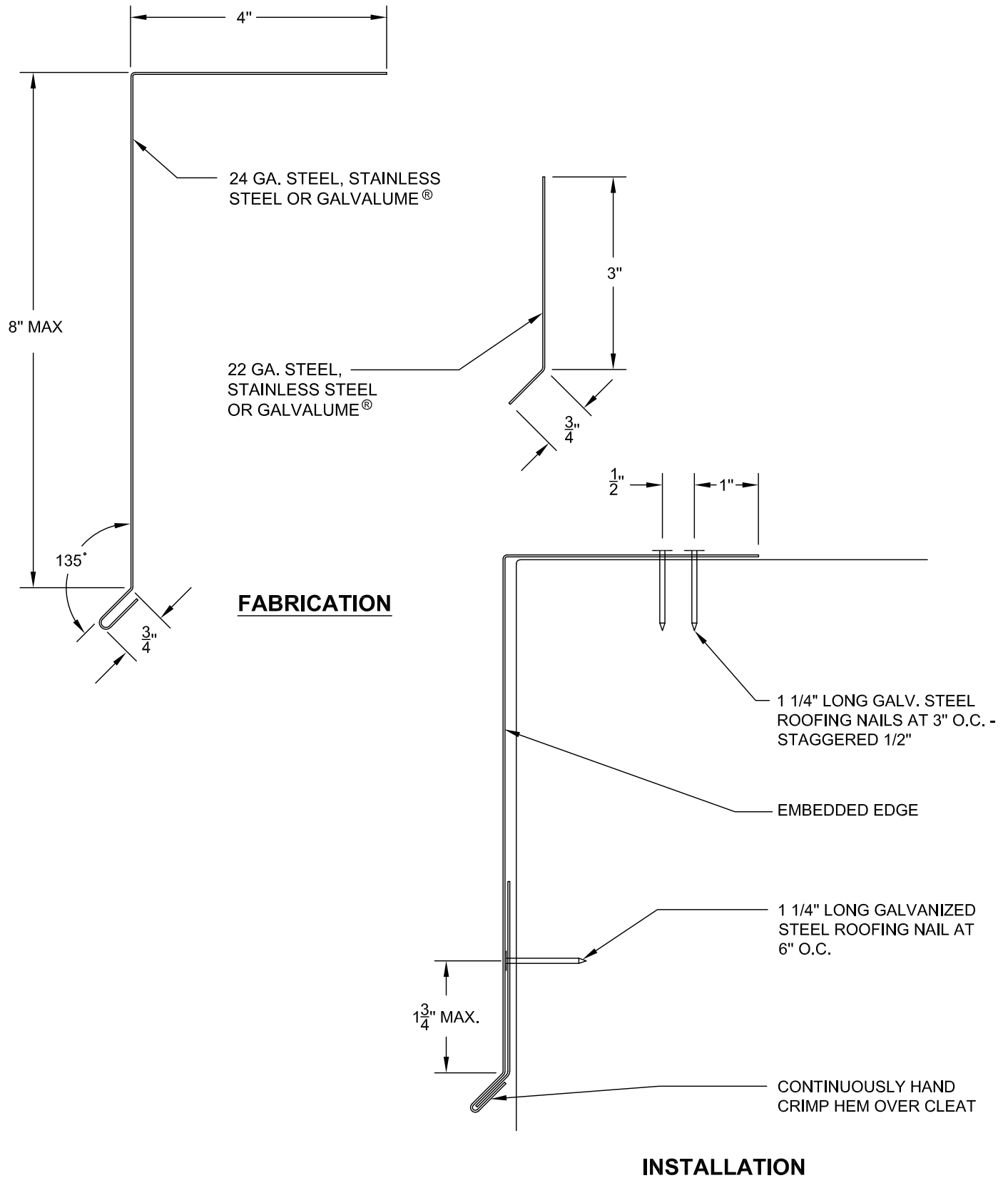
- 24 GA. STEEL
- 24 GA. STAINLESS STEEL
- 24 GA. GALVALUME®

**ANSI/SPRI ES-1
TESTED RESISTANCE**

210 LBS./SQ. FT.

UL-30

2/15/21 REV.
10/30/15



THE NRCA ROOFING MANUAL
CONSTRUCTION DETAIL EE-5

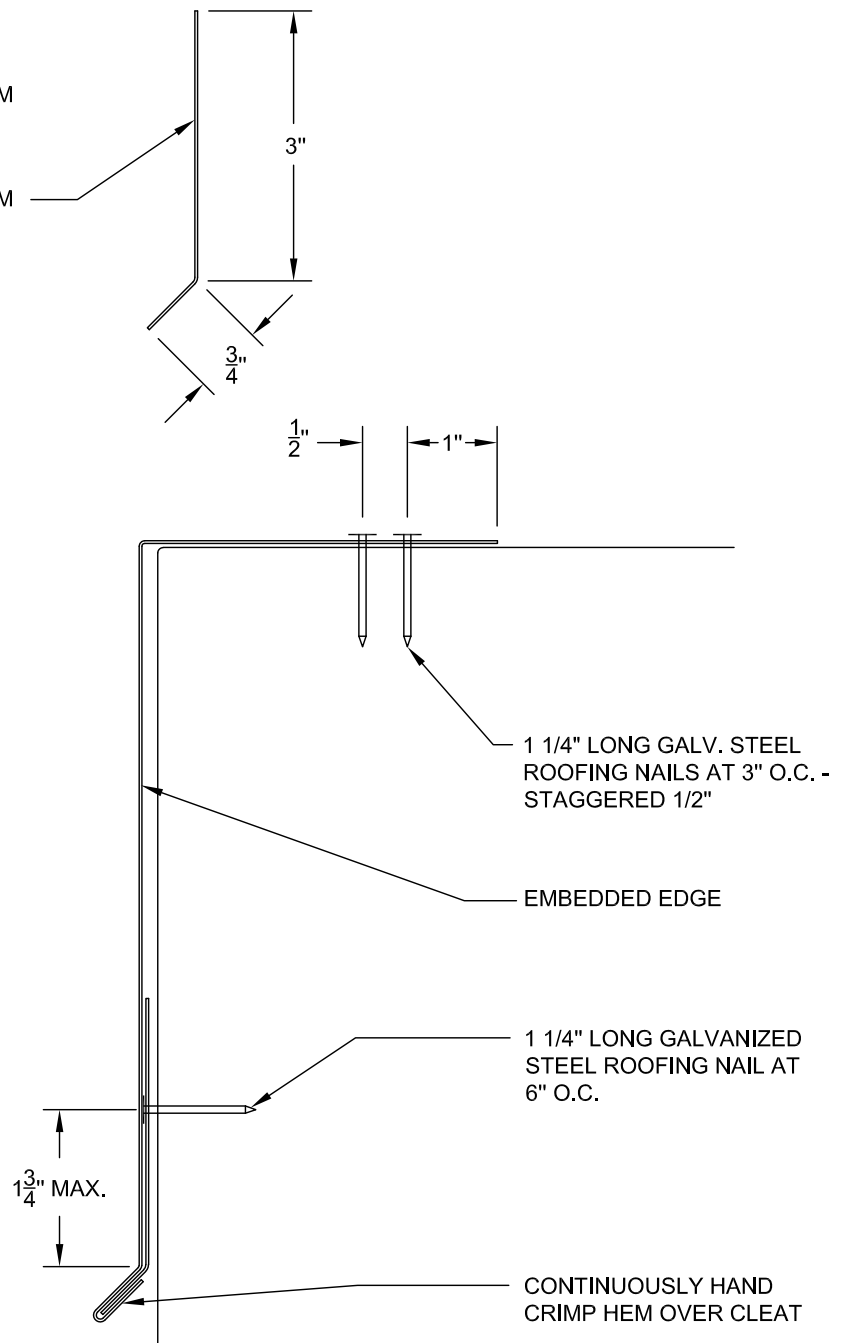
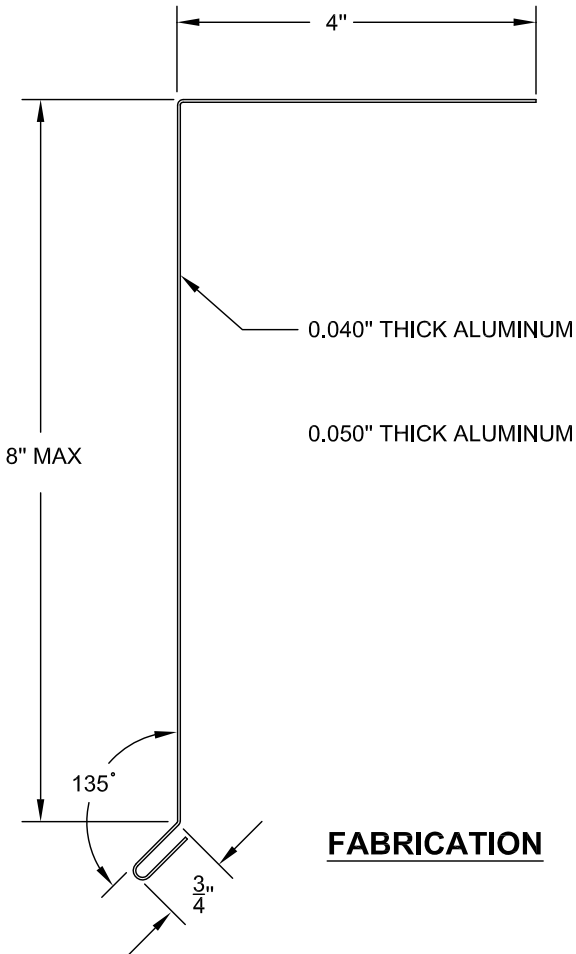
EMBEDDED EDGE (L-TYPE)
• 0.040" ALUMINUM

**ANSI/SPRI ES-1
TESTED RESISTANCE**

230 LBS./SQ. FT.

UL-31

2/15/21 REV.
2/6/17



THE NRCA ROOFING MANUAL
CONSTRUCTION DETAIL EE-5

NRCA UL ES-1 CERTIFICATION

EMBEDDED EDGE (L-TYPE)

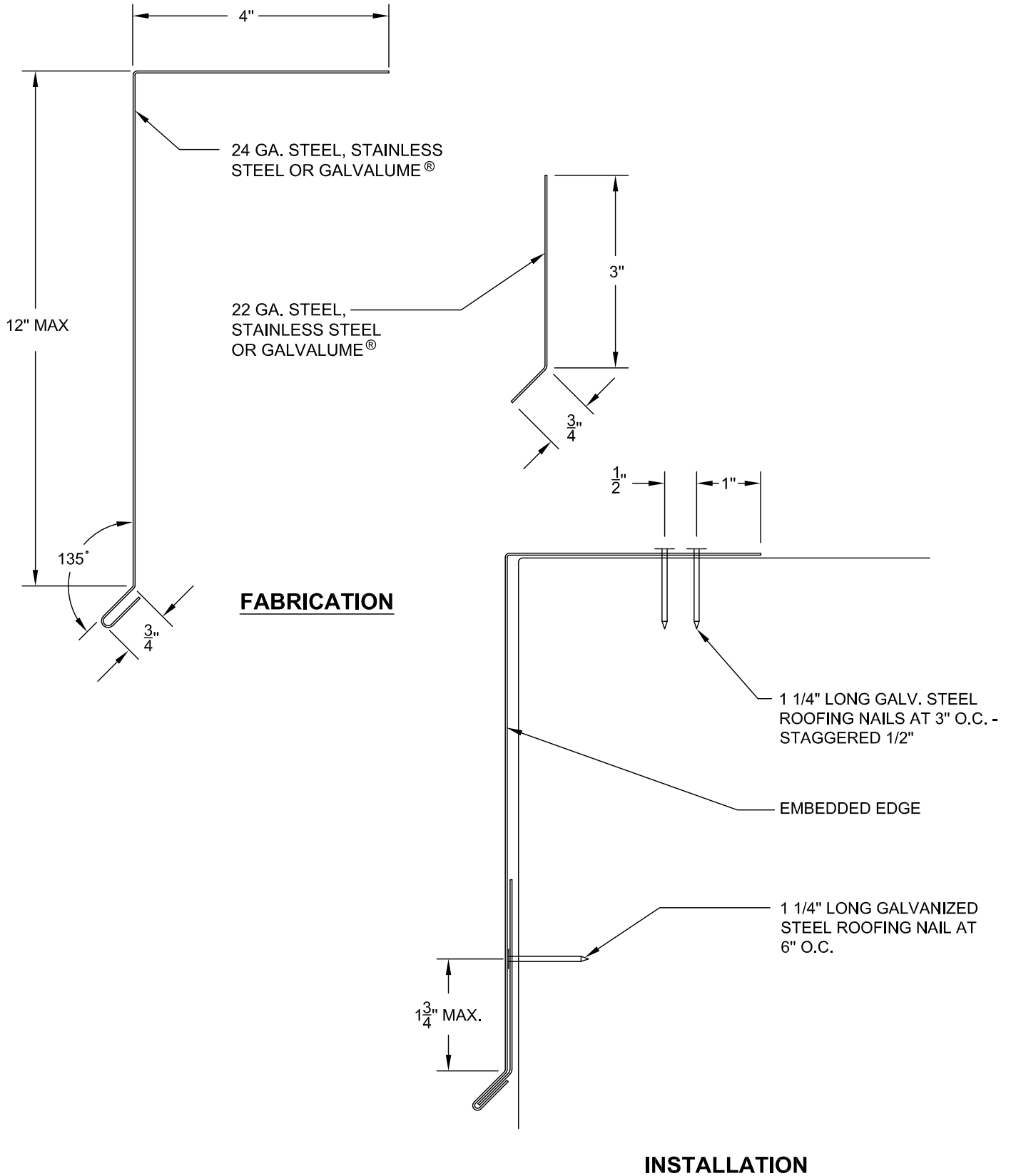
- 24 GA. STEEL
- 24 GA. STAINLESS STEEL
- 24 GA. GALVALUME®

**ANSI/SPRI ES-1
TESTED RESISTANCE**

125 LBS./SQ. FT.

UL-32

2/15/21 REV.
10/30/15



THE NRCA ROOFING MANUAL
CONSTRUCTION DETAIL EE-5

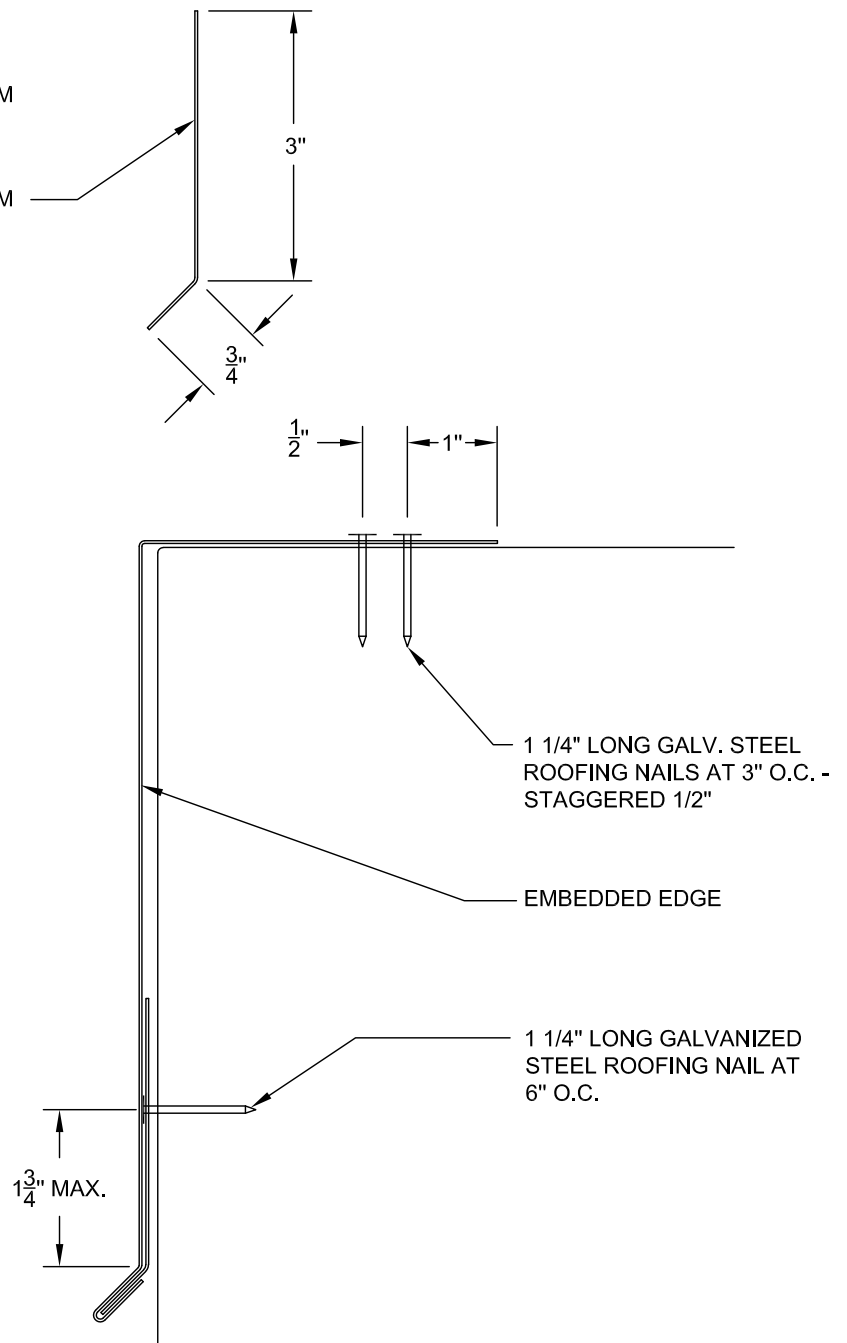
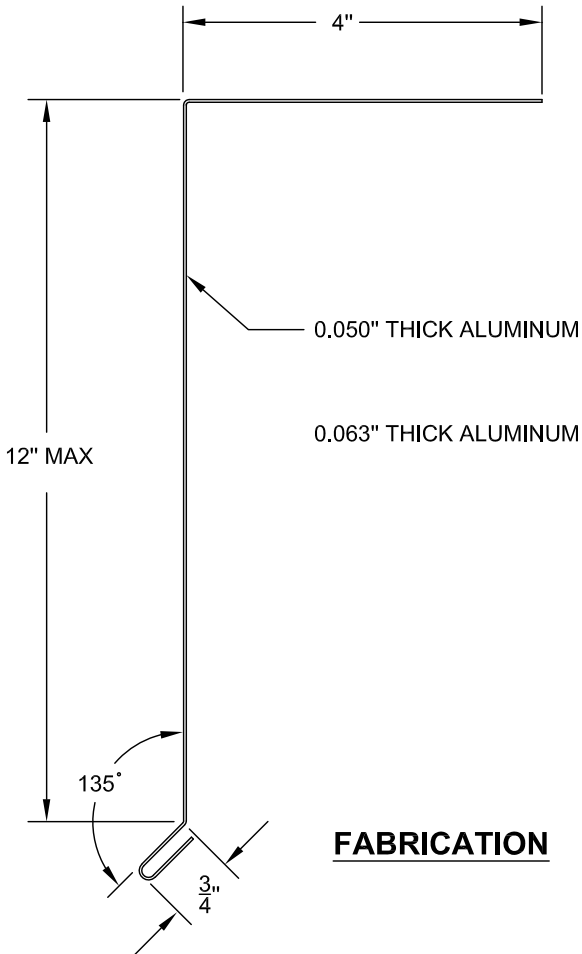
EMBEDDED EDGE (L-TYPE)
• 0.050" ALUMINUM

**ANSI/SPRI ES-1
TESTED RESISTANCE**

190 LBS./SQ. FT.

UL-33

2/15/21 REV.
2/6/17



FACE EXTENDER

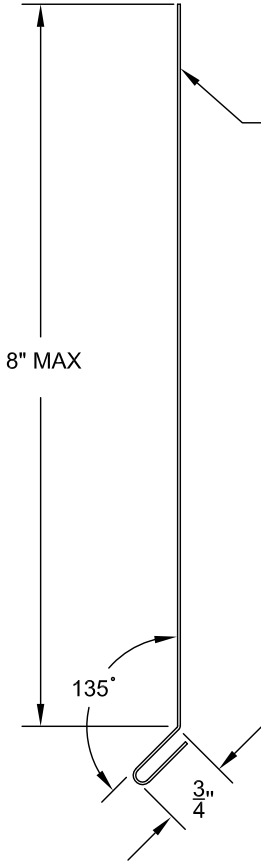
- 24 GA. STEEL
- 24 GA. STAINLESS STEEL
- 24 GA. GALVALUME®

**ANSI/SPRI ES-1
TESTED RESISTANCE**

210 LBS./SQ. FT.

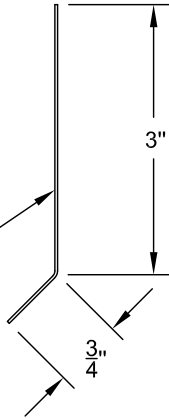
UL-34

2/15/21 REV.
10/30/15

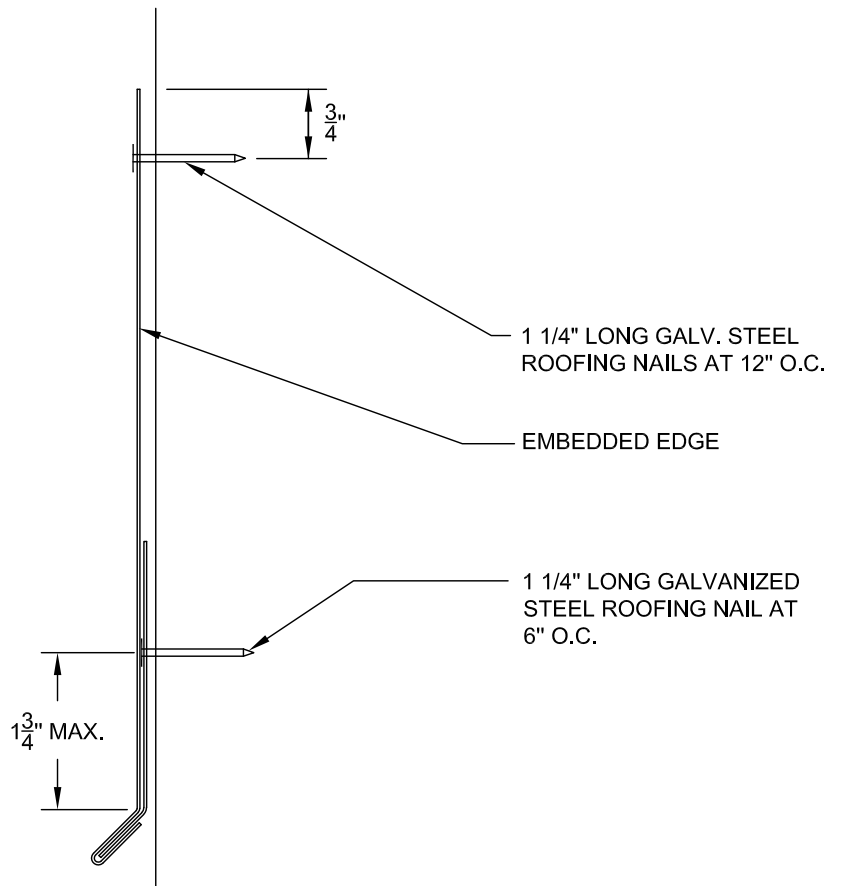


24 GA. STEEL, STAINLESS
STEEL OR GALVALUME®

22 GA. STEEL,
STAINLESS STEEL
OR GALVALUME®



FABRICATION



INSTALLATION

FACE EXTENDER

• 0.040" ALUMINUM

ANSI/SPRI ES-1
TESTED RESISTANCE

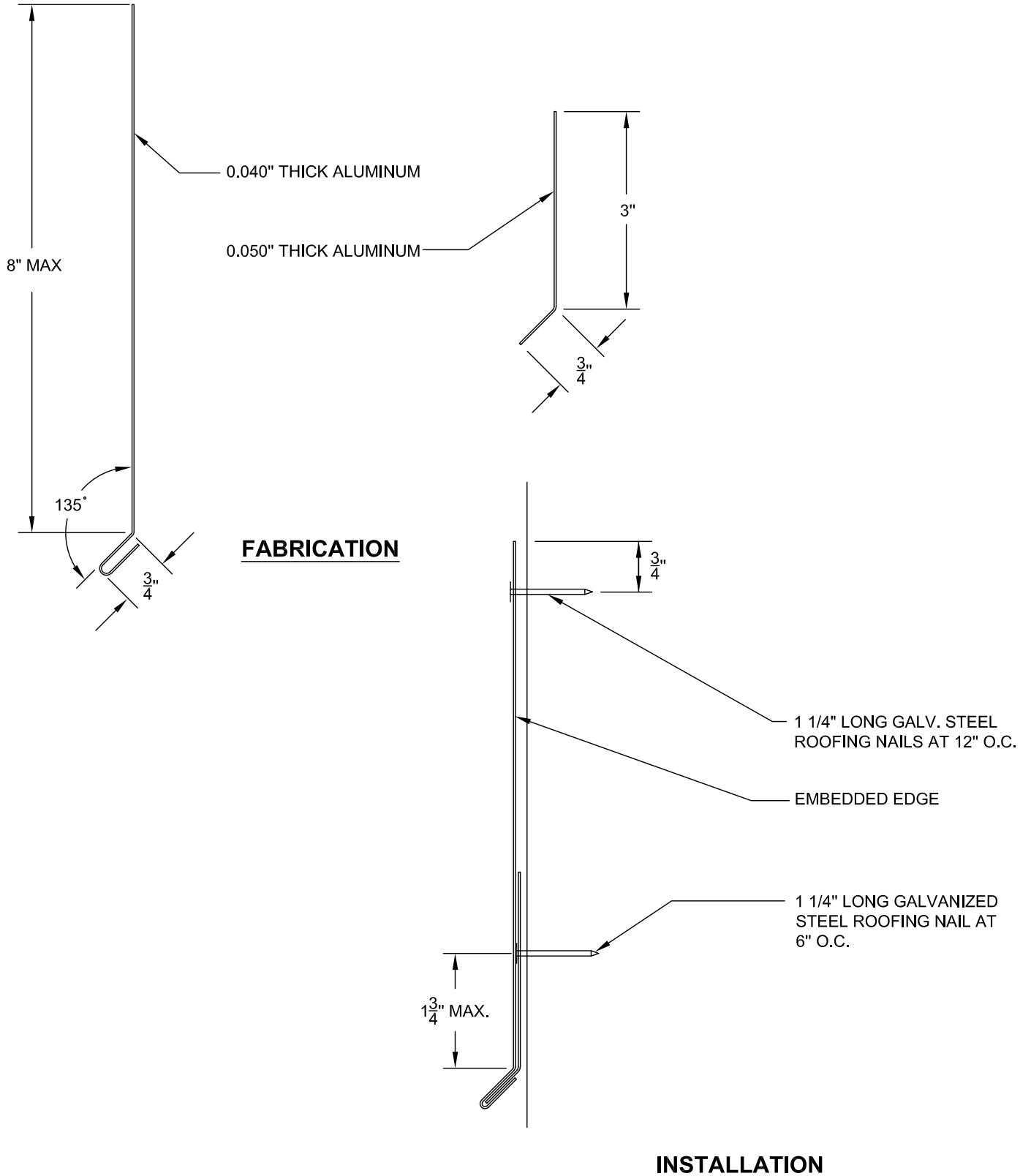
220 LBS./SQ. FT.

UL-35

2/15/21 REV.

2/6/17

NRCA UL ES-1 CERTIFICATION



THE NRCA ROOFING MANUAL
CONSTRUCTION DETAILS

NRCA UL ES-1 CERTIFICATION

**RAISED PERIMETER EDGE
(FASCIA CAP)**

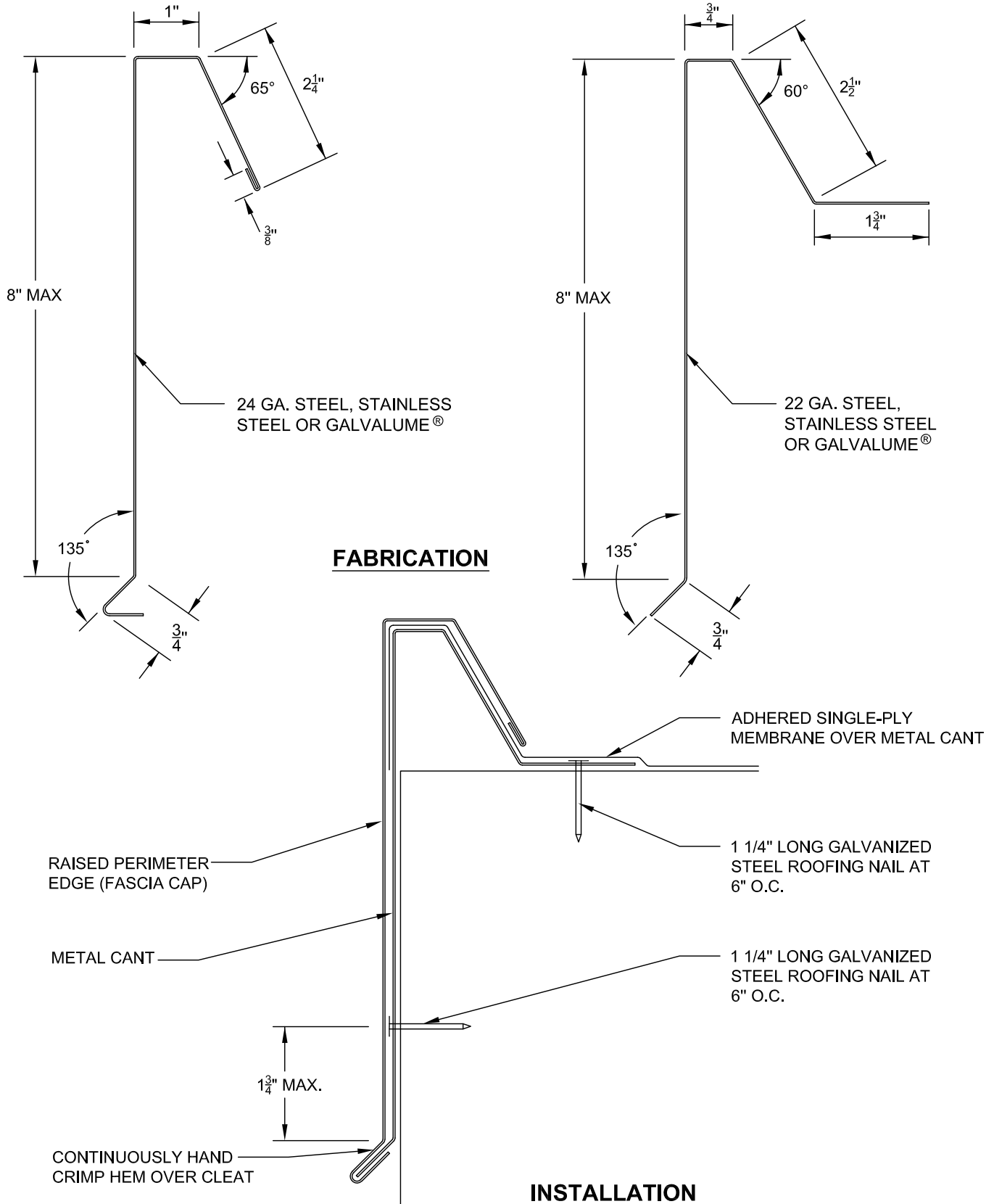
- 24 GA. STEEL
- 24 GA. STAINLESS STEEL
- 24 GA. GALVALUME®

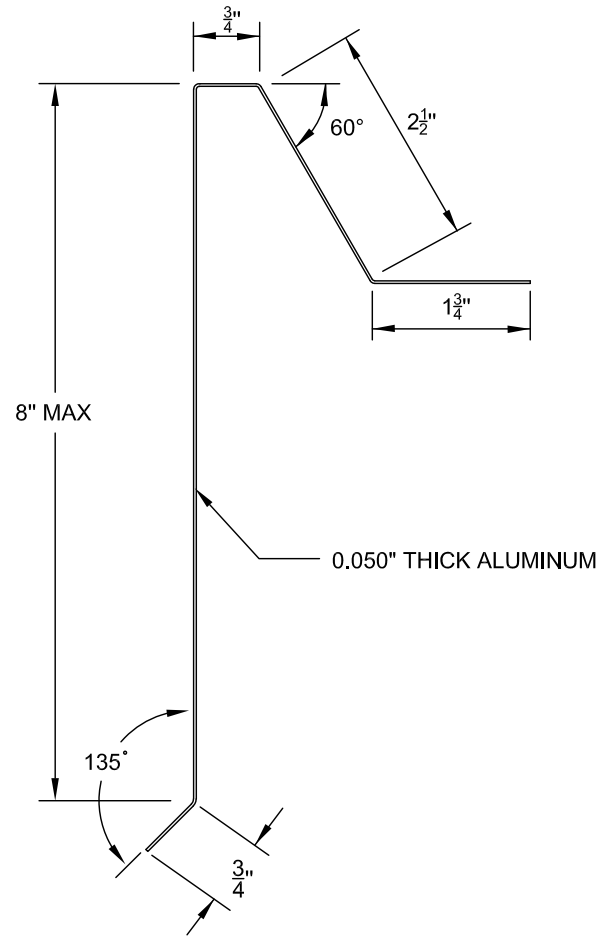
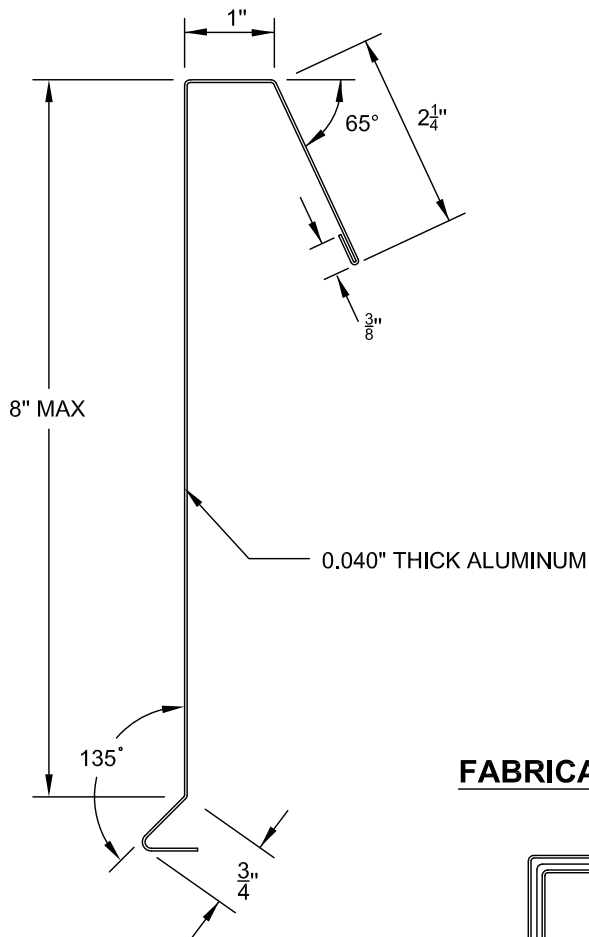
**ANSI/SPRI ES-1
TESTED RESISTANCE**

190 LBS./SQ. FT.

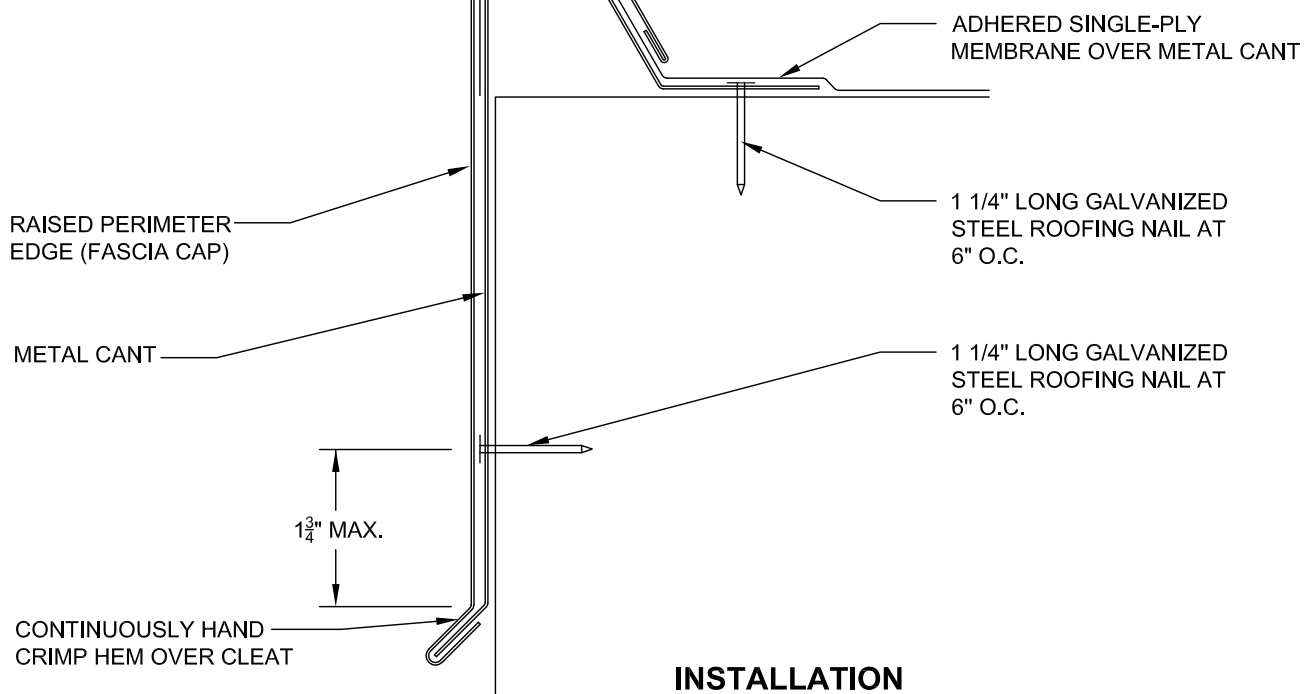
UL-36

2/15/21 REV.
10/30/15





FABRICATION



INSTALLATION

THE NRCA ROOFING MANUAL
CONSTRUCTION DETAIL C-1

NRCA UL ES-1 CERTIFICATION

COPING

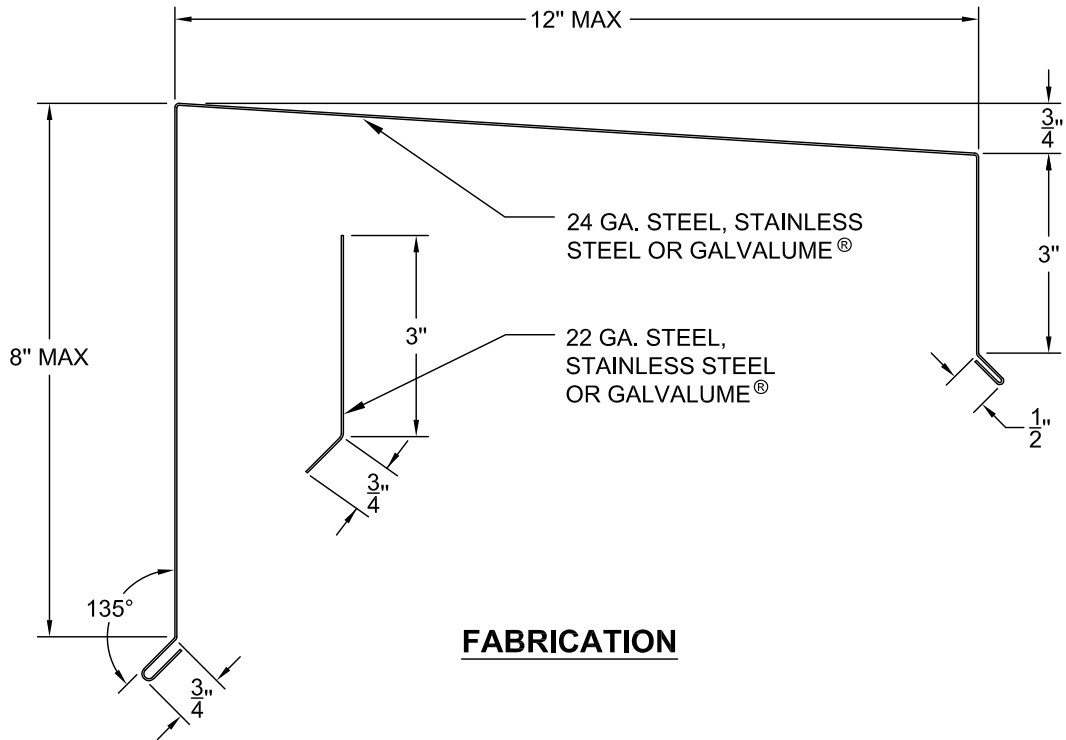
- 24 GA. STEEL
- 24 GA. STAINLESS STEEL
- 24 GA. GALVALUME®

**ANSI/SPRI ES-1
TESTED RESISTANCE**

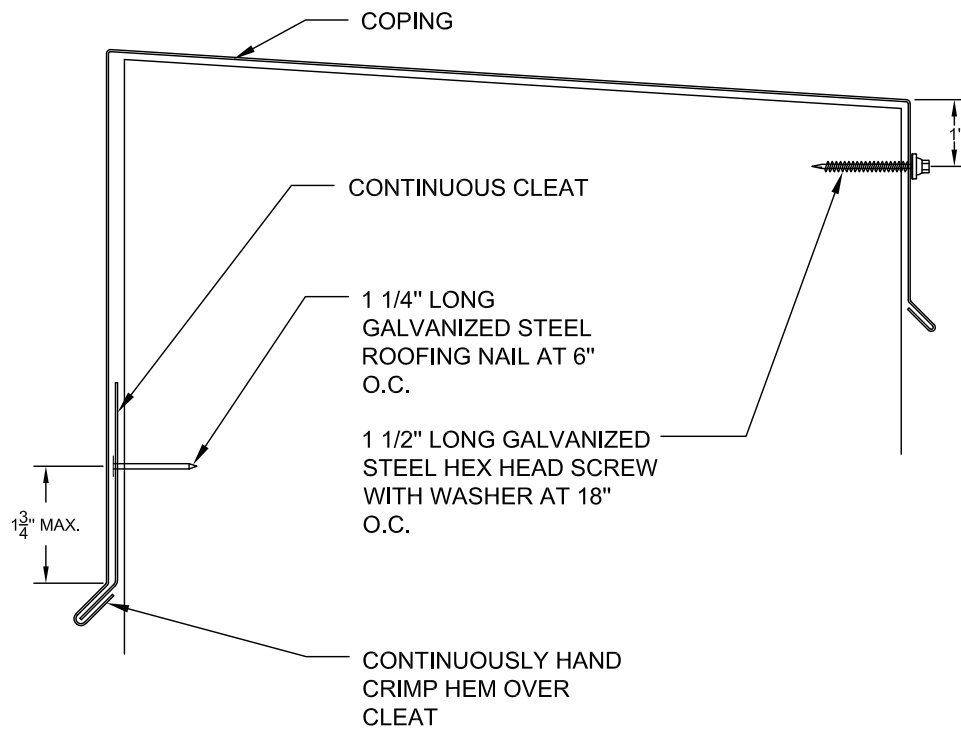
OUTWARD **UPWARD**
104 LBS./SQ. FT. 180 LBS./SQ. FT.

UL-38

2/15/21 REV.
8/31/17



FABRICATION



INSTALLATION

THE NRCA ROOFING MANUAL
CONSTRUCTION DETAIL C-1

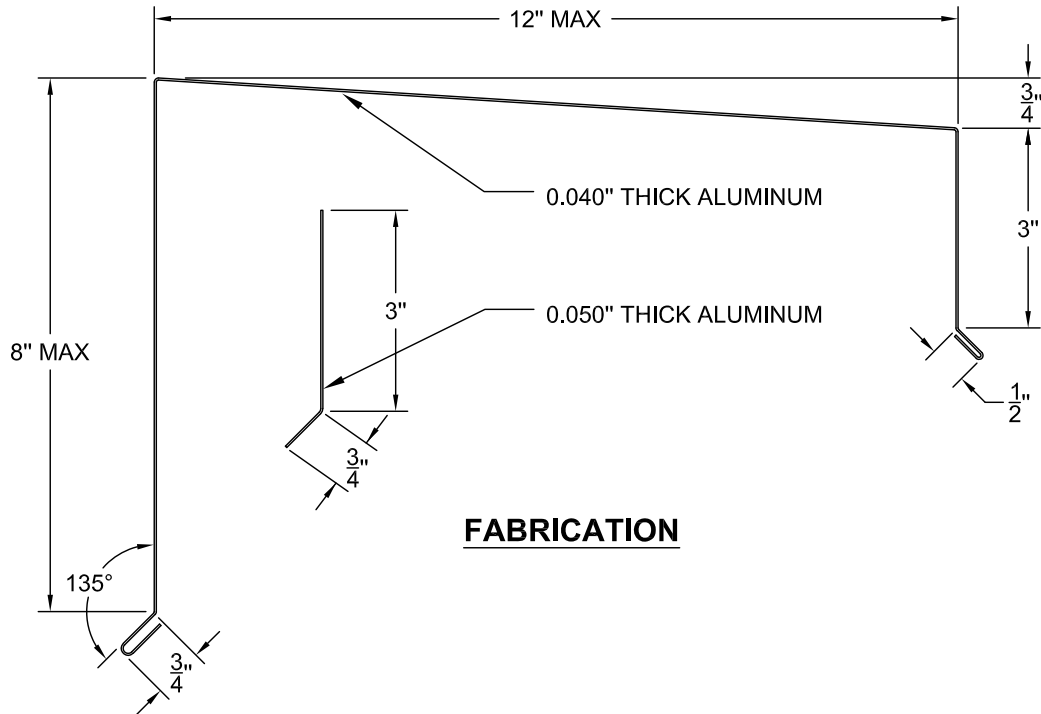
NRCA UL ES-1 CERTIFICATION

COPING
• 0.040" ALUMINUM

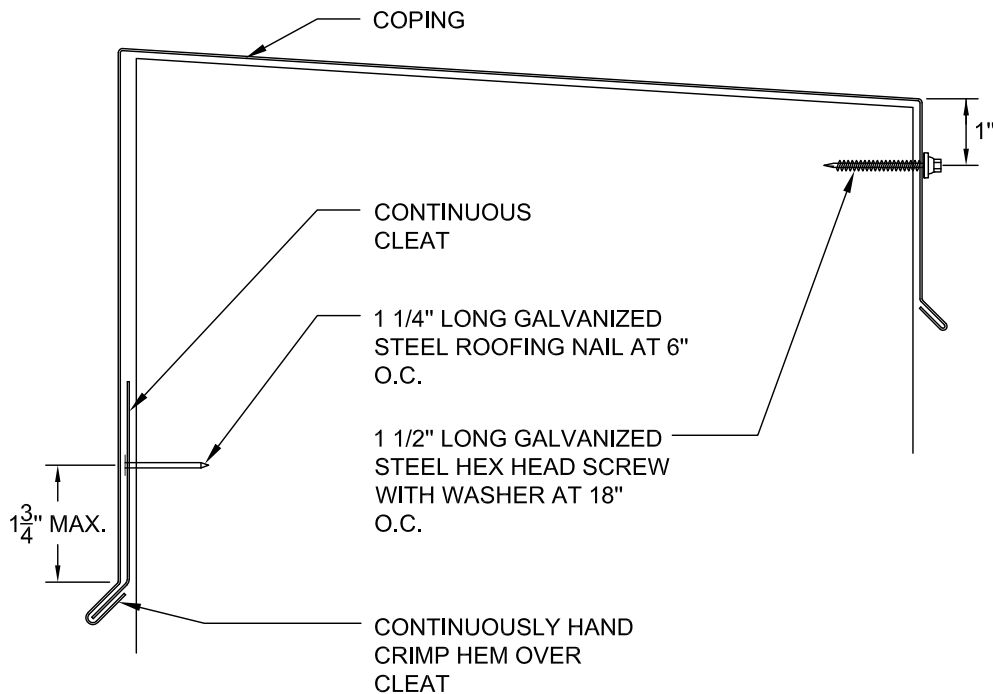
**ANSI/SPRI ES-1
TESTED RESISTANCE**

OUTWARD **UPWARD**
127 LBS./SQ. FT. 220 LBS./SQ. FT.

UL-39
2/15/21 REV.
8/31/17



FABRICATION



INSTALLATION

THE NRCA ROOFING MANUAL

CONSTRUCTION DETAIL C-1

NRCA UL ES-1 CERTIFICATION

COPING

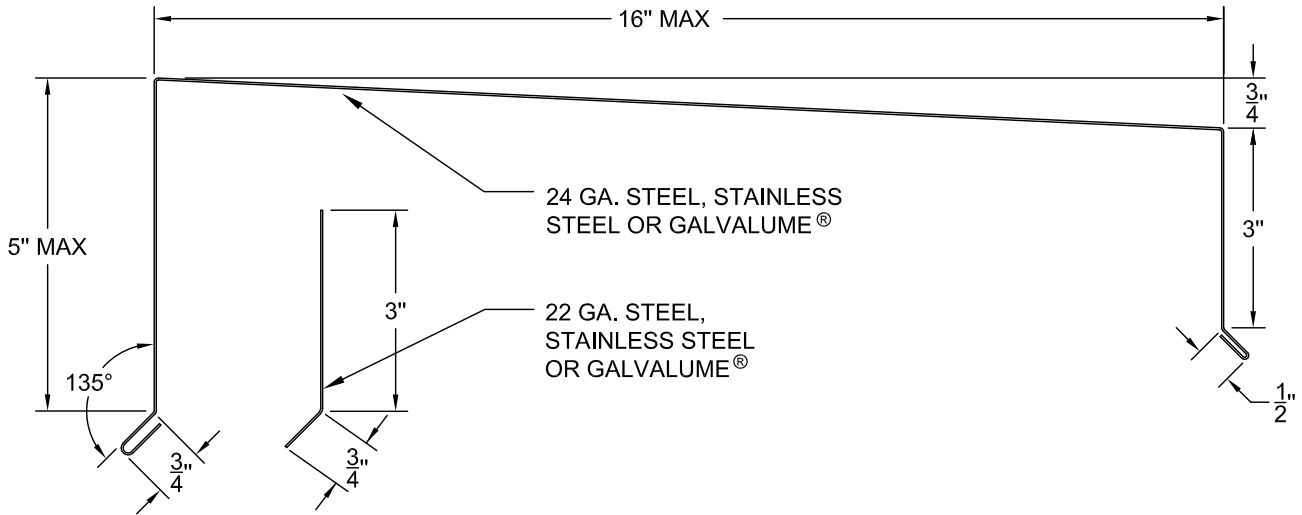
- 24 GA. STEEL
- 24 GA. STAINLESS STEEL
- 24 GA. GALVALUME®

**ANSI/SPRI ES-1
TESTED RESISTANCE**

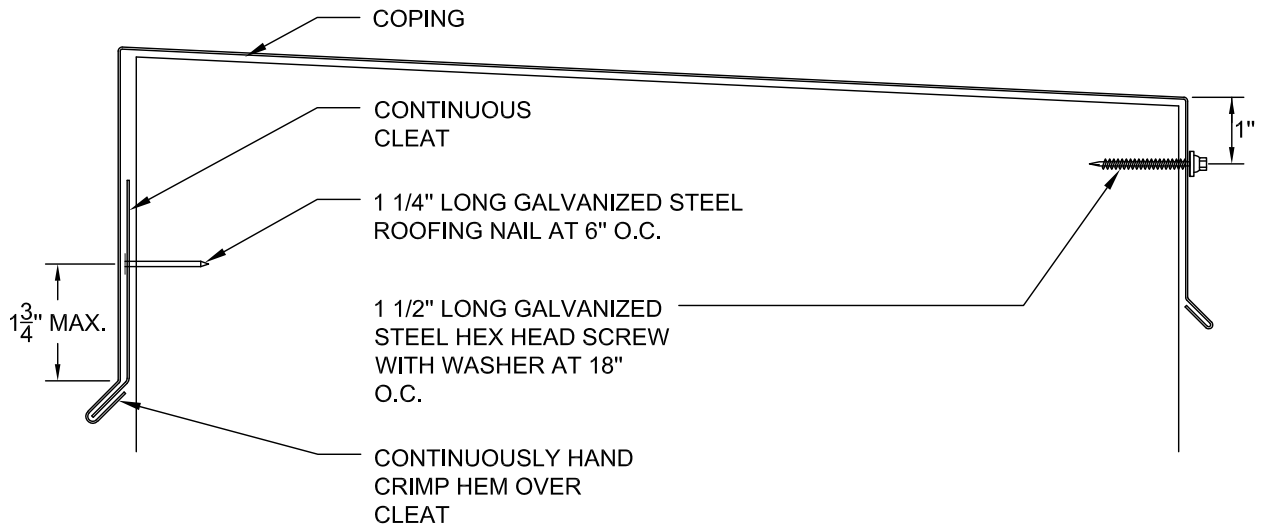
OUTWARD 98 LBS./SQ. FT. **UPWARD** 170 LBS./SQ. FT.

UL-40

2/15/21 REV.
8/31/17



FABRICATION



INSTALLATION

THE NRCA ROOFING MANUAL
CONSTRUCTION DETAIL C-1

NRCA UL ES-1 CERTIFICATION

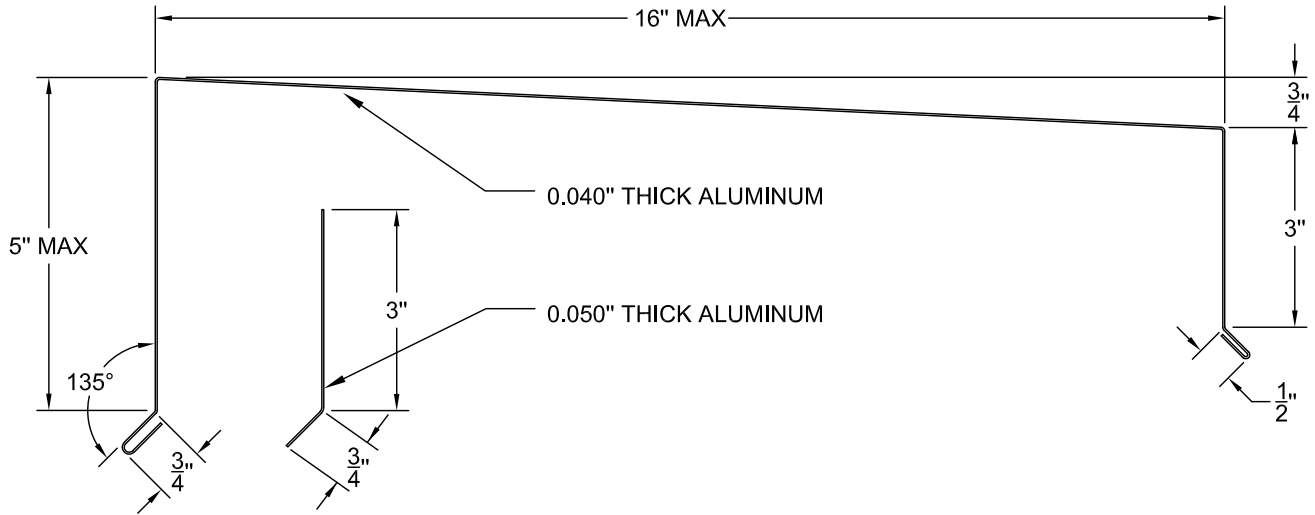
COPING
• 0.040" ALUMINUM

**ANSI/SPRI ES-1
TESTED RESISTANCE**

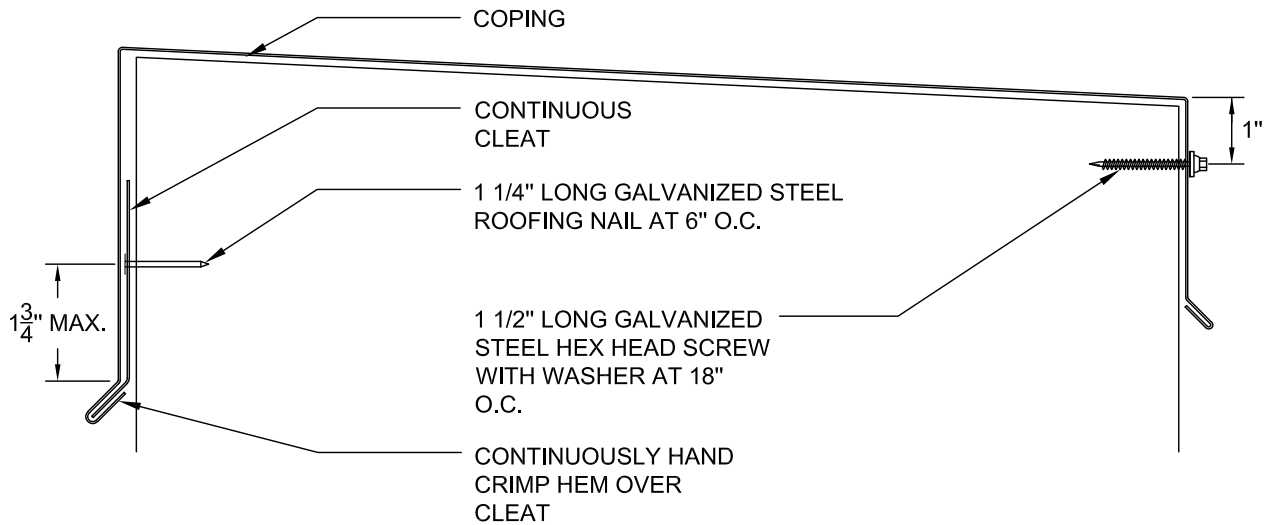
OUTWARD **UPWARD**
144 LBS./SQ. FT. 250 LBS./SQ. FT.

UL-41

2/15/21 REV.
8/31/17



FABRICATION



INSTALLATION

THE NRCA ROOFING MANUAL

SNAP-LOCK FASCIA
• 0.050" ALUMINUM

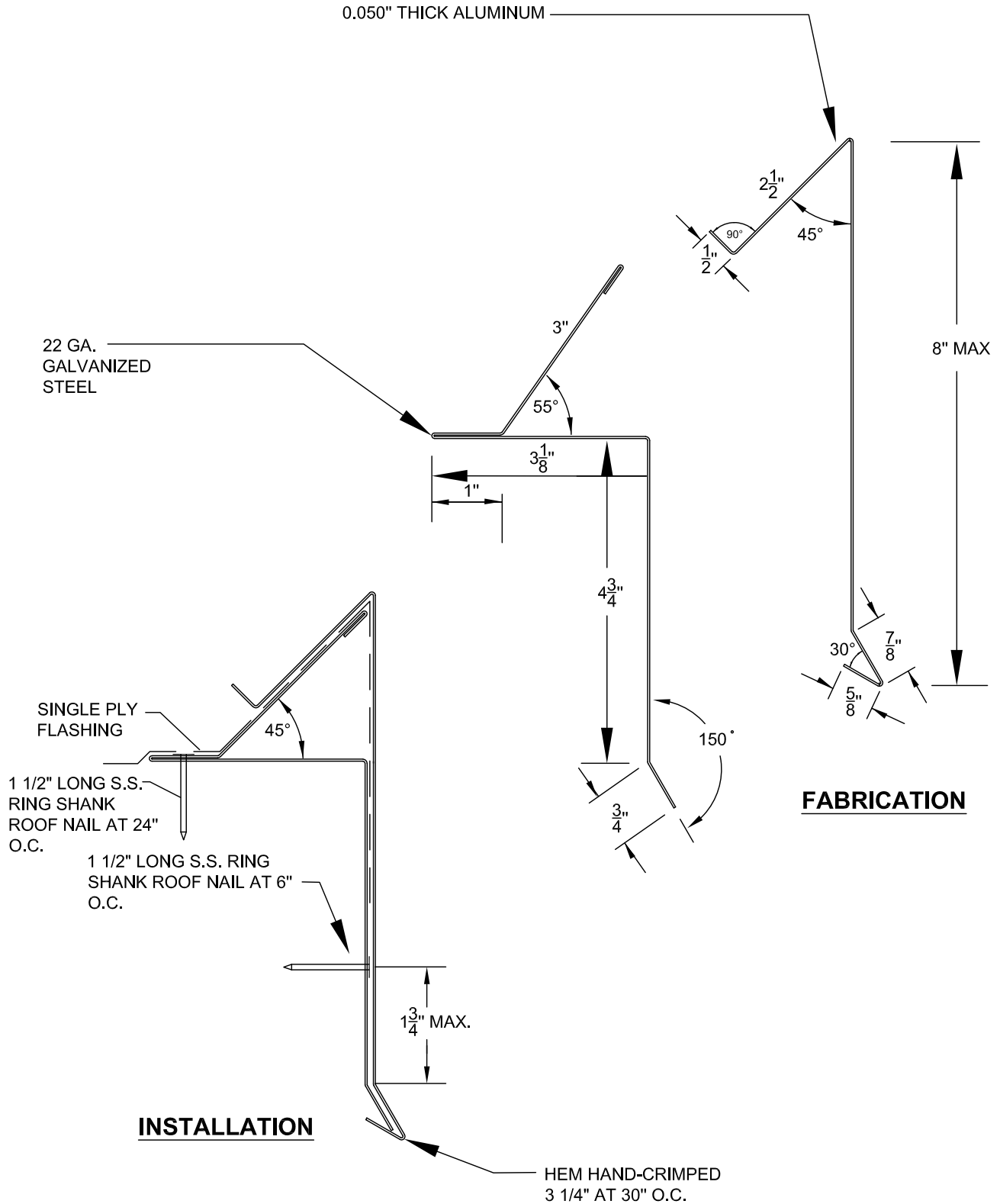
**ANSI/SPRI ES-1
TESTED RESISTANCE**

UL-42

NRCA UL ES-1 CERTIFICATION

130 LBS./SQ. FT.

2/15/21 REV.
5/21/19



THE NRCA ROOFING MANUAL

SNAP-LOCK FASCIA
• 0.063" ALUMINUM

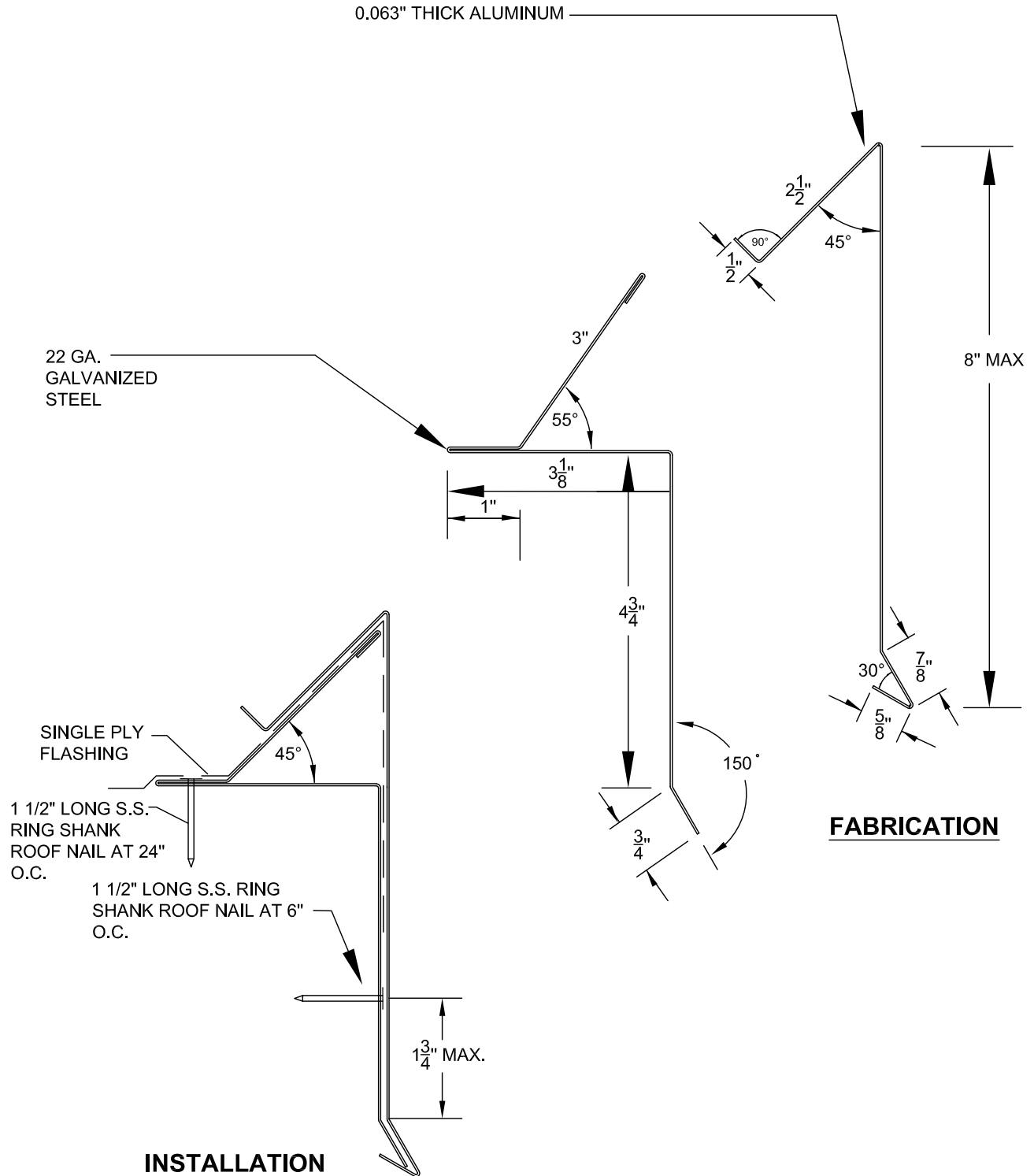
**ANSI/SPRI ES-1
TESTED RESISTANCE**

UL-43

NRCA UL ES-1 CERTIFICATION

130 LBS./SQ. FT.

2/15/21 REV.
5/21/19



24 GA. STEEL, STAINLESS
STEEL OR 24 GA.
GALVALUME®

