

## Installation Instructions for Mincey Marble Manufacturing's Theory Panel System [With Soffit & Extending to the Ceiling]

### PRE-INSTALLATION CHECKLIST AND NOTES MATERIALS / TOOLS NEEDED CHECKLIST STANDARD PANEL INSTALLATION

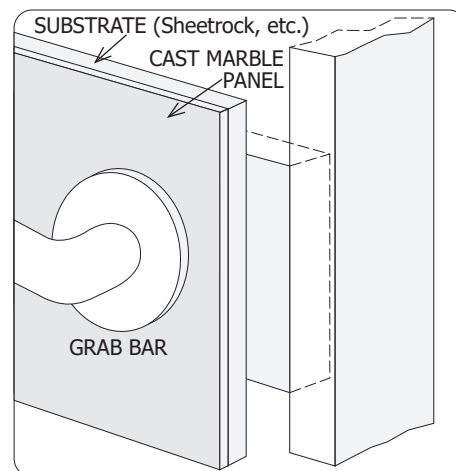
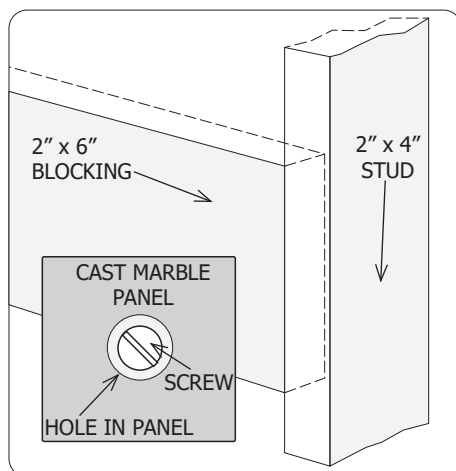
**ATTENTION: Prior to starting the installation, please read through these instructions. This will help avoid any unnecessary breakage. Any breakage due to handling or installing the panels are the responsibility of the installer and is not covered under the Mincey Warranty.**

*These installation instructions apply to the Mincey Theory panel system where the panels extend to the ceiling and there is a Soffit. Each wall is manufactured in one piece. **Drawings Are Not To Scale.***

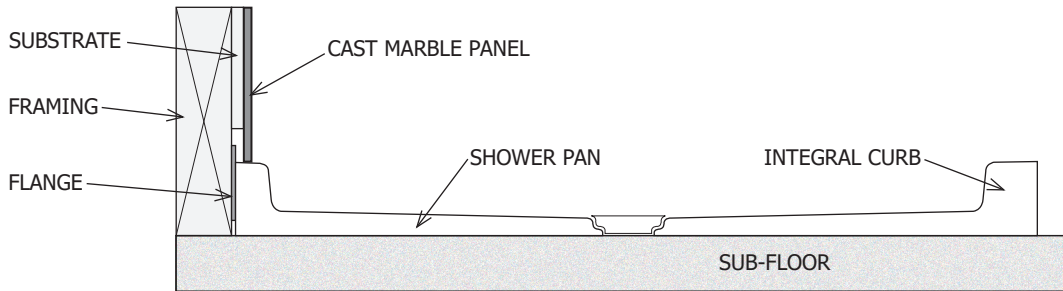
### PRE-INSTALLATION CHECKLIST AND NOTES

Cast Marble panels are more fragile in extremely cold temperatures, and should be handled with care in these conditions. When possible, store all material in a heated area at least 24 hours prior to installation.

If you are installing grab bars, blocking should always be placed in the proper location prior to the wall substrate being installed. We recommend using a 2" x 6" on end. Our panels are not designed to support the tension placed on the bar. Once the Mincey panels are installed, all screw holes must be pre-drilled through the panels large enough so that no screw threading comes in contact with the panel. This will prevent damage to the panel. Apply 100% Silicone in the holes and insert the screws. Tighten all screws carefully, the panels can be cracked or broken if over-tightened.

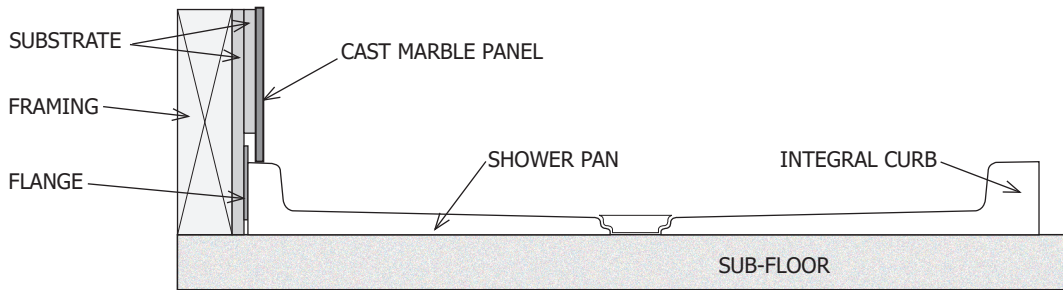


The Shower Pan must be set in place before the Substrate can be installed. (Please see Shower Pan Installation Instructions for installing the Pan.) The Shower Pans have a Leak-proof Flange attached to them. The Wall Substrate must be thick enough so that when the Panels are installed, they are flush with the wall while covering the Flange without bowing out at the bottom. (See diagram below.)



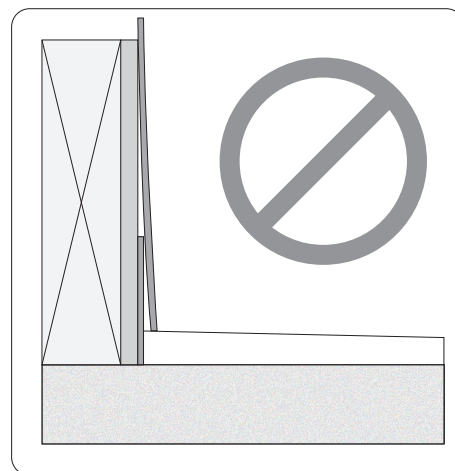
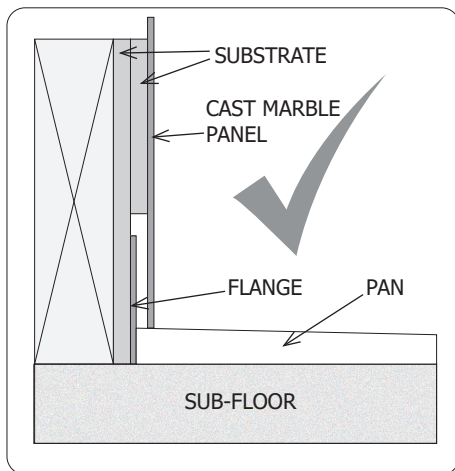
**Standard Substrate Installation**

Fire-rated Substrate installation will require two layers of Substrate be installed. The first layer should be installed before the pan and all the way to the Sub-floor. The second layer should be installed stopping just above the Fiberglass Flange. The second layer of Substrate will allow the Shower Panels to be installed from the surface of the Pan or Tub upward without the Shower Panels bowing out. (See diagram below.)



**Fire-Rated Substrate Installation**

When following Fire-rated requirements, the Substrate must be installed all the way to the Sub-floor. When the Shower Panels are installed, they must extend over the Attached Flange all the way to the Shower Pan floor. If only one piece of Substrate is used, the Shower Panel will bow out at the bottom to cover the Flange. (See diagrams below)



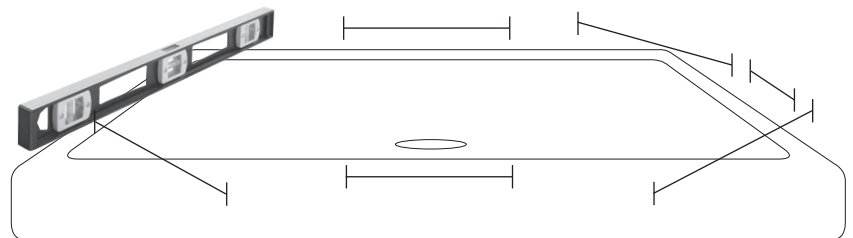
If you have any questions, please call MINCEY MARBLE CUSTOMER SERVICE at 1-800-533-1806.

**ATTENTION: Please follow these Mincey Panel Installation Instructions carefully. As a general rule, you will be required to trim three out of four sides of every panel. To center a pattern on a back wall, it may be required to trim all four sides.**

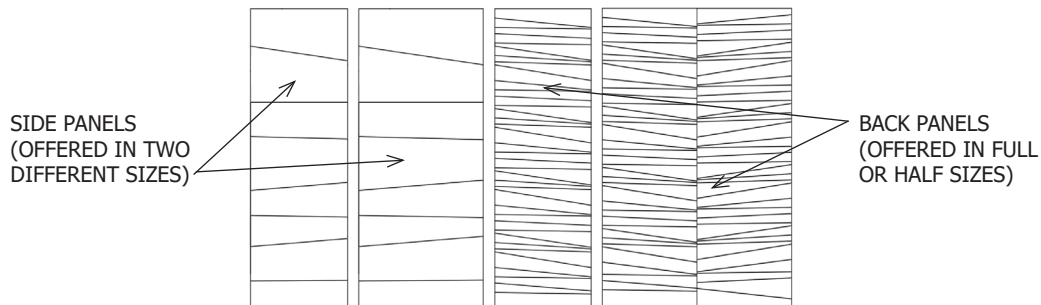
**MATERIALS / TOOLS NEEDED CHECKLIST**

- Circular Saw with a Masonry Blade
- Drill / Various Drill Bits
- Mask - for when cutting panels
- Measuring Tape
- Pencil - for marking measurements on front of panels for cutting and installing, the pencil marks can be removed by Acetone once installed
- Hole Saw - for drilling plumbing fixtures (Diamond Hole Saw is recommended, 1 1/4" and 4" are the most common, however, sizes will vary according to the specific job requirements)
- Saw Horses
- 2" x 4"s to place over saw horses to support panels when cutting
- 4' Level
- 80 Grit Sandpaper - for sanding a light bevel edge on cut edges to eliminate chipping the finish upon install
- Acetone for cleanup of markings and general panel cleanup
- Dry, Clean Rags
- Commercial Quality Hot Glue Gun, (200 watts or greater)
- Commercial Quality 15" Glue Sticks
- Construction Adhesive or Cast Marble Adhesive for applying panels to the Substrate (Sheetrock, etc.)
- 100% Silicone - for all panel to panel, panel to tub and panel to pan seams, also applying panel to existing tile
- Latex Caulking - for all ends where the panel is caulking to the sheetrock or the ceiling

First, make sure the Shower Pan is level from front to back, side to side and diagonally. The maximum tolerance is +/- 1/4". If the Pan is over 1/4" out or level in any direction, you should notify the customer before moving forward with the installation.



**NOTE: The THEORY PANEL SYSTEM is not designed for the Grout Lines to line up. The Back Panels and the Side Panels have different designs.**

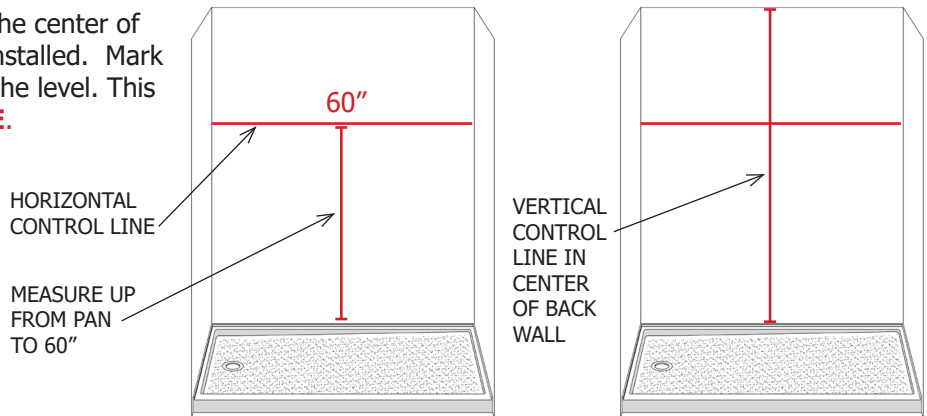


If you have any questions, please call MINCEY MARBLE CUSTOMER SERVICE at 1-800-533-1806.

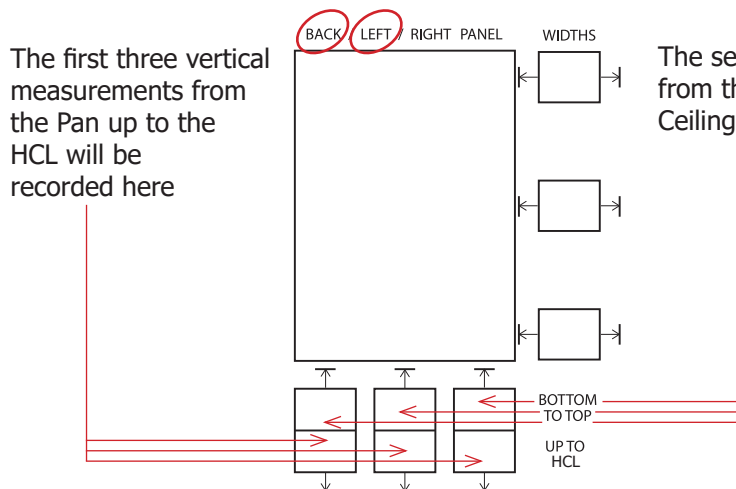
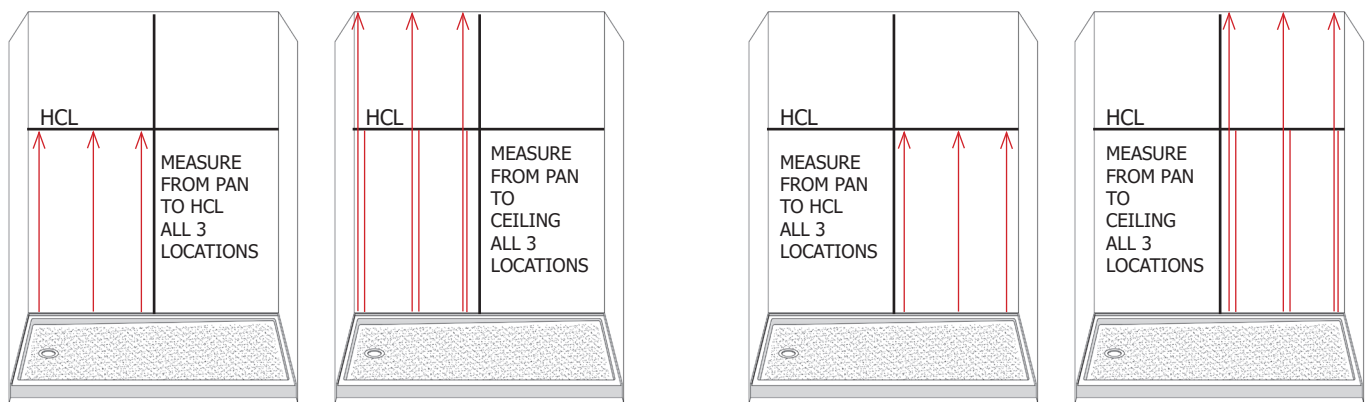
To begin with, you will want to establish a **HORIZONTAL CONTROL LINE** and **VERTICAL CONTROL LINE**. These **CONTROL LINES** will be used throughout the installation process to make sure your panels will fit as designed. Because of the Soffit, the Back Wall will require two panels seamed in the middle.

Measure up to **60"** on the back wall in the center of the wall where the back panels will be installed. Mark a pencil line across the back wall using the level. This is your **HORIZONTAL CONTROL LINE**.

Measure on the back wall to locate the **CENTER** of the wall where the back panels will be installed. Mark a pencil line up the back wall using the level. This is your **VERTICAL CONTROL LINE**.



Now that you have your **HORIZONTAL CONTROL LINE** and **VERTICAL CONTROL LINE** established, you will be taking measurements to determine the dimensions in which to cut the **BACK PANELS**. Start by measuring for the **LEFT BACK PANEL** from the Pan to the HCL in Left, Center and Right locations. Then, measure from the Pan all the way to the ceiling in the same three locations. After the **BACK LEFT PANEL** measurements are recorded on the Panel Trimming Guide, do the same for the **BACK RIGHT PANEL**.

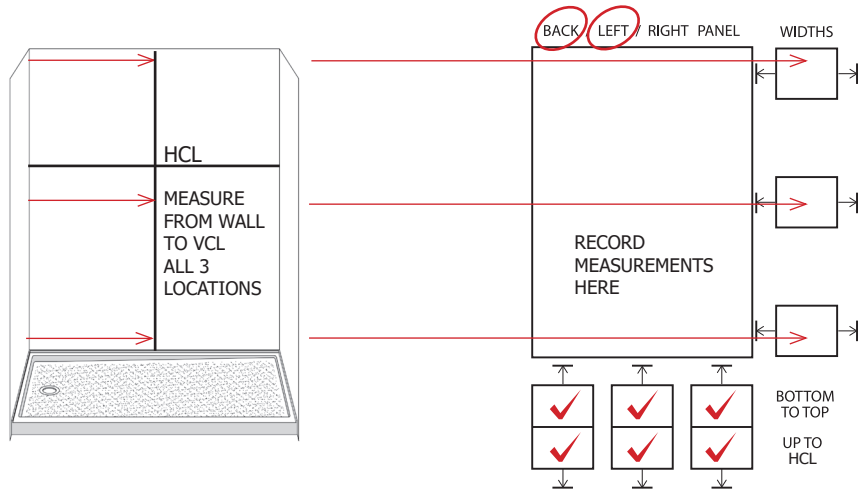


**Panel Trimming Guide**

Located on the last page of these instructions

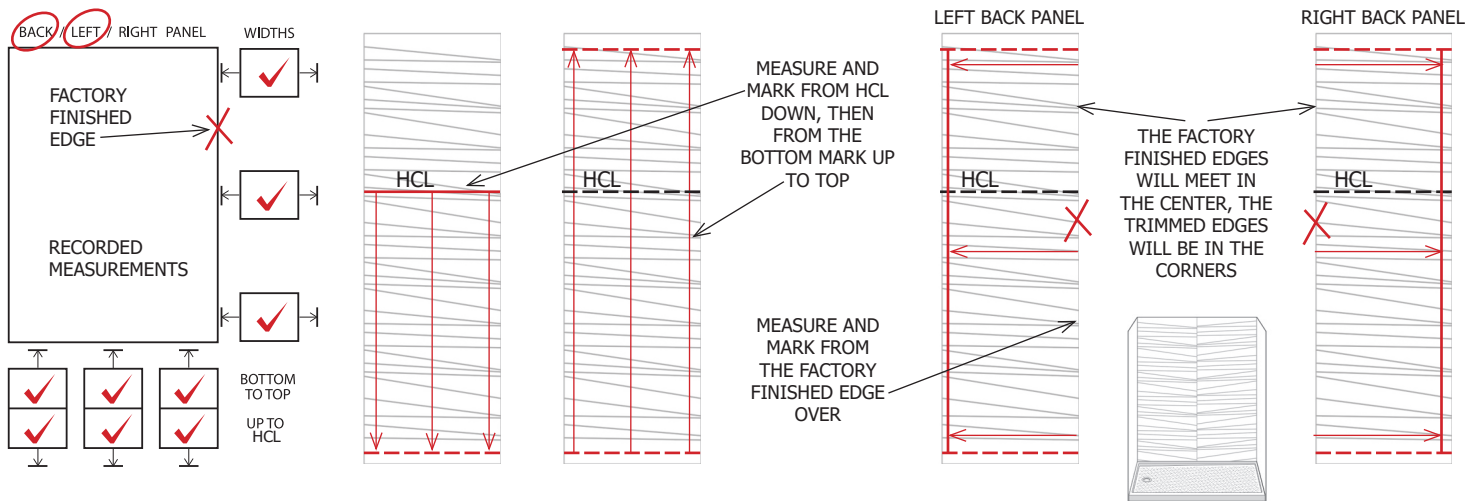
As you take your measurements, use the **Panel Trimming Guide** located on the last page of these instructions. This will help you transfer your measurements to the panels when you trim them. Simply, follow the instructions and fill out the fields in the guide for accurate and proper order for trimming and installation.

To begin measuring and trimming the two BACK PANELS, measure from the Left Wall to the VCL in the Top, Center and Bottom locations. Record the measurements of the LEFT BACK PANEL on the Panel Trimming Guide. Repeat the process for the RIGHT BACK PANELS. You are now ready to trim the two BACK PANELS.



To trim the LEFT BACK PANEL, mark a line at **60 1/2"** up from the bottom of the back panel. This will allow for some room for precise trimming, and this will be the HCL on the LEFT BACK PANEL. Measure from this HCL toward the bottom of the panel. Mark the panel with the **UP TO HCL** measurements in the Left, Center and Right vertical positions and connect with a pencil line. Measure up from this pencil line to mark the **BOTTOM TO TOP** measurement in all three locations and connect them with a pencil line.

Then, measure from the **FACTORY FINISHED EDGE** of the LEFT BACK PANEL to establish the Top, Center and Bottom horizontal measurements, connecting them with a pencil line. Do the same for the RIGHT BACK PANEL. You will want to trim only one side. The **FACTORY FINISHED EDGES** will seam together in the middle of the Back Wall. **You will need to run a bead of 100% Silicone on the Seam of the two Panels.**

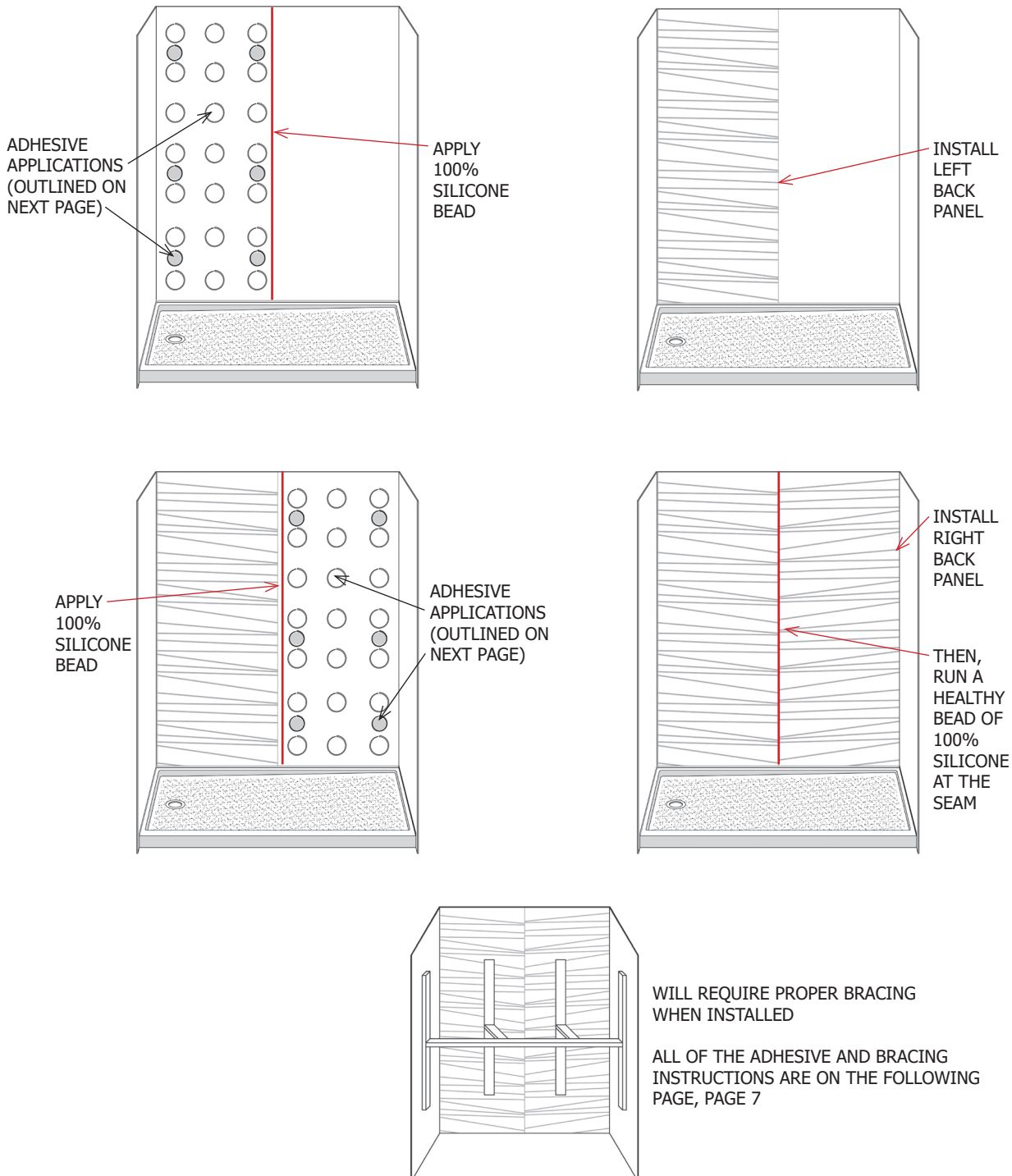


You are now ready to trim the Back Panels. Place a Panel on top of the 2" x 4"s on the Saw Horses. Trim with the Circular Saw using the Masonry Blade. If you are trimming more than 1/2" of material, make sure to support the material being trimmed off to avoid the material breaking off before completing the cut. If the piece being trimmed breaks off, it could damage the panel and render the panel useless.

**After you have trimmed the panel, thoroughly sand all cut edges with 80 grit sandpaper, especially the bottom.** Whenever possible, dry fit the panel to make sure it is a proper fit before applying adhesive to the wall. Once the fit is confirmed, wipe down the wall with Acetone to clean and prepare the wall. Then, wipe off the pencil marks on the front of the Panel with Acetone. Next, wipe off the back, unfinished side of the Panel with Acetone to clean it of dust and debris.

**There are two basic methods of applying adhesive and adhering the Panels to the Wall. On the following page, page 7, those two different methods are explained. Before those are explained, it is important to note that three 100% Silicone Beads will need to be applied in three important areas before the Panels are installed.** They are described below.

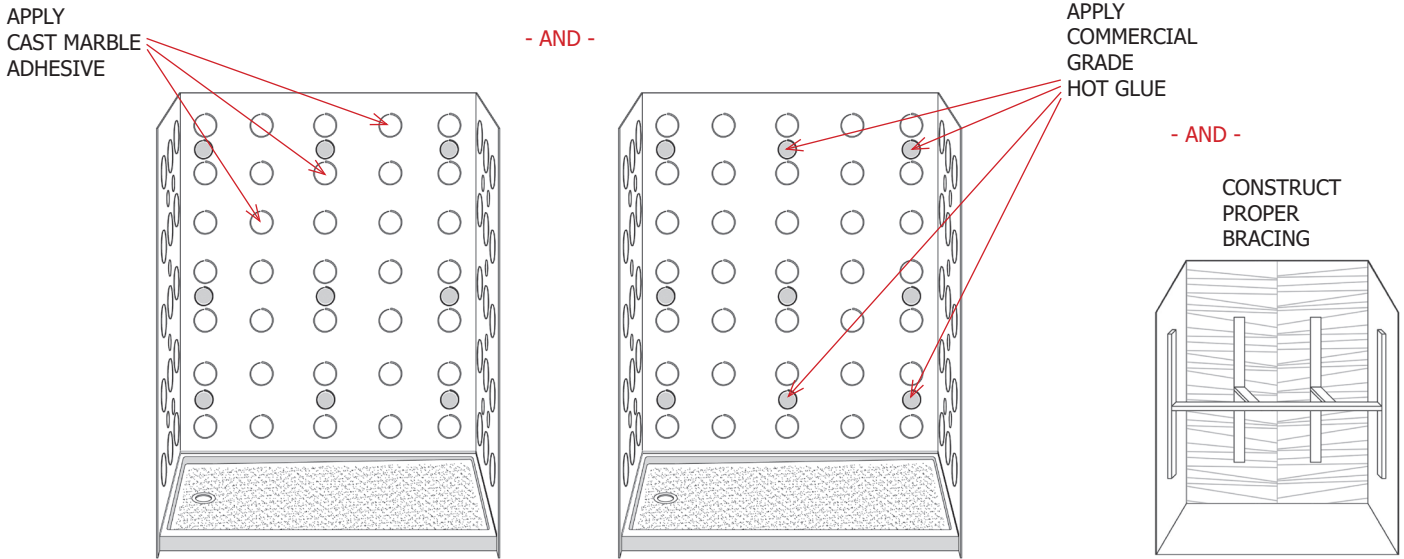
Before you install the Back Panels, run a bead of 100% SILICONE on the Inside Edge of where the first Back Panel is to be installed. The edge of the Panel will cover this bead when installed. In this example, the Left Back Panel will be first to be installed. Follow the same instructions for the Right Back Panel. When both Back Panels are installed, run a bead of 100% SILICONE down the entire seam between them.



If you have any questions, please call MINCEY MARBLE CUSTOMER SERVICE at 1-800-533-1806.

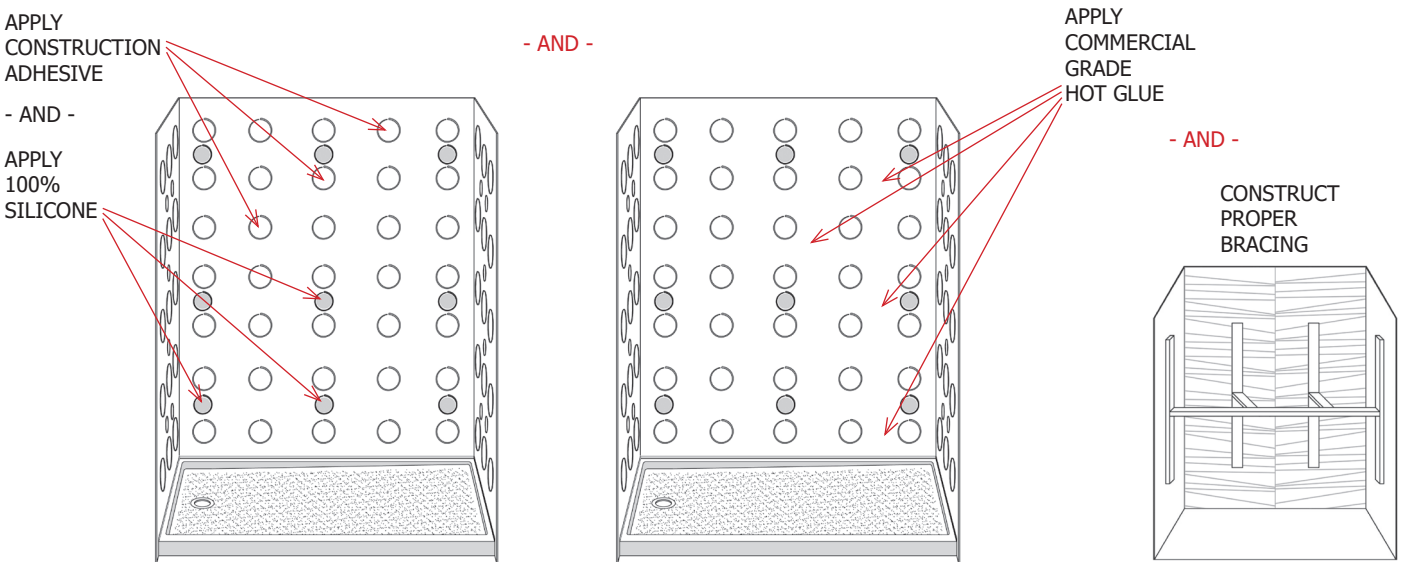
There are two basic methods of applying adhesive and adhering the Panels to the Wall.

**METHOD 1:** The first one includes using Cast Marble Adhesive, Commercial Grade Hot Glue and Proper Bracing to hold the Panel in place until the adhesive has had time to set up.



Apply generous amounts of adhesive. An entire tube of adhesive should be used for the back panels alone, and 1/2 tube for each side panel.

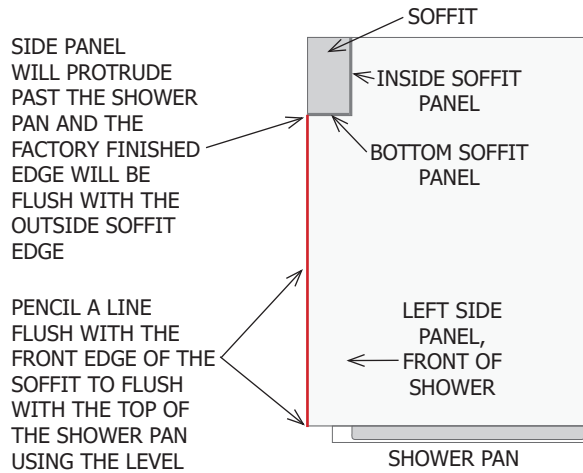
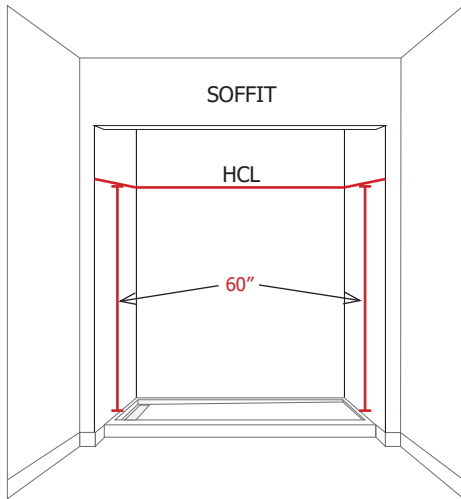
**METHOD 2:** The second one includes Construction Adhesive and 100% Silicone combined, Commercial Grade Hot Glue and Proper Bracing to hold the Panel in place until the adhesive has had time to set up.



If using a Commercial Grade Hot Glue Gun, (200 watts or greater), the Hot Glue will set up immediately, allowing you to hold the Panel in place for a couple of minutes and the Panel will stay put. The Hot Glue is only in place to help hold the panel in place until the adhesive has time to set up. You can then construct the proper bracing to allow the adhesive to set up, usually 24 hours. Again, apply generous amounts of adhesive. An entire tube of adhesive should be used for the back panels alone, and 1/2 tube for each side panel. Also keep in mind, more bracing may be necessary depending on the walls and site conditions. The drawing is for illustrative purposes only.

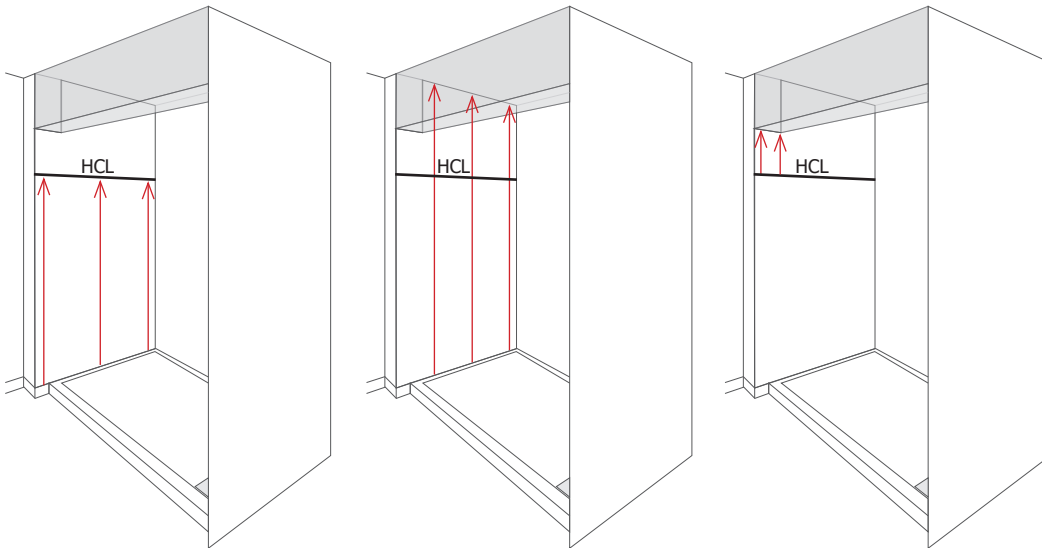
**You will need to apply a healthy bead of 100% Silicone on the Factory Finished Edges Seam between the two Back Panels to provide water sealing.**

To begin installing the SIDE PANELS, first transfer the HORIZONTAL CONTROL LINE to the Side Walls. The Side Panels will protrude from the Shower Pan and the FACTORY FINISHED EDGE of the Side Panels will line up flush with the Outside Edge of the SOFFIT. There will be two, small, Traditional Panels (with no patterns), that will be installed and will cover the INSIDE and BOTTOM of the SOFFIT.

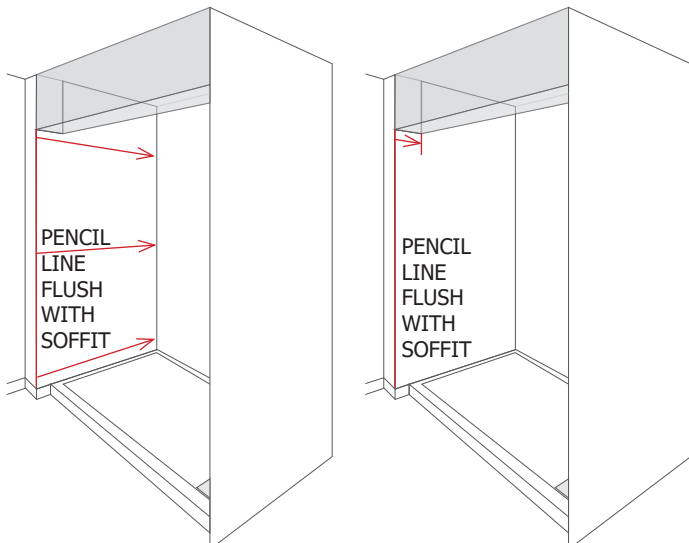


SIDE PANEL WILL PROTRUDE PAST THE SHOWER PAN AND THE FACTORY FINISHED EDGE WILL BE FLUSH WITH THE OUTSIDE SOFFIT EDGE

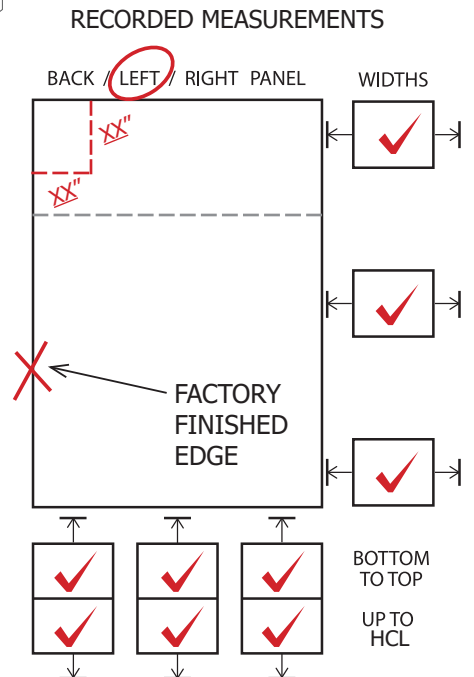
PENCIL A LINE FLUSH WITH THE FRONT EDGE OF THE SOFFIT TO FLUSH WITH THE TOP OF THE SHOWER PAN USING THE LEVEL



Measure from the top of the Shower Pan up to the Horizontal Control Line in all three locations. Measure from the Shower Pan up to the ceiling. Add the measurement from the HCL up to the Soffit. Make a special note when recording the measurements on the Panel Trimming Guide.



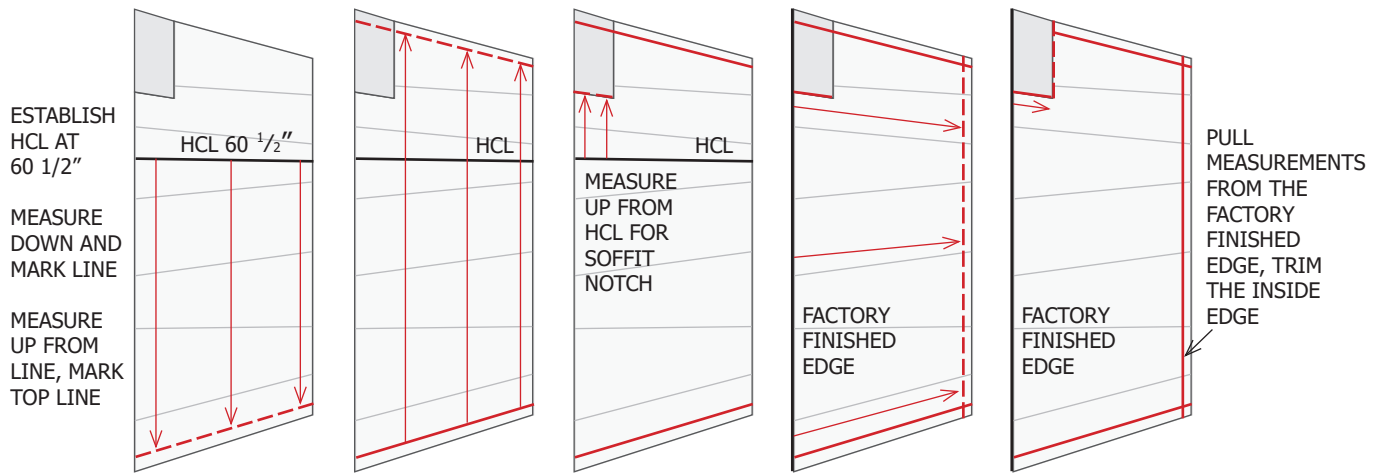
Measure from the line flush with the Soffit to the Back Wall in all three locations. Measure to the inside edge of the Soffit for the notch. Record with special notes.





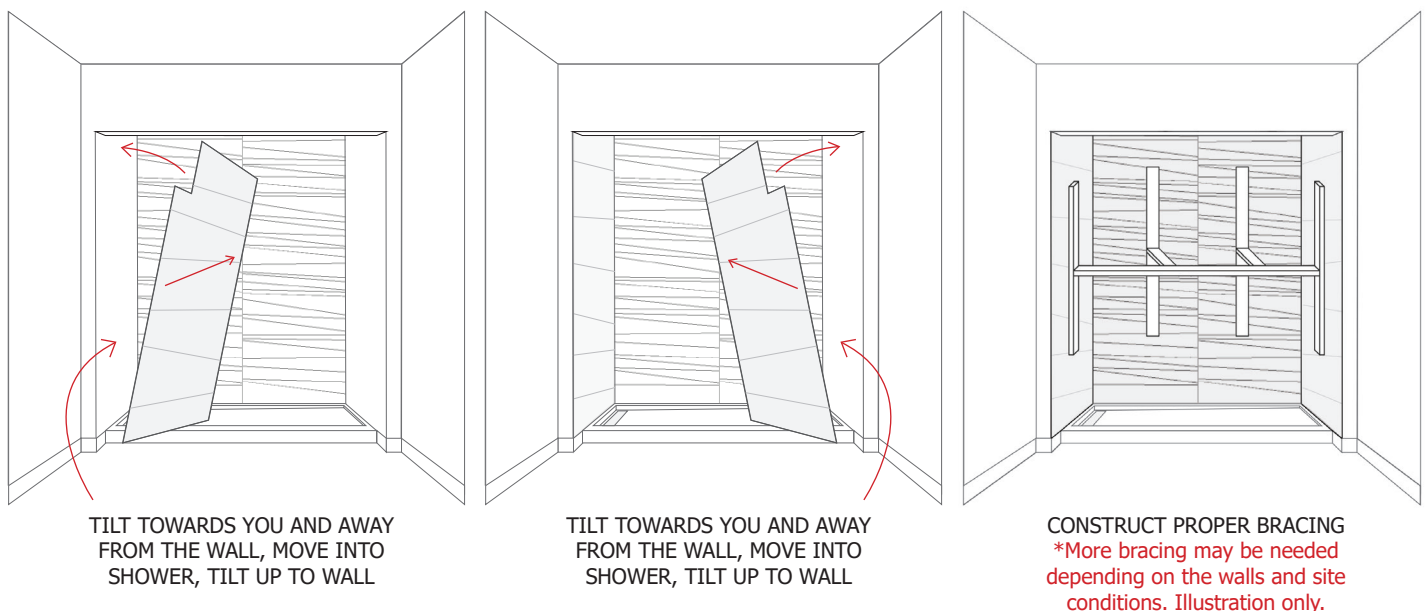
You are now ready to Transfer the measurements and to Trim the LEFT SIDE PANEL. First, mark a line at **60 1/2"** up from the bottom of the panel. This will allow for some room for precise trimming, and this will be the HCL on the LEFT SIDE PANEL. Measure from this HCL toward the bottom of the panel. Mark the panel with the **UP TO HCL** measurements in the Left, Center and Right vertical positions and connect with a pencil line. Measure up from this pencil line to mark the **BOTTOM TO TOP** measurement in all three locations and connect them with a pencil line.

Then, measure from the **FACTORY FINISHED EDGE** of the LEFT SIDE PANEL to establish the Top, Center and Bottom horizontal measurements, connecting them with a pencil line. Measure and mark the **SOFFIT NOTCH** measurement. You will want to trim the Top, Bottom and Inside edges of the panel. The **FACTORY FINISHED EDGE** will remain untrimmed.



Follow the same instructions for measuring and trimming for the RIGHT SIDE PANEL. Test fit both panels to make sure they will fit. Trim to fit if necessary. When ready, apply all of the adhesives following the same directions as before on the BACK PANELS.

**You will need to cut holes for the Shower Fixtures according to the site plans before installing the panels.** Install the SIDE PANELS by tilting them towards you away from the target wall, slide the panel inward and tilt up into place. Construct proper bracing like before. With the Side Panels in place, you are now ready to Measure and Trim the INSIDE and BOTTOM SOFFIT PANELS.



If you have any questions, please call MINCEY MARBLE CUSTOMER SERVICE at 1-800-533-1806.

You are now ready to Measure and Trim the two Soffit Panels. You will install the **BOTTOM SOFFIT PANEL** first. **The Factory Finished Edge will face outward from the shower.** Measure the Length at the Two Edge locations. Measure the Width in the Left, Center and Right locations and Trim. **The Bottom Soffit Panel edge inside the shower should be flush with the Soffit edge when installed.** Trim and sand the panel, follow appropriate adhesive instructions, install and brace.

The **INSIDE SOFFIT PANEL** will install last. Measure the Length at the Two Edge locations. Measure the Width in the Left, Center and Right locations and Trim.

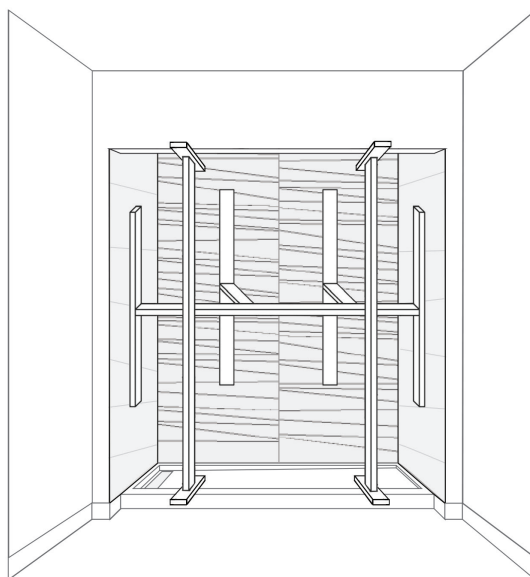
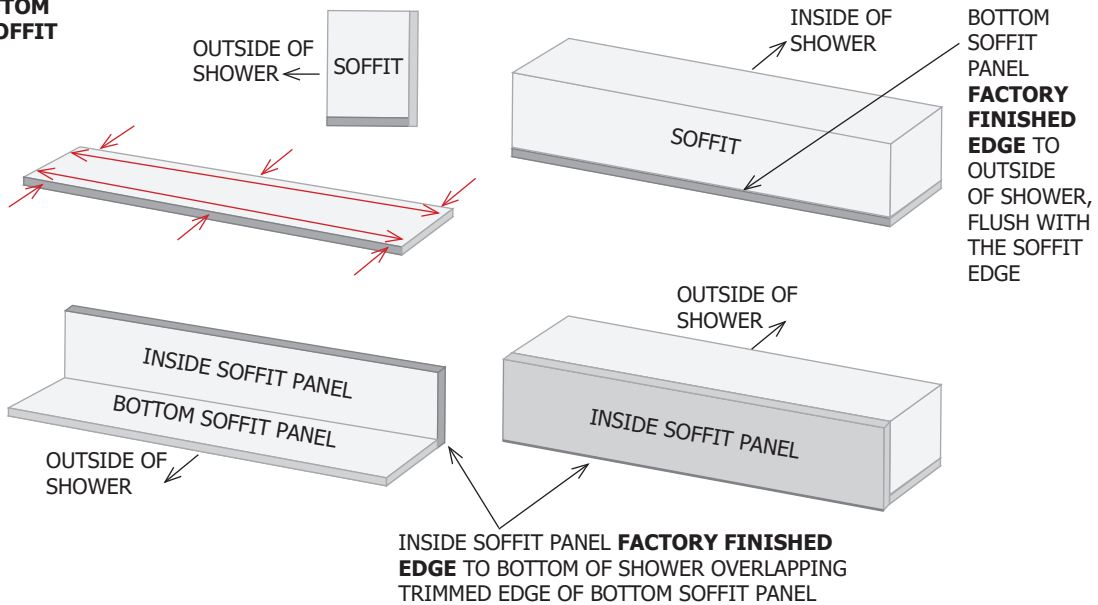
**The Factory Finished Edge will face downward and will overlap and cover the trimmed edge of the Bottom Soffit Panel. It is important that when installing the Inside Panel that it and its Bottom Edge are properly braced to keep it from sliding downward.**

**FOR BOTH BOTTOM AND INSIDE SOFFIT PANELS:**

MEASURE LENGTH AT TWO EDGE LOCATIONS,

MEASURE WIDTH AT LEFT, CENTER AND RIGHT LOCATIONS

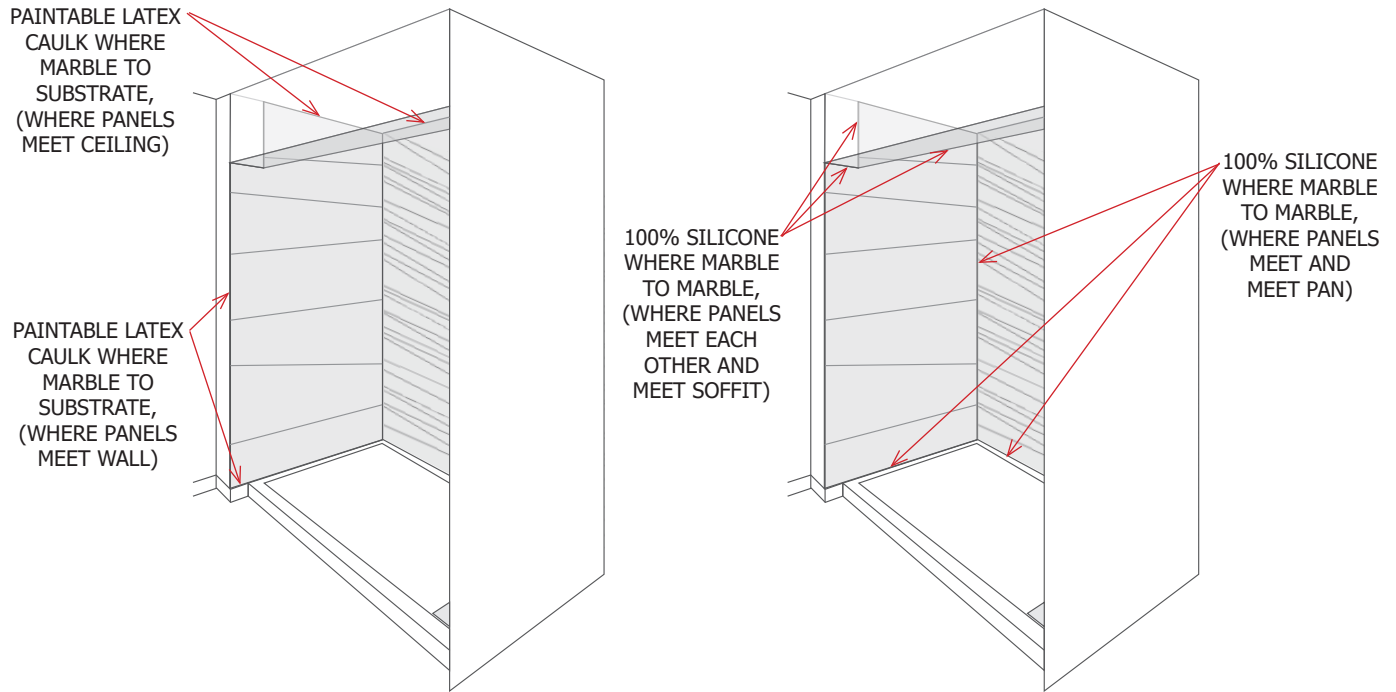
TRIM, SAND AND INSTALL



CONSTRUCT PROPER BRACING, MAKE SURE THE BOTTOM EDGE OF THE INSIDE SOFFIT PANEL IS BRACED WELL  
*\*More bracing may be needed depending on the walls and site conditions. Illustration only.*

If you have any questions, please call MINCEY MARBLE CUSTOMER SERVICE at 1-800-533-1806.

After the adhesive has had time to dry, usually 24 hours, carefully remove the bracing. You are now ready to caulk all of the joints. Use 100% Silicone where Marble meets Marble. Where Marble meets Substrate (Sheetrock, etc.) use Paintable Latex Caulk.



Be sure to apply 100% Silicone to the joint where the Inside Soffit Panel and the Bottom Soffit Panel meet. The top of the Inside Soffit Panel will meet with the Substrate requiring Paintable Latex Caulk instead.

You are now ready to install any Accessories. To install Soap Dishes, Shampoo Shelves and Foot Rests, whether Cast Marble, Ceramic or Chrome Plated Metal, please refer to the appropriate Accessory Installation Instructions for that product.

THANK YOU FOR PURCHASING AND USING OUR MINCEY MARBLE PRODUCTS! WE VALUE YOUR BUSINESS!

If you have any questions, please call MINCEY MARBLE CUSTOMER SERVICE at 1-800-533-1806.

