



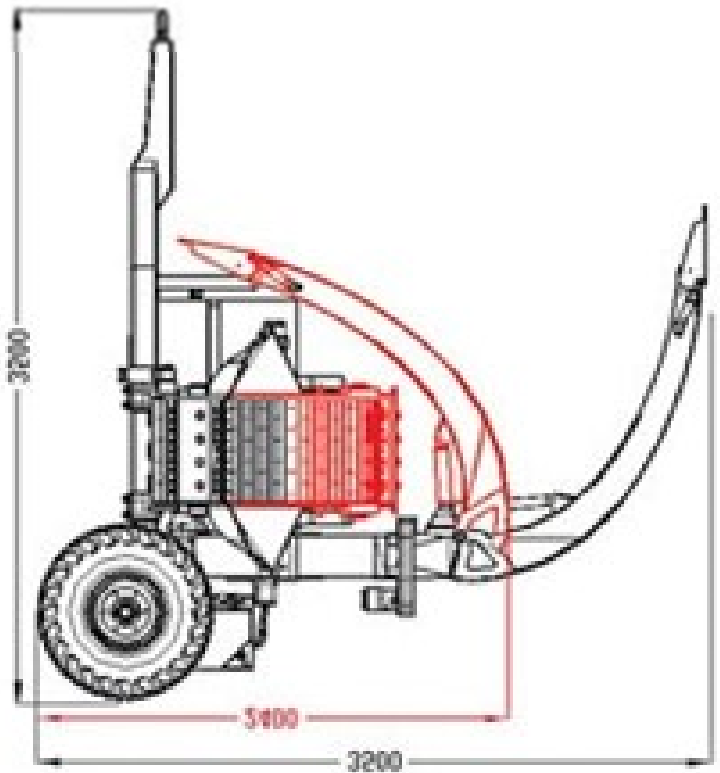
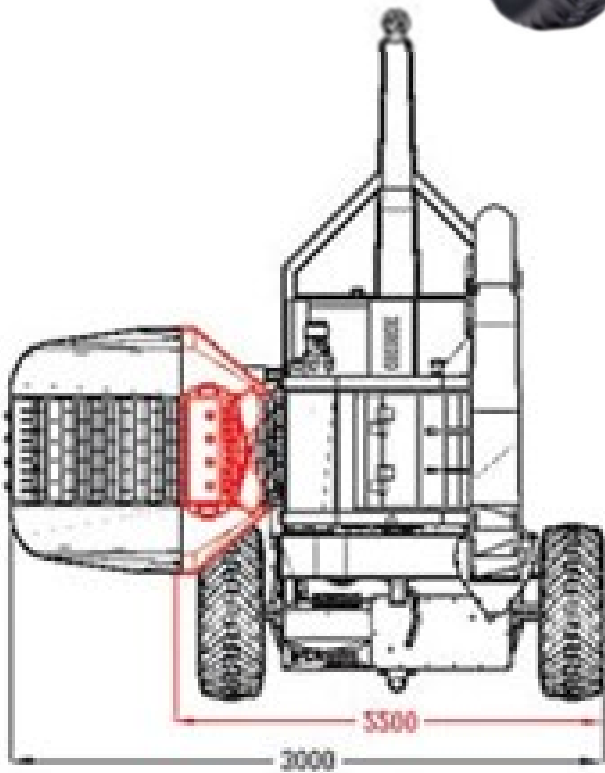
SM5025T

### SM5025T TECHNICAL SPECS

|                             |  |
|-----------------------------|--|
| <b>Max. Diameter of Log</b> | Ø250 mm  |
| <b>Feed Table Width</b>     | 520 mm   |
| <b>Feed Table Length</b>    | 1500 mm  |
| <b>Bunker Neck Entrance</b> | 300 x 560mm                                      |
| <b>Drum Diameter</b>        | Ø540 mm  |
| <b>Drum Length</b>          | 500 mm   |
| <b>Fixed Blade</b>          | 1 piece  |
| <b>Rotating Blades</b>      | 6 pieces   |
| <b>Speed range</b>          | 700-900 rpm                                      |
| <b>Chute Rotation Angle</b> | 270 °  |
| <b>Weight</b>               | 3500 kg  |
| <b>Drive System</b>         | Intermittent system with hydraulic speed control |
| <b>Min Motor Power</b>      | 100 Hp   |
| <b>Operating Voltage</b>    | 380V   |



SM5025T



**Agrotech**  
**Automation** **1300 284 268**  
**[www.agro-tech.com.au](http://www.agro-tech.com.au)**