

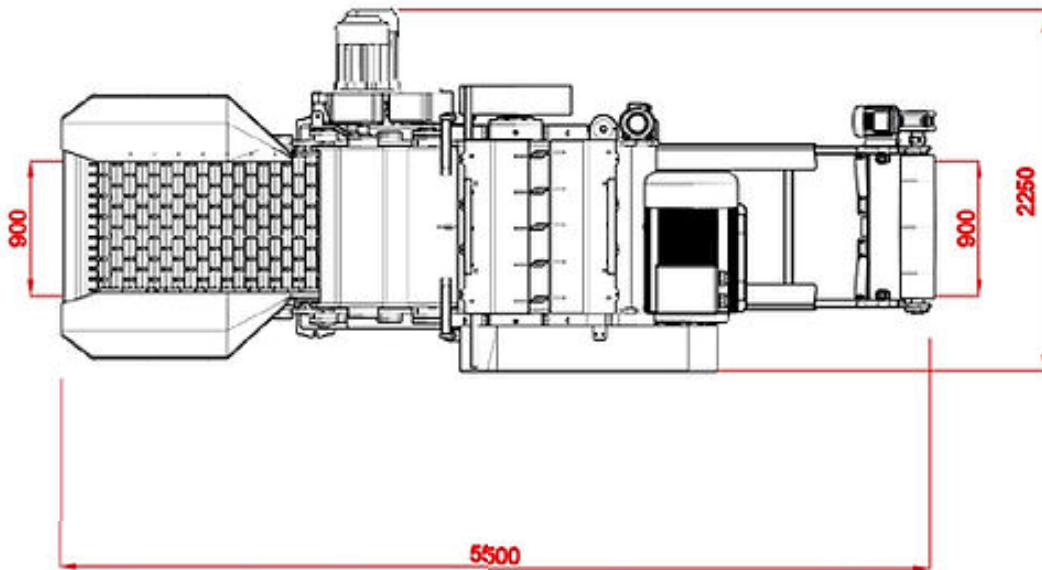
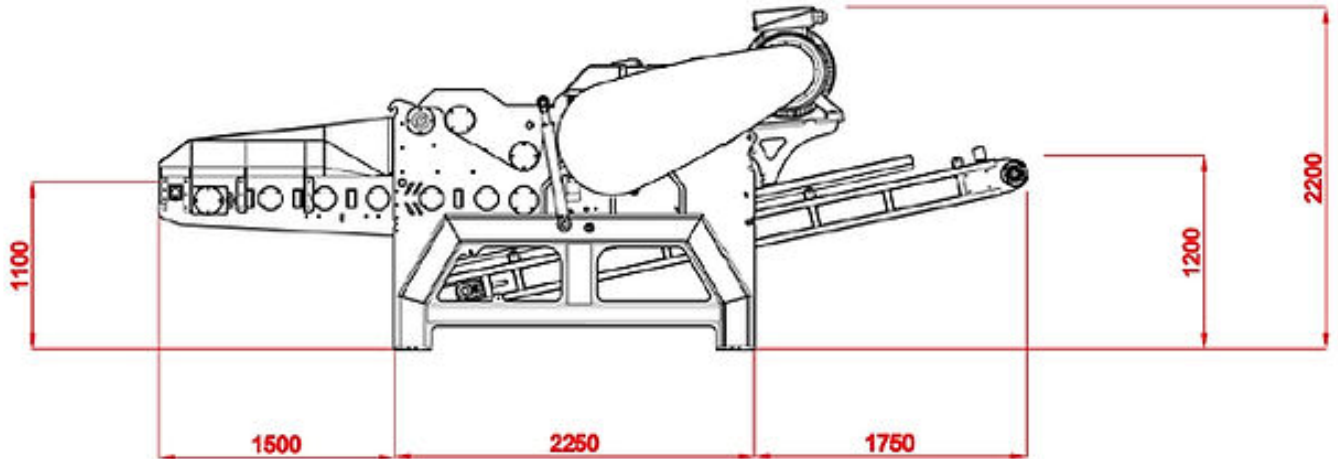


SM9025B

SM9025B TECHNICAL SPECS

Max. Diameter of Log	Ø250 mm
Steel Conveyor Width	900mm
Steel Conveyor Length	2000mm
Bunker Inlet	400 x 900mm
Drum Diameter	Ø660 mm
Drum Length	975mm
Fixed Blade	1 piece
Rotating Blades	12 pieces
Capacity	10ton/hour
Motors	2 x 5.5KW
Weight	7000kg
Drum Speed	600 rpm
Motor Power	110Kw
Operating Voltage	380V

SM9025B



Agrotech

Automation

1300 284 268

www.agro-tech.com.au