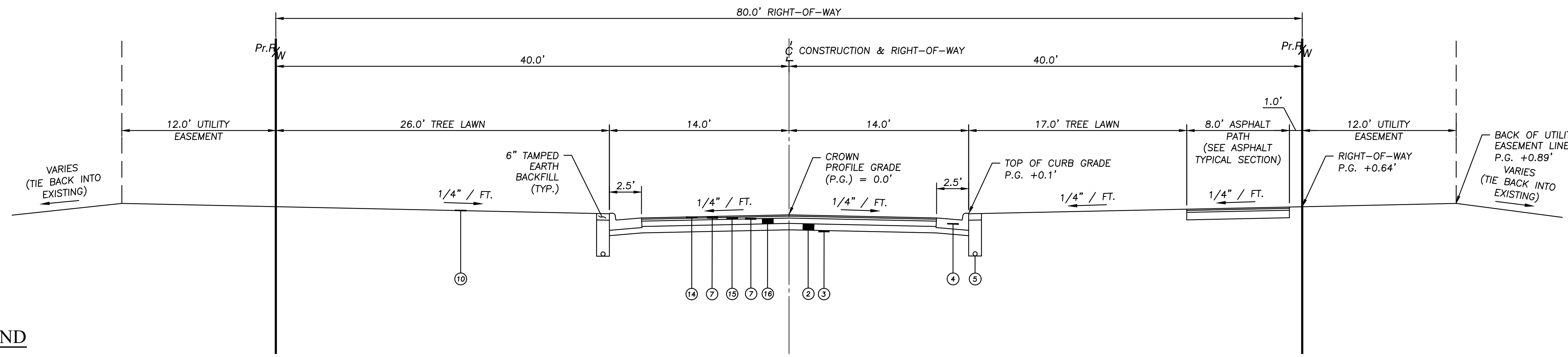
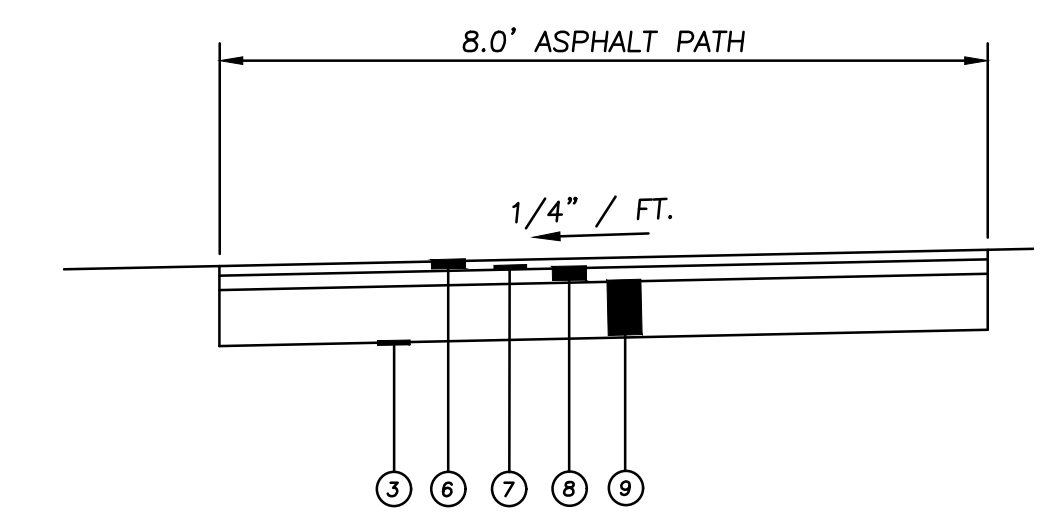


TYPICAL SECTIONS

AMHERST TOWNSHIP, COUNTY OF LORAIN, STATE OF OHIO



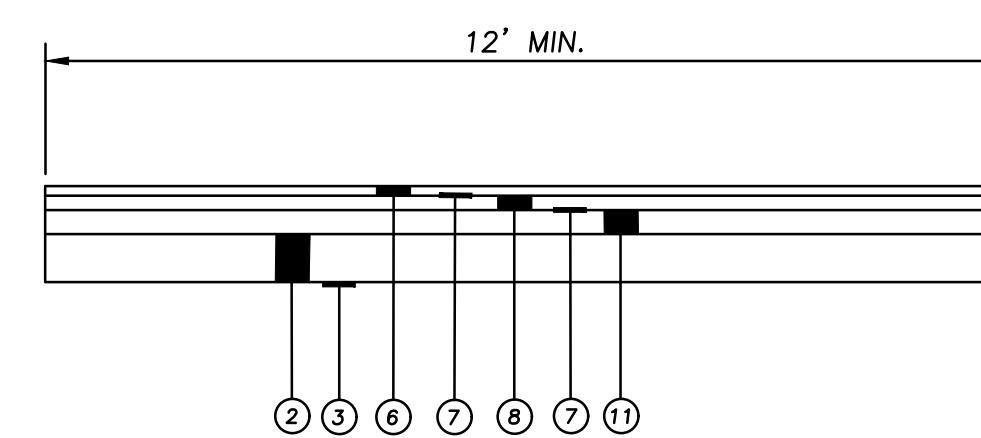
SANDSTONE PARKWAY TYPICAL SECTION
N.T.S.



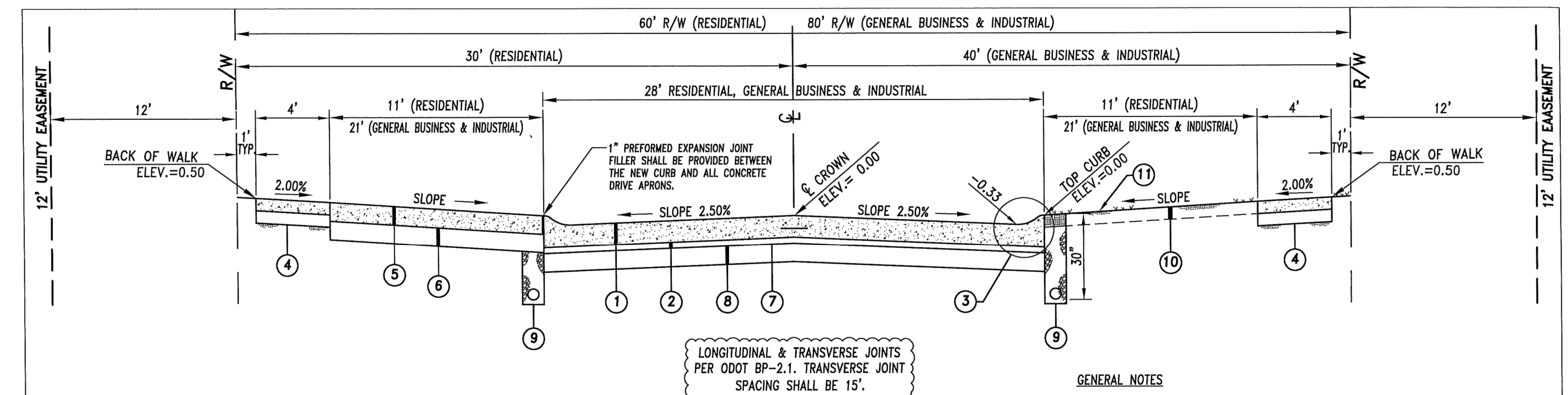
ASPHALT PATH TYPICAL SECTION
N.T.S.

LEGEND

- ① ODOT 452, NON-REINFORCED CONCRETE PAVEMENT, T=8"
- ② ODOT 304, LIMESTONE AGGREGATE BASE, T=6" (LIMESTONE ONLY, NO RECYCLED MATERIAL)
- ③ ODOT 204, SUBGRADE COMPACTION AND PROOF ROLLING
- ④ ODOT 609, TYPE 2 CONCRETE CURB & GUTTER
- ⑤ 6" DIAMETER PERFORATED RIGID SMOOTH WALL PVC UNDERDRAIN PIPE PER ODOT 707.41 (PERFORATIONS DOWN) WITH GEOTEXTILE SLEEVE MEETING THE REQUIREMENTS OF ODOT ITEM 712.09M TYPE A, AND WITH GRANULAR MATERIAL BEING NO. 57 AGGREGATE (NO SLAG).
- ⑥ ODOT 448, ASPHALT CONCRETE SURFACE COURSE, TYPE 1, PG 64-22, T=1-1/2"
- ⑦ ODOT 407, TACK COAT - 0.06 GAL/SY
- ⑧ ODOT 448, ASPHALT CONCRETE INTERMEDIATE/LEVELING COURSE, TYPE 2, PG 64-22, T=1-3/4"
- ⑨ ODOT 304, LIMESTONE AGGREGATE BASE, T=7" (LIMESTONE ONLY, NO RECYCLED MATERIAL)
- ⑩ ODOT 659, SEEDING & MULCHING
- ⑪ ODOT 301, ASPHALT CONCRETE BASE, T=3"
- ⑫ ODOT 304, LIMESTONE AGGREGATE BASE, T=4" (LIMESTONE ONLY, NO RECYCLED MATERIAL)
- ⑬ ODOT 609, MODIFIED ODOT TYPE 3-A CONCRETE CURB & GUTTER
- ⑭ ODOT 442, ASPHALT CONCRETE SURFACE COURSE, 9.5MM, TYPE B (448), T=1-1/4"
- ⑮ ODOT 442, ASPHALT CONCRETE INTERMEDIATE COURSE, 12.5MM, TYPE B (448), T=1-3/4"
- ⑯ ODOT 301, ASPHALT CONCRETE BASE, PG 64-28 T=5"



SANITARY LIFT STATION DRIVE TYPICAL SECTION
N.T.S.



SUBDIVISION ROADS SECTION
NO SCALE

GENERAL NOTES

THE TOWNSHIP ROAD SUPERINTENDENT OR HIS DESIGNATED REPRESENTATIVE SHALL BE PRESENT DURING THE PROOF ROLL.

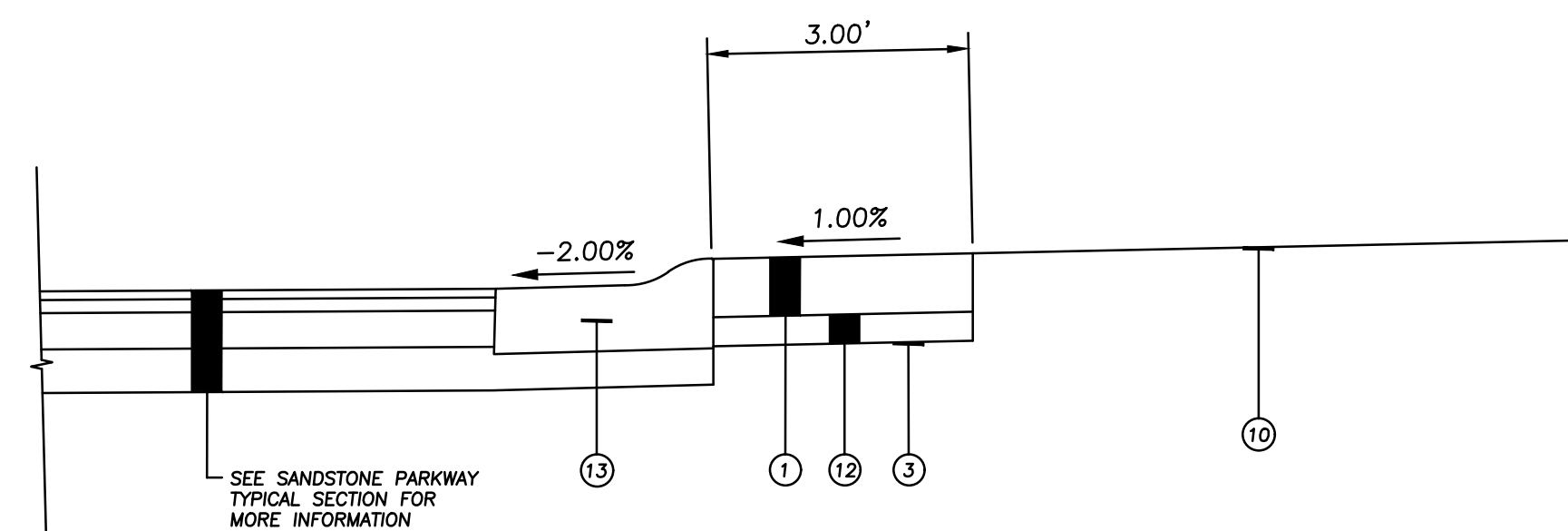
ALL SIDEWALKS SHALL BE ADA COMPLIANT.

ALL CATCH BASINS SHALL BE PRECAST CONCRETE CONSTRUCTION. ALL PIPES SHALL BE CEMENTED INTO THE CATCH BASIN OR MANHOLE FROM BOTH SIDES. ALL GRADE ADJUSTMENTS SHALL BE MADE WITH PRECAST RINGS. NO BRICK, SLABS, MORTAR CONSTRUCTION OR ADJUSTMENTS ALLOWED.

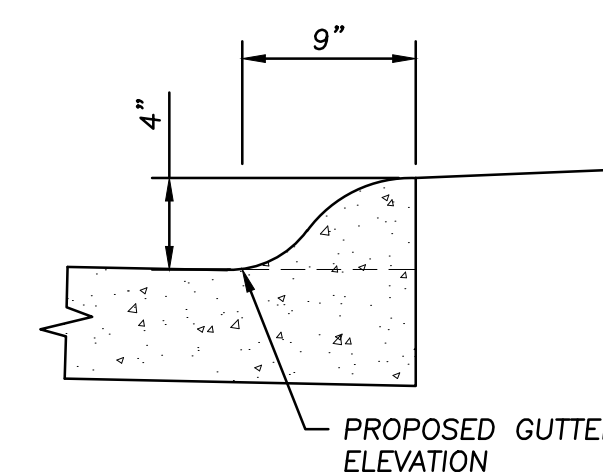
ALL MATERIAL AND CONSTRUCTION METHODS SHALL CONFORM TO THE LATEST EDITION OF THE STATE OF OHIO DEPARTMENT OF TRANSPORTATION "CONSTRUCTION AND MATERIAL SPECIFICATIONS" MANUAL.

ODOT SPECIFICATION REFERENCE

- | | |
|--|---|
| ① ITEM 452 - NON-REINFORCED PORTLAND CEMENT CONCRETE PAVEMENT QC1 (4000 PSI AT 28 DAYS, 7 ±2% AIR CONTENT) 7" THICKNESS - RESIDENTIAL 8" THICKNESS - GENERAL BUSINESS & INDUSTRIAL | ⑥ ITEM 304 - AGGREGATE BASE (6" THICKNESS) |
| ② AGGREGATE BASE, #8 LIMESTONE 2" THICKNESS - RESIDENTIAL 4" THICKNESS - GENERAL BUSINESS & INDUSTRIAL | ⑦ ITEM 204 - SUBGRADE COMPACTION & PROOF ROLLING ITEM 203 - ROADWAY EXCAVATION & EMBANKMENT |
| ③ ITEM 609 - CURBING, ODOT TYPE 3-A CURB | ⑧ ITEM 206 - CHEMICALLY STABILIZED SUBGRADE (AS DIRECTED BY THE COUNTY ENGINEER) 6" MINIMUM THICKNESS - RESIDENTIAL 9" MINIMUM THICKNESS - GENERAL BUSINESS & INDUSTRIAL |
| ④ ITEM 608 - WALKS 4" THICK CONCRETE SIDEWALK, 6" THICK AT DRIVEWAYS WITH 4" AGGREGATE BASE (ODOT 304 LIMESTONE) | ⑨ ITEM 605 - UNDERDRAINS 6" DIAMETER CORRUGATED POLYETHYLENE DRAINAGE TUBING (PERFORATED), SMOOTH LINED N-12 OR EQUAL. INSTALL FLOWLINE 30" BELOW TOP OF CURB. BACKFILL WITH GRANULAR MATERIAL CONSISTING OF #8 LIMESTONE. |
| ⑤ ITEM 452 - NON-REINFORCED PORTLAND CEMENT CONCRETE PAVEMENT (DRIVE APRON) QC1 (4000 PSI AT 28 DAYS, 7 ±2% AIR CONTENT) 6" THICKNESS - RESIDENTIAL 8" THICKNESS - GENERAL BUSINESS & INDUSTRIAL | ⑩ ITEM 653 - TOPSOIL, 4" THICKNESS |
| | ⑪ ITEM 659 - SEEDING AND MULCHING |



TRAFFIC ISLAND TYPICAL SECTION
N.T.S.



GUTTER DETAIL
N.T.S.

**AMHERST TOWNSHIP
ROADWAY TYPICAL SECTION
CONCRETE PAVEMENT**
March 2022

PREPARED BY:
LORAIN COUNTY ENGINEER'S OFFICE

SHEET
1/1

PREPARED BY:

BRAMHALL
ENGINEERING AND SURVEYING COMPANY
801 MOORE ROAD AVON, OHIO 44011
(440) 934 - 7878 (440) 934 - 7879 FAX
DATE PREPARED: 04-01-2022
SHEET: 4 OF 4

PREPARED FOR:
AMHERST CONSOLIDATED
PROPERTIES, LLC