

Extol™

Auditorium Seating

exceptional value | remarkable ambiance



Furnishing Knowledge®

Extol™ Auditorium Seating

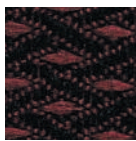
The challenge ... to create large capacity classrooms, performance venues and presentation spaces while staying within your budget.

The solution ... Extol auditorium seating. Extol delivers impressive aesthetics with its clean lines and finish options, then follows through with comfort, durability, and versatile seat sizing.

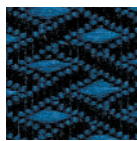
- Durable gravity-lift seat returns have no springs to wear out, resulting in longer service life.
- Five seat widths – 20, 21, 22, 23, and 24 inches enable versatile planning to fit your space and comfortably accommodate most users.
- Back pitch adjusts to 16, 20, or 24 degrees.
- Seats can be mounted on sloped floors from 0 to 9 degrees.
- Options include ADA access, tablet arms, cup holders, aisle lights, seat numbers, row markers.



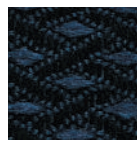
Fabrics



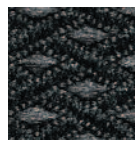
E1YR
Dark Red



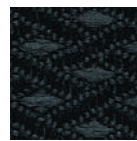
E1YL
Royal Blue



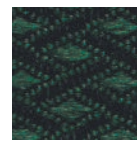
E1YD
Dark Blue



E1YY
Black and Grey



E1YB
Black Diamond



E1YG
Green



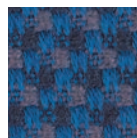
E1RP
Red Pattern



E1RD
Red



E1LB
Light Blue



E1BP
Blue Pattern



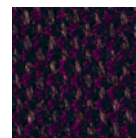
E1GY
Grey



E1BK
Black



E1BN
Brown



E1FB
Burgundy



E1FN
Navy



E1FG
Grey Purple

Options

Choose the Extol options that best fit your space and needs including: seat width, back pitch, floor slope, tablet arms, ADA access, row markers, seat numbers, aisle lights and design/finish options.



Comfortable seats are available in five widths.



Seat back can be set at three different pitches: 16, 20, or 24 degrees.



Uprights can be mounted on sloped floors from 0 to 9 degrees.



Tablet arms (left or right) provide convenient writing surfaces and store out of the way.



Flip-up arm accommodates ADA access.



Wood, plastic, or laminate end panels enhance aesthetics.

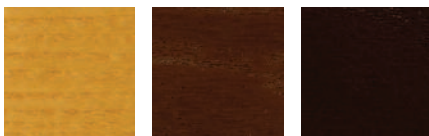


Armrests are available in wood, plastic, or plastic cupholder styles.



Optional row markers and seat numbers improve wayfinding.

Wood Finishes

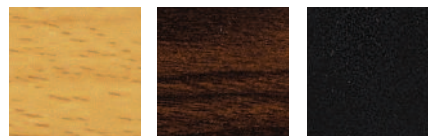


XTK
Teak

XWT
Walnut

XBT
Black Walnut

Laminate Finishes



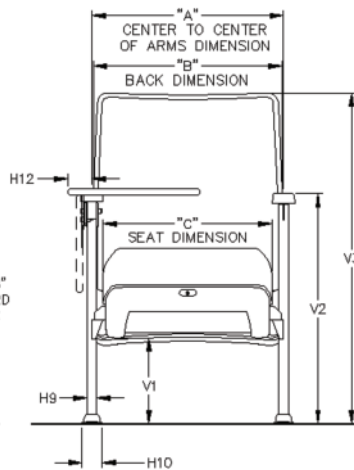
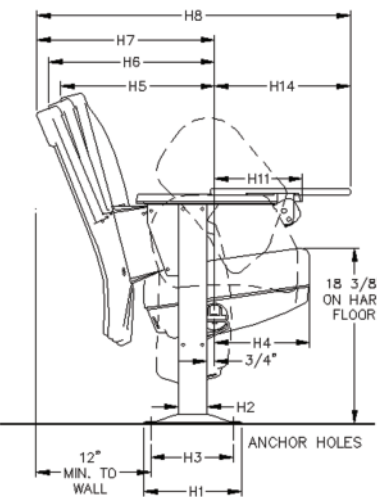
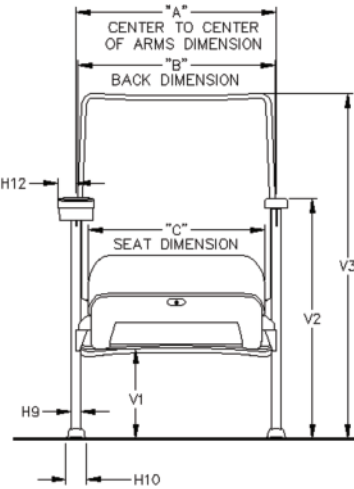
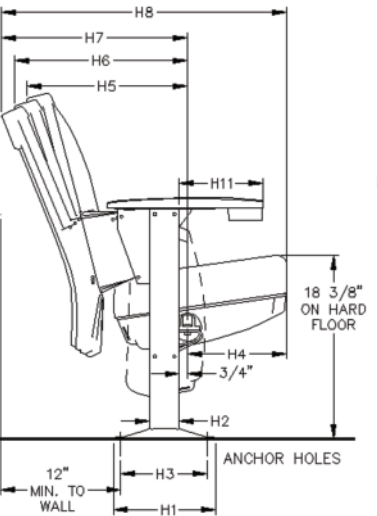
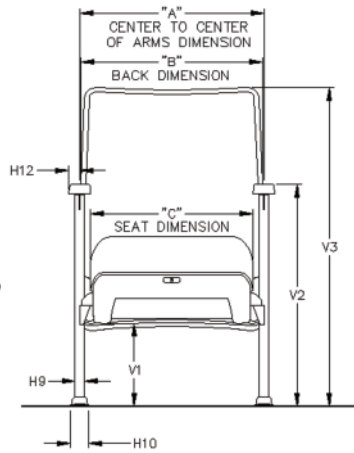
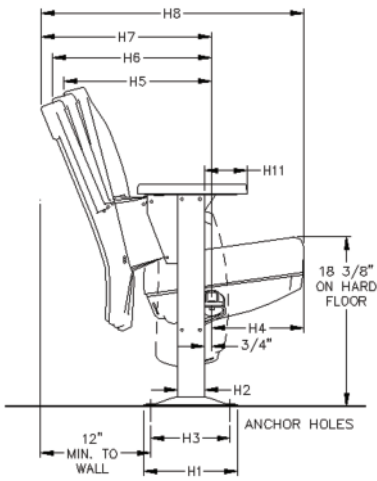
LBH
Beech

LWT
Walnut

LXB
Black

NOTE: wood Walnut finish does NOT match laminate Walnut finish.

Dimensions



Seat Tag	A	B	C
20	20"	19-3/4"	17-5/8"
21	21"	19-3/4"	17-5/8"
22	22"	19-3/4"	17-5/8"
23	23"	22-3/4"	20-5/8"
24	24"	22-3/4"	20-5/8"

H1	Floor Mounting Plate	10-1/4"
H2	Upright	3"
H3	Bolt Holes	8-5/8"
H4	Seat Pivot Point to Seat Front	10"
H5	Seat Bolted Forward Position	16 deg. 16"
H6	Seat Bolted Mid Position	20 deg. 17-1/4"
H7	Seat Bolted Back Position	24 deg. 18-1/2"
H8	Seat Back to Seat Front	28-1/2"
H9	Upright Thickness	1"
H10	Upright Base Width	2"
H11	Armcap Protruding from Front Upright Frame	
	- Plastic	4-5/8"
	- Wood	5"
	- Cupholder Plastic	8-3/8"
H12	Outer Edge of Armcap to Centerline of Upright	
	- Plastic or Wood	1-1/8"
	- Cupholder Plastic	1-3/4"

V1	Floor to Bottom of Seat - Down Position	9-1/8"
V2	Floor to Top of Flat Plastic Armcap	24"
V3	Floor to Top of Seat Back - Mid Position	34-5/8"

H1	Floor Mounting Plate	10-1/4"
H2	Upright	3"
H3	Bolt Holes	8-5/8"
H4	Seat Pivot Point to Seat Front	10"
H5	Seat Bolted Forward Position	16 deg. 16"
H6	Seat Bolted Mid Position	20 deg. 17-1/4"
H7	Seat Bolted Back Position	24 deg. 18-1/2"
H8	Seat Back to Tablet Front	32-3/4"
H9	Upright Thickness	1"
H10	Upright Base Width	2"
H11	Seat Pivot Point to Front Protrusion of Tablet Arm	9-1/4"
H12	Center of Upright to Tablet Outer Edge	2-1/2"
H13	NA	NA
H14	Seat Back Pivot Point to Tablet Front	14-1/4"

Printed on FSC® certified paper using only vegetable-based inks, including metallics. Please recycle.



KI is a trusted expert for furniture and wall systems around the globe.

USA | CANADA | MEXICO | UK | EUROPE | ASIA | MIDDLE EAST | AUSTRALIA

1330 Bellevue Street • P. O. Box 8100 • Green Bay, WI 54308-8100 • 1-800-424-2432 • www.ki.com

© 2015 Krueger International, Inc. All Rights Reserved. Code KI-01030/HC/1P/0115
KI and Furnishing Knowledge are registered trademarks of Krueger International, Inc.



Furnishing Knowledge®