

DEFENDER AURUM NX SAFES



**JEWELLER'S DREAM,
BURGLAR'S NIGHTMARE**

DEFENDER AURUM NX

The Defender Aurum NX Safe is designed on a platform suited to the needs of consumers across the globe, thus bringing international quality and looks with it for our Indian customers. The Defender Aurum NX is the solution to the customers needs against all possible burglary attacks. Reinforced with enhanced barrier material (DDB and TDR), developed by Godrej through rigorous research and development, it now offers excellent resistance to threats which include cutting, breaking and drilling using all types of mechanical and electrical tools. Eg - Oxyacetylene torch, Breaking hammers etc.

The new single-piece wrap-around construction provides even more formidable strength to this already top of the range safe from Godrej Security Solutions. The zinc plated bolted mechanism offers superior corrosion resistance with additional features that provide convenience to change or additional secondary locks in line with the requirements that may arise in the future. Manufactured in the state-of-the-art facility at Vikhroli, Mumbai, the Defender Aurum NX range of safes incorporates the perfect blend of global design and indigenous manufacturing marvel."

QUALITY LEADERSHIP

At Godrej Security Solutions we always aim to stay one step ahead. Along with pioneering innovative products, we also strive to offer quality security solutions that go the extra mile. Godrej Security Solutions is a recipient of the most coveted award for "TPM Excellence - Category A" by JIPM (Japan Institute of Plant Maintenance), also conferred upon the GreenCo award for Green Company rating system. When you buy a Godrej product you can be rest assured that you are receiving a quality product that has gone through a stringent Pre-Treatment Process followed by advanced checks and measures. The Godrej 7 step 12 Tank Pre-Treatment Process is just one such example of how we do not leave any stone unturned in ensuring quality as well as longevity of our products.

All Godrej steel components undergo a 7 step 12 Tank Pre-Treatment Process to combat rusting.

1 De-greasing
The process of de-greasing removes all types of oils, grease, dust and organic contaminations from the metal's surface.

Water Rinse **2**
The metal surface is cleansed of oils from the surface with Water Rinse.

3 De-rusting
De-rusting is an effective process that combats corrosion. A combination of acids are used to remove rust layers.

Water Rinse **4**
The metal surface is cleansed of acids for further treatment with Water Rinse.

5 Phosphating
Phosphating offers enhanced corrosion protection and the steel surface is converted into a corrosion resistant non-metallic surface.

Water Rinse **6**
All powder particles and / or loose coating is washed off from the metal sheet using one tank.

7 Passivation
Passivation prevents atmospheric moisture from coming in contact with the metal thus avoiding a corrosion reaction - even on a phosphate surface.

FEATURES



Strong and seamless body with fully welded multi-corner bend construction without a single rivet and one-piece wrap around door construction



Two-step door and frame construction for higher resistance against fire and burglary. Strong shooting bolts to secure the door behind the jamb box against dislodging



Armoured with Double Duty Barrier (DDB) material in the door and the body



Enhanced Torch and Drill Resistant Matrix used in TRTL classes of safes, (Class II and above)



Motion sensor intelli light enables clear visibility of contents, interiors of safe and access of valuables even in dimly lit locations



Additional relocking device provided beyond the standard BIS for extra protection against attack through keyhole



Dual control high precision 8-lever locks protected with unique drill-defeat shield in the door



Class I safes have successfully withstood the one-hour fire resistance test carried out at C.B.R.I., Roorkee, India.

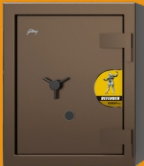


Lift-off hinges door construction which facilitates removal of door for ease in transportation & in service

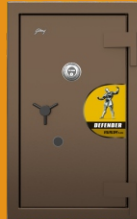
DEF
AURUM NX 26



DEF
AURUM NX 31



DEF
AURUM NX 41



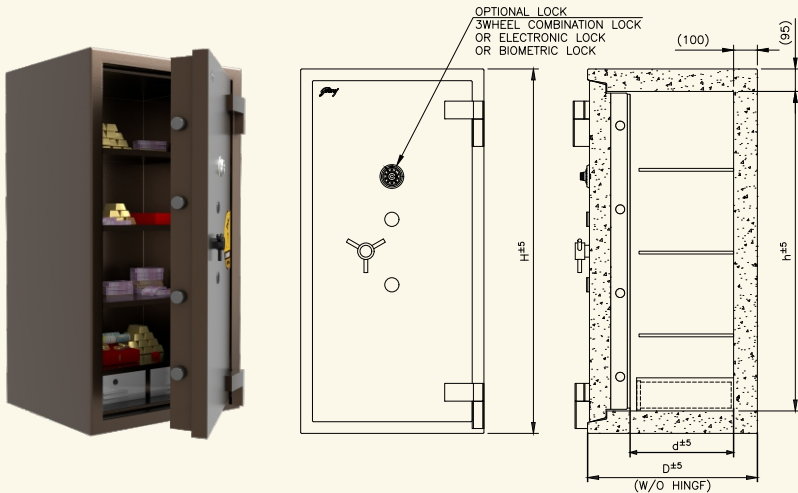
DEF
AURUM NX 49



DEF
AURUM NX 61



* height indicated in ft



CLASS I AURUM NX	EXTERNAL DIMENSIONS(mm)			INTERNAL DIMENSIONS(mm)			VOLUME (IN LTR)	WEIGHT (IN KG)
	HEIGHT(H)	WIDTH(W)	DEPTH(D)	HEIGHT(h)	WIDTH(w)	DEPTH(d)		
26 DEFENDER AURUM NX	652	521	570	462	331	288	44	380
31 DEFENDER AURUM NX	778	623	660	588	433	378	96	585
41 DEFENDER AURUM NX	1032	623	660	842	433	378	137	720
49 DEFENDER AURUM NX	1236	775	720	1046	585	436	266	1020
61 DEFENDER AURUM NX	1541	775	720	1351	585	436	344	1220

CLASS II AURUM NX	KEY LOCKS 8 LEVER DUAL CONTROL	3 WAY COMB LOCKS (OPTIONAL)	LOCKING BOLTS (*FRONT + REAR)	SHELF (ADJUSTABLE)	DRAWER (IN NO.)
26 DEFENDER AURUM NX	1	1	3 + 3	1	1
31 DEFENDER AURUM NX	1	1	3 + 3	1	1
41 DEFENDER AURUM NX	1	1	4 + 4	2	1
49 DEFENDER AURUM NX	2	1	4 + 4	2	2
61 DEFENDER AURUM NX	2	1	4 + 4	3	2

Important:

- Please check the load carrying capacity of the floor from structural engineers if the safe is to be kept on the first floor or above. Place the safe preferably on a beam.
- All dimensions are in mm. Tolerance: Weight: $\pm 10\%$, Dimensions: $\pm 5\%$



Godrej Security Solutions, Regd. Office: Plant no. 17, Pirojshanagar, Vikhroli, Mumbai - 400079
 Toll Free No.: 1800 209 9955 (Sales / Service) | Email: secure@godrej.com (Sales), secare@godrej.com (Service)
 Website: www.godrejsecure.com | Follow us: www.facebook.com/GodrejSecure | www.twitter.com/godrejsecure

Disclaimer: In view of the Godrej policy of continuous development and improvement, the dimensions and specifications may be changed without prior notice or obligation.
 Colours of the products shown in this catalogue may not match the actual colour of the product due to printing limitations.
ISO 9001:2015 / ISO 14001:2015 / BS OHSAS 18001:2015