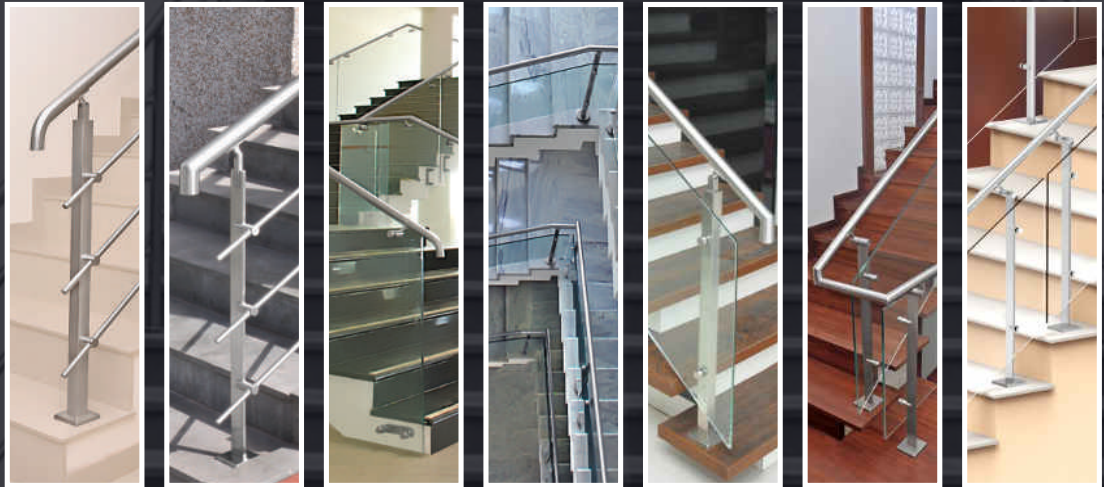


# Design *with* Style...

A Complete Railing Solution





**SHRI CHIMANBHAI HAPANI**  
FOUNDER



**Corporate House**



**Production Unit**

Kich Architectural Products Pvt. Ltd. is Rajkot based India's leading manufacturer in the Premium segment of Architectural Hardware, Glass Fittings, Furniture Fittings, Bathroom Accessories, Railing Systems & Digital Safes. With a vision to deliver superior quality and long lasting durability in Architectural Products category, Kich was established as an export oriented unit in the year 1992. Although having a very humble beginning, Kich grew at a very fast pace due to unmatched quality and unique craftsmanship of its products.

Since inception, Kich has always fulfilled global quality parameters. Kich Architectural Products are the epitome of enduring strength, stunning aesthetics, unique designs and impeccable functionality. With a vast network of more than 57+ product galleries, 2 application centers, 600+ dealers and a team of more than 70 marketing executives across the country, Kich has always been able to deliver uncompromised pre and post sales service support to its customers. Besides being well-rooted in India, Kich has a vast sales and service network in Europe, Middle East and Africa.

With the splendid guidance of its founder Shri Chimanbhai Hapani and under the dynamic leadership of his three sons Mr. Bharat Hapani (Managing Director), Mr. Nitin Hapani (Director: Manufacturing) and Mr. Dinesh Hapani (Director: Export), Kich has always been able to achieve extraordinary progress with customer delight.

To suit its production objectives, Kich operates from a state-of-the-art manufacturing facility which spreads in more than 2,50,000 sq. ft. area in Rajkot. Due to an in-house Design Studio, Tool Room, R&D Division and Product Testing Facility, Kich has succeeded in consistency of product performance. Kich also has multi-facility Corporate House spread across more than 40,000 sq. ft. area which is rewarded with LEED India New Construction (NC) GOLD Rating by Indian Green Building Council (IGBC). This Corporate House empowers Kich to manage its entire pre and post sales service network with a great ease.



### NATIONAL AWARD

Kich is the first Indian company to win the National Award for best quality in the premium architectural products category. His Excellency, The Former President of India, Dr A. P.J. Abdul Kalam honoured Kich with this prestigious award.



### ASIA'S MOST PROMISING BRAND

Kich has been selected as Asia's Most Promising Brand in architectural hardware products category for its innovative marketing strategies, tremendous growth and brand recall. Asia's Most Promising Brands exhibit a research-based listing of the most promising brands across Asia. Research is executed by World Consulting & Research Corporation (WCRC) and ibrands 360. To increase the authenticity, KPMG plays role in process evaluation.



### INDIA DESIGN MARK

Kich's Handrail and Baluster Systems as well as Mortice Handles are first such products to get India Design Mark popularly known as I Mark. It is a certification granted by India Design Council, a National Strategic Body for multi-disciplinary Design in India, to those products which have high aesthetic design value, superior user potential, world-class quality and environment-friendly composition.



### AL- FUTTAIM EXOVA

Kich's Handrail and Baluster Systems have been successfully tested by Al Futtaim Exova Testing (AFE) - Façade Testing & Advisory Services Division of Exova Group at Dubai in accordance with ASTM E 935-00, ASTM E 985-00 and ASTM E 2353-06 American Standards for Concentrated Load Test, Uniformly Distributed Load Test and Shot Bag Impact Test.



### INDIAN POWER BRAND

Kich is the first company selected as Indian Power Brand in architectural products' category by Indian Council for Market Research. Indian Power Brand is a research driven anthology listing out most powerful Indian companies, which are successfully taking on and beating their global competitors in their unique ways.



### IGBC MEMBER

Kich is the first member of IGBC (Indian Green Building Council) in the premium architectural products' category to promote the green building movement in India. An application of Kich Product contributes towards valuable 4 LEED points for green building project certification, because all the Kich products are crafted from raw material, which is recycled as well as recyclable.



**Shri Chimanbhai Hapani receiving NATIONAL AWARD for BEST QUALITY from His Excellency, The President of India, Dr. A.P.J. Abdul Kalam at New Delhi**



### STAR - BRAND

Kich is the first Indian company selected as Star Brand in the premium architectural products category As a conclusion of pan India research of the Indian Council for Market Research (ICMR) on the most impact creating brands of the country Kich was honoured with the status of Star Brand.

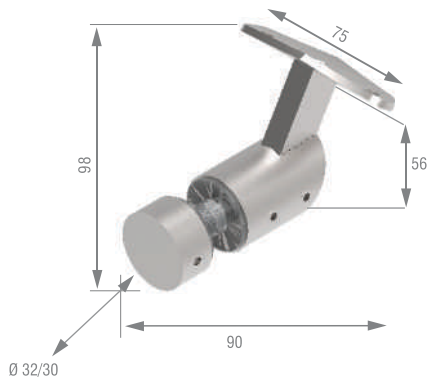


### GAI AFFILIATE

Kich is an affiliate member of the Guild of Architectural Ironmongers (GAI) UK. Being an affiliate member of GAI signifies that Kich follows professional standards of quality. It also signifies that Kich has high technical expertise of manufacturing and up-to-date knowledge of ironmongery industry.

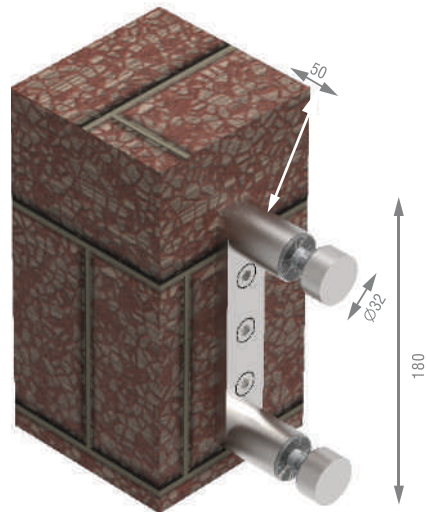


Side Bracket Railing System with Glass (**DS1-1-GLS**)



**Top Bracket to Hold Glass**

Grade	Code	End Cap Ø
S.S.316	<b>DS1U- GLS</b>	32
S.S.304	<b>ABS1U-GLS</b>	30
Glass Thickness : 12 to 17.52		



**Side Bracket**

Grade	Code	Base Plate	End Cap Ø
S.S.316	<b>DS1- GLS</b>	-	32
S.S.304	<b>ABS1-GLS</b>	-	30
Glass Thickness : 12 to 17.52			

Available Finishes

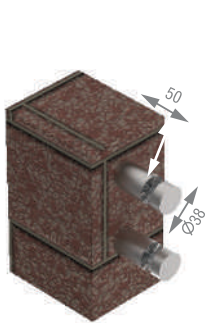
Satin	Glossy
✓	

All sizes are mentioned in mm

 Corrosion Resistance

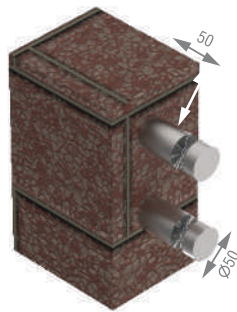


Side Mounted Spacer System with Glass - Ø38mm (**DS3-1-GLS**) & Ø50mm (**DS2-1-GLS**)



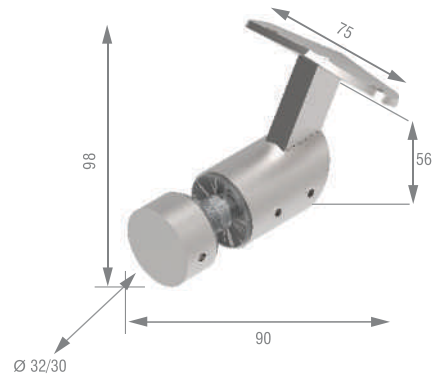
**Side Glass Space - Ø 38**

Grade	Code	Base Plate
S.S.316	<b>DS3-GLS</b>	-
S.S.304	<b>ABS3-GLS</b>	
Glass Thickness : 12 to 17.52		



**Side Glass Space - Ø 50**

Grade	Code	Base Plate
S.S.316	<b>DS2-GLS</b>	-
S.S.304	<b>ABS2-GLS</b>	
Glass Thickness : 12 to 17.52		



**Top Bracket to Hold Glass**

Grade	Code	Base Plate
S.S.316	<b>DS1U-GLS</b>	32
S.S.304	<b>ABS1U-GLS</b>	30
Glass Thickness : 12 to 17.52		

All sizes are mentioned in mm

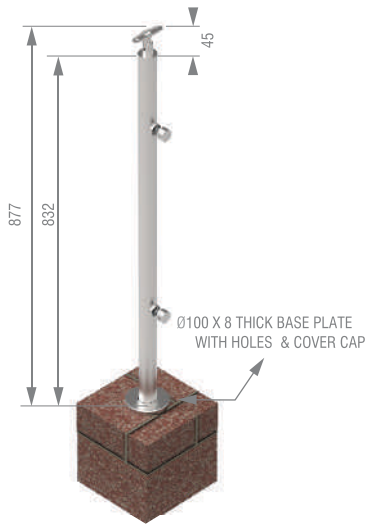
 Corrosion Resistance

Available Finishes	
Satin	Glossy
✓	

Look for **KIEH** Logo on each product.

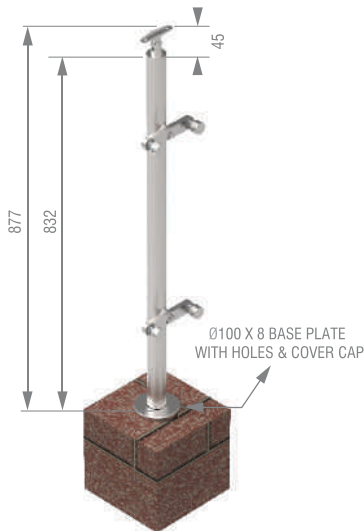


Top Mounted Round Baluster System with Glass - Ø42.4mm (DT15-1-GLS) & Ø50mm (DT12-1-GLS)



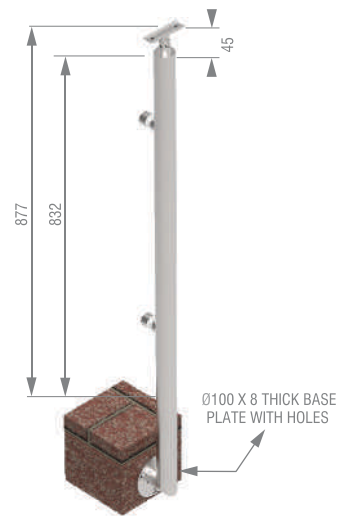
**Top Mounted Round Baluster with Glass Bracket**

Grade	Code	Base Plate
S.S.316	DT15- GLS	S.S. 316
S.S.304	ABT223-1-GLS	S.S. 202
Glass Thickness : 12 to 17.52		



**Top Mounted Round Baluster with Double Glass Bracket**

Grade	Code	Base Plate
S.S.316	DT15- DGLS	S.S. 316
S.S.304	ABT223-1-DGLS	S.S. 202
Glass Thickness : 10 to 17.52		



**Side Mounted Round Baluster with Glass Bracket**

Grade	Code	Base Plate
S.S.316	DT15-1-GLS	S.S. 316
S.S.304	ABS223-1-DGLS	S.S. 304
Glass Thickness : 10 to 17.52		

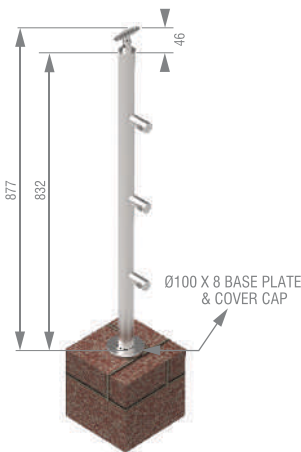
Available Finishes	
Satin	Glossy
✓	

All sizes are mentioned in mm

Corrosion Resistance

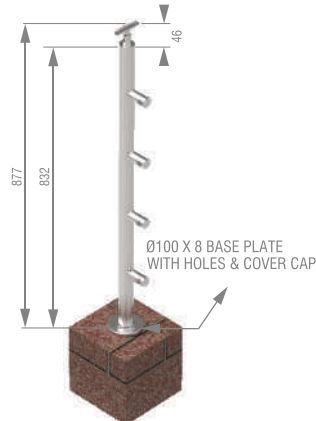


Top Mounted Round Baluster System With Horizontal Members - Ø 42.4mm (DT15-1-163) & Ø50mm(DT12-1-163)



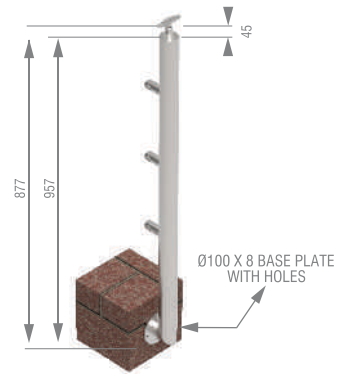
**Top Mounted Round Baluster with Horizontal Members**

Grade	Code	Base Plate	Horizontal Members Pipe Thickness
S.S.316	<b>DT15-1- 163</b>	S.S.316	1.5
S.S.304	<b>ABT223-1-163</b>	S.S.316	1.2
Horizontal Members : Ø 16/19 mm			



**Top Mounted Round Baluster with Horizontal Members**

Grade	Code	Base Plate	Horizontal Members Pipe Thickness
S.S.316	<b>DT15-1- 164</b>	S.S.316	1.5
S.S.304	<b>ABT223-1-164</b>	S.S.316	1.2
Horizontal Members : Ø 16/19 mm			



**Side Mounted Round Baluster with Horizontal Members**

Grade	Code	Base Plate	Horizontal Members Pipe Thickness
S.S.316	<b>DT15-1- 163</b>	S.S.316	1.5
S.S.304	<b>ABT223-1-163</b>	S.S.304	1.2
Horizontal Members : Ø 16/19 mm			

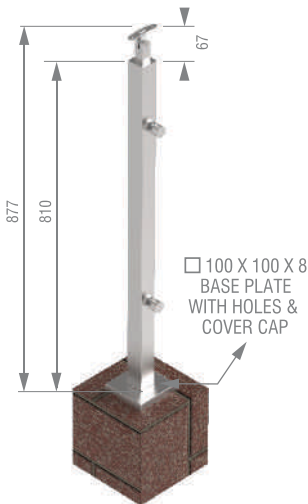
Available Finishes	
Satin	Glossy
✓	

All sizes are mentioned in mm

Corrosion Resistance

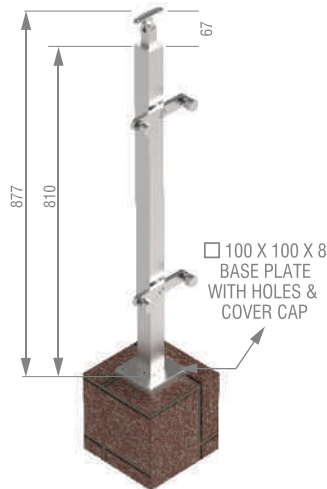


Top Mounted Square Baluster System With Glass - 40x40x1.5mm (DT31-1-GLS)



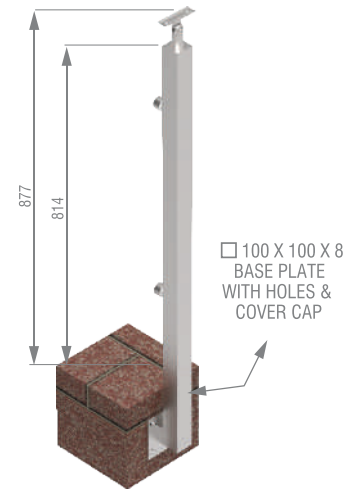
**Top Mounted Square Baluster with Glass Bracket**

Grade	Code	Base Plate
S.S.316	<b>DT31-1-GLS</b>	S.S.316
S.S.304	<b>ABT241-1-GLS</b>	S.S.202
Glass Thickness : 10 to 17.52		



**Top Mounted Square Baluster with Double Glass Bracket**

Grade	Code	Base Plate
S.S.316	<b>DT31-1-GLS</b>	S.S.316
S.S.304	<b>ABT241-1-DGLS</b>	S.S.202
Glass Thickness : 10 to 17.52		



**Side Mounted Square Baluster with Glass Bracket**

Grade	Code	Base Plate
S.S.316	<b>DS31-1-GLS</b>	S.S.316
S.S.304	<b>ABS241-1-GLS</b>	S.S.304
Glass Thickness : 10 to 17.52		

Available Finishes	
Satin	Glossy
✓	

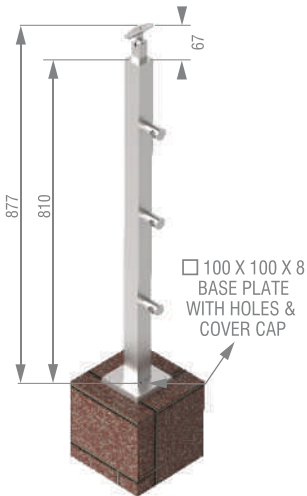
All sizes are mentioned in mm

Corrosion Resistance



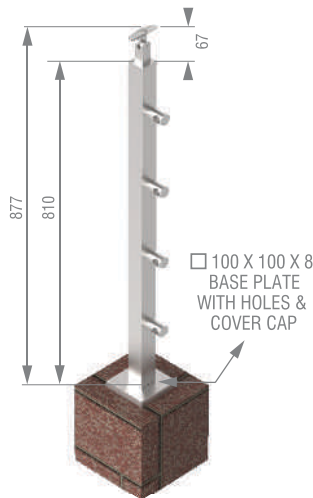


Top Mounted Square Baluster System With Horizontal Members - 40x40x1.5mm (DT31-1-163)



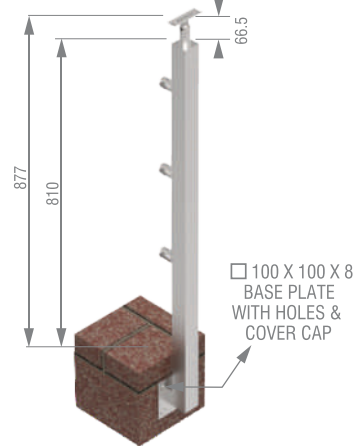
**Top Mounted Square Baluster with Horizontal Members**

Grade	Code	Base Plate
S.S.316	<b>DS31-1-163</b>	S.S.316
S.S.304	<b>ABT241-1-163</b>	S.S.202
Horizontal Members : Ø 16/19 mm		
Horizontal Members Pipe Thickness : 1.5 mm		



**Top Mounted Square Baluster with Horizontal Members**

Grade	Code	Base Plate
S.S.316	<b>DT31-1-164</b>	S.S.316
S.S.304	<b>ABT241-1-164</b>	S.S.202
Horizontal Members : Ø 16/19 mm		
Horizontal Members Pipe Thickness : 1.5 mm		



**Side Mounted Square Baluster with Horizontal Members**

Grade	Code	Base Plate
S.S.316	<b>DS31-1-163</b>	S.S.316
S.S.304	<b>ABS241-1-163</b>	S.S.304
Horizontal Members : Ø 16/19 mm		
Horizontal Members Pipe Thickness : 1.5 mm		

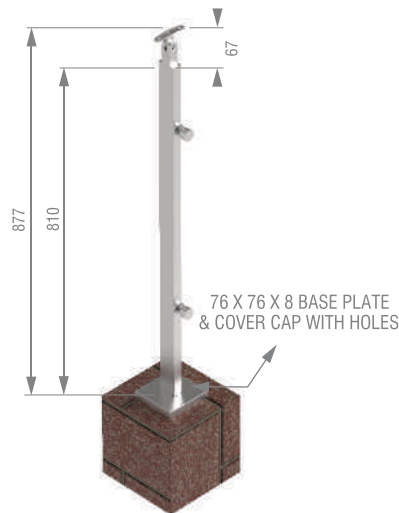
Available Finishes	
Satin	Glossy
✓	

All sizes are mentioned in mm

Corrosion Resistance

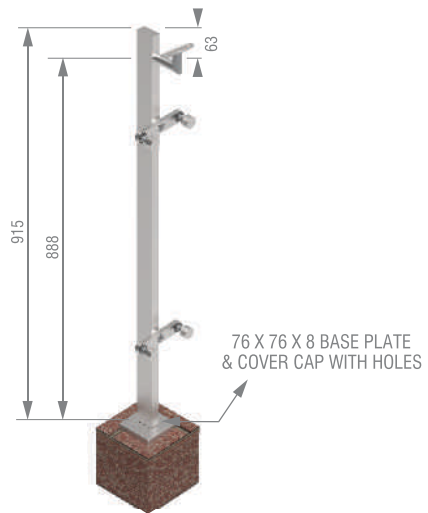


Top Mounted Rectangle Baluster System with Glass - 20x40x1.5mm (DT21-2-DGLS)



**Top Mounted Rectangle Baluster with Glass Baluster**

Grade	Code	Base Plate
S.S.316	<b>DT21-1-GLS</b>	S.S.316
S.S.304	-	-
Horizontal Members : 10 to 17.52		



**Top Mounted Rectangle Baluster with double Glass Baluster**

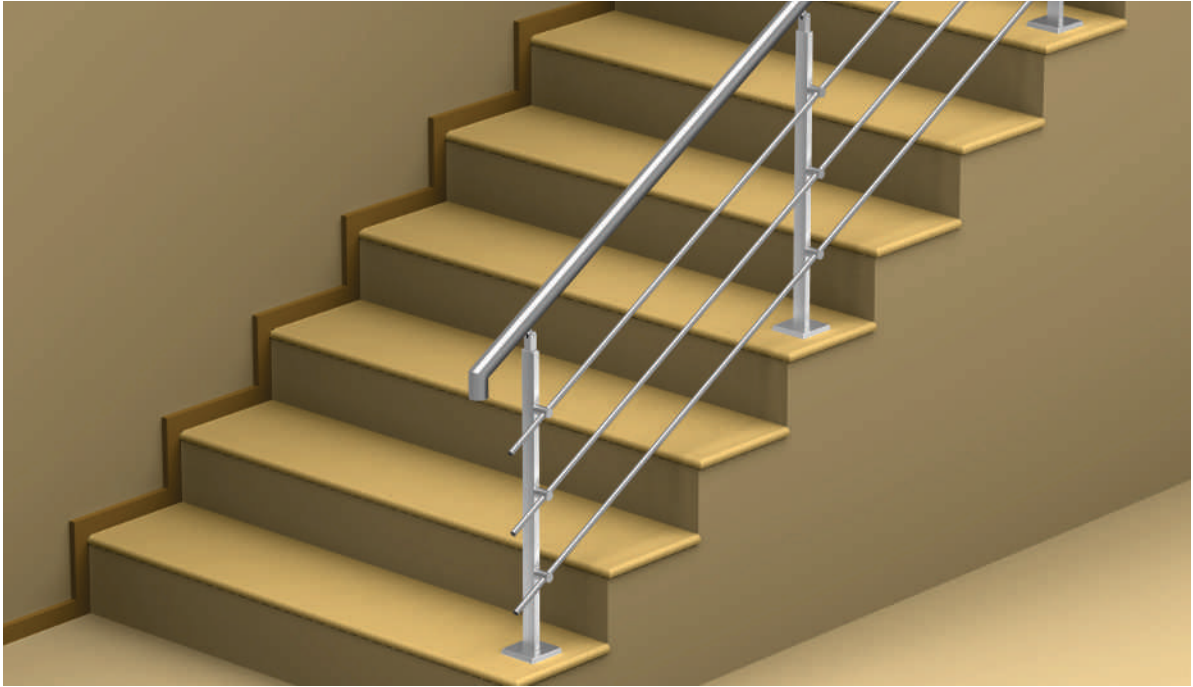
Grade	Code	Base Plate
S.S.316	<b>DT21-2-DGLS</b>	S.S.316
S.S.304	-	-
Horizontal Members : 10 to 17.52		

Available Finishes

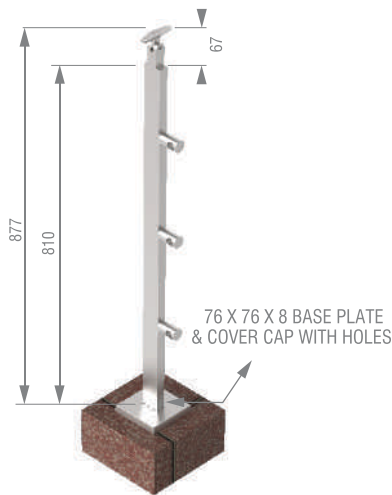
Satin	Glossy
✓	

All sizes are mentioned in mm

 Corrosion Resistance

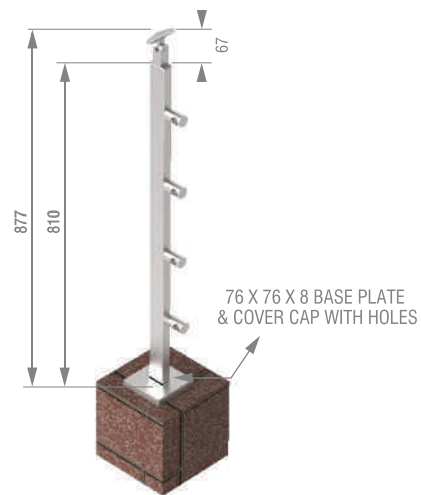


Top Mounted Rectangle Baluster System with Horizontal Members - 20x40x1.5mm (DT21-1-163)



**Top Mounted (Rectangle) Baluster with Horizontal Members**

Grade	Code	Base Plate	Horizontal Members Pipe Thickness
S.S.316	<b>DT21-1-163</b>	S.S.316	1.5
S.S.304	-	-	1.2
Horizontal Members : Ø 16/19 mm			



**Top Mounted (Rectangle) Baluster with Horizontal Members**

Grade	Code	Base Plate	Horizontal Members Pipe Thickness
S.S.316	<b>DT21-1-164</b>	S.S.316	1.5
S.S.304	-	-	1.2
Horizontal Members : Ø 16/19 mm			

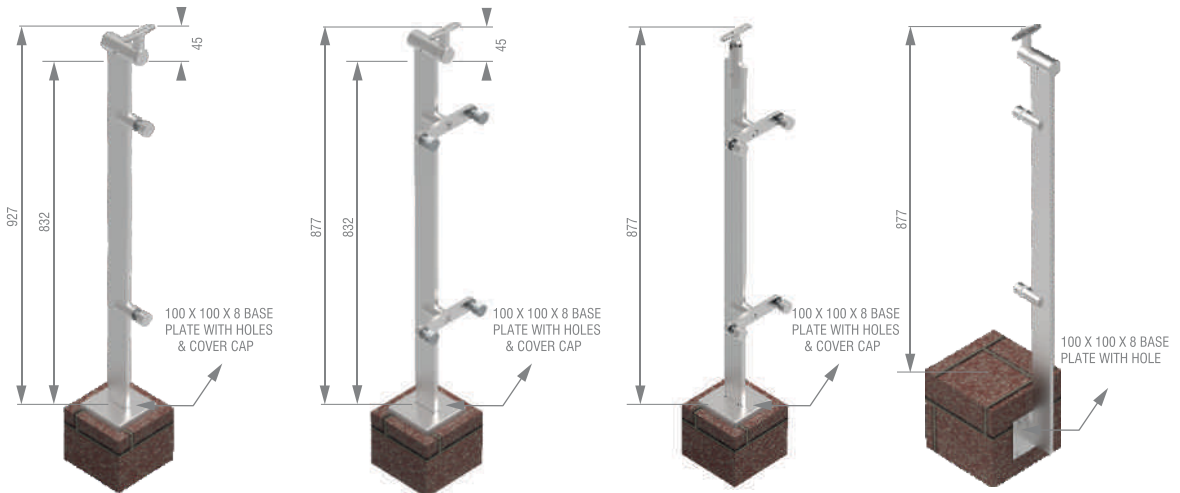
Available Finishes	
Satin	Glossy
✓	

All sizes are mentioned in mm

Corrosion Resistance



Top Mounted Flat Baluster System with Glass - 10x50mm (DT52-3-GLS)



**Top Mounted Flat Baluster with Glass Bracket**

Grade	Code	Base Plate
S.S.316	<b>DT52-3-GLS</b>	S.S.316
S.S.304	<b>ABT261-3-GLS</b>	S.S.202
Glass Thickness: 10 to 17.52		

**Top Mounted Flat Baluster with Double Glass Bracket**

Grade	Code	Base Plate
S.S.316	<b>DT52-3-DGLS</b>	S.S.316
S.S.304	<b>ABT261-3-DGLS</b>	S.S.202
Glass Thickness: 10 to 17.52		

**Top Mounted Flat Baluster with Double Glass Bracket**

Grade	Code	Base Plate
S.S.316	<b>DT52-2-DGLS</b>	S.S.316
S.S.304	<b>ABT261-3-DGLS</b>	S.S.202
Glass Thickness: 10 to 17.52		

**Side Mounted Flat Baluster with Glass Bracket**

Grade	Code	Base Plate
S.S.316	<b>DS52-3-GLS</b>	S.S.316
S.S.304	<b>ABS261-3-GLS</b>	S.S.202
Glass Thickness: 10 to 17.52		

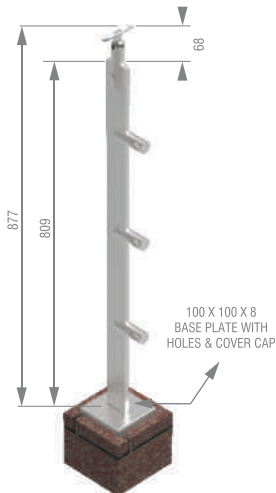
Available Finishes	
Satin	Glossy
✓	

All sizes are mentioned in mm

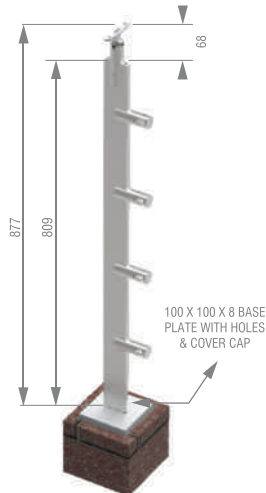
Corrosion Resistance



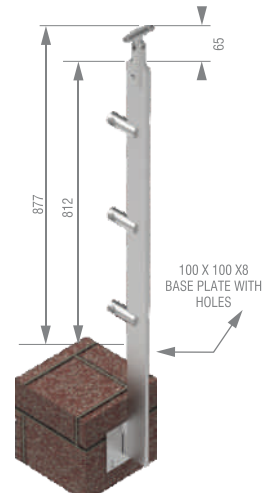
Top Mounted Flat Baluster System with Horizontal Members -10x50mm (DT53-2-163)



**Top Mounted Flat Baluster with Horizontal Members**



**Top Mounted Flat Baluster with Horizontal Members**



**Side Mounted Flat Baluster with Horizontal Members**

Grade	Code	Base Plate	Horizontal Members Pipe Thickness
S.S.316	<b>DT53-2-163</b>	S.S.316	1.5
S.S.304	<b>ABT262-2-163</b>	S.S.202	1.2
Horizontal Members : Ø 16/19 mm			

Grade	Code	Base Plate	Horizontal Members Pipe Thickness
S.S.316	<b>DT53-2-164</b>	S.S.316	1.5
S.S.304	<b>ABT262-2-164</b>	S.S.202	1.2
Horizontal Members : Ø 16/19 mm			

Grade	Code	Base Plate	Horizontal Members Pipe Thickness
S.S.316	<b>DS53-2-163</b>	S.S.316	1.5
S.S.304	<b>ABS262-2-163</b>	S.S.202	1.2
Horizontal Members : Ø 16/19 mm			

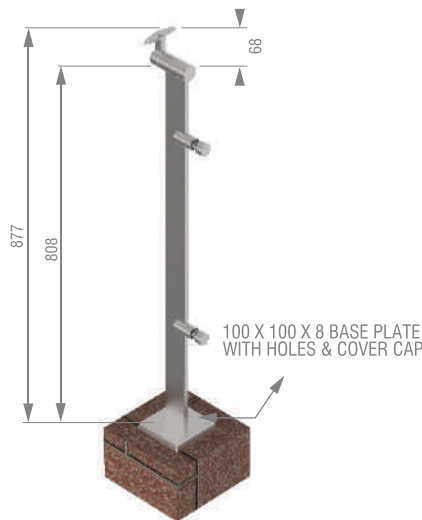
Available Finishes	
Satin	Glossy
✓	

All sizes are mentioned in mm

Corrosion Resistance

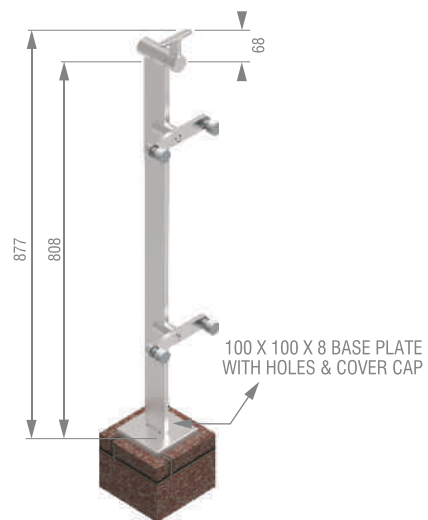


Top Mounted Flat (Hollow) Baluster System with Glass - 10x50x1.5mm (DT22-3-GLS)



**Top Mounted Flat (Hollow) Baluster with Glass Bracket**

Grade	Code	Base Plate
S.S.316	DT22-3-GLS	S.S.316
S.S.304	-	-
Horizontal Members : 10 to 17.52		



**Top Mounted Flat (Hollow) Baluster with Double Glass Bracket**

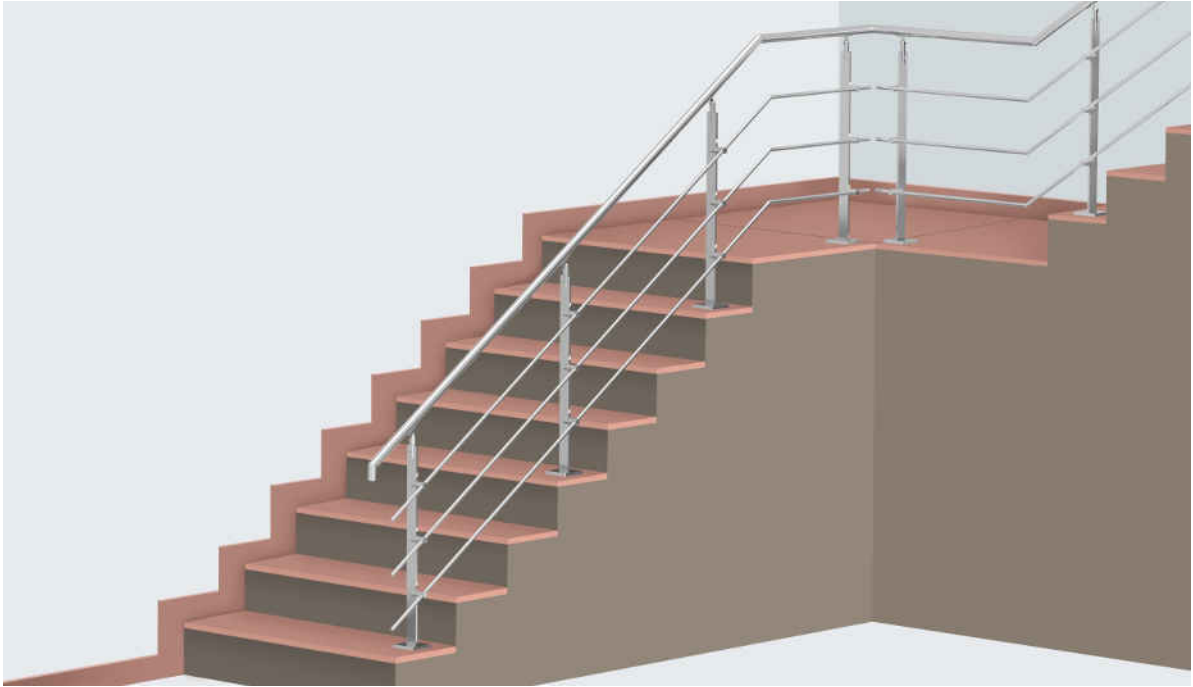
Grade	Code	Base Plate
S.S.316	DT22-3-DGLS	S.S.316
S.S.304	-	-
Horizontal Members : 10 to 17.52		

Available Finishes

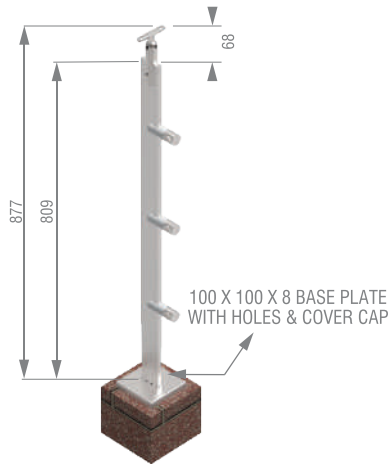
Satin	Glossy
✓	

All sizes are mentioned in mm

Corrosion Resistance

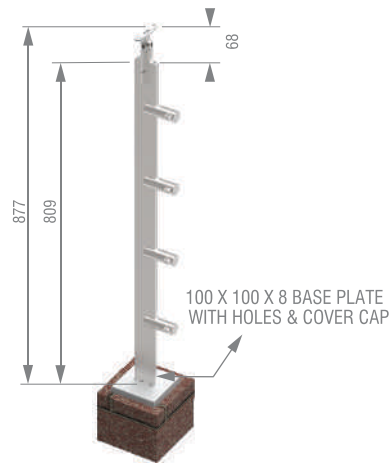


Top Mounted Flat (Hollow) Baluster System with Horizontal Members - 10x50x1.5mm (DT22-2-163)



**Top Mounted (Hollow) Baluster with Horizontal Members**

Grade	Code	Base Plate	Horizontal Members Pipe Thickness
S.S.316	<b>DT22-2-163</b>	S.S.316	1.5
S.S.304	-	-	-
Horizontal Members : Ø 16/19 mm			



**Top Mounted Flat (Hollow) Baluster with Horizontal Members**

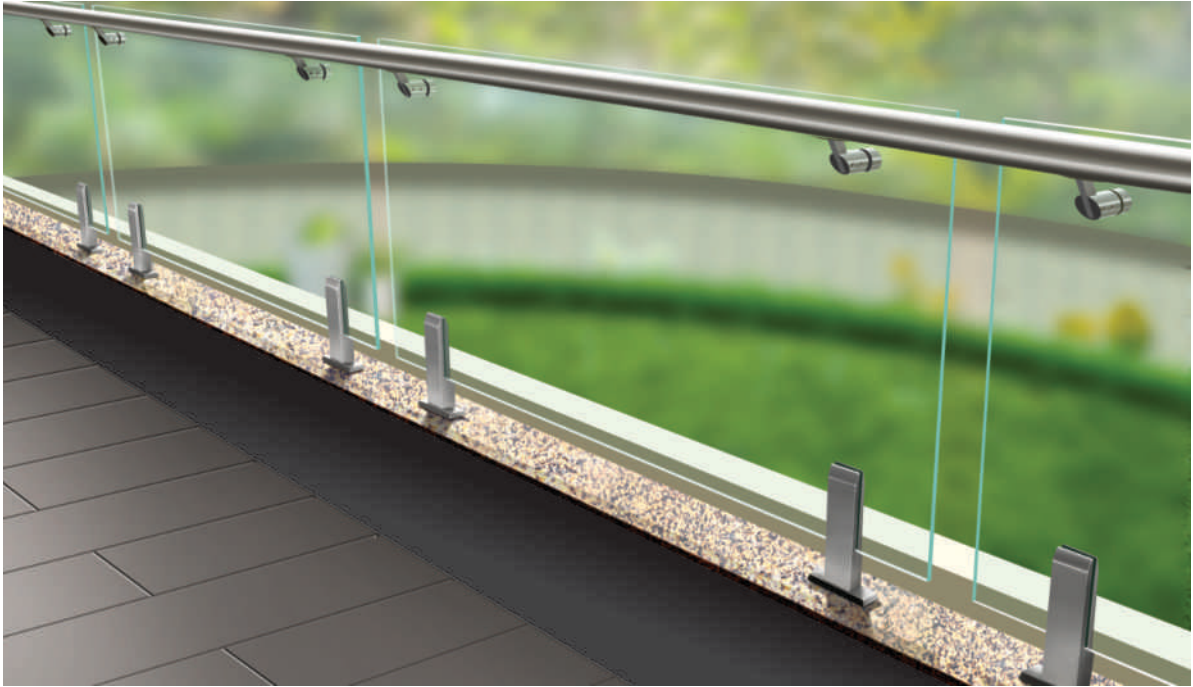
Grade	Code	Base Plate	Horizontal Members Pipe Thickness
S.S.316	<b>DT22-2-164</b>	S.S.316	1.5
S.S.304	-	-	-
Horizontal Members : Ø 16/19 mm			

Available Finishes

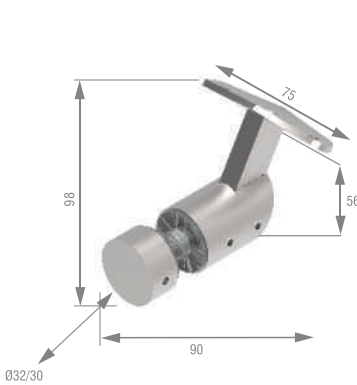
Satin	Glossy
✓	

All sizes are mentioned in mm

Corrosion Resistance



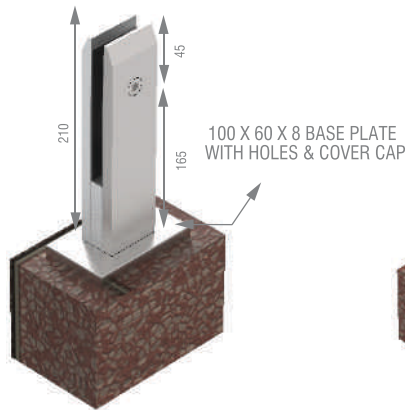
Top Mounted Flat (Short Bracket) System with Glass - 10x50x210mm - For Balcony Area, **(DT2-1-GLS)** & 10x50x325mm For Stair Case **(DT5-1-GLS)**



**Top Bracket to Hold Glass**

Grade	Code	End Cap Ø
S.S.316	<b>DS1U-GLS</b>	32
S.S.304	<b>ABS1U-GLS</b>	30

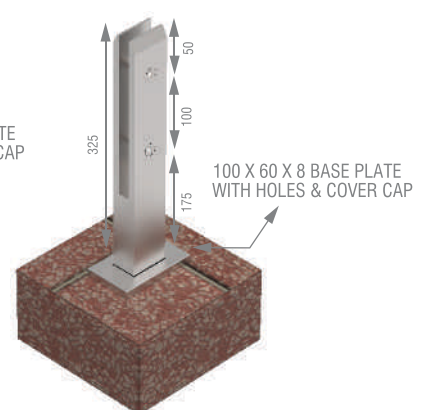
Glass Thickness : 12 to 17.52



**Top Mounted Flat Short Bracket**

Grade	Code	Base Plate
S.S.316	<b>DS2-GLS</b>	S.S.316
S.S.304	<b>ABT2-GLS</b>	S.S.202

Glass Thickness : 12



**Top Mounted Flat Short Bracket**

Grade	Code	Base Plate
S.S.316	<b>DT5-GLS</b>	S.S.316
S.S.304	<b>ABT5-GLS</b>	S.S.202

Glass Thickness : 12

Available Finishes

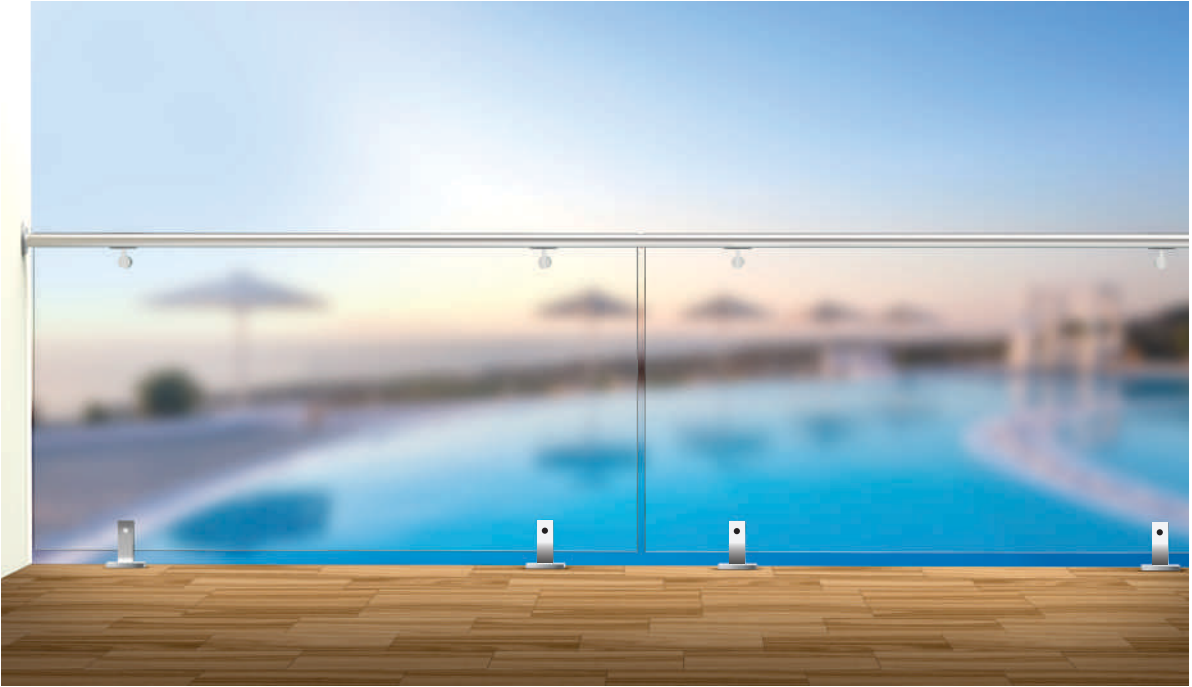
Satin	Glossy
✓	

All sizes are mentioned in mm

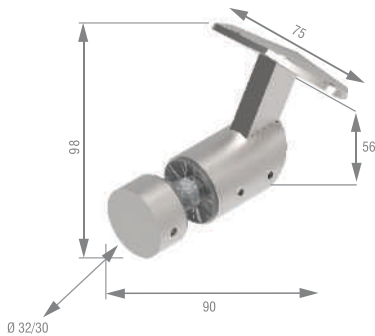
Corrosion Resistance

Look for **KIEH** Logo on each product.



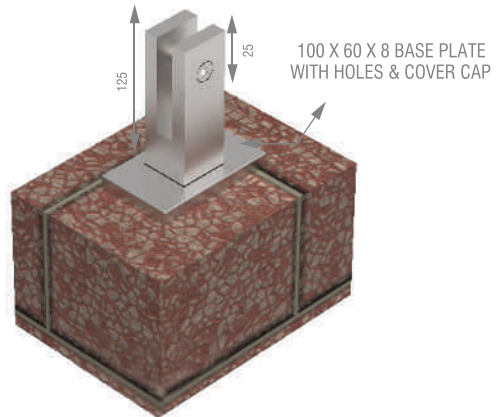


Top Mounted Flat (Short Bracket) System With Glass - 12x40x125mm For Balcony Area (**DT4-1-GLS**)



**Top Bracket to Hold Glass**

Grade	Code	Base Plate
S.S.316	<b>DS1U-GLS</b>	32
S.S.304	<b>ABST1U-GLS</b>	30
Glass Thickness : 12 to 17.52		



**Top Mounted Flat Short Bracket**

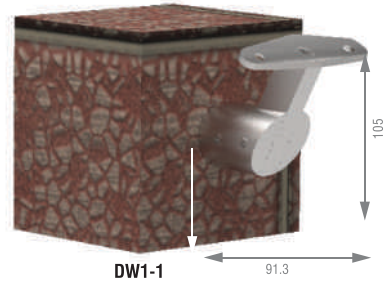
Grade	Code	Base Plate
S.S.316	<b>DS1U-GLS</b>	S.S.316
S.S.304	<b>ABST4-GLS</b>	S.S.202
Glass Thickness : 12 to 17.52		

All sizes are mentioned in mm

 Corrosion Resistance



Wall Mounted Handrail

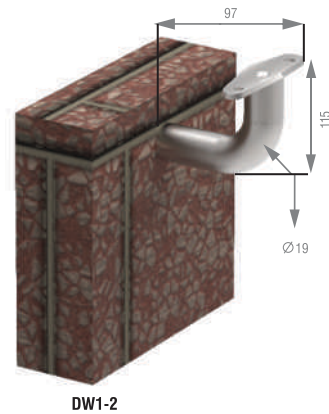


DW1-1

Grade	Code
S.S.316	DW1-1
S.S.304	AW201-2



Wall Mounted Handrail



DW1-2

Grade	Code	Wall Bracket Thickness
S.S.316	DW1-2	1.5
S.S.304	AW201-2	1.2

Available Finishes

Satin	Glossy
✓	

All sizes are mentioned in mm

 Corrosion Resistance



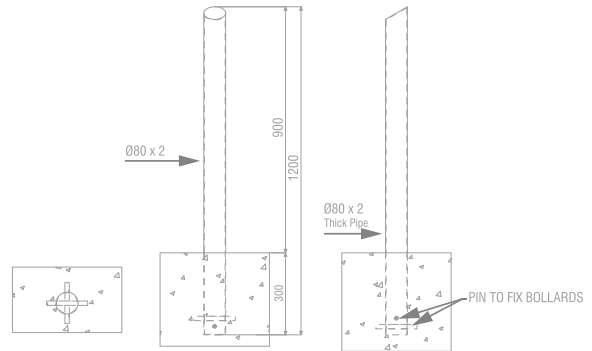
Trolley Guard



Grade	Code
S.S.316	DT16
S.S.304	ABT16



Bollard



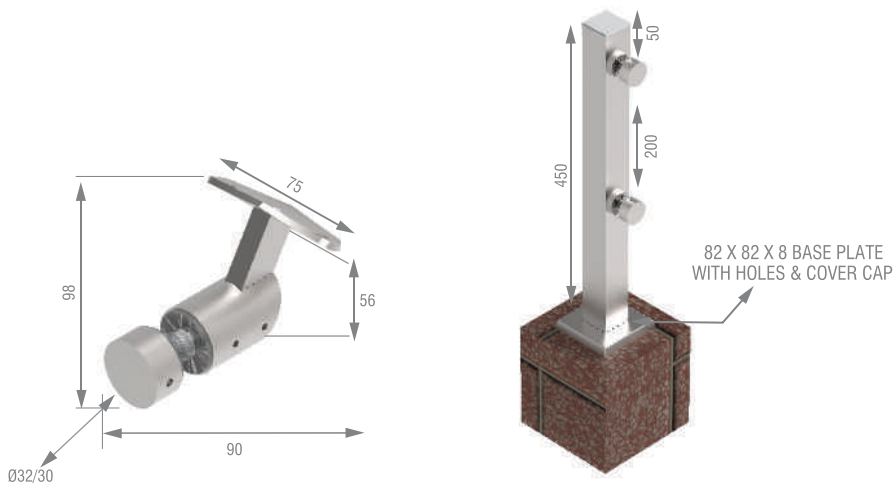
Grade	Code
S.S.316	DT14
S.S.304	ABT1U

All sizes are mentioned in mm

 Corrosion Resistance



Top Mounted Square (Short) Baluster System With Glass - 40x40x450x1.5mm (DT32-1-GLS)



**Top Bracket to Hold Glass**

Grade	Code	End Cap Ø
S.S.316	<b>DS1U-GLS</b>	32
S.S.304	<b>ABS1U-GLS</b>	30
Glass Thickness : 12 to 17.52		

**Top Mounted Square Short Baluster with Glass Bracket**

Grade	Code	Base Plate
S.S.316	<b>DT32-GLS</b>	S.S.316
S.S.304	<b>ABT242-GLS</b>	S.S.202
Glass Thickness : 12 to 17.52		

Available Finishes

Satin	Glossy
✓	

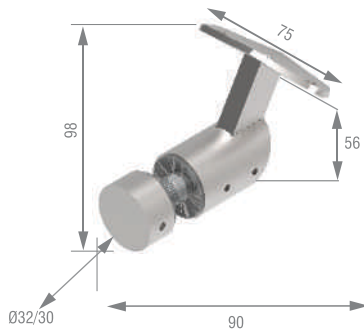
All sizes are mentioned in mm

Corrosion Resistance

Look for **KIEH** Logo on each product.

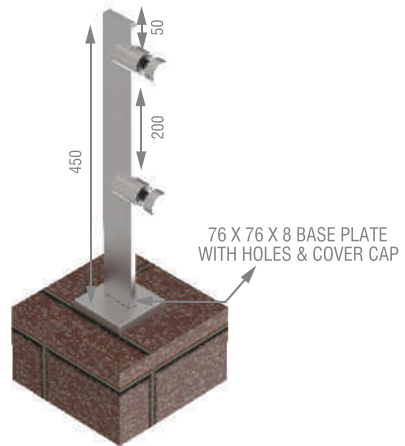


Top Mounted Flat (Short) Baluster System With Glass - 10x50x450mm (DT55-1-GLS)



**Top Bracket to Hold Glass**

Grade	Code	End Cap Ø
S.S.316	DT1U-GLS	32
S.S.304	ABSTU-GLS	30
Glass Thickness : 12 to 17.52		



**Top Mounted Flat Short Baluster with Glass Bracket**

Grade	Code	Base Plate
S.S.316	DT55-GLS	S.S.316
S.S.304	ABT265-GLS	S.S.202
Glass Thickness : 12 to 17.52		

Available Finishes

Satin	Glossy
✓	

All sizes are mentioned in mm

Corrosion Resistance

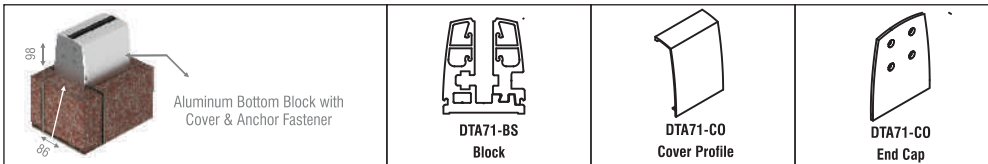
Look for **KIEH** Logo on each product.



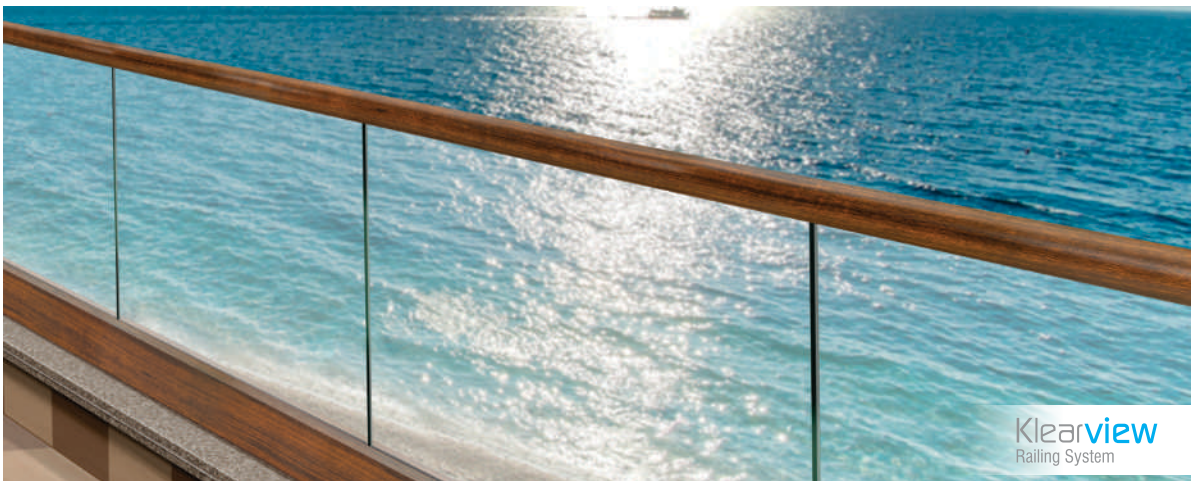
Top Mounted Aluminum Channel System - Aluminum Finish (DTA71-GLS) (Block Cover System)

<b>Silver Finish Powder Coating</b>	<b>Grey Metallic Finish Powder Coating</b>
On Standard Qty Order	On Standard Qty Order

Available Length of Channel & Handrail : 16 ft



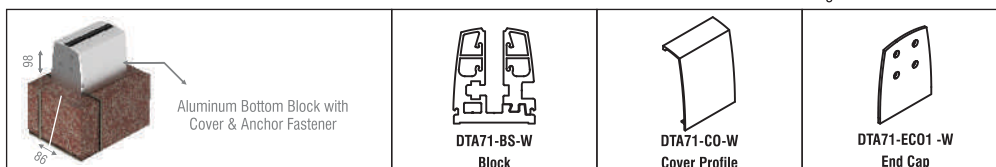
Glass Thickness : 12 to 13.52



Top Mounted Aluminum Channel System - Wooden Finish (DTA71-GLS-W) (Block Cover System)

<b>Silver Finish Powder Coating</b>	<b>Grey Metallic Finish Powder Coating</b>
On Standard Qty Order	On Standard Qty Order

Available Length of Channel & Handrail : 16 ft



Glass Thickness : 12 to 13.52

All sizes are mentioned in mm

Corrosion Resistance

Look for **KIEH** Logo on each product.

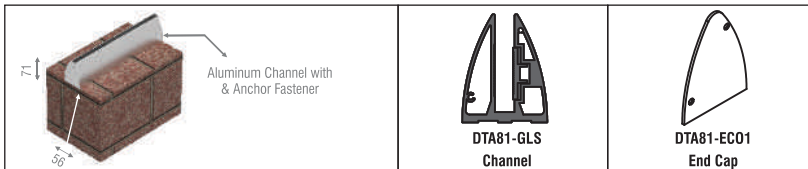


**Klearview**  
Railing System

**Top Mounted Oval Shape Continue Aluminum Channel System (DTA81-GLS) (Continue System)**

Silver Finish Powder Coating	Grey Metallic Finish Powder Coating
On Standard Qty Order	On Special Qty Order

Available Length of Channel & Handrail : 16 ft



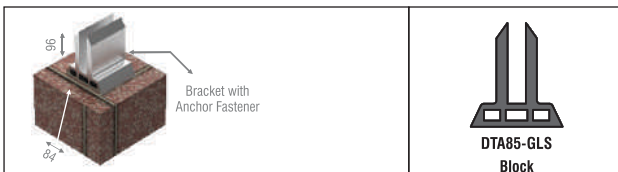
Glass Thickness : 12



**Klearview**  
Railing System

**Top Mounted Flat Block Aluminum System (DTA85-GLS) (Block System)**

Silver Finish Powder Coating	Grey Metallic Finish Powder Coating
On Standard Qty Order	On Standard Qty Order



Glass Thickness : 12

All sizes are mentioned in mm

 Corrosion Resistance

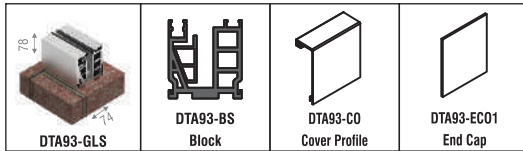


**Klearview**  
Railing System

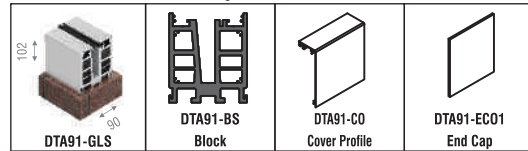
**Top Mounted Rectangle Aluminum System DTA93-GLS / DTA91-GLS (Block Cover System)**

Silver Finish Powder Coating	Grey Metallic Finish Powder Coating
On Standard Qty Order	On Special Qty Order

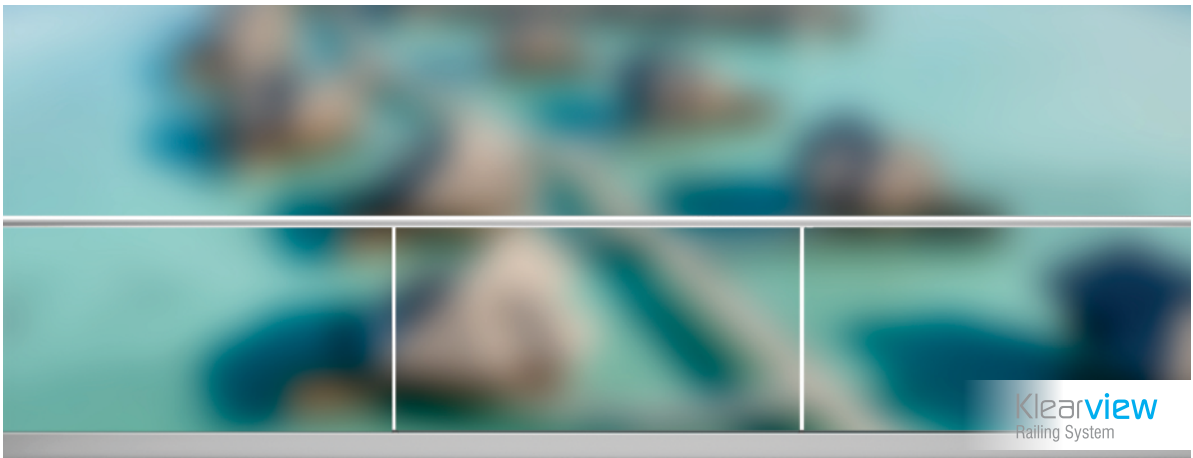
Available Length of Channel & Handrail : 16 ft



Glass Thickness : 12 to 13.52



Glass Thickness : 12 to 13.52

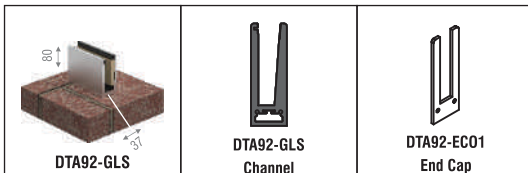


**Klearview**  
Railing System

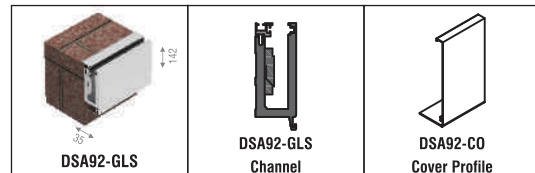
**Top Mounted Solid Aluminum System DTA92-GLS (Continue System) / DSA92-GLS (Block Cover System)**

Silver Finish Powder Coating	Grey Metallic Finish Powder Coating
On Special Qty Order	On Special Qty Order

Available Length of Channel & Handrail : 16 ft



Glass Thickness : 12 to 17.52

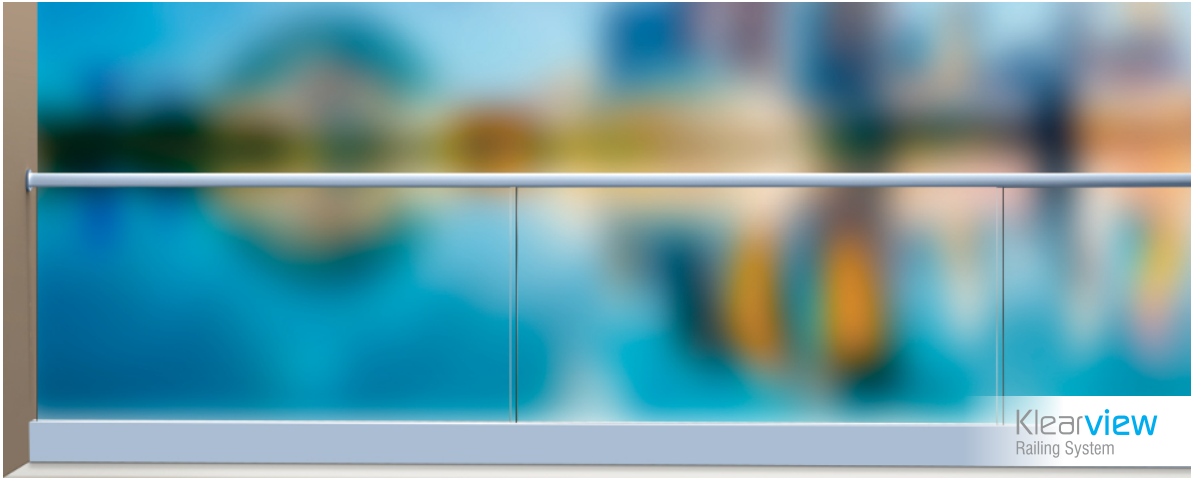


Glass Thickness : 12 to 17.52

All sizes are mentioned in mm

Corrosion Resistance



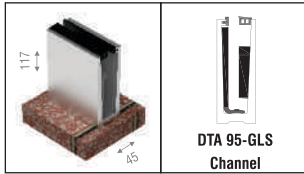


Klearview  
Railing System

**Top Mounted Solid Aluminum System DTA95-GLS (Continue System)**

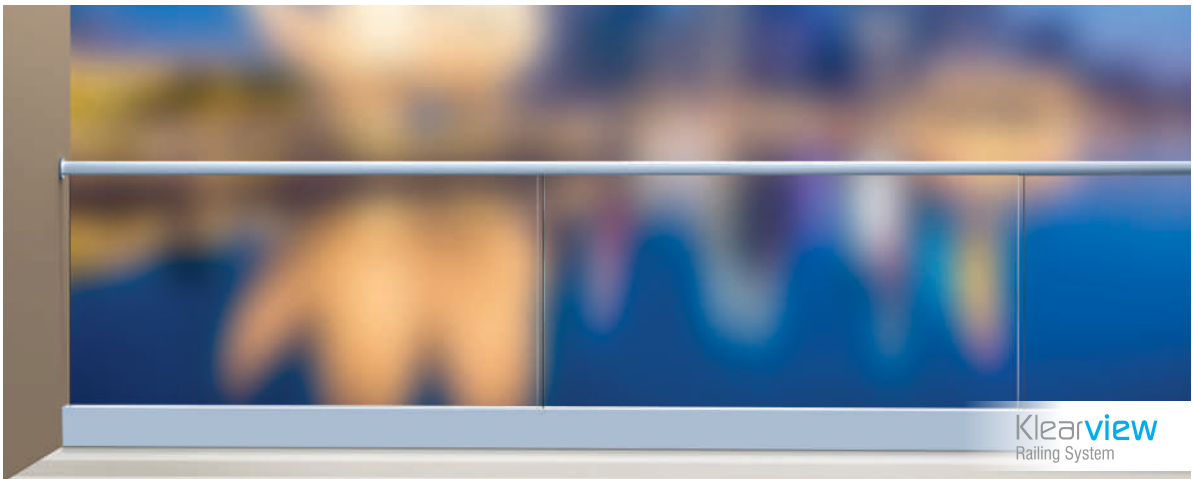
<b>Silver Finish Powder Coating</b>	<b>Grey Metallic Finish Powder Coating</b>
On Standard Qty Order	On Special Qty Order

Available Length of Channel & Handrail : 16 ft



**DTA 95-GLS  
Channel**

Glass Thickness : 12 to 17.52

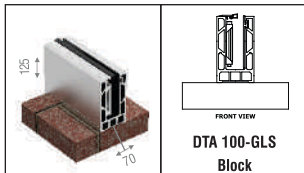


Klearview  
Railing System

**Top Mounted Hollow Aluminum System DTA100-GLS (Continue System)**

<b>Silver Finish Powder Coating</b>	<b>Grey Metallic Finish Powder Coating</b>
On Special Qty Order	On Special Qty Order

Available Length of Channel & Handrail : 12 ft



**DTA 100-GLS  
Block**





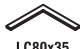

Glass Thickness : 12 to 17.52

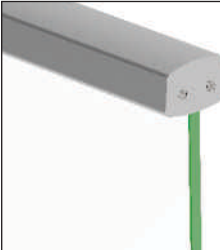


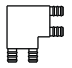



All sizes are mentioned in mm



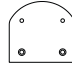

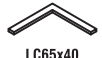

 Corrosion Resistance

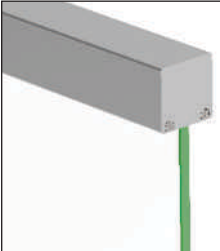




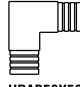
Look for **KIEH** Logo on each product.

## Available Variants of Handrails

	 <b>HRT80x35</b> Handrail	 <b>WC80x35</b> Wall Cap	 <b>EC80x35</b> End Cap				
	 <b>LC80x35</b> 90° Connector	 <b>SC80x35</b> 180° Connector					
<b>Taper Handrail - 80x35mm</b> <b>HRT80x35</b>		<table border="1"> <tr> <td><b>Silver Finish Powder Coating</b></td> <td><b>Grey Metallic Finish Powder Coating</b></td> </tr> <tr> <td>On Standard Quantity Order</td> <td>On Special Quantity Order</td> </tr> </table>		<b>Silver Finish Powder Coating</b>	<b>Grey Metallic Finish Powder Coating</b>	On Standard Quantity Order	On Special Quantity Order
<b>Silver Finish Powder Coating</b>	<b>Grey Metallic Finish Powder Coating</b>						
On Standard Quantity Order	On Special Quantity Order						

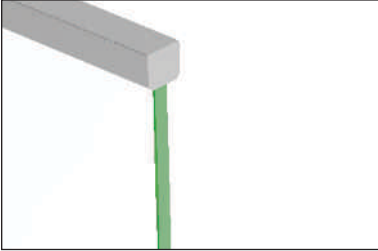
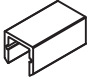


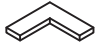

	 <b>HRA64x44</b> Handrail	 <b>WC64x44</b> Wall Cap	 <b>HRAB64X44</b> 90° Bend				
	 <b>EC64x44</b> END CAP	 <b>SC64x44</b> 180° Connector					
<b>Rectangle Handrail - 64x44mm</b> <b>HRA64x44</b>		<table border="1"> <tr> <td><b>Silver Finish Powder Coating</b></td> <td><b>Grey Metallic Finish Powder Coating</b></td> </tr> <tr> <td>On Standard Quantity Order</td> <td>On Special Quantity Order</td> </tr> </table>		<b>Silver Finish Powder Coating</b>	<b>Grey Metallic Finish Powder Coating</b>	On Standard Quantity Order	On Special Quantity Order
<b>Silver Finish Powder Coating</b>	<b>Grey Metallic Finish Powder Coating</b>						
On Standard Quantity Order	On Special Quantity Order						





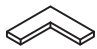

	 <b>HRO65x40</b> Handrail	 <b>WC65x40</b> Wall Cap	 <b>EC65x40</b> End Cap				
	 <b>LC65x40</b> 90° Connector	 <b>SC65x40</b> 180° Connector					
<b>Oval Handrail - 65x40mm</b> <b>HRO65x40</b>		<table border="1"> <tr> <td><b>Silver Finish Powder Coating</b></td> <td><b>Grey Metallic Finish Powder Coating</b></td> </tr> <tr> <td>On Standard Quantity Order</td> <td>On Special Quantity Order</td> </tr> </table>		<b>Silver Finish Powder Coating</b>	<b>Grey Metallic Finish Powder Coating</b>	On Standard Quantity Order	On Special Quantity Order
<b>Silver Finish Powder Coating</b>	<b>Grey Metallic Finish Powder Coating</b>						
On Standard Quantity Order	On Special Quantity Order						







	 <b>HRA50x50</b> Handrail	 <b>WC50x50</b> Wall Cap	 <b>EC50x50</b> End Cap				
	 <b>SC50x50</b> 180° Connector	 <b>HRAB50X50</b> 90° Bend					
<b>Square Handrail - 50x50mm</b> <b>HRA50x50</b>		<table border="1"> <tr> <td><b>Silver Finish Powder Coating</b></td> <td><b>Grey Metallic Finish Powder Coating</b></td> </tr> <tr> <td>On Standard Quantity Order</td> <td>On Special Quantity Order</td> </tr> </table>		<b>Silver Finish Powder Coating</b>	<b>Grey Metallic Finish Powder Coating</b>	On Standard Quantity Order	On Special Quantity Order
<b>Silver Finish Powder Coating</b>	<b>Grey Metallic Finish Powder Coating</b>						
On Standard Quantity Order	On Special Quantity Order						

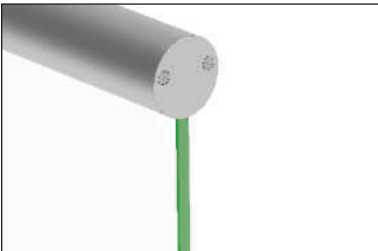





Note: Available Handrail size : 16 ft • Glass Thickness : 12 to 17.52mm

## Available Variants of Handrails

	 <b>UCA27x25</b> Handrail	 <b>WC27x25</b> Wall Cap	 <b>EC27x25</b> End Cap
	 <b>LC27x25</b> 90° Connector	 <b>SC27x25</b> 180° Connector	
<b>U Channel - 27x25mm UCA27x25</b>		<b>Silver Finish Powder Coating</b> On Standard Quantity Order	<b>Grey Metallic Finish Powder Coating</b> On Special Quantity Order

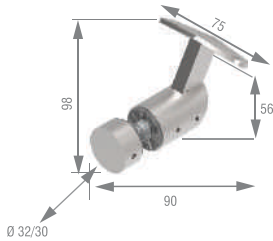
	 <b>UCA35x25</b> Handrail	 <b>WC35x25</b> Wall Cap	 <b>EC35x25</b> End Cap
	 <b>LC35x25</b> 90° Connector	 <b>SC35x25</b> 180° Connector	
<b>U Channel - 35x25mm UCA35x25</b>		<b>Silver Finish Powder Coating</b> On Standard Quantity Order	<b>Grey Metallic Finish Powder Coating</b> On Special Quantity Order

	 <b>HRA42</b> Handrail	 <b>WC42</b> Wall Cap	 <b>EC42</b> End Cap
	 <b>LC42</b> 90° Connector	 <b>SC42</b> 180° Connector	
<b>Round Handrail - 42mm HRA42</b>		<b>Silver Finish Powder Coating</b> On Standard Quantity Order	<b>Grey Metallic Finish Powder Coating</b> On Standard Quantity Order

	 <b>HRA50</b> Handrail	 <b>WC50</b> Wall Cap	 <b>EC50</b> End Cap
	 <b>SC50</b> 180° Connector	 <b>HRAB50</b> 90° Bend	
<b>Round Handrail - 50mm HRA50</b>		<b>Silver Finish Powder Coating</b> On Standard Quantity Order	<b>Grey Metallic Finish Powder Coating</b> On Standard Quantity Order

Note: Available Handrail size : 16 ft • Glass Thickness : 12 to 17.52mm

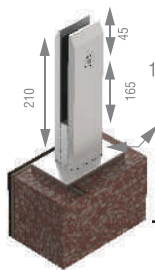
## ELITE SERIES - Premium Range Products



**Top Bracket to Hold Glass**

Grade	Code	End Cap Ø
S.S.316	PDS1U- GLS	32
S.S.304	-	-

Glass Thickness : 12 to 17.52

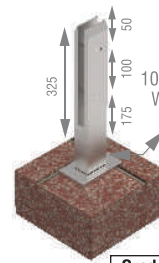


100 X 60 X 8 BASE PLATE WITH HOLES & COVER CAP

**Top Mounted Flat Short Bracket**

Grade	Code	Base Plate
S.S.316	PDT2- GLS	S.S.316
S.S.304	-	-

Glass Thickness : 12

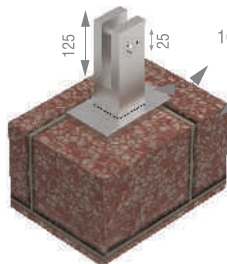


100 X 60 X 8 BASE PLATE WITH HOLES & COVER CAP

**Top Mounted Flat Short Bracket**

Grade	Code	Base Plate
S.S.316	PDT5- GLS	S.S.316
S.S.304	-	-

Glass Thickness : 12



100 X 60 X 8MM BASE PLATE WITH HOLES & COVER CAP

**Top Mounted Flat Short Bracket**

Grade	Code	Base Plate
S.S.316	PDT4- GLS	S.S.316
S.S.304	-	-

Glass Thickness : 12

Available PVD Finishes



Available Finishes

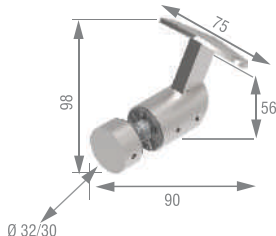
Satin	Glossy
✓	

All sizes are mentioned in mm

Corrosion Resistance

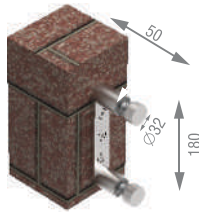
Look for **KICH** Logo on each product.

## ELITE SERIES - Premium Range Products



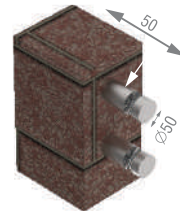
**Top Bracket to Hold Glass**

Grade	Code	End Cap Ø
S.S.316	PDS1U- GLS	32
S.S.304	-	-
Glass Thickness : 12 to 17.52		



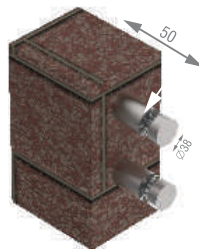
**Side Glass Bracket**

Grade	Code	Base Plate
S.S.316	PDS1- GLS	-
S.S.304	-	-
Glass Thickness : 12 to 17.52		



**Glass Spacer**

Grade	Code	Base Plate
S.S.316	PDS2- GLS	-
S.S.304	-	-
Glass Thickness : 12 to 17.52		



**Glass Spacer**

Grade	Code	Base Plate
S.S.316	PDS3- GLS	-
S.S.304	-	-
Glass Thickness : 12 to 17.52		

All sizes are mentioned in mm

 Corrosion Resistance

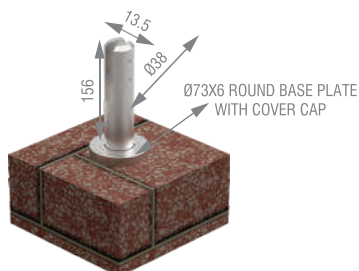
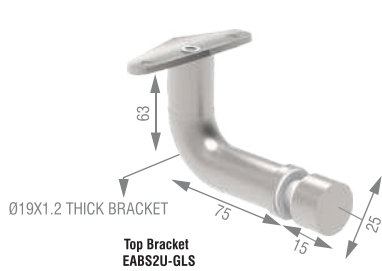


Available Finishes

Satin	Glossy
✓	

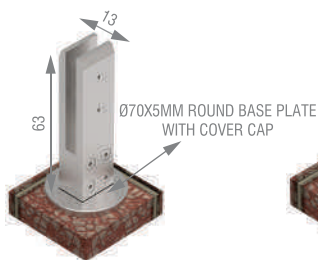
Look for **KICH** Logo on each product.

## Eco Series - S.S.304 Economy Products



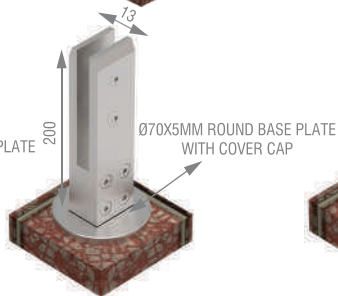
**Top Mounted Round Short Bracket**

Grade	Code	Base Plate
S.S.316	-	-
S.S.304	<b>EABT224-GLS</b>	S.S. 304
Glass Thickness : 12		



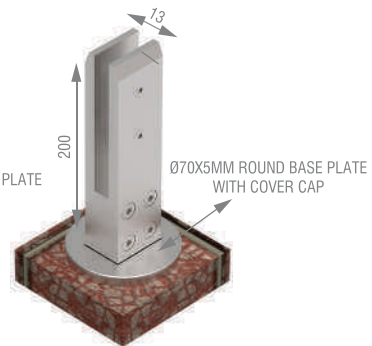
**Top Mounted Flat Short Bracket**

Grade	Code	Base Plate
S.S.316	-	-
S.S.304	<b>EABT6-GLS</b>	S.S. 304
Glass Thickness : 12		



**Top Mounted Flat Short Bracket**

Grade	Code	Base Plate
S.S.316	-	-
S.S.304	<b>EABT7-GLS</b>	S.S. 304
Glass Thickness : 12		



**Top Mounted Flat Short Bracket**

Grade	Code	Base Plate
S.S.316	-	-
S.S.304	<b>EABT8-GLS</b>	S.S. 304
Glass Thickness : 12		

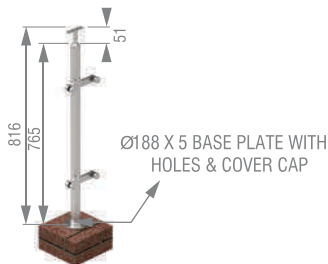
Available Finishes

Satin	Glossy
✓	

All sizes are mentioned in mm

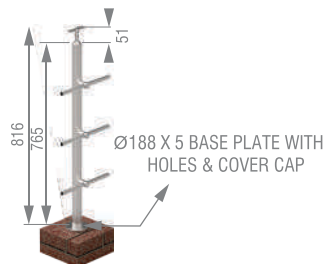
Corrosion Resistance

## Eco Series - S.S.304 Economy Products



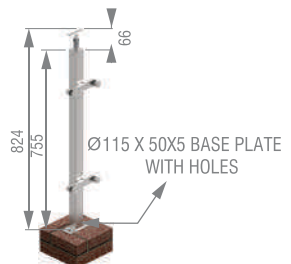
**Top Mounted Round Balusters with Double Glass Bracket**

Grade	Code	Base Plate
S.S.316	-	-
S.S.304	<b>EABT221-1-DGLS</b>	S.S. 202
Glass Thickness : 12 to 17.52		



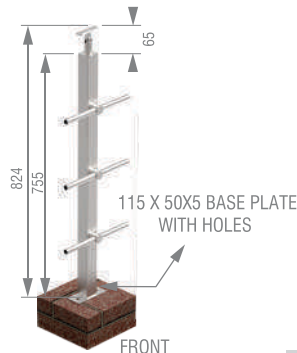
**Top Mounted Square Balusters with Horizontal Members**

Grade	Code	Base Plate	Horizontal Members Pipe Thickness
S.S.316	-	-	1.5
S.S.304	<b>EABT221-1-163</b>	S.S. 202	
Horizontal Members : Ø16/19mm			



**Top Mounted Square Balusters with Double Glass Horizontal Members**

Grade	Code	Base Plate
S.S.316	-	-
S.S.304	<b>EABT241-1-DGLS</b>	S.S. 304
Glass Thickness : 12 to 17.52		



**Top Mounted Square Balusters with Horizontal Members**

Grade	Code	Base Plate	Horizontal Members Pipe Thickness
S.S.316	-	-	1.5
S.S.304	<b>EABT241-1-163</b>	S.S. 304	1.2
Horizontal Members : Ø16/19mm			

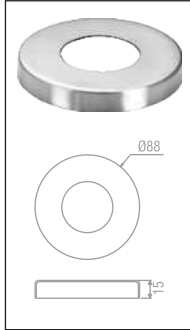
Available Finishes	
Satin	Glossy
✓	

All sizes are mentioned in mm

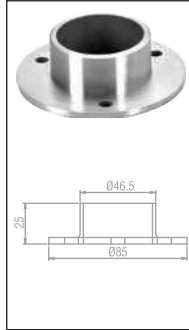
Corrosion Resistance

Look for **KICH** Logo on each product.

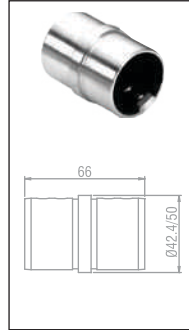
## Handrail Accessories



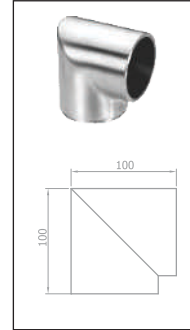
**MWCC-42.4/50 (S.S.316)**  
**AMWCC-42.4/50 (S.S.304)**  
Wall Cover Cap



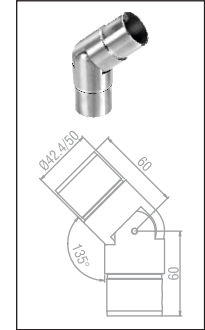
**MWFHR-42.4 (S.S.316)**  
**AMWFHR-42.4 (S.S.304)**  
Wall Flange for Handrail



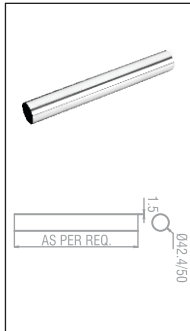
**MPCHR-42.4/50 (S.S.316)**  
**AMPCHR-42.4/50 (S.S.304)**  
Two Pipe Connector



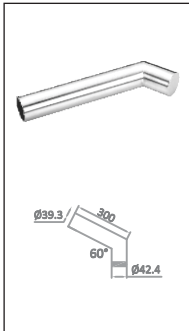
**M90HRB-42.4/50 (S.S.316)**  
**AM90HRB-42.4/50 (S.S.304)**  
90 Degree Bend for Handrail



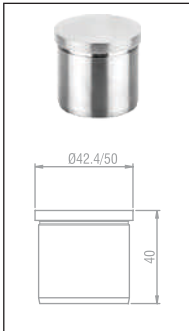
**MBHRS-42.4/50 (S.S.316)**  
**AMBHRS-42.4/50 (S.S.304)**  
Smooth Bend for Handrail



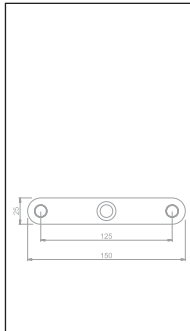
**MRP-42.4/50 (S.S.316)**  
Metal Thickness 1.5mm  
**AMRP-42.4/50 (S.S.304)**  
Metal Thickness 1.2mm  
Round Pipe for Handrail (12ft)



**MSB-42.4/50 (S.S.316)**  
**AMSB-42.4/50 (S.S.304)**  
Starting Pipe for Handrail



**MECHR-42.4/50 (S.S.316)**  
**AMECHR-42.4/50 (S.S.304)**  
Handrail End cap

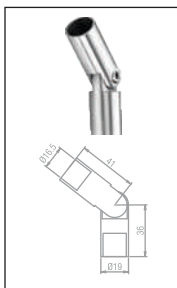


**DGLS (S.S.316)**  
**ADGLS (S.S.304)**  
Double Glass Bracket

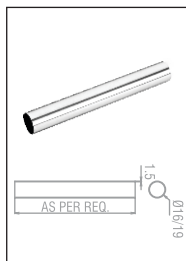


**HRD-M10x100**  
(GI) Anchor Bolt

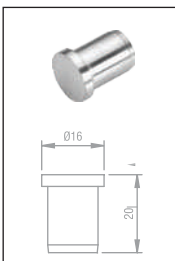
## Horizontal Members Accessories



**MFBHM-16/19**  
**AMFBHM-16/19**  
Flexible Bend



**MRP-16/19 (S.S.316)**  
Metal Thickness 1.5mm  
**AMRP-16/19 (S.S.304)**  
Metal Thickness 1.2mm  
Round Pipe for Horizontal Member (12ft)



**MECHM-16/19**  
**AMECHM-16/19**  
End Cap



**MPCHM-16/19**  
**AMPCHM-16/19**  
Two Pipe Connector



**LOCTITE**

Note: All drawings are given accordingly  $\varnothing$  42.4 Handrail and 16mm Horizontal



## Tailor Made Railing System



**Feasibility depend on Bulk Qty only**

## Few of Our Prestigious Projects



Kartarpur Corridor - Gurdaspur



Reliance Twin Tower - Mumbai



L&T Crescent Bay - Mumbai



NRDA (Naya Raipur Development Authority) - Raipur



Vadodra International Airport - Vadodra



Acropolis Mall - Kolkata



HCL - Chennai



JW Marriott Hotel - Kolkata



IIM - Raipur



Parliament House - Delhi



Tata Consultancy Services - Trivandrum



Indira Gandhi Medical College - Shimla



BJP Headquarter, Central office-Delhi



Nalanda University-Nalanda



Pragati Maidan - Delhi



JSCA International Stadium Complex-Ranchi



Zydus Hospital - Ahmedabad



Sabarmati Riverfront - Ahmedabad



Gujarat Vidhan Sabha (Sachivalaya) - Gandhinagar



Police Bhawan - Lucknow



IDA-Indore Development Authority - Indore



IIT - Gandhinagar



Rajkot Bus Port

## Few of Our Prestigious Overseas Projects



Customs House (Mauritius)



Naguru Skyz (Uganda)



Dar-es-salaam International Airport (Tanzania)



Seychelles International Airport (Seychelles)

## Features



Weld-free complete modular system



Quality and Cost conscious systems compared to on-site fabrication.



Minimal Maintenance



Aesthetically appealing due to non-corrosive stainless steel.



1.5mm Metal Thickness



Stainless Steel is the best value option as it is "green material".



HILTI (GI) Anchor Bolt for better strength



Adapts well to strict Hygiene requirements of hospitals, laboratories etc

## Our Esteemed Clients



**KICH<sup>®</sup>**  
**STEEL... FOR LIFE**

**Kich Architectural Products Pvt. Ltd.**  
 Rajkot - Gondal NH - 27, Vavdi, Rajkot - 360 004 (Gujarat), India.  
 Tel : +91-74900 39316/17, E-mail : sales@kichindia.com  
**www.kichrailing.com Helpline : +91 99795 10898**  
**Customer Care - E-mail : railing@kichindia.com**

Follow us on :      

**Disclaimer:**  
 The Visuals/Specification / drawings of the products shown and other information in this catalogue are subject to change and Kich reserves the right to make such amendments without notice.

Scan to Get KICH mobile app  
 or download from



Available on the  
 Google play

Available on the  
 App Store

Hardware Products | Glass Fitting | Furniture Fitting | Bathroom Accessories | Railing System | Digital Safe