



# Keor T

**EN** ENGLISH

6



## Important Notices!

Thank you for choosing LEGRAND UPS System to supply your Critical Application.

This manual contains important information about commissioning, usage and technical properties of the UPS. It also contains safety information for operator and instructions to secure your critical load. Applying the recommendation detailed in this manual is necessary to use UPS safely and correctly.



Read the manual completely before working on this equipment!



Keep this manual in UPS's front cover's pocket for easy consultation!



Reproduction, adaptation, or translation of this manual is prohibited without prior written permission of LEGRAND Company, except as allowed under the copyright laws.



The manufacturer reserves the rights to change the technical specifications and design without notice.



LEGRAND reserves the rights to change the information in this document without notice.  
Refer to <http://ups.legrand.com/> web site to download last release and translations.

Units that are labelled with a CE mark comply with the Standard: EN 62040-1 and EN 62040-2.



## Description of the Symbols Used in the Manual



This symbol points out the instructions which are especially important.



This symbol points out the risk of electric shock if the following instruction is not followed.



This symbol points out the instructions, which may result with injury of the operator or damage of the equipment if not followed.



All packing material must be recycled in compliance with the laws in force in the country where the system is installed.

## Description of the Abbreviations Used in the Guide

UPS: Uninterruptible Power Supply

ESD: Emergency Switching Device

RS232: Serial Communication Protocol

RS485: Serial Communication Protocol

MODBUS: Modicon Communication Protocol

SNMP: Simple Network Management Protocol

V: Volt

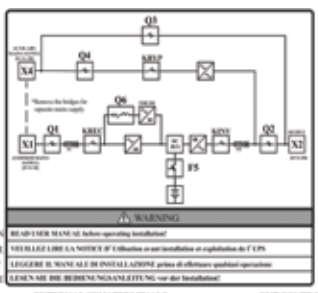
A: Ampere

P: Power

For Mains Supply, Auxiliary Mains Supply, Output, Battery Circuit Breaker and Maintenance Bypass Circuit Breaker;

“ON”: Closing the Circuit

“OFF”: Opening the Circuit



**WARNING**

EN: SEE INSTALLATION MANUAL BEFORE CONNECTING.

FR: VOIR LA NOTICE D'INSTALLATION AVANT DE RACCORDER.

IT: LEGGERE IL MANUALE DI INSTALLAZIONE PRIMA DI COLLEGARE I UPS.

DE: LESEN SIE DIE BEDIENUNGSANLEITUNG VOR DER INSTALLATION!

EXTERNAL SERV. TERMINALS

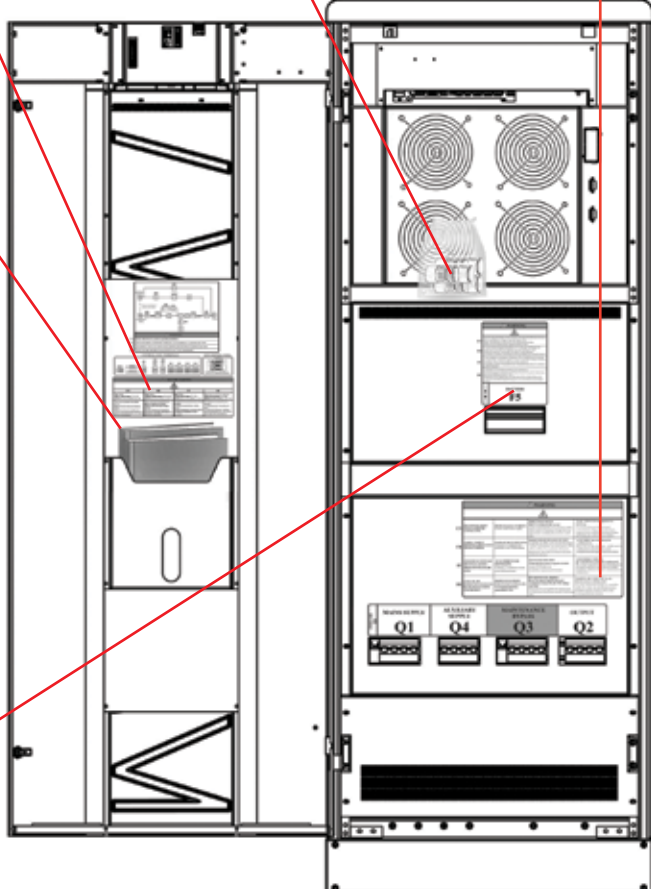
EXT. CONTROL TERM.

**BATTERY WARNING**

EN	FR	IT	DE
Super-VOLTA, Battery Warning Voltage: 72V ± 0.5V, Battery: 20 Ah (20°C) NiMH, Full 100%	Super-VOLTA, Batterie-Warnspannung: 72V ± 0,5V, Batterie: 20 Ah (20°C) NiMH, Full 100%	Super-VOLTA, Batteriewarnspannung: 72V ± 0,5V, Batterie: 20 Ah (20°C) NiMH, Full 100%	Super-VOLTA, Batteriewarnspannung: 72V ± 0,5V, Batterie: 20 Ah (20°C) NiMH, Full 100%
1. Risk of electrical shock may happen. 2. Risk of electrical shock and chemical hazard. 3. Risk of explosion, handling and disposal operations (battery disposal) must be performed in accordance with the applicable regulations.	1. Risque de choc électrique. 2. Risque de choc électrique et d'accident chimique. 3. Risque d'explosion, manipulation et opérations de traitement des déchets (gestion des déchets de batterie) doivent être effectués conformément aux réglementations applicables.	1. Pericolo di scossa elettrica. 2. Pericolo di scossa elettrica e di incidente chimico. 3. Pericolo di esplosione, manipolazione e operazioni di smaltimento (smaltimento della batteria) deve essere eseguito secondo le normative applicabili.	1. Gefahr durch elektrischen Schlag. 2. Gefahr durch elektrischen Schlag und chemische Gefahr. 3. Gefahr durch Explosion, Handhabung und Entsorgung (Entsorgung der Batterie) muss gemäß den geltenden Vorschriften durchgeführt werden.

WARNING				
⚡				
EN	SEE INSTALLATION MANUAL BEFORE CONNECTING.	HIGH LEAKAGE CURRENT Connect earth before supply.	RISK OF BACKFEED Before working on this circuit isolate Uninterruptible Power System (UPS). Then check for Hazardous Voltage between all terminals including the protective earth (PE).	WAIT 5 MINUTES for capacitors to discharge. To avoid an electrical shock hazard verify that the voltage on the electrolytic capacitors has completely discharged before performing any work on power module.
FR	VOIR LA NOTICE D'INSTALLATION AVANT DE RACCORDER.	COURANT DE FUITE ELEVE Connecter le conducteur de protection avant l'alimentation.	RISQUE DE RETOUR DE TENSION Avant de travailler sur le circuit électrique - Isoler l'alimentation sans interruption (ASI) - Puis vérifier s'il y a présence de tension dangereuse entre toutes les bornes incluant la connexion de terre.	ATTENDRE 5min la décharge des condensateurs. Pour éviter un choc électrique, vérifiez que les condensateurs électrolytiques soient complètement déchargés avant intervention.
IT	LEGGERE IL MANUALE DI INSTALLAZIONE PRIMA DI COLLEGARE I UPS.	ALTA CORRENTE DI DISPERSIONE Collegare il conduttore di terra prima dell'accensione.	BACK FEED RISCHIO Prima di intervenire su questo circuito isolare l'UPS dalla rete. Controllare la presenza di tensioni	ATTENDERE 5 MINUTI per consentire la scarica dei condensatori. Per evitare il pericolo di scosse elettriche prima di eseguire qualsiasi operazione sul modulo di potenza verificare che non vi sia tensione sui condensatori.
DE	LESEN SIE DIE BEDIENUNGSANLEITUNG VOR DER INSTALLATION!	HOHER LECKSTROM. Erdnen Sie das Gerät bevor die Versorgungsspannung zugeschaltet wird.	RÜCKSPANNUNG RISIKO Bevor Sie einen Eingriff am Gerät vornehmen trennen Sie die USV-Anlage vom Netz. Überprüfen Sie auf gefährliche Spannungen zwischen den Anschlüssen und der Schutzerde (PE).	WARTEN SIE 5 MINUTEN bis die Kondensatoren entladen sind. Um einen elektrischen Schlag zu vermeiden stellen Sie sicher, dass die Kondensatoren komplett entladen sind bevor Sie an der Leistungselektronik arbeiten.

Battery Fast Fuses



Installation & Operating Manuals

**WARNING**

⚡

EN

- Do not close the battery circuit breaker (F5) until the difference between DC bus and Battery voltages decreases below 10V. Check measurement on the LCD in the Measurement menu.
- Refer to user manual before replacing battery fuses.

FR

- Ne pas fermer la protection batterie ( F5 ) tant que la différence de tension entre le bus DC et la Batterie n'est pas inférieure à 10V. Vérifiez les mesures sur l'écran LCD dans le menu Mesures.
- Se référer à la notice d'utilisation avant de remplacer les fusibles batterie.

IT

- Non chiudere il sezionatore di batteria, (F5) se la differenza di tensione tra la barra DC e le batterie supera i 10 Vdc. Controllare sempre le tensioni sul display (menu misure) prima di eseguire manovre.
- Consultare sempre il manuale di uso e manutenzione prima di sostituire i fusibili di batteria.

DE

- Schließen Sie den Batterieschalter (F5) nicht bevor Gleichspannungszwischenkreis und Batteriesystem die gleiche Spannung aufweisen (Differenz kleiner 10V). Überprüfen Sie die Spannung mit Hilfe des LCD im Menü Messwerte.
- Lesen Sie die Bedienungsanleitung bevor Sie die Batteriesicherungen ersetzen.

ON

↑

↓

OFF

BATTERY  
F5

5

## INDEX

<b>1. FOREWORD</b>	<b>7</b>
1.1. Overview	7
1.2. Manual	7
<b>2. WARRANTY</b>	<b>9</b>
2.1. Terms of Warranty	9
2.2. Out of Warranty Terms and Conditions	9
<b>3. SAFETY</b>	<b>10</b>
3.1. Description of the Symbols Used on the Labels Applied to the UPS	10
3.2. Individual Protective Gear	10
3.3. Important Notice for UPS	11
3.4. Important Notice for Battery	12
3.5. Emergency interventions	12
<b>4. REQUIREMENT</b>	<b>13</b>
4.1. Transportation	13
4.2. Placement	13
4.3. Storage	15
4.4. Electrical Requisites	15
<b>5. INSTALLATION</b>	<b>18</b>
5.1. Models and Dimensions	18
5.2. Unpacking Procedure	19
5.3. Installation Procedures and Instructions	20
5.3.1. Power Connections of Single Systems	21
5.3.2. Power Connections of Parallel Systems	37
<b>6. COMMUNICATION</b>	<b>39</b>
6.1. Serial Communication (RS232)	40
6.2. Internal SNMP Communication	41
6.3. Emergency Switching Device and Generator Connections	42
6.4. Dry Contacts	43
6.5. RS485	44
Appendix-1: Technical Specifications	45
Appendix-2: Modbus List	47
Appendix-3: Description of UPS and Block Diagram	49

## 1. FOREWORD

### 1.1. Overview

Thank you for choosing LEGRAND UPS Keor T product.

KEOR T has been designed with advanced technologies and the latest components generation; realized to satisfy both users and installers in their operational needs of high availability and performance.

This UPS aims to be efficient, functional, safe and very easy to install and use. LEGRAND has studied the best way to reconcile high-tech performance and ease of use, making "user friendly" technologically advanced products.

KEOR T supplies maximum protection and power quality for any type of IT load, tertiary application, lighting or building. Furthermore, standards deployed by Legrand for R&D, supplier selection and manufacturing comply with the highest quality standards. This product is manufactured in an ISO 9001 & ISO 14001 certified factory in full compliance with the eco-design laws. The UPS Keor T system is made in compliance with the existing European Community directives and with the technical standards in force to comply with CE marking as certified by the Declaration of Conformity issued by the Manufacturer.

### Technology & Architecture

A special feature of Keor T is Online Double Conversion Operation (VFI-SS-111 as defined by the reference standard EN 62040-3) based on the capacity to supply a voltage that is perfectly stabilized in frequency and amplitude, even in event of extreme alterations of mains power supply.

The 3-Level Switching Technology used in this product is the latest solution to provide high energy efficiency even with low load conditions.

The energy efficiency performance of Keor T surpasses the minimum requirements defined by the Code of Conduct on Energy efficiency and Quality of European of AC UPS defined by EC.

KEOR T represents the best solution combining high performance, low management costs and ease of operation and maintenance:

- Dual Input
- User friendly touch screen design
- UPS via LED bar (with traffic light coding) gives an immediate diagnosis of the system under any conditions.
- Internal Battery option as well as wide range external battery cabinets.
- Isolation transformer can be mounted inside UPS cabinet upon request.
- Integrated Maintenance Bypass
- Parallelable to increase the power
- Availability of different communication types

### 1.2. Manual

- The purpose of this manual is to provide indications for using the equipment safely and to carry out first level of troubleshooting.
- This manual is addressed to persons already educated on precautions to adopt in face of electrical hazard
- This manual is addressed to "User", generic term to identify all persons that will have the need and / or obligation to provide instructions or operate directly this UPS equipment
- Adjustments, preventive and curative maintenance jobs are not dealt with in this manual as they are reserved exclusively to skilled and authorized Legrand UPS Technical Service Engineers.
- The intended use and configurations envisaged for the equipment are the only ones allowed by the Manufacturer; do not attempt to use the equipment in disagreement with the indications given. Any other use or configuration must be agreed and written by the Manufacturer, in such a case, will be an enclosure to the manual.
- For its use the user must also comply with the specific laws in force that exist in the country where the equipment

is installed. Reference is also made in this manual to laws, directives, etc., that the user must know and consult in order to fulfil the purposes established by the manual.

- If information is exchanged with the Manufacturer or assistance personnel authorized by the former, please refer to the equipment's rating plate data and serial number.
- The manual must be kept for the equipment's useful life cycle and, if necessary (e.g. damage which prevents it being consulted even partially) the user must ask the Manufacturer for a new copy, quoting the publishing code on the cover.
- The manual reflects the state of the art at the moment the equipment was put on the market, of which it is an integral part. The publication complies with the directives in force at such a date. The manual cannot be considered inadequate if updates of standards or changes are made to the equipment.
- Any integration to the manual which the Manufacturer deems fitting to send to the users must be kept with the manual, becoming an integral part of it.
- The Manufacturer is available to its clientele to provide additional information and will take into consideration any suggestions made to improve this manual to bring it even closer to the requirements for which it was drawn up.
- If the equipment is sold, which always includes handing over this operating manual, the primary user must notify the Manufacturer, giving him the address of the new user so the latter can be reached if there are any communications and/or updates deemed indispensable.



Read the manual completely before working on this equipment!



Keep this manual in UPS's front cover's pocket for easy consultation!



Reproduction, adaptation, or translation of this manual is prohibited without prior written permission of LEGRAND Company, except as allowed under the copyright laws.



The manufacturer reserves the rights to change the technical specifications and design without notice.



LEGRAND reserves the rights to change the information in this document without notice. Refer to <http://ups.legrand.com/> web site to download last release and translations.

Units that are labelled with a CE mark comply with the Standard: EN 62040-1 and EN 62040-2.





## 2. WARRANTY

### 2.1. Terms of Warranty

- Warranty is defined by General Conditions of Sale and Delivery.
- The UPS including all the internal parts is under the warranty of LEGRAND.
- If the UPS malfunctions because of component, manufacturing or installation (if it's done by authorized LEGRAND UPS Technical Service Personnel) problems during the warranty period, the UPS will be repaired (spares and labour) by the Manufacturer under warranty.

### 2.2. Out of Warranty Terms and Conditions

This Warranty does not apply if:

- UPS not commissioned or maintained by an authorized LEGRAND UPS Technical Service staff or an authorized LEGRAND distributor Technical Service staff
- UPS not used according the terms of operating and installation manual
- Product serial number label has been removed or lost

This Warranty does not cover any defects or damages caused by:

- Neglect, accident, misuse, misapplication
- Failure due to fortuitous circumstances or force majeure (lightning, floods...etc.),
- Unloading and transportation damage and failures after delivery,
- Damage or injuries caused by negligence, lack of inspection or maintenance, or improper use of the products,
- Faulty electrical wiring,
- Defects arising either from designs or parts imposed or supplied by the purchaser,
- Defects and damage by fire and lightning,
- Failures due to modification in the products without LEGRAND approval,
- Improper installation, testing, operation, maintenance, repair, alteration, adjustment, or modification of any kind by unauthorized personnel,

The Manufacturer will repair the device in such cases for a fee and is not responsible for the shipment of the equipment.

The Battery warranty does not apply if the temperature in the room exceeds 25 °C.

Extended battery warranty does not apply if:

- UPS has not been commissioned
- A yearly preventive maintenance visit has not been performed

By an authorized LEGRAND UPS Technical Service staff or authorized LEGRAND distributor Technical Service staff.

The UPS may contain batteries that should be recharged 24Hours min after 6 month storage duration to avoid deep battery discharge. Warranty cannot apply on batteries that have suffered of deep discharge.

### 3. SAFETY



Information related to safety of the UPS, battery, load and the user is summarized below. But the equipment should not be installed before reading the manual completely.

#### 3.1. Description of the Symbols Used on the Labels Applied to the UPS



PE: Protective Earth



PB: Protective Bonding



Danger! High Voltage (Black/Yellow)



This symbol points out the instructions, which may result with injury of the operator or damage of the equipment if not obeyed.

#### 3.2. Individual Protective Gear

There is a high risk of electrical shock with the equipment as well as a considerable short circuit current. When installing and servicing the equipment it is absolutely forbidden to work without the protective gear mentioned in this paragraph.

The personnel who are going to work with the equipment for installation or maintenance jobs must not wear clothes with baggy sleeves or laces, belts, bracelets or other metal items that could be a hazard source.

The following indications summarize the protective gear to wear.



**Accident and spark proof footwear with rubber sole and reinforced toe**

Use : always



**Waterproof rubber gloves**

Use : always



**Protective gear**

Use : always



**Protective glasses**

Use : always

### 3.3. Important Notice for UPS

- The equipment may only be installed and commissioned by authorized LEGRAND UPS Technical Service Personnel.
- This manual contains important instructions that you should follow during installation and maintenance of the UPS and batteries. Please read all instructions before installing the equipment and save this manual for future reference.
- Not obeying the instructions written on this manual which may result with possible injury of the operator or damage of the equipment.
- The equipment shall be packed and fixed properly during transportation to avoid fall down and proper equipment should be used for transportation. Never transport in horizontal position.
- The UPS must always stands in a vertical position. Make sure that the floor can support the weight of the system.
- Connect the PE ground connector before connecting any other cable.
- UPS is designed for indoor use. To reduce the risk of fire or electric shock, install this UPS in a temperature and humidity controlled indoor environment, free of conductive contaminants. Ambient temperature must not exceed 40°C (104°F). Do not operate near water or excessive humidity (95% maximum without condensation).
- UPS requires 3Ph-N+PE input connection.
- Do not connect the output neutral to the protective ground or protective bonding (except the TNC Option). Keor T does not modify the neutral arrangements of the system; the use of an isolation transformer is required should it be necessary to modify the neutral arrangements downstream Keor T.
- KEOR T must be protected from voltage surge with devices that are suited to the installation; the mains voltage surge must be limited to 2kV. These protective devices must be sized to take into account all the installation parameters (geographical position whether or not there is a lightning rod, whether or not there are other suppressors in the electrical installation, etc )
- Even when connections removed, residual voltages of capacitors and/or high temperature may exist on connection terminals and inside the UPS. Before working on terminals, check between all the terminals included PE that no hazardous voltages exist.
- The connections shall be made with cables of appropriate cross-section in order to prevent the risk of fire. All cables shall be of insulated type and shall not be laid out on the walking path of the persons.
- According to IEC 62040-2; this is a product for commercial and industrial application. In the second environment installation restrictions or additional measures may be needed to prevent disturbances.
- Contact your local recycling or hazardous waste centre for information on proper disposal of the used battery or UPS.
- Make sure that the UPS is not overloaded to provide a higher quality supply to the loads.

- In case of an extraordinary situation (damaged body, cabinet or connections, penetration of foreign materials into the body or cabinet etc.) de-energize the UPS immediately and consult to the LEGRAND Technical Assistance Centre.
- When used for particular applications such as life support systems or any other application where product failure is likely to cause substantial harms to person, we would advise you to contact LEGRAND UPS to confirm the ability of • Contact your local recycling or hazardous waste center for information on proper disposal of the used battery or UPS.
- Make sure that the UPS is not overloaded to provide a higher quality supply to the loads.
- In case of an extraordinary situation (damaged body, cabinet or connections, penetration of foreign materials into the body or cabinet etc.) de-energize the UPS immediately and consult to the LEGRAND Technical Assistance Center.
- When used for particular applications such as life support systems or any other application where product failure is likely to cause substantial harms to person, we would advise you to contact LEGRAND UPS to confirm the ability of these products to meet the requested level of safety, performance, reliability and compliance with applicable laws, regulations and specifications.

### **3.4. Important Notice for Battery**

#### **• The batteries may only be installed and commissioned by authorized LEGRAND UPS Technical Service Personnel.**

- Make sure that the battery qty is proper for the unit and they are same type and capacity. Otherwise danger of explosion and fire is within the bounds of possibility.
- Do not dispose of batteries in a fire. The batteries may explode.
- Do not open or mutilate batteries. Released electrolyte is harmful to the skin and eyes. It may be toxic.
- In case of electrolyte in contact with skin, immediately wash the contaminated skin with water.
- Replaced batteries must be disposed of at authorized battery waste disposal centers.

#### **• A battery can present risk of electric shock and high short circuit currents.**

The following precautions should be observed when working on batteries;

- Remove rings, watches, necklaces, bracelets and all metal objects.
- Only use tools with insulated handles.
- Wear rubbers gloves and a rubber apron when handling batteries.
- Do not lay tools or metal parts on top of batteries.
- Eye protection should be worn to prevent injury from accidental electrical arcs.

#### **• Before a maintenance or repair work on the UPS;**

- Switch the input, output and battery circuit breakers (Q1, Q2 and F5) to "OFF" position.
- If UPS has external batteries; also switch the circuit breakers of the battery cabinet to "OFF" position.
- Determine if the battery is inadvertently grounded. If inadvertently grounded; remove source of ground. Contact with any part of a grounded battery can result in electrical shock.
- Battery fuses shall only be replaced with the same rating and type which came along with the UPS.

### **3.5. Emergency interventions**

The following information is of a general nature. For specific interventions please consult the laws existing in the country where the equipment is installed.

#### **First aid interventions**

If any first aid intervention is required, comply with company rules and traditional procedures.

#### **Fire-prevention measures**

Never use water to extinguish fire but only the extinguishers designed specifically for electronic equipment or battery fires.

## 4. REQUIREMENT

### 4.1. Transportation



The UPS must be placed and stand in a vertical position throughout the transportation.



Use suitable equipment to remove the UPS from the pallet.



The equipment shall be packed properly during transportation. Therefore it is recommended to keep the original package for future need.



All packing material must be recycled in compliance with the laws in force in the country where the system is installed.

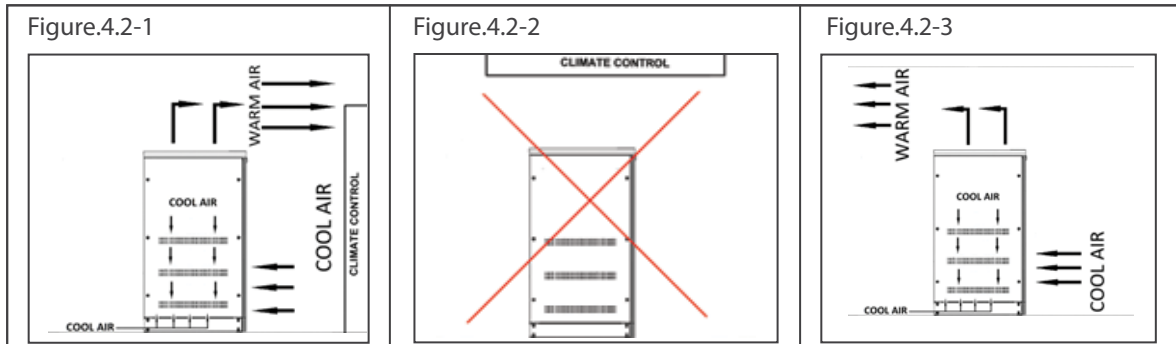
### 4.2. Placement

This product meets the safety requirements for devices to be operated in restricted access locations according to EN 60950-1 safety standard, which states that the owner should guarantee the following:

- Access to the equipment can only be gained by service persons or by users who have been instructed about the reasons for the restrictions applied to the location and about any precautions that shall be taken and,
- Access is through the use of a tool or lock and key, or other means of security and is controlled by the authority responsible for the location.
- UPS is not designed for outdoor application.
- The equipment and the batteries should not be exposed to direct sunlight or placed near to a heat source.
- Recommended operating temperature and humidity values are listed on the Appendix-1 Technical Specifications.
- Avoid dusty environments or areas where dust of conductive or corrosive materials is present.
- The connection and the circuit breakers are at the front of UPS. Leave access at the front of the UPS for maintenance. (Refer to Figure.4.2-4)
- Air outlets of the UPS are at the front, back and on both sides. Leave access at the front side, back side and from both lateral sides for ventilation and battery replacement. (Refer to Figure.4.2-1, 4.2-2, 4.2-3 and 4.2-4)
- Recommended environmental humidity condition is between 20-95% (non-condensing).

Environment Requirement				
Model (kVA)		80	100	120
Max. dissipation at full load	(W)	3392	4240	5090
	(BTU/h)	11576	14470	17370
Storage temperatures	-25/+55 °C (-13/131 °F) (15-25 °C for maximum battery life)			
Working temperature	0/40 °C (32/104 °F) (15-25 °C for maximum battery life)			
Maximum relative humidity	95% max. without condensation			
Maximum altitude without derating	1.000 m (3.300 ft)			
Degree of protection	IP 20 (other IP as option)			
Colour cabinet	RAL 7016@enclosure RAL 9005@front door metal			

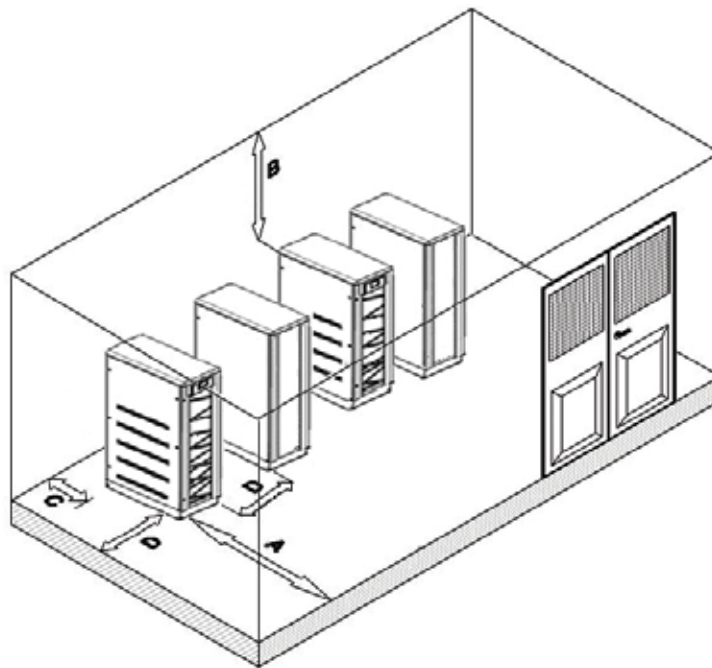
**Table.1**



**Air conditioning** **Ventilation**

**Direction of ventilation is front/sides/bottom to up.**  
 The room should be equipped with ventilation system or air conditioning to collect warm air from the top of the room and provide cool air at the bottom.

Figure.4.2-4



<b>ROOM LAYOUT RECOMMENDATION TABLE</b>			
<b>A (mm)</b>	<b>B (mm)</b>	<b>C (mm)</b>	<b>D (mm)</b>
For 80-100kVA: 800 (for installation) For 120kVA: 1000 (for installation)	500	0	For 80-100kVA: 500 (for ventilation & maintenance) For 120kVA: 500 (for ventilation)



Ensure the stability of UPS without internal battery and take necessary precautions.



The UPS should be mounted on a concrete surface and non-combustible surface.



In order to profit from optimal ventilation, the side panels must remain in place for UPS with internal battery.



Optimal battery life time is reached when battery ambient temperature is kept between 15°C and 25°C. Operating battery at 30°C ambient temperature compared to 20°C will divide by factor 2 battery life time. Room thermal management as specified above is then necessary to avoid battery life time reduction. The Battery warranty does not apply if the temperature in the room exceeds 25°C.

### 4.3. Storage

Please store the UPS in an environment where the temperature is between -25°C + 55°C, no receipt of direct sunlight, far from the heating, in a dry place.

Environmental humidity must be between 20-95% (non-condensing).

Recommended storage temperature, humidity and altitude values are listed on the [Appendix-1 Technical Specifications](#) section.

If the batteries will be stored for longer than 6 months, they shall be charged periodically. Charge period depends on the storage temperature, as shown below:

- Every 9 months if the temperature is below 20°C,
- Every 6 months if the temperature is between 20°C and 30°C,
- Every 3 months if the temperature is between 30°C and 40°C,
- Every 2 months if the temperature is over 40°C

For long storage duration; please follow up the instructions of installation described in Section 5, start-up UPS described in [Section 6](#) and charge the batteries at least 10 hours.

### 4.4. Electrical Requisites

The installation must comply with national installation regulations.

The electrical distribution panels for common mains supply voltage and auxiliary mains supply voltage inputs must have a protection and disconnection system. Disconnection devices used in these panels shall disconnect all line conductors simultaneously. The following table shows the recommended size of common mains supply voltage and auxiliary mains supply voltage input protection devices (thermal, magnetic and differential) and the cable cross-sections for the loads.



#### When dual inputs is used:

- Separate Neutral conductor is necessary to be supplied for each input: Common Mains Input and Auxiliary Mains Input
- The two inputs should be supplied by the same MV/LV transformer source. If this is not the case, an insulation transformer should be added in the auxiliary mains line upstream the UPS.
- Separate protection is necessary for each input line.

Installation Parameters				
Model (kVA)		80	100	120
Phase in/out		3Ph+N+PE / 3Ph+N+PB		
Rated output apparent power (kVA)		80	100	120
Rated output active power (kW)		72	90	108
Rated input current (A) at 400V nominal input voltage		112	138	164
Maximum input current (A) at 340V input voltage + full load + battery charging		139	171	203
Rated bypass current (A) at 400V nominal input voltage		116	145	174
Maximum bypass current (A) at 400V, 125% overload 10 min		145	181	217
Inverter output current @ 400V (A)		116	145	174
Maximum Inverter output current (A) at 400V, 125% overload 10 min		145	181	217
Overload tolerated by the inverter (with mains power present) (kW)	10 min	90	112.5	150
	1 min	108	135	162
Recommended Protection Devices – Rectifier/Mains Supply –*				
MCCB-MCCB (A) (3 or 4 pole according neutral system)		125 D-type	160	200
GG fuse (A)		125	160	175
Recommended Protection Devices – General Bypass/Auxiliary Mains Supply –*				
MCCB (A) (3 or 4 pole according neutral system)		125	160	200
Maximum I <sub>2t</sub> supported by the bypass (A <sup>2</sup> s) (10ms)		25300		320000
I <sub>cw</sub> max (A)		10000		
Protection Devices – Battery Fast Fuse –				
HIGH SPEED Dual Indication Fuse-Links Square Body - 690V (A)		125 (German Standard Knife Blade, Size 000)	160 (DIN 43 620)	160 (DIN 43 653)
Recommended Protection Devices – Output –				
C curve circuit breaker (A) (3 or 4 pole according neutral system)		≤30	≤60	≤80
B curve circuit breaker (A) (3 or 4 pole according neutral system)		≤63	≤120	≤160
Maximum inverter short circuit current for 50 ms: IK1=IK2=IK3 =IF (A)		200	300	350
Max. Cable Cross-Section for Terminals**				
Rectifier (mm <sup>2</sup> )		50		
General Bypass (mm <sup>2</sup> )		50		
Battery (mm <sup>2</sup> )		50		
Output (mm <sup>2</sup> )		50		
Neutral (mm <sup>2</sup> )		50		
Protective Earth/Bonding		Recommended cross section for ground wire at least half of the section of cable phases AND shall comply with the standards of the country (for example NFC 15100 in France).		
Leakage Current Protection ***		Minimum 300 mA delayed (Type-B). When used, the residual current earth leakage protection system must be common for the two AC inputs (common & auxiliary mains) and installed upstream		

**Table 2**



\*Rectifier protection alone should only be considered in the event of separate inputs; if the bypass and rectifier inputs are combined, the general input protection rating (bypass + rectifier) must reflect the recommended bypass or general protection rating.

\*Recommended discrimination of UPS downstream distribution with inverter short-circuits current (battery mode).

\*\* Cables must be selected 1.2 times larger than the recommended size for parallel topologies.

\*\*\*Must be selective with residual current circuit breakers downstream of the UPS connected to the UPS output. If the bypass network is separate from the rectifier circuit, or in the event of parallel UPS, use a single residual current circuit breaker upstream of the UPS.



If the loads generates high rate of third harmonic current (THDI > 33%), the current on the common mains supply voltage and auxiliary mains supply voltage input and output neutral conductors may have a value that is 1.5-2 times the phase value during operation. In this case, size the neutral cables and the input/output protection adequately.

## 5. INSTALLATION

When the UPS is delivered, examine the packaging and product carefully to see if any damage occurred during transport. If either possible or ascertained damage is found report it immediately to:

- the carrier;
- LEGRAND Technical Assistance Center.

Make sure that the unit received corresponds to the material specified on the delivery document. The UPS Keor T packaging protects the equipment against mechanical and environmental damages. For greater protection it is also wrapped in a transparent film.

Check if the following are provided with the equipment

- UPS
- Operating Manual
- Installation Manual
- Key for door
- Battery fuses (three pieces)
- Plinths



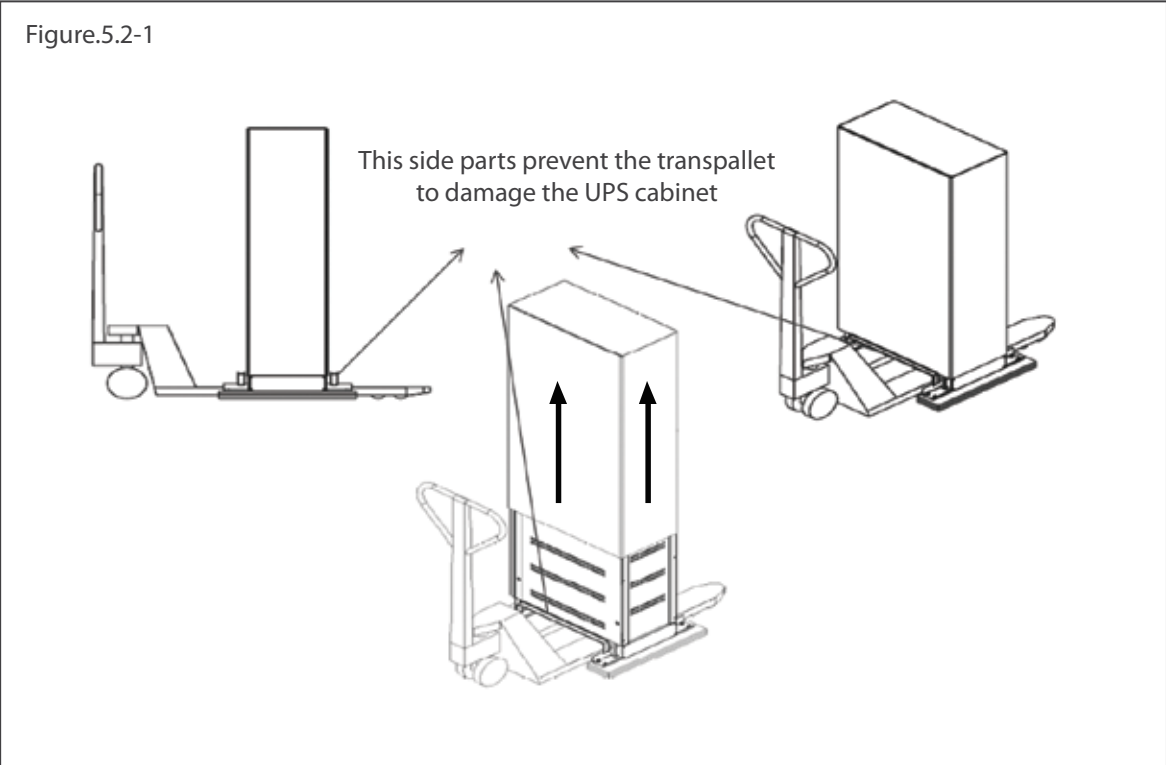
Before the installation, please check if your UPS is customized following your special requirements (if any).

### 5.1. Models and Dimensions

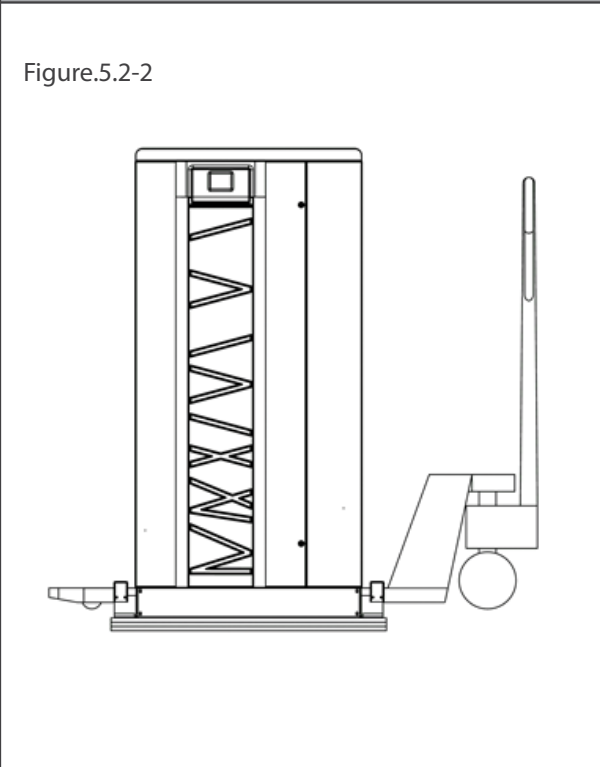
UPSType	Dimension (HxWxD) (mm)	Net Weight (Kg)	Internal Batteris Type
UPS KEOR T 80 KVA 1650H	1650 x 600 x 800	317	No battery / No transformer
UPS KEOR T 100 KVA 1650H	1650 x 600 x 800	348	No battery / No transformer
UPS KEOR T 120 KVA 1650H	1650 x 800 x 800	365	No battery / No transformer

**Table 3**

## 5.2. Unpacking Procedure

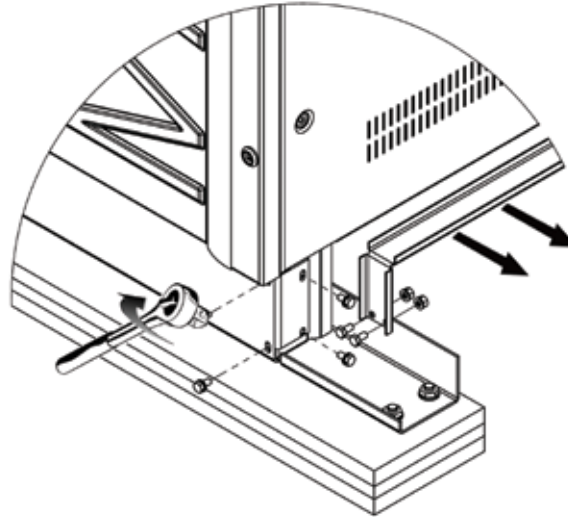


**Remove the wrap and the package**



**Place UPS in the installation area**

Figure.5.2-4



**Remove the side parts which prevent the transpallet to damage the UPS.  
Unload the UPS from the pallet.**



It is recommended to store the original UPS packaging for future needs.

### 5.3. Installation Procedures and Instructions



The equipment may only be installed and commissioned by authorized LEGRAND UPS Technical Service Staff or authorized LEGRAND distributor Technical Service Staff.



When the UPS is brought from a cold place to a warmer place, humidity of the air may condensate in it. In this case, wait minimum for 2 (two) hours before powering the UPS.



KEORT must be protected from voltage surge with devices that are suited to the installation; the mains voltage surge must be limited to 2kV. These protective devices must be sized to take into account all the installation parameters (geographical position whether or not there is a lightning rod, whether or not there are other suppressors in the electrical installation, etc )



Do not connect the output neutral to the protective ground or protective bonding (except the TNCOption). Keor T does not modify the neutral arrangements of the system; the use of an isolation transformer is required should it be necessary to modify the neutral arrangements downstream Keor T.



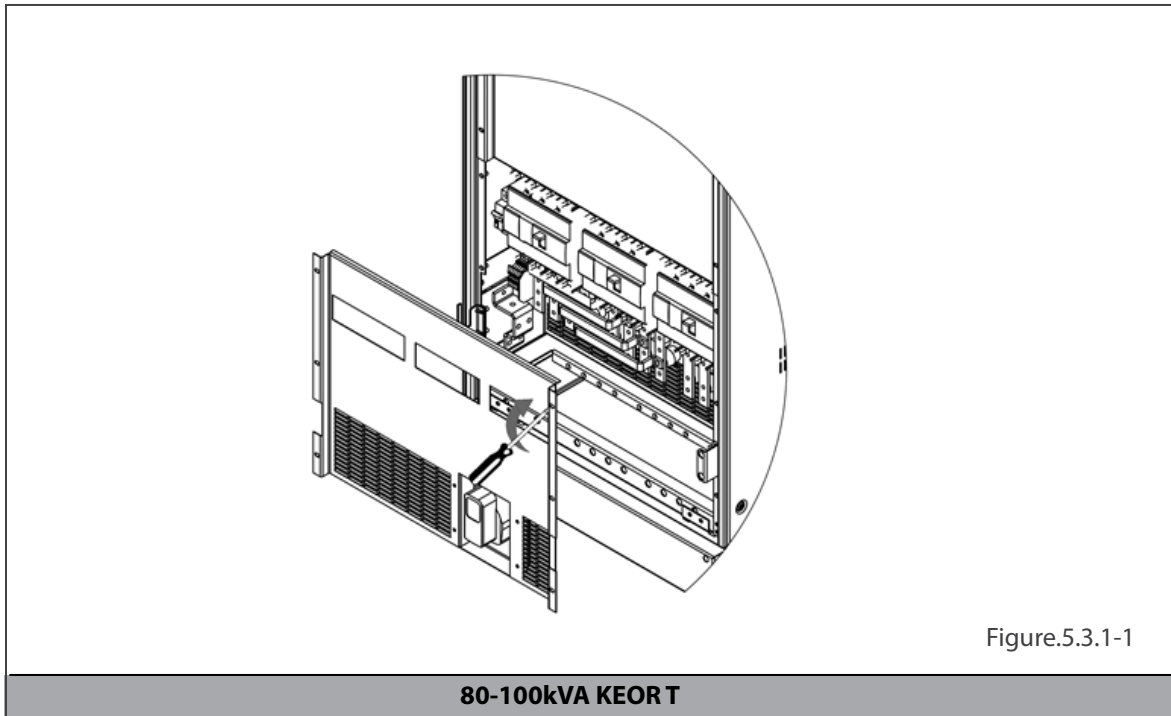
Power cables and communication cables shall be installed on trays according to the standards of the country.

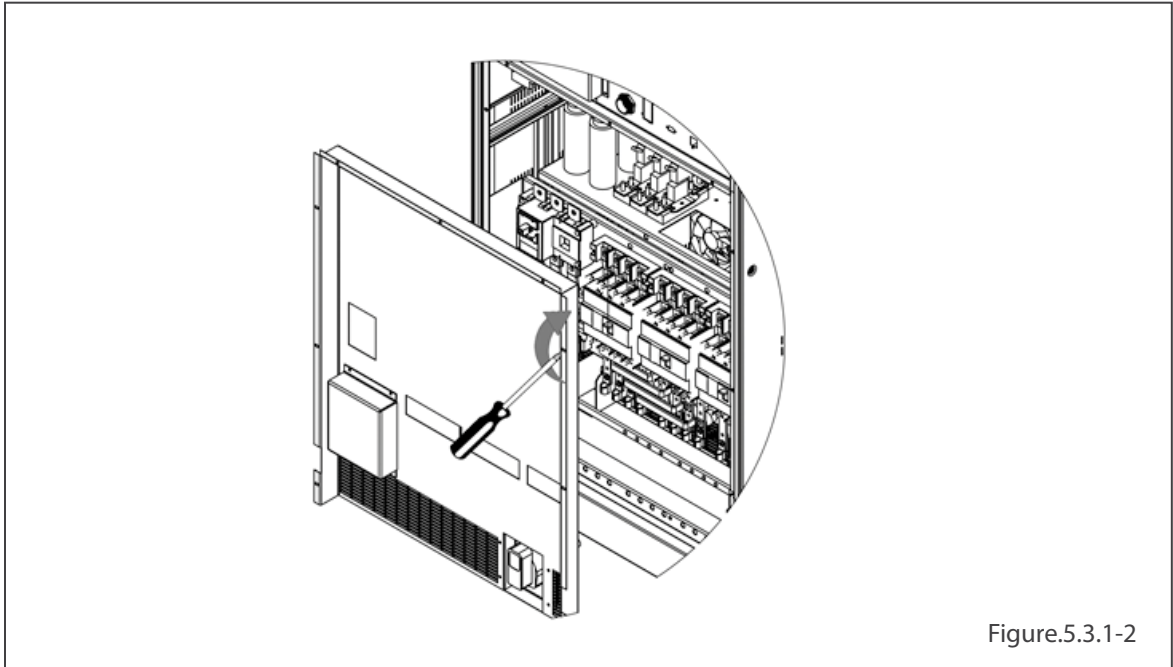
### 5.3.1. Power Connections of Single Systems



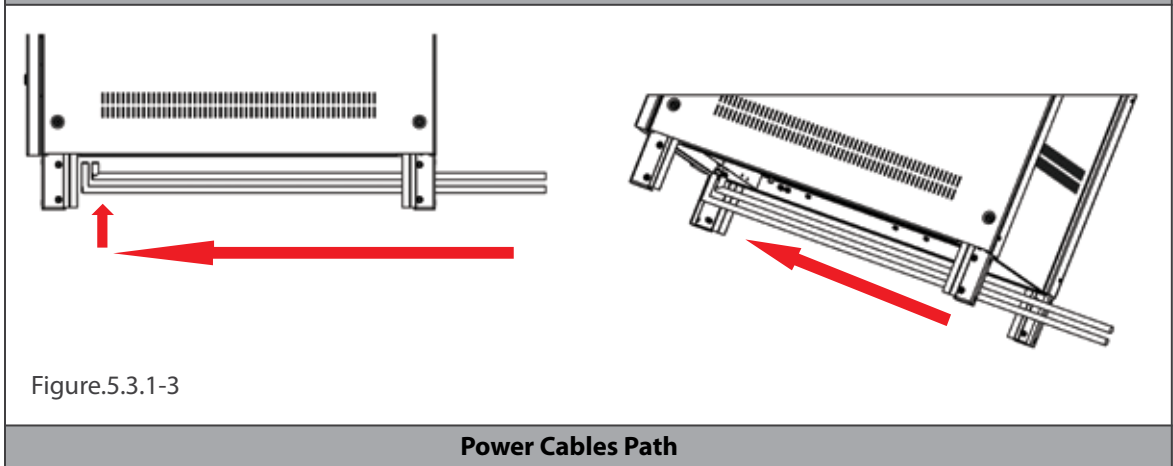
Make sure that all circuit breakers are "OFF" before starting with the installation.

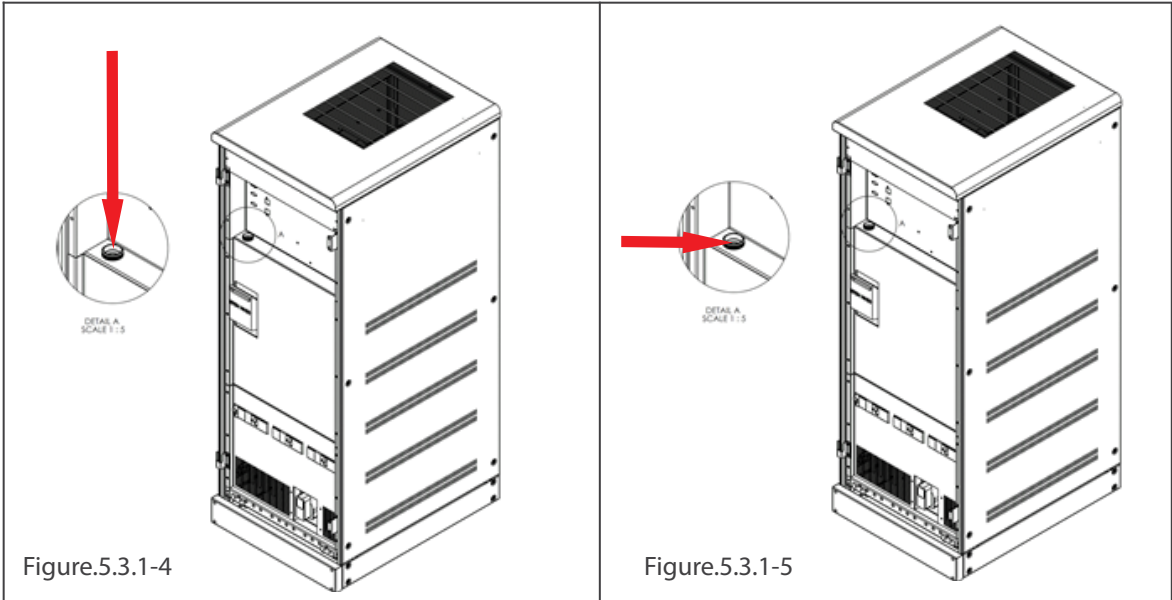
The power screw terminals are located on the lower front side of the UPS.  
Firstly, open the UPS door, screw out of the metal cover, afterwards open plastic cover of terminals.  
After the covers are removed, the cables shall be passed through the hole under the terminals.  
After all connections done, replace the covers in order.





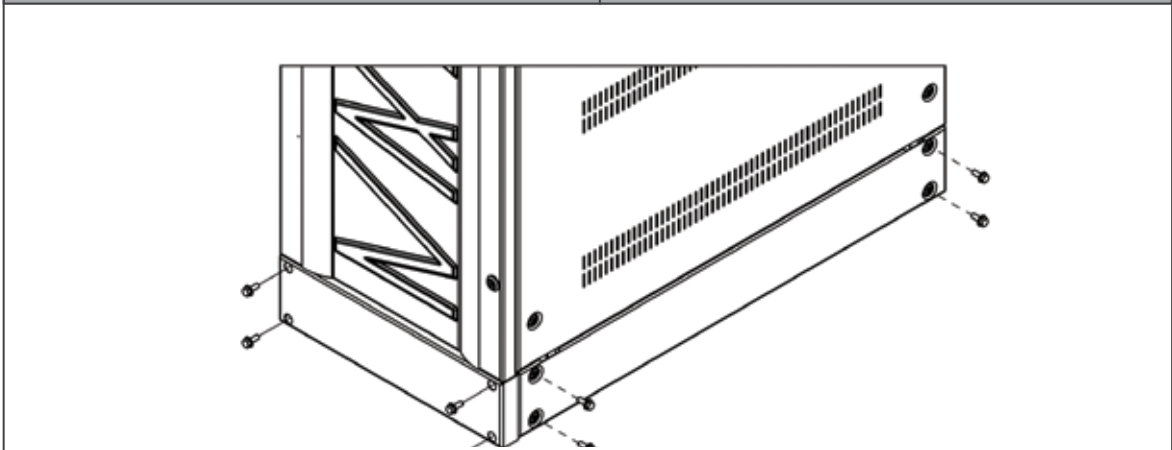
**120kVA KEORT**





**Communication Cables Path for 80-100kVA Keor T**

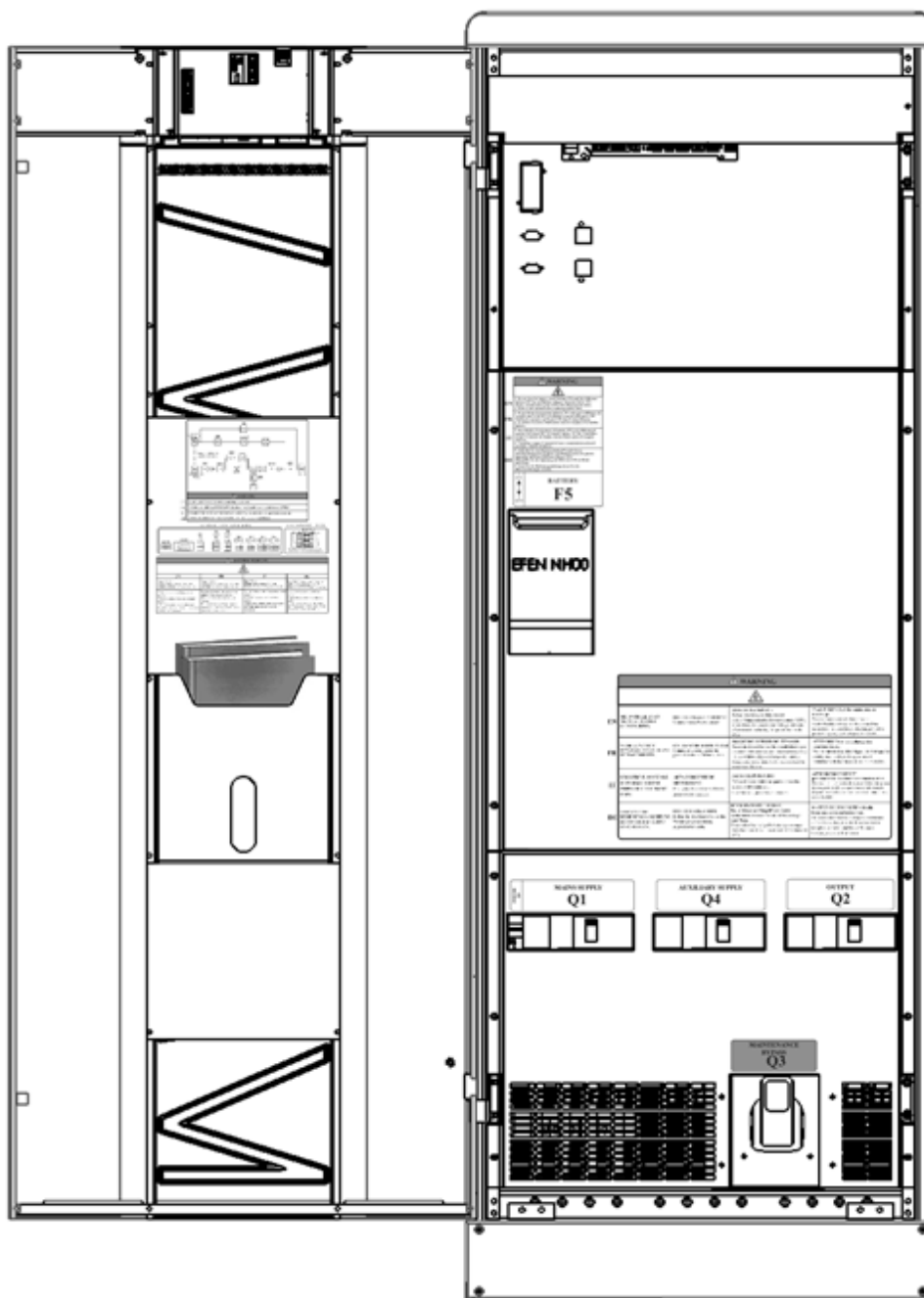
**Communication Cables Path for 120kVA Keor T**



**Fix the plinths delivered with the UPS after all cable installation done**

**80-100kVA (3Ph Input – 3Ph Output) Circuit Breakers**

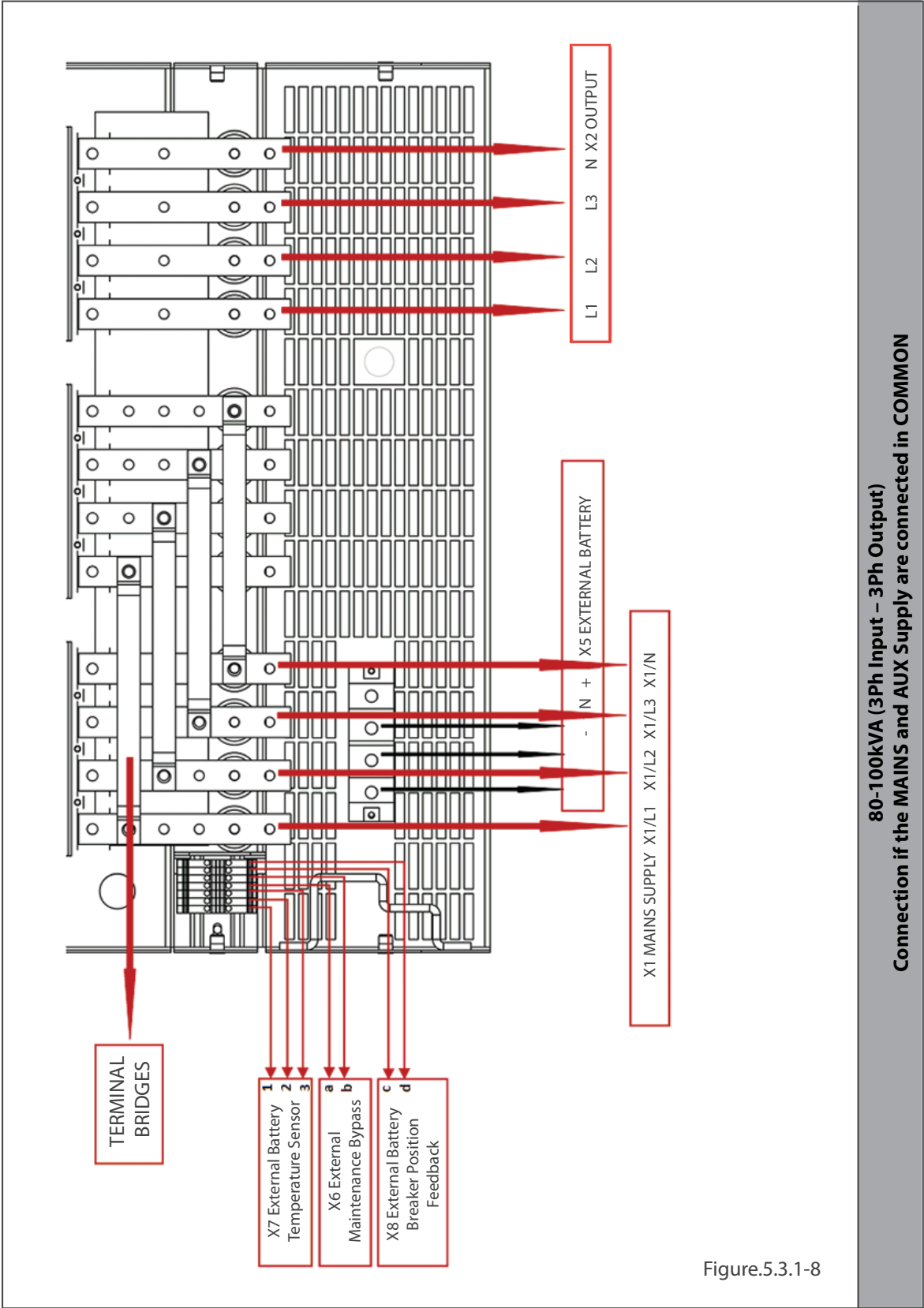
Figure.5.3.1-7



**Q1:** Common Mains Supply Circuit Breaker  
**Q2:** Output Circuit Breaker  
**Q3:** Maintenance Bypass Circuit Breaker

**Q4:** Auxiliary Mains Supply Circuit Breaker  
**F5:** Battery Fast Fuse  
**Q6:** Inrush Circuit Breaker





80-100kVA (3Ph Input – 3Ph Output)  
Connection if the MAINS and AUX Supply are connected in COMMON

Figure.5.3.1-8

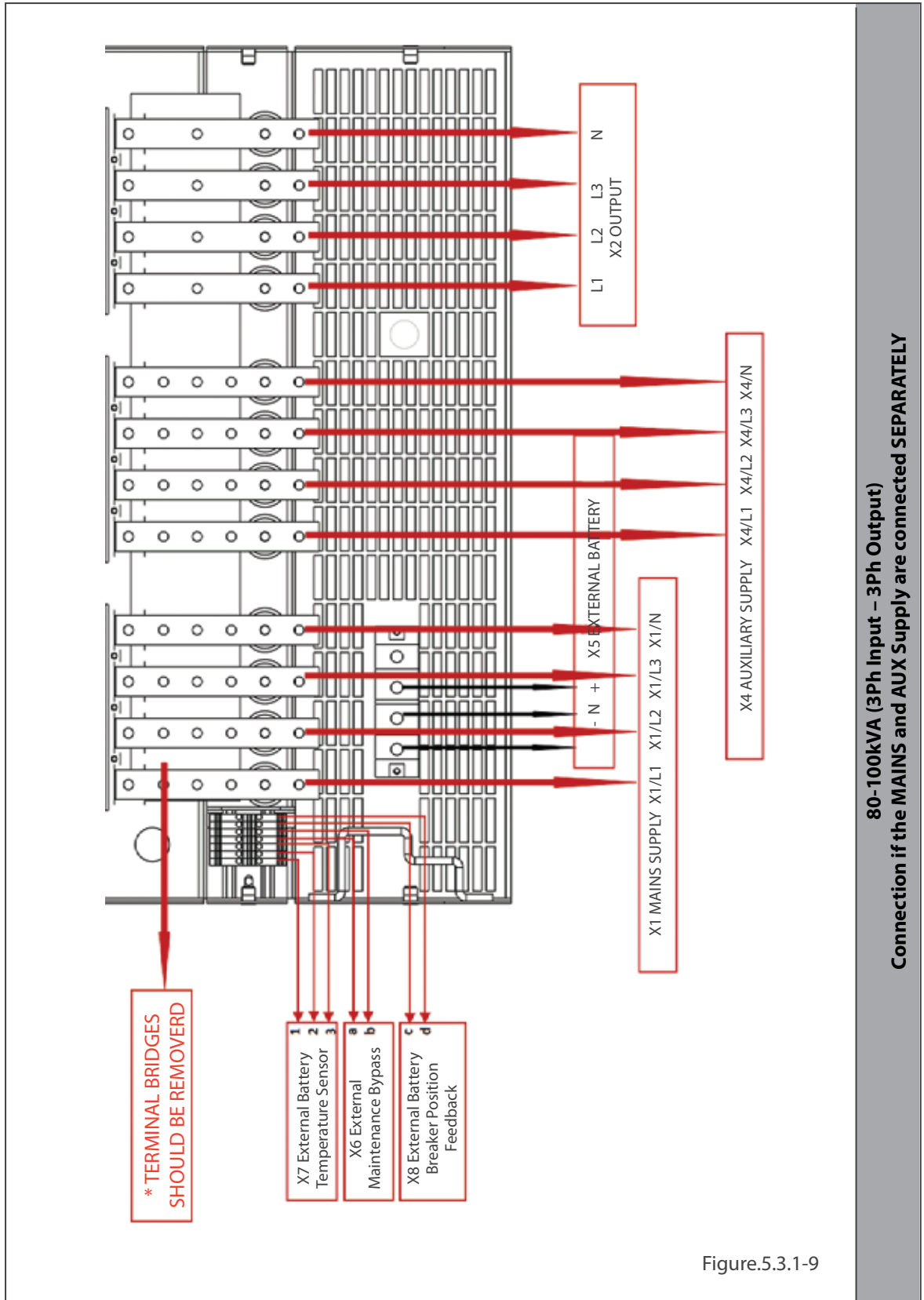
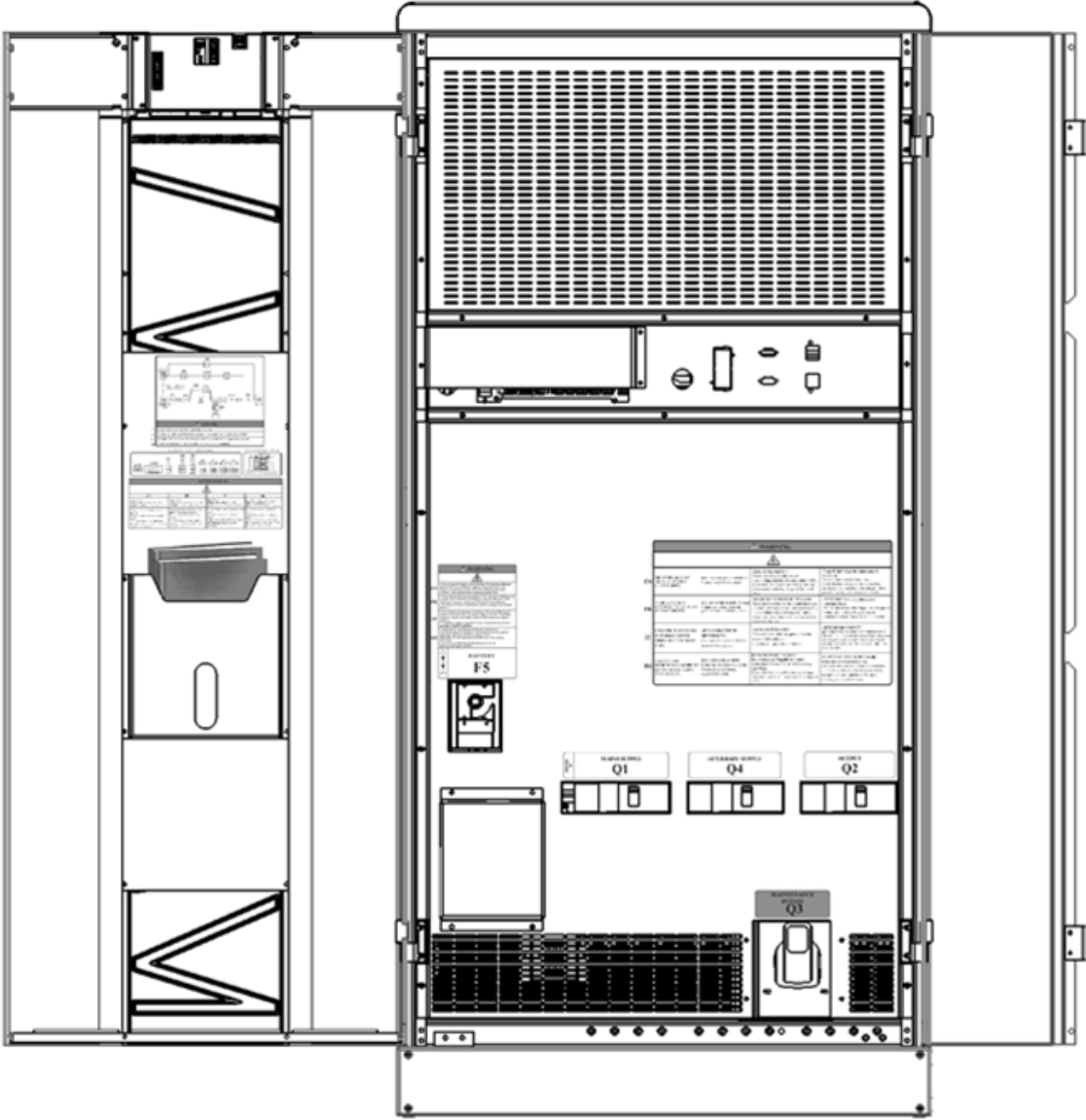


Figure.5.3.1-9

**80-100kVA (3Ph Input – 3Ph Output)**  
**Connection if the MAINS and AUX Supply are connected SEPARATELY**

## 120kVA (3Ph Input – 3Ph Output) Circuit Breakers

Figure.5.3.1-10



**Q1:** Common Mains Supply Circuit Breaker  
**Q2:** Output Circuit Breaker  
**Q3:** Maintenance Bypass Circuit Breaker

**Q4:** Auxiliary Mains Supply Circuit Breaker  
**F5:** Battery Fast Fuse  
**Q6:** Inrush Circuit Breaker

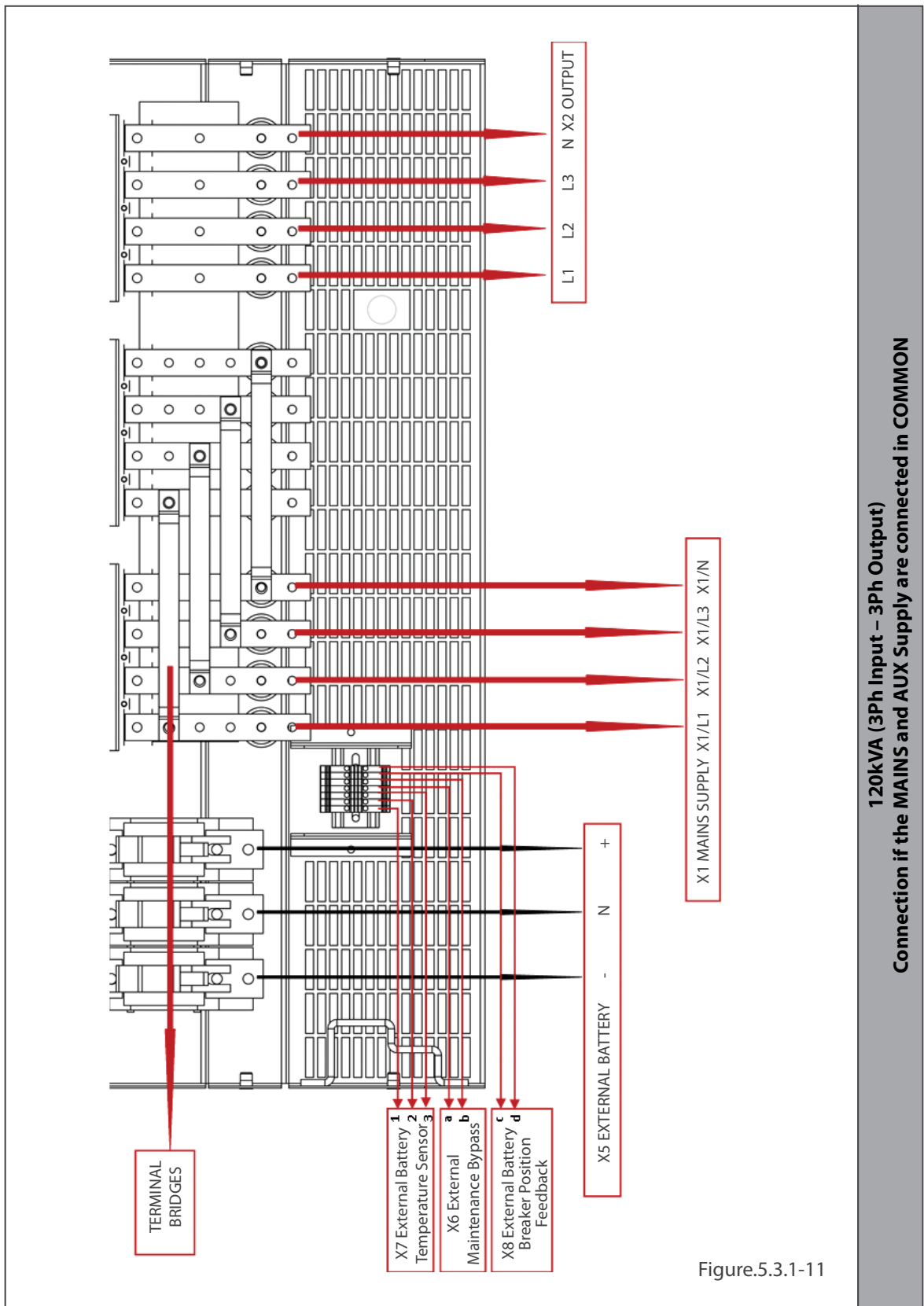


Figure.5.3.1-11

**120kVA (3Ph Input - 3Ph Output)**  
**Connection if the MAINS and AUX Supply are connected in COMMON**

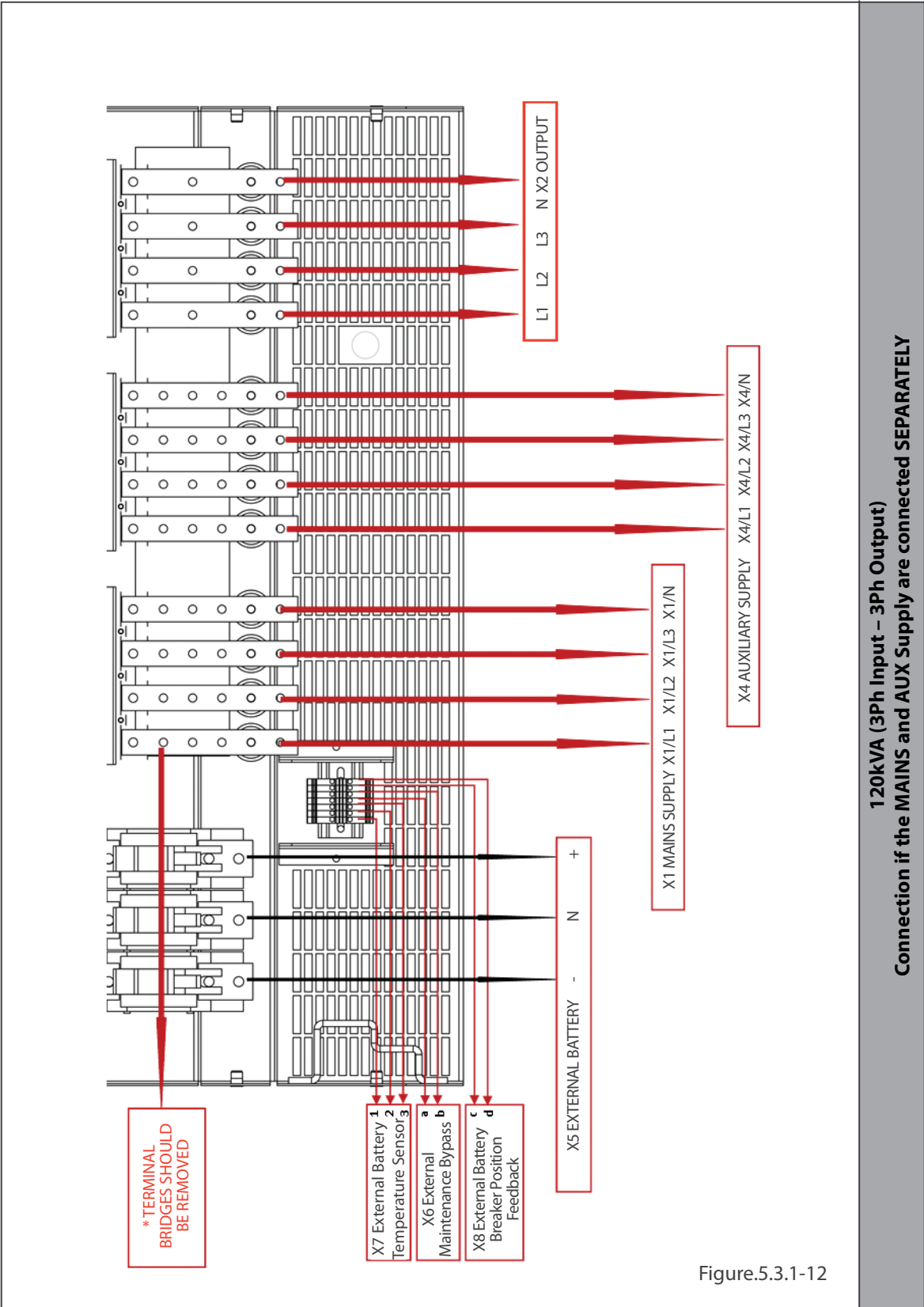


Figure.5.3.1-12

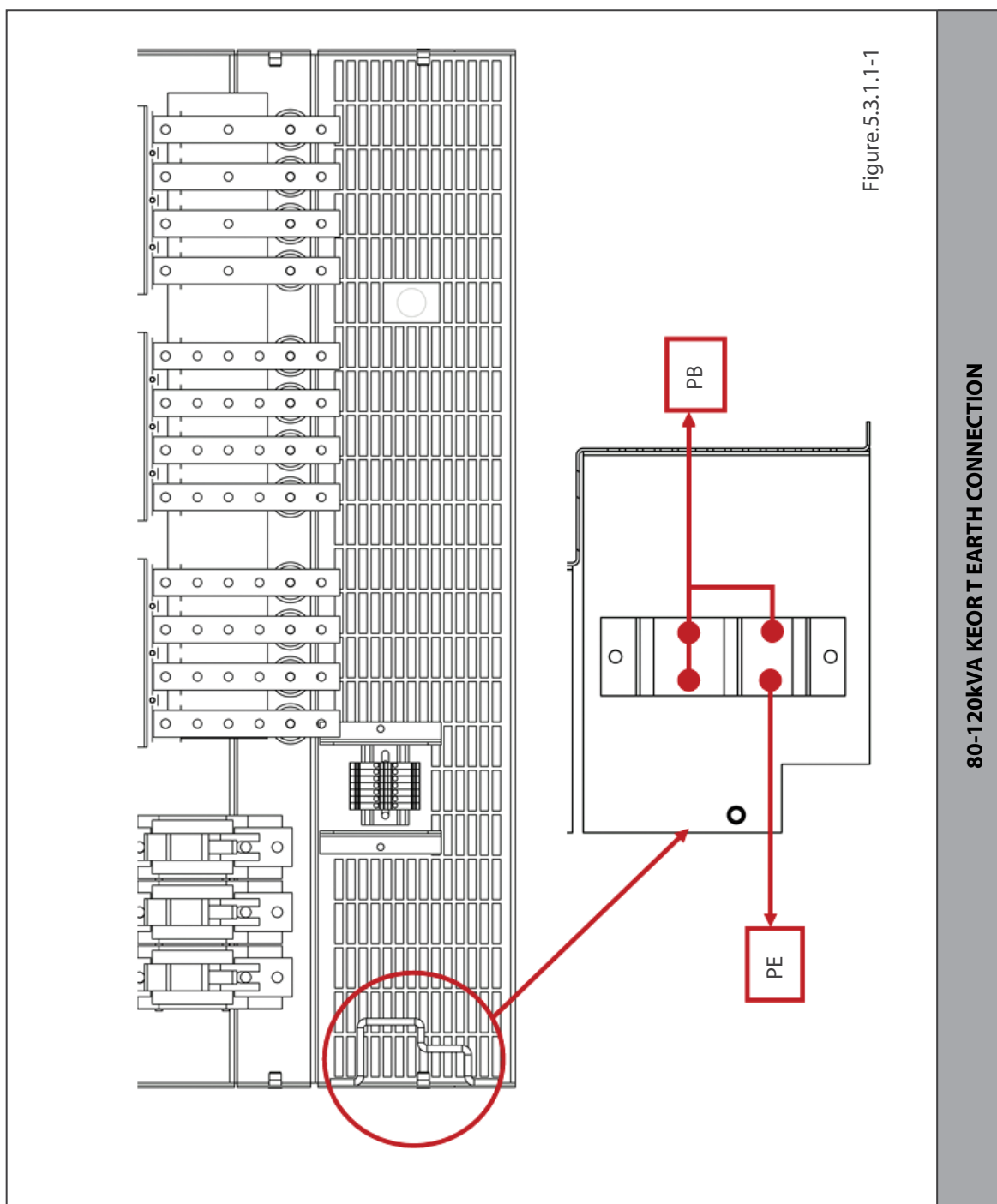
**120kVA (3Ph Input – 3Ph Output)**  
**Connection if the MAINS and AUX Supply are connected SEPARATELY**

Connections shall be made in the following order;

### 5.3.1.1. Earth Connection




The device shall be earthed for a safe and reliable operation. Connect the PE/PB ground terminals before connecting any other cable.

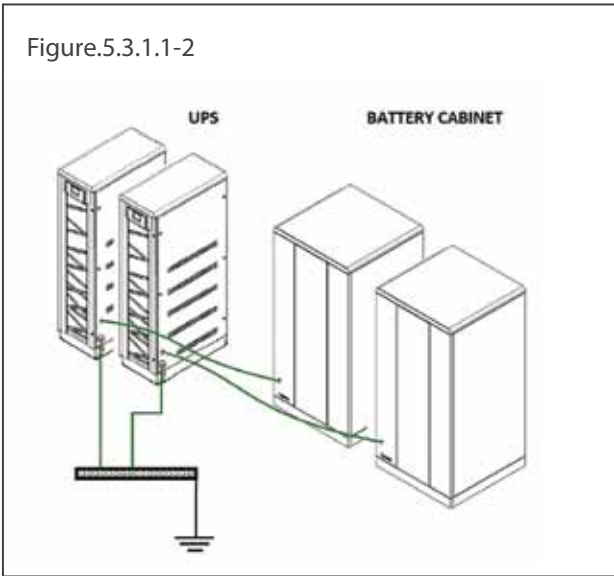


Connections shall be made in the following order;

**5.3.1.1. Earth Connection**



The device shall be earthed for a safe and reliable operation. Connect the PE/ PB ground terminals before connecting any other cable.




Input Mains Supply's Protective Earth terminal PE of the UPS shall be connected to the ground with a low impedance connection.

As the Auxiliary Supply Protective Bonding PB and Input Mains Supply's Protective Earth PE terminals are short-circuited inside UPS, it is not needed any connection.

Load ground should be connected to output X2/PB terminal of the UPS.

If there is an external battery cabinet present, it should be grounded via battery X5/PB terminal of the UPS

**5.3.1.2. Mains Supply (Rectifier) Connection**




The installation and adjustment of distribution panel should be done by specialized technician.

Electrical Characteristics - Rectifier Input			
Model (kVA)	80	100	120
Rated mains supply voltage (V)	400 (3Ph + N)		
Voltage tolerance (V) (ensuring battery recharge)	208-459 (at half Load, without battery recharge)		
	338-459 (at full Load, with battery recharge)		
Rated frequency (Hz)	50/60		
Frequency tolerance (Hz)	from 45 to 65		
Power factor (input at full load and rated voltage)	≥ 0,99		

**Table 4**

Connect the phase cables to X1 MAINS SUPPLY: X1/L1 - X1/L2 - X1/L3 terminals, the neutral to X1 MAINS SUPPLY: X1/N terminal.

Cables must be protected by fuses or MCCB, refer to [Section 4.4](#).



**If auxiliary supply exists, remove all bridges.** When used, the residual current earth leakage protection system must be common for the two AC inputs and installed upstream.

According to EN 62040-1, the user should place a warning label on the input distribution panel and the other primary power isolators, in order to prevent the risk of voltage backfeed.

This label is supplied with the Installation Manual. It indicates:

**RISK OF VOLTAGE BACKFEED**

- Isolate Uninterruptible Power Supply before working on this circuit.
- Then check for Hazardous Voltage between all terminals including the protective earth (PE).

	<b>WARNING</b>	
	EN	<p><b>RISK OF BACKFEED</b>  <b>Before working on this circuit</b>          isolate Uninterruptible Power System (UPS),          Then check for hazardous Voltage between          all terminals including the protective earth          (PE)</p>

	<b>WARNING</b>	
	FR	<p><b>RISQUE DE RETOUR DE TENSION</b>  <b>Avant de travailler sur le circuit électrique</b>          Isoler l'alimentation sans interruption (ASI)          Puis vérifier s'il y a présence de tension          dangereuse entre toutes les bornes inclut la          connexion de terre.</p>

	<b>WARNING</b>	
	IT	<p><b>BACK FEED RISCHIO</b>  <b>Prima di intervenire su questo circuito</b>          isolare l'UPS dalla rete .          Controllare la presenza di tensioni          pericolose tra tutti i terminali</p>

	<b>WARNING</b>	
	DE	<p><b>RÜCKSPANNUNG RISIKO</b>  <b>Bevor Sie einen Eingriff am Grät</b>  <b>vornehmen trennen Sie die USV - Anlage</b>  <b>vom Netz.</b>          Überprüfen Sie auf gefährliche spannungen          zwischen den Anschlüssen und der          Shutzerde (PE).</p>

### 5.3.1.3. Auxiliary Supply Connection

Electrical Characteristics - Bypass			
Model (kVA)	80	100	120
Bypass frequency slew rate	2 Hz/s settable from 1 to 3 Hz/s		
Bypass rated voltage	Nominal output voltage $\pm 18\%$ (settable)		
Bypass rated frequency	50/60 Hz (selectable)		
Bypass frequency tolerance	$\pm 3\text{Hz}$		

**Table 5**

**If auxiliary supply exists, remove all bridges.**

Connect the phase cables to X4 AUXILIARY SUPPLY: X4/L1 - X4/L2 - X4/L3 terminals, the neutral to X4 AUXILIARY SUPPLY: X4/N terminal.

Cables must be protected by fuses or MCCB, refer to [Section 4.4](#)

### 5.3.1.4. Battery Connection

Danger of explosion and fire if the batteries of the wrong type are used.





The batteries must be charged min. 10 hours before first-use.



Battery fast fuses shall only be replaced with fuses of the same type and rating.



LETHAL VOLTAGE of nominal 720 VDC is present when the external battery connections are made.

### External Battery Connection:

Keor T Battery Cabinet comes with the following cables;

- 3 meters 4 x 16mm<sup>2</sup> power cables for battery connection
- 4 meters 2 x 0.5mm<sup>2</sup> double insulated cables for external battery breaker position feedback signal
- 4 meters 3 x 1.5mm<sup>2</sup> double insulated cables for external battery cabinet temperature sensor signal
- 3 x Field-mountable Battery Fast Fuses (rating & type depending on the cabinet model)
- 2.9 meters spiral for power cables for protection



If battery cabinets not supplied by LEGRAND, it is the installer's responsibility to check the electrical compatibility and the presence of appropriate protection devices between the cabinet and Keor T.



Read the KEOR T Service Manual carefully for Battery Wiring Diagram in External Battery Cabinet!



To avoid risk of electromagnetic interference separate the battery cables from Input and Output cables.

For UPS and External Battery Cabinet Connections, please follow up the instructions below;

- Switch all battery cabinets circuit breaker (**F5**) to "**OFF**" position.
- **Ground:** Connect all "PB" on the battery cabinets directly to **X5 EXT. BATTERY: "PB"** on the UPS.
- **Negative String:** Connect the "-" on Battery Cabinet #1 to **X5 EXT. BATTERY: "-"** on the UPS. Connect the "-" on Battery

**Cabinet #2 to X5 EXT. BATTERY: "-"** on the Battery Cabinet #1 and so on...

- **Positive String:** Connect the "-" on Battery Cabinet #1 to **X5 EXT. BATTERY: "+"** on the UPS. Connect the "+" on Battery

**Cabinet #2 to X5 EXT. BATTERY: "+"** on the Battery Cabinet #1 and so on...

Connect the "N" on Battery Cabinet #1 to **X5 EXT. BATTERY: "N"** on the UPS. Connect the "N" on Battery

**Cabinet #2 to X5 EXT. BATTERY: "N"** on the Battery Cabinet #1 and so on...

- External Battery Cabinet Temperature Sensor: Only connect the X7: "X7/1 – X7/2 – X7/3" on the Battery Cabinet

#1 to X7: "X7/1 – X7/2 – X7/3" on the UPS. (Not extended 25m length is recommended)

- **External Battery Breaker Position Feedback:**

For one battery cabinet & UPS configuration: Connect the **X8: "X8/c – X8/d"** on the UPS to **X8: "X8/c –**

**X8/d** on Battery Cabinet #1.

**For two battery cabinets & UPS configuration:** Connect the **X8: "X8/c – X8/d"** on the UPS to **X8: "X8/c – X8/e"** on Battery Cabinet #1. Connect the **X8: "X8/d – X8/e"** on Battery Cabinet #1 to **X8: "X8/c – X8/d"** on Battery Cabinet #2.

**For three battery cabinets & UPS configuration:** Connect the **X8: "X8/c – X8/d"** on the UPS to **X8: "X8/c – X8/e"** on Battery Cabinet #1. Connect the **X8: "X8/d – X8/e"** on Battery Cabinet #1 to **X8: "X8/c – X8/e"** on **Battery Cabinet #2**. Connect the **X8: "X8/d – X8/e"** on Battery Cabinet #2 to **X8: "X8/c – X8/d"** on Battery Cabinet #3

**Battery Fast Fuses:** Mount the battery fast fuses into battery fuse holder on the battery cabinet. (fast fuse indicator side must be placed upper side of the holder) **Do not close the battery circuit breaker!**



**Double check the polarity of battery connection!**

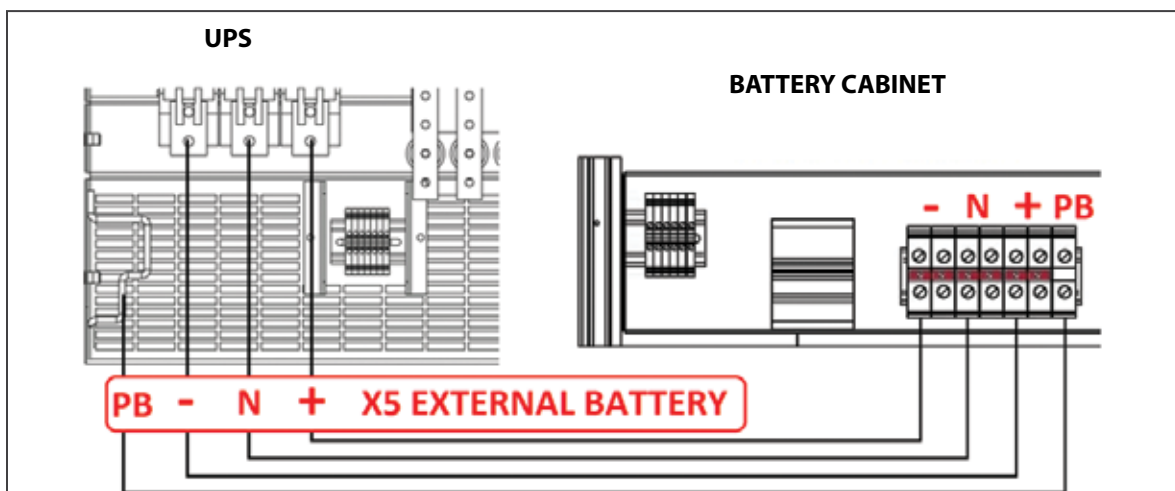


Figure.5.3.1.4-1

**Power Connection of Single Battery Cabinet**

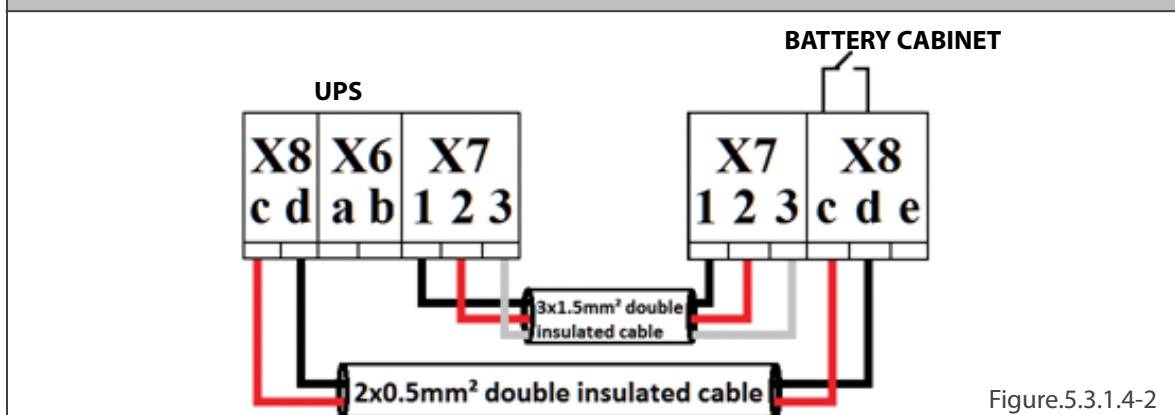


Figure.5.3.1.4-2

**Signal Connection of Single Battery Cabinet**

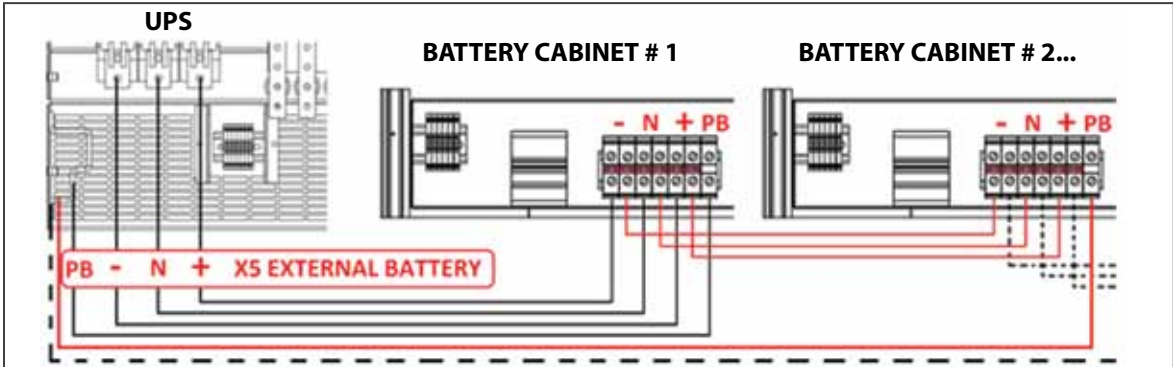
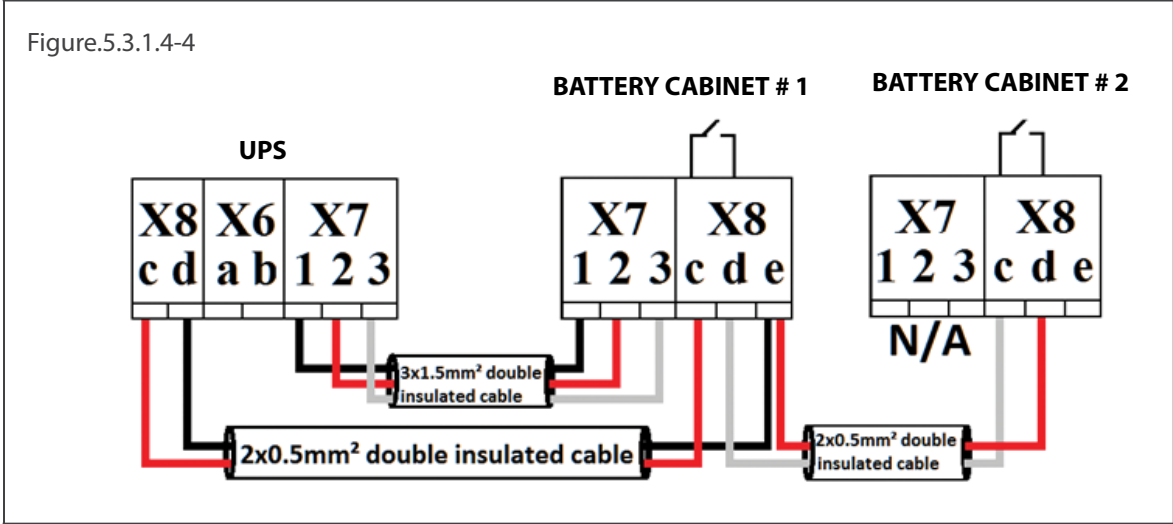
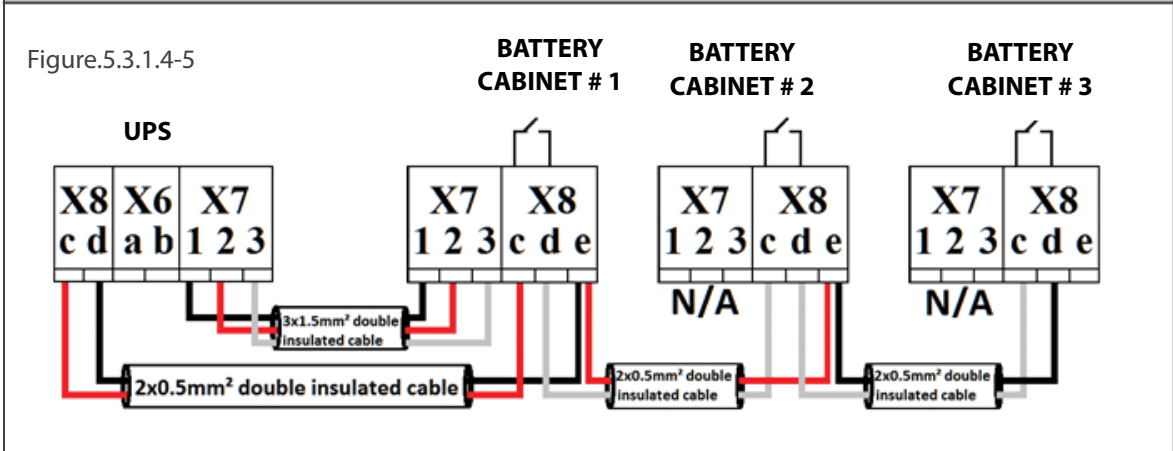


Figure.5.3.1.4-3

**Power Connection of Two and More Parallel Battery Cabinets**



**Signal Connection of Two Parallel Battery Cabinets**



**Signal Connection of Three and More Parallel Battery Cabinets**

### 5.3.1.5. Output Connection



Make sure that all circuit breakers are at "OFF" position before starting with the installation.

Electrical Characteristics - Inverter

Model (kVA)	80	100	120
Rated output voltage (selectable) (V)	400 3Ph + N (380/415 configurable)		
Output voltage tolerance	static load $\pm 1\%$ , dynamic load VF-SS-111 compliant		
Rated output frequency (Hz)	50/60 Hz (selectable)		
Autonomous frequency tolerance	$\pm 0.02\%$ on mains power failure		
Harmonic voltage distortion	< 2% with linear load, < 4% with non linear load		

Table 6

Connect the phase cable to **X2 OUTPUT: X2/L1 – X2/L2 – X2/L3** terminal and the neutral cable to **X2 OUTPUT: X2/N** terminal.

Cables must be protected by fuses or MCCB, refer to [Section 4.4](#)



#### NEUTRAL SYSTEM :

Keor T does not modify the neutral system: output neutral system is the same as input neutral system. Do not connect the output neutral to the protective ground or protective bounding (PE or PB).

Installation of an external isolation transformer is required when necessary to modify the neutral system downstream Keor T.



To enable the short circuit protection feature of the UPS, each load should be supplied through a separate circuit breaker chosen according to the load current. This may provide quick disconnection of the short circuited load and maintain operation continuity of the other loads.



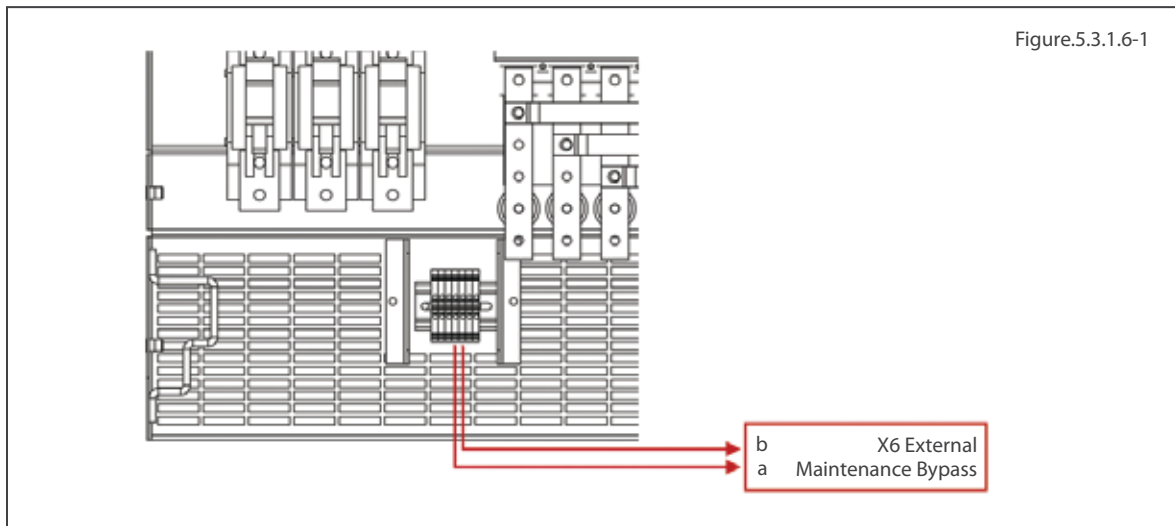
Each load should be supplied through separate circuit breaker and the cable cross section should be chosen according to the load current value.



Make sure that the UPS is not overloaded to provide a higher quality supply to the loads.

### 5.3.1.6. External Maintenance Bypass Connection

If External Maintenance Bypass would be used; connect normally open auxiliary contact of External Maintenance Bypass MCCB on the distribution panel to terminals a/X6 and b/X6 on UPS.



### 5.3.2. Power Connections of Parallel Systems

- The protection devices must be chosen properly as defined in [Section 4.4](#) considering total parallel UPS power.
- Please check [5.3.1. Power Connections of Single Systems](#) for detailed connection information.
- The cross section and length of the input and output cables must be identical for all units.
- The phase rotation must be the same for each unit connected in parallel and also on any external manual bypass line.
- Make sure that electrical connections and the communication cabling (CANBUS) have been made as shown in below diagrams. You may connect all 8pcs parallel UPS following these diagrams.
- For power connection and block diagram; refer to [Appendix-3: Description of UPS and Block Diagram](#).



Parallel configuration must only be activated by LEGRAND UPS Technical Service Personnel.



**CAUTION:** Do not remove the communication cables between the UPS's during Parallel Operation.

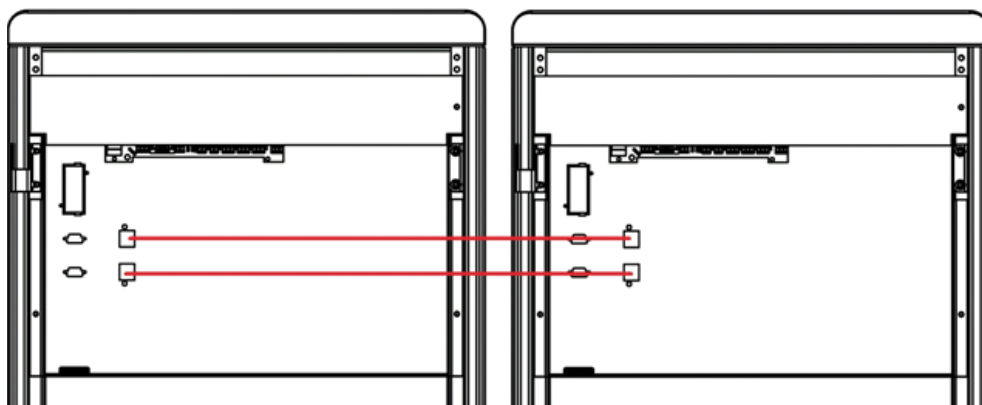


Figure.5.3.2-1

**CANBUS CONNECTION OF TWO PARALLEL UPS**

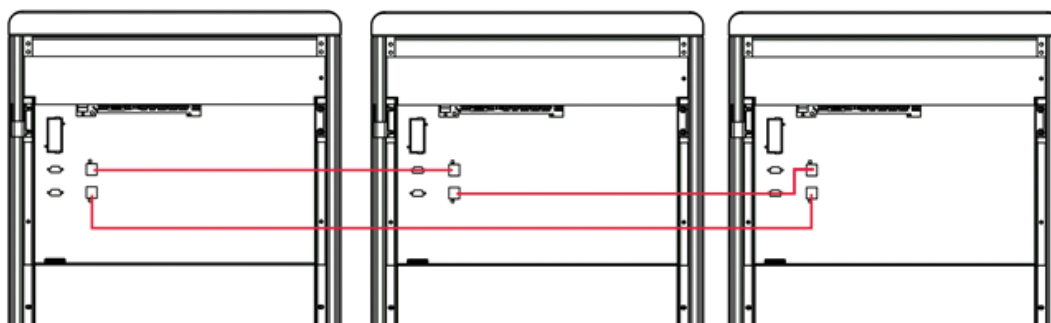


Figure.5.3.2-2

**CANBUS CONNECTION OF THREE AND MORE PARALLEL UPS**

## 6. COMMUNICATION

Interface connectivity cards allow UPS to communicate in a variety of networking environments and with different type of devices.

Standard and optional communication interfaces are listed below;

Communication Interfaces			
Model (kVA)	80	100	120
RS232		•	
RS485 / MODBUS		•	
Dry Contacts		•	
Generator Interface		•	
Remote Emergency Switching Device (ESD) Interface		•	
Internal SNMP / Web Monitoring / e-mail		◦	
External SNMP		◦	
• Standard ◦ Option		◦	

**Table 7**

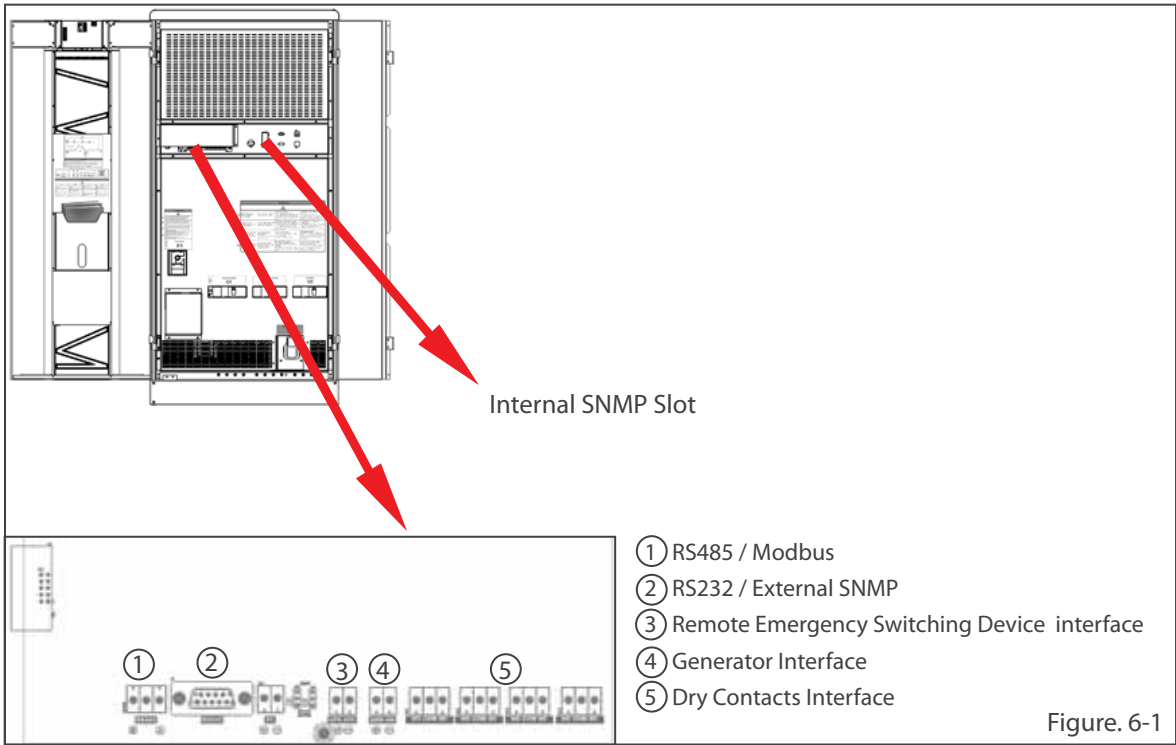
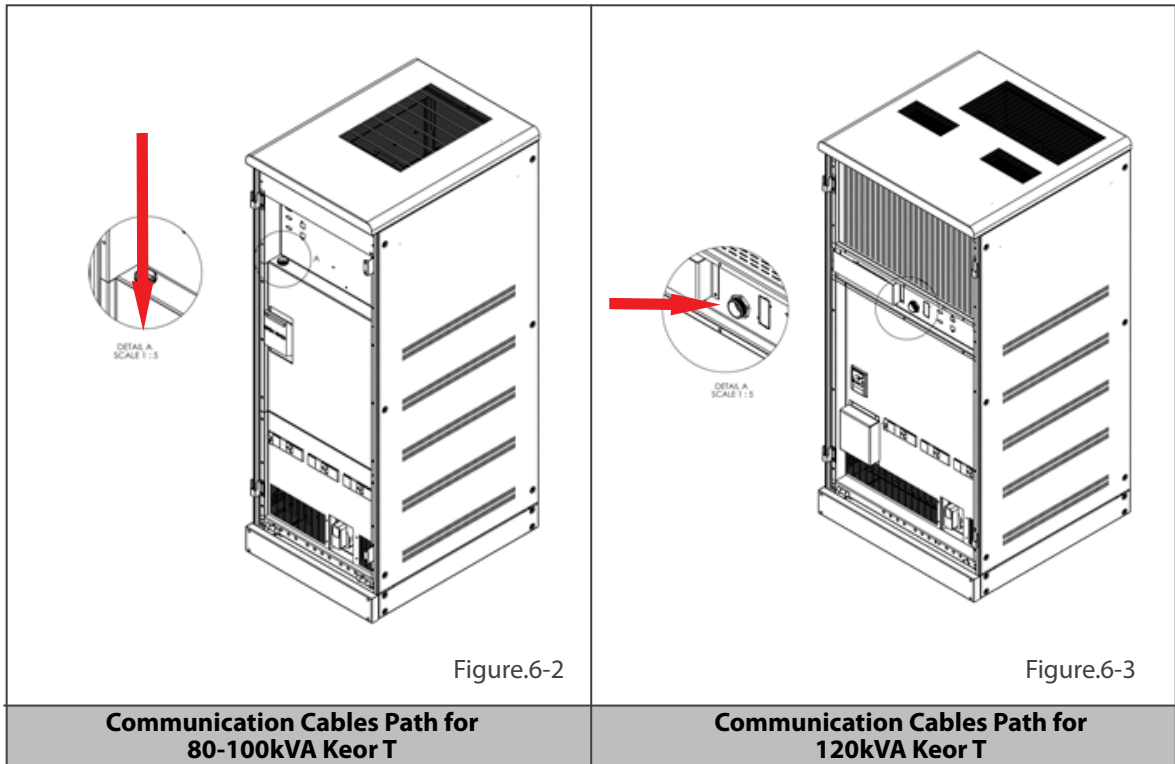


Figure. 6-1



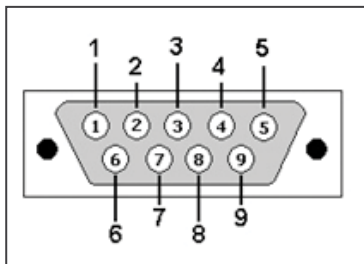
Inverter and Rectifier connectors are used for Technical Service only. Do not connect RS232 or external SNMP, damage may occur to your equipment and cancel your warranty.



### 6.1. Serial Communication (RS232)

UPS is equipped with Serial Communication as standard. RS232 cable shall be shielded and shorter than 25m.

**RS232:** DSUB-9 male connector with the following pin layout shall be used on the UPS side of the connection cable.



RS232 Pin Layout		
PIN#	Signal Name	Signal Description
2	RX	Receive Data
3	TX	Transmit Data
5	GND	Signal Ground
<b>Table 8</b>		

The communication solutions listed below can be used with this port:

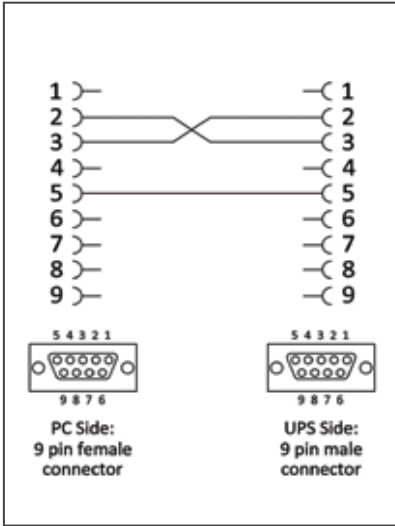
- Monitoring Software (Optional)
- External SNMP Adapter (Optional)

#### **Via SNMP; the information listed below can be monitored;**

- The Latest Battery Test Date
- UPS Information (example: 220V - 50Hz)
- Input Data (Vin, Fin, Vmax vb.)
- Output Data (Vout, Load Percantge...etc.)
- Battery Situation (Vbatt...etc)

Over SNMP communication, battery test can be started or current test can be cancelled. UPS can be shut-down or stand-by (stand-by duration is adjustable). Alarms can be discarded.



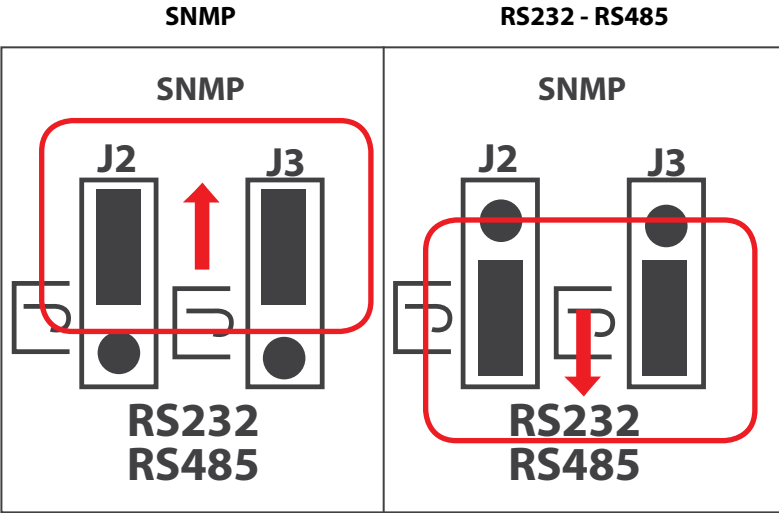


If Serial Communication cable is needed, it can be produced according to the pin configuration described at side.


### 6.2. Internal SNMP Communication

Internal SNMP card can be installed into SNMP slot placed at the front of UPS. As soon as SNMP installed, RS232 port would be disabled.

Internal SNMP has the same features as External SNMP; refer to Section 6.1 for more information.



**SNMP JUMPER (J2 – J3):** If internal SNMP would be used, 2 jumpers should be moved to upper side. If RS232 or RS485 would be used, 2 jumpers should be moved to lower side

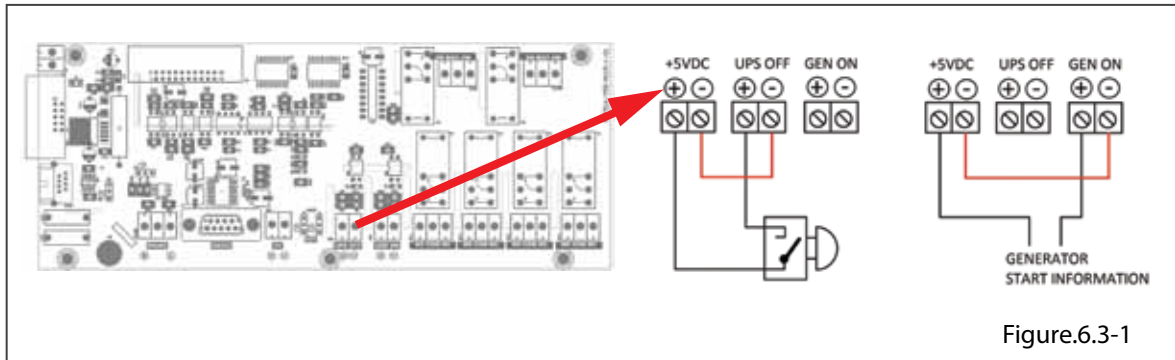


If the jumpers are at the upper side for internal SNMP configuration, RS232 and RS485 Serial Communication are disabled.

If the jumpers are at the lower side for RS232 or RS485 configuration, internal SNMP is disabled.

### 6.3. Emergency Switching Device and Generator Connections

Voltage to be applied to the digital inputs is 5VDC. Maximum current drawn by each input is 1mA. 5VDC supply provided on the communication interface board can be used to supply both digital inputs.



UPS output can be switched off immediately by Remote Emergency Switching Device interface (ESD) connection if desired. A remote latched switch can be used as described in above figure.

Input	Function
<b>Ups Off</b>	If the UPS OFF input is set high by applying 5VDC voltage on the related terminals, UPS stops generating the output voltage and stops feeding the load. When the voltage on the digital input is removed, you have to restart UPS. <b>The factory default setting of ESD contact is "Normally open".</b>
<b>Gen On</b>	If the GEN ON input is set high by applying 5VDC voltage on the related terminals, UPS transfers to Generator Mode, bypass and battery charging is disabled. Generator icon appears on Energy Flow Diagram screen. <b>The factory default setting of Generator contact is "Normally open".</b>

Table 9



Pay attention to the polarity of the voltages applied to the digital input terminals.

## 6.4. Dry Contacts



There are 4 dry contact sockets on the Interface Board. The relays can be programmable from **Relay Functions** menu (under **Settings** menu). “General alarm, Input failure, Battery failure, Output failure, Bypass active, Output overload, High temperature” alarms can be assigned to the contacts. Each alarm can be assigned to separate relays but also one alarm may be assigned to all relays.

Each output socket 3-pin and middle pin is fixed, the upper pin is normally closed and lower pin is normally open.

You may see the relay numbers as above.

Free contact relay connection cables shall have a cross-section of 1.5 mm<sup>2</sup>.



Maximum voltage to be applied to the relay contacts is 42VAC rms (sinus) or 60VDC. Maximum contact current depends on the applied voltage and the load characteristic. Both maximum voltage and maximum contact current corresponding to the applied voltage shall not be exceeded.

Maximum allowed resistive contact currents for several voltages are given on the table below:

Applied voltage	Maximum contact current for resistive load
Up to 42 VAC	16 A
Up to 20 VDC	16 A
30 VDC	6 A
40 VDC	2 A
50 VDC	1 A
60 VDC	0.8 A

**Table 10**

Each relay has both a normally open (NO) and a normally closed (NC) contact. One end of these contacts is common.

Relay functions are described below:

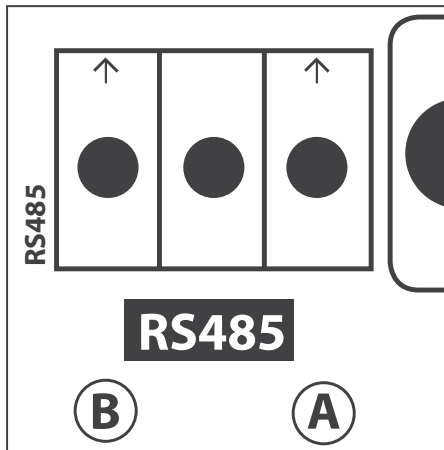
Relay	Default Function
Relay 1	General Alarm
Relay 2	Input failure
Relay 3	Battery failure
Relay 4	Output failure

**Table.11**

Relay functions can be changed through front panel.

## 6.5. RS485

RS485 with MODBUS protocol is used in a wide range of automation systems for Industrial Process monitoring or for Building Management Systems. This communication link allows monitoring UPS status and measurements with such systems.



**The RS485 differential line consists of three pins:**

- A is inverting pin (TxD-/RxD-)
- B is non-inverting pin (TxD+/RxD+)
- Middle Pin is reference pin (optional GND)

Middle Pin is the reference potential used by the transceiver to measure the A and B voltages.

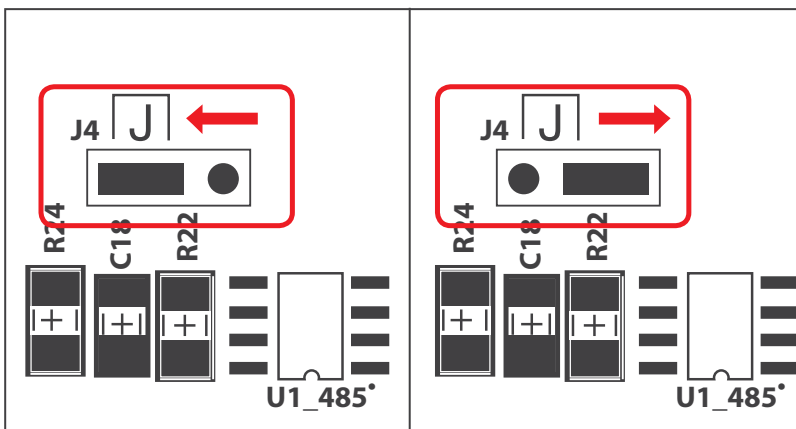
The B line is positive (compared to A) when the line is idle.

Communication Parameters	
Baud Rate	2400
Data Bits	8
Stop Bits	1
Parity	No Parity
Flow Control	No Flow Control
Communication Type	RTU

Table12

### DEFAULT

### MODBUS END



**Modbus End Jumper (J4):** If the UPS is at the end of the bus; the jumper should be moved to right side to close the bus.

## Appendix-1: Technical Specifications

Tower Model (3Ph/3Ph)	KEOR T 80KVA	KEOR T 100KVA	KEOR T 120KVA
Output Power (VA)	80.000	100.000	120.000
Nominal Active Power (W)	72.000	90.000	108.000
<b>RECTIFIER INPUT</b>			
Nominal Voltage	400V (Ph-Ph) 3Ph+N+PE		
Input Voltage Range (VAC) (at 50% Load, without battery recharge)	208-459V		
Input Voltage Range (VAC) (at full Load, with battery charging)	±15%		
Frequency (Hz)	45 - 65		
Power Factor	≥ 0.99		
<b>BYPASS INPUT</b>			
Nominal Voltage	400V (Ph-Ph) 3Ph+N+PB		
Voltage Tolerance	±18% (Customizable)		
Frequency Tolerance (Hz)	±3		
Transfer Time (ms)	<1		
<b>OUTPUT</b>			
Nominal Voltage (VAC) (Ph-Ph)	400V (Ph-Ph) 3Ph+N+PB (380/415 Adjustable)		
Power Factor	0.9		
Wave Form	Sinusoidal		
Frequency (Hz)	50 or 60 (Adjustable)		
Frequency Tolerance (Battery Operation)	0.01%		
Voltage Regulation (Static)	±1%		
Output voltage unbalance at reference unbalance load	<0.5%		
Maximum phase angle variation	<0.1°		
Crest Factor	3:1		
Nominal Power (kVA)	80	100	120
Overload Protection (sec)	600 (at 100 - 125% Load) 60 (at 125 - 150% Load)		
THD <sub>v</sub>	< 2% Non-Linear Load < 4%		
<b>BATTERY</b>			
Battery Type	Maintenance-Free Lead Acid Batteries		
Battery String (Blocks)	1x60		
<b>PROTECTION</b>			
Overload Protection, High Temperature, Input Over Voltage, Input & Output Over Current, Back-Feed Protection, Intelligent Charging Algorithm - Deep Charge Protection - Battery Test (Automatic / Manual), Short-Circuit Protection			

COMMUNICATION*			
Standard Interface	RS232, ESD, Genset, Modbus, 4 Programmable Relay Contacts		
Options	USB Converter, SNMP		
ENVIRONMENT			
Operating Temperature Range (°C)	0 - 40		
Battery Temperature Range (°C)	20 - 25 (Recommended For Longer Battery Life)		
Maximum Altitude without Derating (m)	1000		
Relative Humidity Range	20-95% (Non-Condensing)		
Acoustic Noise (dBA)	< 60 (at 1m)		
PHYSICAL			
Dimensions (HxWxD) (mm)	1650 x 600 x 800		1650 x 800 x 800
Weight (kg) (without battery & transformer)	317	348	365
Paint	RAL 7016@enclosure RAL 9005@front door metal		
STANDARDS			
Safety	IEC/EN 62040-1		
EMC	IEC/EN 62040-2		
Performance	IEC/EN 62040-3		
Design	IEC/EN 62040 ISO 9001:2008 - ISO 14001:2004		
Protection Class	IP 20 (other IP as option)		
OPTIONS			
Galvanic Isolation Transformer (External for 80-120kVA) (on request)			

\* Please contact Legrand or your local authorized distributor for optional communication interfaces.

\*\* The manufacturer reserves the rights to change the Technical Specifications and design without notice.

## Appendix-2: Modbus List

While reading data through MODBUS, the following addresses can be used. "03 - Read Holding Registers" must be selected to read the MODBUS data.

We can send commands by using MODBUS. To do that function 06 - Write Single Register must be used.

The data is defined as unsigned words (2 bytes).

Address	Coefficient	Data Definition	Read (R) / Write (W)
100	1	L1 Input Voltage	R
101	1	L2 Input Voltage	R
102	1	L3 Input Voltage	R
103	1	L1 Input Current	R
104	1	L2 Input Current	R
105	1	L3 Input Current	R
106	0,1	Input Frequency	R
107	1	L1 Output Voltage	R
108	1	L2 Output Voltage	R
109	1	L3 Output Voltage	R
110	1	L1 Output Current	R
111	1	L2 Output Current	R
112	1	L3 Output Current	R
113	0,1	Output Frequency	R
114	1	L1 Output Load Percentage	R
115	1	L2 Output Load Percentage	R
116	1	L3 Output Load Percentage	R
117	1	L1 Bypass Voltage	R
118	1	L2 Bypass Voltage	R
119	1	L3 Bypass Voltage	R
120	1	Positive Battery String Voltage	R
121	1	Negative Battery String Voltage	R
122	1	Positive Battery String Current	R
123	1	Negative Battery String Current	R
124	1	Battery / Ambient Temperature	R
125	1	Positive DC Bus String Voltage	R
126	1	Negative DC Bus String Voltage	R
127	1	UPS Conditions and Alarms (***)	R
201	1	If "1" is sent then beeper will be on. If "0" is sent then beeper will be off.	R/W
202	1	If "1" is sent then a battery test will start.	R/W

Also we can use addresses 127 to get the UPS status. A decimal value will be received from address 127. If that value is converted to binary number, the UPS status can be read.

bit 0	UPS operates on Online Mode
bit 1	UPS operates on Bypass Mode
bit 2	UPS operates on Battery Mode
bit 3	Output voltage is out of limits
bit 4	Output overload
bit 5	Inverter temperature is high
bit 6	Rectifier temperature is high
bit 7	Ambient temperature is high
bit 8	Bypass is not synchronized
bit 9	Maintenance Bypass Breaker is "ON"
bit 10	UPS operates on Green Mode
bit 11	Battery Failure
bit 12	ESD interface is activated
bit 13	DC Bus voltage is out of limits
bit 14	General Alarm

**Example:** Let's receive 28673 (DEC) from address 127. If that value is converted to binary number, 111000000000001 will be obtained. Then the following status can be read from that number:

Online Mode

ESD interface is activated

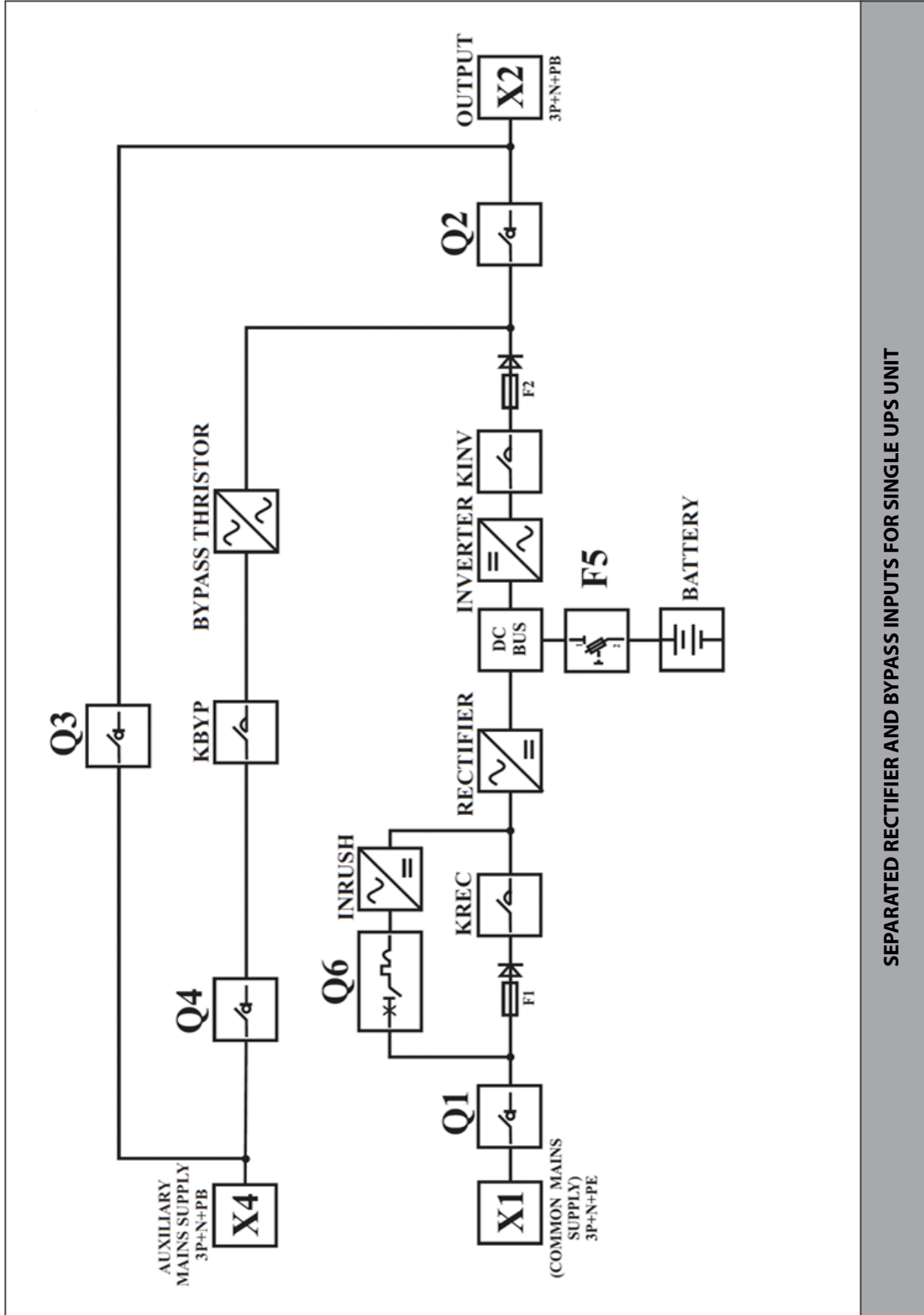
DC Bus voltage is out of limits

General Alarm

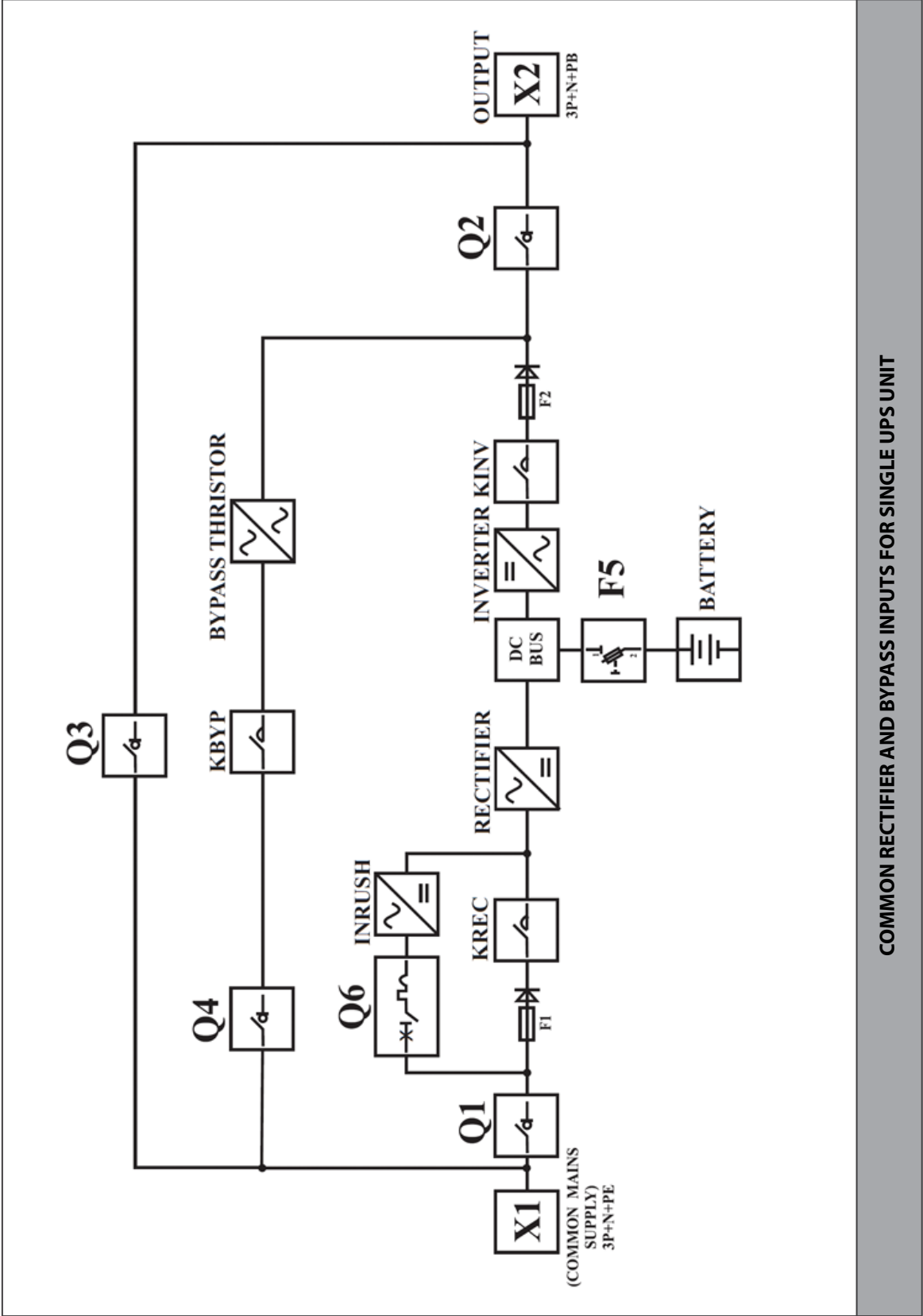


## Appendix-3: Description of UPS and Block Diagram

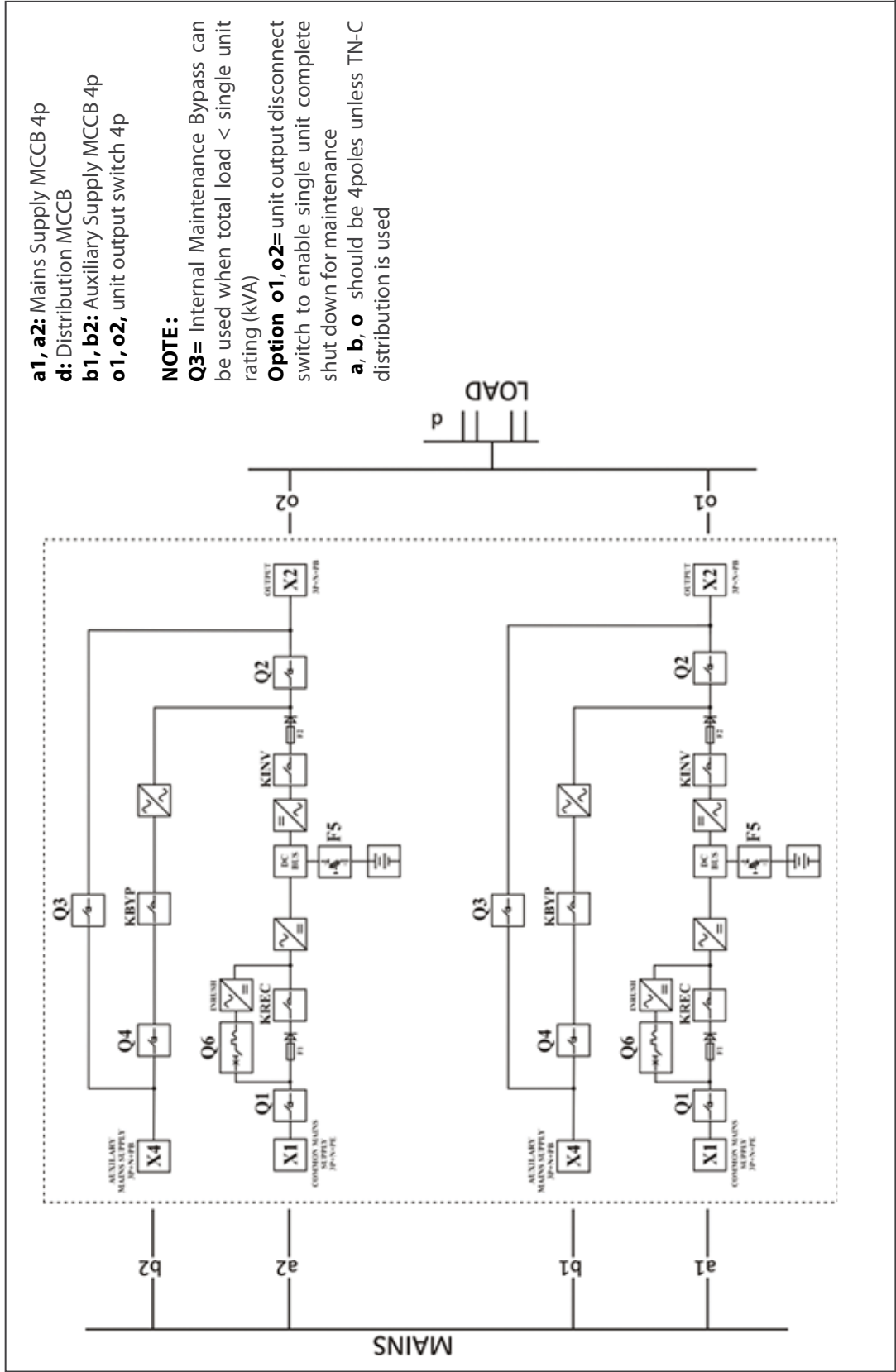
Name	Definition
<b>Q1</b>	Common Mains Supply Circuit Breaker
<b>Q2</b>	Output Circuit Breaker
<b>Q3</b>	Maintenance Bypass Circuit Breaker
<b>Q4</b>	Auxiliary Mains Supply Circuit Breaker
<b>F5</b>	Battery Fast Fuse
<b>Q6</b>	Inrush Circuit Breaker
<b>F1</b>	Rectifier Fast Fuse
<b>F2</b>	Inverter Fast Fuse
<b>KREC</b>	Rectifier Contactor
<b>KINV</b>	Inverter Contactor
<b>KBYP</b>	Backfeed Contactor
<b>X1</b>	Common Mains Supply Terminals
<b>X2</b>	Output Terminals
<b>X4</b>	Auxiliary Mains Supply Terminals
<b>BYPASS THYRISTOR</b>	In case any inverter fault occurs; Bypass thyristors transfer the supply of the load electronically from inverter to Auxiliary Mains Supply without any interruption.
<b>RECTIFIER</b>	The rectifier generates a very constant DC voltage level by drawing current from the input with a power factor close to 1.
<b>INVERTER</b>	The inverter generates a very constant AC voltage level at the output by using DC voltage source at the rectifier's output.
<b>BATTERY</b>	Supplies the necessary energy when the mains voltage is not available.



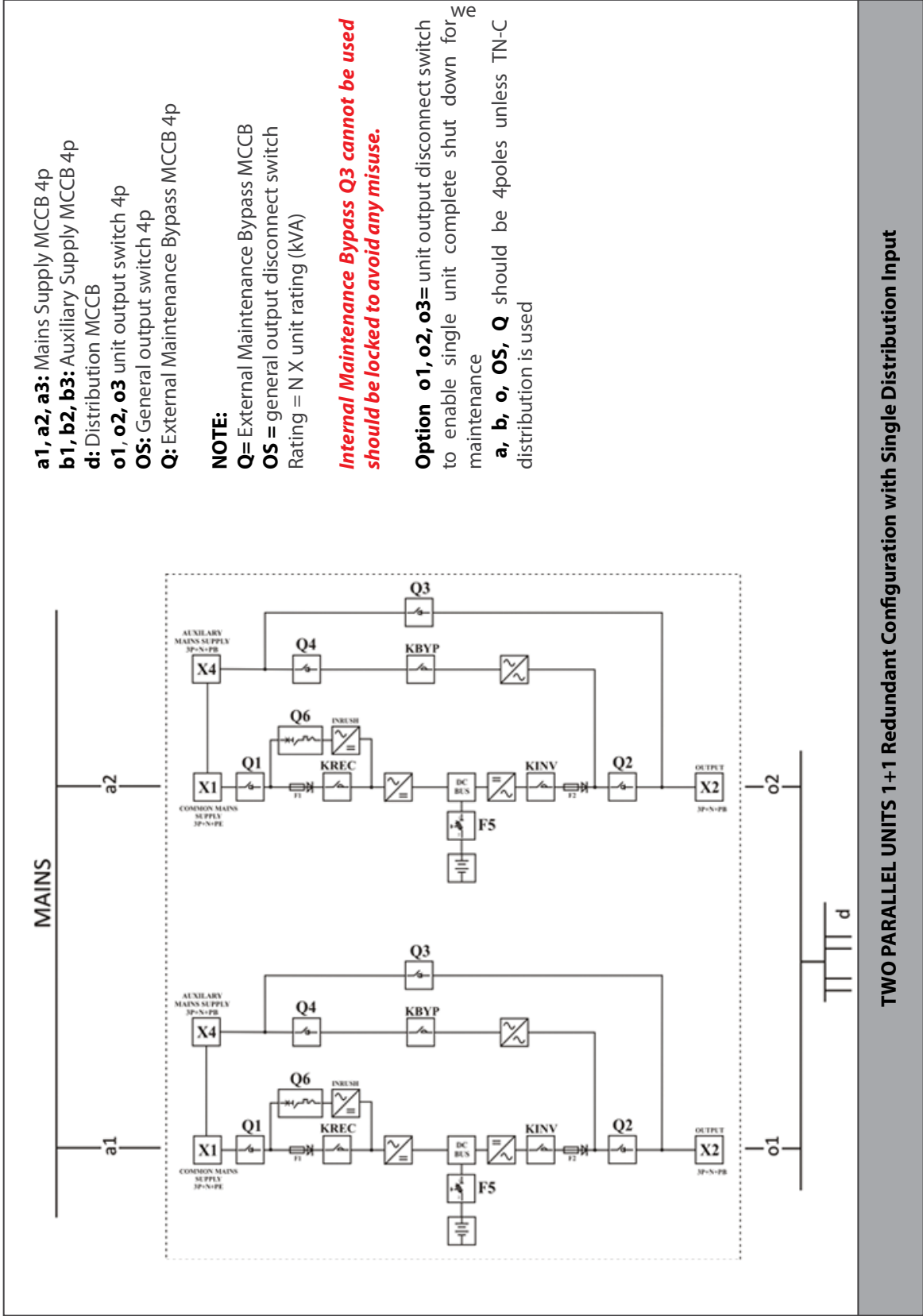
SEPARATED RECTIFIER AND BYPASS INPUTS FOR SINGLE UPS UNIT



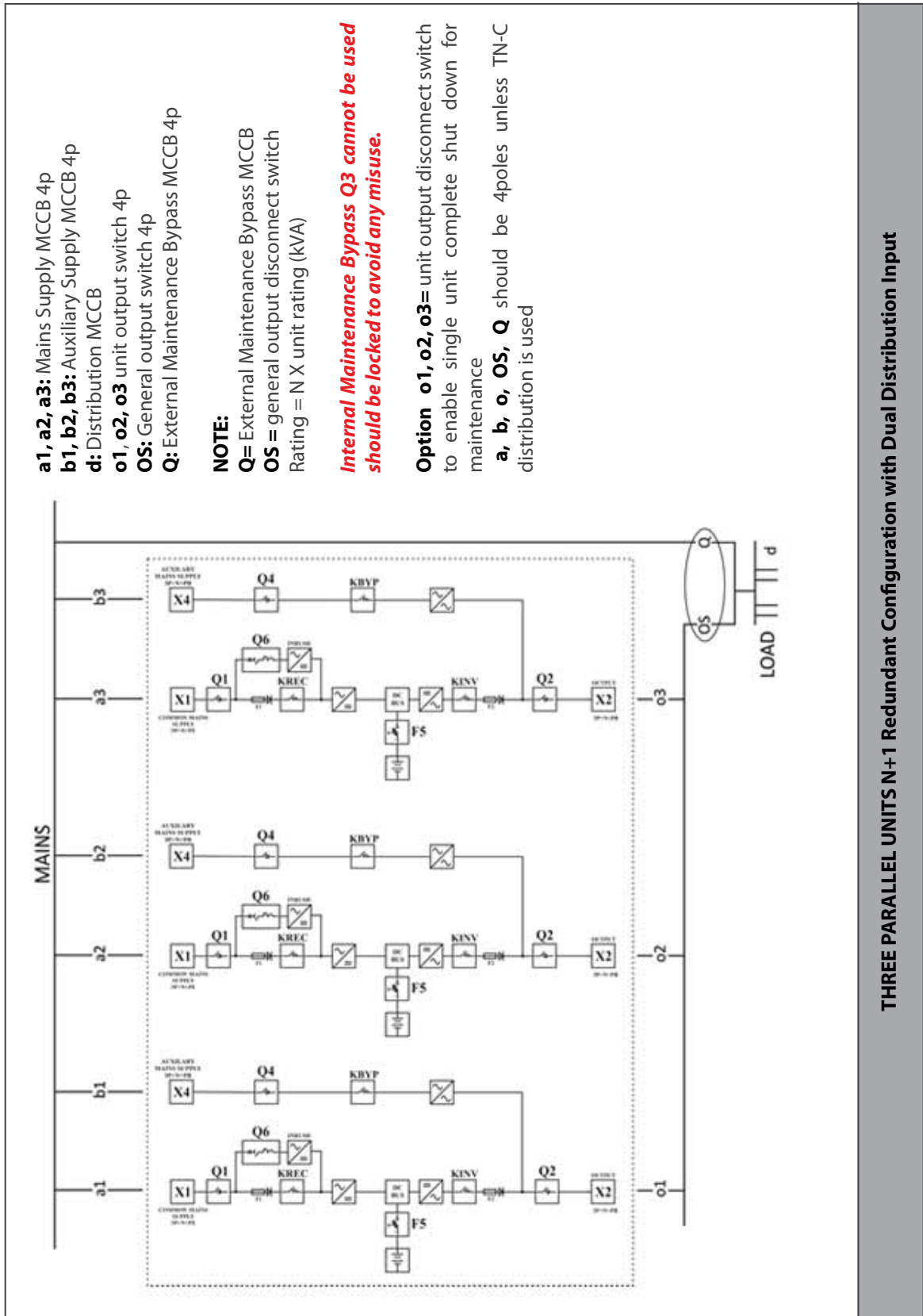
COMMON RECTIFIER AND BYPASS INPUTS FOR SINGLE UPS UNIT



TWO PARALLEL UNITS 1+1 Redundant Configuration with Dual Distribution Input



TWO PARALLEL UNITS 1+1 Redundant Configuration with Single Distribution Input



THREE PARALLEL UNITS N+1 Redundant Configuration with Dual Distribution Input

- a1, a2, a3:** Mains Supply MCCB 4p
- d:** Distribution MCCB
- o1, o2, o3** unit output switch 4p
- OS:** General output switch 4p
- Q:** External Maintenance Bypass MCCB 4p

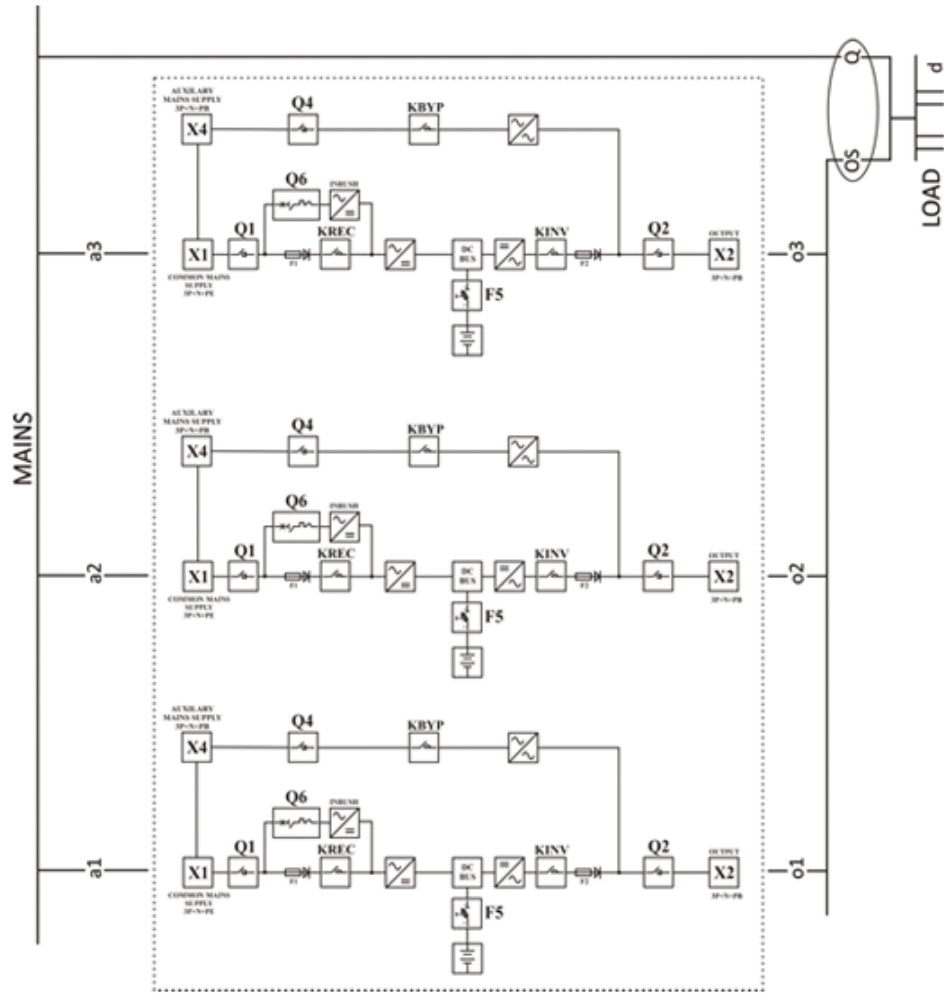
**NOTE:**

**Q** = External Maintenance Bypass MCCB  
**OS** = general output disconnect switch  
 Rating = N X unit rating (KVA)

**Internal Maintenance Bypass Q3 cannot be used should be locked to avoid any misuse.**

**Option o1, o2, o3=** unit output disconnect switch to enable single unit complete shut down for maintenance

**a, o, OS, Q** should be 4-poles unless TN-C distribution is used



**THREE PARALLEL UNITS N+1 Redundant Configuration with Single Distribution Input**

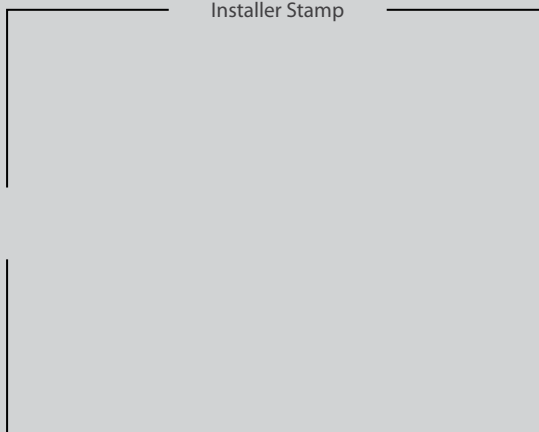
**World Headquarters and  
International Department  
87045 LIMOGES CEDEX France**

☎ : 33 5 55 06 87 87

Fax : 33 5 55 06 74 55

[www.legrandelectric.com](http://www.legrandelectric.com)

Installer Stamp



Legrand reserves at any time the right to modify the contents of this booklet and to communicate, in any form and modality, the changes brought to the same.