

OUTLINE & MOUNTING FOR ASCO® (D300, D386) SERIES TRANSFER SWITCHES, RATED 30, 70, 100, 150 & 200 AMPERES

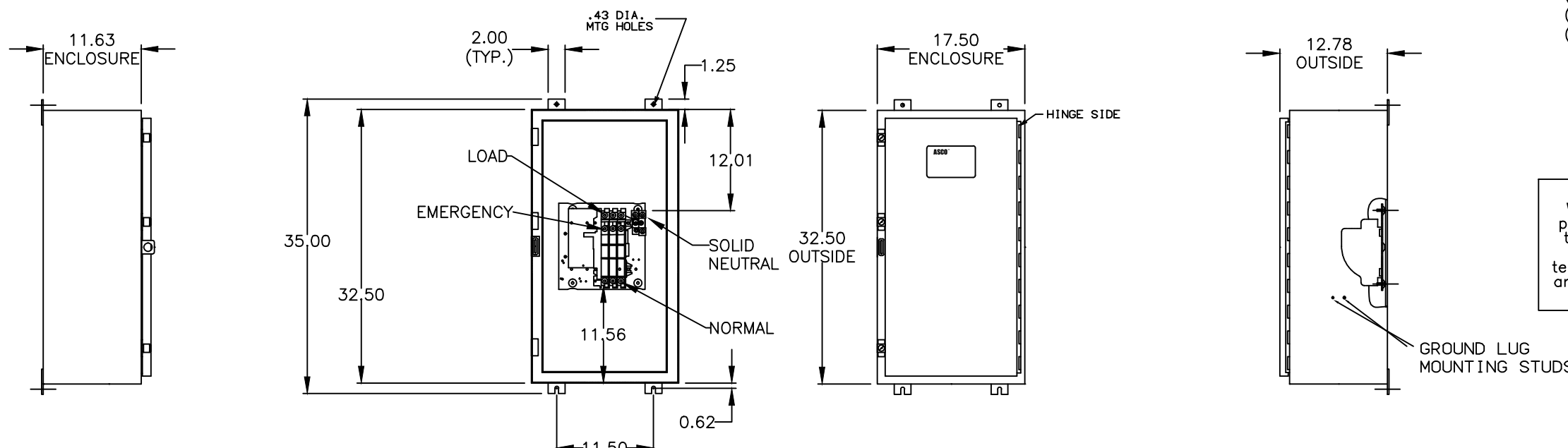
GENERAL NOTES

1. TYPE 3R/12 WALL MOUNTED ENCLOSURE.
2. STANDARD FINISH - LIGHT GREY, ANSI 61.
3. SINGLE DOOR, RIGHT SIDE HINGE, SIDE PADLOCK HASP AND PLATED DOOR CLAMPS ON LEFT SIDE.
4. TERMINALS - SCREW TYPE LUGS FOR EXTERNAL POWER CONNECTIONS.
5. THREE POLE SWITCH WITH SOLID NEUTRAL SHOWN FOR REFERENCE.
6. NEUTRAL CONFIGURATIONS:
 - D300-A FULL RATED SOLID NEUTRAL CONFIGURATION FOR EACH SOURCE AND THE LOAD IS PROVIDED STANDARD. OPTIONALLY A SWITCHED NEUTRAL POLE MAY BE PROVIDED AS SPECIFIED BY THE CATALOG NUMBER NO. NEUTRAL TYPE:
 - (B) SWITCHED NEUTRAL POLE
 - (C) OVERLAPPING NEUTRAL POLE (SEE NOTICE)
 - D386-AN OPTIONAL FULL RATED NEUTRAL CONFIGURATION FOR EACH SOURCE AND THE LOAD MAY BE PROVIDED. WHEN EQUIPPED IT IS IN ONE OF THE FOLLOWING FORMATS AS SPECIFIED BY THE CATALOG NUMBER NO. NEUTRAL TYPE:
 - (A) SOLID NEUTRAL
 - (B) SWITCHED NEUTRAL POLE
 - (C) OVERLAPPING NEUTRAL POLE (SEE NOTICE)

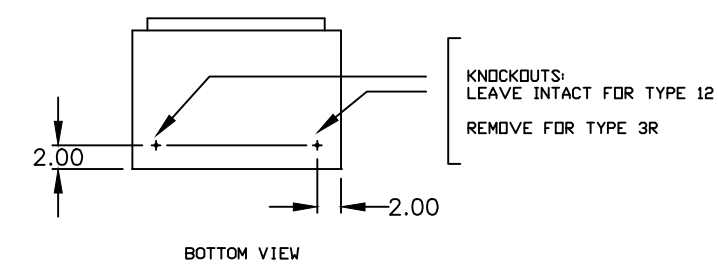
SWITCH RATING (AMPS)	RANGE OF WIRE SIZE
30-150	(1) #14 TO 4/0 AWG AL-CU WIRE
200	(1) #14 TO 4/0 AWG COPPER WIRE

APPROXIMATE SHIPPING WEIGHT, LBS (KG)

AMP SIZE	POLES	WEIGHT
30-200	2	84 (38)
	B2*	87 (40)
	C2*	87 (40)
	3	87 (40)
	B3*	90 (41)
	C3*	90 (41)



NOTICE:
When an overlapping switched neutral assembly is provided, the normal and emergency source neutral terminations are physically reversed from those of the normal and emergency source phase terminations. Locate the neutral termination markings and review the wiring diagram before connecting the neutral conductors



CATALOG NO. _____		REV. TO SHEET		EL. NO.		BY		APP.		DATE	
CERTIFIED		E 240245 EL EL 12/12/12		D 232862 EL BK 7/12/11		C 204603 KH WK 5/24/05		B 185159 TR WK 10/23/03		A 162235 BWM WK 11/02	
TO ASCO® s.o. _____		SEE ECN		SEE ECN		SEE ECN		ADD TYPE 4		161720 BWM WK 9/02	
DATE _____ BY _____		ISSUED		COMPUTER GENERATED DRAWING		SCALE 1:1		SIZE DS		DRAWING NO. 719686-002	
PROJECT NAME: _____		OUTLINE & MOUNTING		D300-D386		30-200 AMPS TYPE 3R/12		ASCO®		ASCO POWER TECHNOLOGIES, L.P.	
DRAWN BY BWM		DATE 9/02		CHECKED WK		DATE 9/02		PROJECT APPROVAL WK		DATE 9/02	
FINAL APPROVAL											

MANUFACTURING TOLERANCES TO BE IN ACCORDANCE WITH ASCO PROCEDURE MP-1-003. FOR PLASTIC PARTS SEE MP-1-005.
PROPERTY OF ASCO POWER TECHNOLOGIES. USE PERMITTED FOR OUR WORK ONLY. ALL RIGHTS OF DESIGN OR INVENTION ARE RESERVED.
ASCORAM PARK, NEW JERSEY 07932 U.S.A.