

# OUTLINE FOR ASCO® 300 SERIES 1200 AMPERE "H" FRAME (3ATS, 3ADTS, 3NTS, 3NDTS) FRONT CONNECTED TRANSFER SWITCHES TYPE 3R ENCLOSURE

## GENERAL NOTES

- TYPE 3R ENCLOSURE. FREE STANDING. FLOOR MOUNTED. CODE GAUGE CONSTRUCTION.
- DOOR HINGED ON RIGHT SIDE. DOOR CLAMPS AND LOCKABLE HASP ON LEFT SIDE.
- FINISH: ANSI 61 GRAY, POLYESTER POWDER STANDARD. OTHER ANSI COLORS AVAILABLE CONSULT FACTORY UL RECOGNIZED.
- RECOMMENDED CLEARANCES:  
FRONT: 38 INCHES
- A 20% RATED GROUND BUS IS PROVIDED.
- UNIT IS DESIGNED FOR COMBINATION TOP AND BOTTOM CABLE ENTRY. THE STANDARD SWITCH CONFIGURATION IS FOR TOP LUGS EMERGENCY AND LOAD AND BOTTOM LUGS NORMAL & EMERGENCY. THE SWITCH MAY BE SUPPLIED WITH REVERSE NORMAL & EMERGENCY LUGS. (REFER TO THE WIRING DIAGRAM FURNISHED WITH EACH TRANSFER SWITCH TO DETERMINE TERMINATION POSITIONS).
- NEUTRAL CONFIGURATIONS:  
A FULL RATED NEUTRAL CONFIGURATION FOR EACH SOURCE AND THE LOAD MAY BE PROVIDED. WHEN EQUIPPED IT IS IN ONE OF THE FOLLOWING FORMATS AS SPECIFIED BY THE CATALOG NUMBER NO. NEUTRAL TYPE:  
(A) (STANDARD) SOLID (COPPER BUS) NEUTRAL  
(B) (OPTIONAL) SWITCHED NEUTRAL POLE

-  CENTER OF GRAVITY

## CABLING NOTES

- ALL SIZES SUPPLIED STANDARD WITH MECHANICAL (SCREW TYPE) LUGS. (SEE AMP SIZE BELOW)  
A. LUG MATERIAL: ALUMINUM ALLOY 6061-T6 WITH ELECTRO TIN PLATED FINISH.  
B. SCREW MATERIAL: ALUMINUM ALLOY 6262-T9 WITH ELECTRO TIN PLATED FINISH.  
C. UL LISTED, CSA CERTIFIED.  
D. LUG SCREW TIGHTENING TORQUE PER UL 486B: 19 FT-LBS.  
E. SUITABLE WIRE BENDING SPACE IS PROVIDED. (SEE AMP SIZE BELOW)
- GROUND LUGS ARE PROVIDED STANDARD AS FOLLOWS. (SEE AMP SIZE BELOW).
- CUSTOMER TERMINAL BLOCKS:  
FOR ALL 300 SERIES 3NDTS, 3ADTS UNITS THE TB WILL BE MOUNTED ON THE UPPER RIGHT INSIDE OF ENCLOSURE.  
FOR ALL 3ATS AND 3NTS UNITS TB WILL BE MOUNTED ON THE TRANSFER SWITCH FRAME AS INDICATED.

## NOTES 1200 AMP SWITCHES

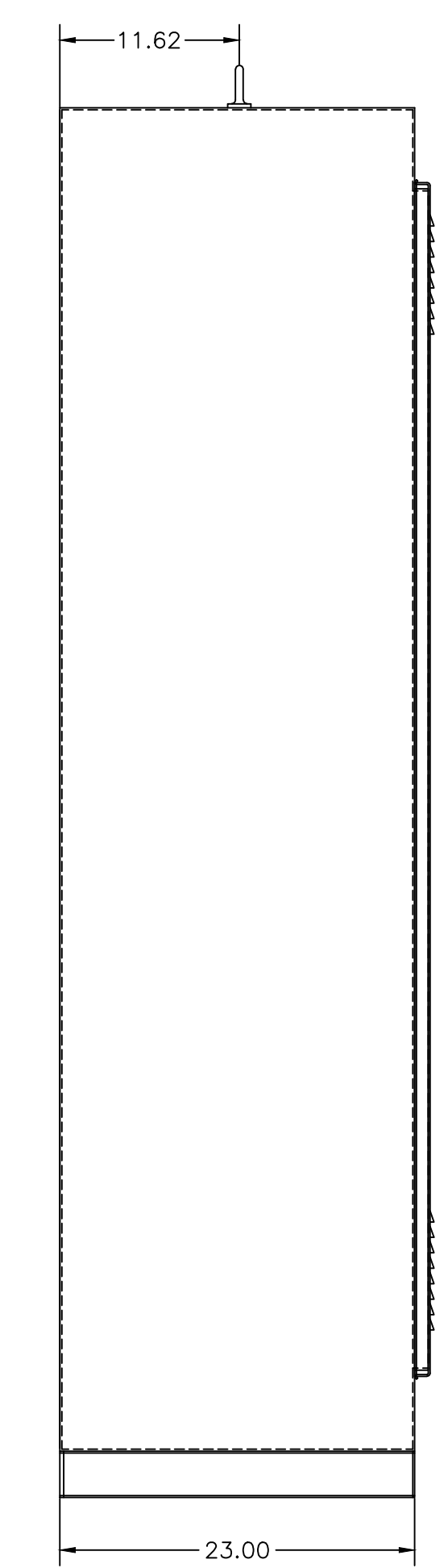
- SUPPLIED WITH STANDARD MECHANICAL (SCREW TYPE) LUGS ON THE NORMAL, EMERGENCY & LOAD BUS STABS. ONE (1) LUG PER PHASE AND NEUTRAL EACH SUITABLE FOR CONNECTION OF FOUR (4) 1/0 - 750MCM CU/AL CABLE (SEE NOTE "E" BELOW).  
A. SUITABLE WIRE BENDING SPACE IS PROVIDED FOR UP TO FOUR (4) 750MCM CABLES PER TERMINAL PER NEC.  
\*FOR OPTIONAL LOAD OUT BOTTOM & NEUTRAL TYPE A: SOLID NEUTRAL- WIRE BENDING SPACE IS PROVIDED FOR UP TO FOUR (4) 600MCM CABLES PER TERMINAL PER NEC.
- GROUND LUGS ARE PROVIDED STANDARD AS FOLLOWS;  
(12) 1/0 - 750MCM CU/AL CABLE CONNECTIONS.

APPROXIMATE SHIPPING WEIGHT, LBS (KG)

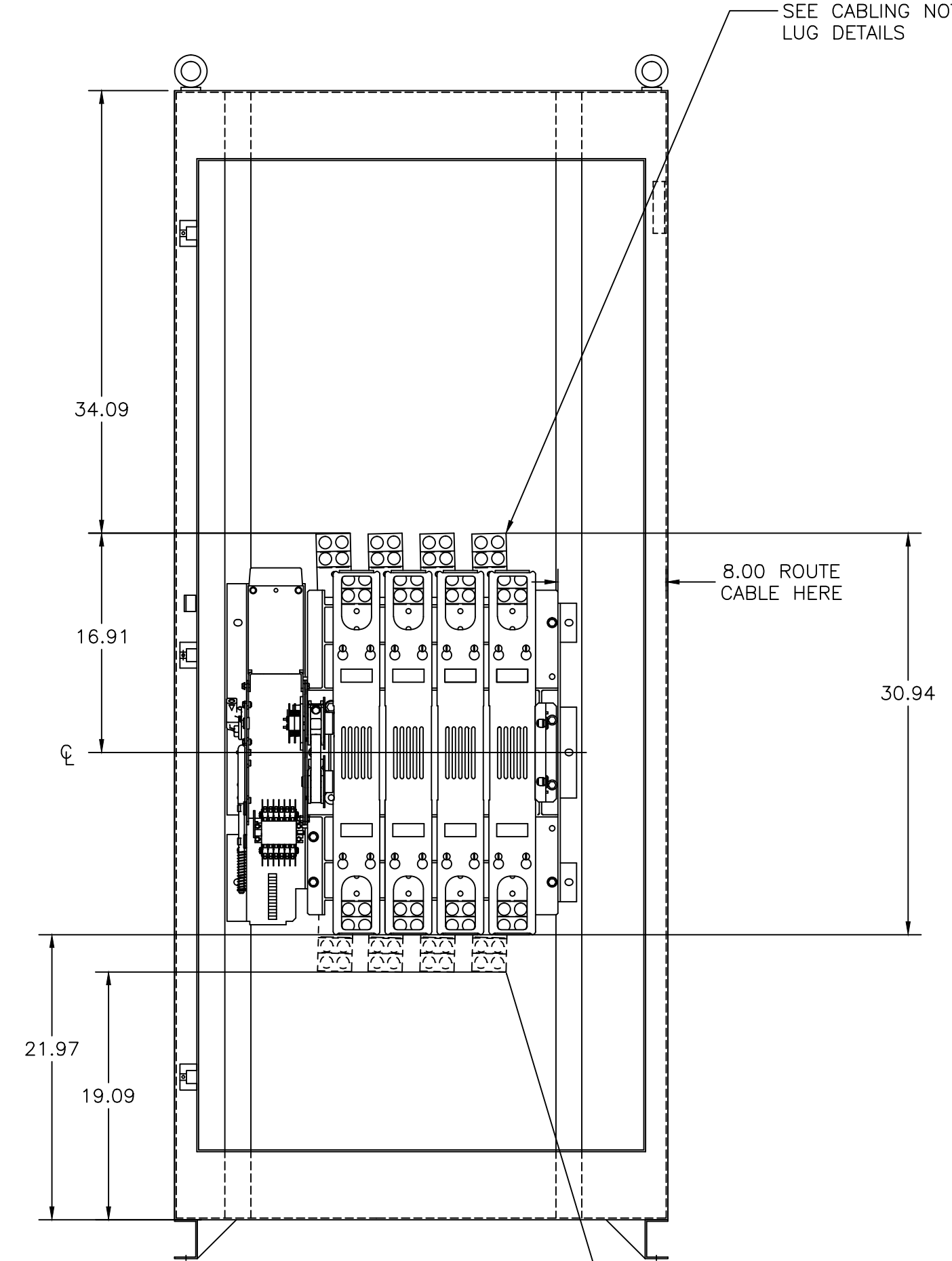
SWITCH RATING (AMPS)	POLES	WEIGHTS LB (KG)
1200	2	631 (286)
1200	3	660 (299)
1200	4	689 (313)

245740	TR	BK	12/06/13
ISSUED	BY	APP.	DATE
REV. TO SHEET	ECN NO.		

PROJECT NAME:				COMPUTER GENERATED DRAWING			
OUTLINE				SCALE: NONE SIZE DS			
300 SERIES				DRAWING NO. 1001394-003			
1200 AMP, TYPE 3R				SHEET 1 OF 1			
DRAWN BY	DATE	MANUFACTURING TOLERANCES TO BE IN ACCORDANCE WITH ASCO PROCEDURE MP-1-003. FOR PLASTIC PARTS SEE MP-1-005.	ASSEM. REF. NO.	DWG. NO.	REV.	ECN NO.	
CHECKED	DATE	PROPERTY OF ASCO POWER TECHNOLOGIES. USE PERMITTED FOR OUR WORK ONLY. ALL RIGHTS OF DESIGN OR INVENTION ARE RESERVED.					
PROJECT APPROVAL	DATE						
FINAL APPROVAL	DATE						

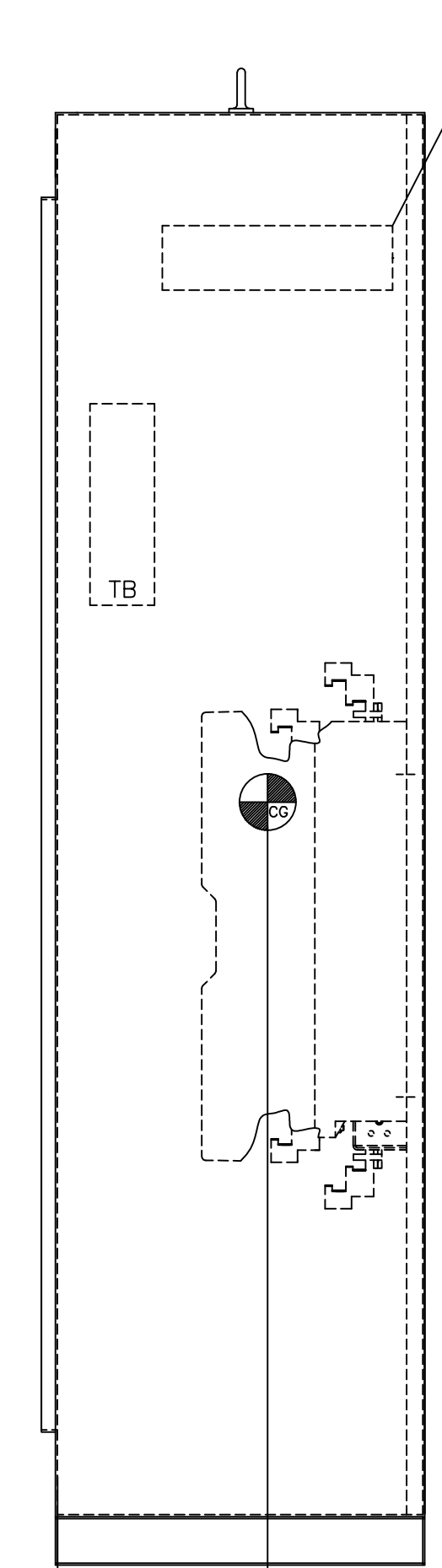


LEFT SIDE VIEW W/DOOR

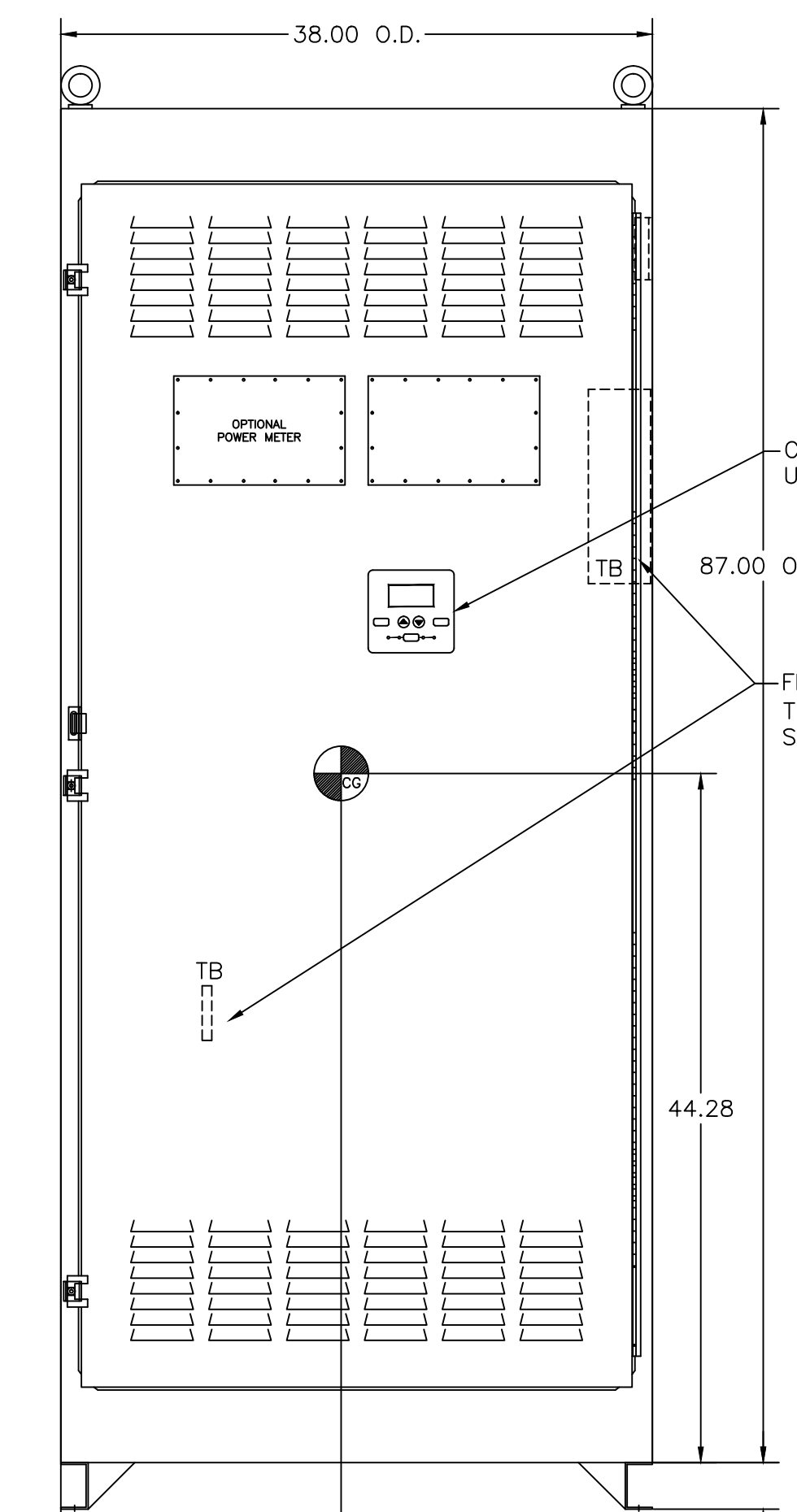


FRONT VIEW W/O DOOR

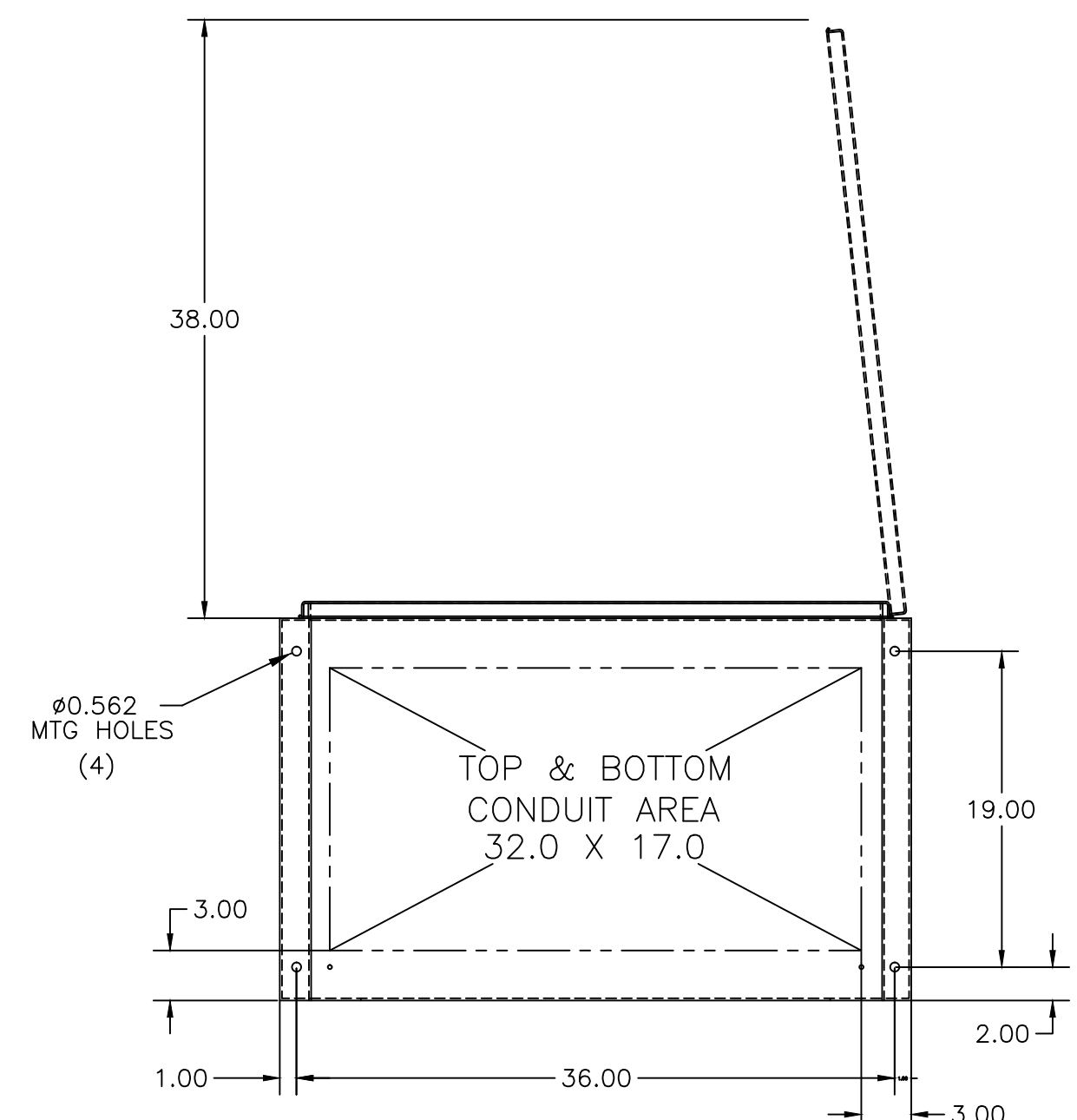
OPTIONAL LOAD ON BOTTOM & NEUTRAL TYPE A: SOLID NEUTRAL (FACTORY OPTION ONLY\*)



RIGHT SIDE VIEW



FRONT VIEW WITH DOOR



BOTTOM VIEW