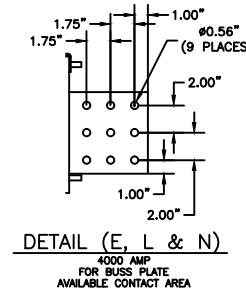


OUTLINE & MOUNTING FOR ASCO® 7000 SERIES AUTOMATIC TRANSFER SWITCH & BYPASS-ISOLATION SWITCHES TYPES 7ATB, 7ACTB & 7ADTB RATED 4000 AMPERES

BUS/LUG DISTANCE TO INSIDE OF BACK PANEL		
	DIM.	4000 A
ALL BUS TO INSIDE OF BACK PANEL	"A"	42.73
ALL LUG TO INSIDE OF BACK PANEL	"B"	40.07

GENERAL NOTES

- TYPE 1 ENCLOSURE. FREE STANDING. FLOOR MOUNTED. CODE GAUGE STEEL.
- NEC STANDARD GAUGE PAN TYPE DOORS WITH LOCKABLE HANDLES AND REMOVABLE COVERS.
- FINISH: ANSI 61 GRAY, POLYESTER POWDER.
- CONSTRUCTION IS IN ACCORDANCE WITH APPLICABLE REQUIREMENTS OF UL 1008.
- PADLOCKING PROVISIONS ARE INCLUDED:
ISOLATION CRANK: THE TRANSFER SWITCH ISOLATION CRANK MAY BE PADLOCKED WITH THE TRANSFER SWITCH IN THE FULLY ISOLATED (DISCONNECTED POSITION).
- UNIT CAN BE ADAPTED FOR CONNECTION OF BUS DUCT FLANGES. (CONSULT FACTORY)
- RECOMMENDED CLEARANCES:
FRONT: 28.00" INCHES
REAR: 28.00" INCHES
- A 20% RATED GROUND BUS IS PROVIDED.
- A FULL RATED NEUTRAL CONNECTION FOR EACH SOURCE AND THE LOAD IS OPTIONAL. WHEN PROVIDED IT IS IN ONE OF THE FOLLOWING FORMATS AS SPECIFIED BY THE CATALOG NO. NEUTRAL TYPE:
A: SOLID NEUTRAL BUS
B: SWITCHED NEUTRAL POLE
C: OVERLAPPING NEUTRAL POLE (NOT AVAILABLE ON 7ACTB/7ADTB UNITS)
- THE STANDARD SWITCH CONFIGURATION IS FOR TOP EMERGENCY, CENTER LOAD, AND BOTTOM NORMAL. OPTIONALLY, THE SWITCH MAY BE SUPPLIED WITH REVERSE SOURCES. (REFER TO THE WIRING DIAGRAM FURNISHED WITH EACH TRANSFER SWITCH TO DETERMINE TERMINATION POSITIONS).
- CENTER OF GRAVITY—SEE TABLE BELOW.
- ENCLOSURE IS PROVIDED WITH FORKLIFT CHANNELS.

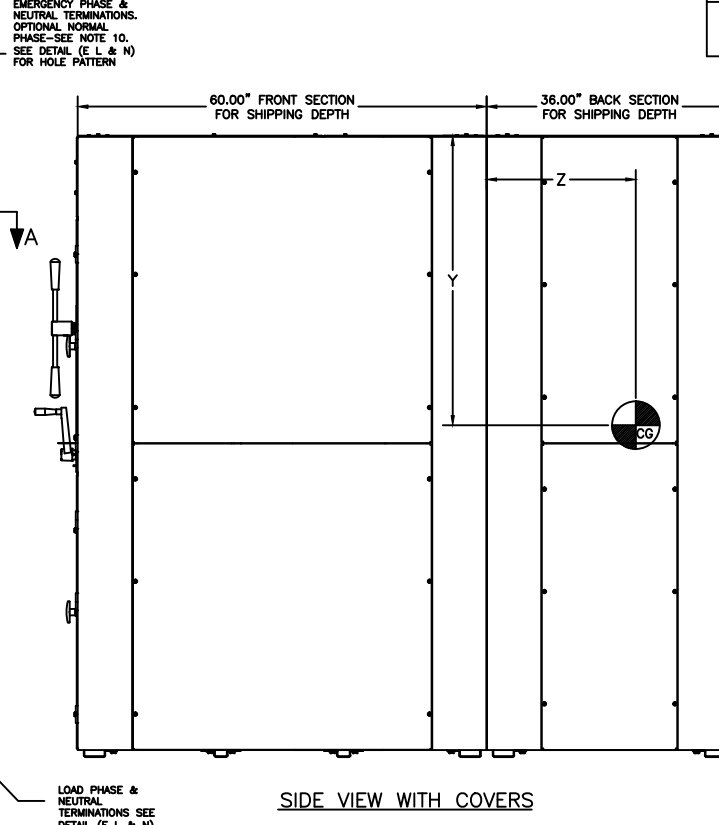
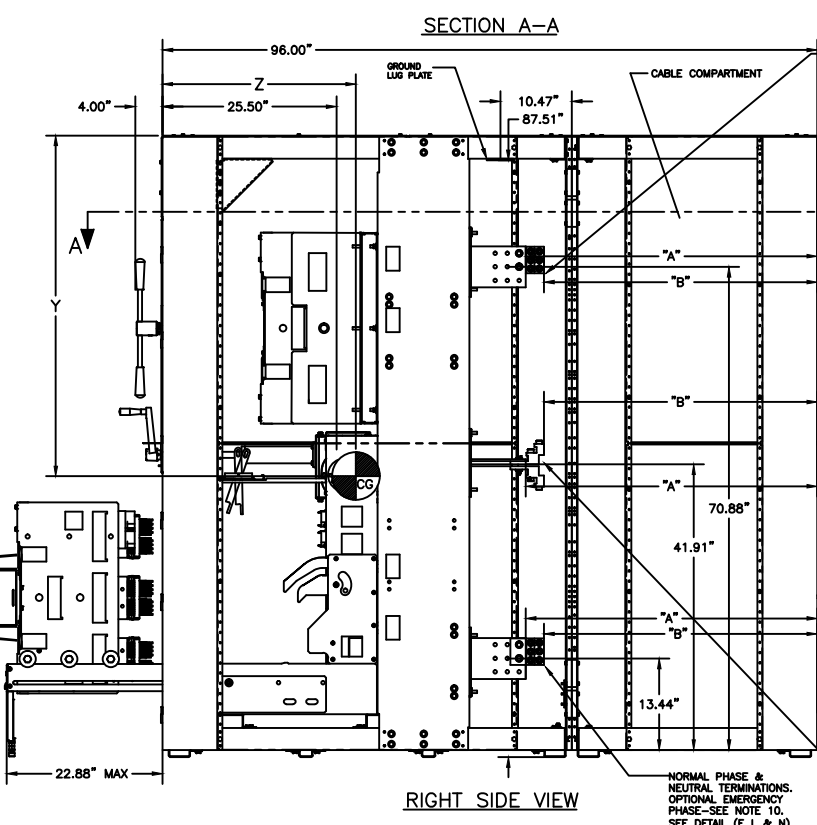
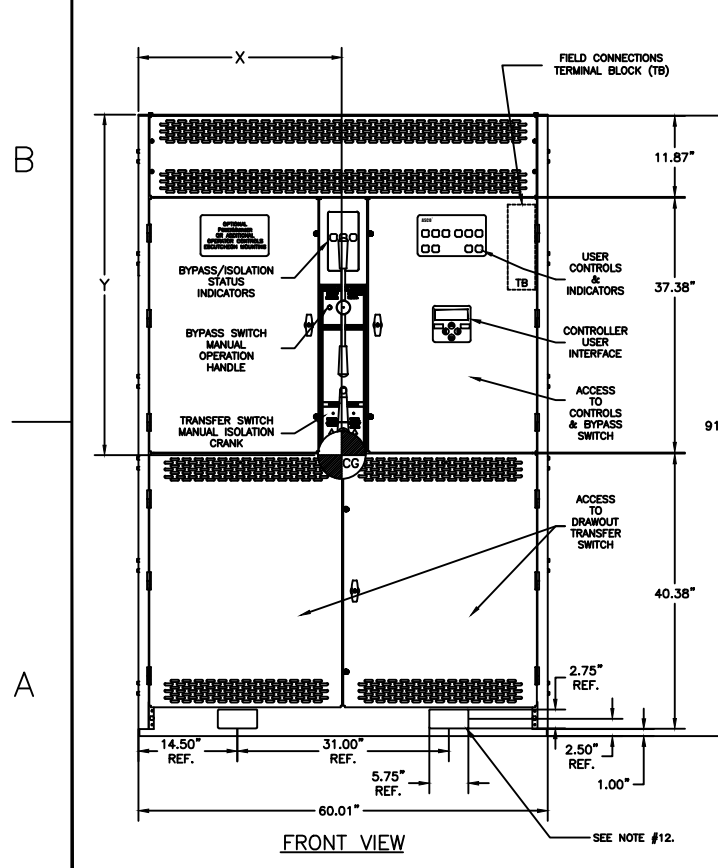
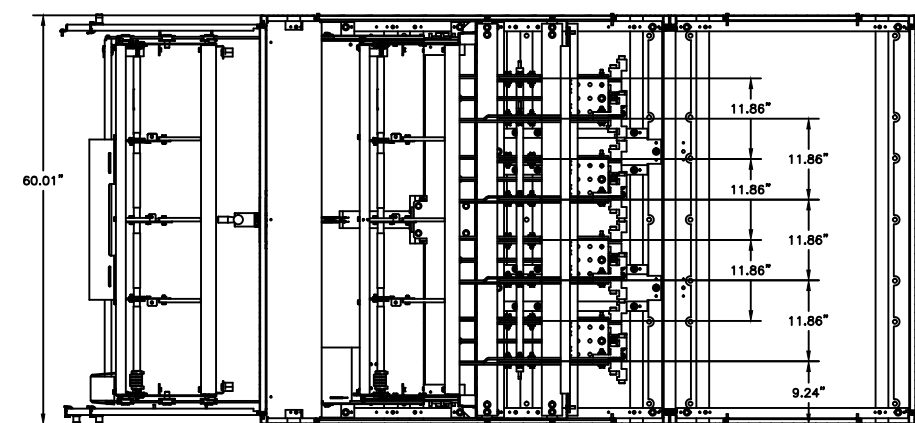
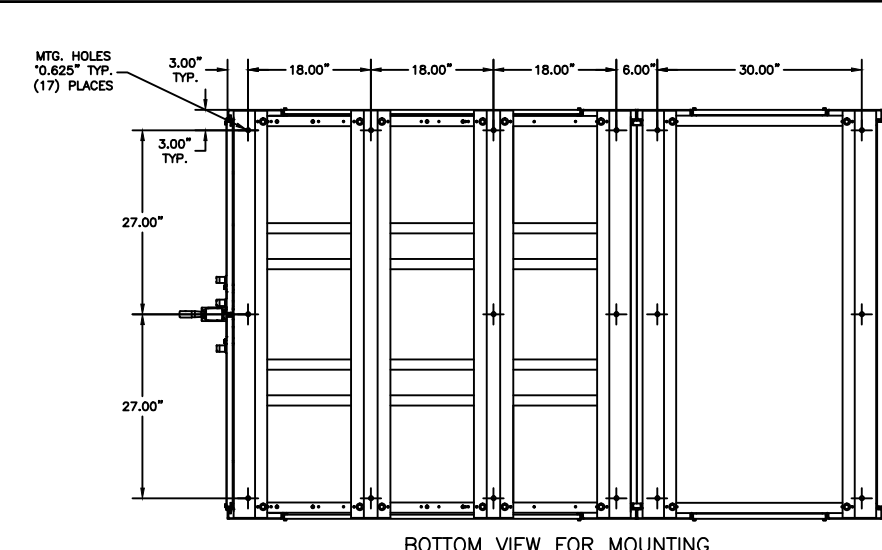
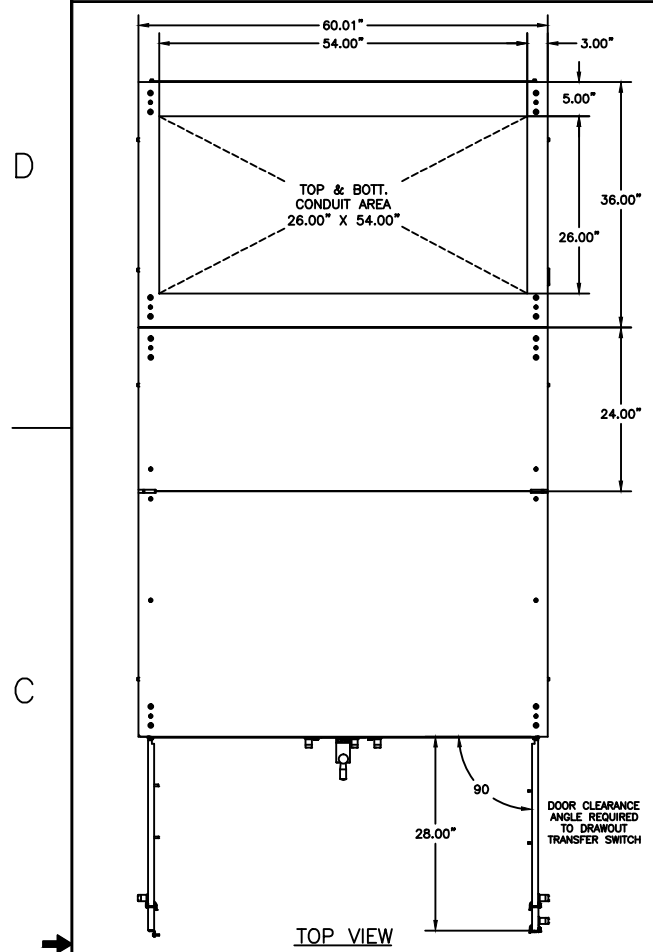


CABLING NOTES

- SUPPLIED WITH STANDARD MECHANICAL (SCREW TYPE) LUGS ON THE NORMAL, EMERGENCY & LOAD SUITABLE FOR CONNECTION OF TWELVE (12) 1/0 -750MCM CU/AL CABLES. SUITABLE WIRE BENDING SPACE IS PROVIDED FOR UP TO TWELVE (12) 750 MCM CABLES PER TERMINAL PER NEC.
- OPTIONAL LUGS. REFER TO LUG INSTALLATION DATA PROVIDED WITH THE UNIT FOR FULL INSTALLATION DETAILS.
- GROUND LUGS ARE PROVIDED STANDARD AS FOLLOWS;
(36) 1/0 - 750MCM CU/AL CABLES
- CONSULT FACTORY FOR OTHER TERMINATION REQUIREMENTS.

TABLE 1.0 SHIPPING WEIGHT, LBS (KG), AND CENTER OF GRAVITY

AMP SIZE	POLES	WEIGHTS	CENTER OF GRAVITY		
			X	Y	Z
4000	2	3371	28.1	49.93	27.5
	B2	3885	30.6	49.93	28.0
	C2	3868	30.6	49.83	28.1
	3	3880	27.6	49.93	28.0
	B3	4395	29.9	49.93	28.4
C3	4378	29.8	49.93	28.5	
PULL BOX	DEPTH	WEIGHTS	X	Y	Z
	36"	770	30.0	42.51	22.00



J	238871	TR	BK	09/10/12
	SEE ECN			
H	235341	MM	BK	01/13/12
	SEE ECN			
G	229864	WK	BK	12/02/10
	SEE ECN			
F	228548	WK	BK	08/10/10
	SEE ECN			
E	227074	BK	WK	04/19/10
	SEE ECN			
D	224520	BWM	BWM	9/25/09
	UPDATE RIGHT SIDE VIEW			
C	224333	BWM	BWM	9/9/09
	SEE ECN			
B	223713	BWM	SDH	7/15/09
	UPDATE NOTES			
A	222920	WK	JPB	07/01/09
	SEE ECN			
	222685	TR	BK	04/23/09
	ISSUE			

PROJECT NAME: ENCLOSURE OUTLINE
 7000 SERIES (G7A*TB) 3PH 4000 AMPS
 "G" FRAME, TYPE 1 91x80x96

MANUFACTURING TOLERANCES TO BE IN ACCORDANCE WITH ASCO PROCEDURE MP-1-003. FOR PLASTIC PARTS SEE MP-1-005.

PROPERTY OF ASCO POWER TECHNOLOGIES. USE PERMITTED FOR OUR WORK ONLY. ALL RIGHTS OF DESIGN OR INVENTION ARE RESERVED.

ASCO® ASCO POWER TECHNOLOGIES, L.P.
 FLOHAM PARK, NEW JERSEY 07932 U.S.A.

727401
 SHEET 1 OF 1