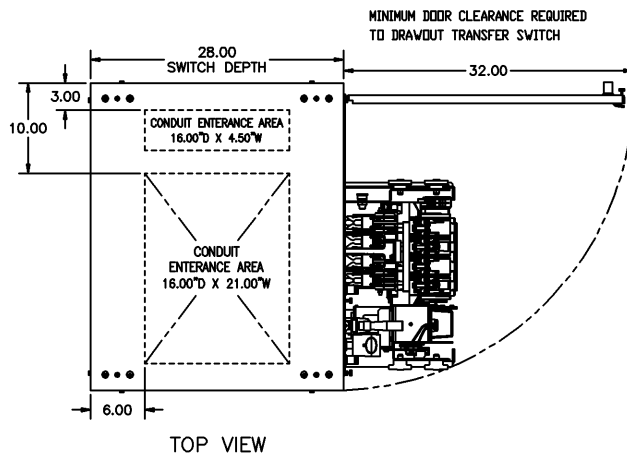


OUTLINE & MOUNTING FOR ASCO® 7000 SERIES FRONT CONNECTED AUTOMATIC TRANSFER & BYPASS-ISOLATION SWITCHES TYPES J7ATB, J7ACTB & J7ADTB RATED 150-600 AMPS



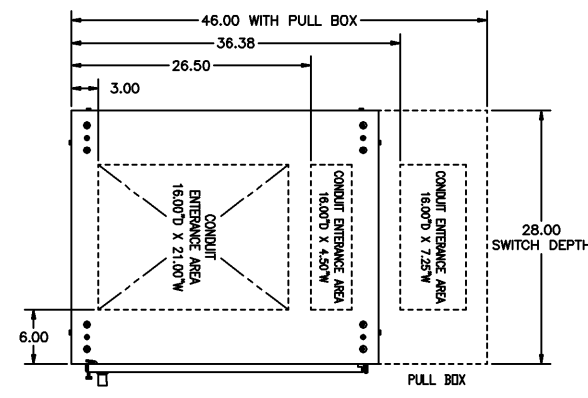
TOP VIEW

POLE 4
NEUTRAL
(3ph/4w & 2ph/3w UNITS)
SWITCHED, OR OVERLAPPING TYPES

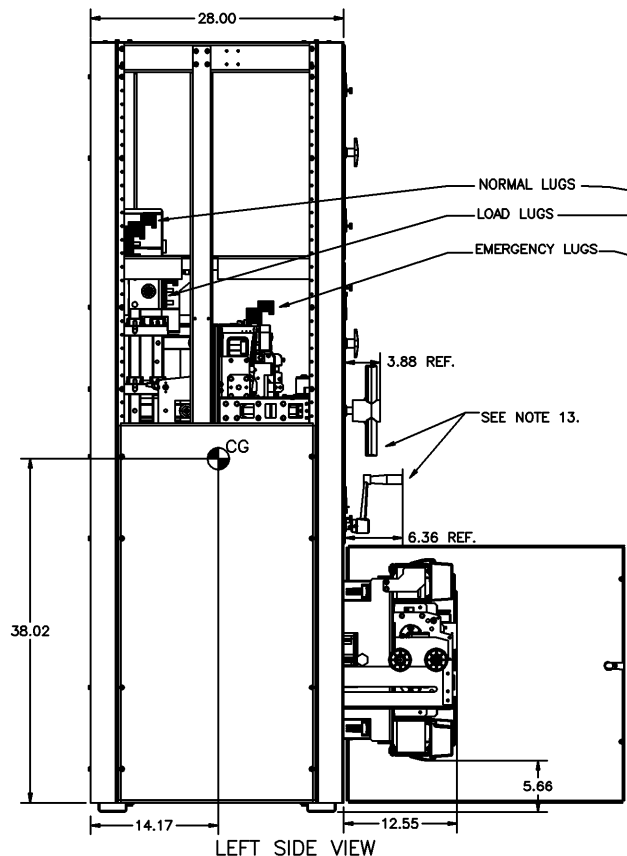
POLE 3
PHASE C (3ph UNIT)
PHASE L2 (2ph UNIT)

POLE 2
PHASE B (3ph UNIT)
BLANK (2ph UNIT)

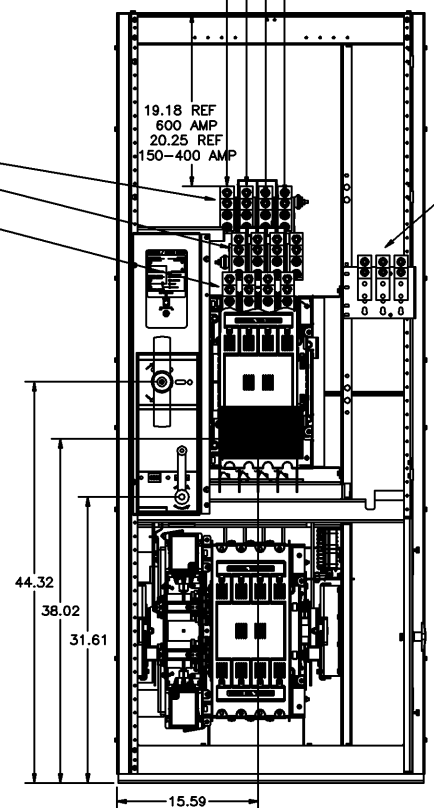
POLE 1
PHASE A (3ph UNIT)
PHASE L1 (2PH UNIT)



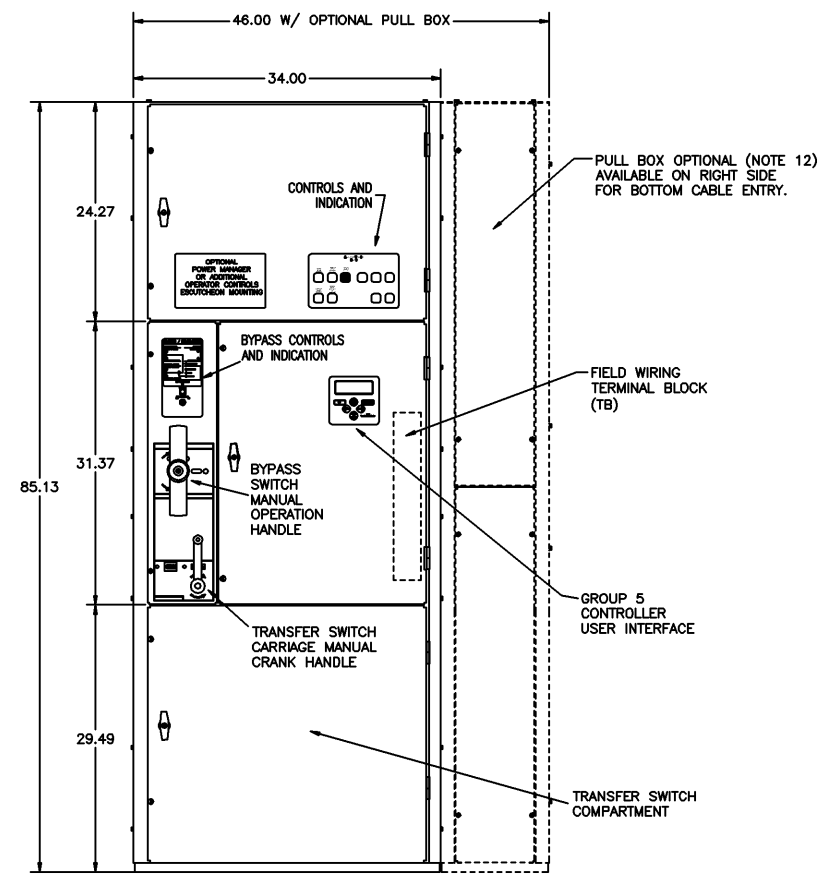
TOP VIEW



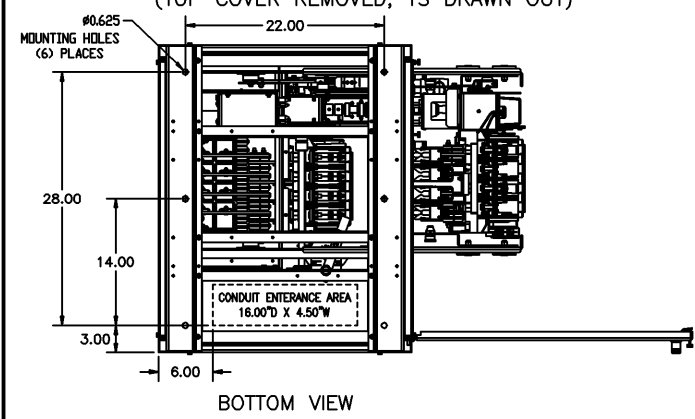
LEFT SIDE VIEW
(TOP COVER REMOVED, TS DRAWN OUT)



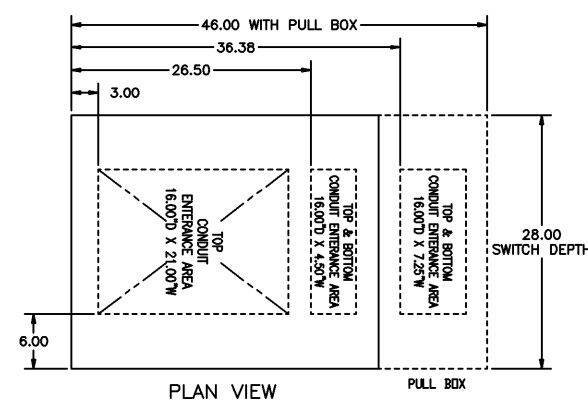
FRONT VIEW
(COVERS AND DOORS REMOVED)



FRONT VIEW
(DOORS INSTALLED)



BOTTOM VIEW



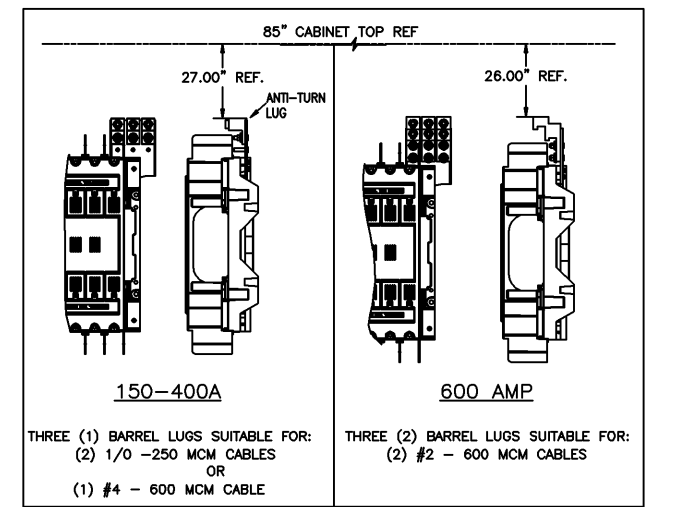
PLAN VIEW

- GENERAL NOTES**
- TYPE 1 ENCLOSURES. FREE STANDING. FLOOR MOUNTED. 12 GAUGE FORMED FRAME CONSTRUCTION.
 - NEC STANDARD GAUGE PAN TYPE DOORS WITH LOCKABLE HANDLES AND REMOVABLE COVERS.
 - FINISH: ANSI 61 GRAY, POLYESTER POWDER. UL RECOGNIZED. OTHER ANSI COLORS AVAILABLE. CONSULT FACTORY.
 - CONSTRUCTION IS IN ACCORDANCE WITH UL 1008.
 - PADLOCKING PROVISIONS ARE INCLUDED.
 - ISOLATION HANDLE: THE TRANSFER SWITCH ISOLATION HANDLE MAY BE PADLOCKED WITH THE TRANSFER SWITCH IN THE FULLY ISOLATED (DISCONNECTED POSITION).
 - UNIT CAN BE ADAPTED FOR CONNECTION OF BUS DUCT FLANGES. (CONSULT FACTORY)
 - RECOMMENDED FRONT CLEARANCE: 32 INCHES MINIMUM.
 - A 20% RATED GROUND BUS IS PROVIDED.
 - A FULL RATED NEUTRAL CONNECTION FOR EACH SOURCE AND THE LOAD IS OPTIONAL. WHEN PROVIDED IT IS IN ONE OF THE FOLLOWING FORMATS AS SPECIFIED BY THE CATALOG NO. NEUTRAL TYPE:
 - TYPE A: SOLID (COPPER BUS) NEUTRAL
 - TYPE B: SWITCHED NEUTRAL POLE
 - TYPE C: OVERLAPPING NEUTRAL POLE (NOT AVAILABLE ON 7ADTB & 7ACTB UNITS)

- APPROXIMATE WEIGHT: 950 LBS.
- STANDARD OUTLINE FOR A FOUR POLE 600 AMP TRANSFER SWITCH WITH BYPASS/ISOLATION SWITCH SHOWN. SEE DETAIL "A" FOR LUG CONFIGURATION OF SOLID NEUTRAL.
- IF A PULL BOX IS PROVIDED THE RIGHT SIDE SKINS ARE REMOVED FROM SWITCH ENCLOSURE AND (4) MOUNTING BLOCKS P/N 757047 ARE USED TO CONNECT THE TWO SECTIONS TOGETHER. REFER TO DRAWING 805550 FOR PULL BOX DETAILS. PULL BOX AND SWITCH ENCLOSURE CAN BE SHIPPED AS ONE UNIT OR PULL BOX CAN BE SUPPLIED INDEPENDENTLY.
- BOTH BYPASS SWITCH MANUAL OPERATION HANDLE & TRANSFER SWITCH CARRIAGE MANUAL CRANK HANDLE CAN BE REMOVED. ALSO NOTE THAT THE TRANSFER SWITCH CARRIAGE MANUAL CRANK HANDLE CAN BE LEFT IN PLACE AND FOLDED DOWN.
- CENTER OF GRAVITY.

- CABLING NOTES**
- ALL SIZES SUPPLIED STANDARD WITH MECHANICAL (SCREW TYPE) LUGS. (SEE AMP SIZE BELOW)
 - A. LUG MATERIAL: ALUMINUM ALLOY 6061-T6 WITH ELECTRO TIN PLATED FINISH.
 - B. SCREW MATERIAL: ALUMINUM ALLOY 6262-T9 WITH ELECTRO TIN PLATED FINISH.
 - C. UL LISTED, CSA CERTIFIED.
 - D. LUG MAX WIRE TIGHTENING TORQUE PER UL 486B: SEE TABLE BELOW.
 - OPTIONAL COPPER CRIMP LUGS MAY BE SUPPLIED. CONSULT FACTORY.
 - A. LUG MATERIAL: HIGH CONDUCTIVITY WROUGHT COPPER FINISH, ELECTRO TIN PLATED.
 - B. UL LISTED, CSA CERTIFIED.
 - C. LUG MOUNTING HARDWARE TIGHTENING TORQUE: (REFER TO WITHSTAND CURRENT RATING LABEL PROVIDED ON EACH TRANSFER SWITCH).
 - D. SUITABLE WIRE BENDING SPACE IS PROVIDED.
 - GROUND LUGS ARE PROVIDED STANDARD AS FOLLOWS:
 - (6) #4-600MCM AL/CU CABLES FOR 600 AMP
 - (3) 1/0-250MCM AL/CU CABLES FOR 150-400 AMP.
 - CONSULT FACTORY FOR OTHER TERMINATION REQUIREMENTS.

SIZE	CABLE ACCOMMODATIONS (PER PHASE & NEUTRAL)	LUG TORQUE
150-400	SCREW TYPE (STANDARD)- (2) 1/0 - 250 MCM AL/CU OR (1) #4 - 600 MCM AL/CU	500 IN.-LBS.
600	SCREW TYPE (STANDARD)- (2) #2 - 600 MCM AL/CU	375 IN.-LBS.



REV.	NO.	DATE	BY	APP.
F	217821	WK BK 04/14/08		
E	215086	KH BK 9/12/07		
D	214322	WK BK 07/20/07		
C	213945	EWB JPB 6/22/07		
B	210800	EWB JPB 11/15/06		
A	210436	EWB/EWM 10/11/06		
G	219309	WK BK 07/27/08		

PROJECT NAME: **OUTLINE & MOUNTING**

150-600 AMP TYPE 1 TB/CTB/DTB
FRONT CONNECTED BYPASS

MANUFACTURING TOLERANCES TO BE IN ACCORDANCE WITH ASCO PROCEDURE MP-1-003. FOR PLASTIC PARTS SEE MP-1-005.

ASSEMBLY REF. NO.

COMPUTER GENERATED DRAWING

SCALE: 1/11 SIZE: DS

DWG. NO.: 802093

REV. G

ASC POWER TECHNOLOGIES, LP.
FLORHAM PARK, NEW JERSEY 07932 U.S.A.

REV. 219309

SHEET 1 OF 1