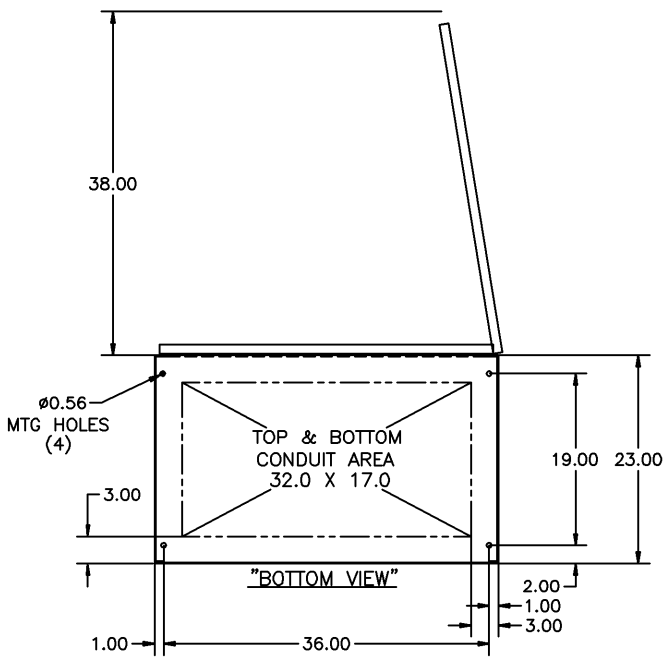
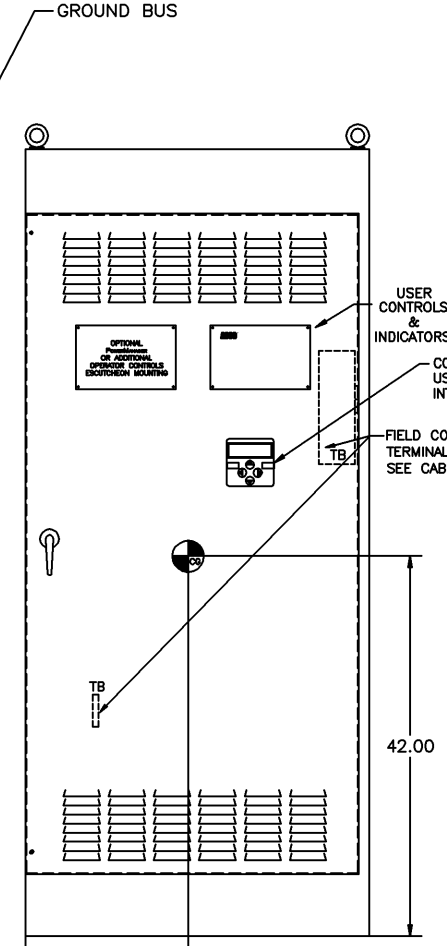
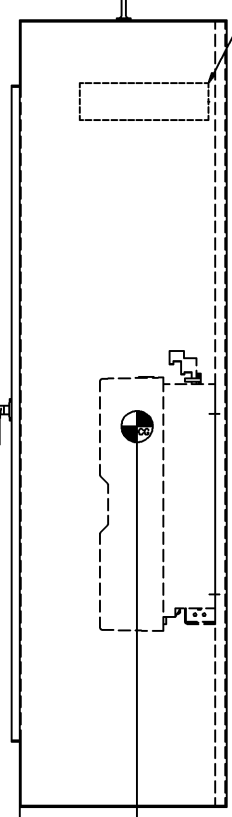
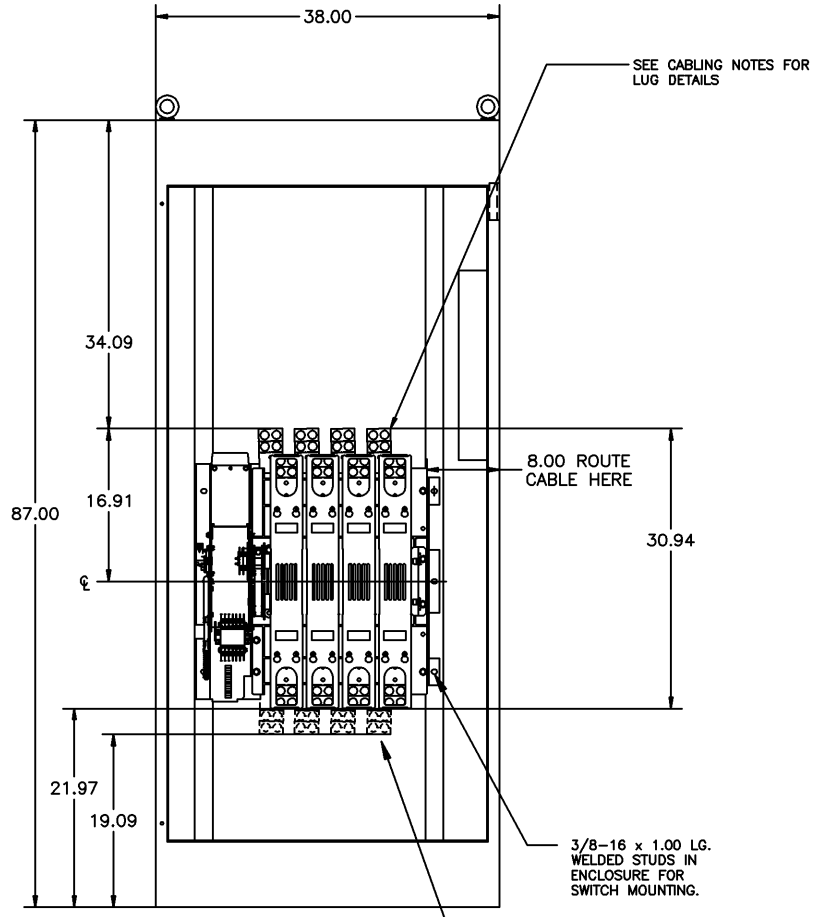
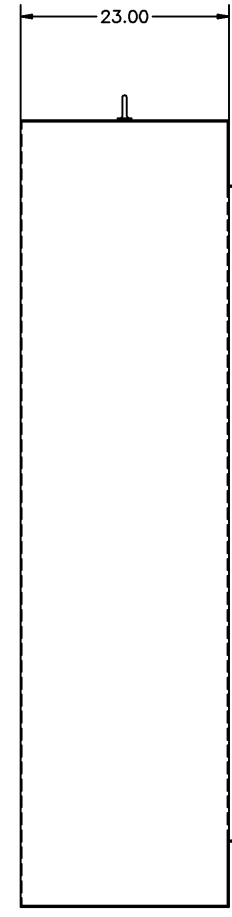


OUTLINE FOR ASCO® 4000 & 7000 SERIES 1200 AMPERE "H" FRAME (ATS,ACTS,ADTS) FRONT CONNECTED TRANSFER SWITCH TYPE 1 ENCLOSURE



GENERAL NOTES

- TYPE 1 ENCLOSURE. FREE STANDING. FLOOR MOUNTED. CODE GAUGE FORMED FRAME CONSTRUCTION.
- NEC STANDARD GAUGE PAN TYPE DOOR WITH LOCKABLE HANDLE.
- FINISH: ANSI 61 GRAY, POLYESTER POWDER STANDARD. OTHER ANSI COLORS AVAILABLE. CONSULT FACTORY UL RECOGNIZED.
- RECOMMENDED CLEARANCES: FRONT: 36 INCHES
- A 20% RATED GROUND BUS IS PROVIDED.
- UNIT IS DESIGNED FOR COMBINATION TOP AND BOTTOM CABLE ENTRY. THE STANDARD SWITCH CONFIGURATION IS FOR TOP LUGS EMERGENCY AND LOAD AND BOTTOM LUGS NORMAL. OPTIONALLY, THE SWITCH MAY BE SUPPLIED WITH REVERSE NORMAL & EMERGENCY LUGS. (REFER TO THE WIRING DIAGRAM FURNISHED WITH EACH TRANSFER SWITCH TO DETERMINE TERMINATION POSITIONS).
- NEUTRAL CONFIGURATIONS:
AN OPTIONAL FULL RATED NEUTRAL CONFIGURATION FOR EACH SOURCE AND THE LOAD MAY BE PROVIDED. WHEN EQUIPPED IT IS IN ONE OF THE FOLLOWING FORMATS AS SPECIFIED BY THE CATALOG NUMBER NO. NEUTRAL TYPE:
(A) SOLID (COPPER BUS) NEUTRAL
(B) SWITCHED NEUTRAL POLE
(C) OVERLAPPING NEUTRAL POLE (NOT AVAILABLE ON ACTS/ADTS UNITS)
- NO KNOCKOUTS ARE PROVIDED.

SERIES	CATALOG PREFIX
4000	4ATS
	4NTS
	4ACTS
	4NCTS
7000	4ADTS
	4NDTS
	7ATS
	7NTS
	7ACTS
	7NCTS
	7ADTS
	7NDTS

CABLING NOTES

- ALL SIZES SUPPLIED STANDARD WITH MECHANICAL (SCREW TYPE) LUGS. (SEE AMP SIZE BELOW)
A. LUG MATERIAL: ALUMINUM ALLOY 6061-T6 WITH ELECTRO TIN PLATED FINISH.
B. SCREW MATERIAL: ALUMINUM ALLOY 6262-T9 WITH ELECTRO TIN PLATED FINISH.
C. UL LISTED, CSA CERTIFIED.
D. LUG SCREW TIGHTENING TORQUE PER UL 486B: 19 FT.-LBS.
E. SUITABLE WIRE BENDING SPACE IS PROVIDED. (SEE AMP SIZE BELOW)
- OPTIONAL COPPER CRIMP LUGS MAY BE SUPPLIED. (SEE AMP SIZE BELOW)
A. LUG MATERIAL: HIGH CONDUCTIVITY WROUGHT COPPER FINISH, ELECTRO TIN PLATED.
B. UL LISTED, CSA CERTIFIED.
C. LUG MOUNTING HARDWARE TIGHTENING TORQUE: (REFER TO WITHSTAND CURRENT RATING LABEL PROVIDED ON EACH TRANSFER SWITCH).
D. SUITABLE WIRE BENDING SPACE IS PROVIDED. (SEE AMP SIZE BELOW)
- CONSULT FACTORY FOR OTHER TERMINATION REQUIREMENTS.
- GROUND LUGS ARE PROVIDED STANDARD AS FOLLOWS. (SEE AMP SIZE BELOW).
5. CUSTOMER TERMINAL BLOCKS:
FOR ALL 7000 SERIES AND 4000 SERIES ACTS, ADTS, NCTS, & NDTS UNITS THE TB WILL BE MOUNTED ON THE UPPER RIGHT INSIDE OF ENCLOSURE.
FOR 4000 SERIES ATS AND NTS UNITS THE TB WILL BE MOUNTED ON THE TRANSFER SWITCH FRAME AS INDICATED.

NOTES 1200 AMP SWITCHES

- SUPPLIED WITH STANDARD MECHANICAL (SCREW TYPE) LUGS ON THE NORMAL, EMERGENCY & LOAD BUS STABS. ONE (1) LUG PER PHASE AND NEUTRAL EACH SUITABLE FOR CONNECTION OF FOUR (4) 1/0 - 750MCM CU/AL CABLE (SEE NOTE "E" BELOW).
A. SUITABLE WIRE BENDING SPACE IS PROVIDED FOR UP TO FOUR (4) 600MCM CABLES PER TERMINAL PER NEC.
- OPTIONAL COPPER CRIMP LUGS MAY BE SUPPLIED. UP TO FOUR (4) TWO HOLE, LONG BARREL CU CRIMP LUGS RATED FOR UP TO 600MCM. (REFER TO CRIMP LUG INSTALLATION DATA PROVIDED WITH UNIT FOR FULL INSTALLATION DETAILS).
A. SUITABLE WIRE BENDING SPACE IS PROVIDED FOR UP TO FOUR (4) 600MCM CABLES PER TERMINAL PER NEC.
- GROUND LUGS ARE PROVIDED STANDARD AS FOLLOWS:
(12) 1/0 - 750MCM CU/AL CABLE CONNECTIONS.

APPROXIMATE SHIPPING WEIGHT, LBS (KG)

SWITCH RATING (AMPS)	POLES	WEIGHTS LB (KG)
1200	2	581 (264)
1200	3	610 (277)
1200	4	639 (290)

G	211505	WK	BK	01/08/07
	SEE ECN			
F	207031	AJM	WK	05/09/06
	SEE ECN			
E	205109	AJM	WK	07/12/05
	SEE ECN			
D	183251	AMS	WK	03/28/03
	SEE ECN			
C	159648	NM	WK	12/18/01
	SEE ECN			
B	158252	BWM	WK	7/17/01
	SEE ECN			
A	157639	BWM	WK	5/01
	SEE ECN			
-	157366	BWM	WK	4/17/01
	ISSUED			

PROJECT NAME: OUTLINE 4000/7000 SERIES

THIRD ANGLE PROJECTION

COMPUTER GENERATED DRAWING

SCALE: 1:1 ACAD FILE

SIZE: DWG. NO. DS713201

CHANGE G ECN 211505 SHEET 1 OF 1

ASCO POWER TECHNOLOGIES, L.P. FLORHAM PARK, NEW JERSEY 07932 U.S.A.