


# OUTLINE FOR ASCO® 7000 SERIES 2600-4000 AMPERE "U" FRAME (ATS,ACTS,ADTS) REAR CONNECTED TRANSFER SWITCHES TYPE 1 ENCLOSURE

## GENERAL NOTES

- TYPE 1 ENCLOSURE. FREE STANDING. FLOOR MOUNTED. CODE GAUGE FORMED FRAME CONSTRUCTION.
- PAN TYPE DOOR WITH KEY LOCKABLE HANDLE.
- FINISH: ANSI 61 GRAY, POLYESTER POWDER STANDARD. OTHER ANSI COLORS AVAILABLE CONSULT FACTORY UL RECOGNIZED.
- CONSTRUCTION IS IN ACCORDANCE WITH APPLICABLE REQUIREMENTS OF UL 1008.
- RECOMMENDED CLEARANCES:  
FRONT: 38 INCHES  
REAR: 36 INCHES
- A 20% RATED GROUND BUS IS PROVIDED.
- UNIT IS DESIGNED FOR COMBINATION TOP AND BOTTOM CABLE ENTRY. THE STANDARD SWITCH CONFIGURATION IS FOR EMERGENCY SOURCE ON TOP AND NORMAL SOURCE ON BOTTOM. OPTIONALLY, THE SWITCH MAY BE SUPPLIED WITH REVERSE NORMAL & EMERGENCY SOURCES. (REFER TO THE WIRING DIAGRAM FURNISHED WITH EACH TRANSFER SWITCH TO DETERMINE TERMINATION POSITIONS).
- NEUTRAL CONFIGURATIONS:  
AN OPTIONAL FULL RATED NEUTRAL CONFIGURATION FOR EACH SOURCE AND THE LOAD MAY BE PROVIDED. WHEN EQUIPPED IT IS IN ONE OF THE FOLLOWING FORMATS AS SPECIFIED BY THE CATALOG NUMBER NO. NEUTRAL TYPE:  
(A) SOLID (COPPER BUS) NEUTRAL  
(B) SWITCHED NEUTRAL POLE
-  CENTER OF GRAVITY—SEE TABLE BELOW.
- NO KNOCKOUTS ARE PROVIDED.
- ENCLOSURE IS PROVIDED WITH FORKLIFT CHANNELS.

## CABLING NOTES

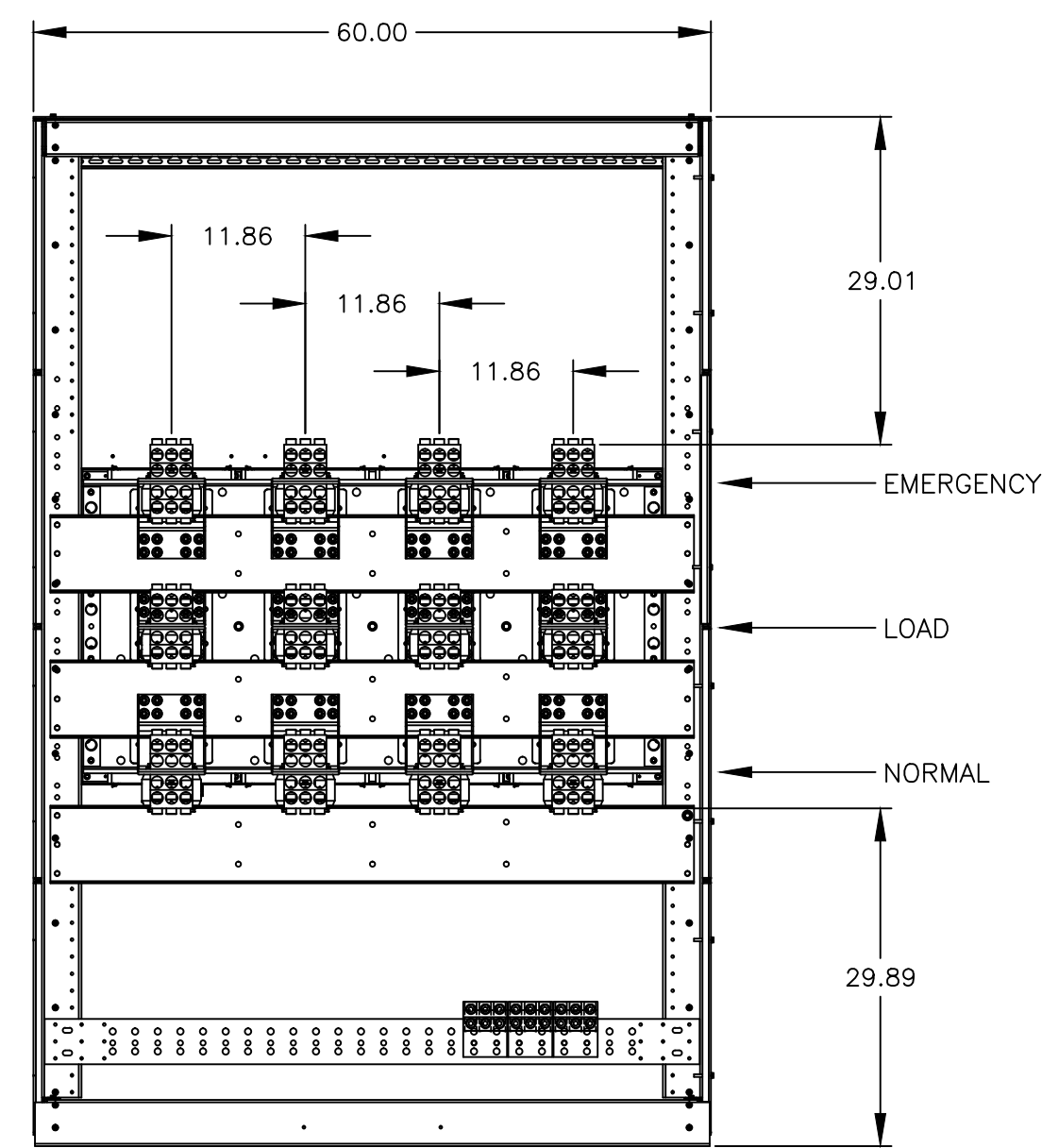
- SUPPLIED WITH STANDARD MECHANICAL (SCREW TYPE) LUGS ON THE NORMAL, EMERGENCY & LOAD SUITABLE FOR CONNECTION OF TWELVE (12) 1/0 - 750MCM CU/AL CABLES. SUITABLE WIRE BENDING SPACE IS PROVIDED FOR UP TO TWELVE (12) 750 MCM CABLES PER TERMINAL PER NEC.
- OPTIONAL LUGS:  
REFER TO LUG INSTALLATION DATA PROVIDED WITH THE UNIT FOR FULL INSTALLATION DETAILS.
- GROUND LUGS ARE PROVIDED STANDARD AS FOLLOWS;  
(18) 1/0 - 750MCM CU/AL CABLES.
- CONSULT FACTORY FOR OTHER TERMINATION REQUIREMENTS.

TABLE 1.0 SHIPPING WEIGHT/LBS, AND CENTER OF GRAVITY

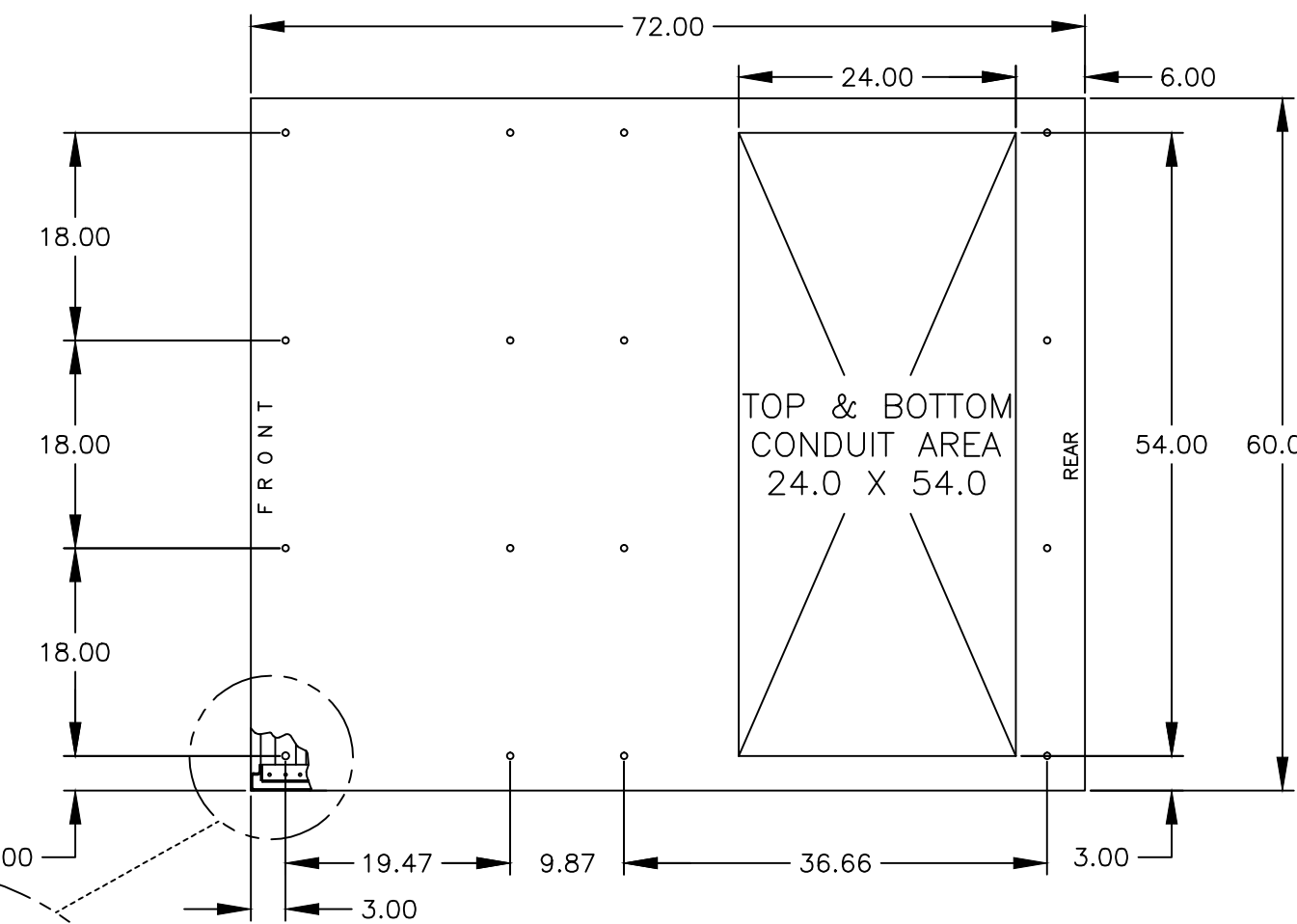
AMP SIZE	POLES	WEIGHTS LBS	CENTER OF GRAVITY		
			X INCHES	Y INCHES	Z INCHES
2600 3000 3200 4000	2	2119	28.7	42.3	30.9
	B2	2299	28.3	42.5	30.6
	3	2299	28.3	42.5	30.6
	B3	2478	29.8	42.7	30.3

TABLE 2.0 CATALOG PREFIX

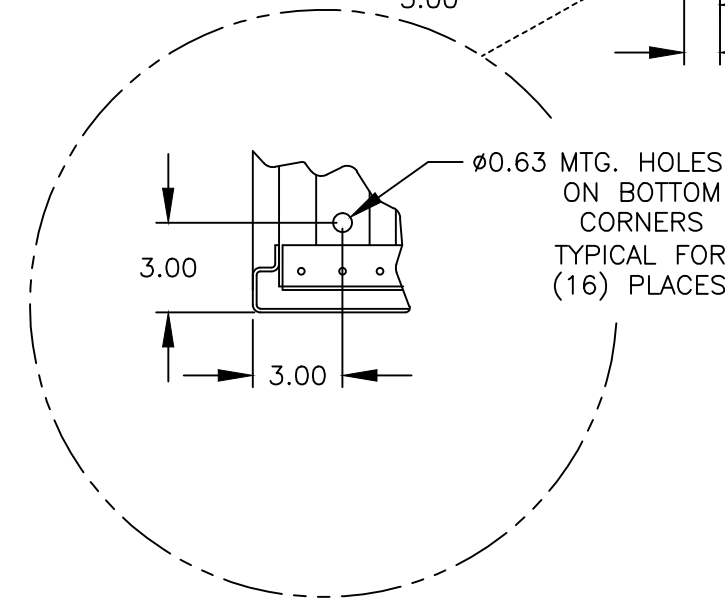
TS SERIES	PREFIX
7000	7ATS
	7NTS
	7ACTS
	7NCTS
	7ADTS
	7NDTS



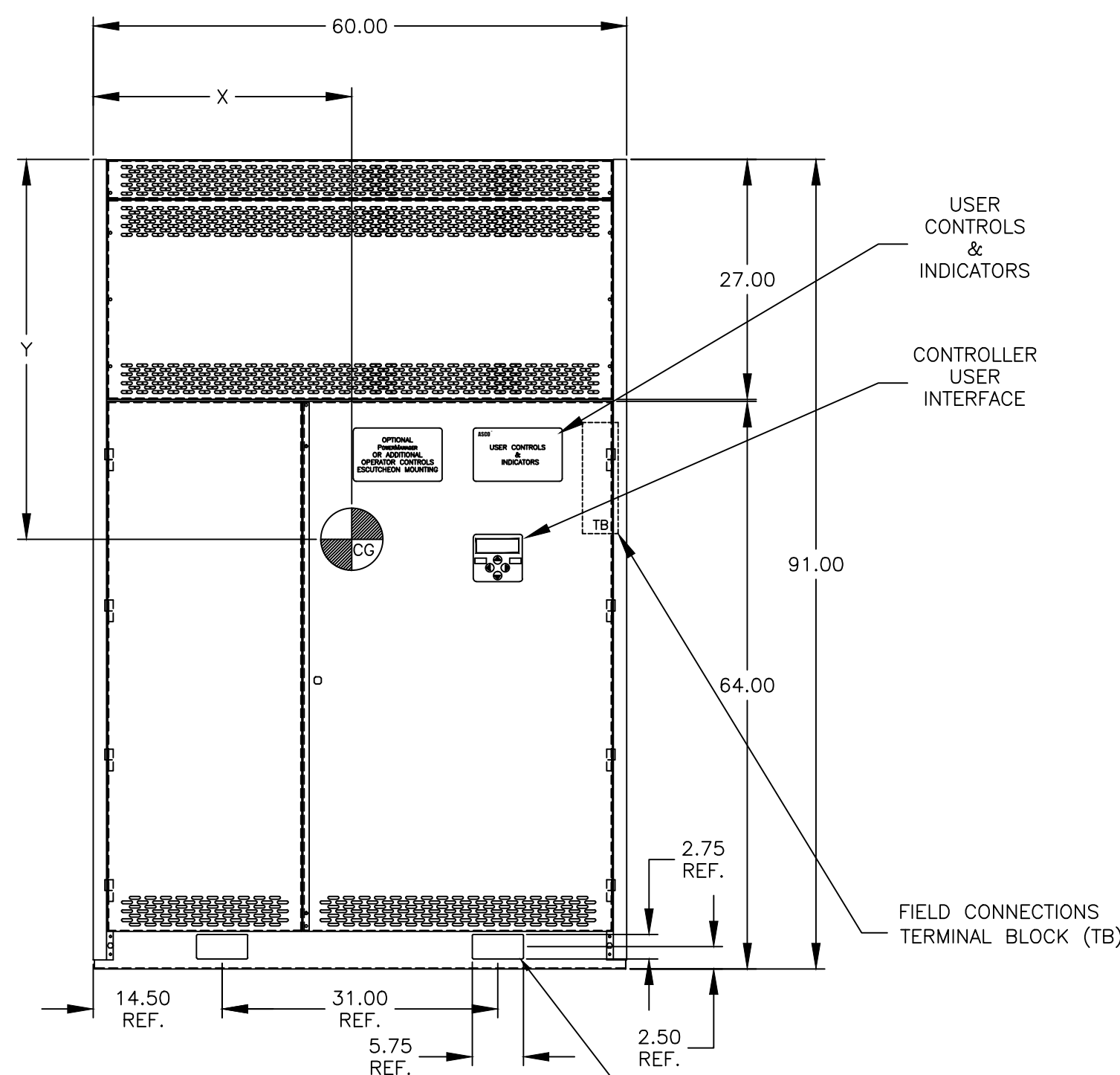
REAR VIEW



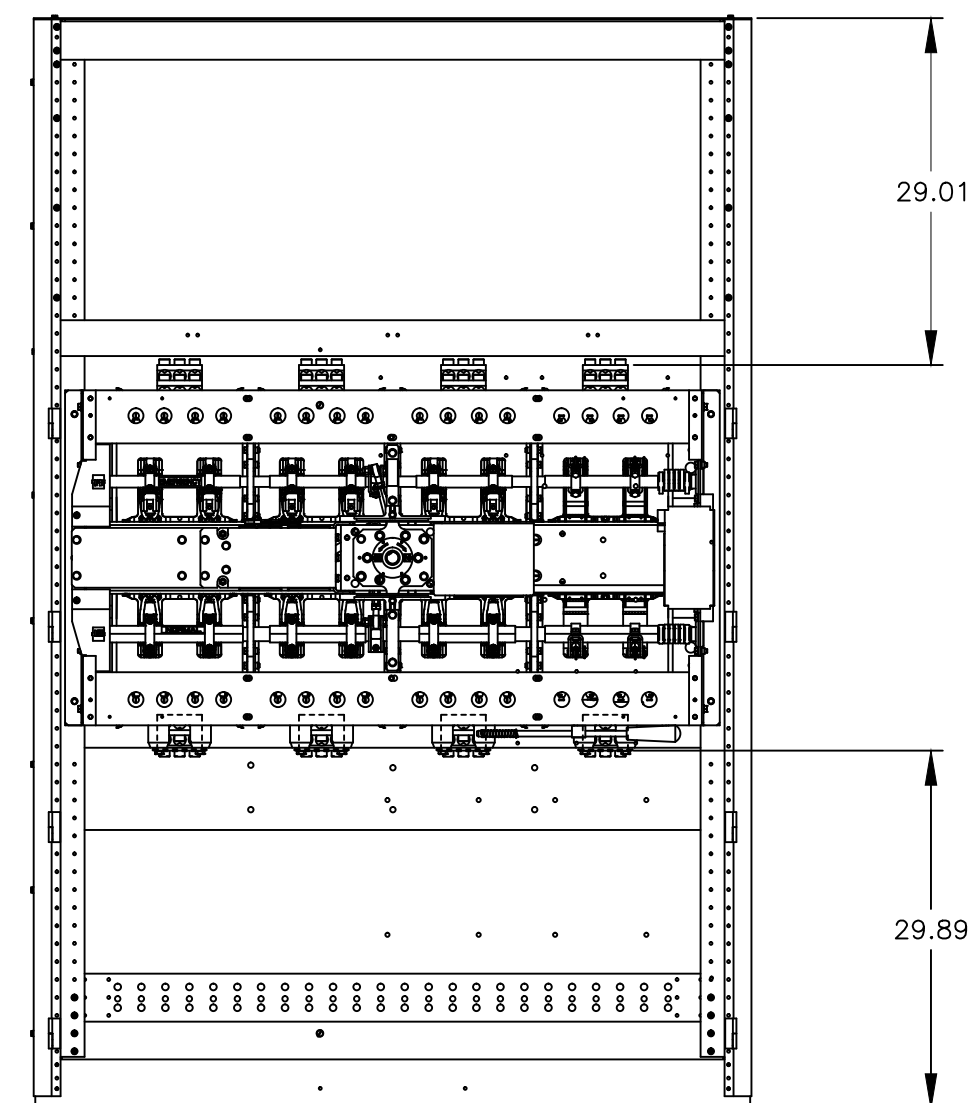
PLAN VIEW



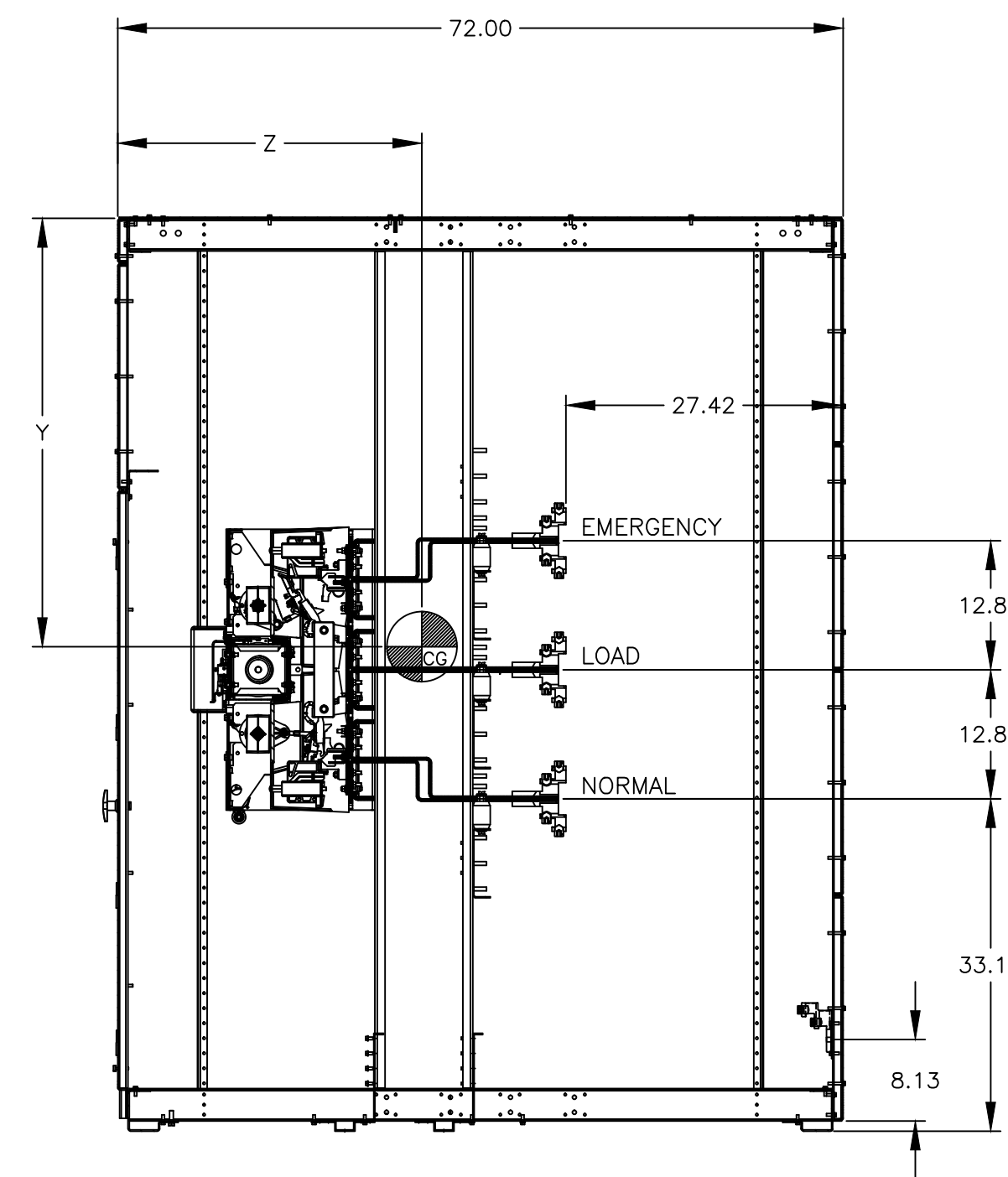
Ø0.63 MTG. HOLES ON BOTTOM CORNERS TYPICAL FOR (16) PLACES



FRONT VIEW



FRONT VIEW WITHOUT COVERS



RIGHT SIDE VIEW WITHOUT COVERS

242285	WK	BK	05/10/13
239430	TR	BK	10/24/12

PROJECT NAME:		REV. TO SHEET		ECN NO.	BY	APP.	DATE
OUTLINE		242285					
7000 SERIES,ATS,ACTS,ADTS		239430					
2600-4000 AMP. TYPE 1		ISSUE					
BY	DATE	MANUFACTURING TOLERANCES TO BE IN ACCORDANCE WITH ASCO PROCEDURE MP-1-003. FOR PLASTIC PARTS SEE MP-1-005	ASSEM. REF. NO.	COMPUTER GENERATED DRAWING			
DRAWN BY	DJB	10/24/12		SCALE	NONE	SIZE	DS
CHECKED	BK	10/24/12		PROPERTY OF ASCO POWER TECHNOLOGIES. USE PERMITTED FOR OUR WORK ONLY. ALL RIGHTS OF DESIGN OR INVENTION ARE RESERVED.			
PROJECT APPROVAL	BK	10/24/12		DWG. NO.	962196		
FINAL APPROVAL				DRAWING A	ECN NO.	242285	SHEET 1 OF 1

ASCO® ASCO POWER TECHNOLOGIES, L.P. FLOHAM PARK, NEW JERSEY 07932 U.S.A.