

OUTLINE FOR ASCO 4000 & 7000 SERIES 150-400 AMPERE "J" FRAME (ATS,ACTS,ADTS) FRONT CONNECTED TRANSFER SWITCHES TYPE 1 ENCLOSURE

GENERAL NOTES

- TYPE 1 ENCLOSURE. FREE STANDING. FLOOR MOUNTED OR WALL MOUNTED. 14 GAUGE CONSTRUCTION.
- NEC STANDARD GAUGE PAN TYPE DOOR WITH LOCKABLE HANDLE.
- FINISH: ANSI 61 GRAY, POLYESTER POWDER STANDARD. OTHER ANSI COLORS AVAILABLE CONSULT FACTORY UL RECOGNIZED.
- RECOMMENDED CLEARANCES:  
FRONT: 24 INCHES
- A 20% RATED GROUND BUS IS PROVIDED.
- UNIT IS DESIGNED FOR COMBINATION TOP AND BOTTOM CABLE ENTRY. THE STANDARD SWITCH CONFIGURATION IS FOR TOP LUGS EMERGENCY AND LOAD AND BOTTOM LUGS NORMAL. OPTIONALLY, THE SWITCH MAY BE SUPPLIED WITH REVERSE NORMAL & EMERGENCY LUGS. (REFER TO THE WIRING DIAGRAM FURNISHED WITH EACH TRANSFER SWITCH TO DETERMINE TERMINATION POSITIONS).
- A FULL RATED NEUTRAL CONNECTION FOR EACH SOURCE AND THE LOAD IS OPTIONAL. WHEN PROVIDED IT IS IN ONE OF THE FOLLOWING FORMATS AS SPECIFIED BY THE CATALOG NO. NEUTRAL TYPE:  
A. SOLID (COPPER BUS) NEUTRAL  
B. SWITCHED NEUTRAL POLE  
C. OVERLAPPING NEUTRAL POLE (NOT AVAILABLE ON 7ACTS/ADTS UNITS)
- ⊙ CENTER OF GRAVITY.
- CONSTRUCTION IS IN ACCORDANCE WITH APPLICABLE REQUIREMENTS OF UL 1008.

CABLING NOTES

- ALL SIZES SUPPLIED STANDARD WITH MECHANICAL (SCREW TYPE) LUGS. (SEE AMP SIZE BELOW)  
A. LUG MATERIAL: ALUMINUM ALLOY 6061-T6 WITH ELECTRO TIN PLATED FINISH.  
B. SCREW MATERIAL: ALUMINUM ALLOY 6262-T9 WITH ELECTRO TIN PLATED FINISH.  
C. UL LISTED, CSA CERTIFIED.  
D. LUG SCREW TIGHTENING TORQUE PER UL 486B: 19 FT-LBS.  
E. SUITABLE WIRE BENDING SPACE IS PROVIDED. (SEE AMP SIZE BELOW)
- OPTIONAL COPPER CRIMP LUGS MAY BE SUPPLIED. (SEE AMP SIZE BELOW)  
A. LUG MATERIAL: HIGH CONDUCTIVITY WROUGHT COPPER FINISH, ELECTRO TIN PLATED.  
B. UL LISTED, CSA CERTIFIED.  
C. LUG CABLE TIGHTENING TORQUE: (REFER TO WITHSTAND CURRENT RATING LABEL PROVIDED ON EACH TRANSFER SWITCH).  
D. SUITABLE WIRE BENDING SPACE IS PROVIDED. (SEE AMP SIZE BELOW)
- CONSULT FACTORY FOR OTHER TERMINATION REQUIREMENTS.
- GROUND LUGS ARE PROVIDED STANDARD AS FOLLOWS. (SEE AMP SIZE BELOW)  
5. CUSTOMER TERMINAL BLOCKS:  
FOR ALL 7000 SERIES AND 4000 SERIES ACTS, ADTS, NCTS, & NDTS UNITS THE TB WILL BE MOUNTED ON THE UPPER RIGHT INSIDE OF ENCLOSURE.  
FOR 4000 SERIES ATS AND NTS UNITS TB WILL BE MOUNTED ON THE TRANSFER SWITCH FRAME AS INDICATED.

NOTES 150-400 AMP SWITCHES

- SUPPLIED WITH STANDARD MECHANICAL (SCREW TYPE) LUGS ON THE NORMAL, EMERGENCY & LOAD BUS STABS. ONE (1) LUG PER PHASE AND NEUTRAL EACH SUITABLE FOR CONNECTION OF TWO (2) 1/0 -250MCM CU/AL CABLES OR ONE (1) #4 -600MCM CU/AL CABLE.  
A. SUITABLE WIRE BENDING SPACE IS PROVIDED FOR UP TO ONE (1) 600MCM CABLE PER TERMINAL PER NEC.
- OPTIONAL COPPER CRIMP LUGS MAY BE SUPPLIED. UP TO ONE (1) TWO HOLE, LONG BARREL CU CRIMP LUGS RATED FOR UP TO 500MCM. (REFER TO CRIMP LUG INSTALLATION DATA PROVIDED WITH UNIT FOR FULL INSTALLATION DETAILS). NOTE: USE OF CRIMP LUGS ON THE 400 AMP UNITS DE-RATES THE SWITCH TO 380 AMPS.  
A. SUITABLE WIRE BENDING SPACE IS PROVIDED FOR UP TO ONE (1) 500MCM CABLE PER TERMINAL PER NEC.
- GROUND LUGS ARE PROVIDED STANDARD AS FOLLOWS:  
SIX (6) 1/0 -250MCM CU/AL CABLES OR THREE (3) #4 -600MCM CU/AL CABLE CONNECTIONS.

ATS SWITCH RATING (AMPS)	POLES	WEIGHTS LB (KG)
260-400	2	180 (82)
260-400	C2	187 (85)
260-400	3	186 (84)
260-400	C3	193 (88)
260-400	4	192 (87)

CTS/DTS SWITCH RATING (AMPS)	POLES	WEIGHTS LB (KG)
150-400	2	196 (89)
150-400	C2	N/A
150-400	C3	N/A
150-400	4	208 (94)

SERIES	CATALOG PREFIX
4000	4ATS
	4NTS
	4ACTS
	4NCTS
7000	4ADTS
	4NDTS
	7ATS
	7NTS
7000	7ACTS
	7NCTS
	7ADTS
7000	7NDTS

G	219786	TR	WK	9/4/08
F	216887	WK	WK	02/14/08
E	215188	AE	WK	9-20-07
D	210654	MJB	BK	10/31/06
C	209625	WK	BK	08/03/06
B	208944	BWM	BWM	6/5/06
A	206008	BWM	BWM	9/23/05
-	205148	BWM	JPB	7/05
-	ISSUED			

PROJECT NAME: **COMPOSITE OUTLINE**

**7000 SERIES TS "J" 150-400 AMP TYPE 1**

BY: **BWM** DATE: **7/05**

CHECKED: **JPB** DATE: **7/05**

FINAL APPROVAL: **JPB** DATE: **7/05**

MANUFACTURING TOLERANCES TO BE IN ACCORDANCE WITH ASCO PROCEDURE MP-1-003. FOR PLASTIC PARTS SEE MP-1-005

ASSEMB. REF. NO.

PROPERTY OF ASCO POWER TECHNOLOGIES. USE PERMITTED FOR OUR WORK ONLY. ALL RIGHTS OF DESIGN OR INVENTION ARE RESERVED.

COMPUTER GENERATED DRAWING

SCALE: 1/11 SIZE: DS

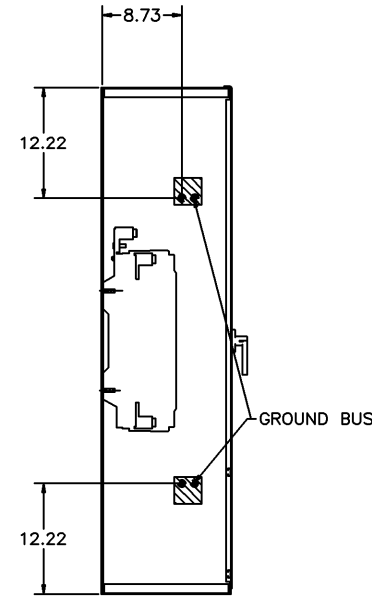
DWG. NO: **780145**

REV. G

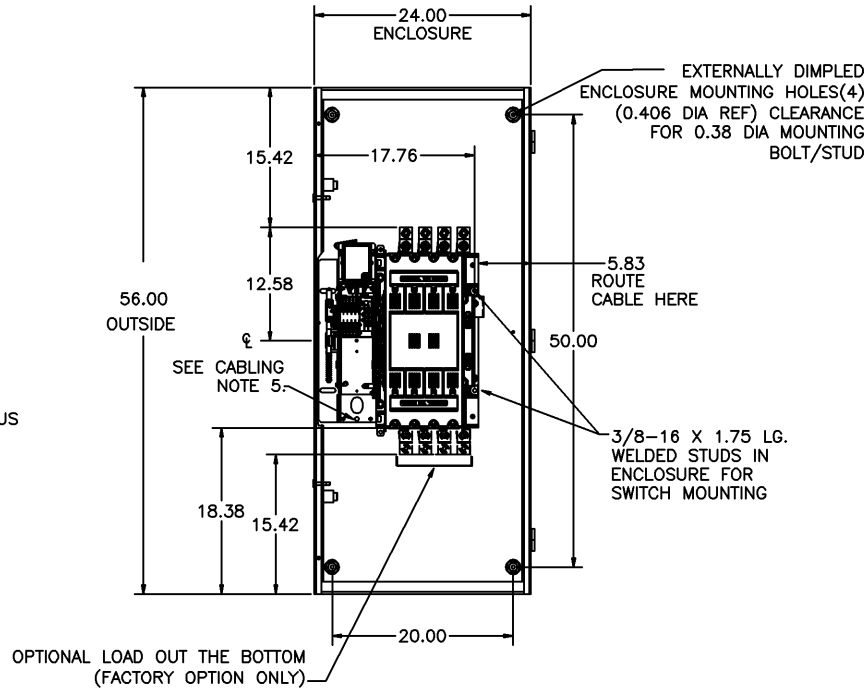
ISS. 219786

REV. 1 OF 1

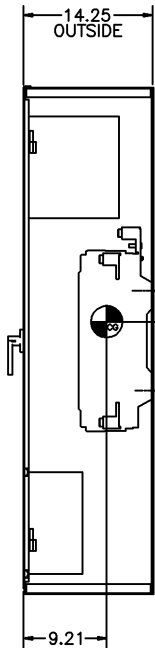
LEFT SIDE WITH DOOR



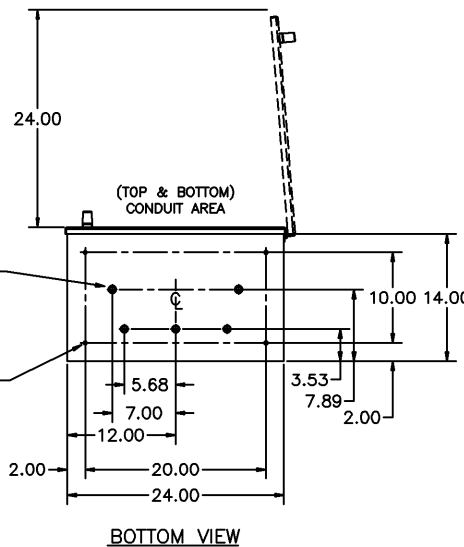
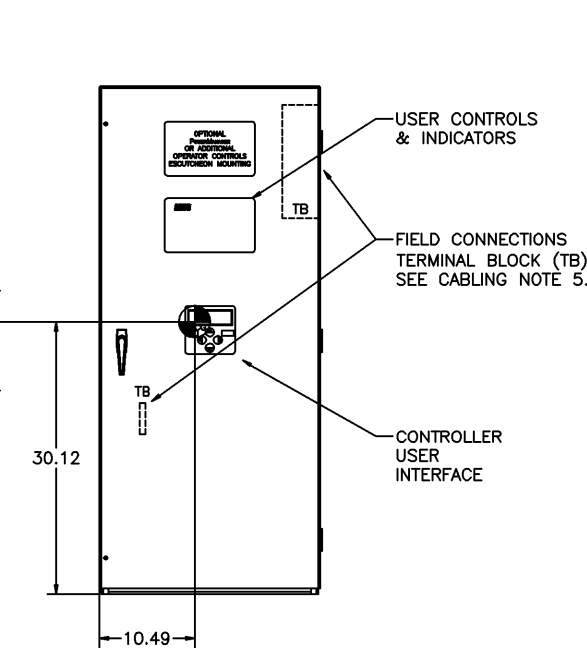
FRONT VIEW WITHOUT DOOR



RIGHT SIDE WITH DOOR



FRONT VIEW WITH DOOR



BOTTOM VIEW