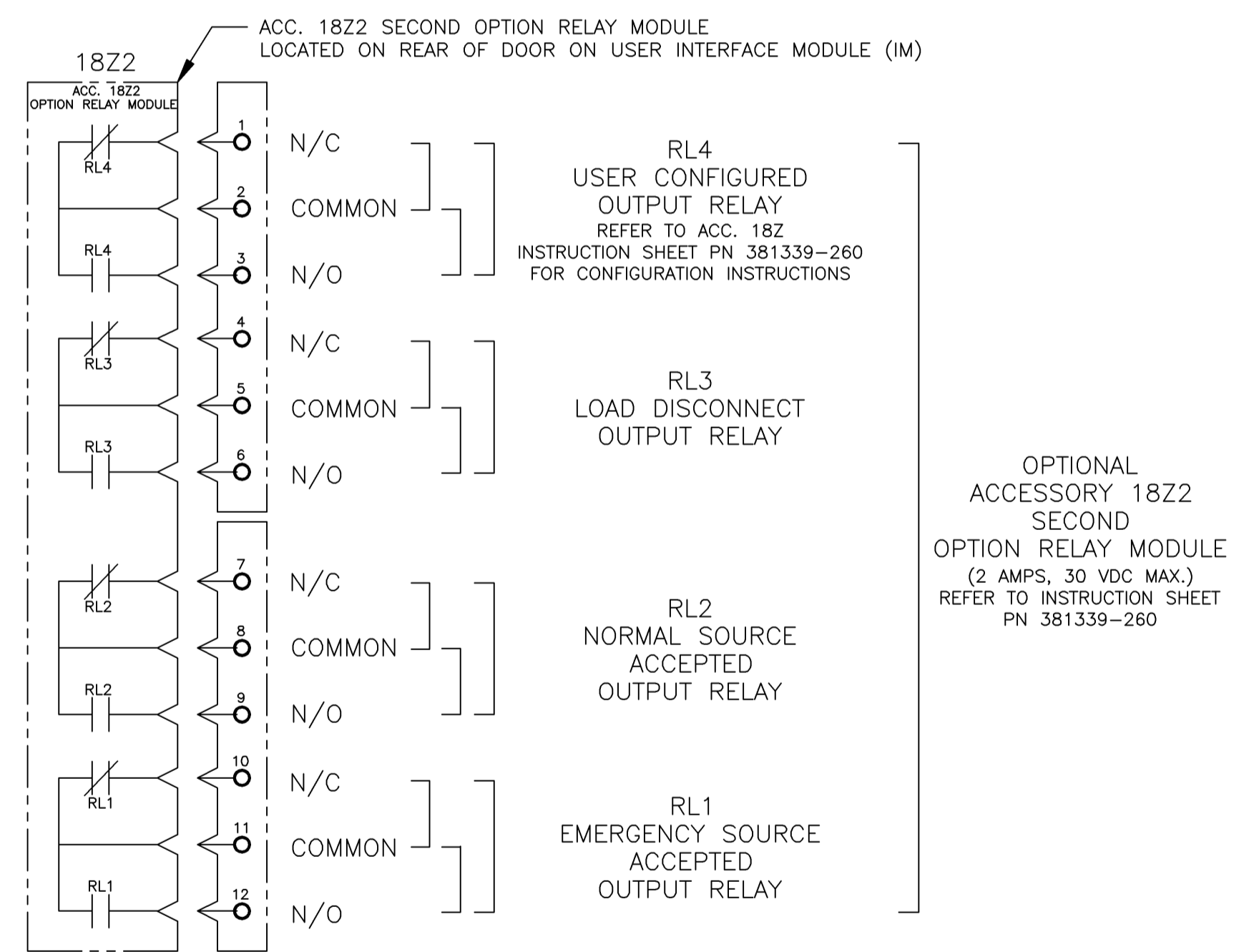
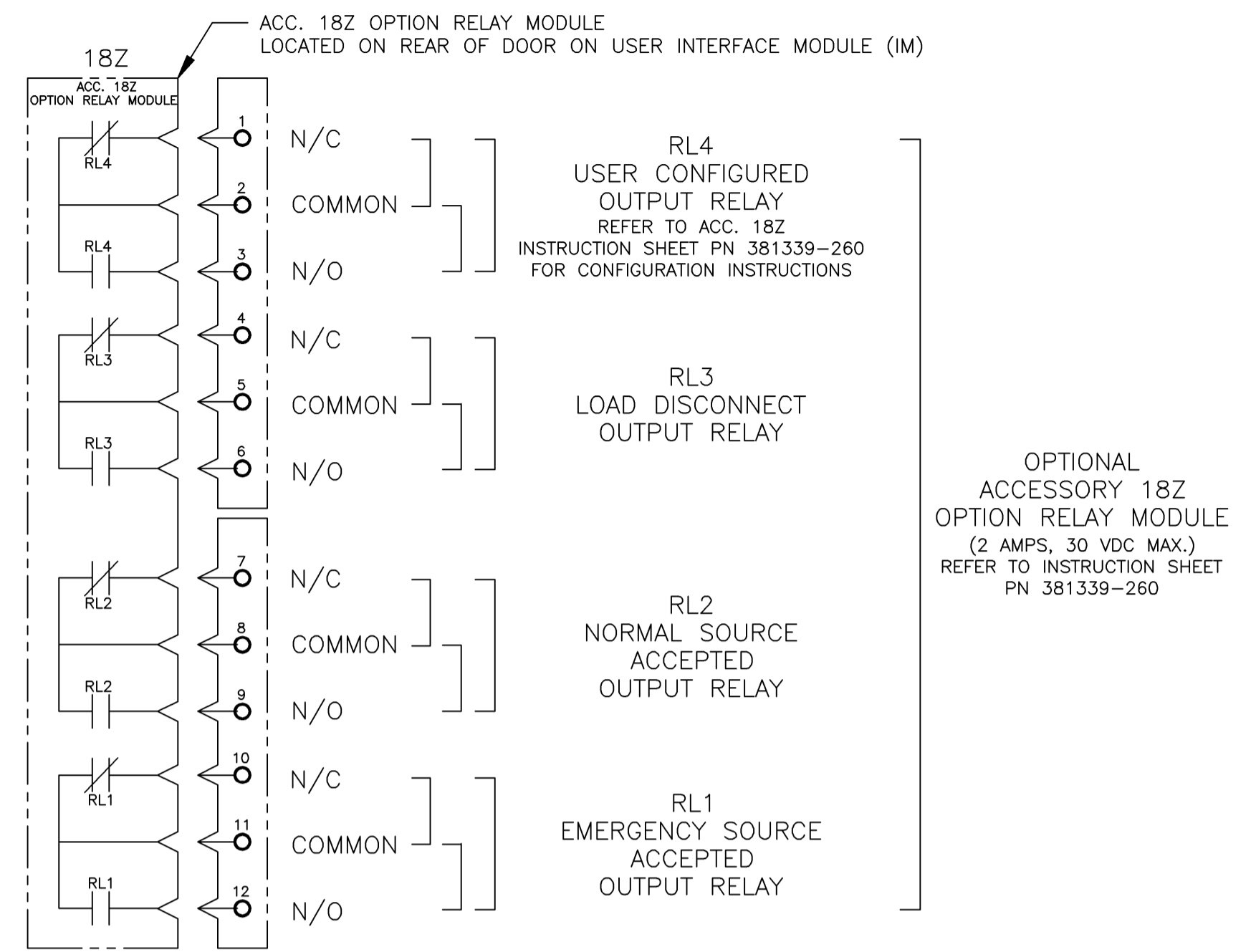
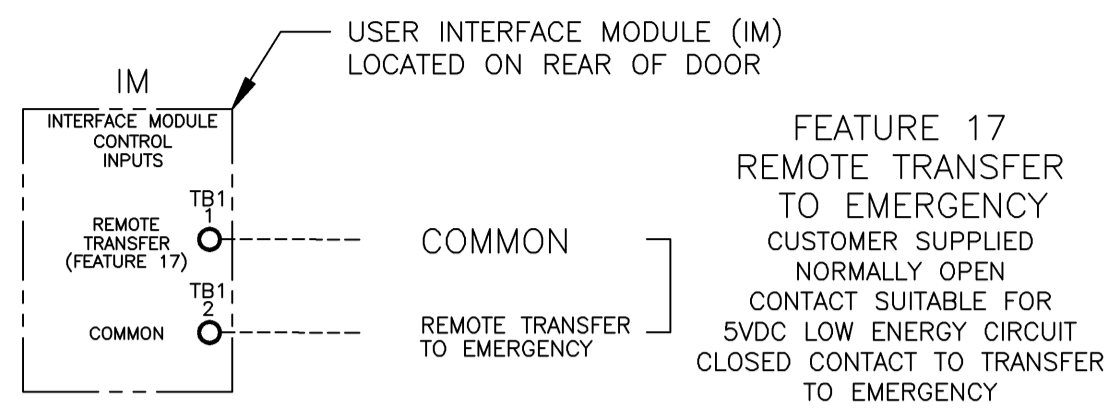
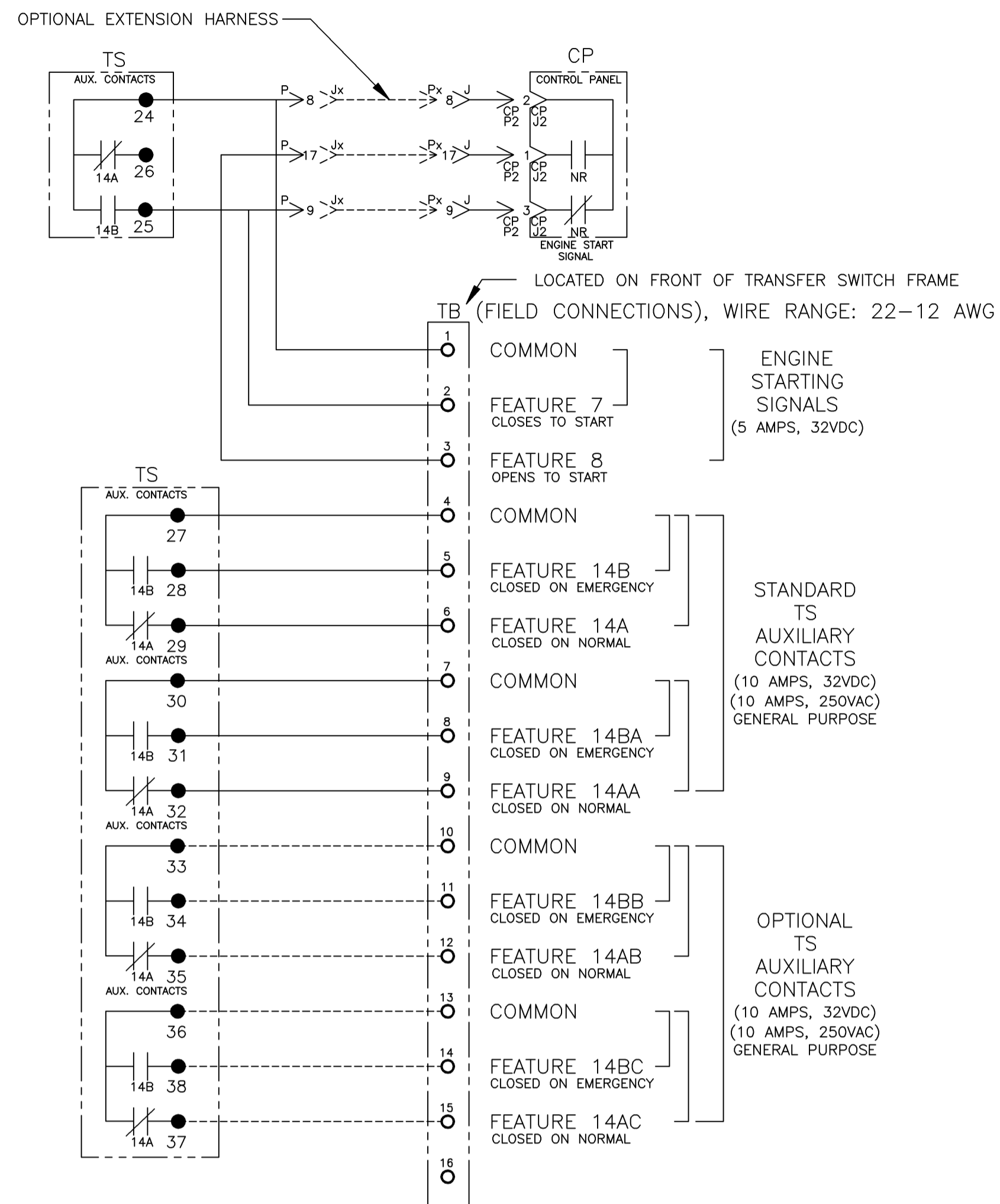


FIELD CONNECTIONS



C	214285	BWM	BWM	08/01/07
B	205832	JPB	JPB	9/8/05
A	205582	JPB	JPB	8/18/05
-	205285	JPB	JPB	7/26/05
-	ISSUE			

PROJECT NAME:		REV. TO SHEET	ECN NO.	BY	APP.	DATE
WIRING DIAGRAM						
4000 SERIES (J4A/NTS)3PH 260-600 AMPS						
"J" FRAME, GROUP 5 CONTROLS						
DRAWN BY	DATE	MANUFACTURING TOLERANCES TO BE IN ACCORDANCE WITH ASCO PROCEDURE MP-1-003. FOR PLASTIC PARTS SEE MP-1-055		ASSEM. REF. NO.		COMPUTER GENERATED DRAWING
CHECKED	DATE	PROPERTY OF ASCO POWER TECHNOLOGIES. USE PERMITTED FOR OUR WORK ONLY. ALL RIGHTS OF DESIGN OR INVENTION ARE RESERVED.		SCALE	1:1	SIZE DS
PROJECT APPROVAL				781123		
FINAL APPROVAL				DRAWING C	ECN NO. 214285	SHEET 2 OF 6

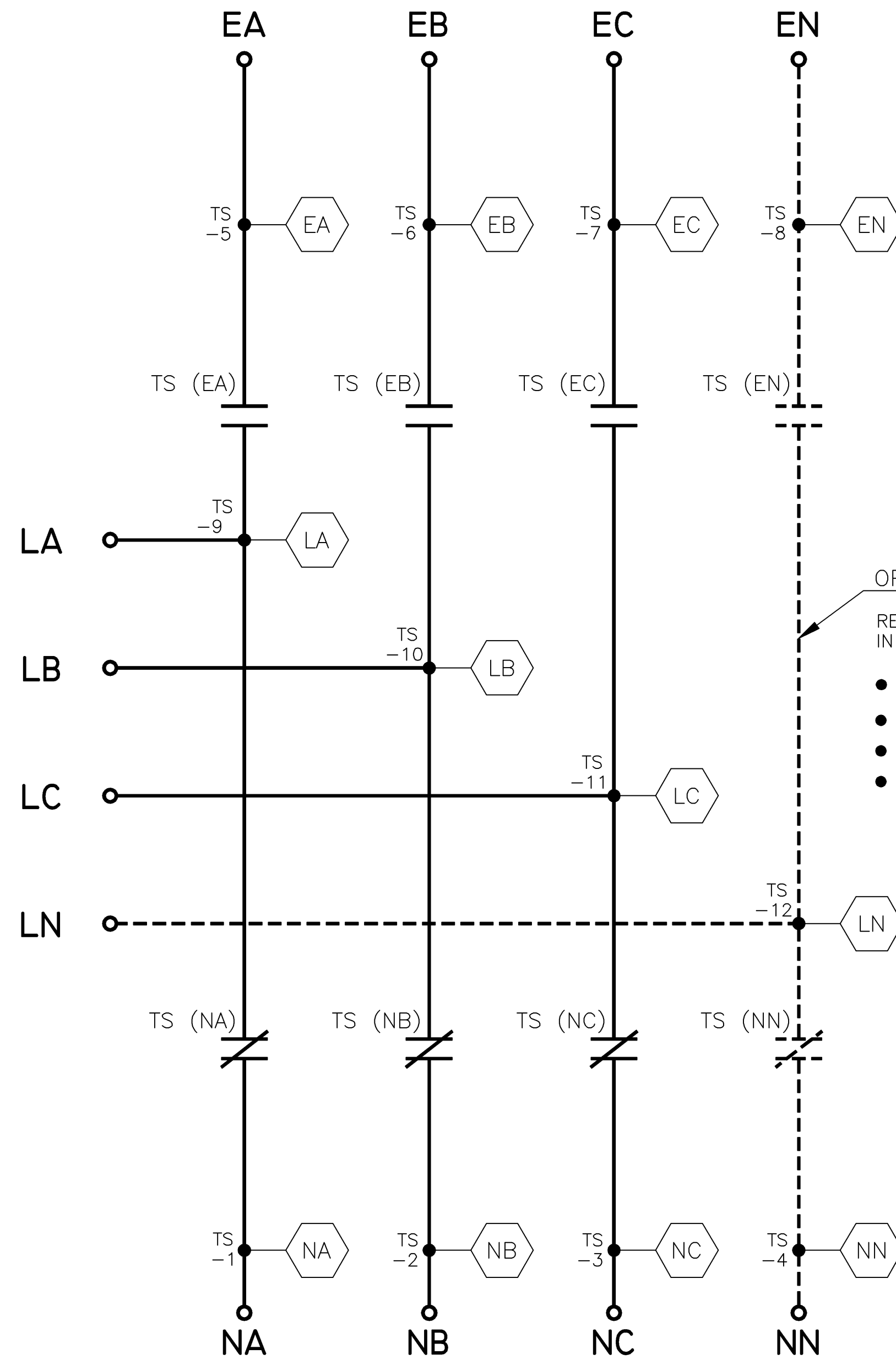


MAIN POWER POLES

TS OPERATOR CIRCUIT

EMERGENCY

NORMAL

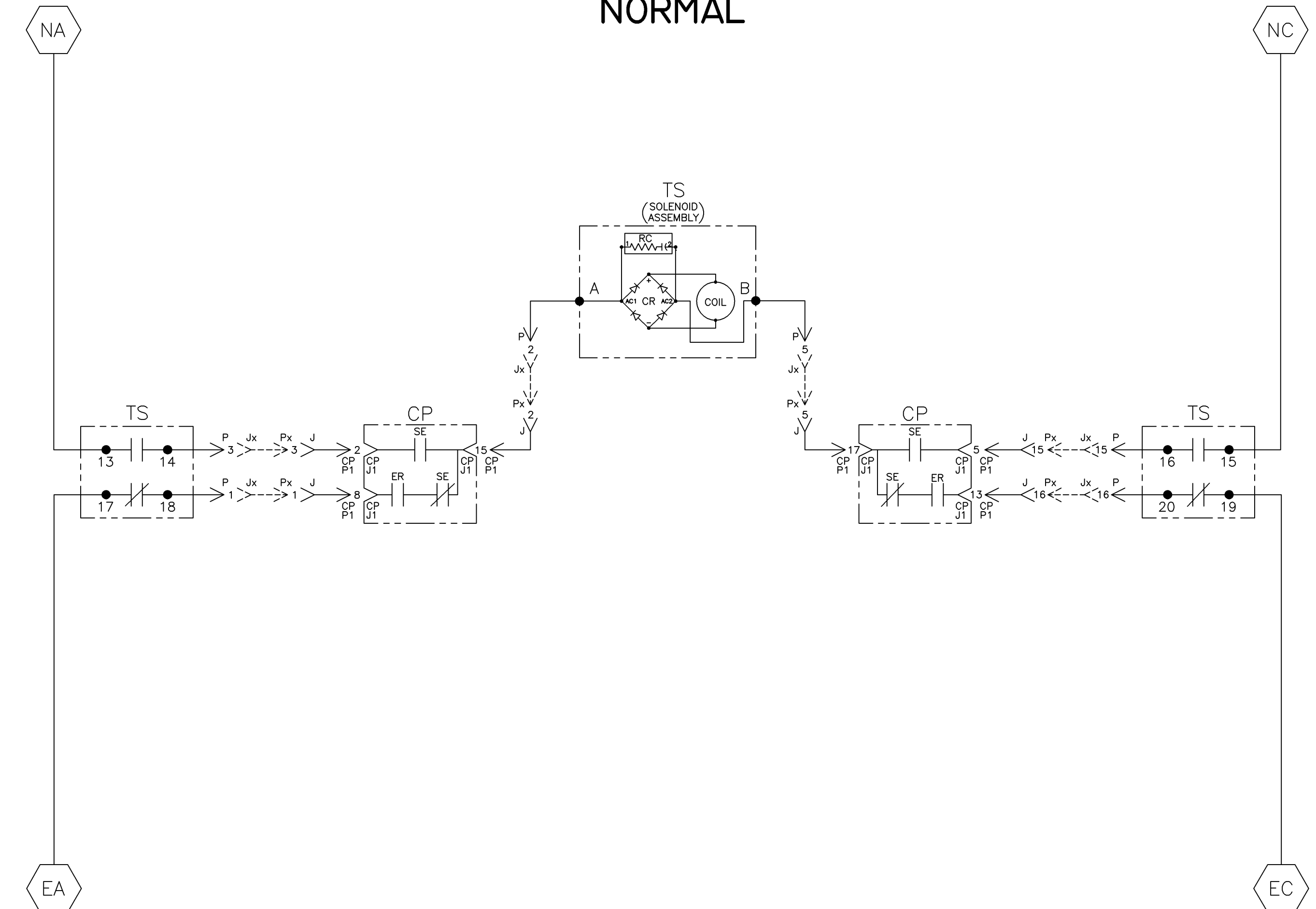


OPTIONAL NEUTRAL TYPES
 REFER TO "EXPLANATION OF CATALOG NUMBER CODES"
 IN CATALOG NUMBER CHART ON SHEET 1.

- NONE
- SWITCHING CONTACTS
- OVERLAPPING CONTACTS
- SOLID BUS PLATE

NORMAL

NOTE:
 ATS SHOWN CLOSED ON NORMAL SOURCE.



EMERGENCY

TS	SOLENOID POSITION			
	CLOSED	BEFORE	BEFORE	CLOSED
	NORMAL	TDC	<TDC	EMERG
13-14				
15-16				
17-18				
19-20				

TDC (TOP DEAD CENTER)
 TRANSFER SWITCH TEST & ADJUSTMENT PROCEDURE
 SPECIFIES CONTROL CUT-OFF (CONTACT OPENING)
 SETTING.

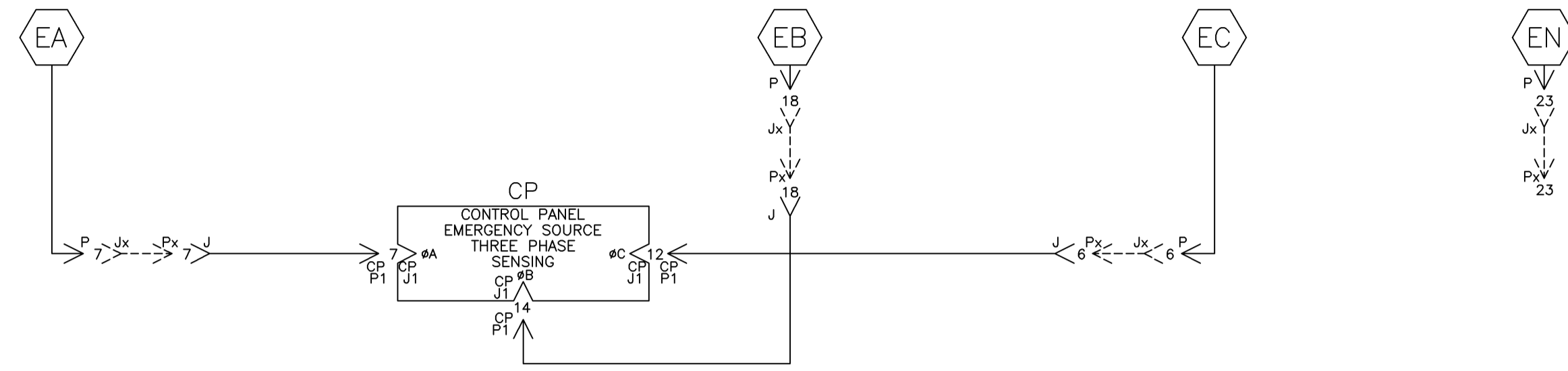
C	214285	BWM	BWM	08/01/07
B	205832	JPB	JPB	9/8/05
A	205582	JPB	JPB	8/18/05
-	205285	JPB	JPB	7/26/05
-				ISSUE

PROJECT NAME:		REV. TO SHEET	ECN NO.	BY	APP.	DATE
WIRING DIAGRAM						
4000 SERIES (J4A/NTS)3PH 260-600 AMPS		MANUFACTURING TOLERANCES TO BE IN ACCORDANCE WITH ASCO PROCEDURE MP-I-003. FOR PLASTIC PARTS SEE MP-I-055		ASSEM. REF. NO.		COMPUTER GENERATED DRAWING
"J" FRAME, GROUP 5 CONTROLS		PROPERTY OF ASCO POWER TECHNOLOGIES. USE PERMITTED FOR OUR WORK ONLY. ALL RIGHTS OF DESIGN OR INVENTION ARE RESERVED.		SCALE 1:1 SIZE DS		DWG. NO. 781123
DRAWN BY	DATE	ASCOS		DRAWING C		ECN NO. 214285
CHECKED	7/26/05	ASCO		REV.		SHEET 3 OF 6
PROJECT APPROVAL		ASCOS				
FINAL APPROVAL	7/26/05	ASCOS				

EMERGENCY SOURCE CIRCUITS

ADDITIONAL CIRCUITS

EMERGENCY



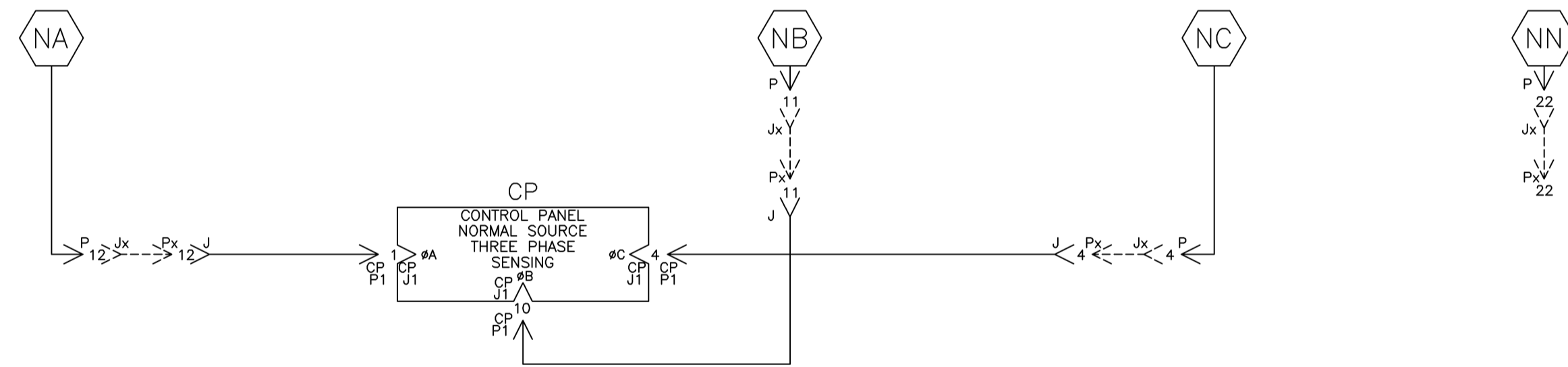
LOAD TERMINAL CIRCUITS

LOAD

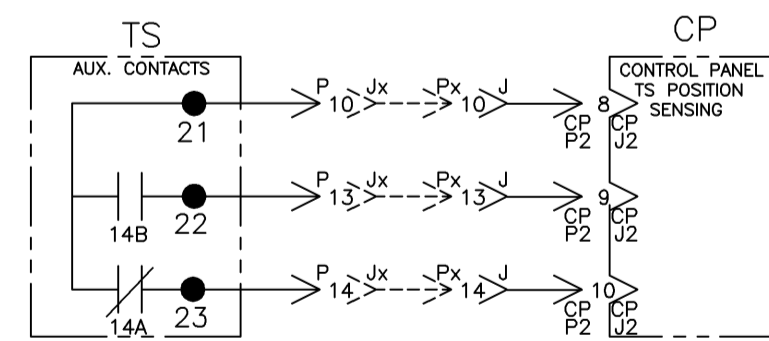


NORMAL SOURCE CIRCUITS

NORMAL



CONTROL CIRCUITS



C	214285	BWM	BWM	08/01/07
SEE ECN				
B	205832	JPB	JPB	9/8/05
SEE ECN				
A	205582	JPB	JPB	8/18/05
SEE ECN				
-	205285	JPB	JPB	7/26/05
ISSUE				

PROJECT NAME:		REV. TO SHEET	ECN NO.	BY	APP.	DATE
WIRING DIAGRAM						
4000 SERIES (J4A/NTS)3PH 260-600 AMPS		MANUFACTURING TOLERANCES TO BE IN ACCORDANCE WITH ASCO PROCEDURE MP-I-003. FOR PLASTIC PARTS SEE MP-I-055		ASSEM. REF. NO.		COMPUTER GENERATED DRAWING
"J" FRAME, GROUP 5 CONTROLS		PROPERTY OF ASCO POWER TECHNOLOGIES. USE PERMITTED FOR OUR WORK ONLY. ALL RIGHTS OF DESIGN OR INVENTION ARE RESERVED.		SCALE: 1:1 SIZE DS		DWG. NO. 781123
DRAWN BY	JPB	DATE	7/26/05	ASCOS		DRAWING C
CHECKED	JPB	DATE	7/26/05	ASCOS		ECN NO. 214285
PROJECT APPROVAL		DATE		ASCOS		SHEET 4 OF 6
FINAL APPROVAL		DATE		ASCOS		

ASCO ASCO POWER TECHNOLOGIES, L.P.
FLORHAM PARK, NEW JERSEY 07932 U.S.A.

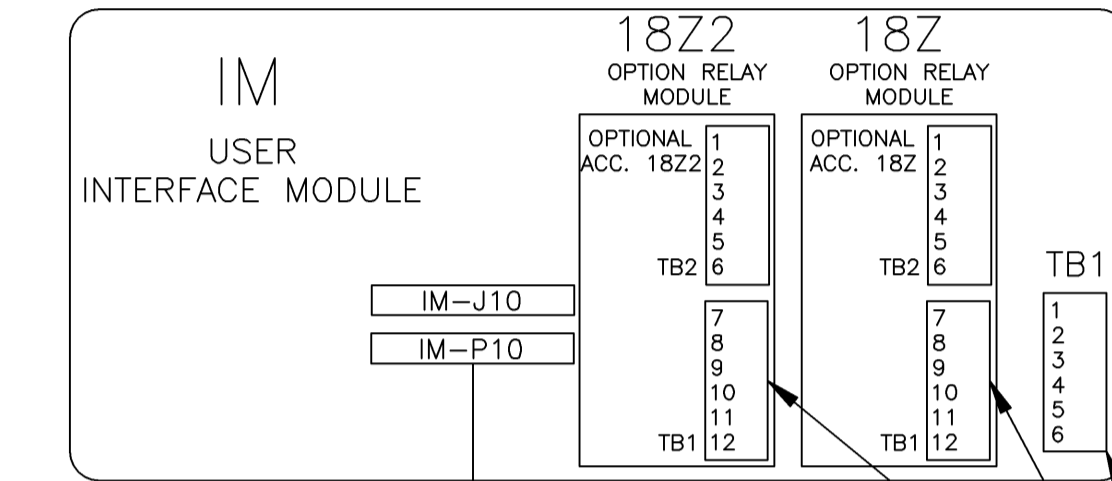
PHYSICAL DIAGRAM

ENCLOSURE

DOOR (INSIDE)

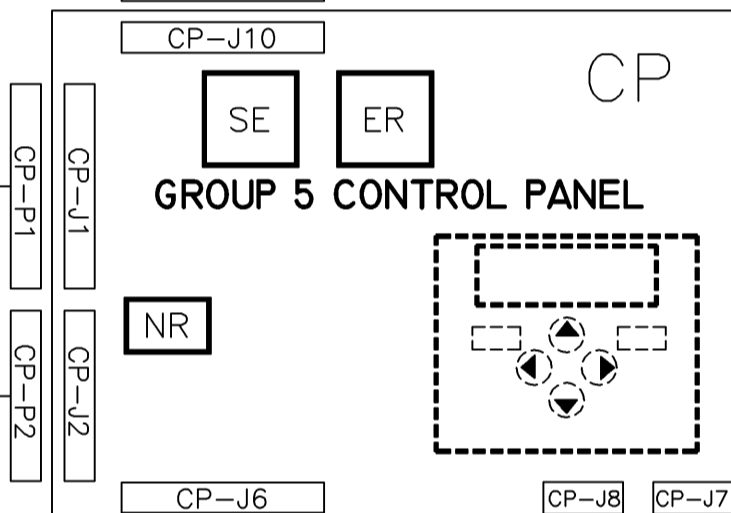
TS (TRANSFER SWITCH)
VIEW FROM INSIDE FRONT

OPTIONAL
POWERMANAGER
OR ADDITIONAL
OPERATOR CONTROLS
ESCUTCHEON MOUNTING

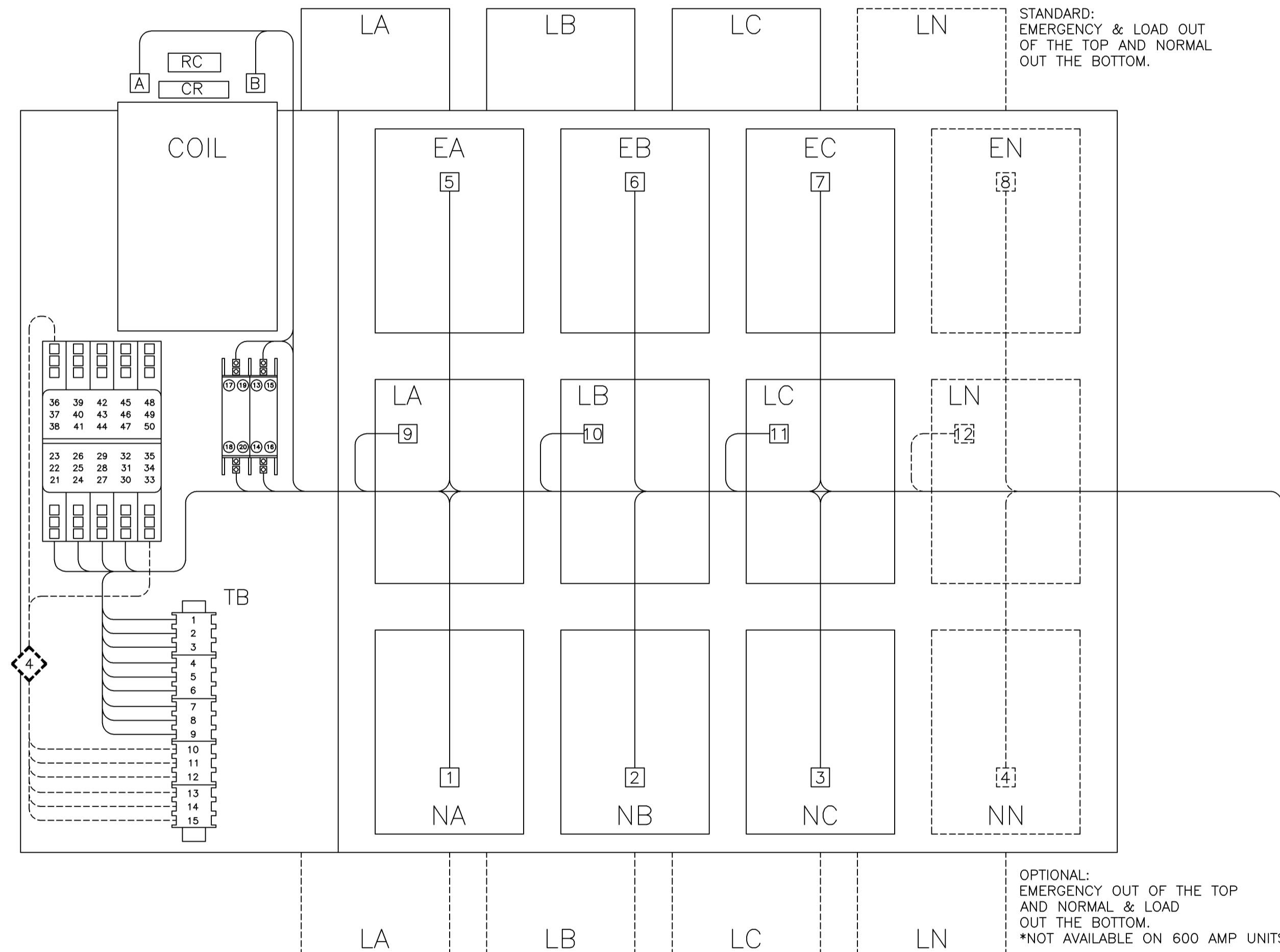


IM/CP HARNESS
BASE PN 766102
(REFER TO BILL OF MATERIAL)

USER INTERFACE
MODULE FIELD
TERMINATIONS
ACC. 18Z & 18Z2
FIELD
TERMINATIONS



AP
OPTIONAL
ACCESSORY ADD-ON PANEL
MOUNTING



DOOR HINGE

BONDING STRAP
PN 098323-019

C	214285	BWM	BWM	08/01/07
B	205832	JPB	JPB	9/8/05
A	205582	JPB	JPB	8/18/05
-	205285	JPB	JPB	7/26/05
-				ISSUE

PROJECT NAME:		WIRING DIAGRAM	
4000 SERIES (J4A/NTS)3PH 260-600 AMPS "J" FRAME, GROUP 5 CONTROLS			
BY	DATE	MANUFACTURING TOLERANCES TO BE IN ACCORDANCE WITH ASCO PROCEDURE MP-I-003. FOR PLASTIC PARTS SEE MP-I-055	ASSEM. REF. NO.
DRAWN BY	7/26/05		
CHECKED	7/26/05	PROPERTY OF ASCO POWER TECHNOLOGIES. USE PERMITTED FOR OUR WORK ONLY. ALL RIGHTS OF DESIGN OR INVENTION ARE RESERVED.	SCALE 1:1 SIZE DS
PROJECT APPROVAL			COMPUTER GENERATED DRAWING
FINAL APPROVAL	7/26/05		DWG. NO. 781123
		ASCO POWER TECHNOLOGIES, L.P. FLORHAM PARK, NEW JERSEY 07932 U.S.A.	DRAWING C ECN NO. 214285 SHEET 5 OF 6

WIRE RUN LISTING

<input checked="" type="checkbox"/> HARNESS LOCATOR <small>BOX CHECKED IF HARNESS IS MODIFIED</small>			
WIRE No.	HARNESS 781247 (P) MAIN TS	CLR	AWG
1	P-1,TS-18		18
2	P-2,TS-A		
3	P-3,TS-14		
4	P-4,TS-3		
4	TS-3,TS-15		
5	P-5,TS-B		
6	P-6,TS-7		
6	TS-7,TS-19		
7	P-7,TS-5		
7	TS-5,TS-17		
8	P-8,TS-24		
8	TS-24,TB-1		
9	P-9,TS-25		
9	TS-25,TB-2		
10	P-10,TS-21		
11	P-11,TS-2		
12	P-12,TS-1		
12	TS-1,TS-13		
13	P-13,TS-22		
14	P-14,TS-23		
15	P-15,TS-16		
16	P-16,TS-20		
17	P-17,TB-3		
18	P-18,TS-6		
19	P-19,TS-9		
20	P-20,TS-10		
21	P-21,TS-11		
22	P-22,TS-4		
23	P-23,TS-8		
24	P-24,TS-12		
25	TS-27,TB-4		
26	TS-28,TB-5		
27	TS-29,TB-6		
31	TS-30,TB-7		
32	TS-31,TB-8		
33	TS-32,TB-9		
ADD WIRES			

<input checked="" type="checkbox"/> HARNESS LOCATOR <small>BOX CHECKED IF HARNESS IS MODIFIED</small>			
WIRE No.	HARNESS 483763 (J,CP-P1,CP-P2) CONTROL PANEL	CLR	AWG
1	J-1,CP-P1-8		16
2	J-2,CP-P1-15		
3	J-3,CP-P1-2		
4	J-4,CP-P1-4		
5	J-5,CP-P1-17		
6	J-6,CP-P1-12		
7	J-7,CP-P1-7		
8	J-8,CP-P2-2		
9	J-9,CP-P2-3		
10	J-10,CP-P2-8		
11	J-11,CP-P1-10		
12	J-12,CP-P1-1		
13	J-13,CP-P2-9		
14	J-14,CP-P2-10		
15	J-15,CP-P1-5		
16	J-16,CP-P1-13		
17	J-17,CP-P2-1		
18	J-18,CP-P1-14		
ADD WIRES			
19	J-19		
20	J-20		
21	J-21		
22	J-22		
23	J-23		
24	J-24		

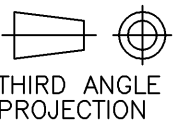
<input checked="" type="checkbox"/> HARNESS LOCATOR <small>BOX CHECKED IF HARNESS IS MODIFIED</small>			
WIRE No.	HARNESS 309320-005 (Px,Jx) OPTIONAL 8" EXTENSION HARNESS	CLR	AWG
1	Px-1,Jx-1		16
2	Px-2,Jx-2		
3	Px-3,Jx-3		
4	Px-4,Jx-4		
5	Px-5,Jx-5		
6	Px-6,Jx-6		
7	Px-7,Jx-7		
8	Px-8,Jx-8		
9	Px-9,Jx-9		
10	Px-10,Jx-10		
11	Px-11,Jx-11		
12	Px-12,Jx-12		
13	Px-13,Jx-13		
14	Px-14,Jx-14		
15	Px-15,Jx-15		
16	Px-16,Jx-16		
17	Px-17,Jx-17		
18	Px-18,Jx-18		
19	Px-19,Jx-19		
20	Px-20,Jx-20		
21	Px-21,Jx-21		
22	Px-22,Jx-22		
23	Px-23,Jx-23		
24	Px-24,Jx-24		
REMOVE WIRES			
ADD WIRES			

<input checked="" type="checkbox"/> HARNESS LOCATOR <small>BOX CHECKED IF HARNESS IS MODIFIED</small>			
WIRE No.	OPTIONAL AUXILIARY CONTACTS (TS,TB) FIELD TERMINATIONS	CLR	AWG
35	TS-33,TB-10		16
36	TS-34,TB-11		
37	TS-35,TB-12		
38	TS-36,TB-13		
40	TS-37,TB-15		
39	TS-38,TB-14		

WIRE No.	ADDITIONAL WIRES	CLR	AWG
16			

C	214285	BWM	BWM	08/01/07
SEE ECN				
B	205832	JPB	JPB	9/8/05
SEE ECN				
A	205582	JPB	JPB	8/18/05
SEE ECN				
-	205285	JPB	JPB	7/26/05
ISSUE				

PROJECT NAME:		REV. TO SHEET	ECN NO.	BY	APP.	DATE
WIRING DIAGRAM						
4000 SERIES (J4A/NTS)3PH 260-600 AMPS						
"J" FRAME, GROUP 5 CONTROLS						
MANUFACTURING TOLERANCES TO BE IN ACCORDANCE WITH ASCO PROCEDURE MP-1-003. FOR PLASTIC PARTS SEE MP-1-055.				ASSEM. REF. NO.		COMPUTER GENERATED DRAWING
PROPERTY OF ASCO POWER TECHNOLOGIES. USE PERMITTED FOR OUR WORK ONLY. ALL RIGHTS OF DESIGN OR INVENTION ARE RESERVED.				SCALE		1:1 SIZE DS
DRAWN BY	JPB	DATE	7/26/05			
CHECKED	JPB	DATE	7/26/05	Dwg. No. 781123		
PROJECT APPROVAL				Sheet No. 6 OF 6		
FINAL APPROVAL	JPB	DATE	7/26/05	Drawing C ECN No. 214285		
ASCO ASCO POWER TECHNOLOGIES, L.P. FLORHAM PARK, NEW JERSEY 07932 U.S.A.						



THIRD ANGLE PROJECTION