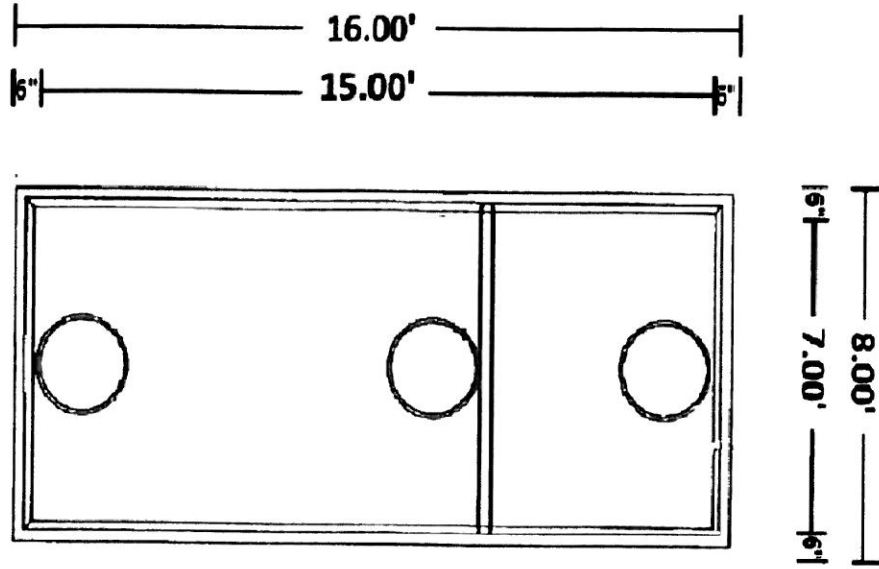
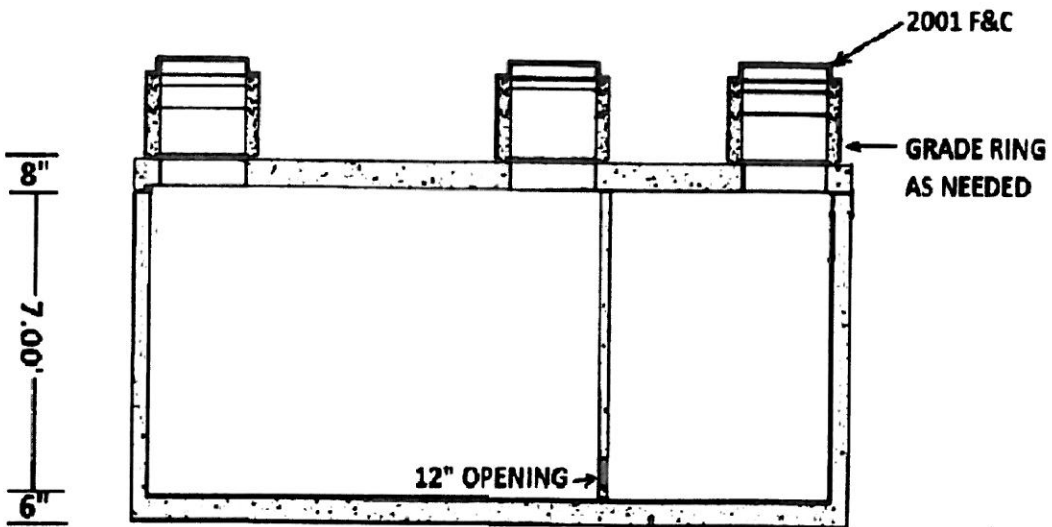


**NOTES:**

1. CONCRETE STRENGTH TO BE AT LEAST 4,000 PSI.
2. REINFORCING SHALL BE IN ACCORDANCE WITH ASTM C478. (#4 REBAR @ 6" O.C.)



**PLAN VIEW**



**SECTION VIEW**



**5,000 GALLON H2O RATED TANK**