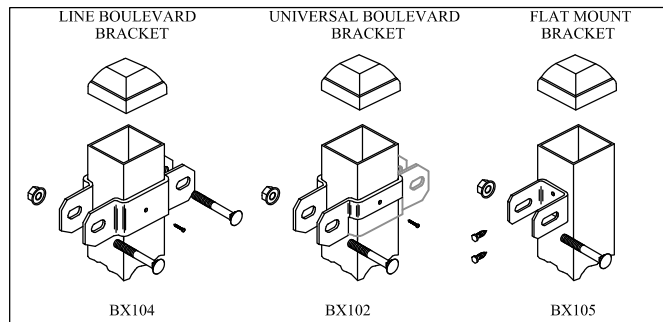
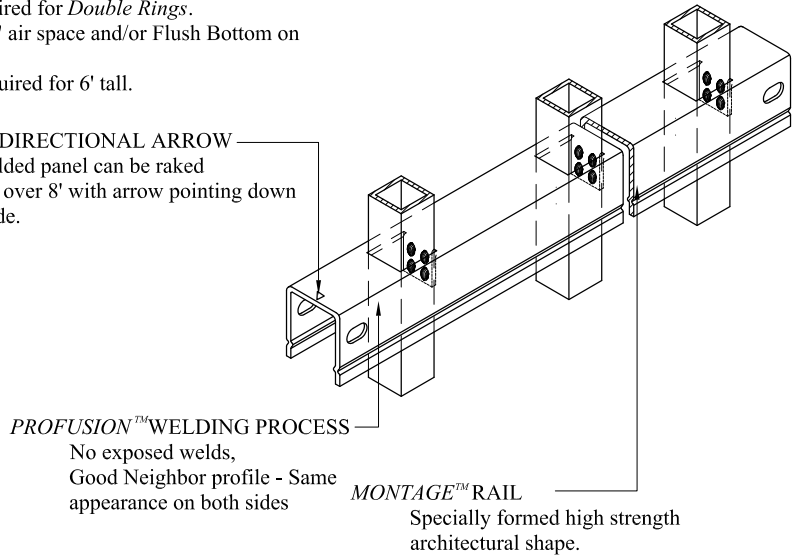
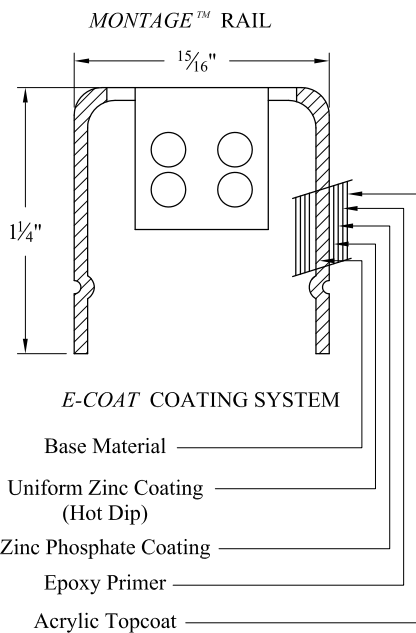


**NOTES:**

- 1.) Post size depends on fence height and wind loads. See MONTAGE™ specifications for post sizing chart.
- 2.) Third rail required for Double Rings.
- 3.) Available in 3" air space and/or Flush Bottom on most heights.
- 4.) Three rails required for 6' tall.

**RAKING DIRECTIONAL ARROW**  
 Welded panel can be raked 45" over 8' with arrow pointing down grade.



**RESIDENTIAL WELDED STEEL PANEL**  
**PRE-ASSEMBLED**

Values shown are nominal and not to be used for installation purposes. See product specification for installation requirements.

RGISO

Title: **MONTAGE GENESIS 2/3-RAIL**

DR: CI SH . 1 of 1 SCALE: DO NOT SCALE

CK: ME Date 7-19-11 REV: c



**AMERISTAR®**

1555 N. Mingo  
 Tulsa, OK 74116  
 1-888-333-3422  
 www.ameristarfence.com