

1	5"x5"x42" Vinyl Post	.135" Thickness
2	1-1/2"x5-1/2"x94" Vinyl Rail	.080" Thickness
3	5"x5" Vinyl Cap	Pyramid <small>(Options Available)</small>
4	2-3/8"x8' Galvanized Steel Post	SS15 or SK40
5/6	5"x2-3/8" Post Collar Adapter	HDPE
7	Ground Level	-----

Description
2 Rail Ranch Profile

Revised:
02/01/2020

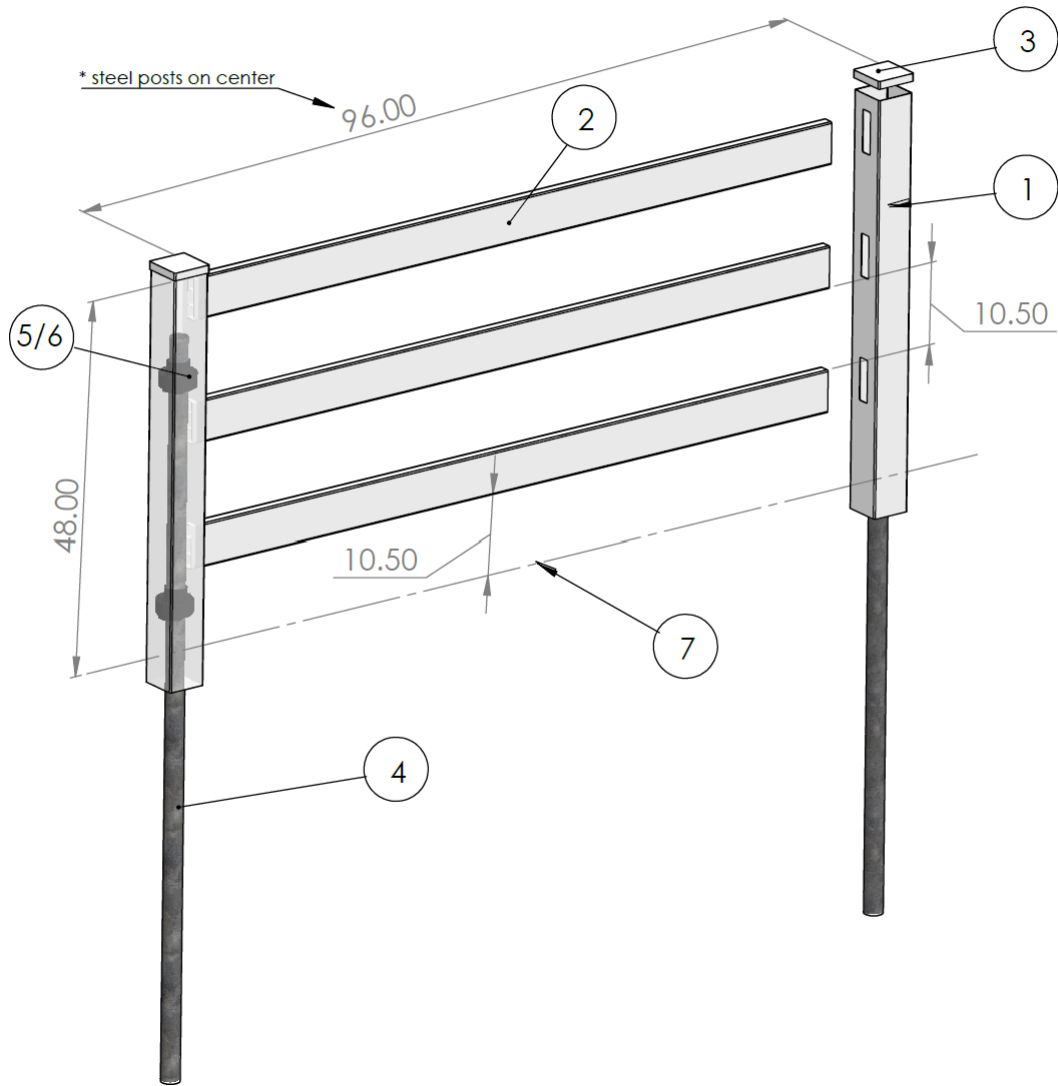
SKU: .

Notes:
All parts shown are property of
C.A.F Inc

Scale:
NTS

CAF
CENTRAL ALBERTA FENCING INC
VINYL • WOOD • ORNAMENTAL • EST. 2009

Central Alberta Fencing inc.
(403) 986-5484 Red Deer
(403) 354-5484 Calgary
info@centralalbertafencing.ca
www.centralalbertafencing.ca



1	5"x5"x54" Vinyl Post	.135" Thickness
2	1-1/2"x5-1/2"x94" Vinyl Rail	.090" Thickness
3	5"x5" Vinyl Cap	Pyramid (Options Available)
4	2-3/8"x8" Galvanized Steel Post	SS15 or SK40
5/6	5"x2-3/8" Post Collar Adapter	HDPE
7	Ground Level	-----

Description
3 Rail Ranch Profile

Revised:
02/01/2020

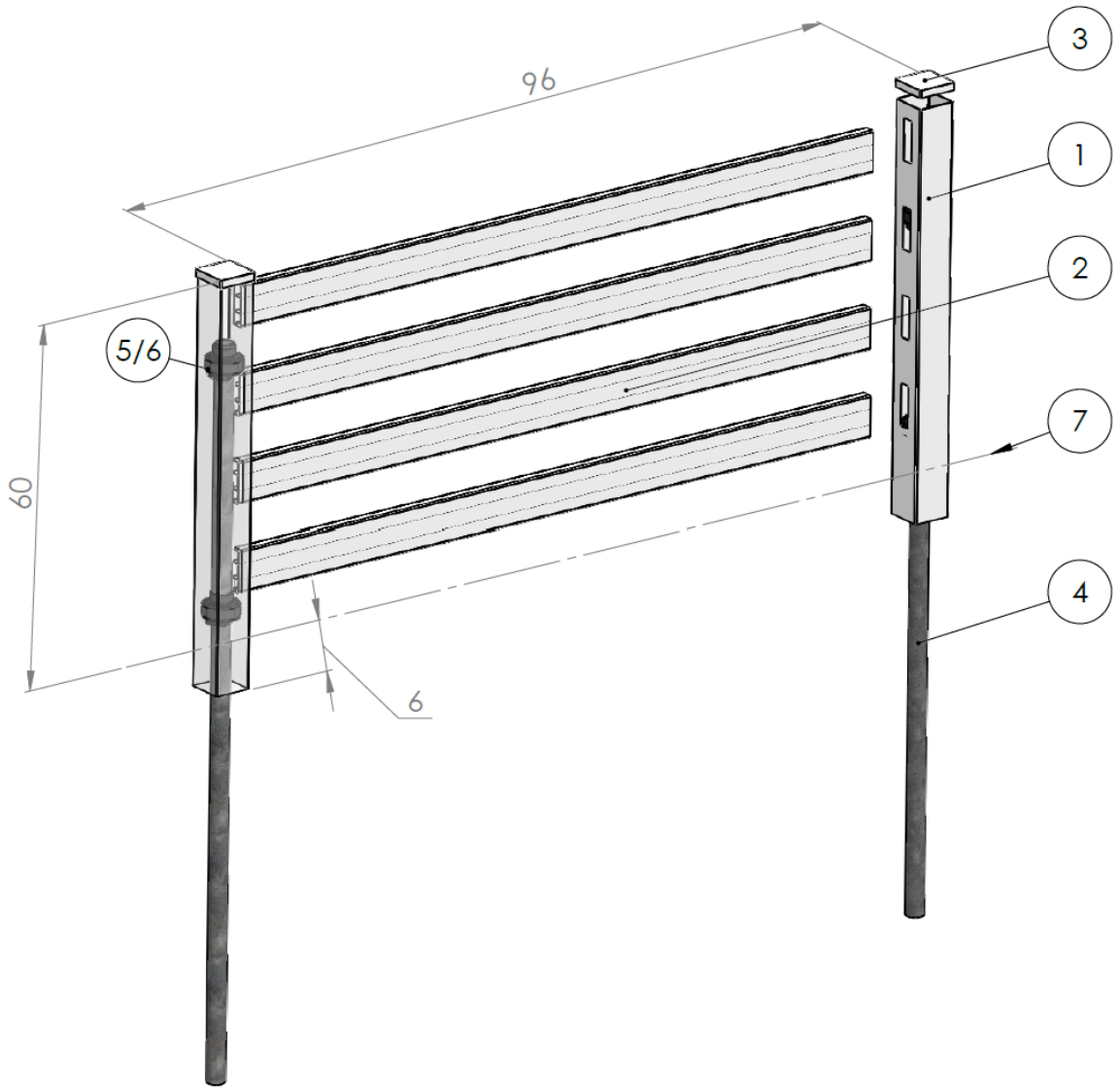
Sk#: .

Notes:
All parts shown are property of
C.A.F Inc

Scale:
NTS

CAF
CENTRAL ALBERTA FENCING INC
VINYL • WOOD • ORNAMENTAL • EST. 2009

Central Alberta Fencing inc.
(403) 986-5484 Red Deer
(403) 354-5484 Calgary
info@centralalbertafencing.ca
www.centralalbertafencing.ca



1	5"x5"x66" Vinyl Post	.135" Thickness
2	1-1/2"x5-1/2"x94" Vinyl Rail	.080" Thickness
3	5"x5" Vinyl Cap	Pyramid <small>(Options Available)</small>
4	2-3/8"x8' Galvanized Steel Post	SS15 or SK40
5/6	5"x2-3/8" Post Collar Adapter	HDPE
7	Ground Level	-----

Description
4 Rail Ranch Profile

Revised:
02/01/2020

SKU: .

Notes:
All parts shown are property of
C.A.F Inc

Scale:
NTS

CAF
CENTRAL ALBERTA FENCING INC
VINYL • WOOD • ORNAMENTAL • EST. 2009

Central Alberta Fencing inc.
(403) 986-5484 Red Deer
(403) 354-5484 Calgary
info@centralalbertafencing.ca
www.centralalbertafencing.ca