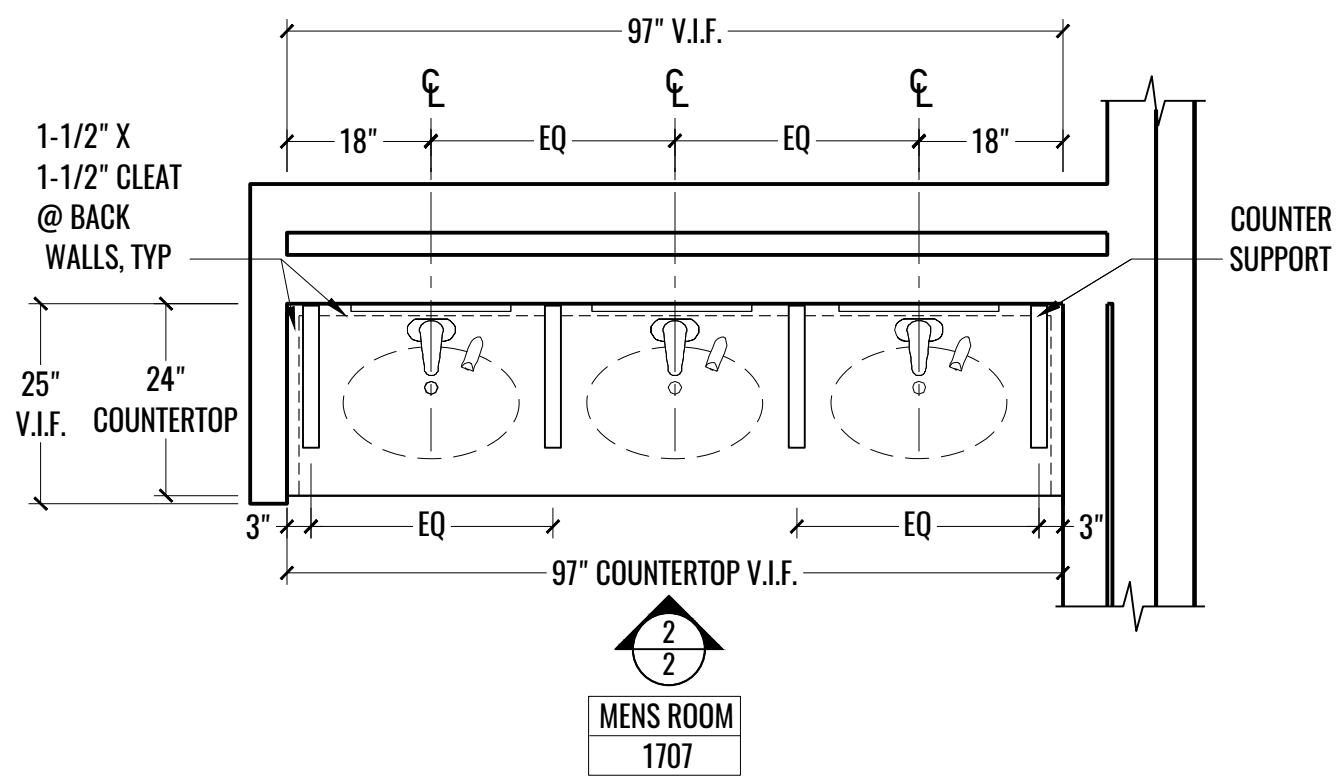
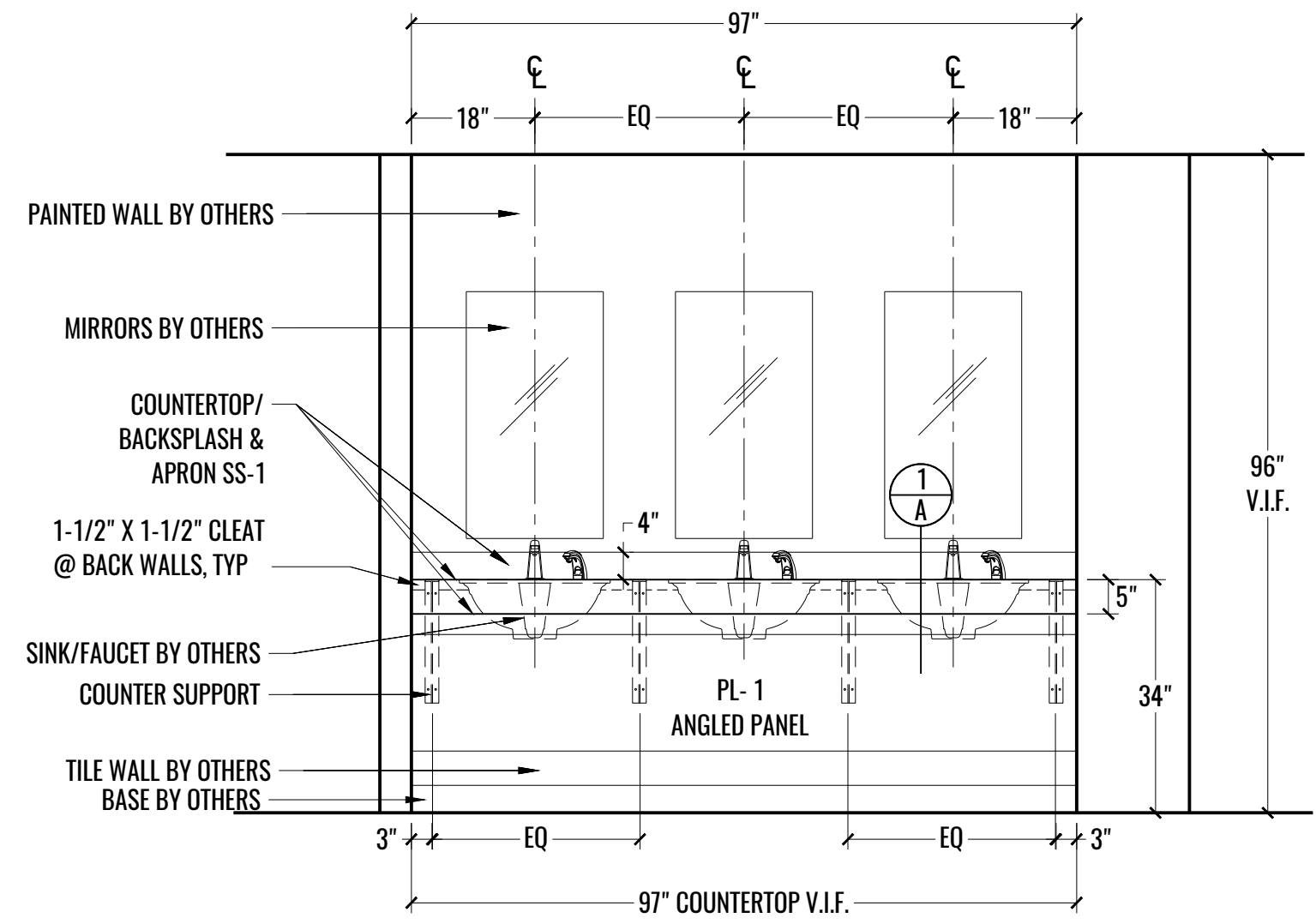


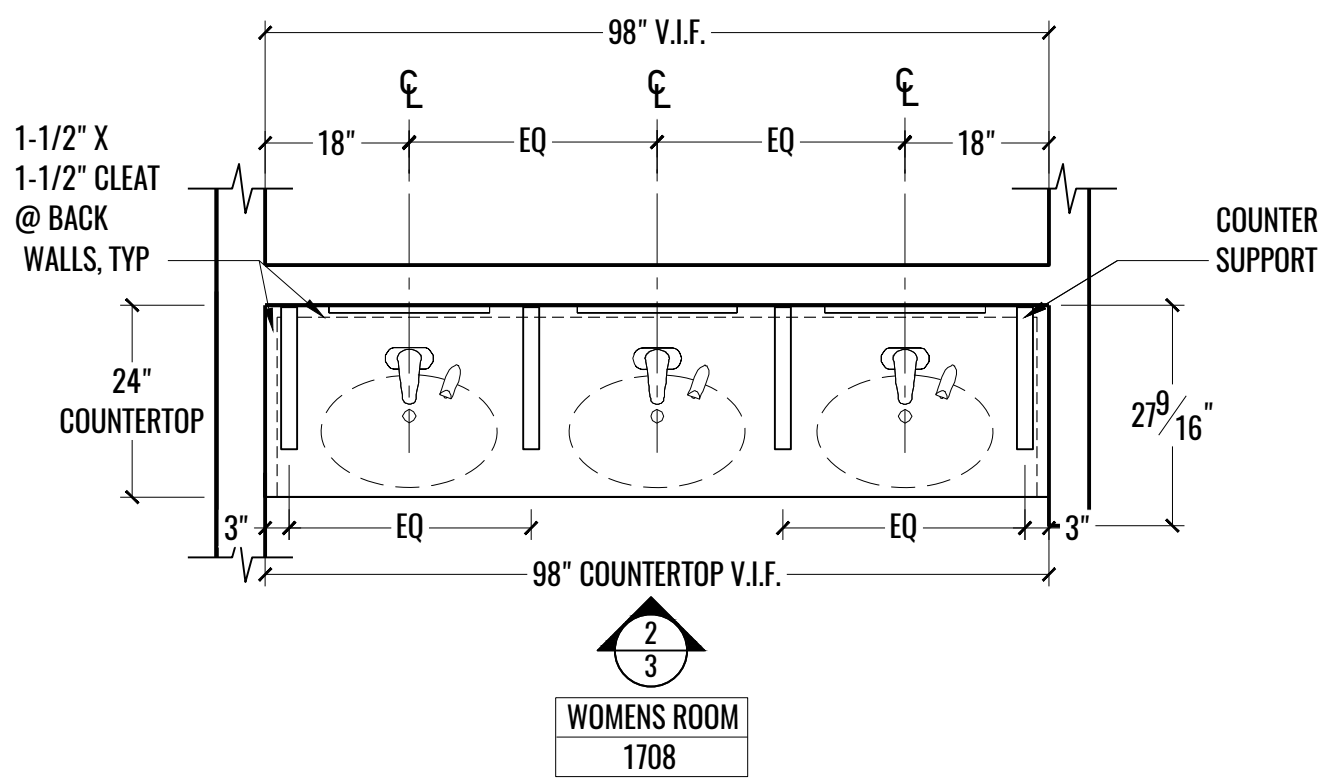
1 PLAN: PROJECT SCOPE - 17TH FLOOR COMMON AREA  
 1 SCALE: NOT TO SCALE



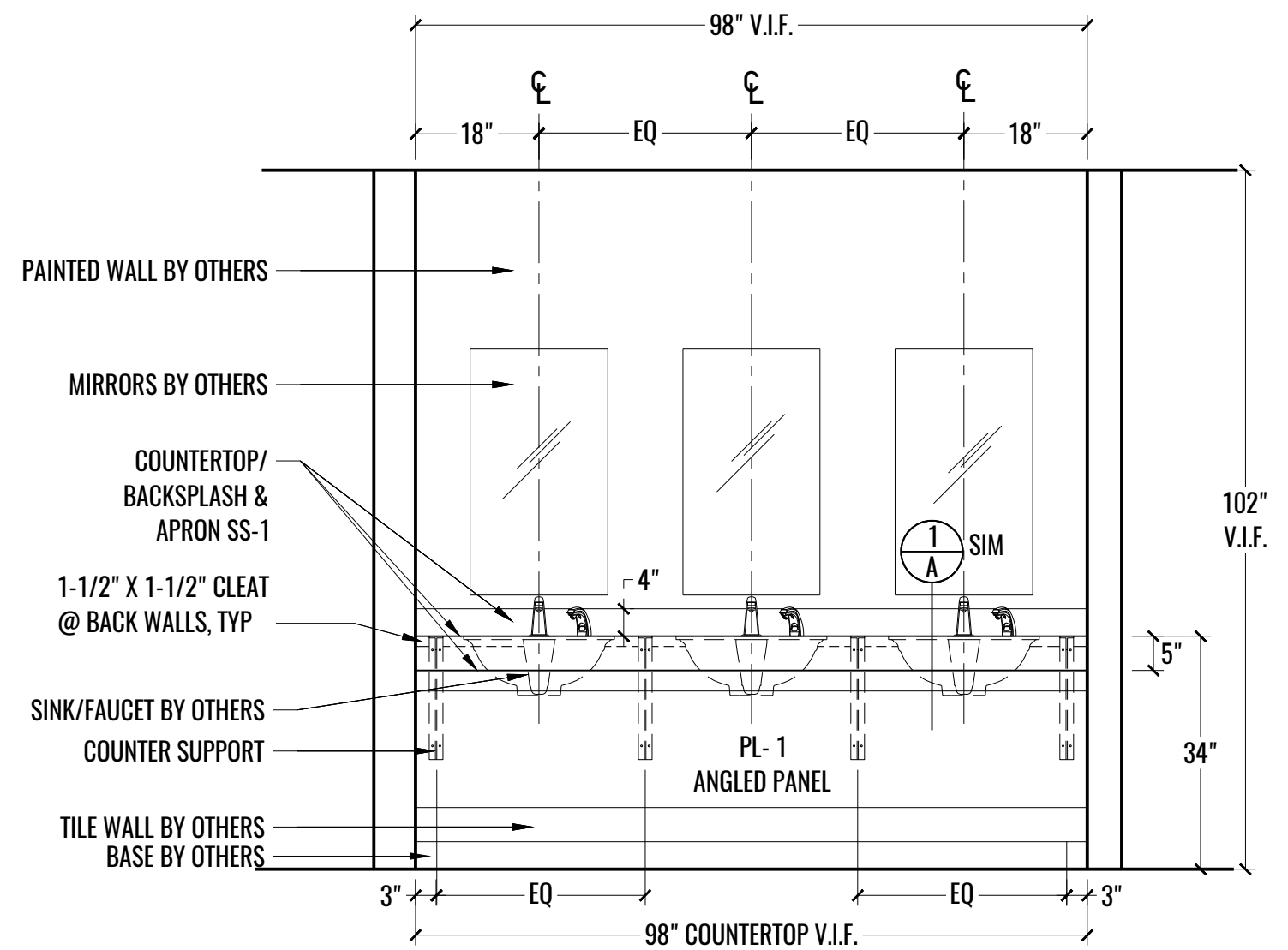
1 PLAN: VANITY @ MENS ROOM - 1707  
2 SCALE: 1/2" = 1'-0"



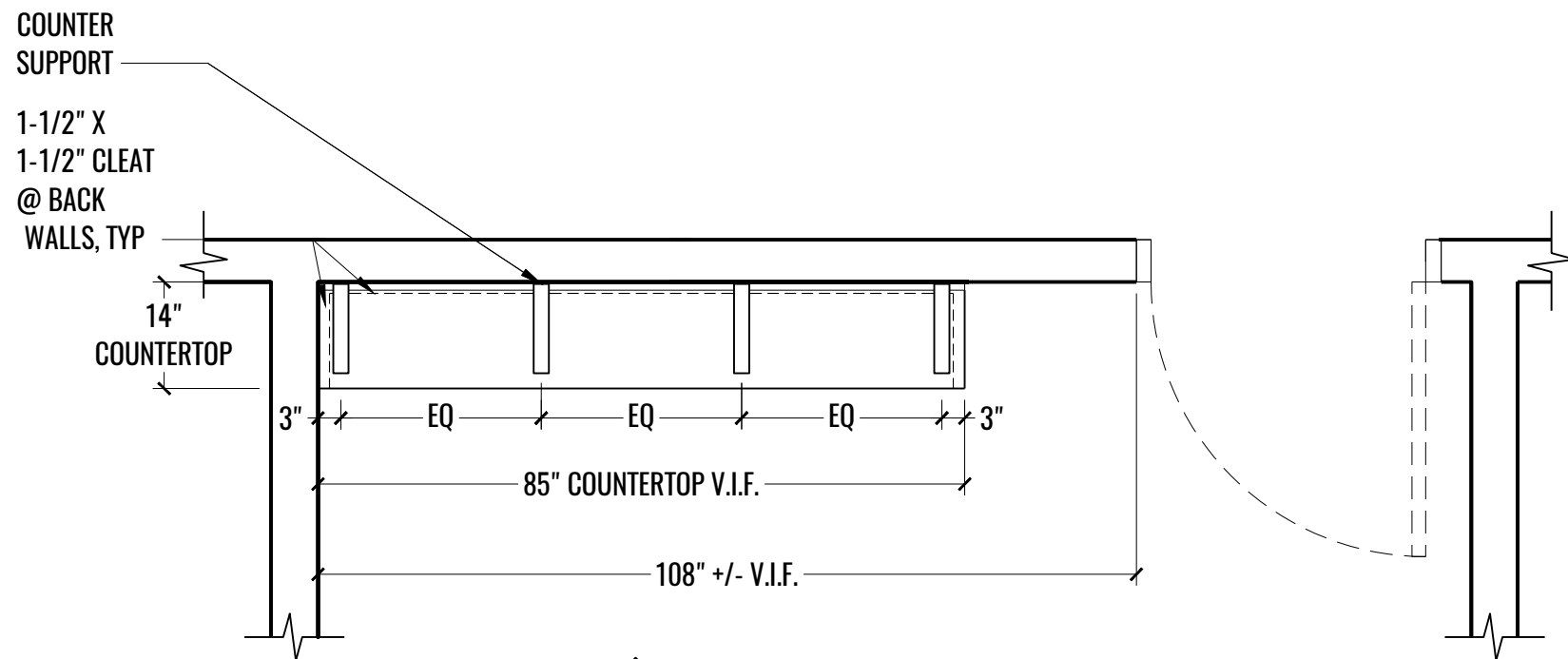
2 ELEVATION: VANITY @ MENS ROOM - 1707  
2 SCALE: 1/2" = 1'-0"



1 PLAN: VANITY @ WOMENS ROOM - 1708  
 3 SCALE: 1/2" = 1'-0"

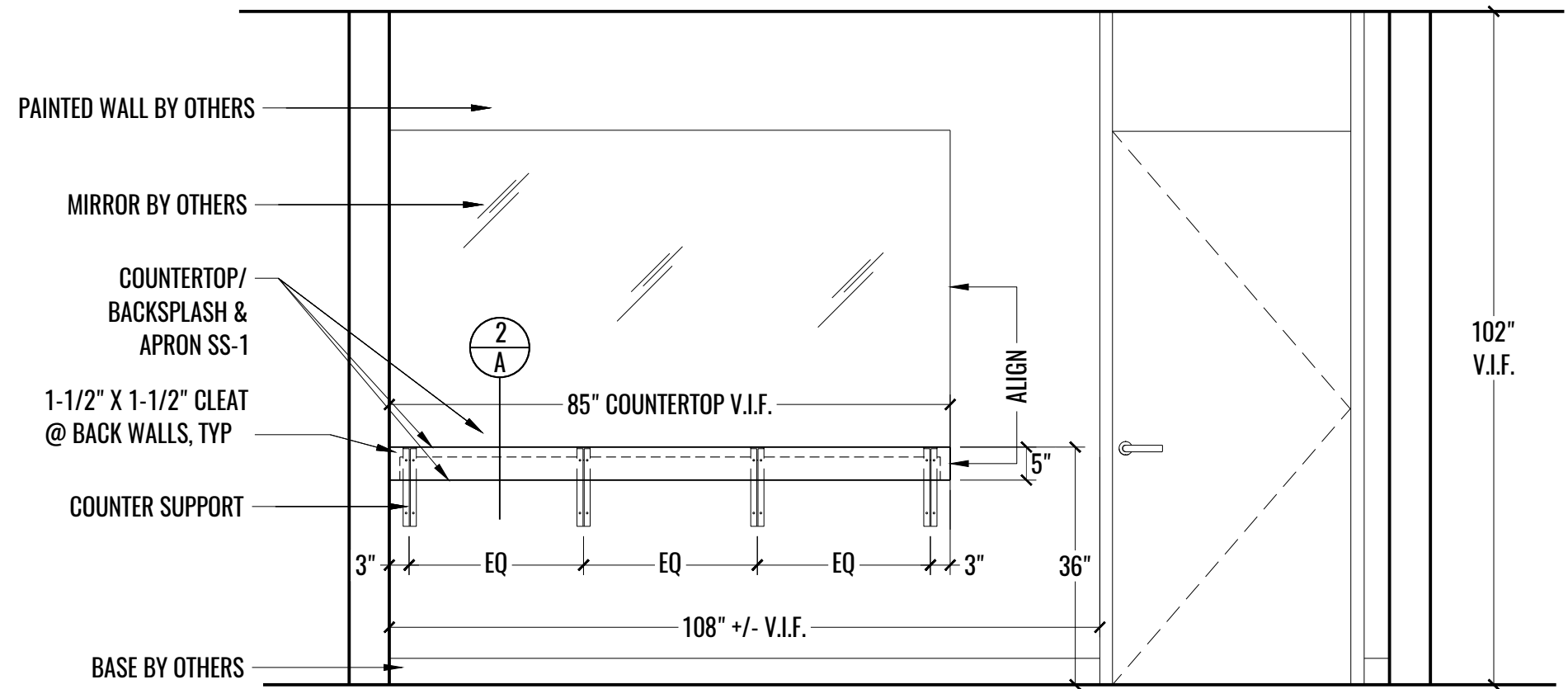


2 ELEVATION: VANITY @ WOMENS ROOM - 1708  
 3 SCALE: 1/2" = 1'-0"

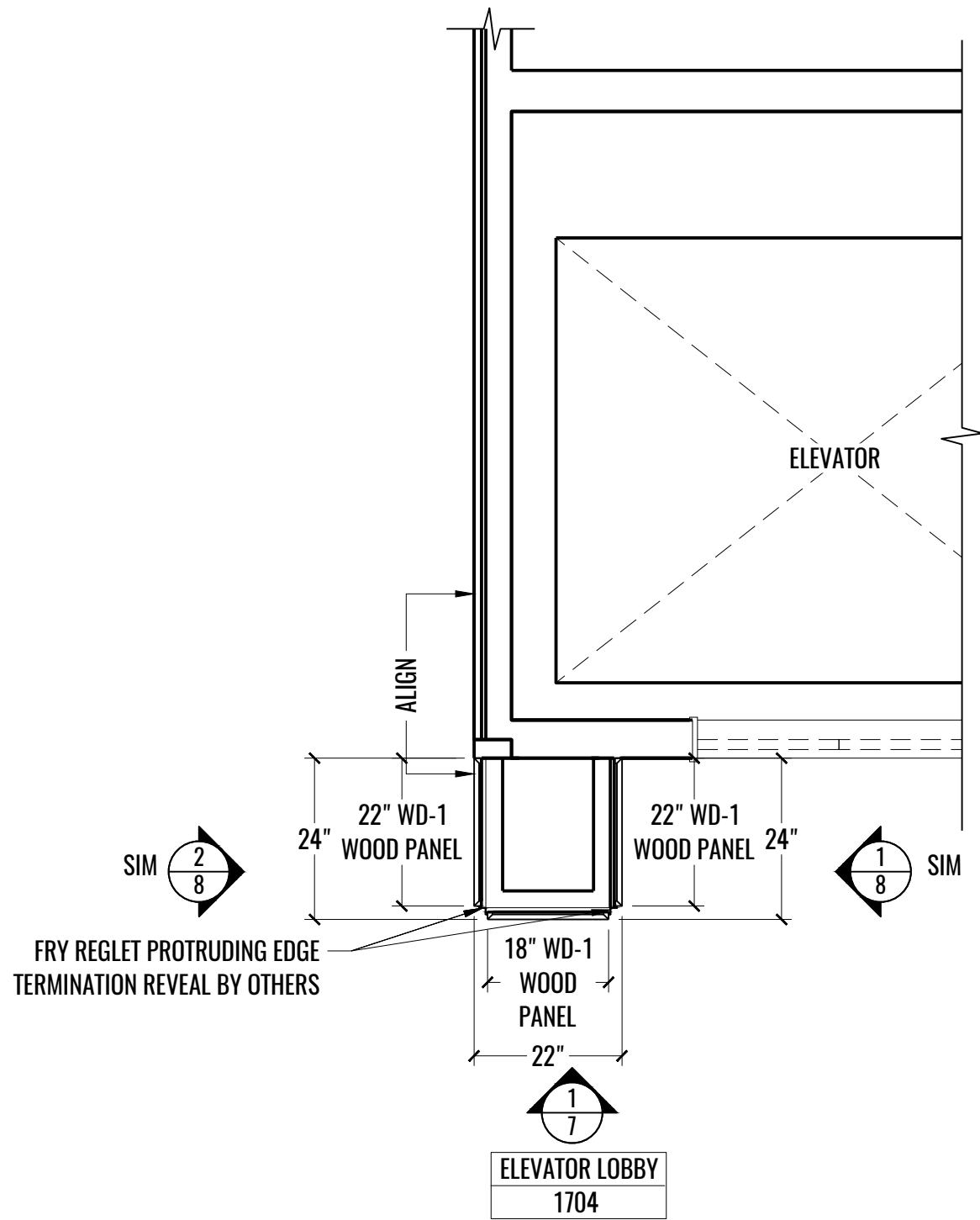


WOMENS ROOM  
1708

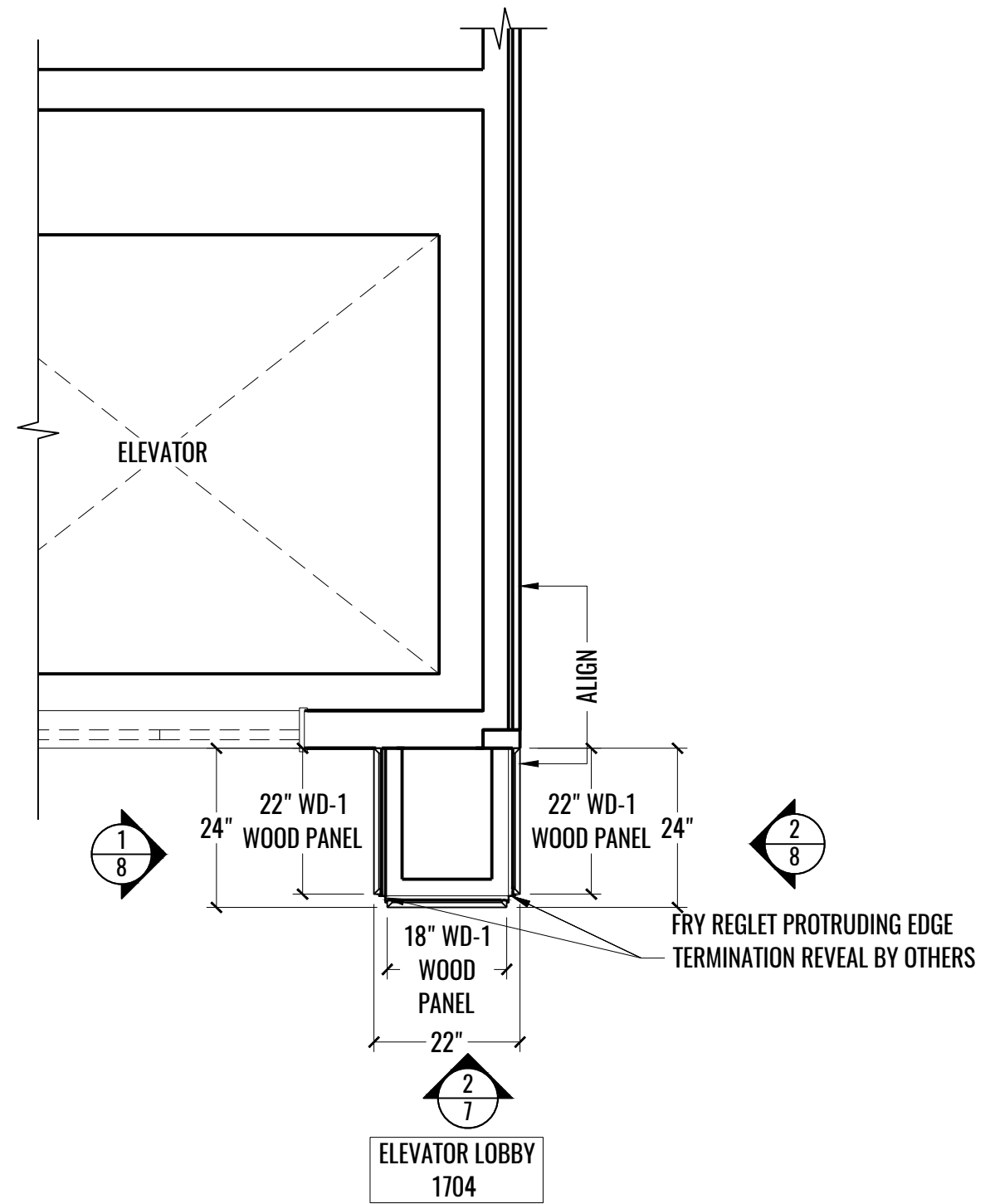
1 PLAN: SHELF @ WOMENS ROOM - 1708  
4 SCALE: 1/2" = 1'-0"



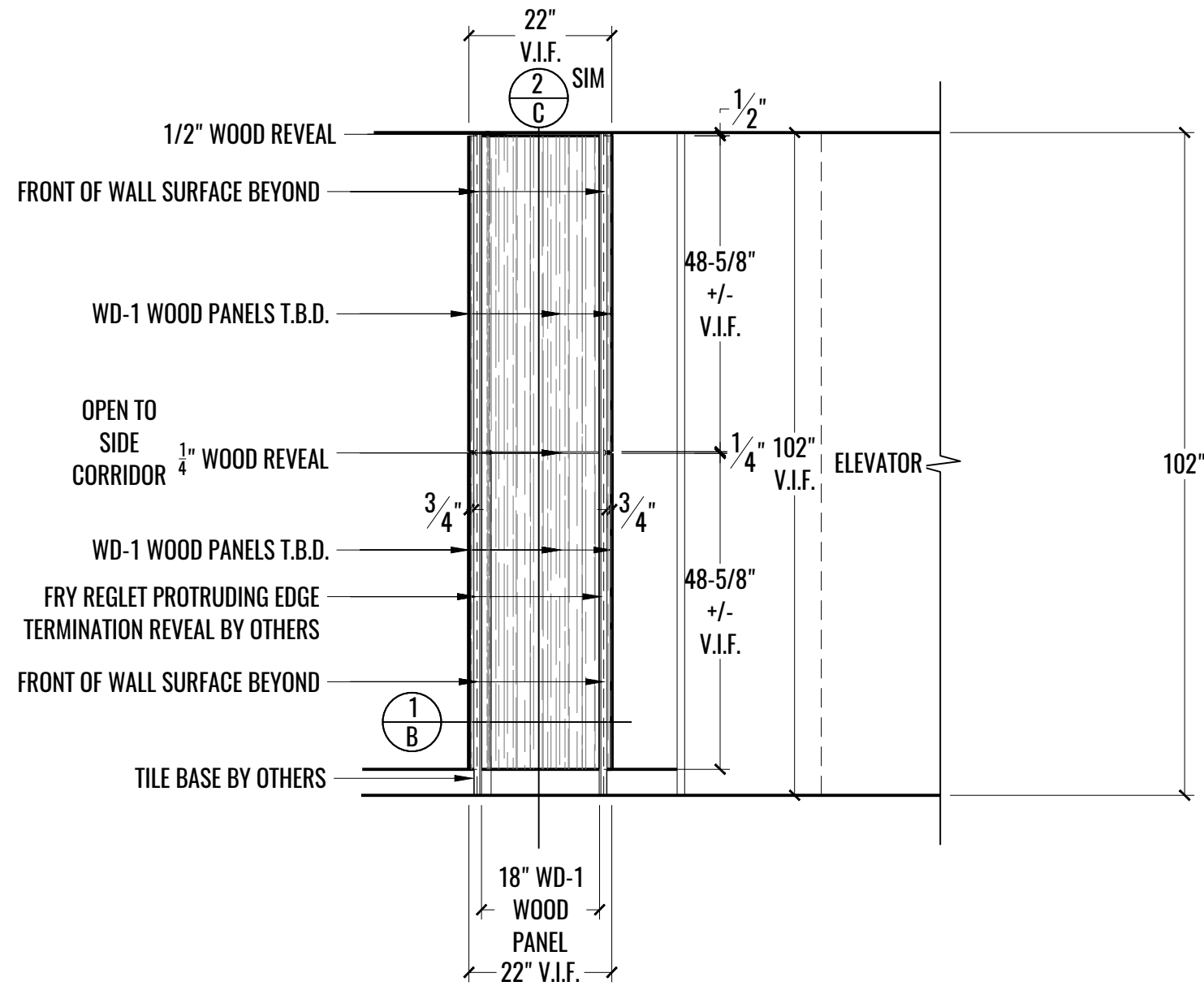
1  
5 ELEVATION: SHELF @ WOMENS ROOM - 1708  
SCALE: 1/2" = 1'-0"



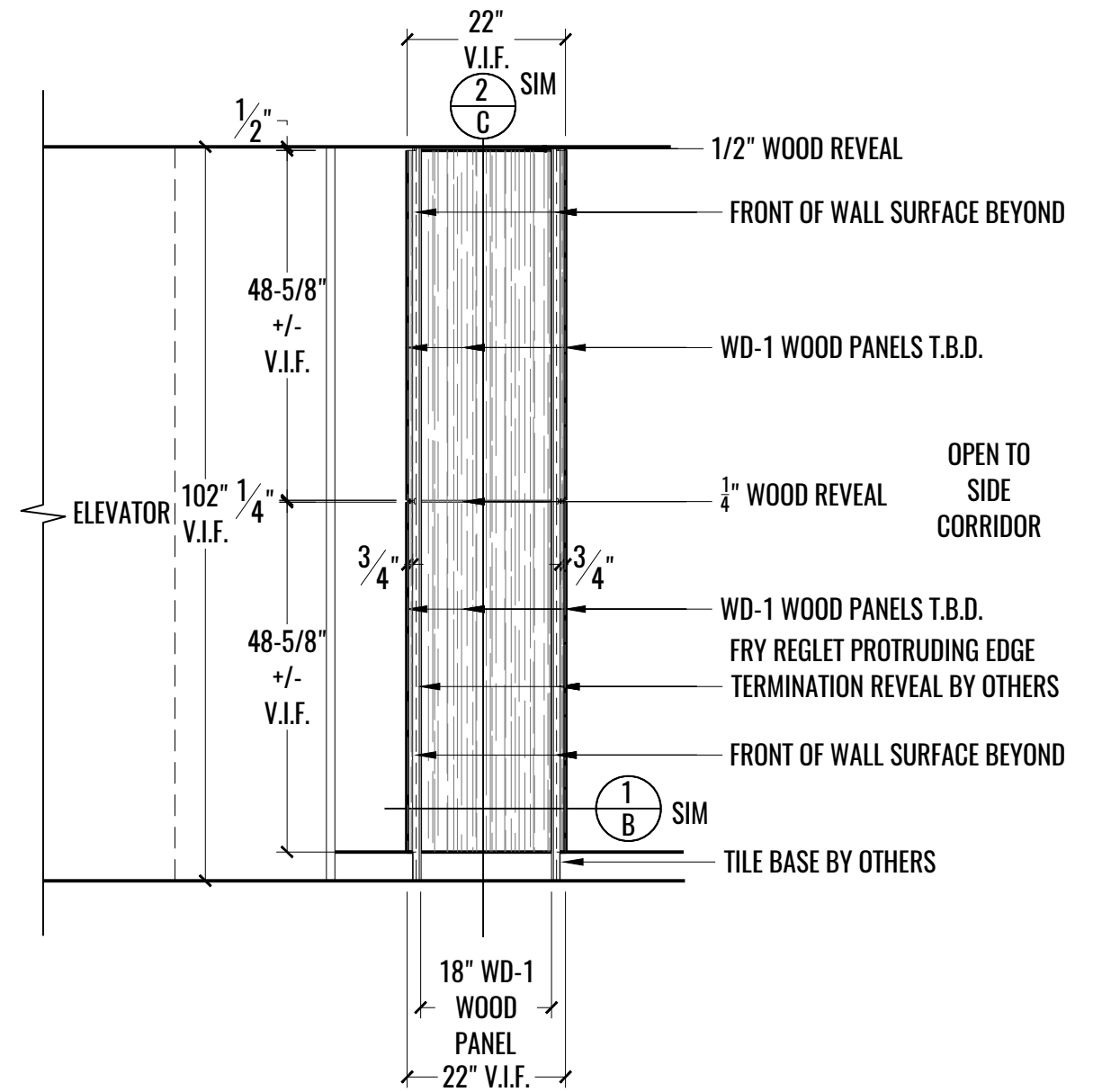
1 PLAN: WOOD PANEL COLUMN SURROUND @ ELEVATOR LOBBY (FRONT LEFT SIDE) - 1704  
6 SCALE: 1/2" = 1'-0"



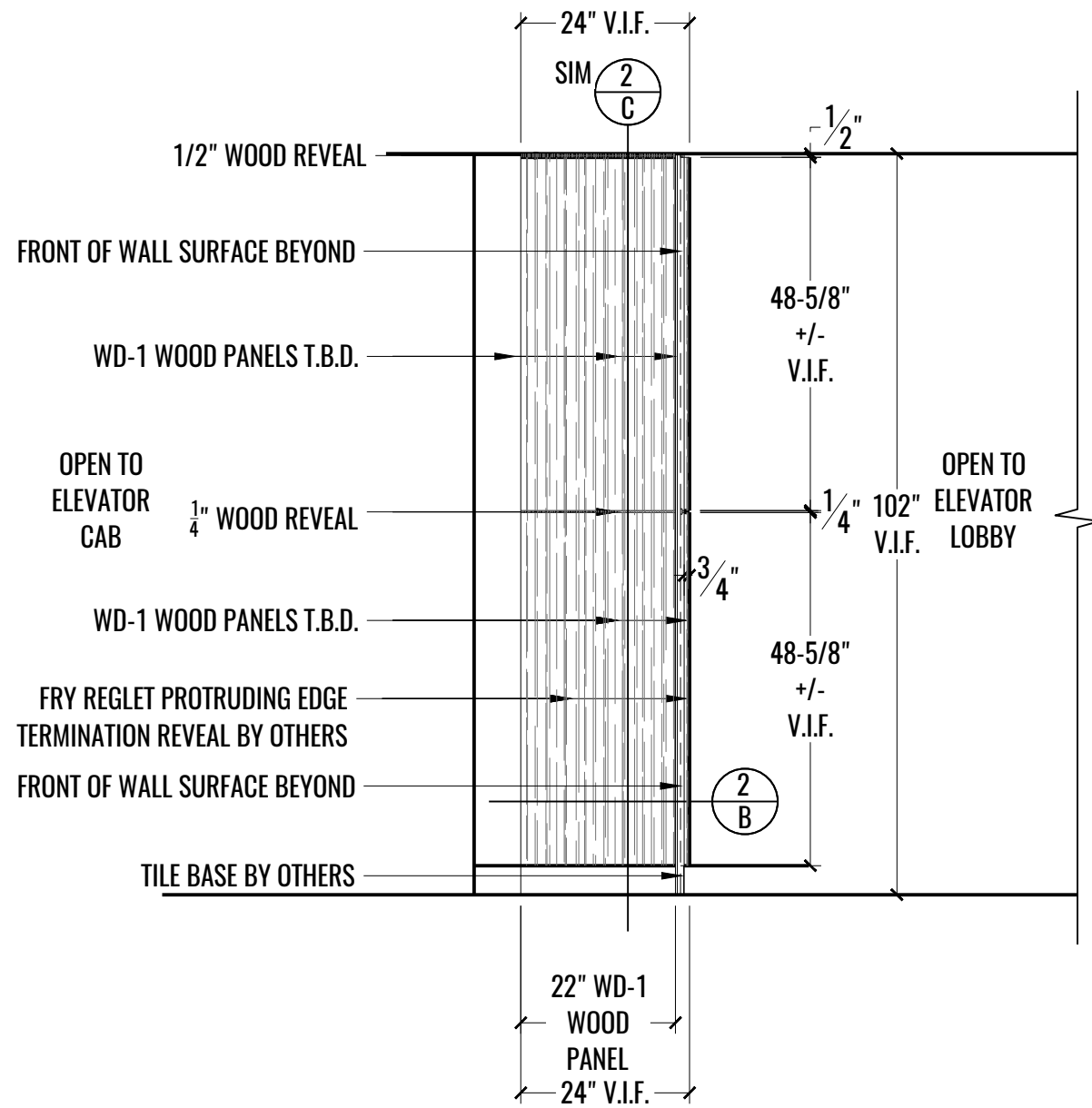
2 PLAN: WOOD PANEL COLUMN SURROUND @ ELEVATOR LOBBY (FRONT RIGHT SIDE) - 1704  
6 SCALE: 1/2" = 1'-0"



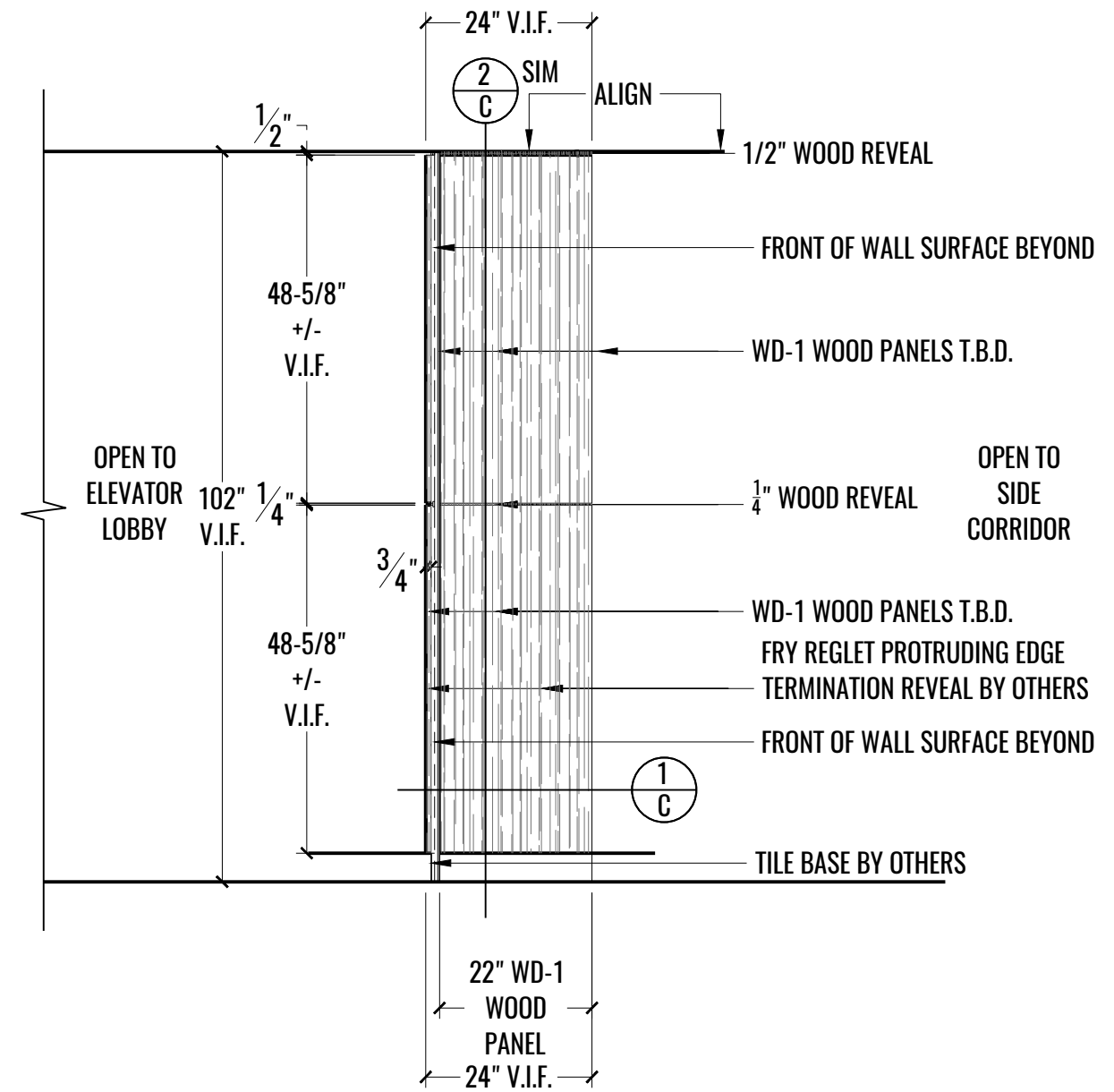
1  
7 ELEVATION: WOOD PANELS @ ELEVATOR LOBBY (FRONT LEFT SIDE) - 1704  
SCALE: 1/2" = 1'-0"



2  
7 ELEVATION: WOOD PANELS @ ELEVATOR LOBBY (FRONT RIGHT SIDE) - 1704  
SCALE: 1/2" = 1'-0"

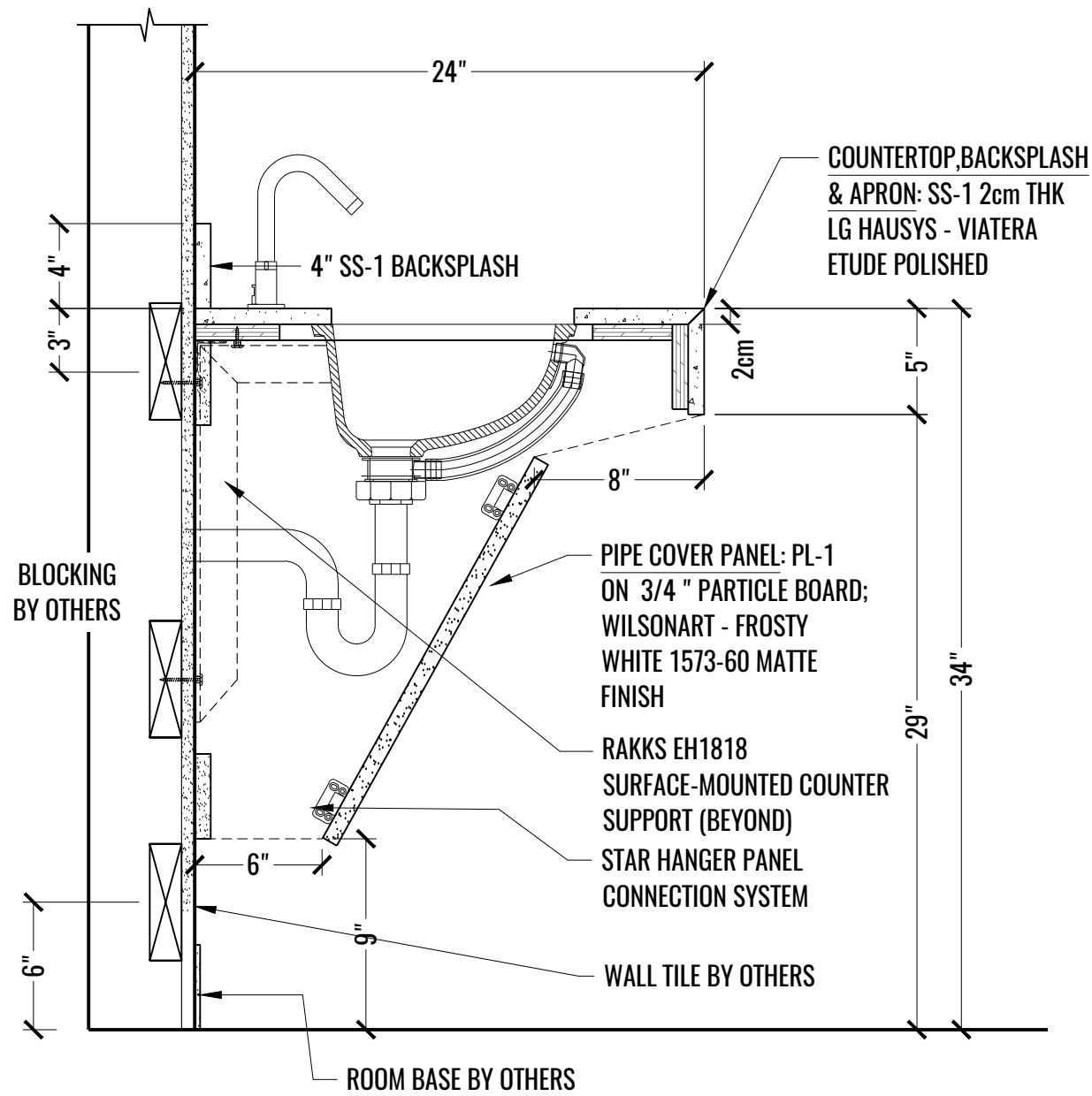


1 PLAN: WOOD PANELS @ ELEVATOR LOBBY (ELEVATOR SIDE LEFT/RIGHT) - 1704  
8 SCALE: 1/2" = 1'-0"

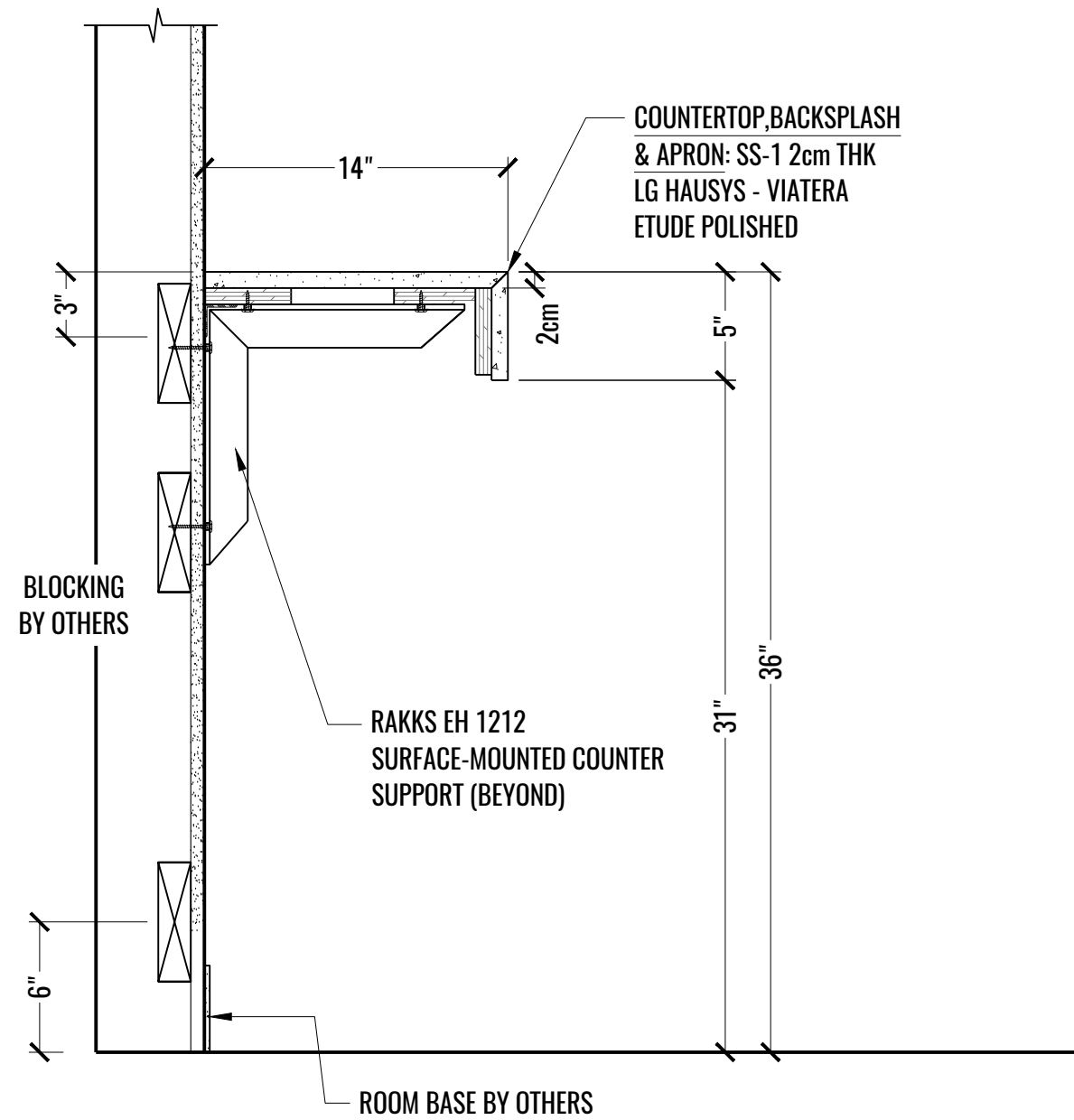


2 PLAN: WOOD PANELS @ ELEVATOR LOBBY (ELEVATOR SIDE LEFT/RIGHT) - 1704  
8 SCALE: 1/2" = 1'-0"

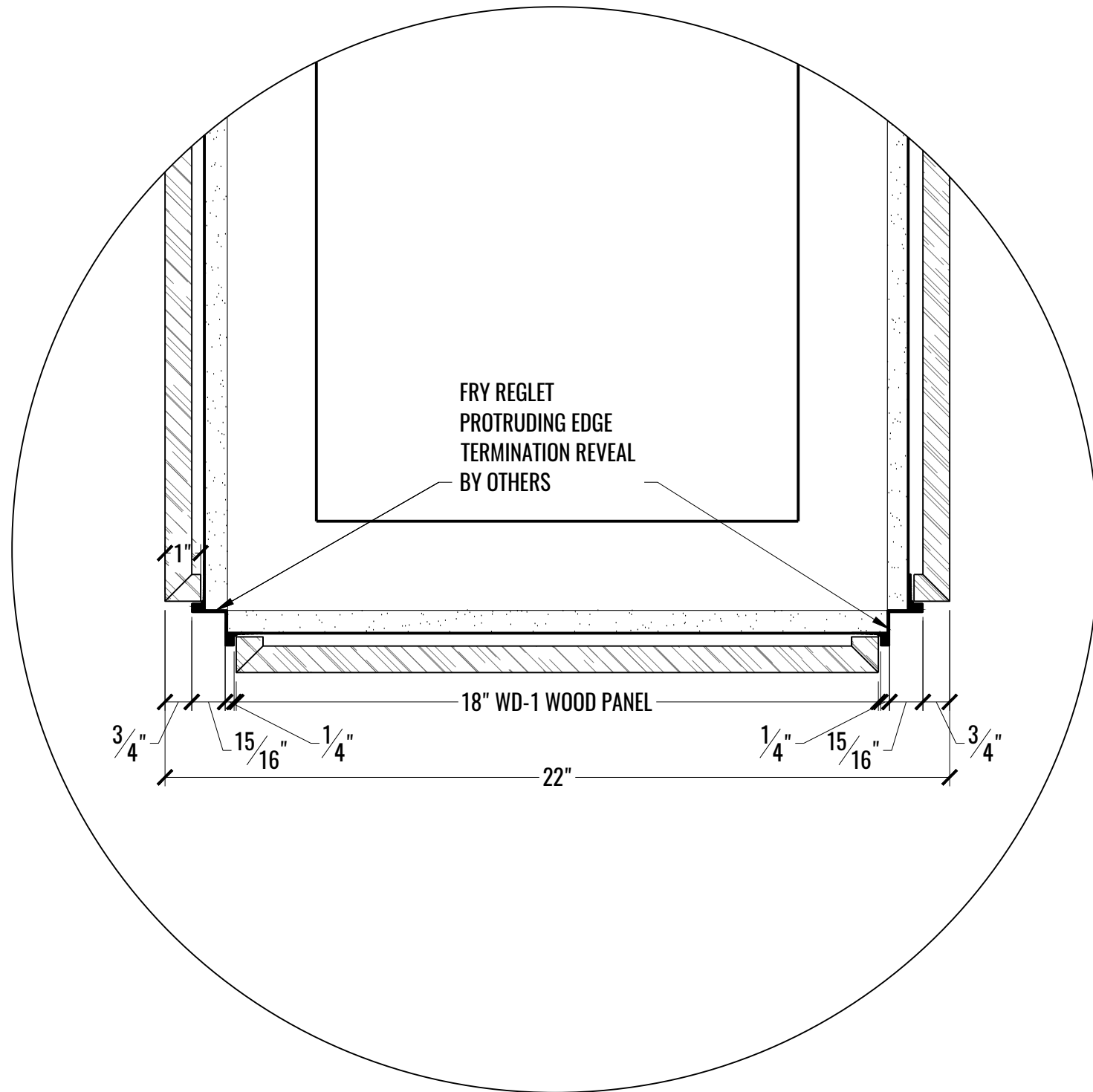




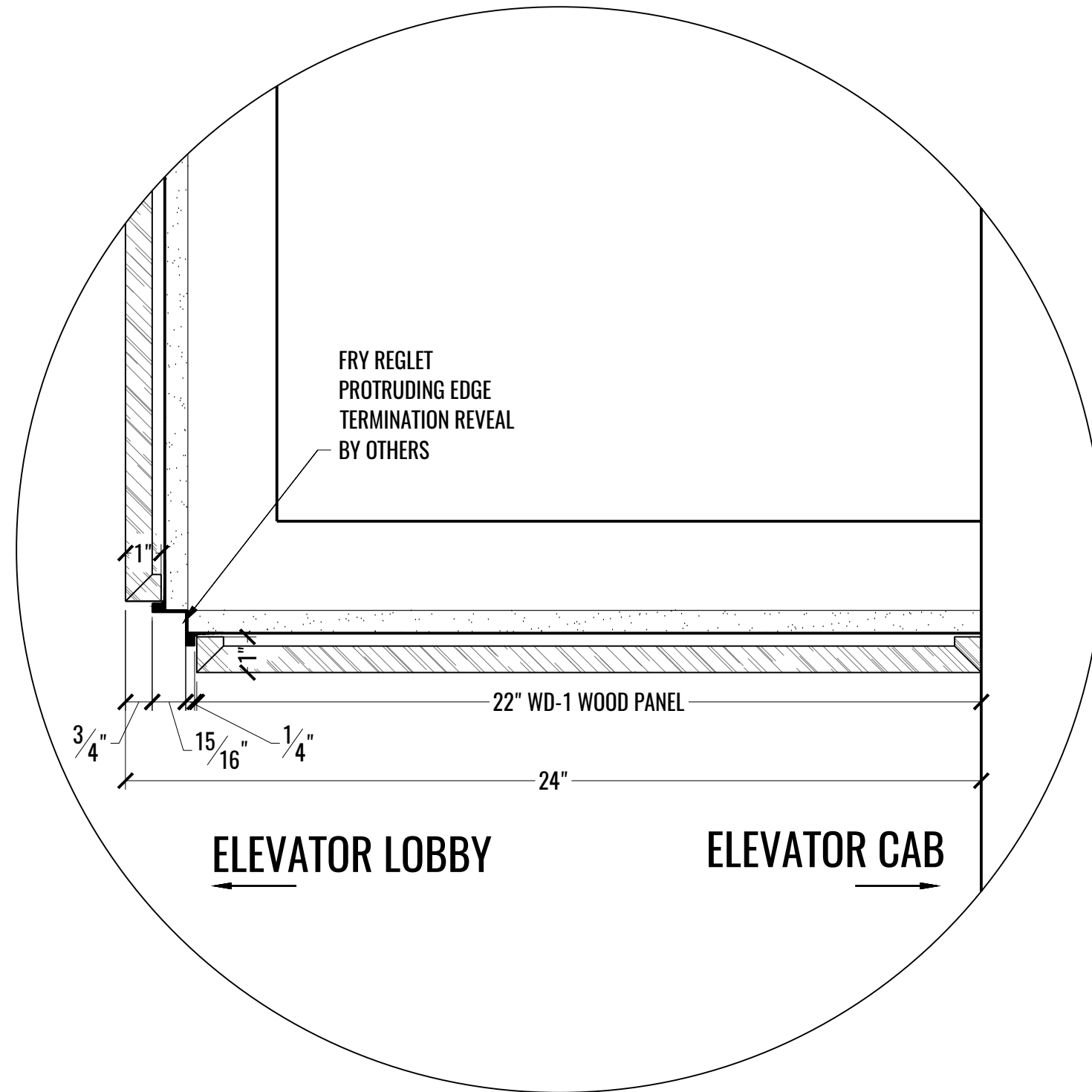
1 SECTION: SINK @ MENS/WOMENS ROOM - 1707/1708  
A SCALE: 1-1/2" = 1'-0"



2 SECTION: SHELF @ WOMENS ROOM - 1708  
A SCALE: 1-1/2" = 1'-0"



1 SECTION: WOOD PANELS @ ELEVATOR LOBBY (FRONT LEFT/RIGHT SIDE) - 1704  
 B SCALE: 3" = 1'-0"



2 SECTION: WOOD PANELS @ ELEVATOR LOBBY (ELEVATOR LEFT/RIGHT SIDE) - 1704  
 B SCALE: 3" = 1'-0"

