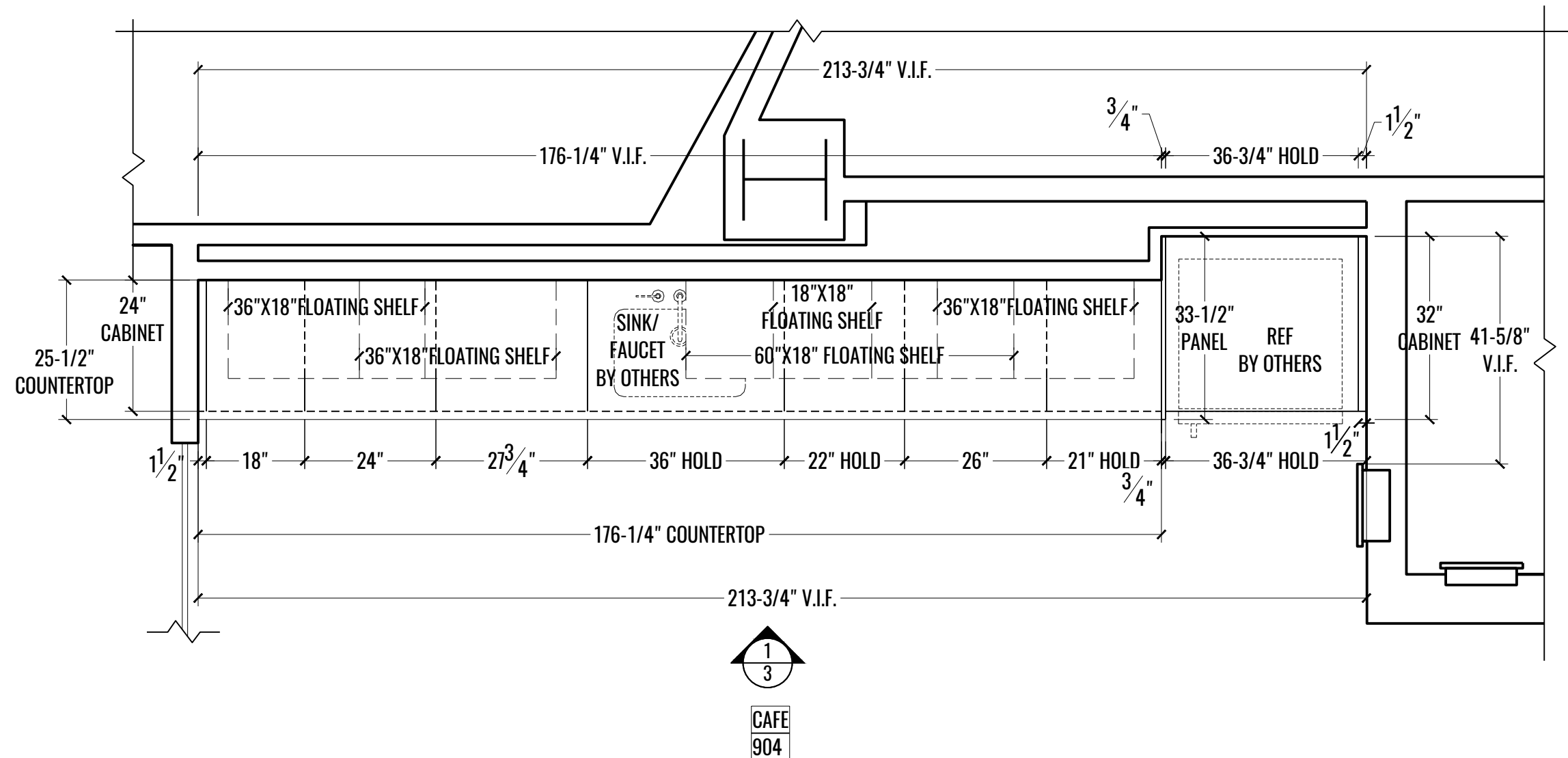
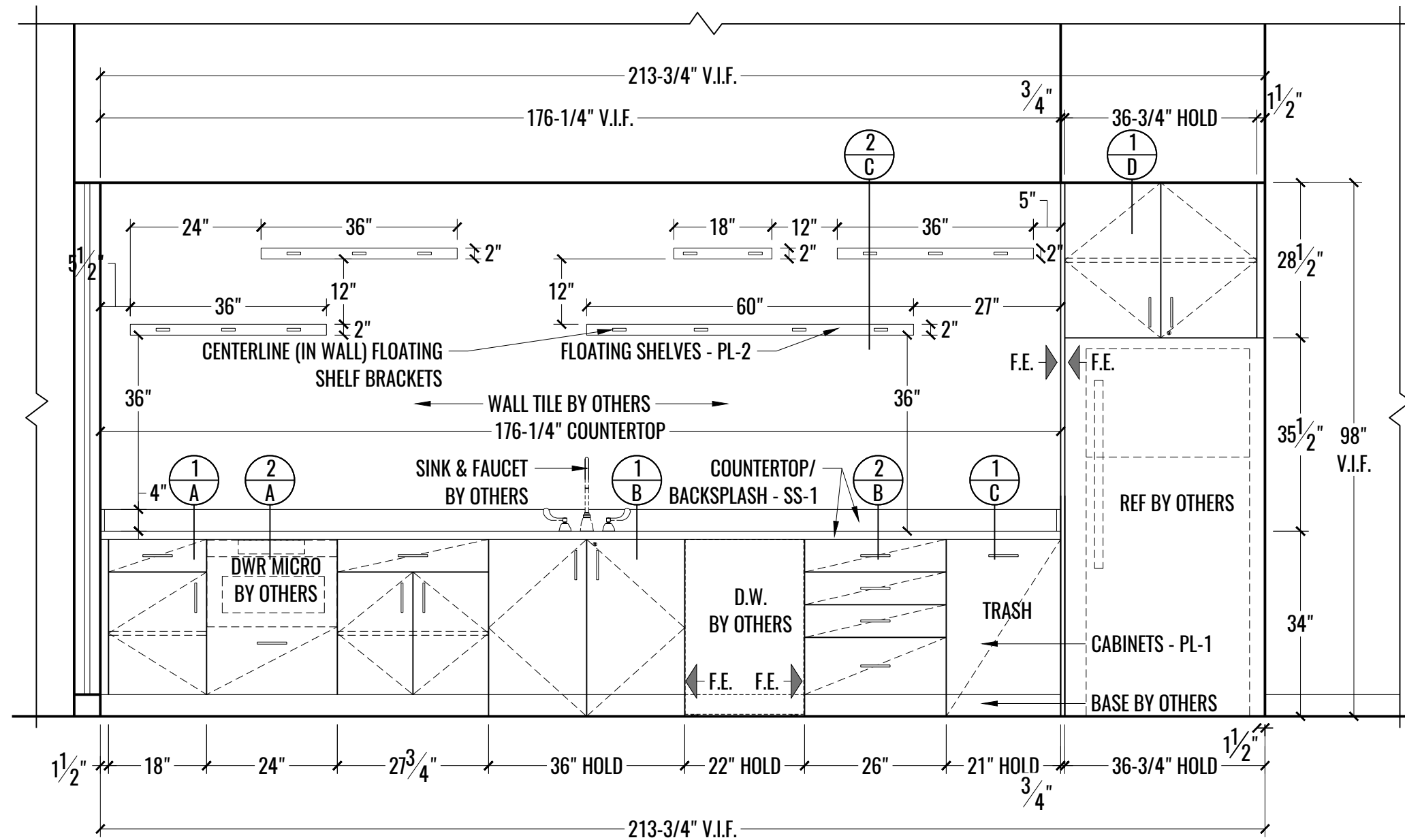


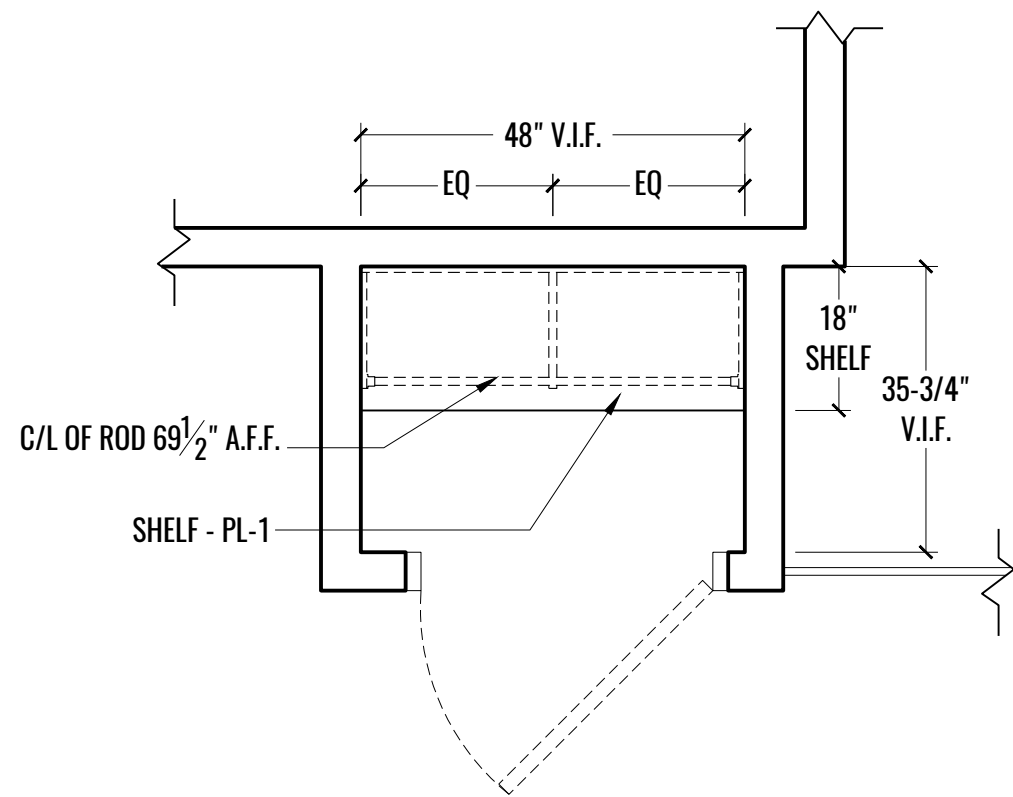
1 PLAN: PROJECT SCOPE - 9TH FLOOR  
 1 SCALE: NOT TO SCALE



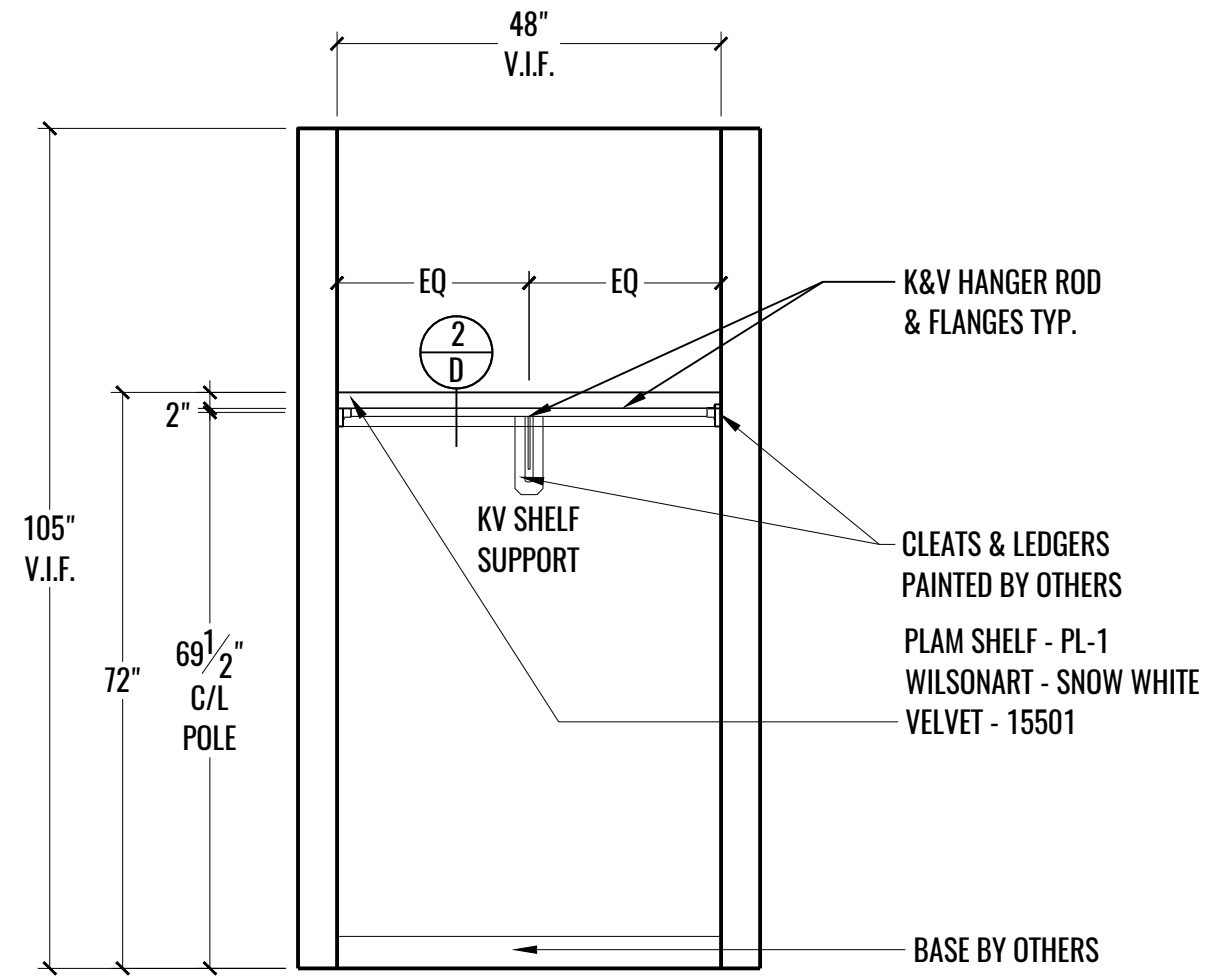
1 PLAN: CAFE - 904  
2 SCALE: 1/2" = 1'-0"



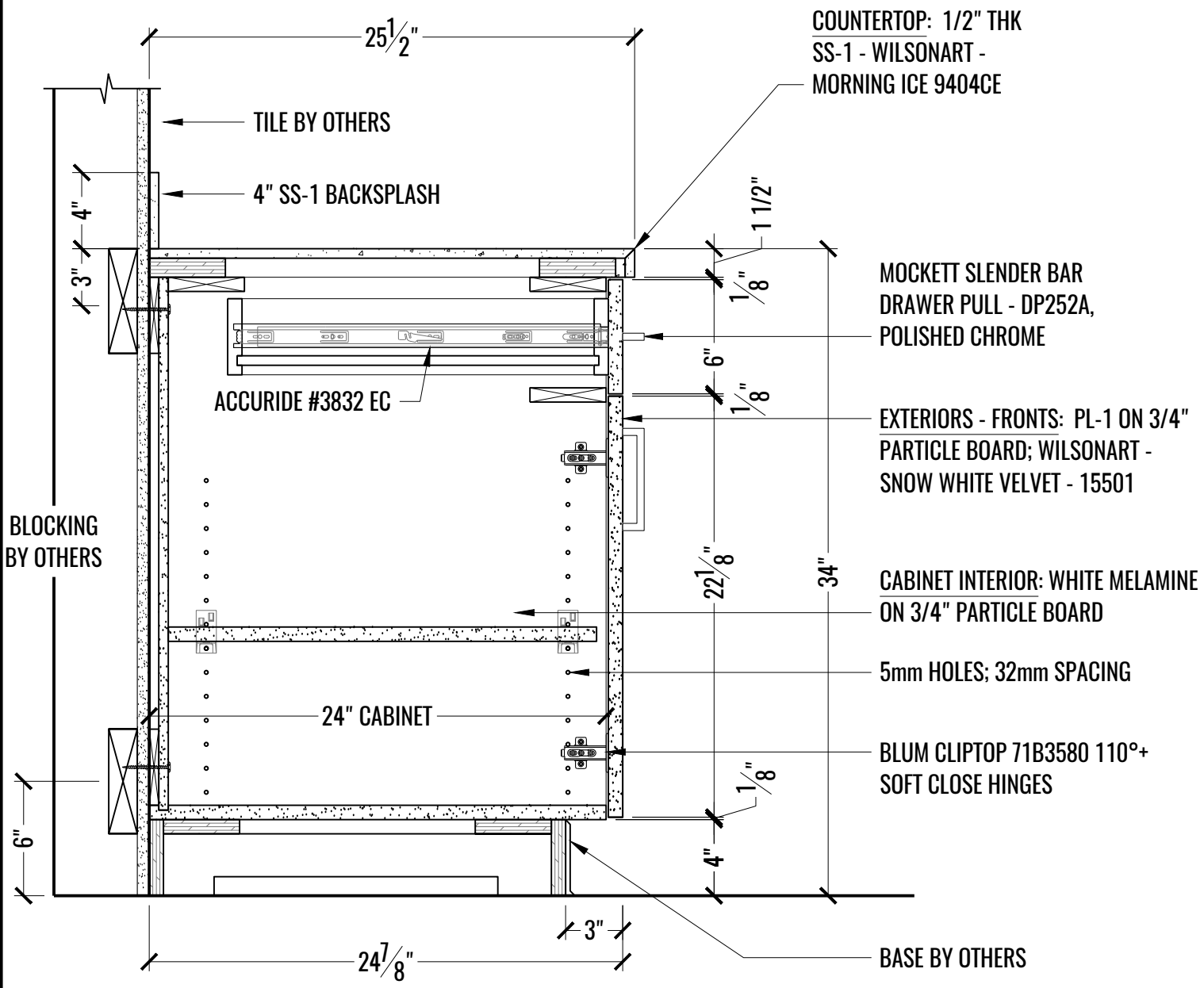
1 ELEVATION: CAFE - 904  
 3 SCALE: 1/2" = 1'-0"



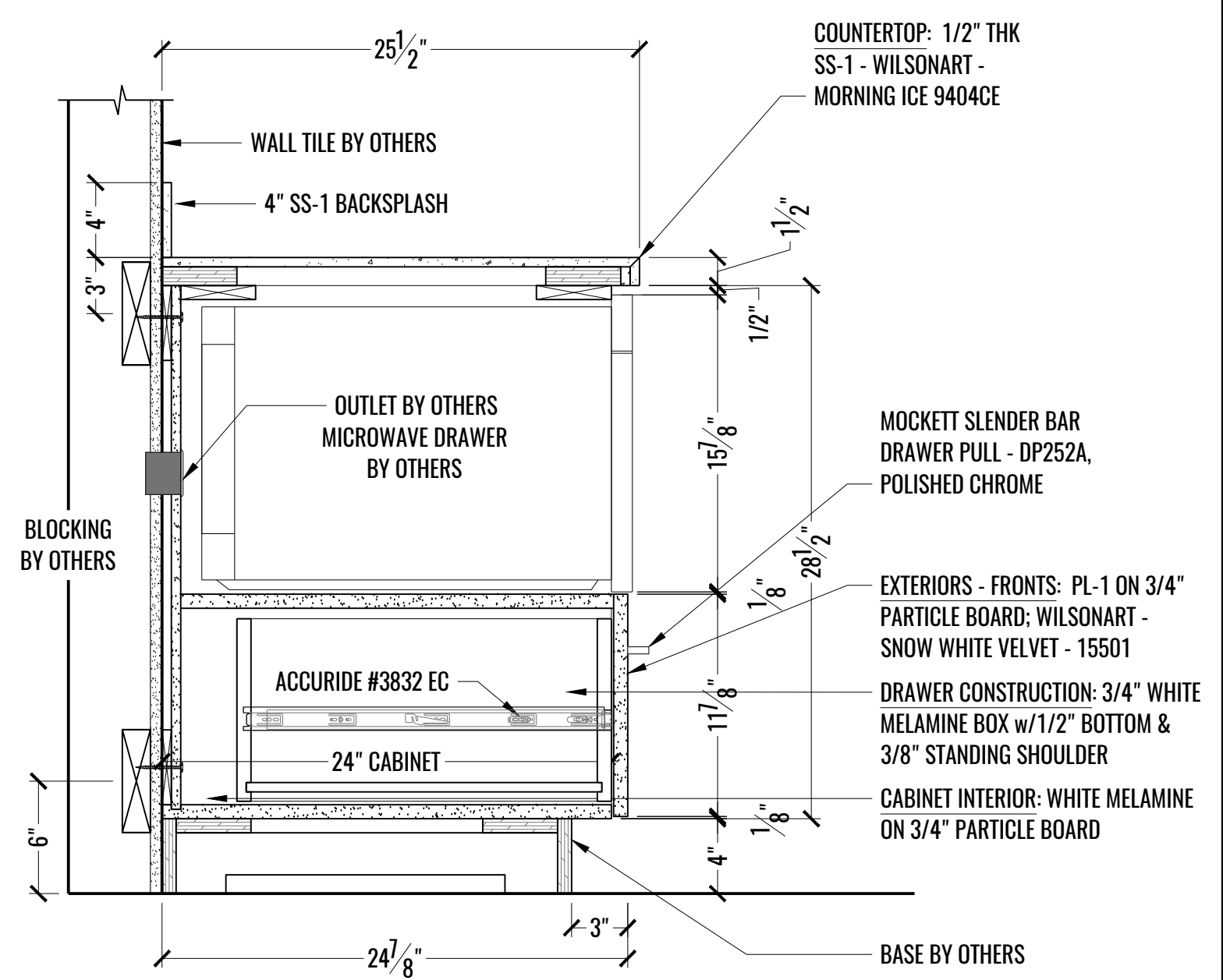
1 PLAN: COATS - 902  
4 SCALE: 1/2" = 1'-0"



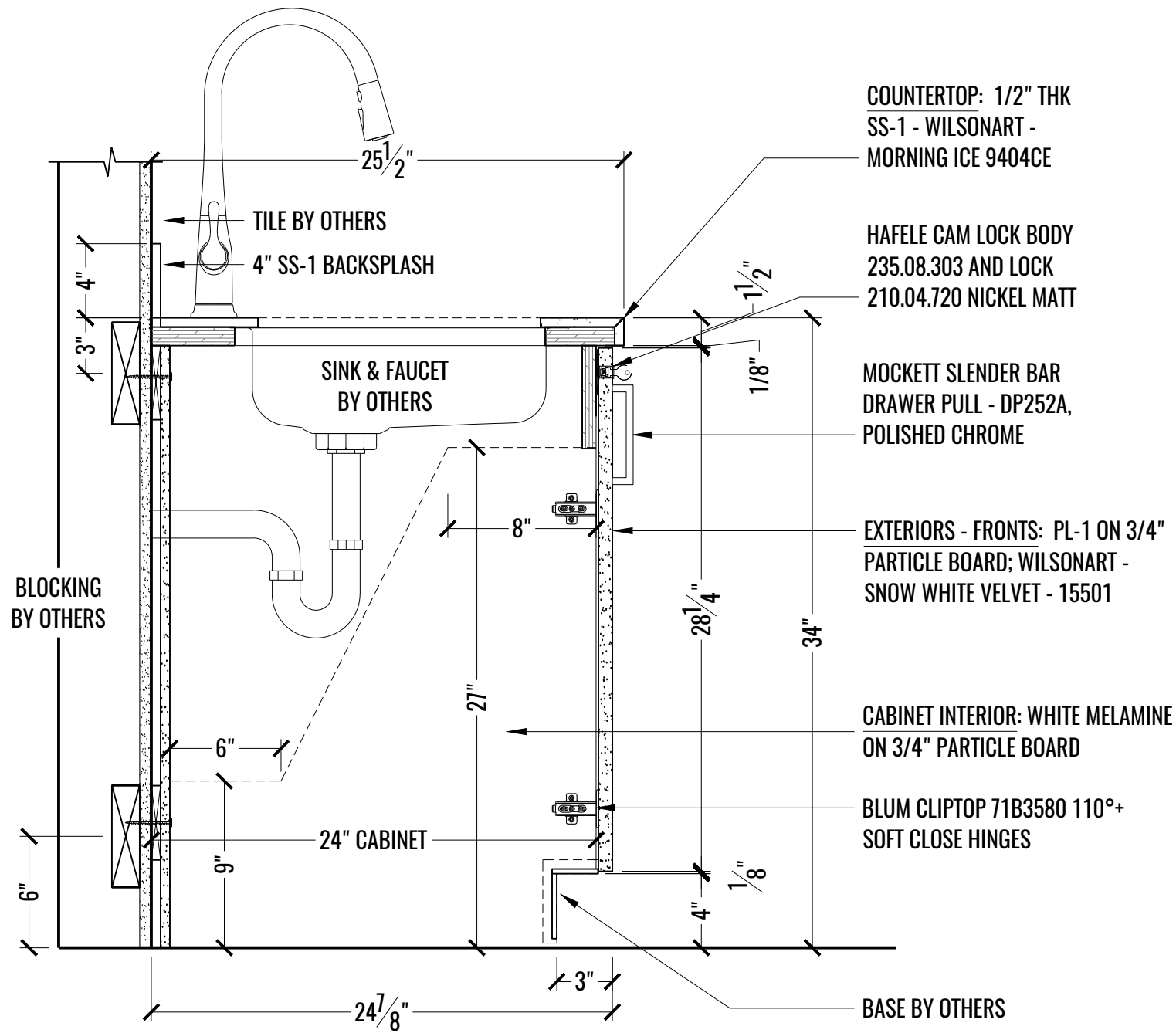
2 ELEVATION: COATS - 902  
4 SCALE: 1/2" = 1'-0"



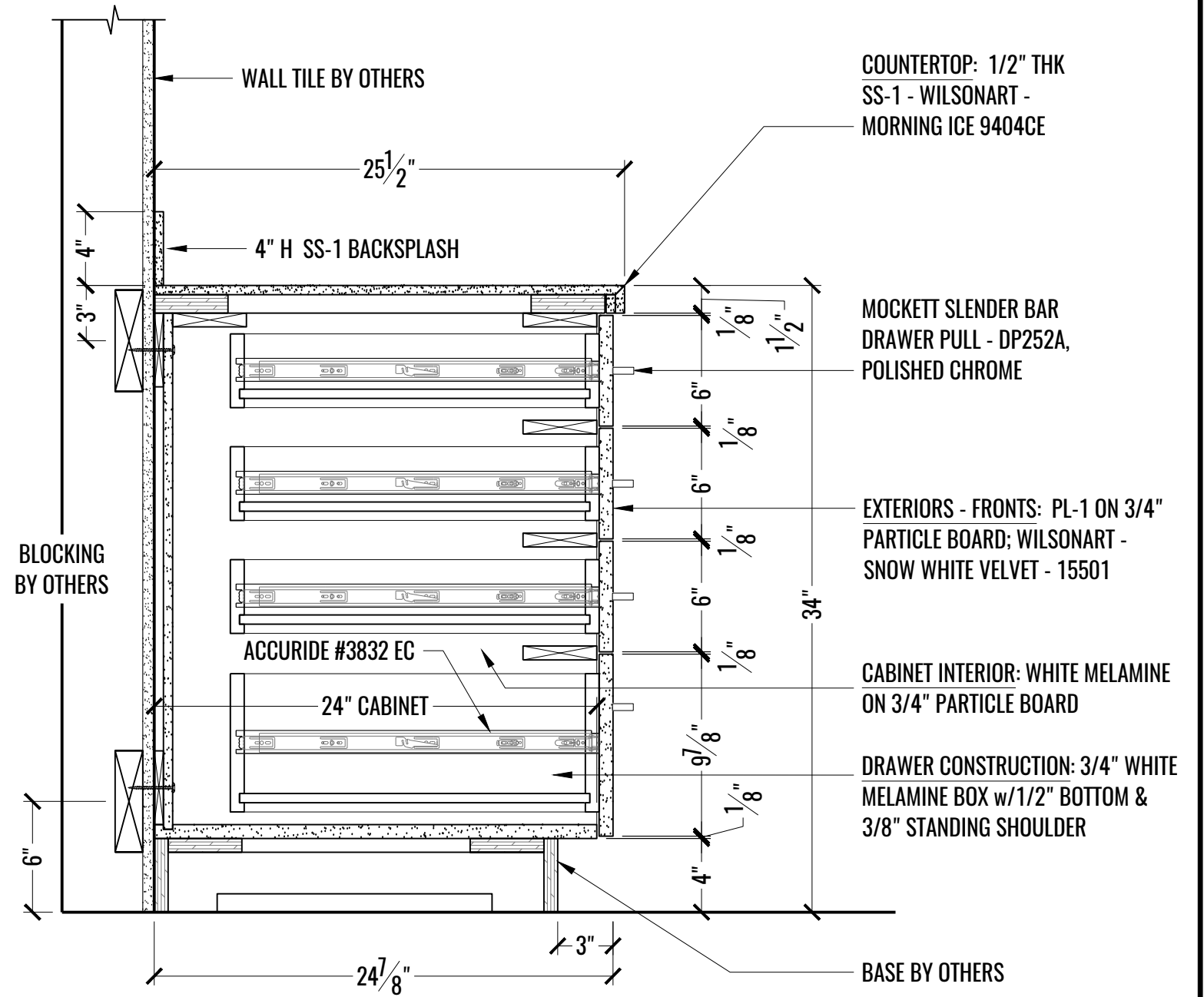
1 SECTION: BASE CABINET @ CAFE - 904  
A SCALE: 1-1/2" = 1'-0"



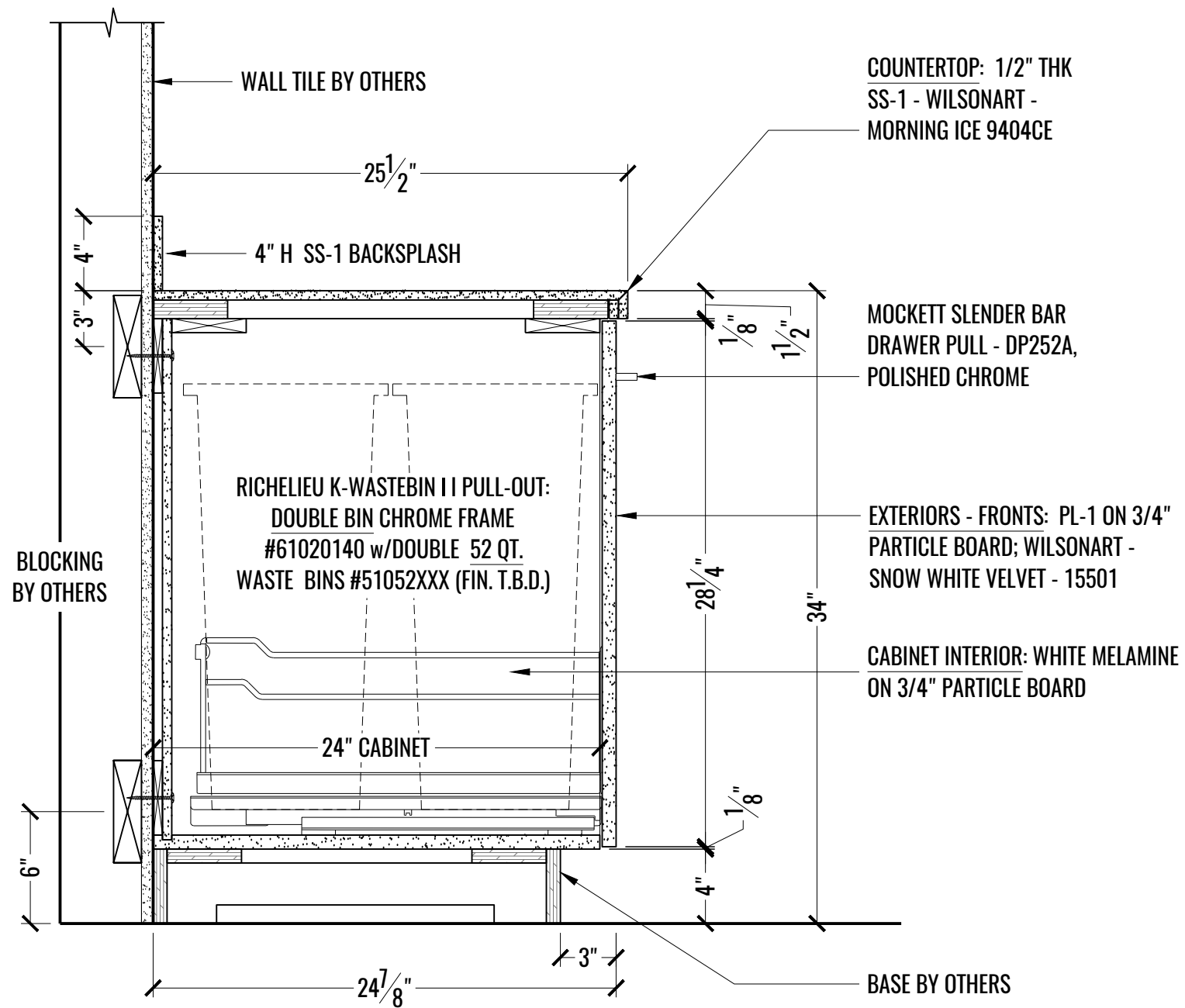
2 SECTION: MICROWAVE DRAWER W/ DRAWER BELOW @ CAFE - 904  
A SCALE: 1-1/2" = 1'-0"



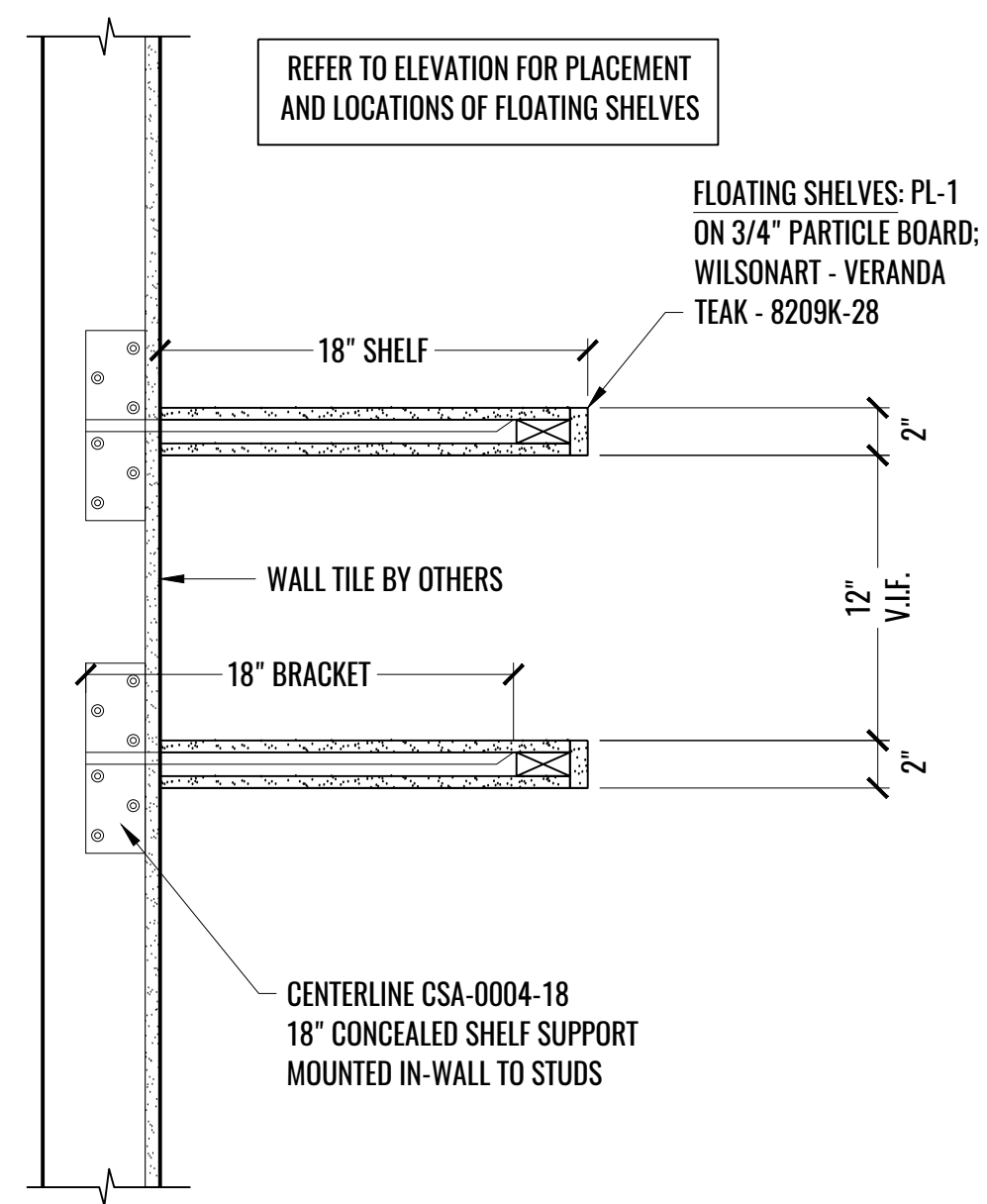
1 SECTION: SINK @ CAFE - 904  
B SCALE: 1-1/2" = 1'-0"



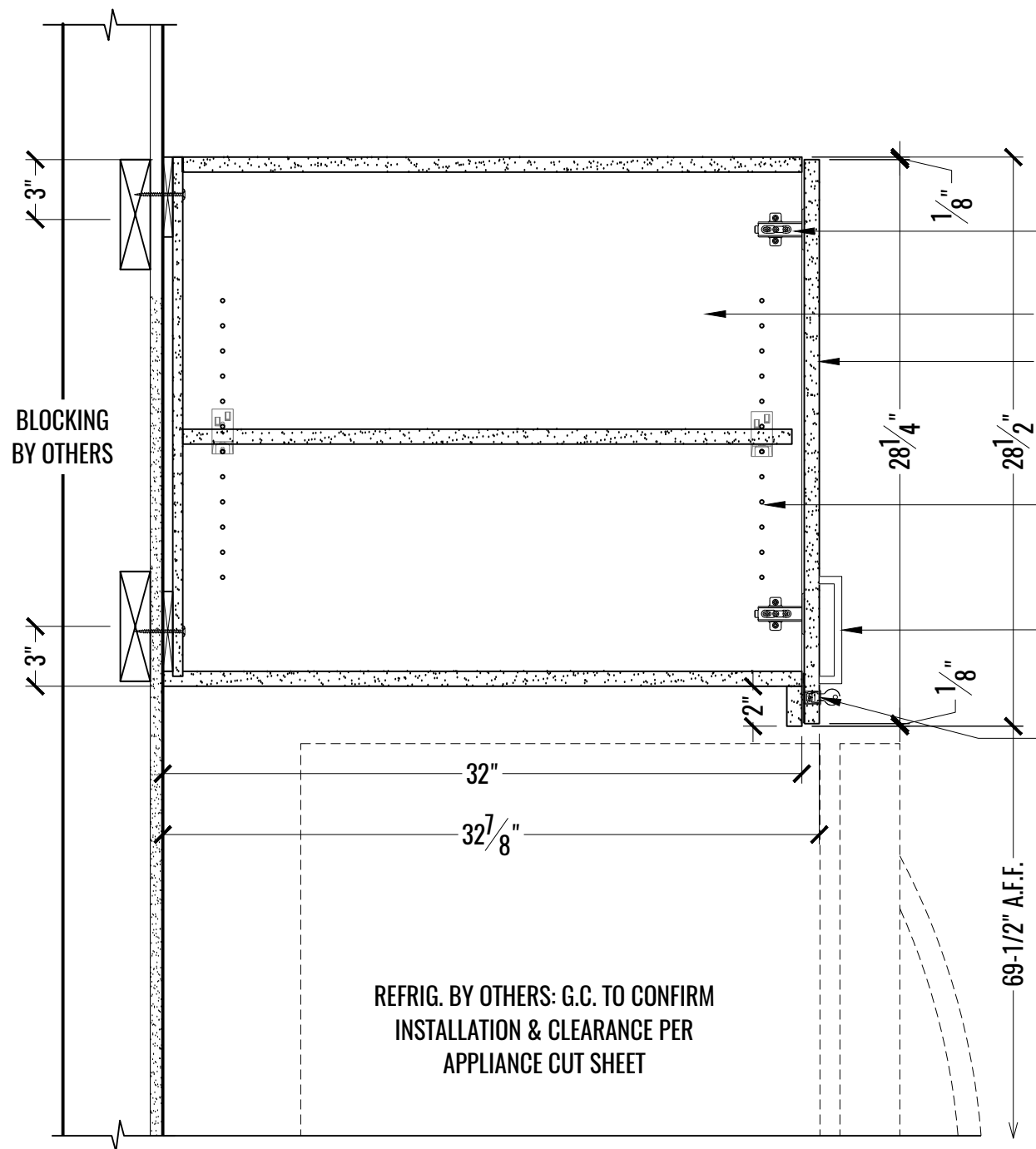
2 SECTION: DRAWERS @ CAFE - 904  
B SCALE: 1-1/2" = 1'-0"



1 SECTION: TRASH ROLLOUT @ CAFE - 904  
 C SCALE: 1-1/2" = 1'-0"



2 SECTION: FLOATING SHELVES @ CAFE - 904  
 C SCALE: 1-1/2" = 1'-0"



BLUM CLIPTOP 71B3580 110°+  
SOFT CLOSE HINGES

CABINET INTERIOR: WHITE MELAMINE  
ON 3/4" PARTICLE BOARD

EXTERIORS - FRONTS: PL-1 ON 3/4"  
PARTICLE BOARD; WILSONART -  
SNOW WHITE VELVET - 15501

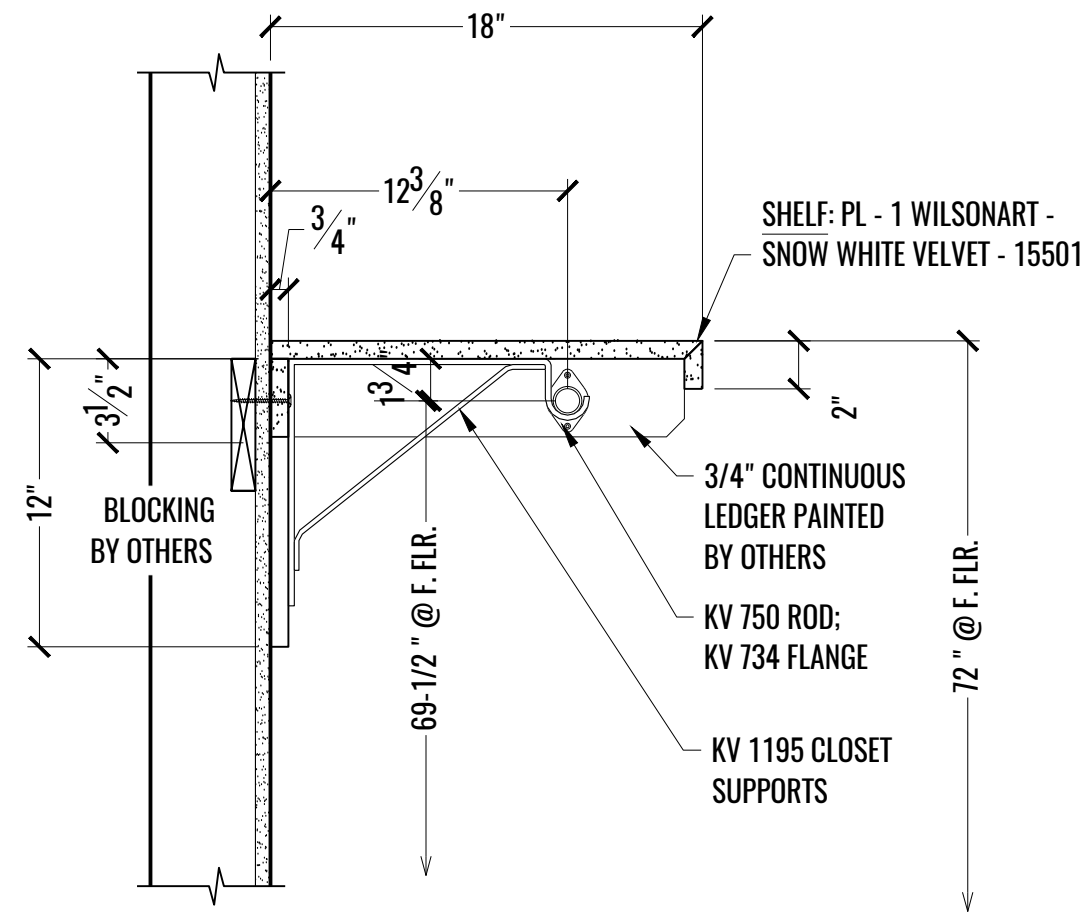
5mm HOLES; 32mm SPACING

MOCKETT SLENDER BAR  
DRAWER PULL - DP252A,  
POLISHED CHROME

HAFELE CAM LOCK BODY  
235.08.303 AND LOCK  
210.04.720 NICKEL MATT

REFRIG. BY OTHERS: G.C. TO CONFIRM  
INSTALLATION & CLEARANCE PER  
APPLIANCE CUT SHEET

1 SECTION: CABINET ABOVE REFRIGERATOR @ CAFE - 904  
D SCALE: 1-1/2" = 1'-0"



2 SECTION: CLOSET POLE/SHELF @ COATS - 902  
D SCALE: 1-1/2" = 1'-0"