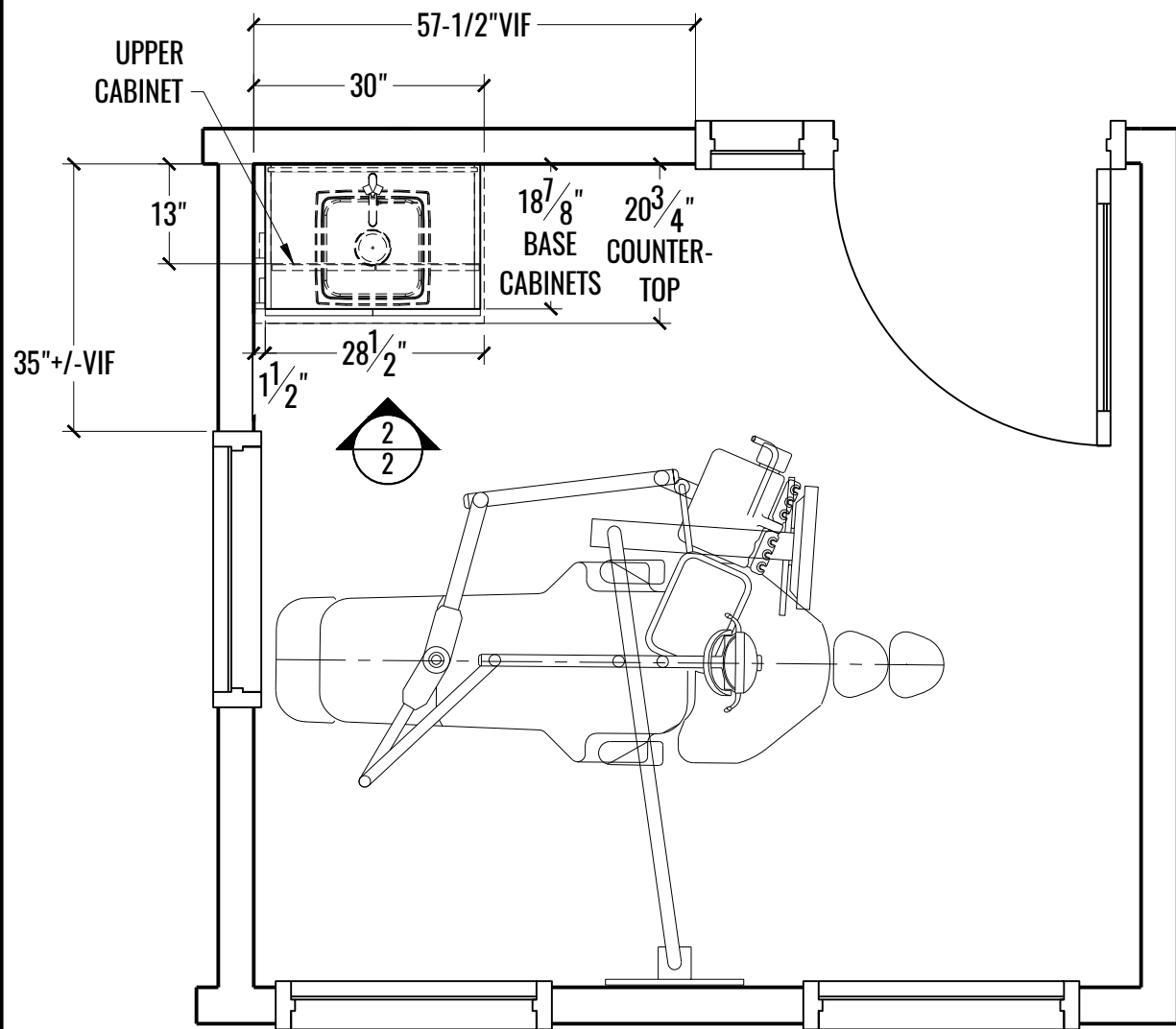
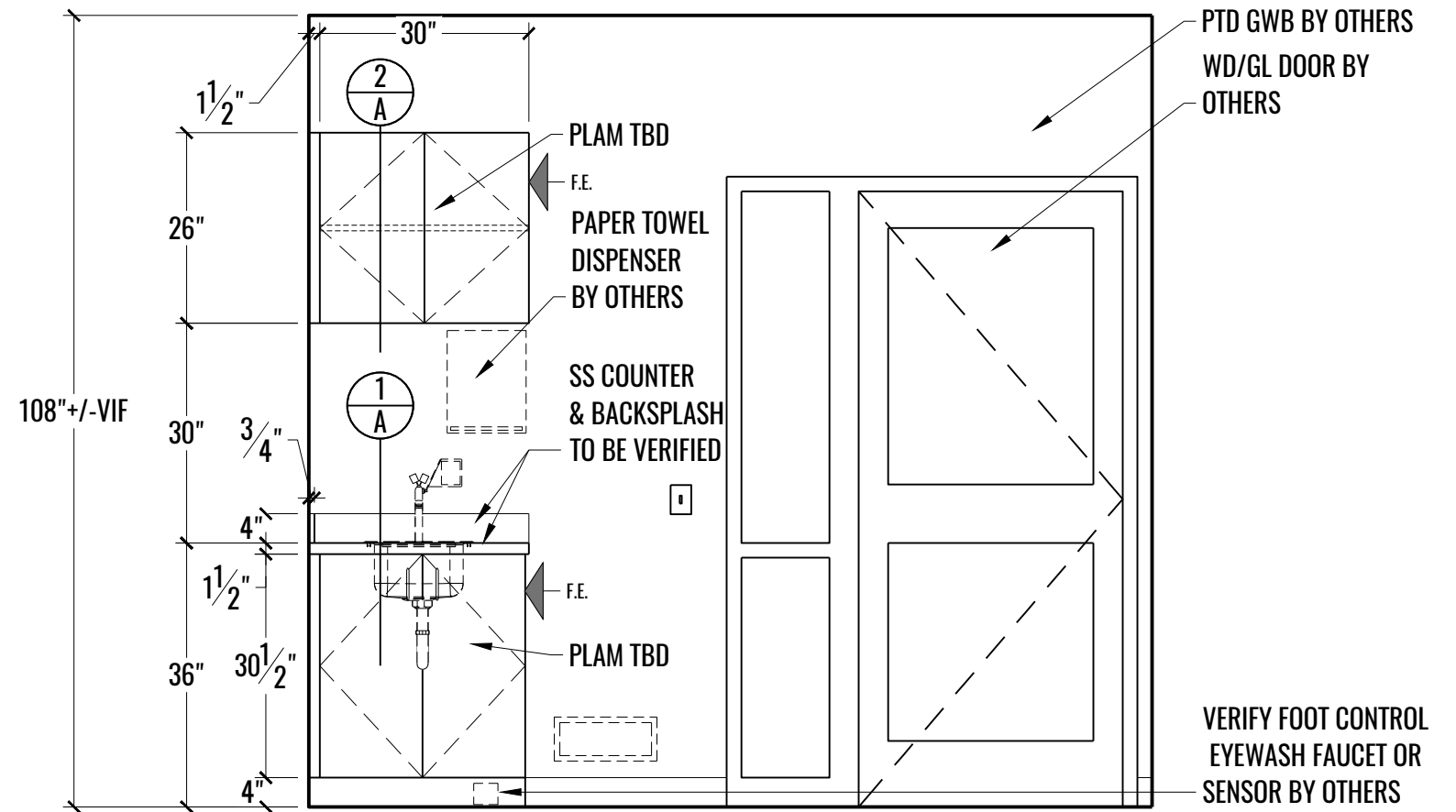


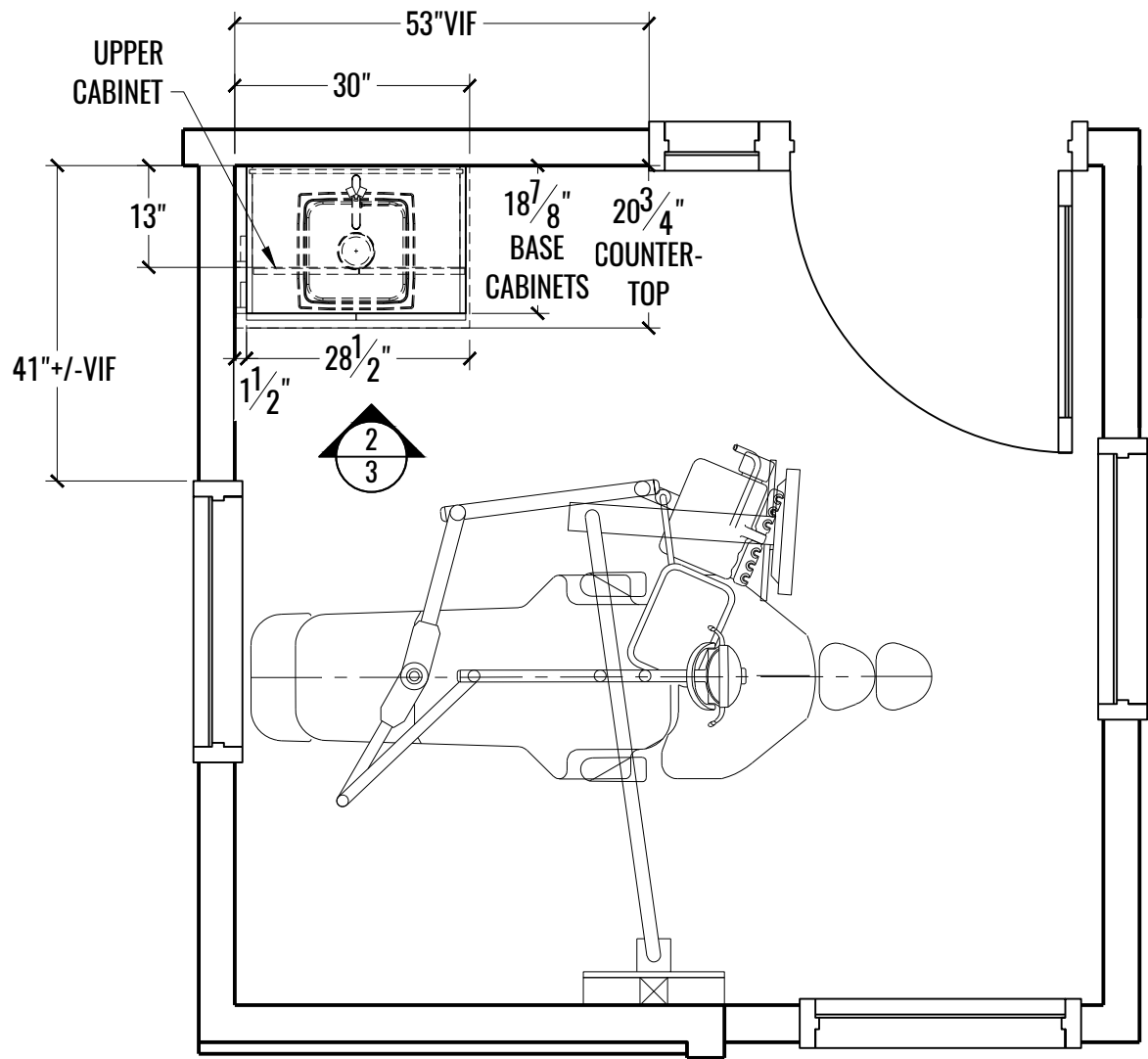
1 PLAN: PROJECT SCOPE  
 1 SCALE: NOT TO SCALE



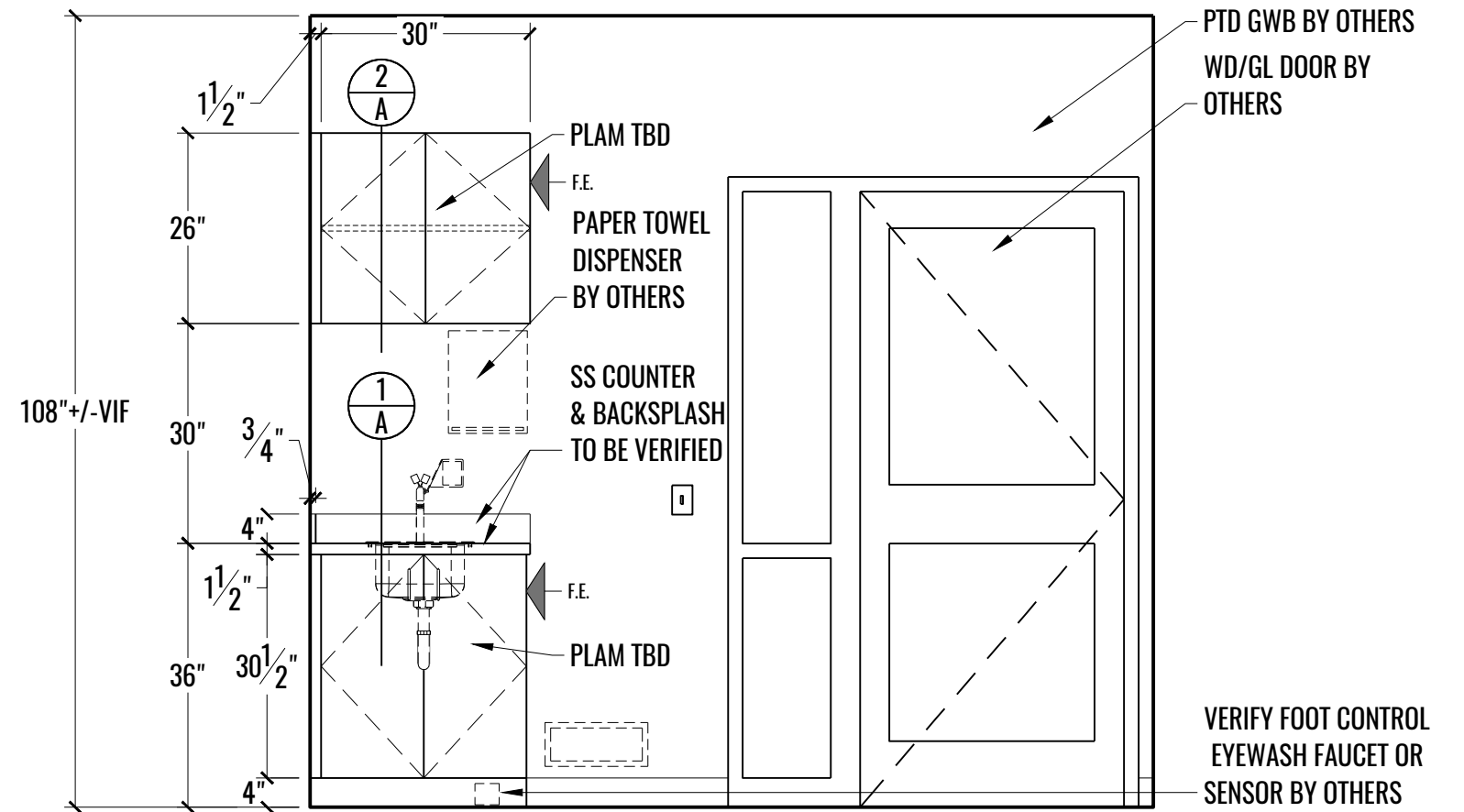
1 PLAN: TREATMENT A  
2 SCALE: 1/2" = 1'-0"



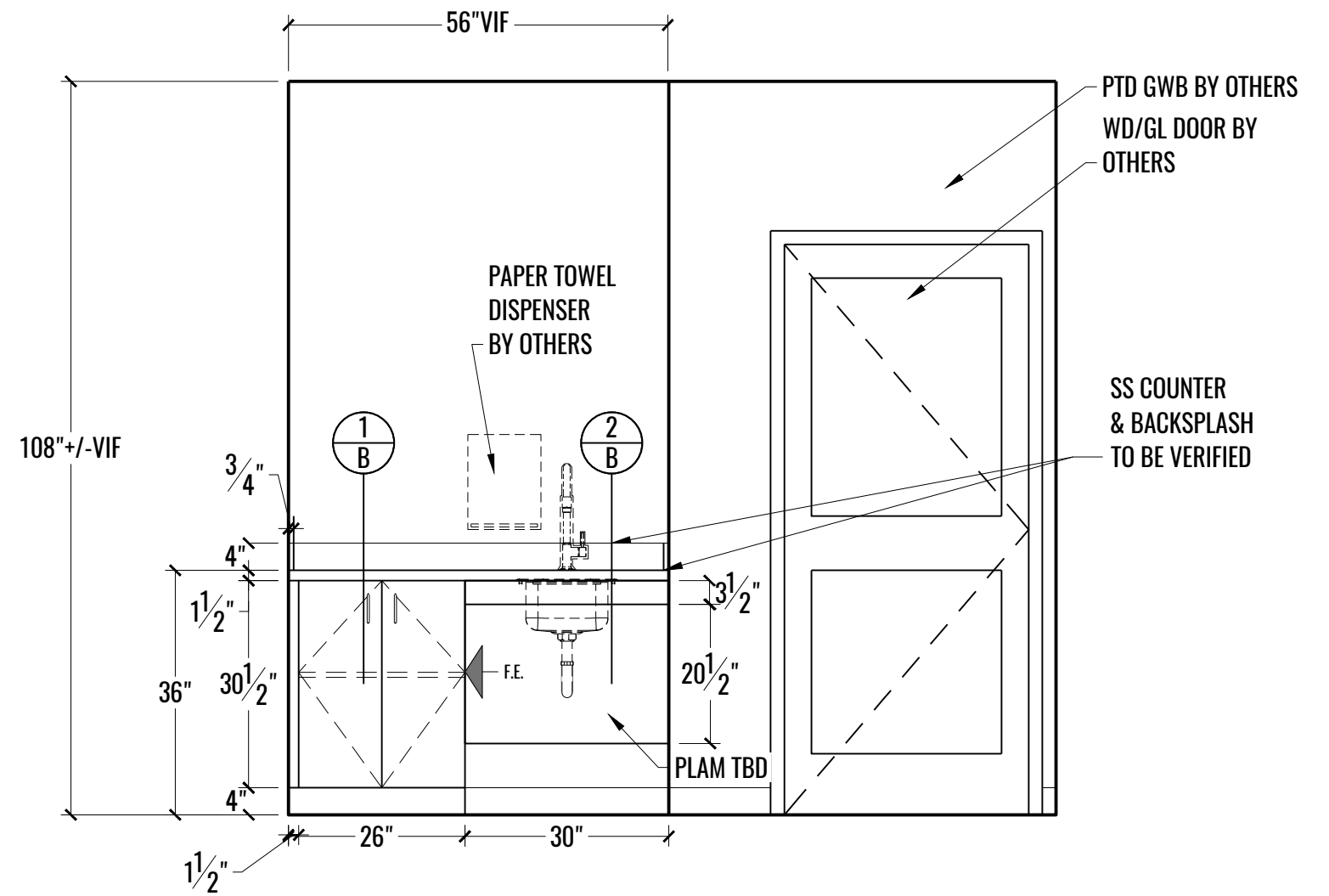
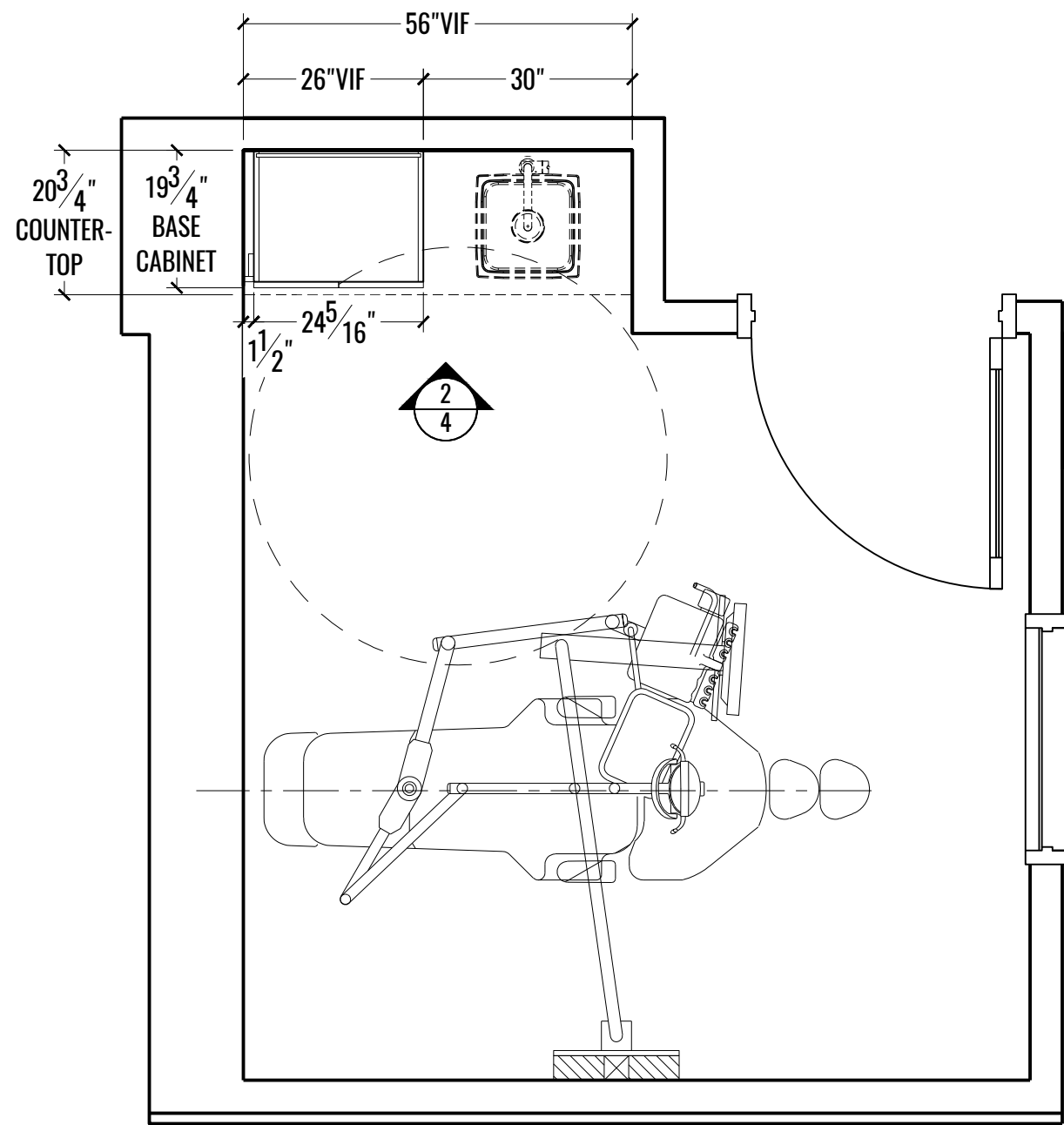
2 ELEVATION: TREATMENT A  
2 SCALE: 1/2" = 1'-0"



1 PLAN: TREATMENT B  
3 SCALE: 1/2" = 1'-0"

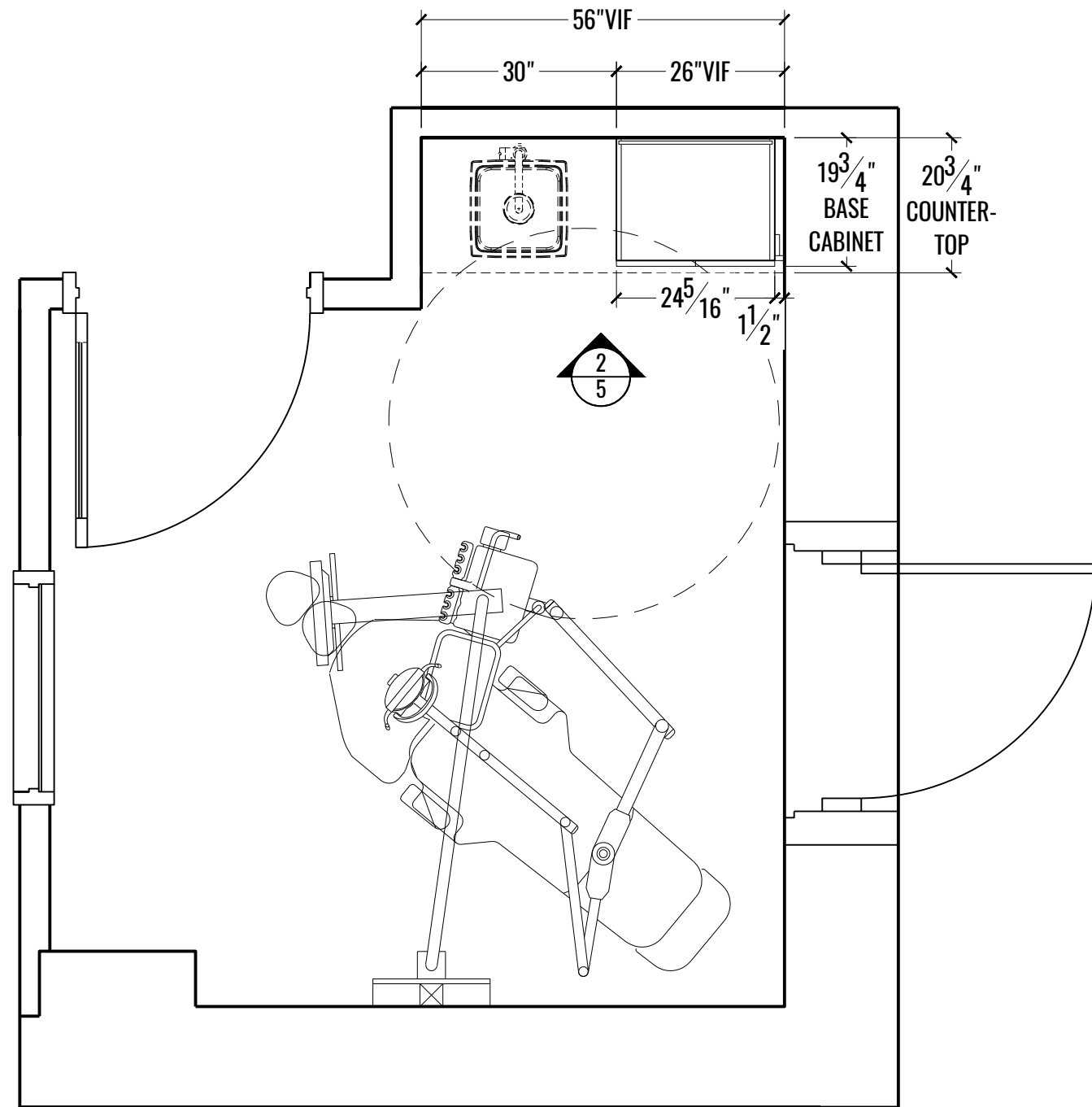


2 ELEVATION: TREATMENT B  
3 SCALE: 1/2" = 1'-0"

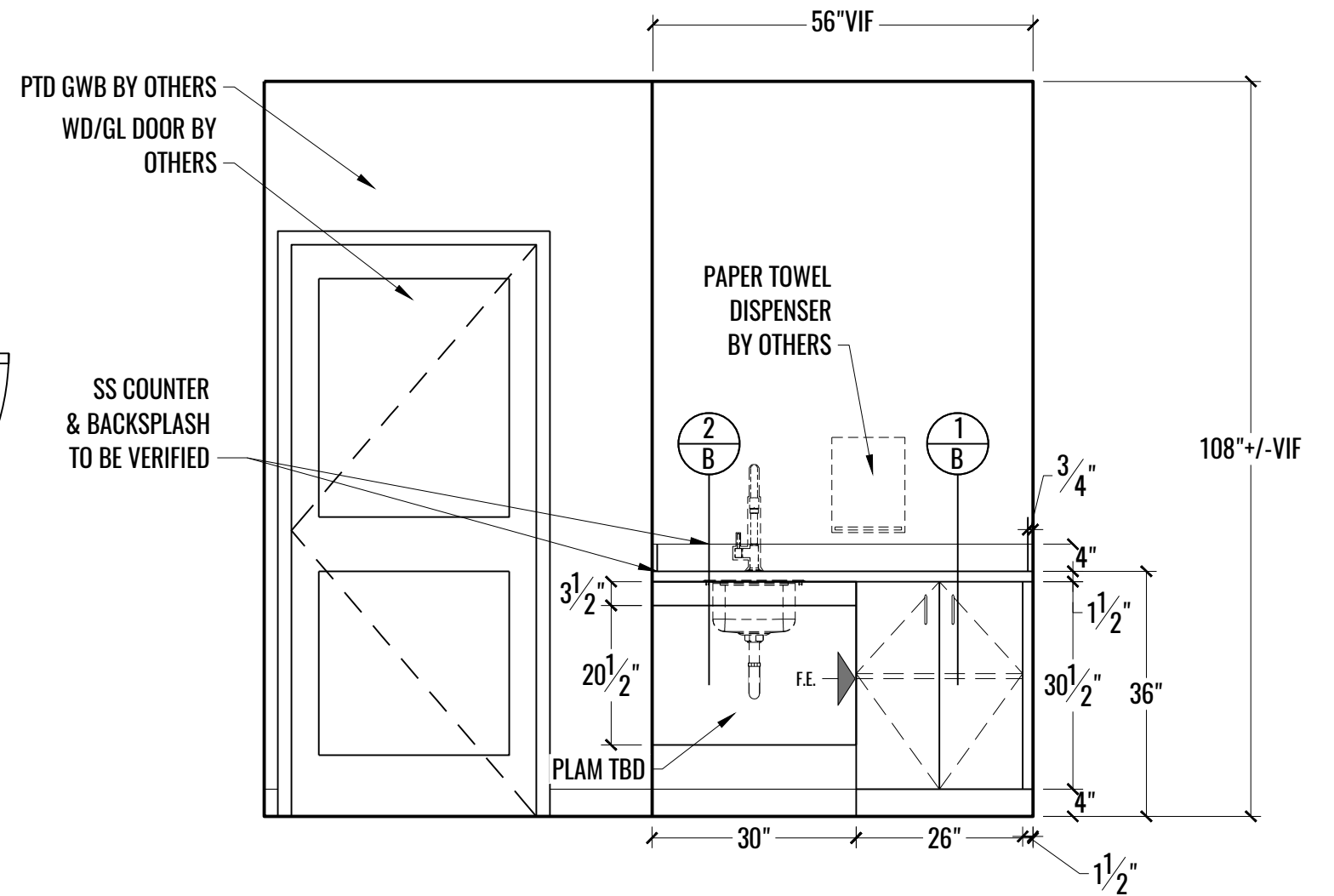


1 PLAN: TREATMENT C  
4 SCALE: 1/2" = 1'-0"

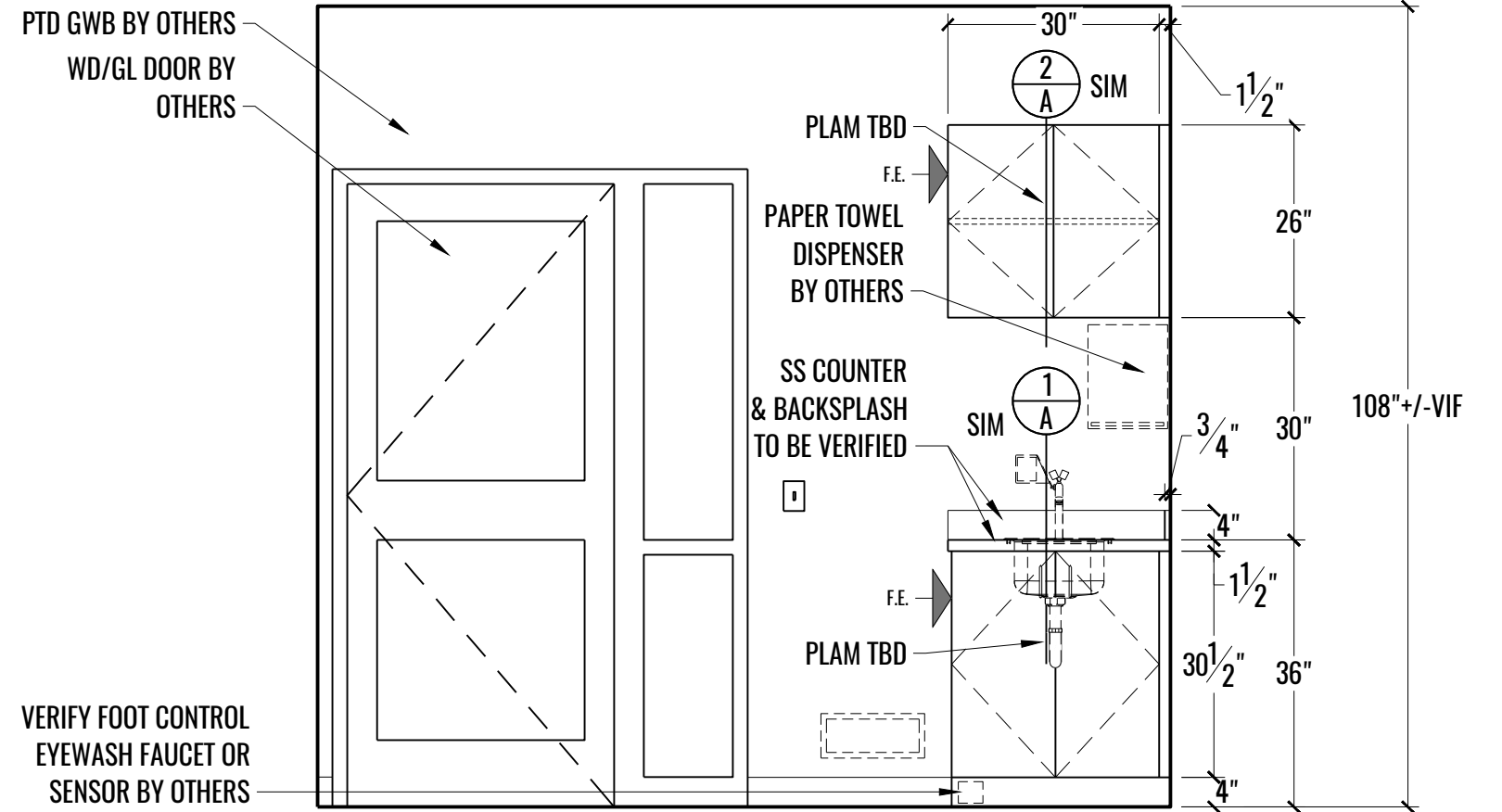
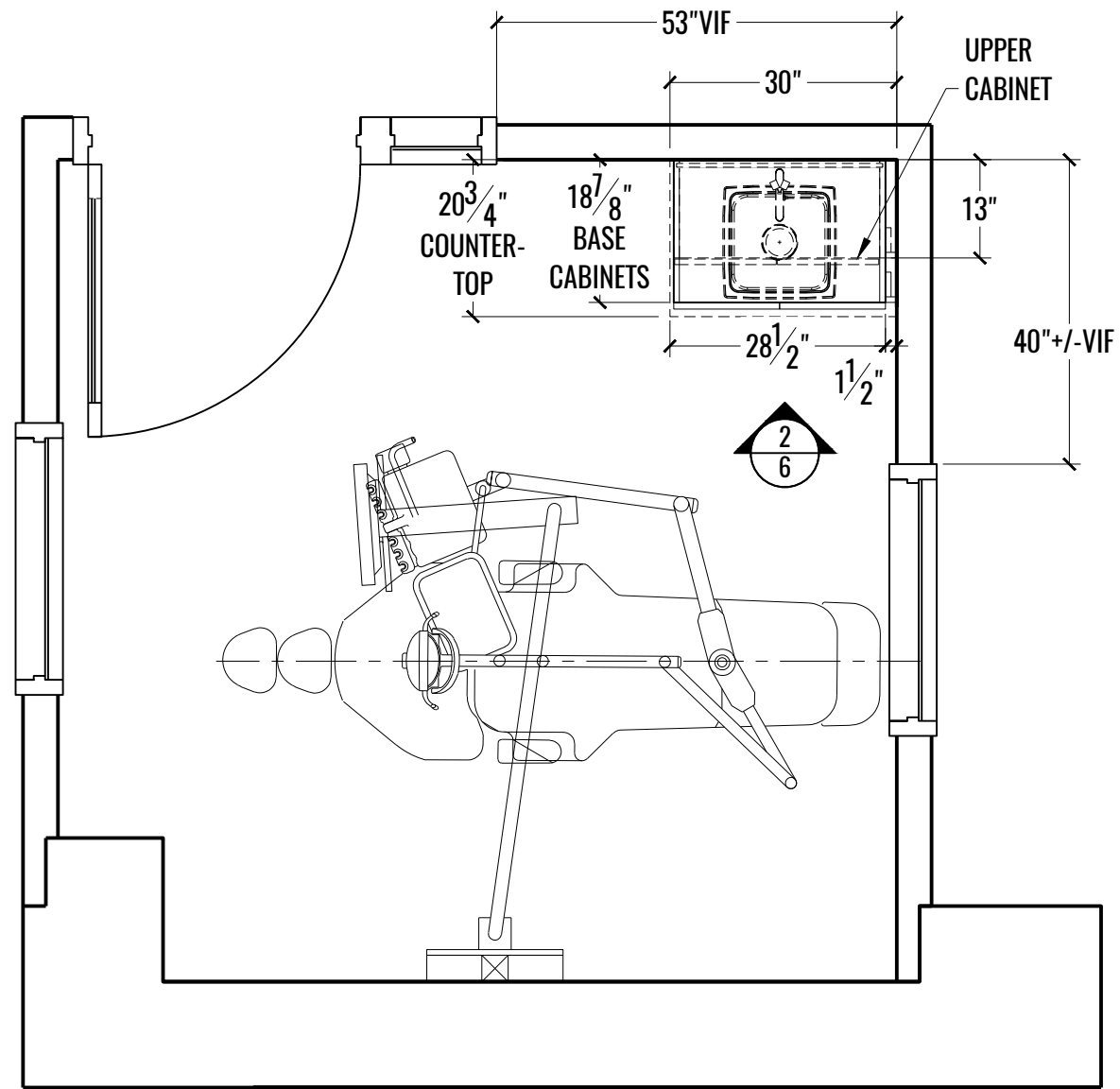
2 ELEVATION: TREATMENT C  
4 SCALE: 1/2" = 1'-0"



1 PLAN: TREATMENT D  
5 SCALE: 1/2" = 1'-0"

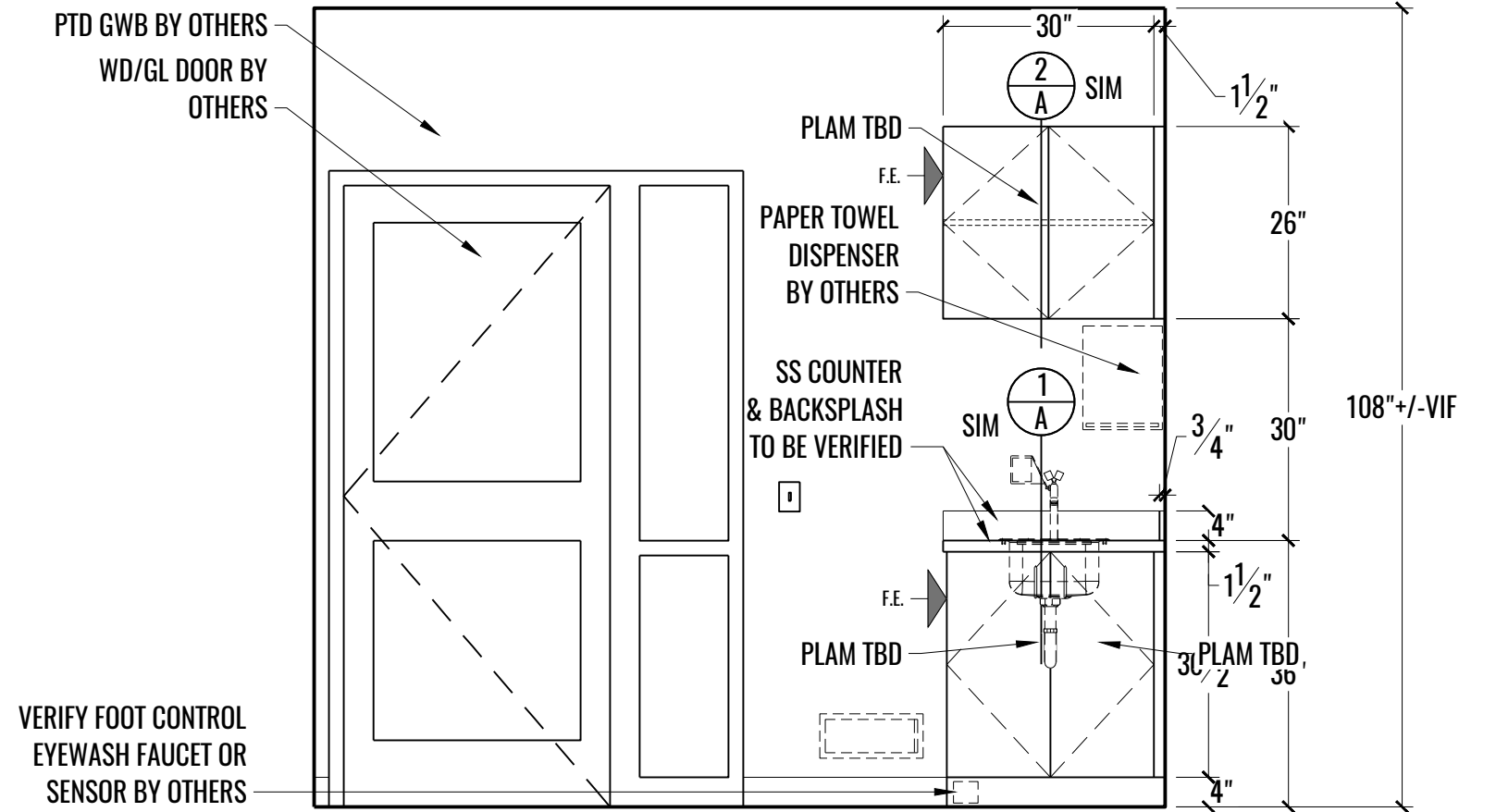
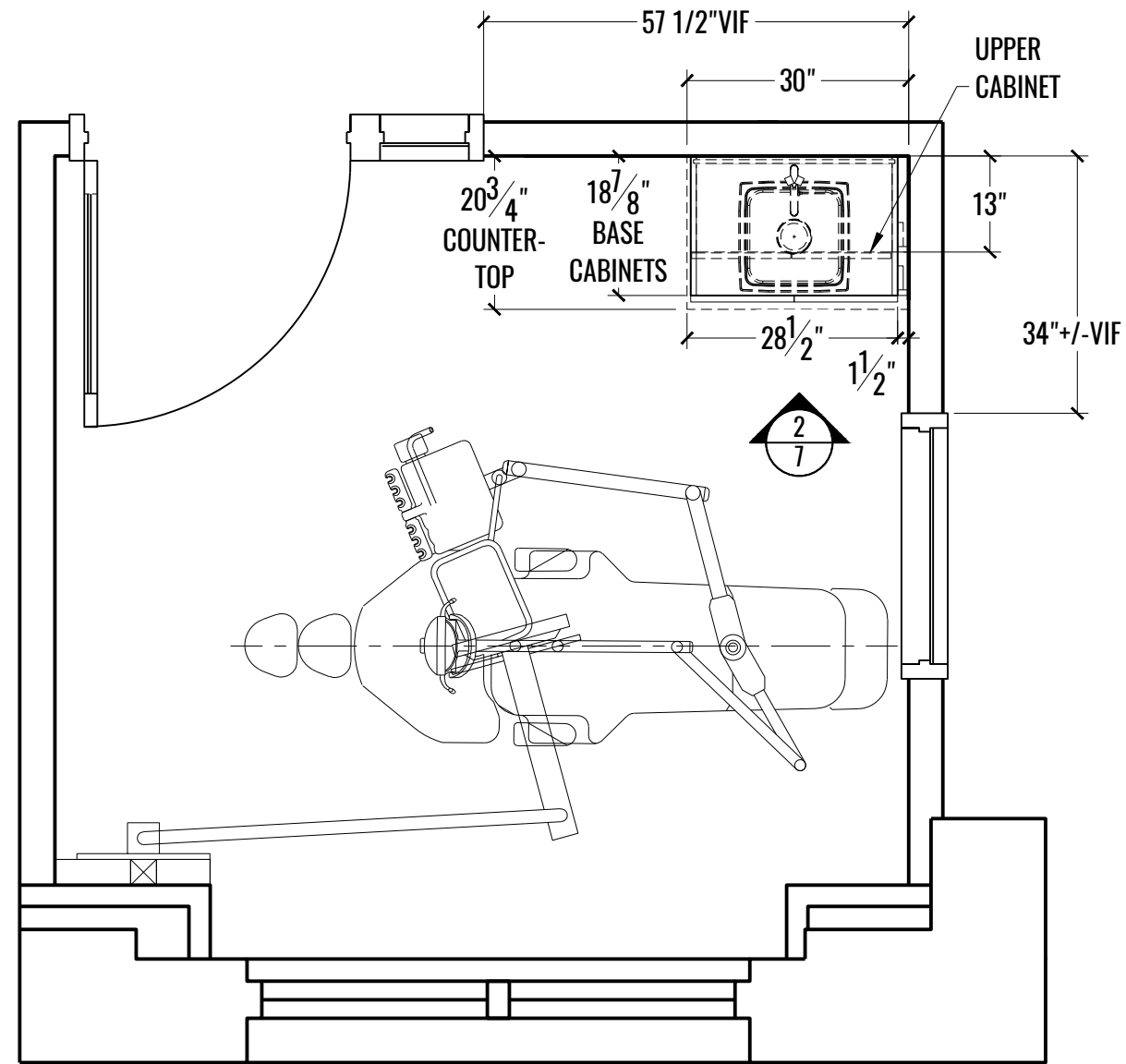


2 ELEVATION: TREATMENT D  
5 SCALE: 1/2" = 1'-0"



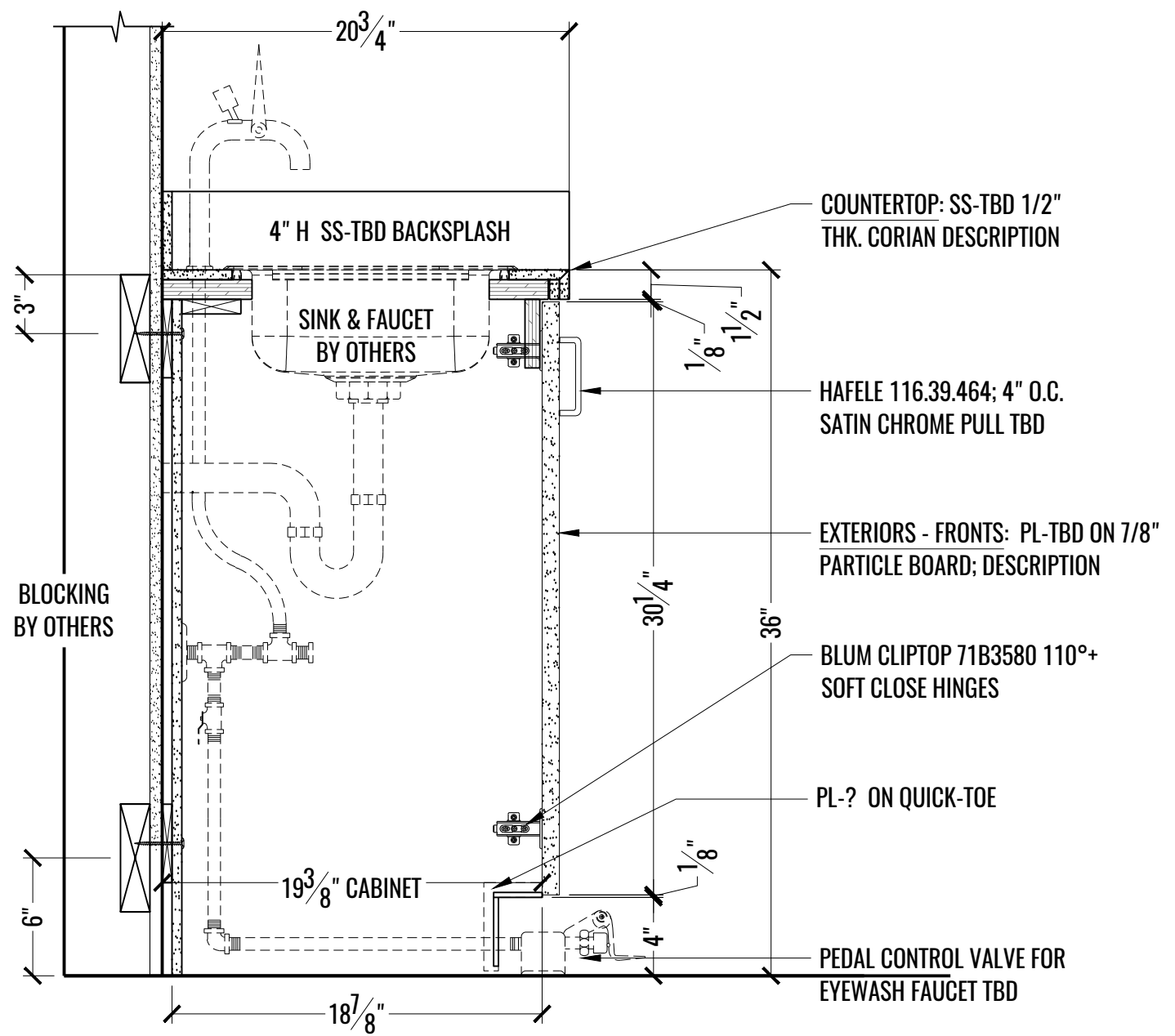
1 PLAN: TREATMENT E  
6 SCALE: 1/2" = 1'-0"

2 ELEVATION: TREATMENT E  
6 SCALE: 1/2" = 1'-0"

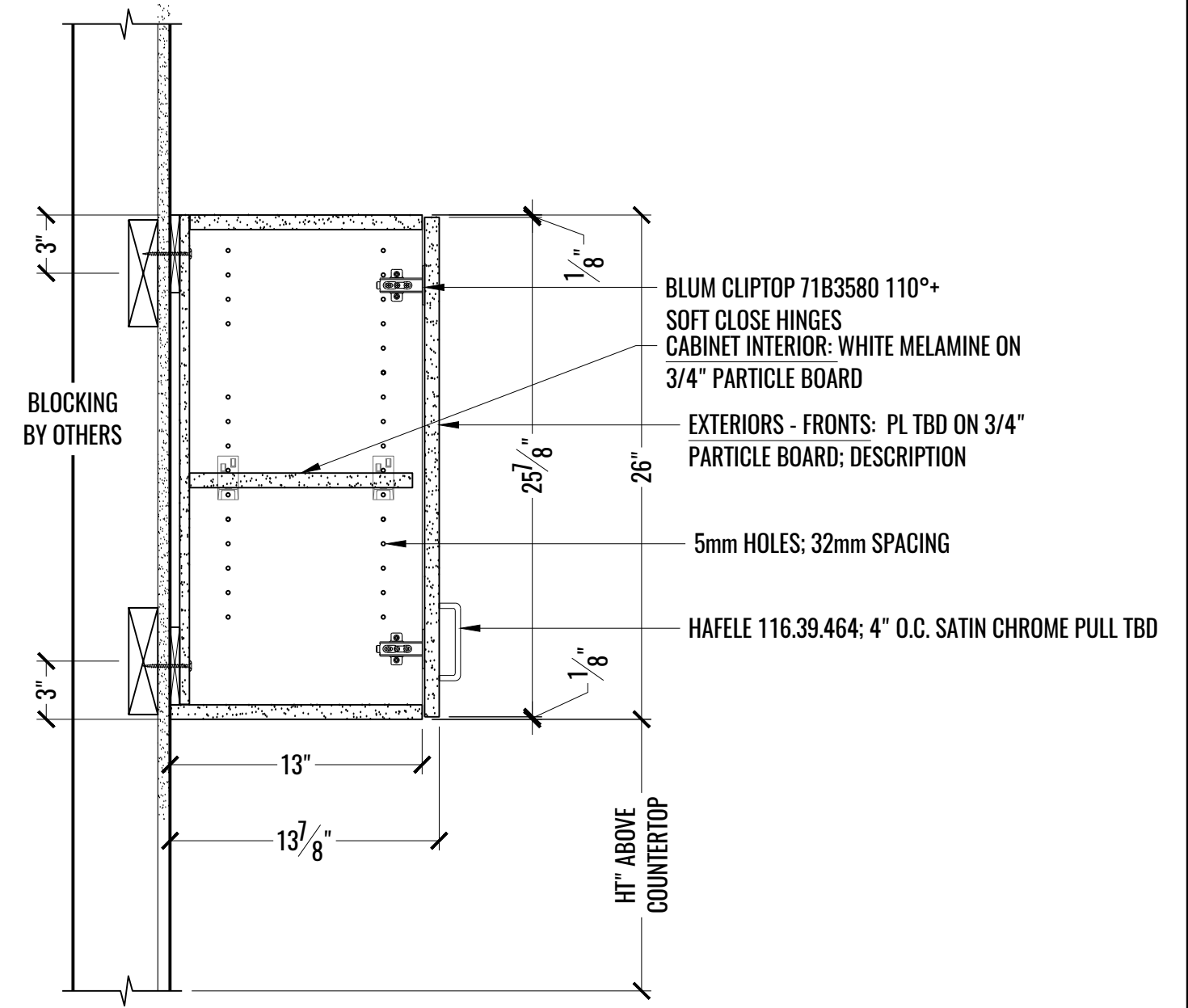


1 PLAN: TREATMENT F  
7 SCALE: 1/2" = 1'-0"

2 ELEVATION: TREATMENT F  
7 SCALE: 1/2" = 1'-0"

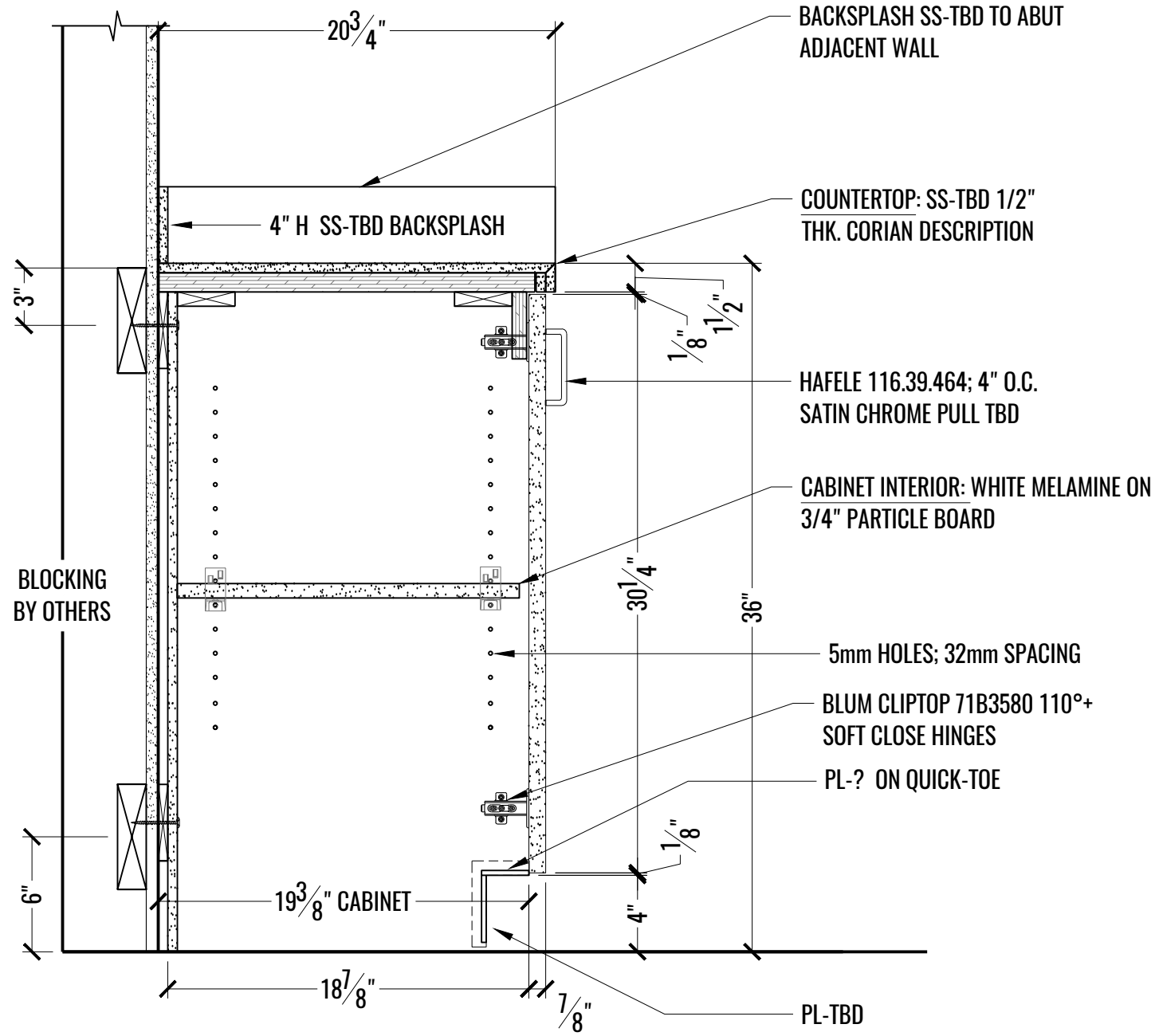


1 SECTION: ~~DESCRIPTION~~ CABINET W/SINK  
 A SCALE: 1-1/2" = 1'-0"

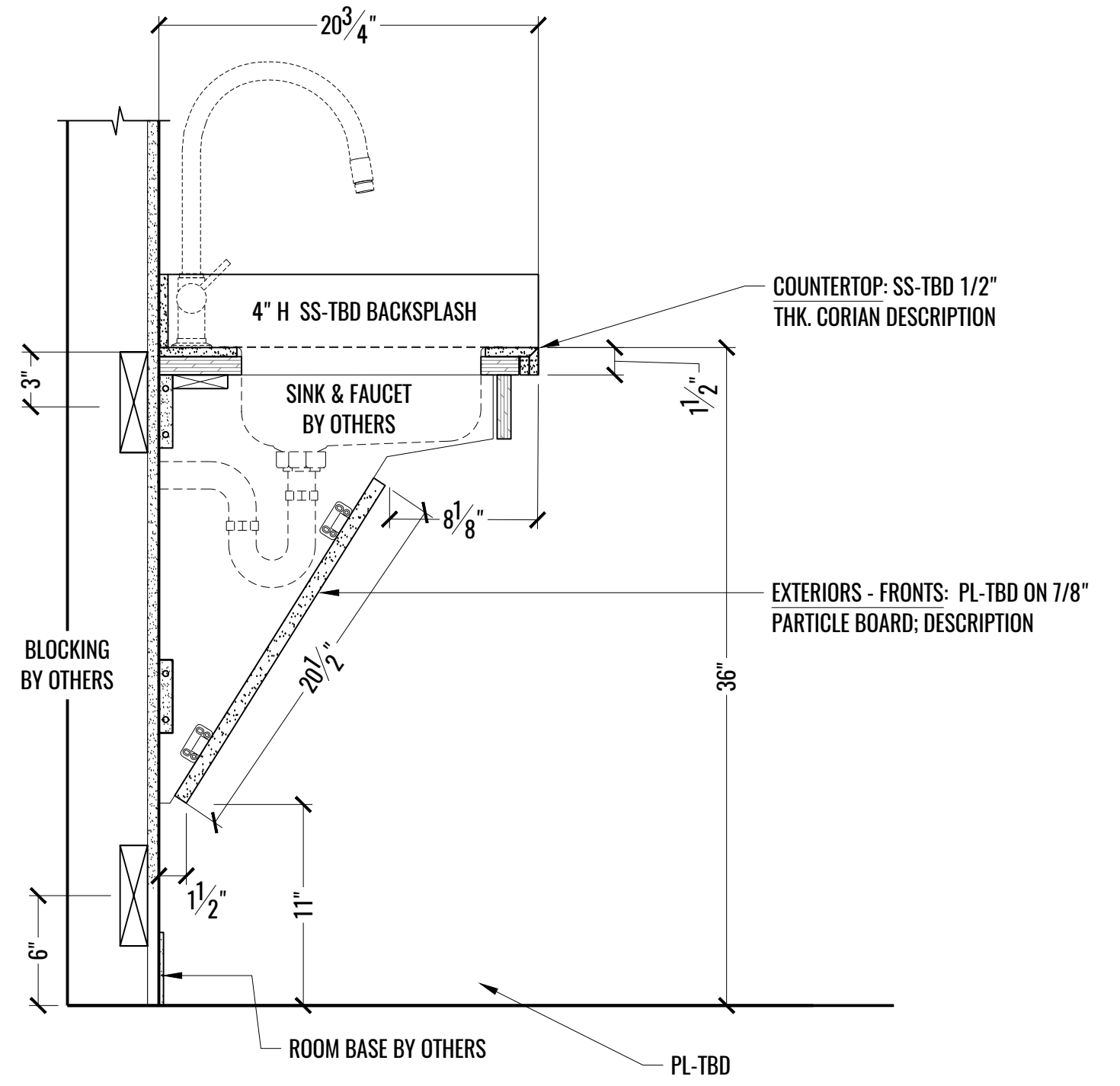


2 SECTION: ~~DESCRIPTION~~ CABINET  
 A SCALE: 1-1/2" = 1'-0"





1 SECTION: ~~BASIC CABINET~~  
B SCALE: 1-1/2" = 1'-0"



2 SECTION: ~~SINK/FIXED PANEL~~  
B SCALE: 1-1/2" = 1'-0"