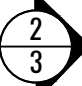
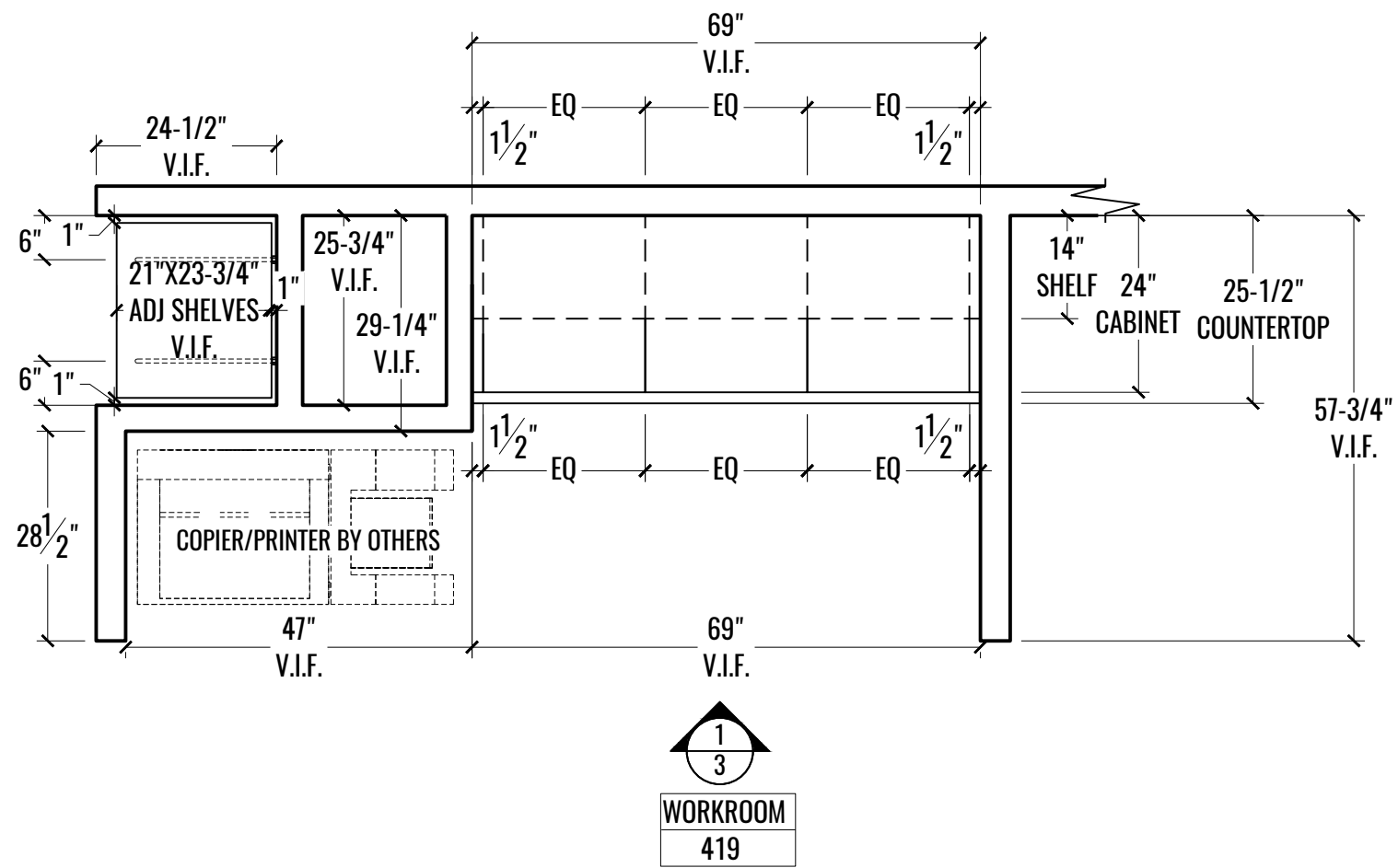



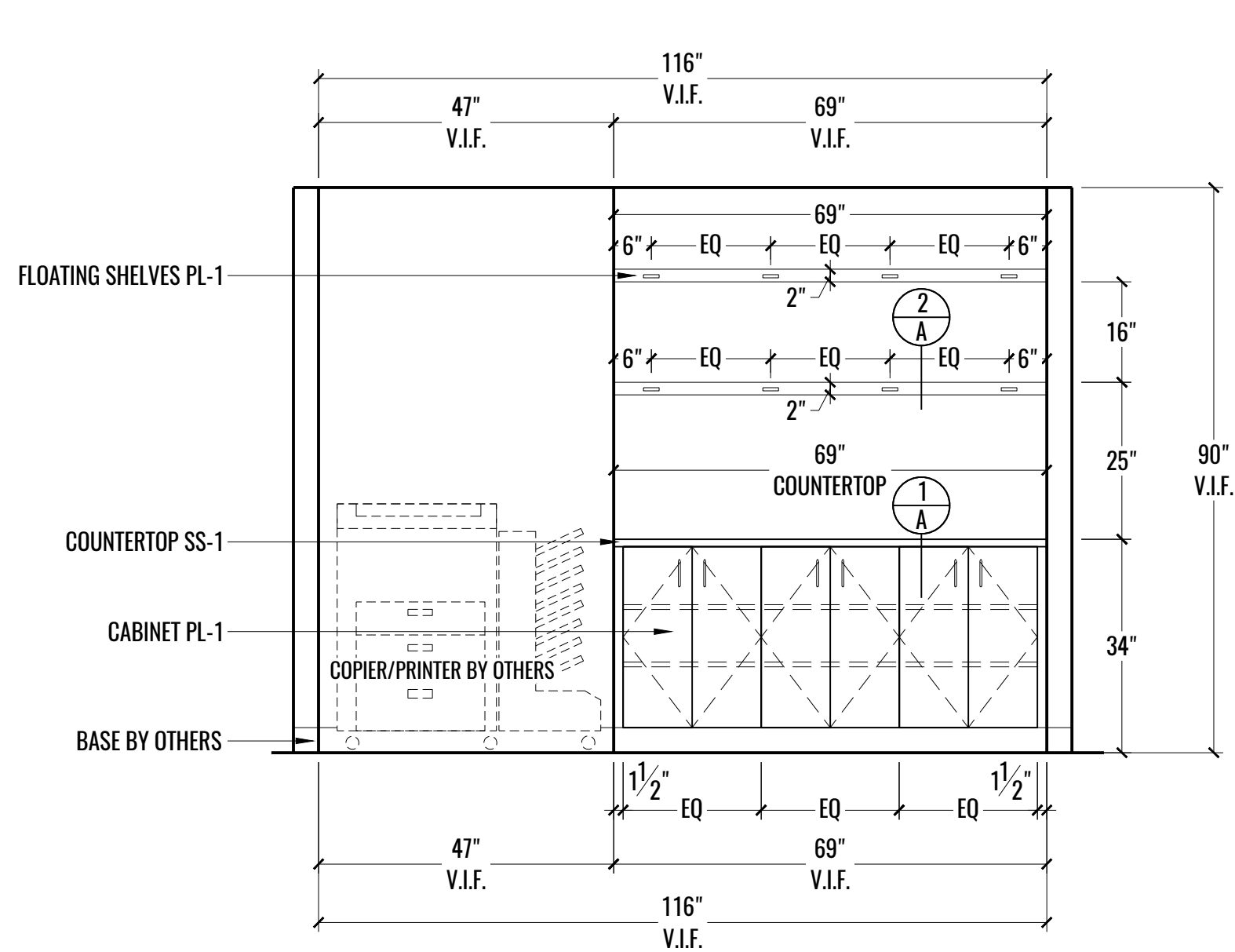
1 PLAN: PROJECT SCOPE - 4TH FLOOR  
 1 SCALE: NOT TO SCALE

  
 WORKROOM  
 419

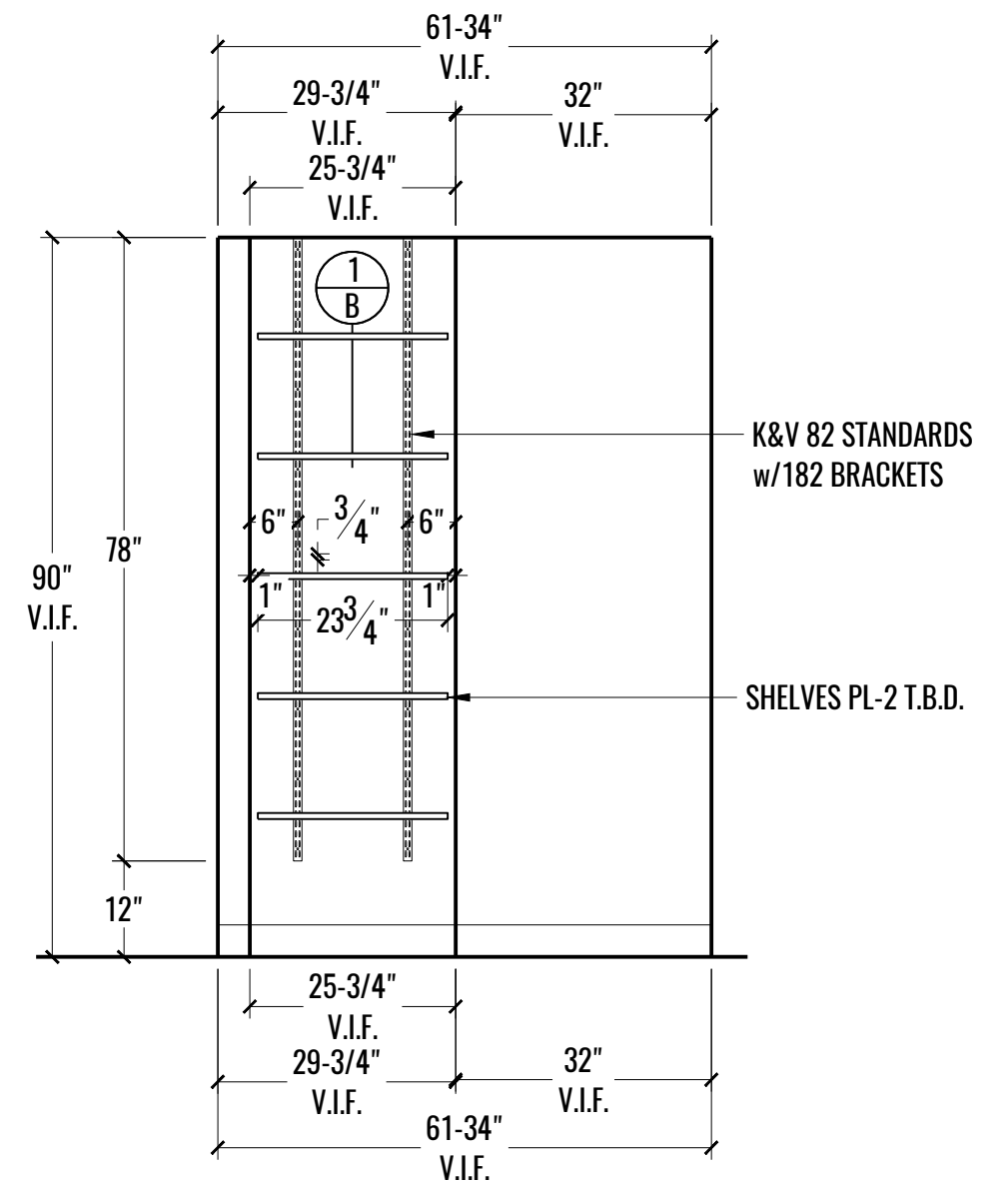


  
 WORKROOM  
 419

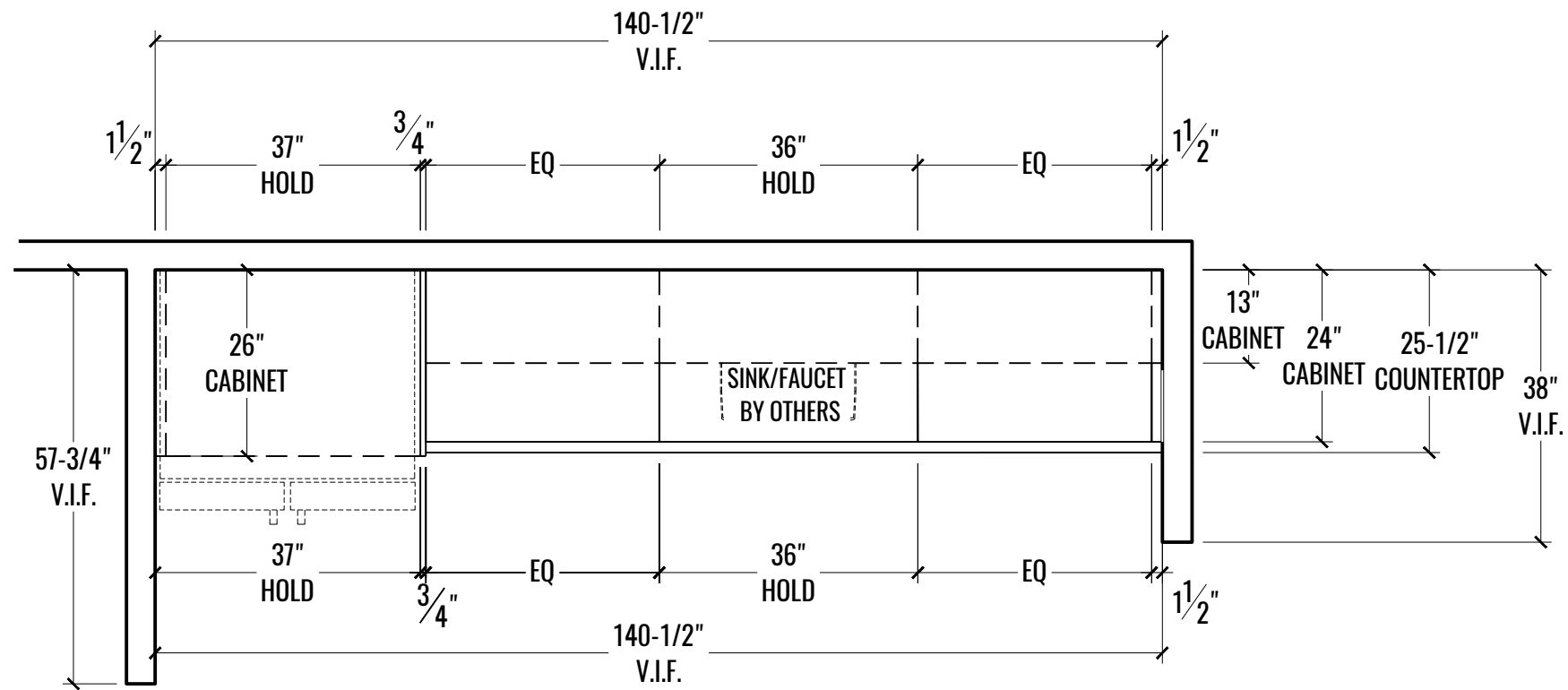
1 PLAN: WORKROOM - 419  
 2 SCALE: 1/2" = 1'-0"



1 ELEVATION: WORKROOM - 419  
3 SCALE: 1/2" = 1'-0"

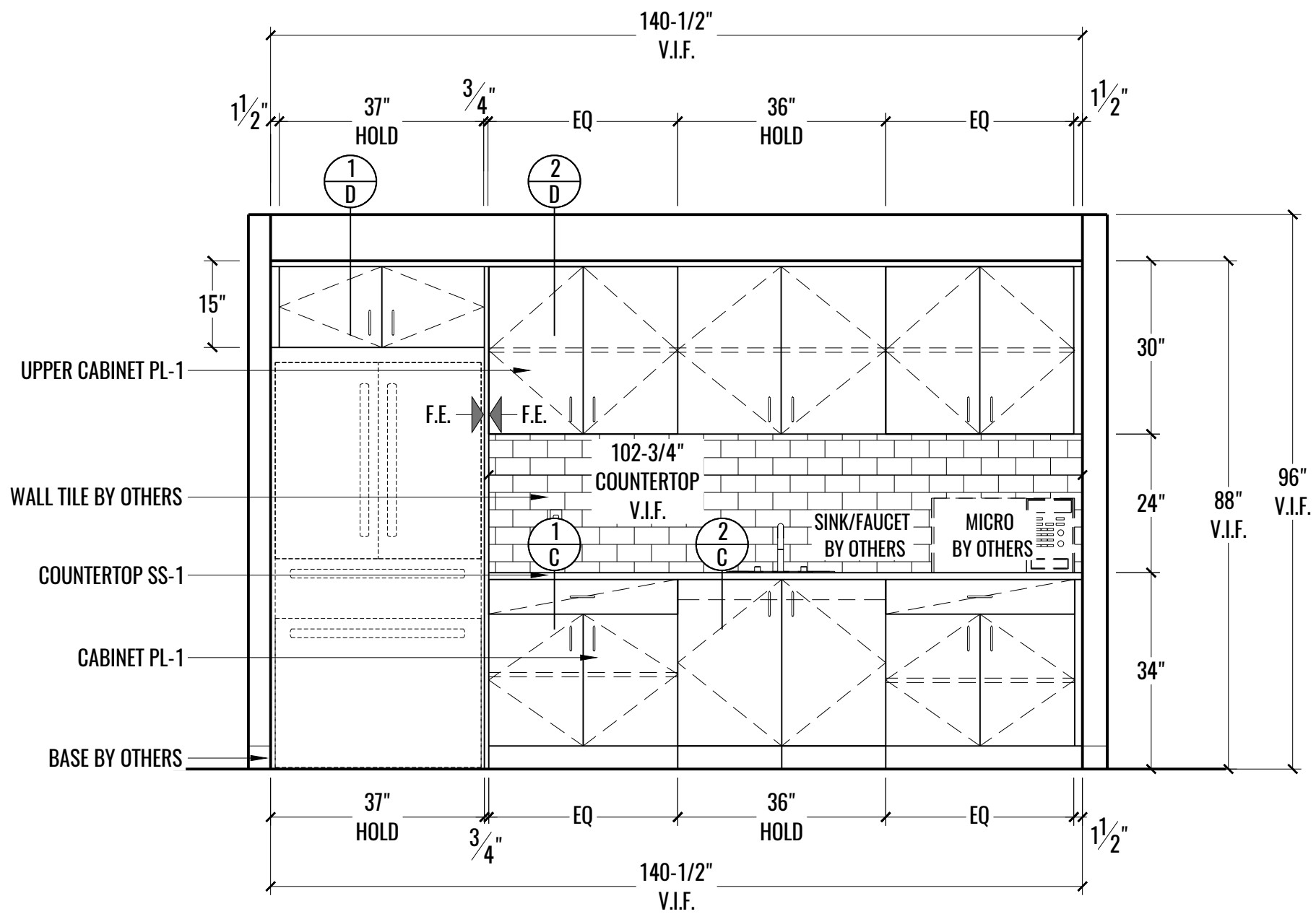


2 ELEVATION: WORKROOM - 419 (ALCOVE)  
3 SCALE: 1/2" = 1'-0"

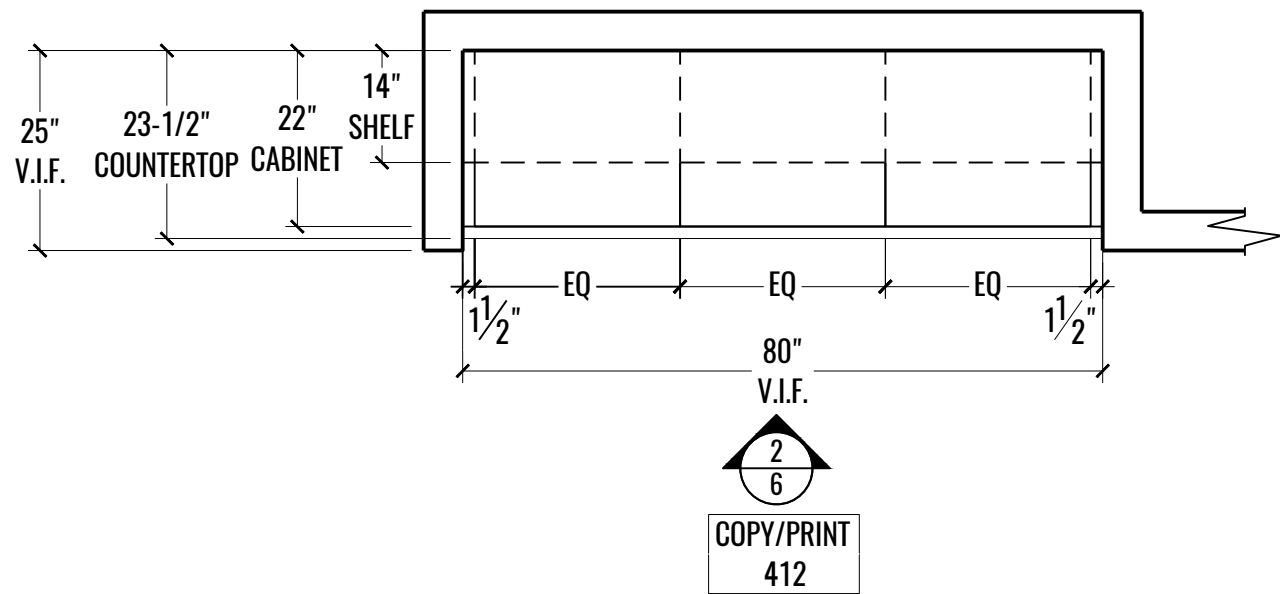


1  
5  
PANTRY  
418

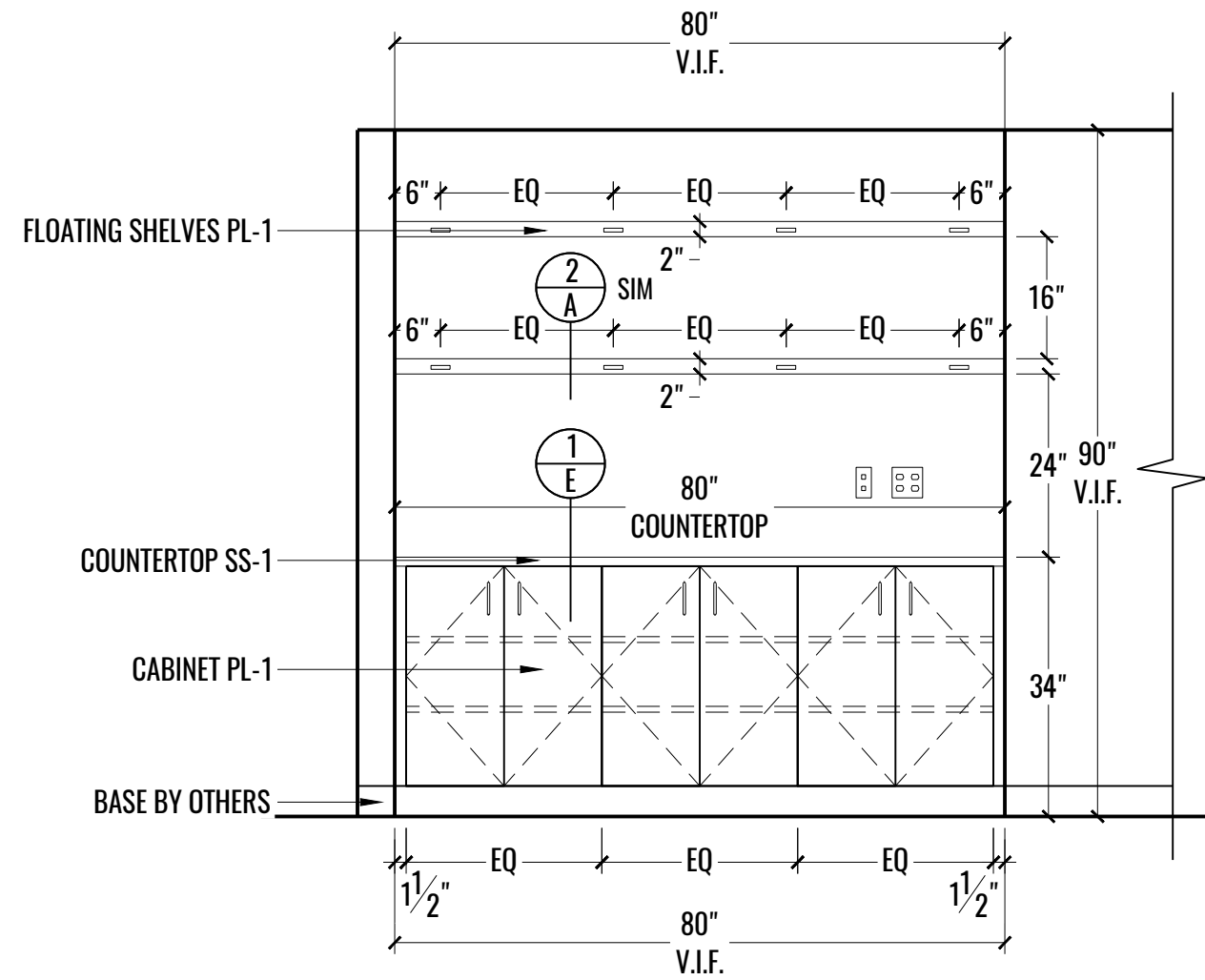
1 PLAN: PANTRY - 418  
4 SCALE: 1/2" = 1'-0"



1 ELEVATION: PANTRY - 418  
 5 SCALE: 1/2" = 1'-0"



1 PLAN: COPY/PRINT - 412  
6 SCALE: 1/2" = 1'-0"

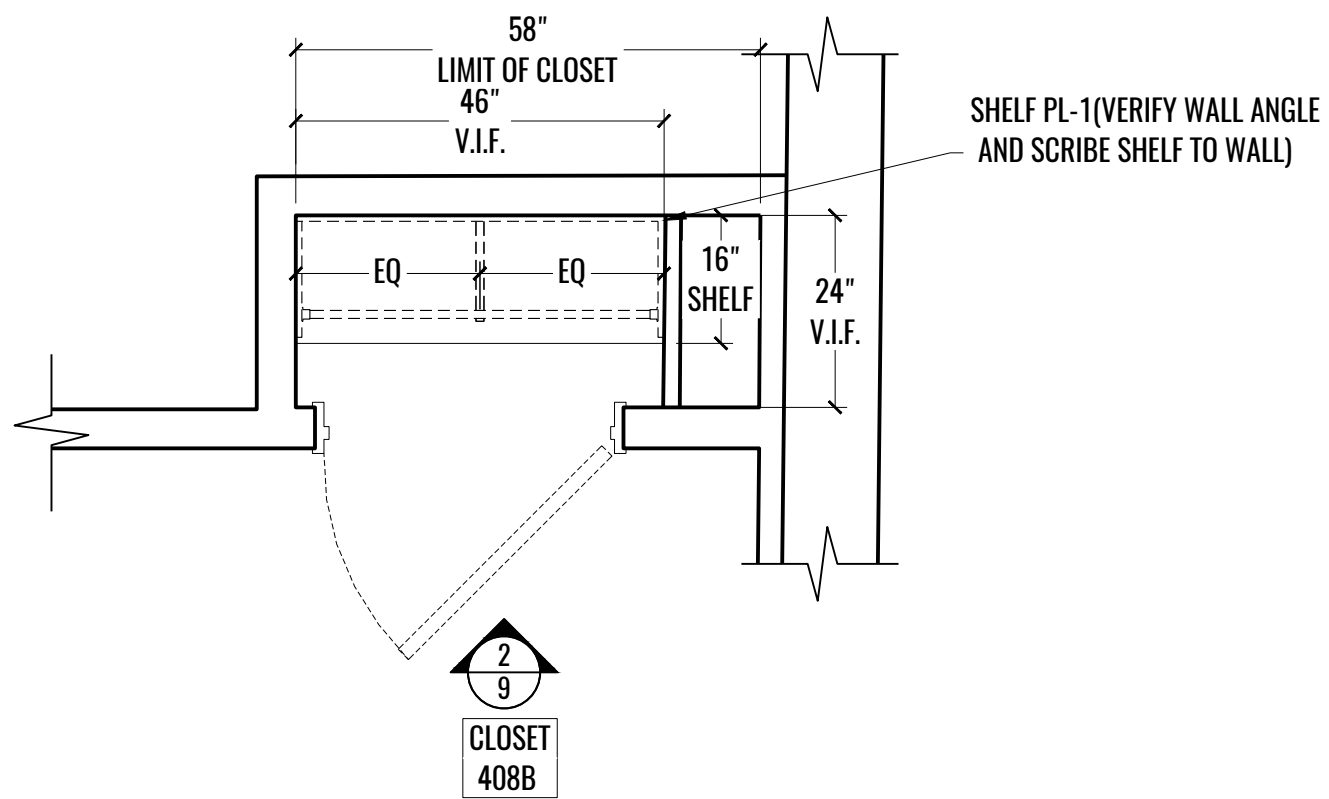


2 ELEVATION: COPY/PRINT - 412  
6 SCALE: 1/2" = 1'-0"

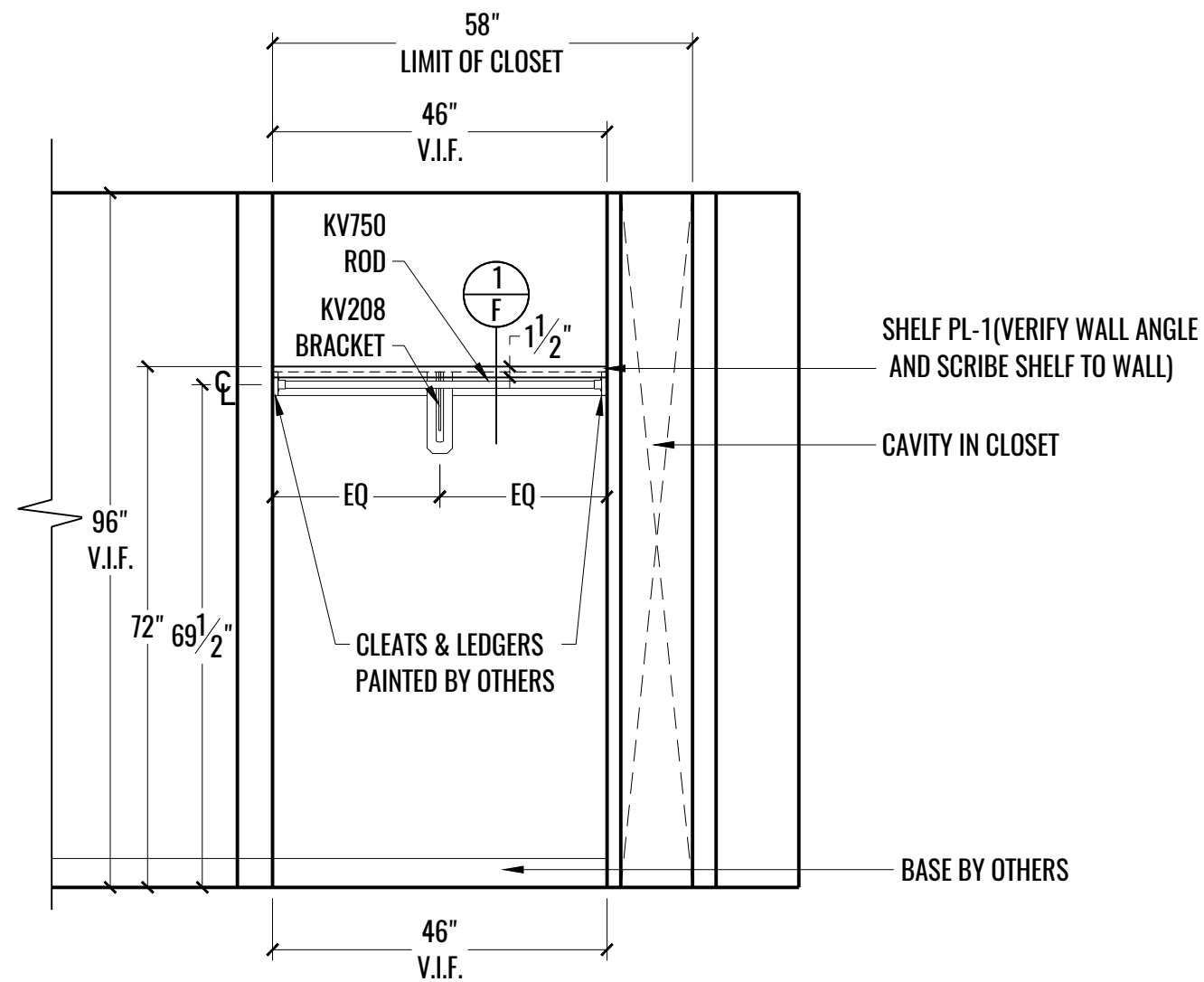




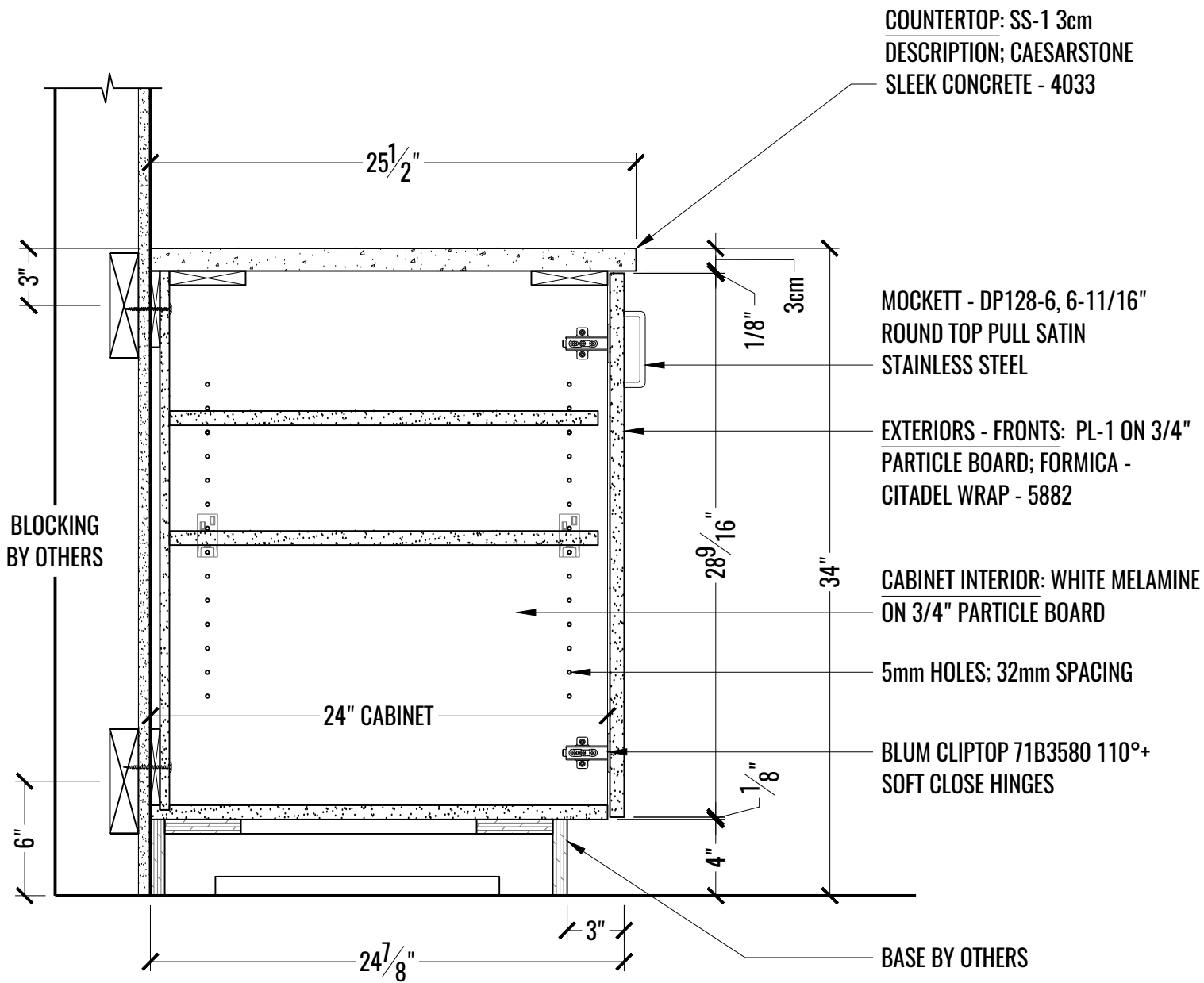




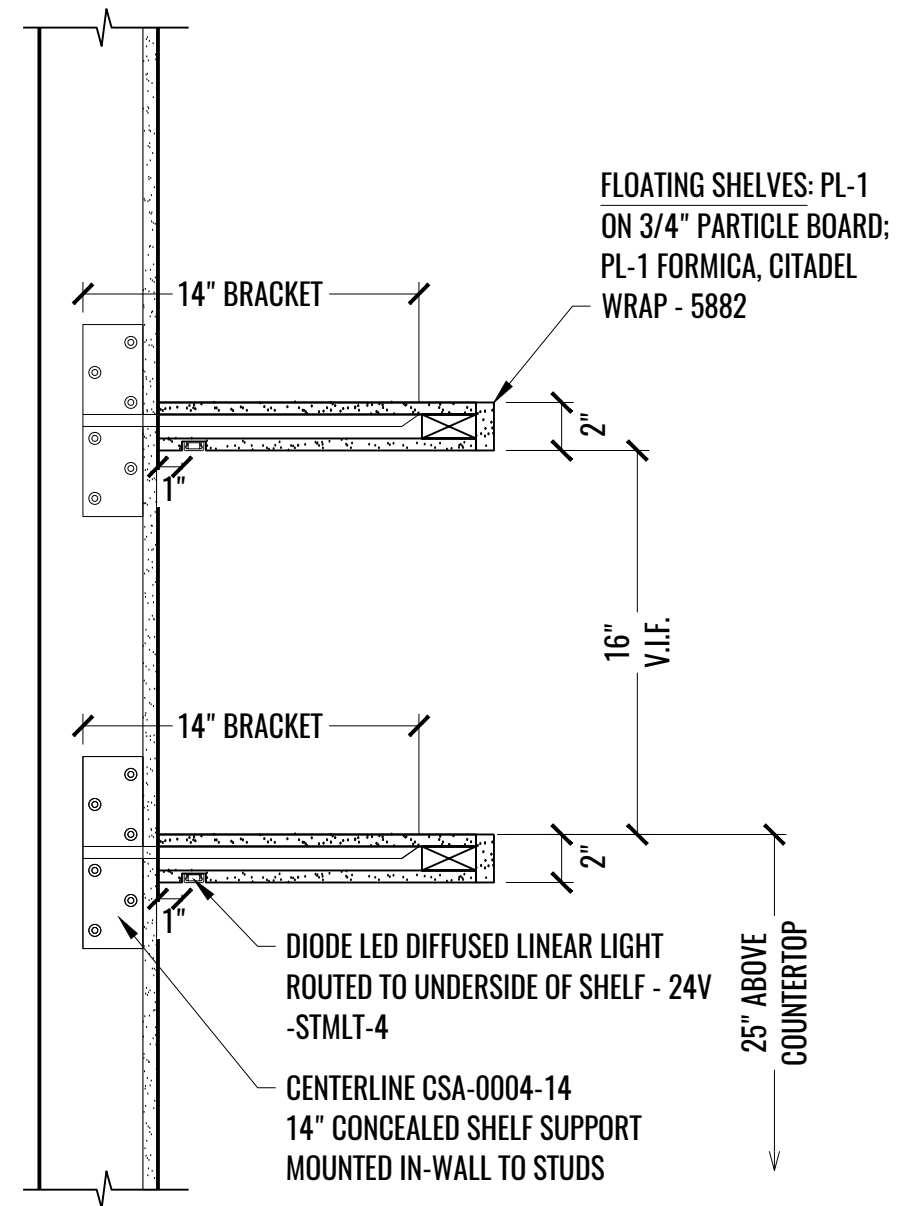
1 PLAN: CLOSET - 408B  
9 SCALE: 1/2" = 1'-0"



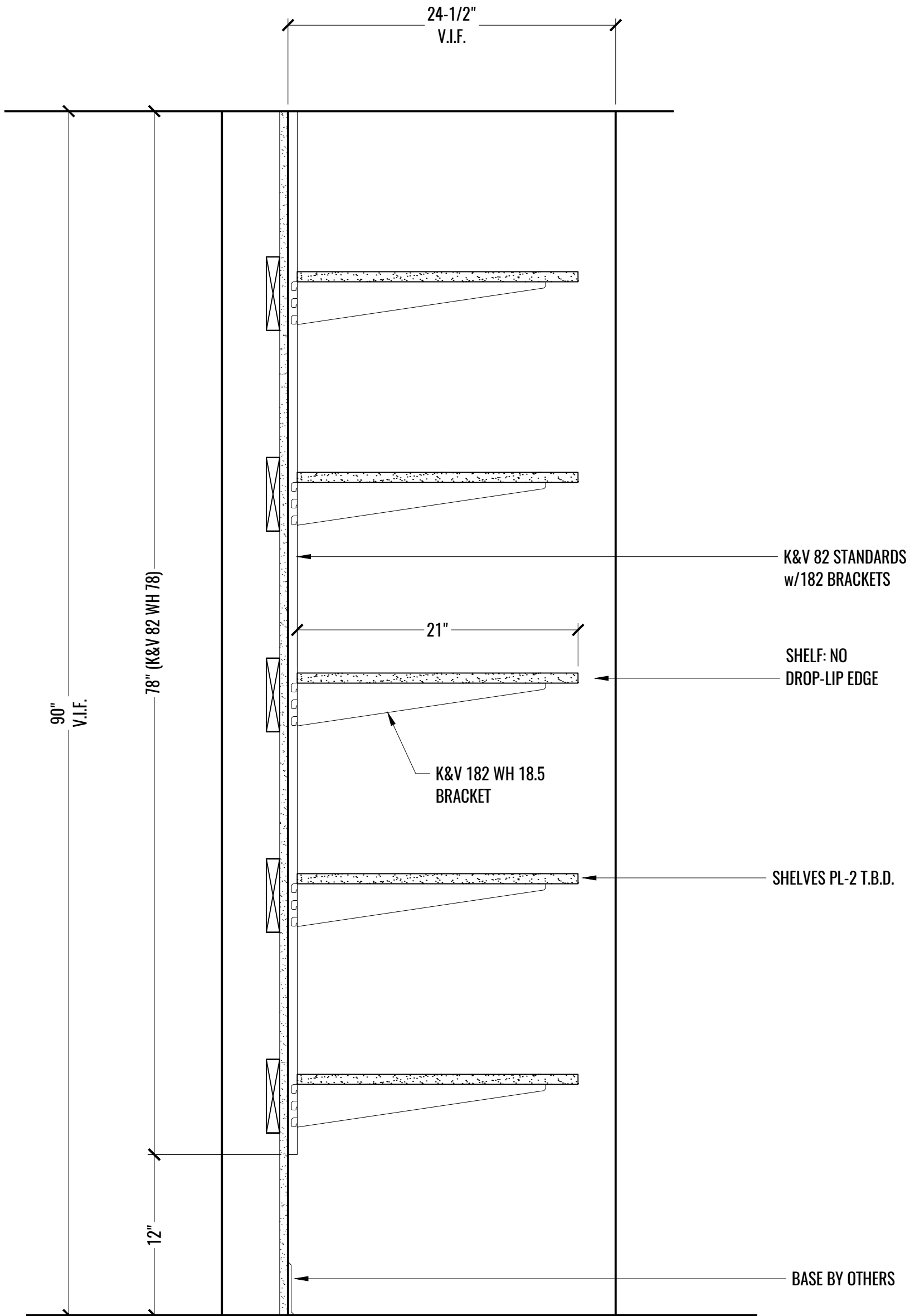
2 ELEVATION: CLOSET - 408B  
9 SCALE: 1/2" = 1'-0"



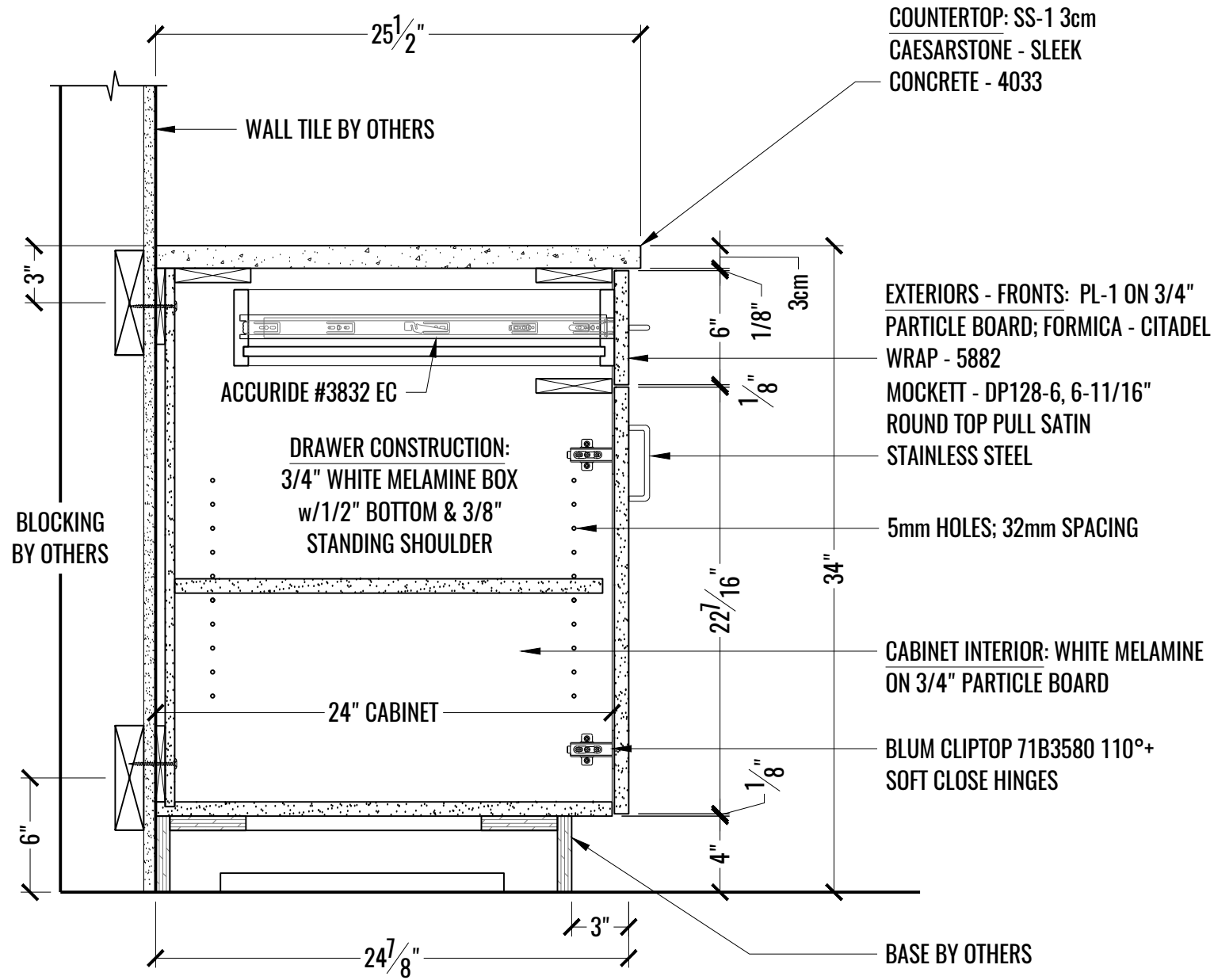
1 SECTION: BASE CABINET WORKROOM - 419  
A SCALE: 1-1/2" = 1'-0"



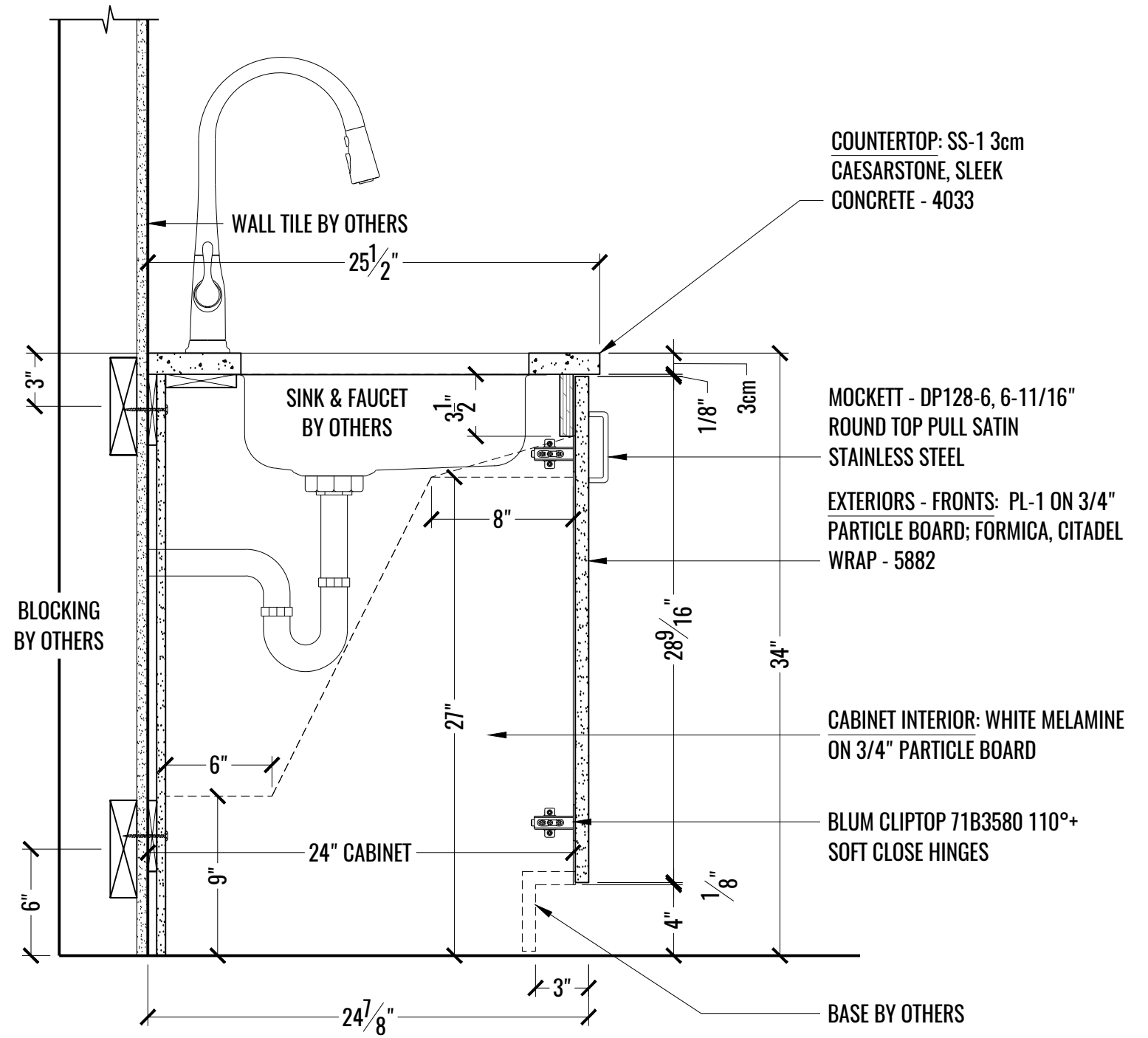
2 SECTION: FLOATING SHELF WORKROOM - 419  
A SCALE: 1-1/2" = 1'-0"



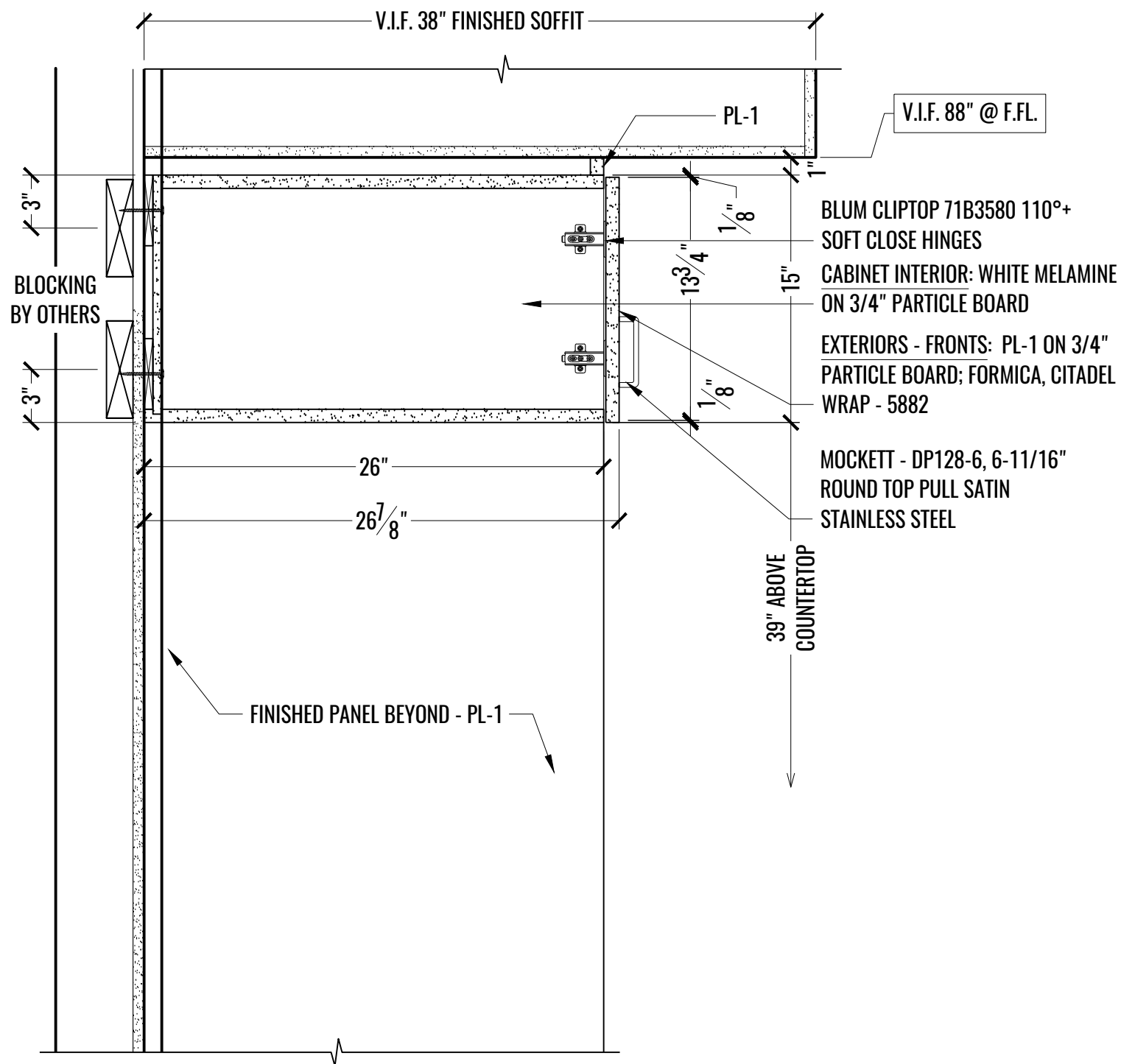
1 SECTION: ADJ SHELVES @ WORKROOM - 419 (ALCOVE)  
 B SCALE: 1-1/2" = 1'-0"



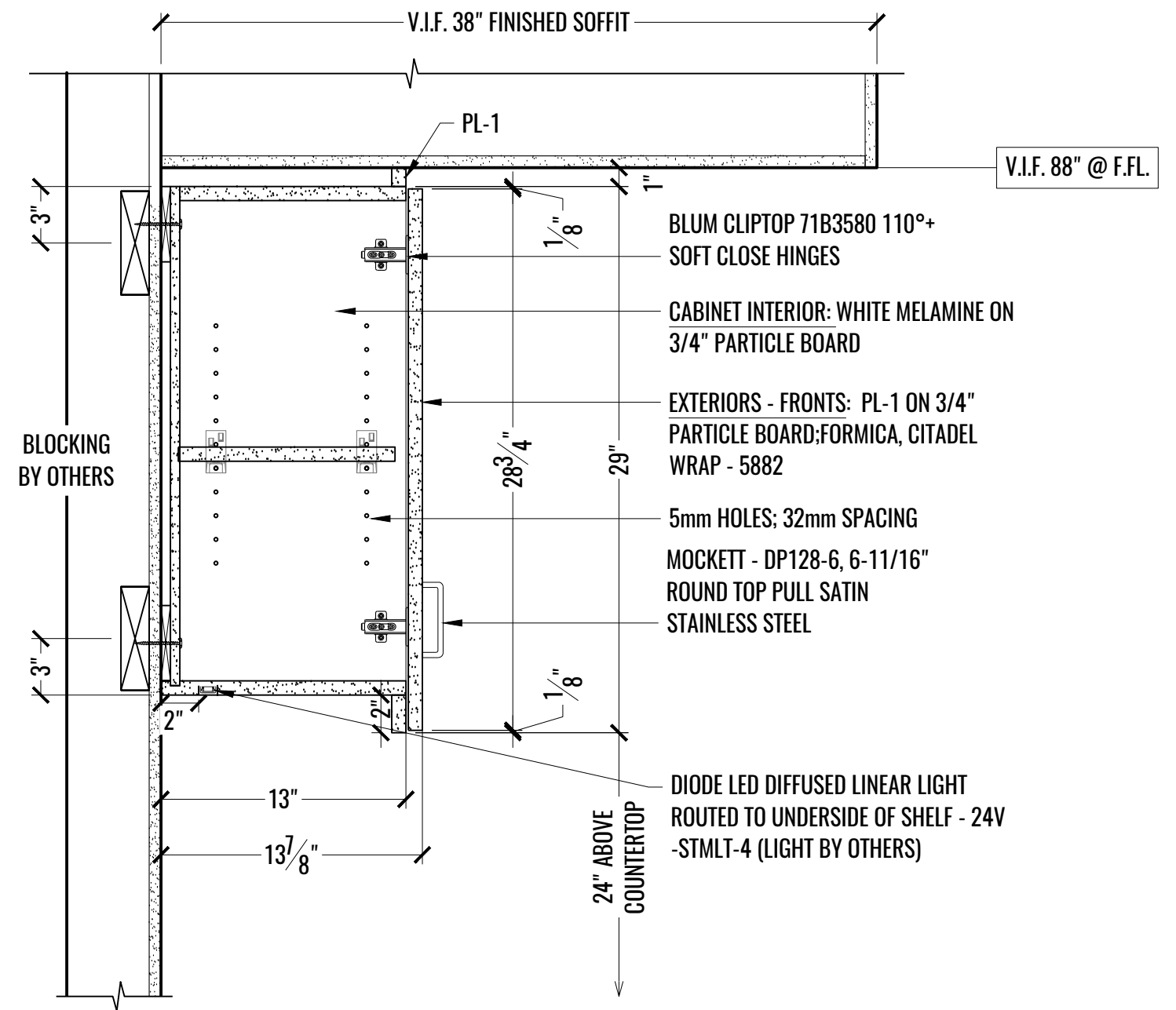
1 SECTION: BASE CABINETS - PANTRY - 418  
C SCALE: 1-1/2" = 1'-0"



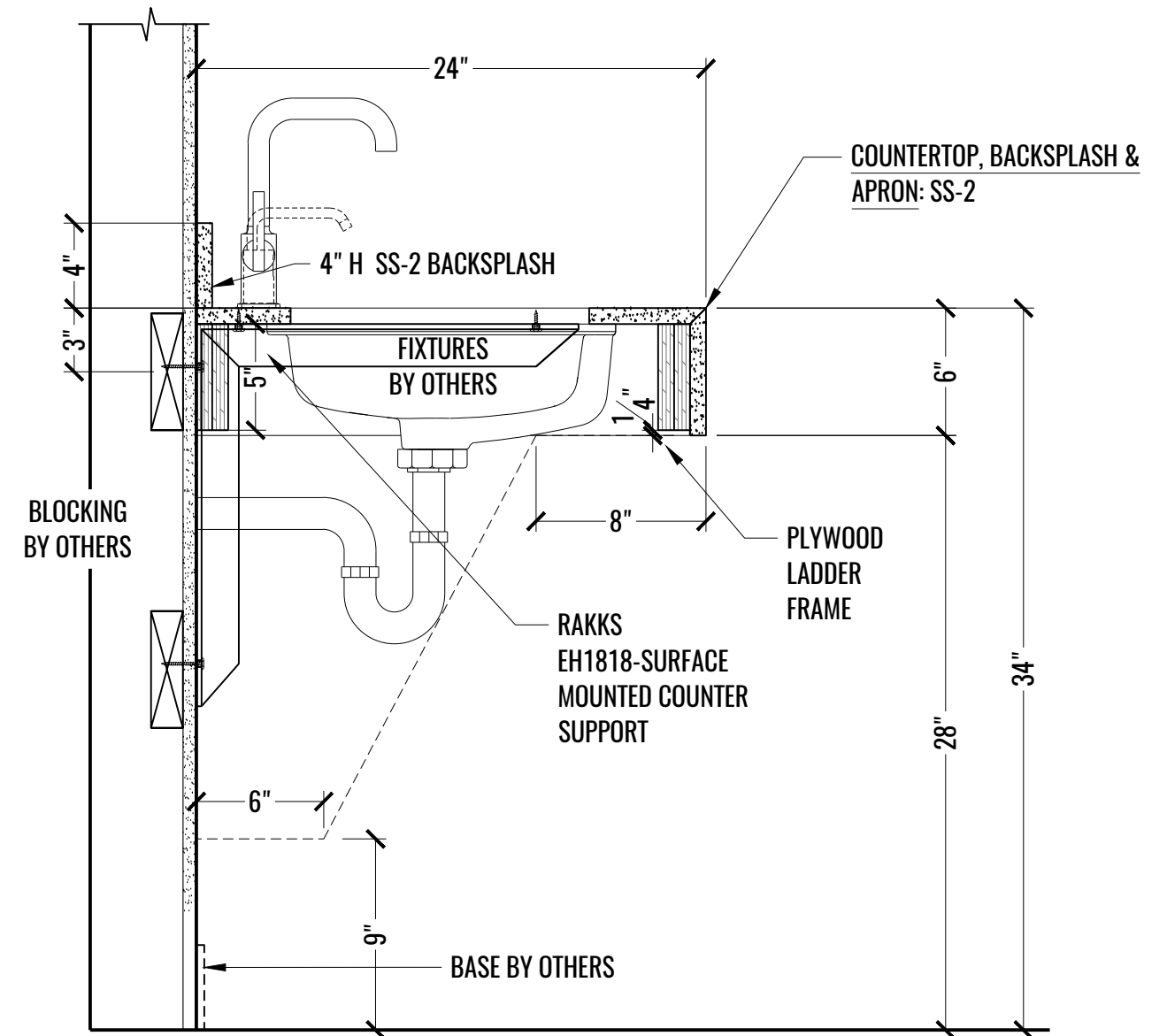
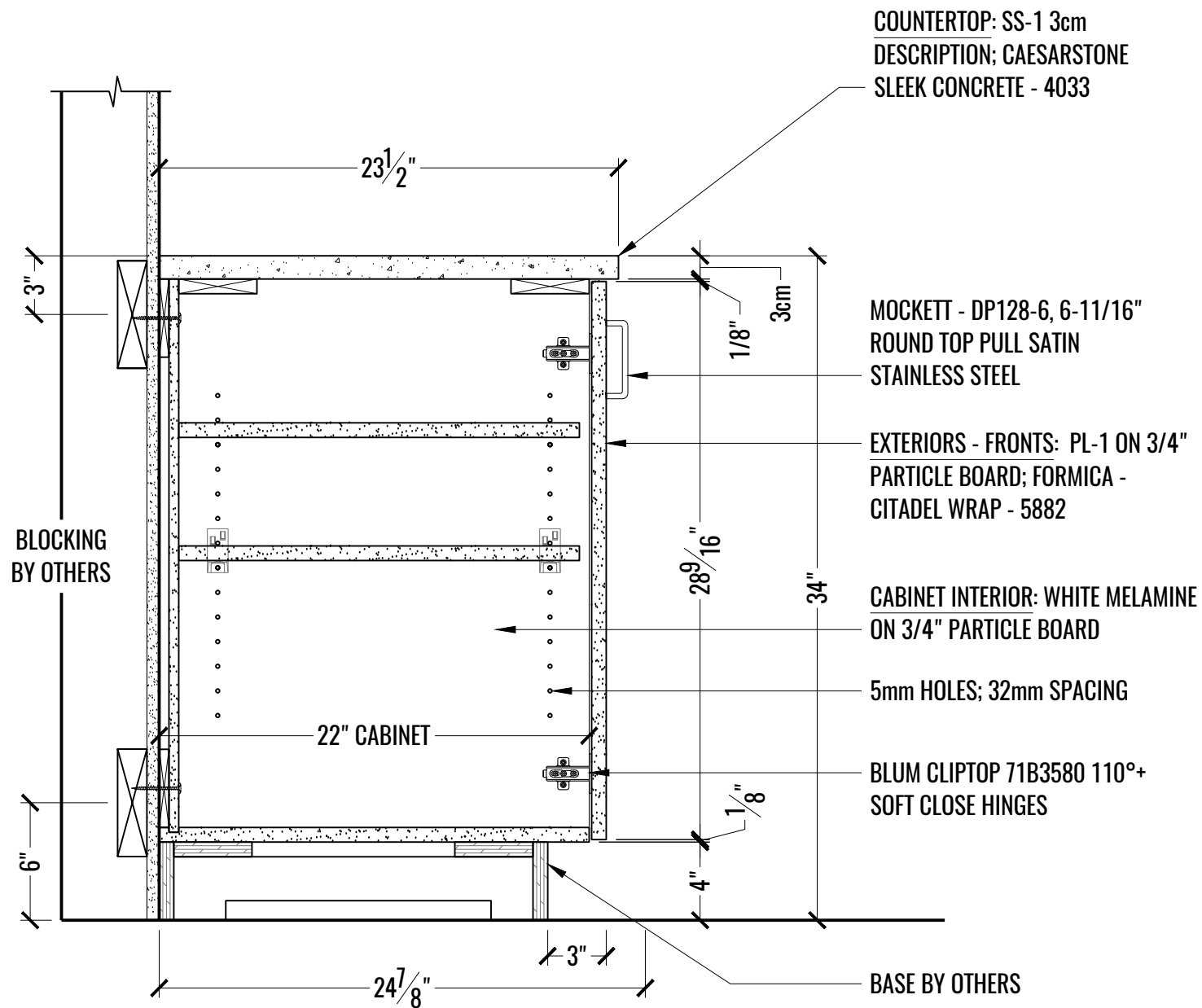
2 SECTION: PANTRY - 418 @ SINK  
C SCALE: 1-1/2" = 1'-0"



1 SECTION: PANTRY - 418 - UPPER CABINET @ REF  
D SCALE: 1-1/2" = 1'-0"

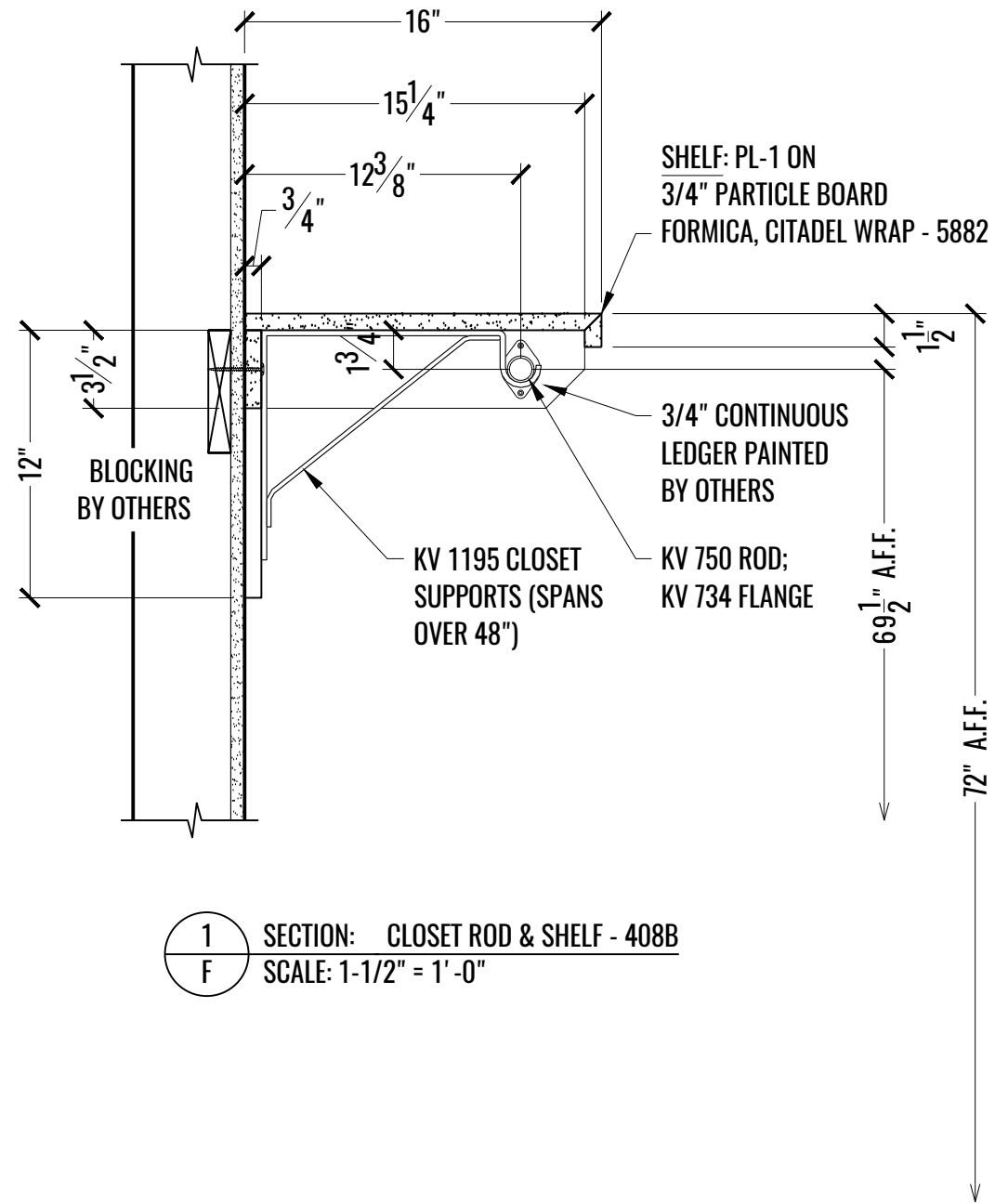


2 SECTION: PANTRY - 418 - UPPER CABINETS 30"  
D SCALE: 1-1/2" = 1'-0"

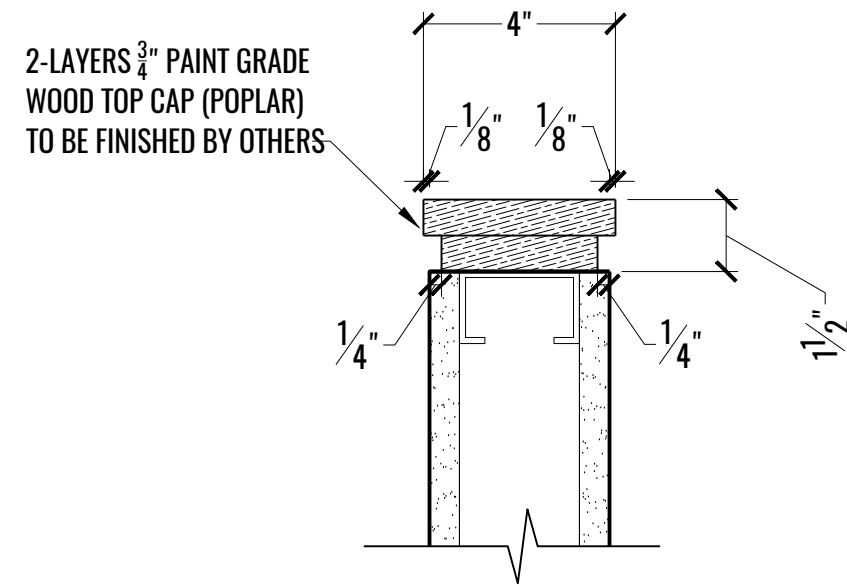


1 SECTION: BASE CABINET - COPY/PRINT - 412  
E SCALE: 1-1/2" = 1'-0"

2 SECTION: VANITY @ WOMENS & MENS RESTROOMS - 409,410  
E SCALE: 1-1/2" = 1'-0"



1 SECTION: CLOSET ROD & SHELF - 408B  
F SCALE: 1-1/2" = 1'-0"



2 SECTION: WOOD TOP CAP DETAIL @ OPEN WORK - 406  
F SCALE: 1-1/2" = 1'-0"