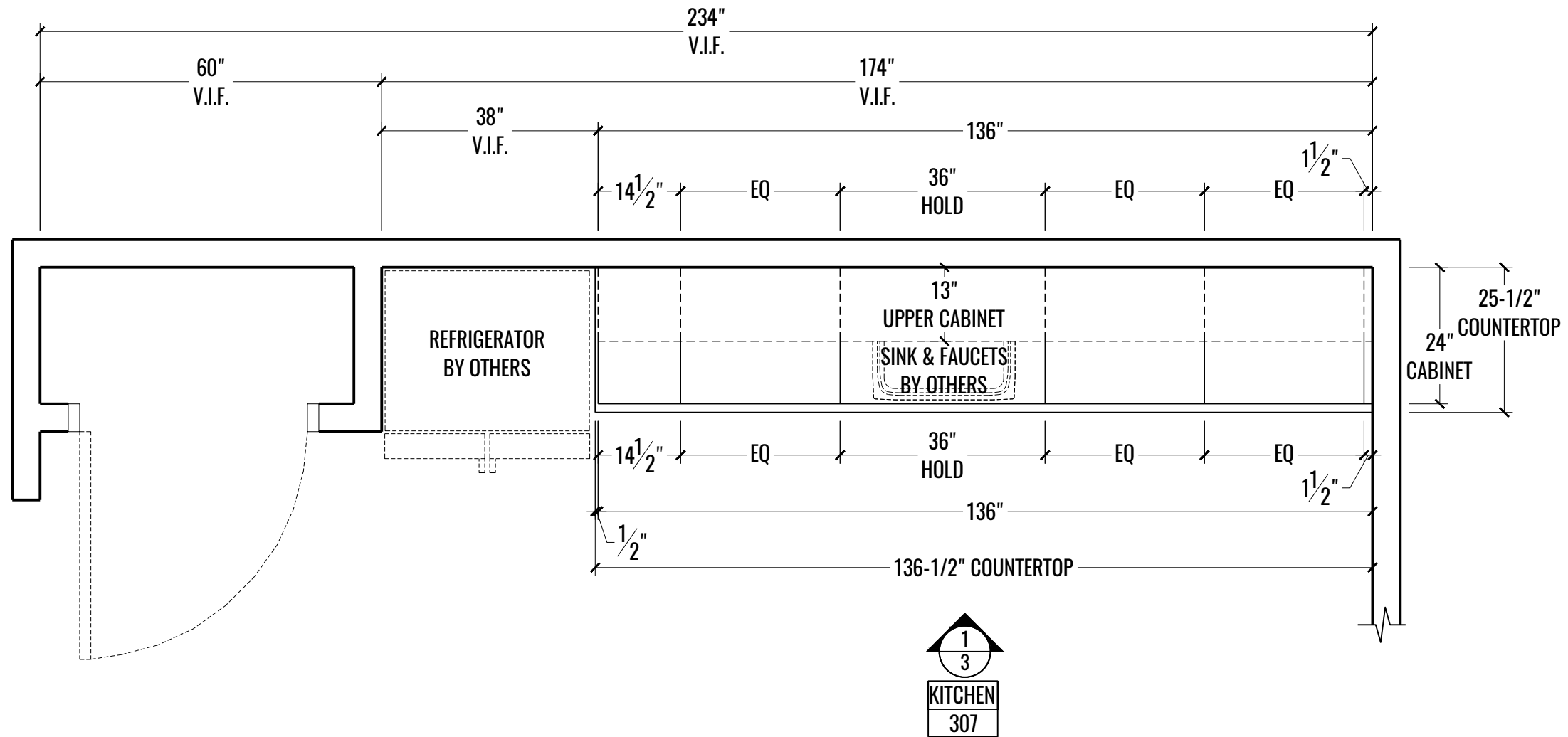
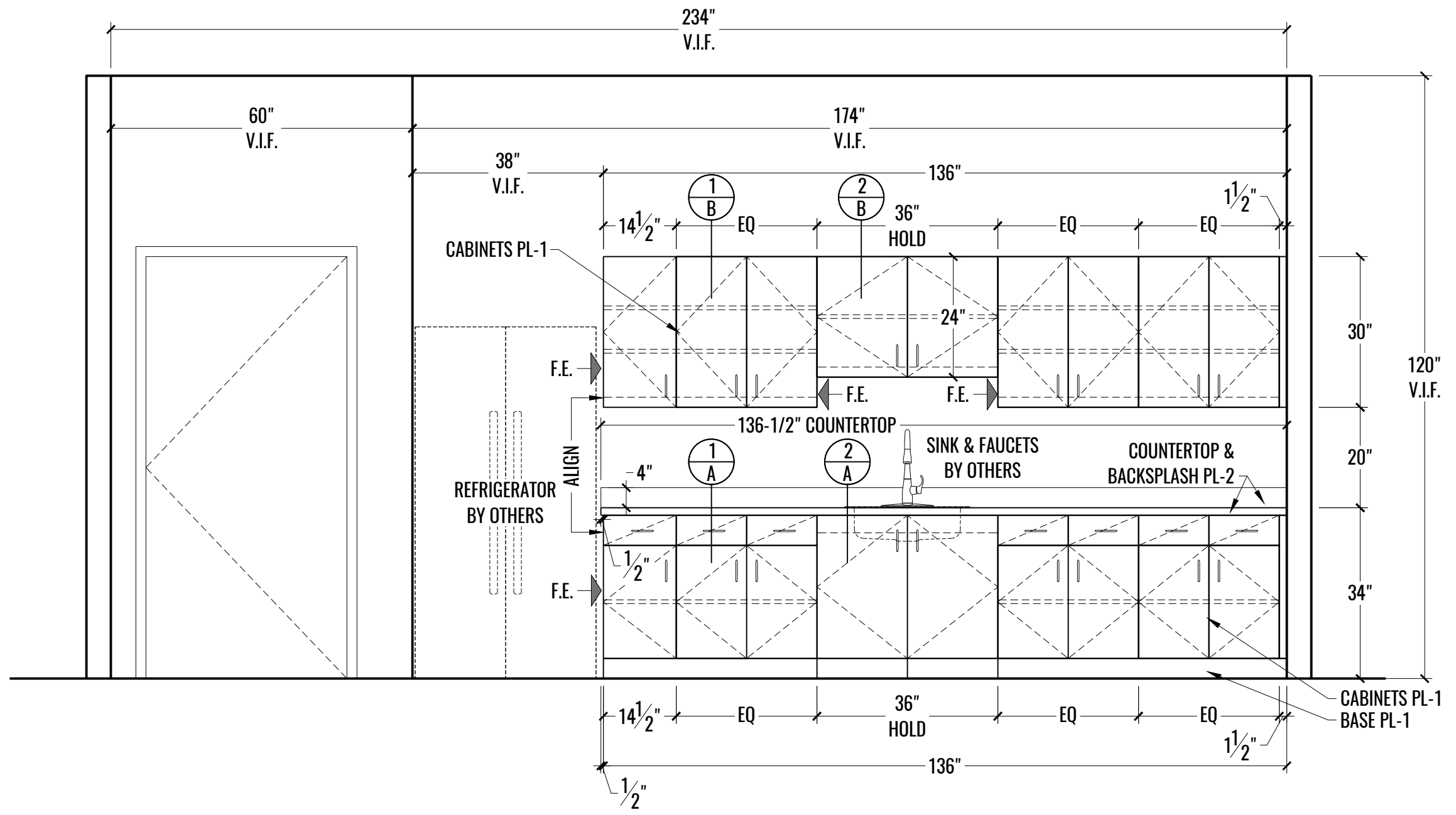


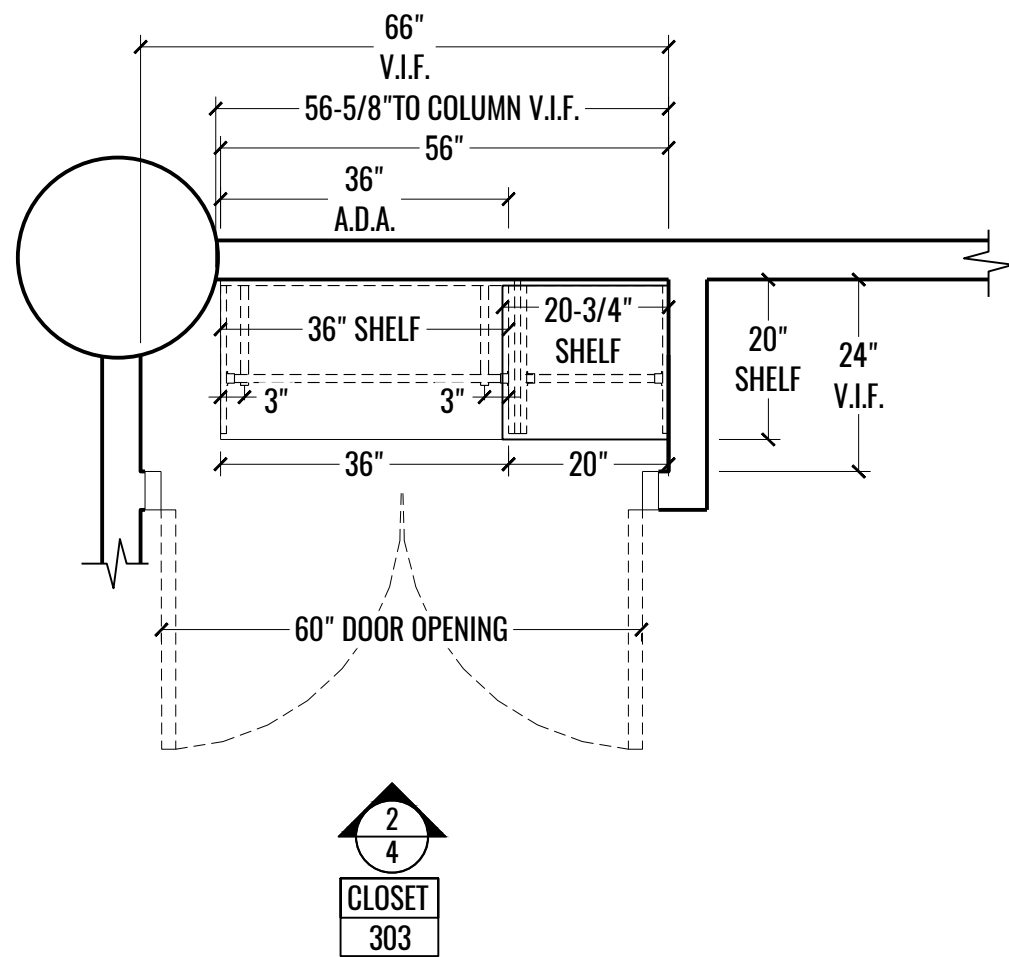
1 PLAN: PROJECT SCOPE - FLOOR THREE
 1 SCALE: NOT TO SCALE



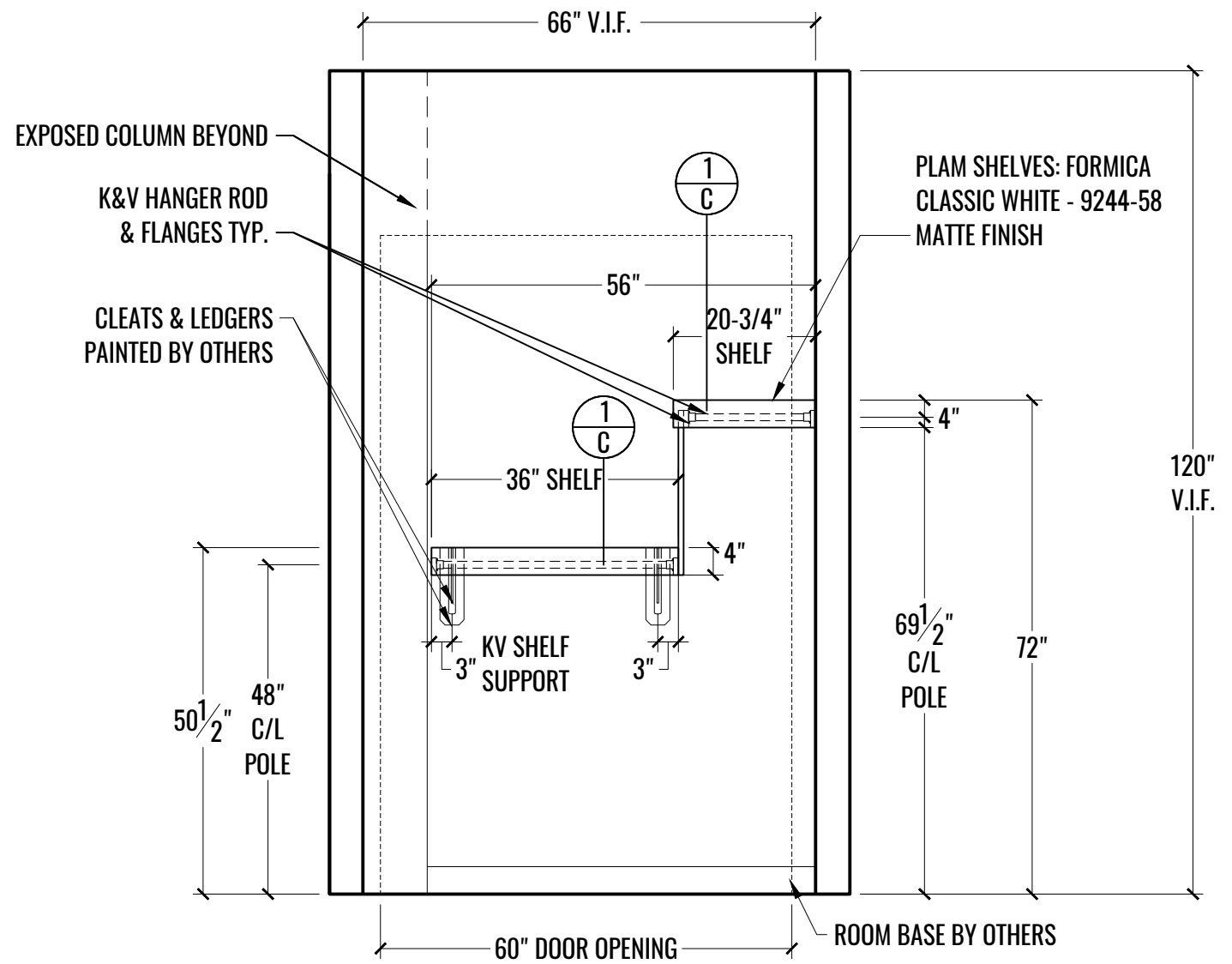
1 PLAN: KITCHEN - 307
2 SCALE: 1/2" = 1'-0"



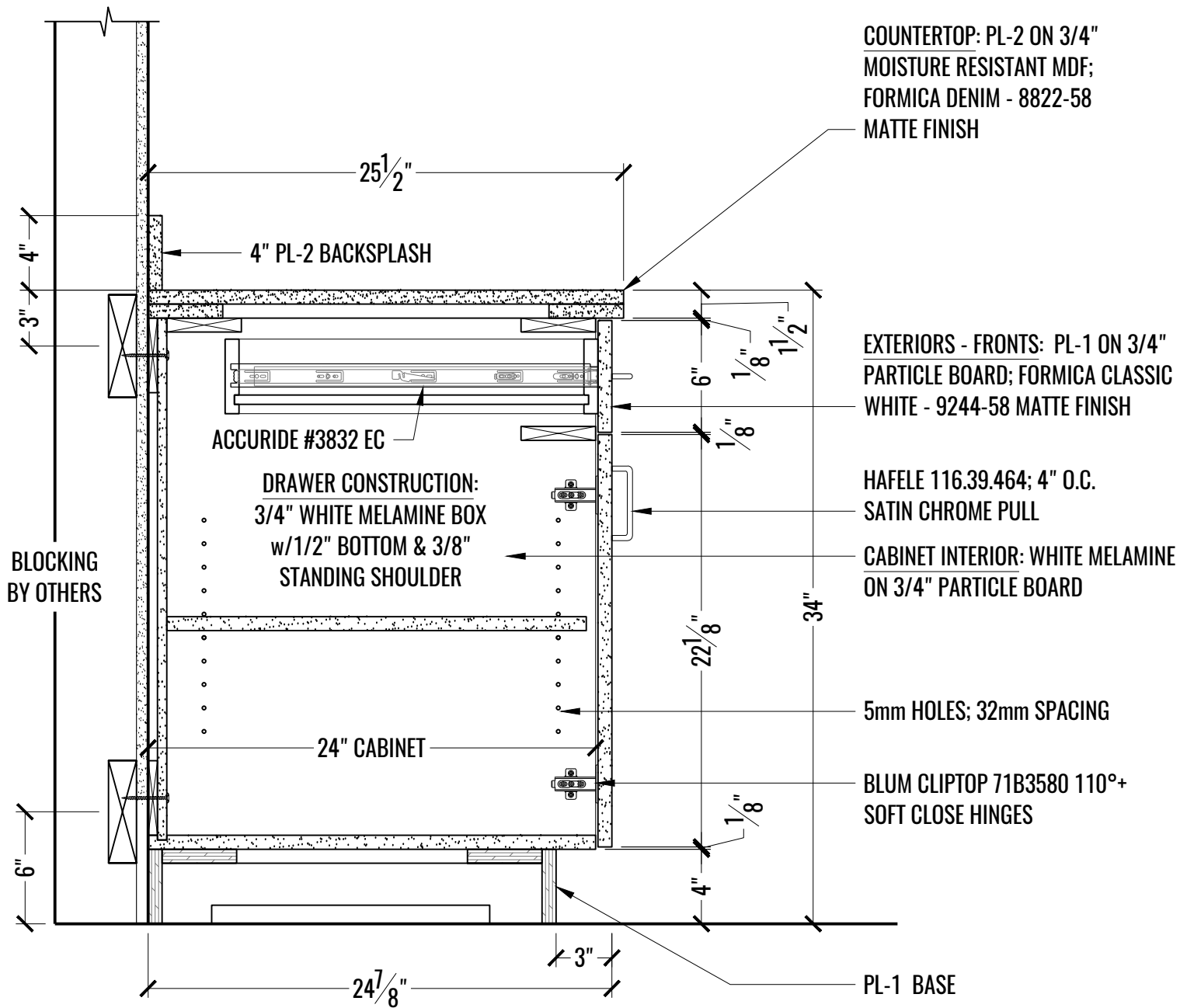
1 ELEVATION: KITCHEN - 307
 3 SCALE: 1/2" = 1'-0"



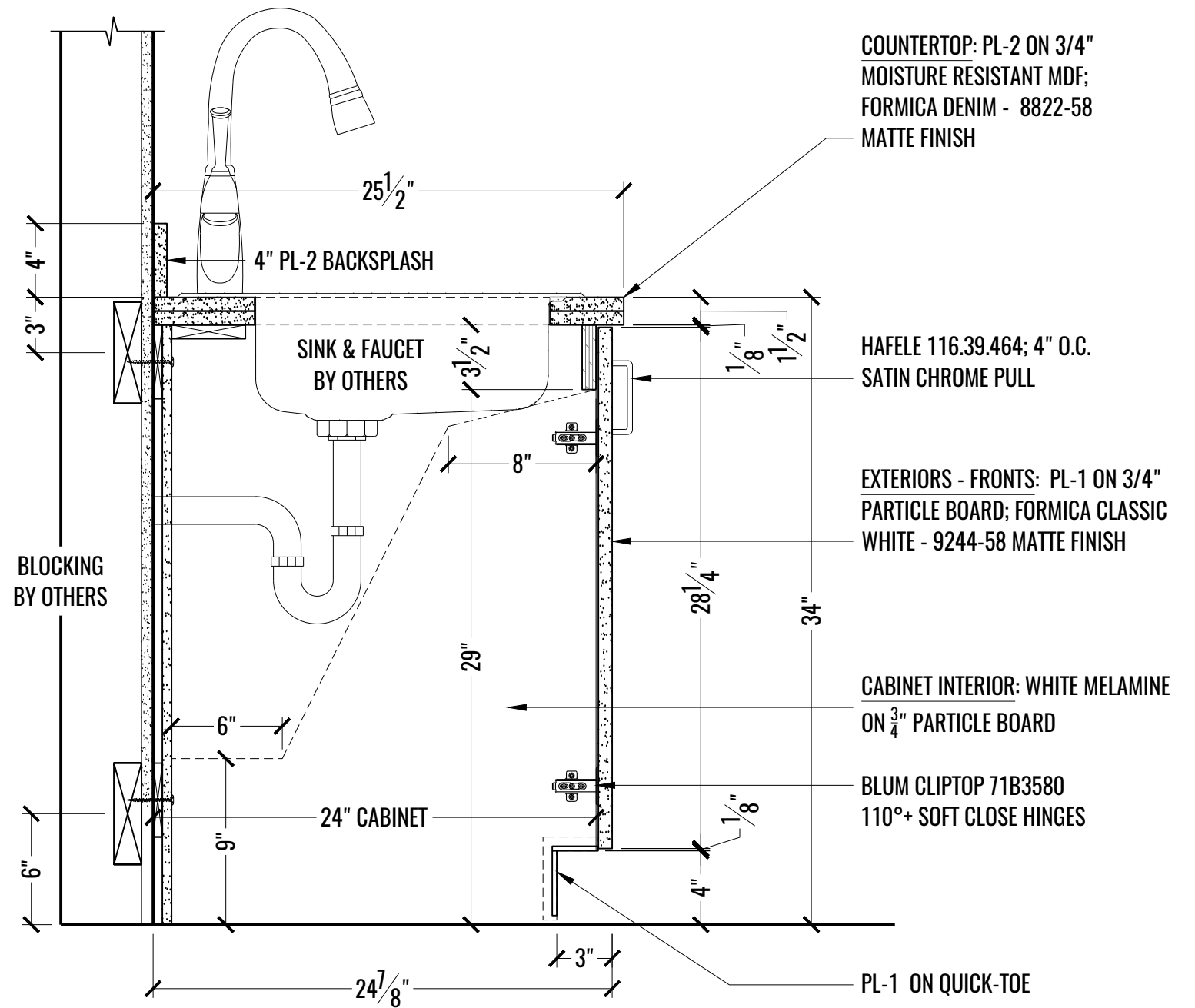
1 PLAN: CLOSET - 303
 4 SCALE: 1/2" = 1'-0"



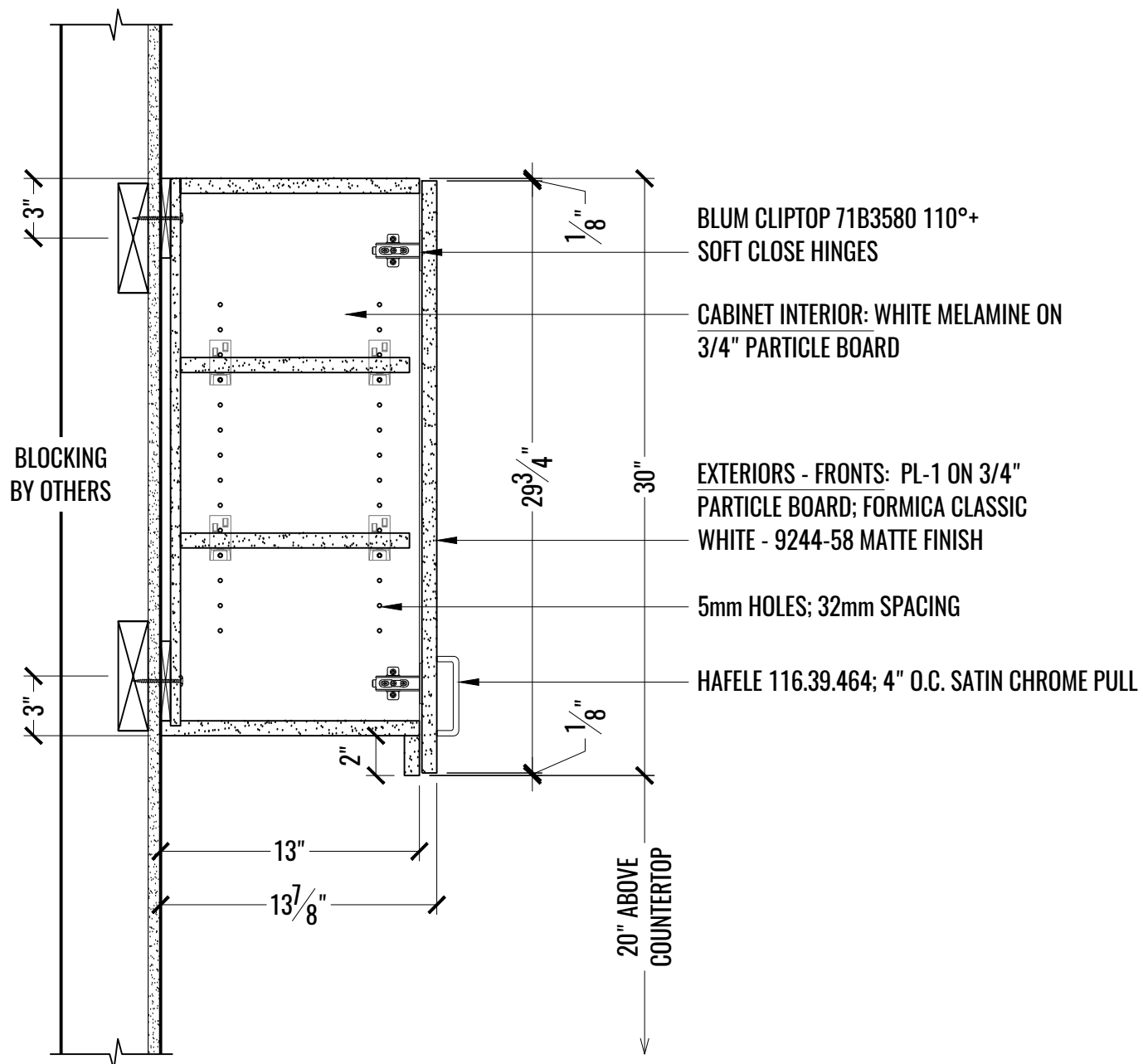
2 ELEVATION: CLOSET - 303
 4 SCALE: 1/2" = 1'-0"



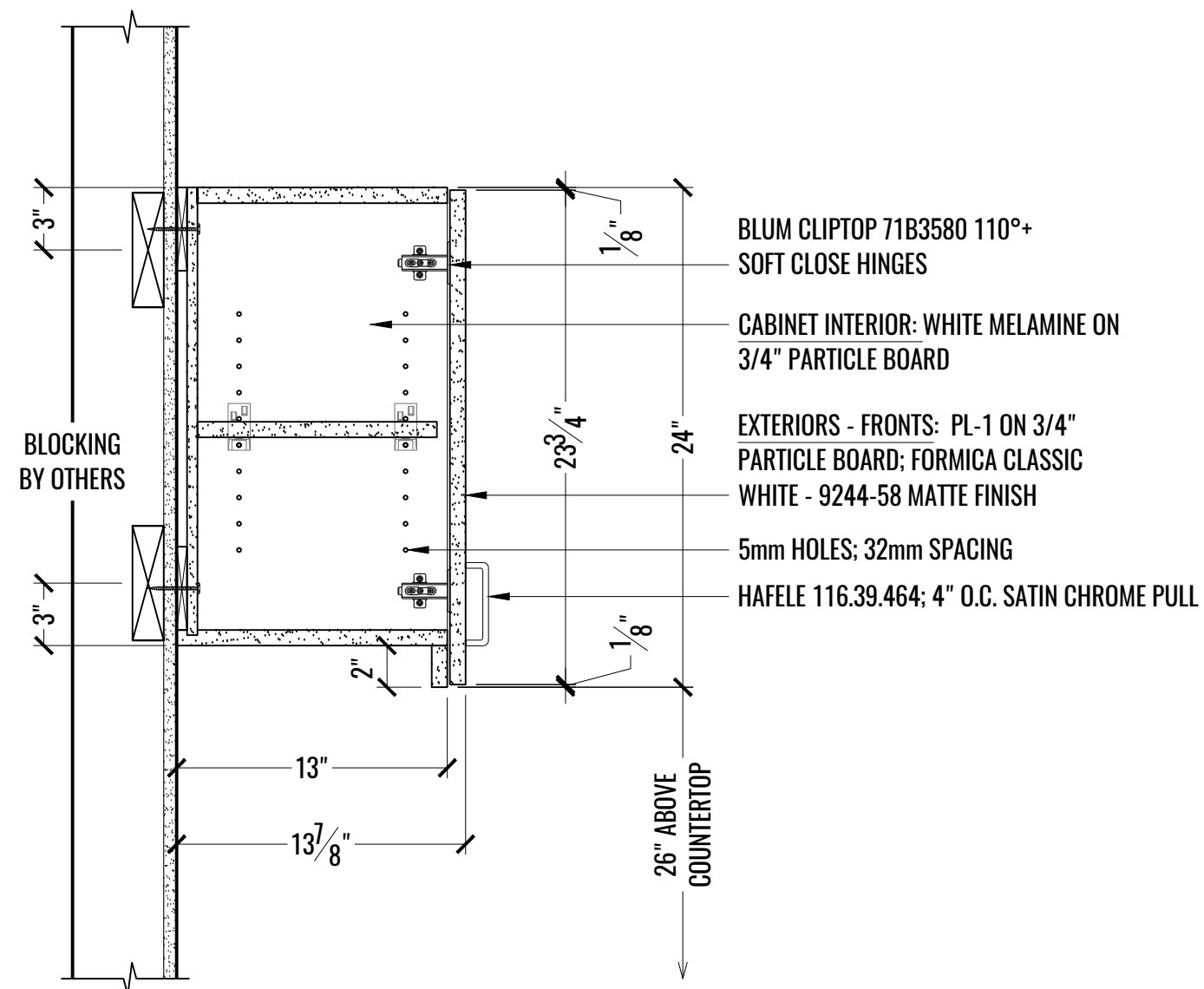
1 SECTION: BASE CABINET W/DRAWERS KITCHEN - 307
 A SCALE: 1-1/2" = 1'-0"



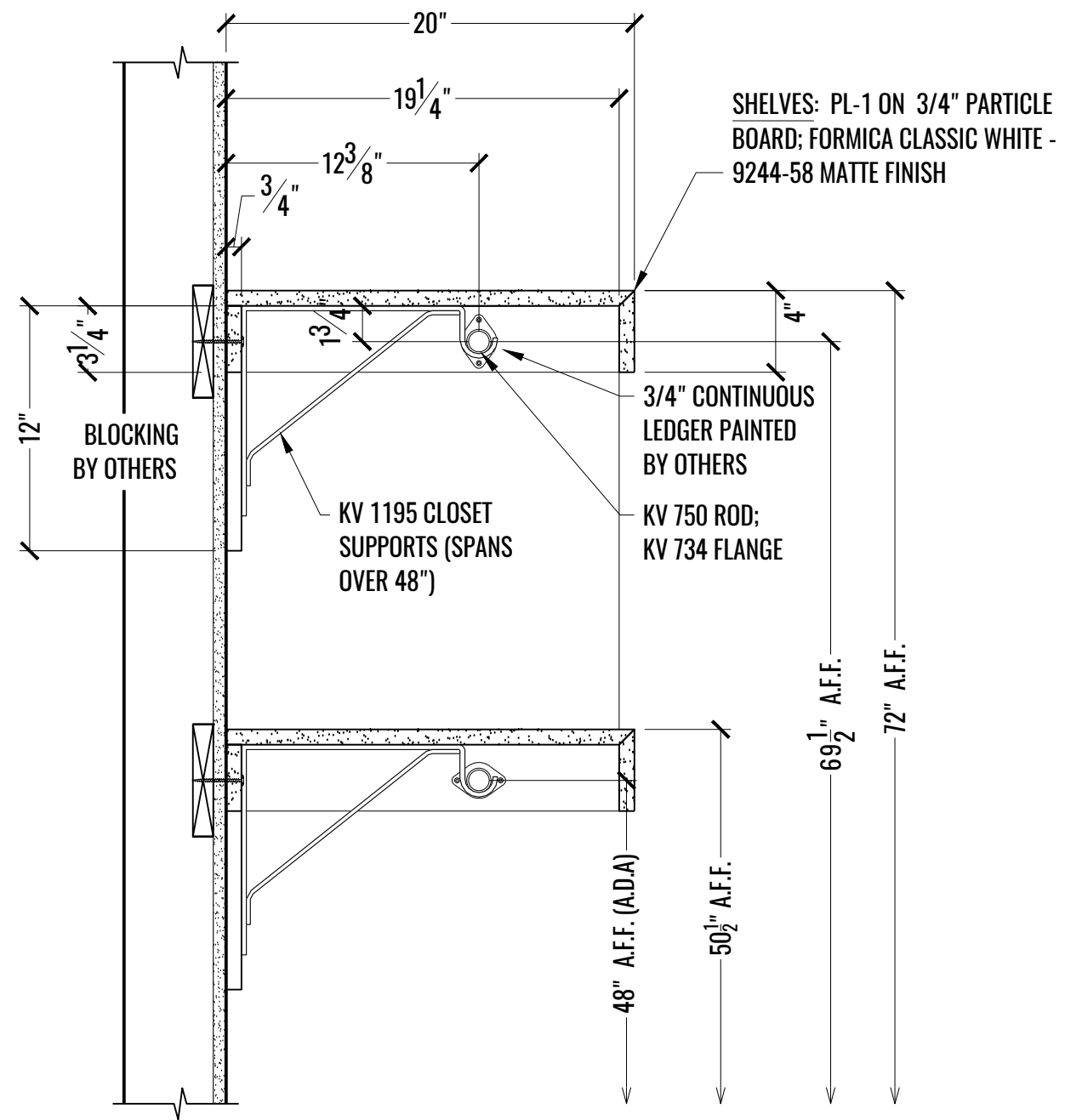
2 SECTION: BASE CABINET @ SINK - KITCHEN - 307
 A SCALE: 1-1/2" = 1'-0"



1 SECTION: UPPER CABINETS 30" H KITCHEN - 307
B SCALE: 1-1/2" = 1'-0"



2 SECTION: UPPER CABINETS 24" H KITCHEN - 307
B SCALE: 1-1/2" = 1'-0"



1 SECTION: ROD & SHELF CLOSET - 303
 C SCALE: 1-1/2" = 1'-0"