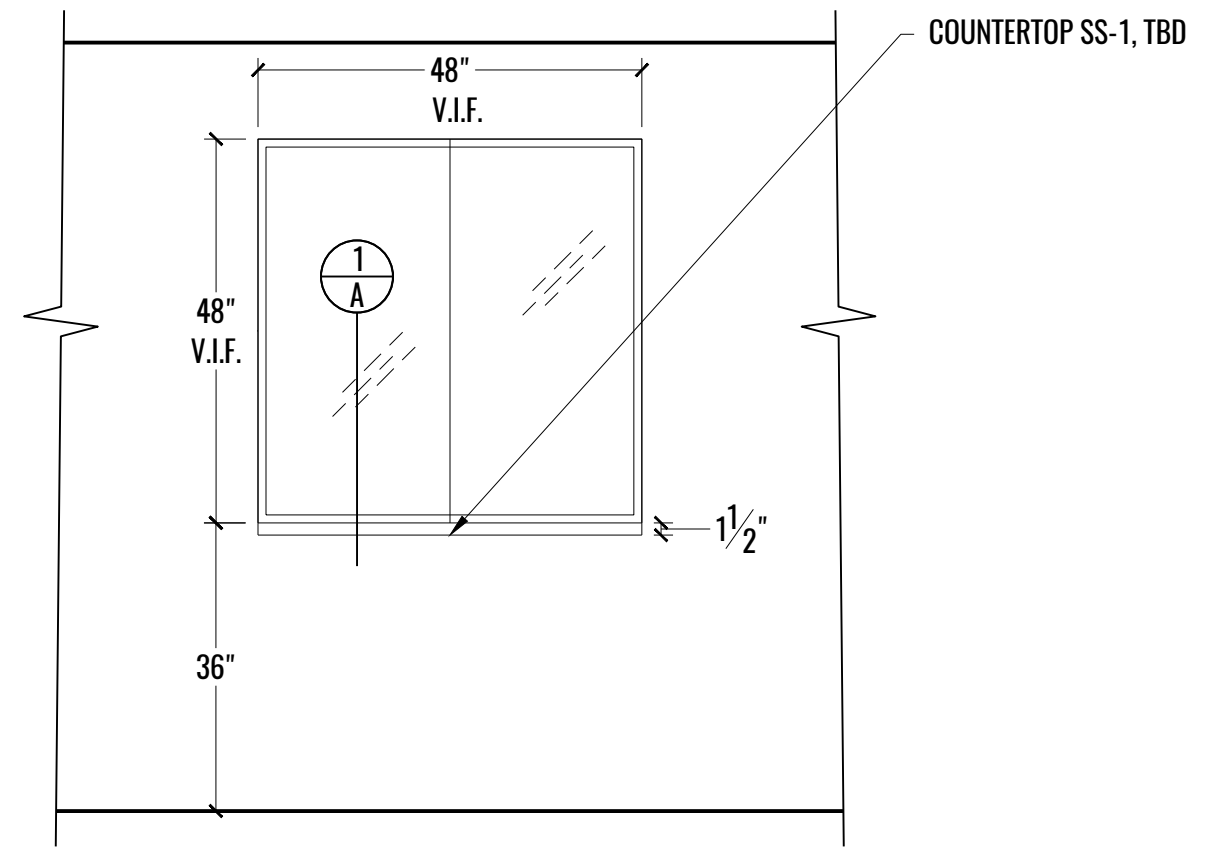
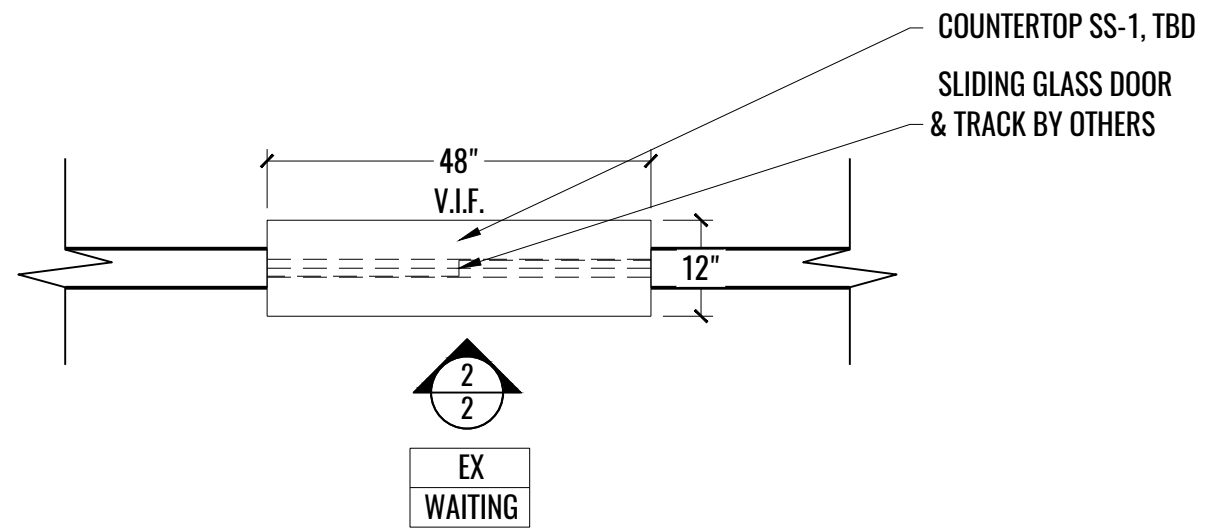
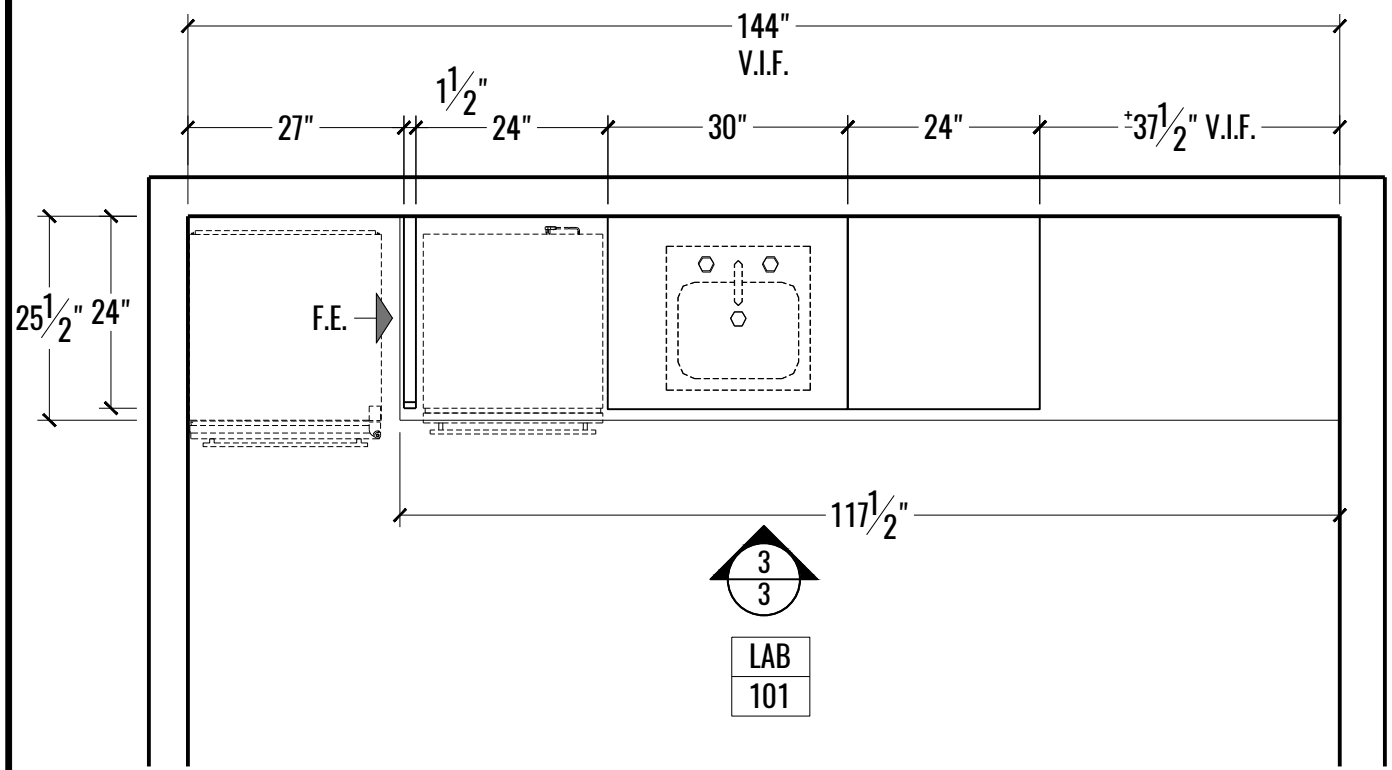


1 PLAN: PROJECT SCOPE - FIRST FLOOR
1 SCALE: NOT TO SCALE

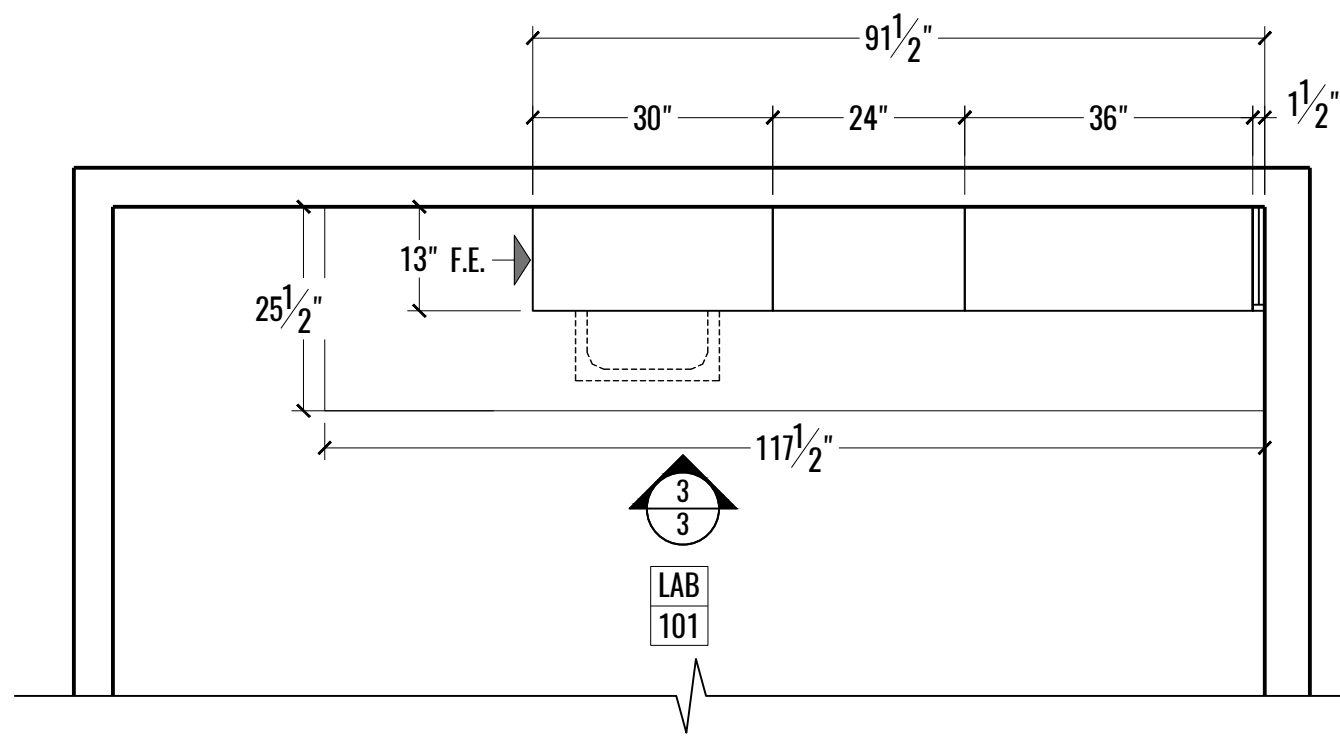


1 PLAN: EX-WAITING RM - TRANSACTION COUNTERTOP
2 SCALE: 1/2" = 1'-0"

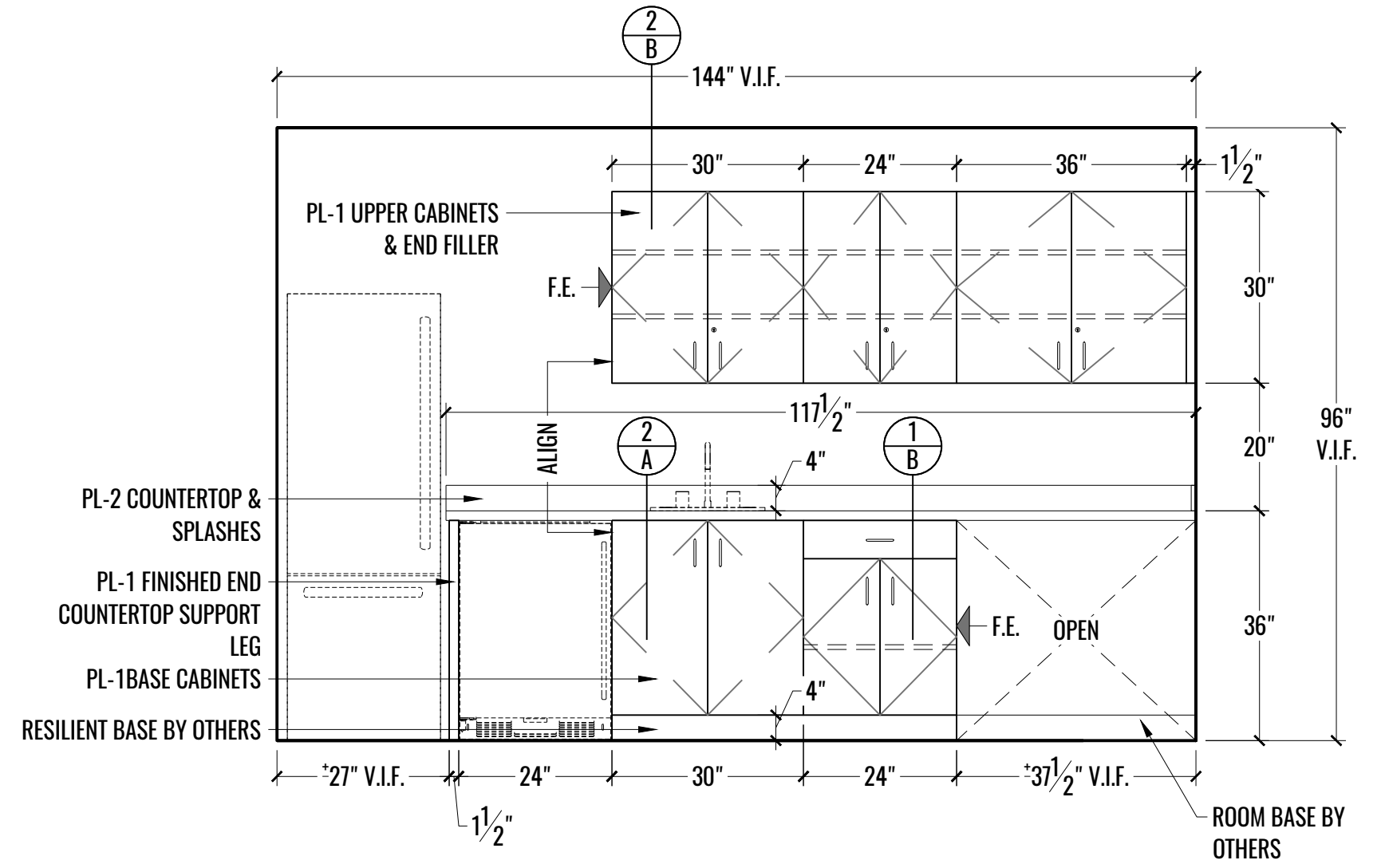
2 ELEVATION: EX-WAITING RM - TRANSACTION COUNTERTOP
2 SCALE: 1/2" = 1'-0"



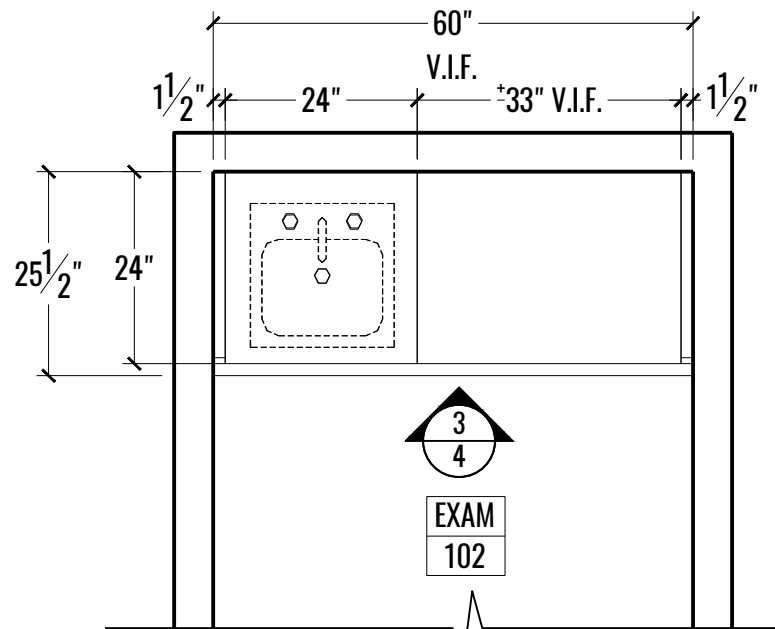
1 PLAN: LAB RM# 101 - BASE CABINETS
3 SCALE: 1/2" = 1'-0"



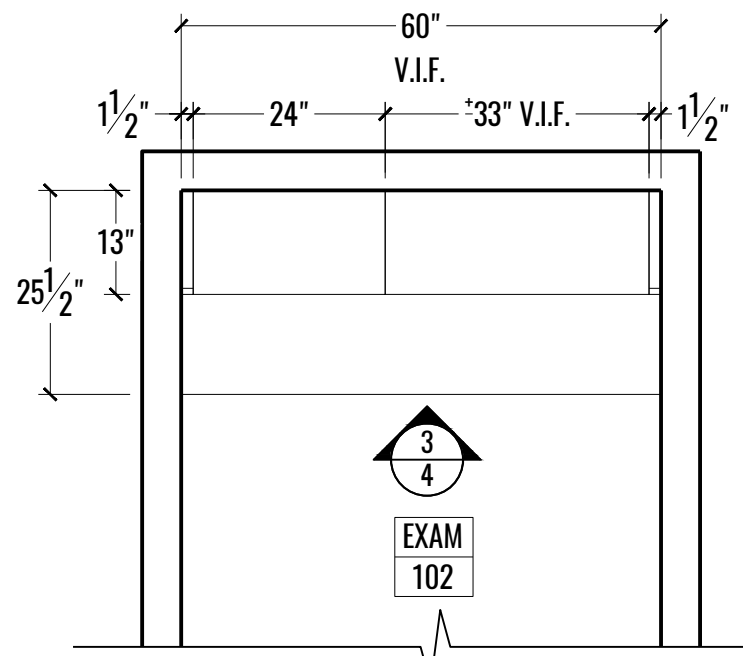
2 PLAN: LAB RM# 101 - CABINET UPPERS
3 SCALE: 1/2" = 1'-0"



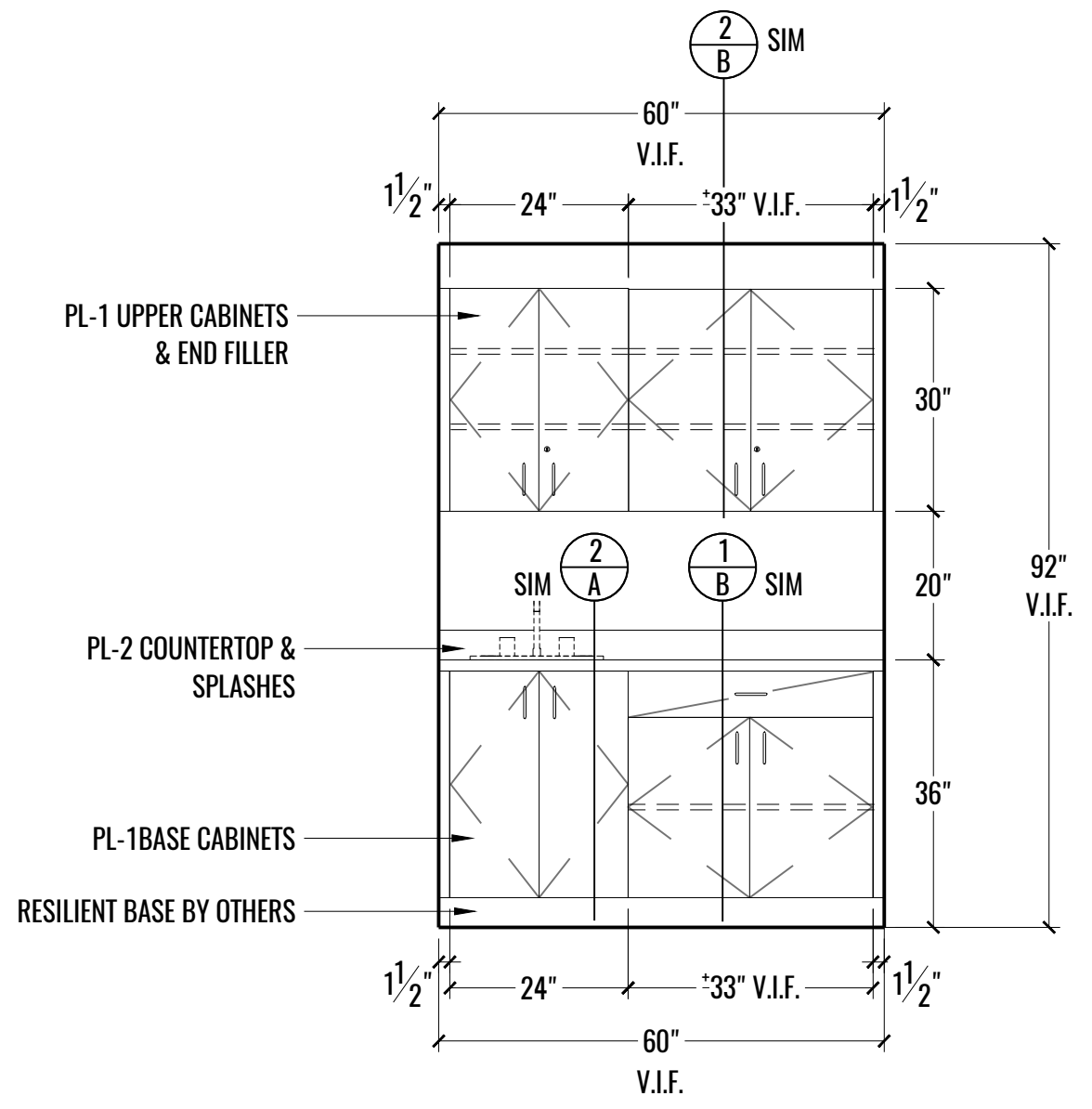
3 ELEVATION: LAB RM# 101
3 SCALE: 1/2" = 1'-0"



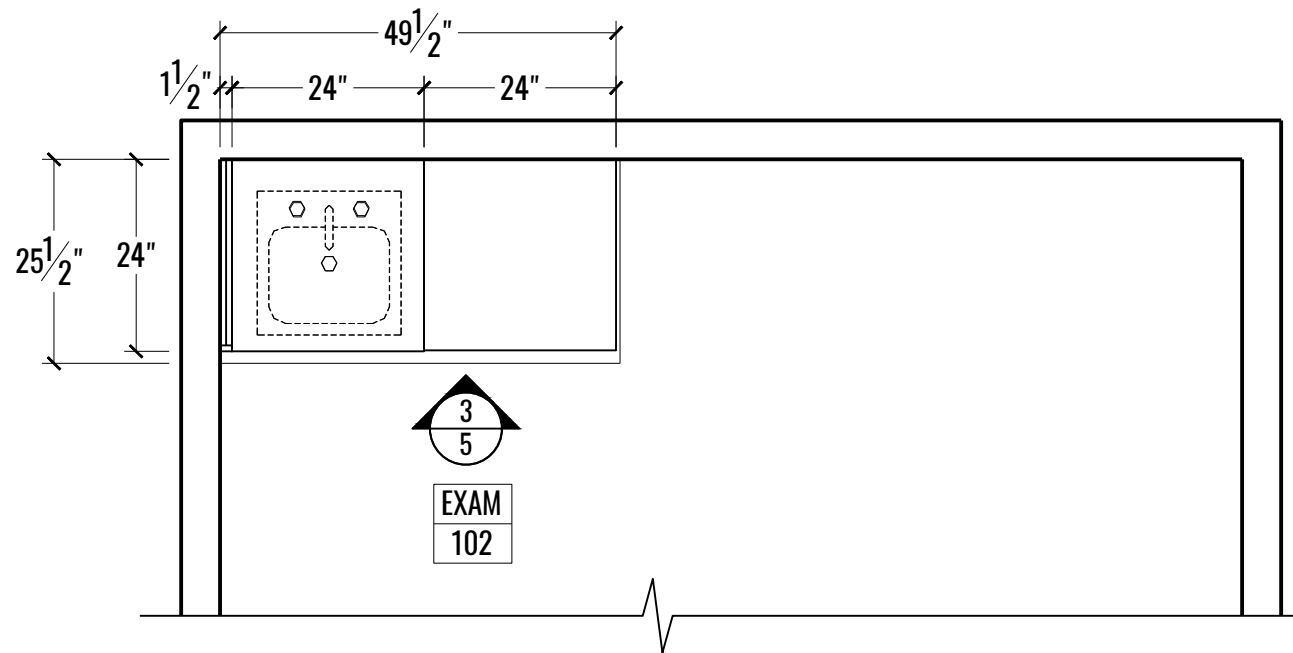
1 PLAN: EXAM RM# 102 - BASE CABINETS
4 SCALE: 1/2" = 1'-0"



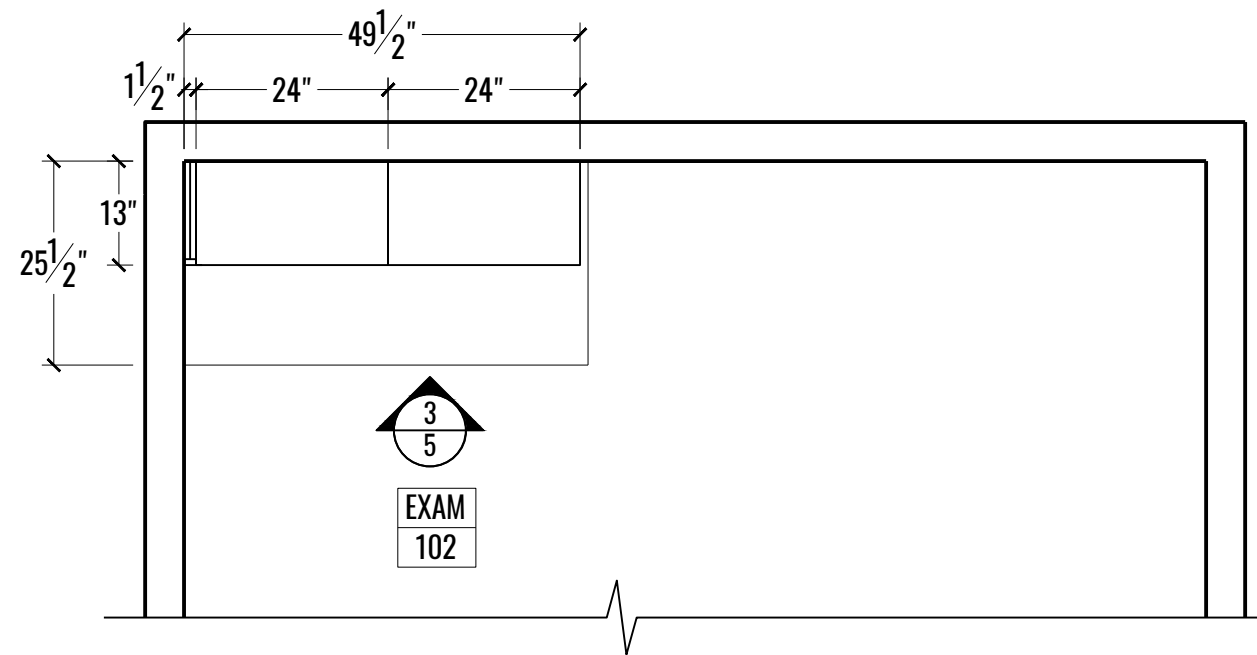
2 PLAN: EXAM RM# 102 - CABINET UPPERS
4 SCALE: 1/2" = 1'-0"



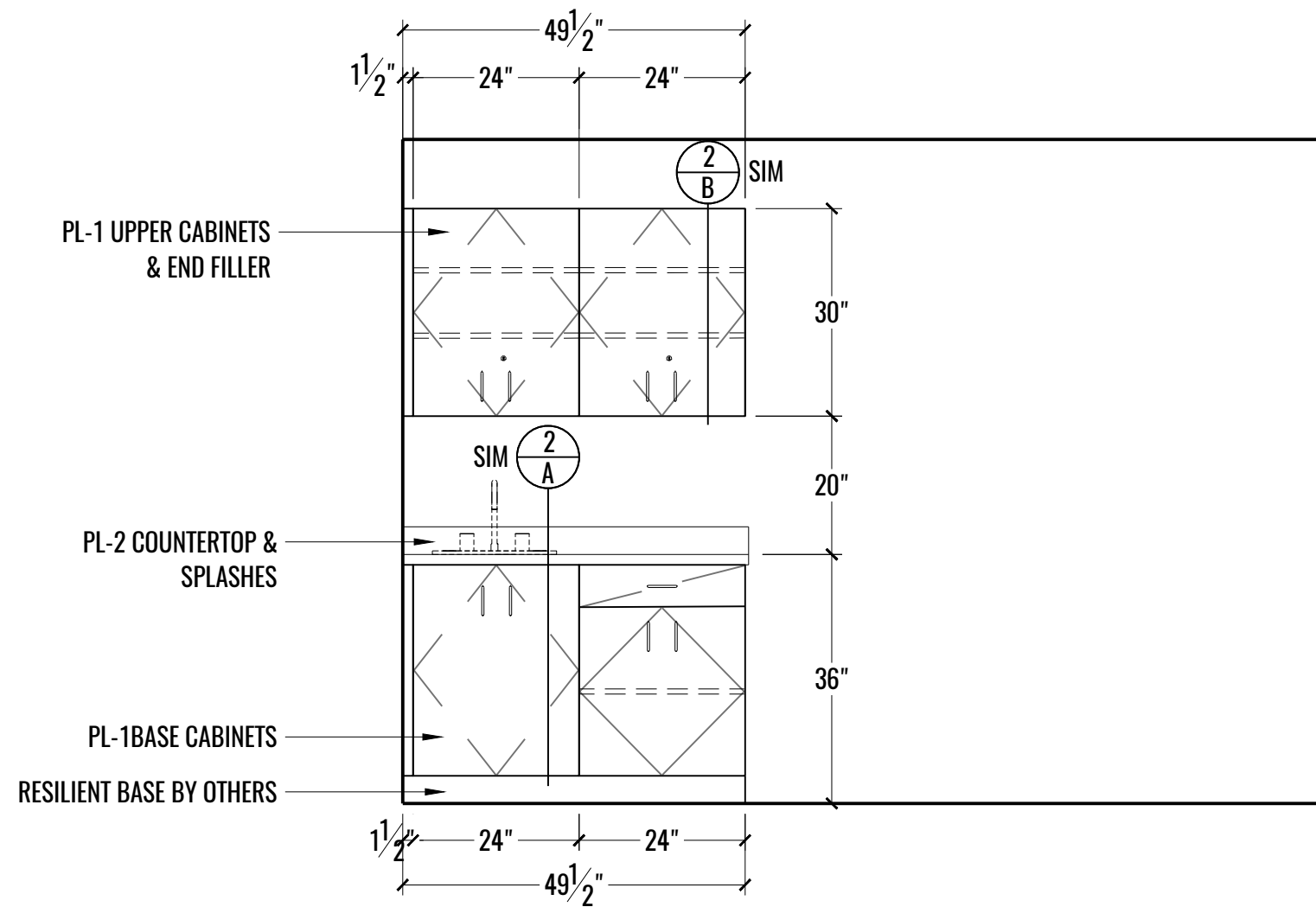
3 ELEVATION: EXAM RM# 102
4 SCALE: 1/2" = 1'-0"



2 PLAN: EXAM RM'S # 103 & 105
5 SCALE: 1/2" = 1'-0"



1 PLAN: EXAM RM'S # 103 & 105 CABINET UPPERS
5 SCALE: 1/2" = 1'-0"

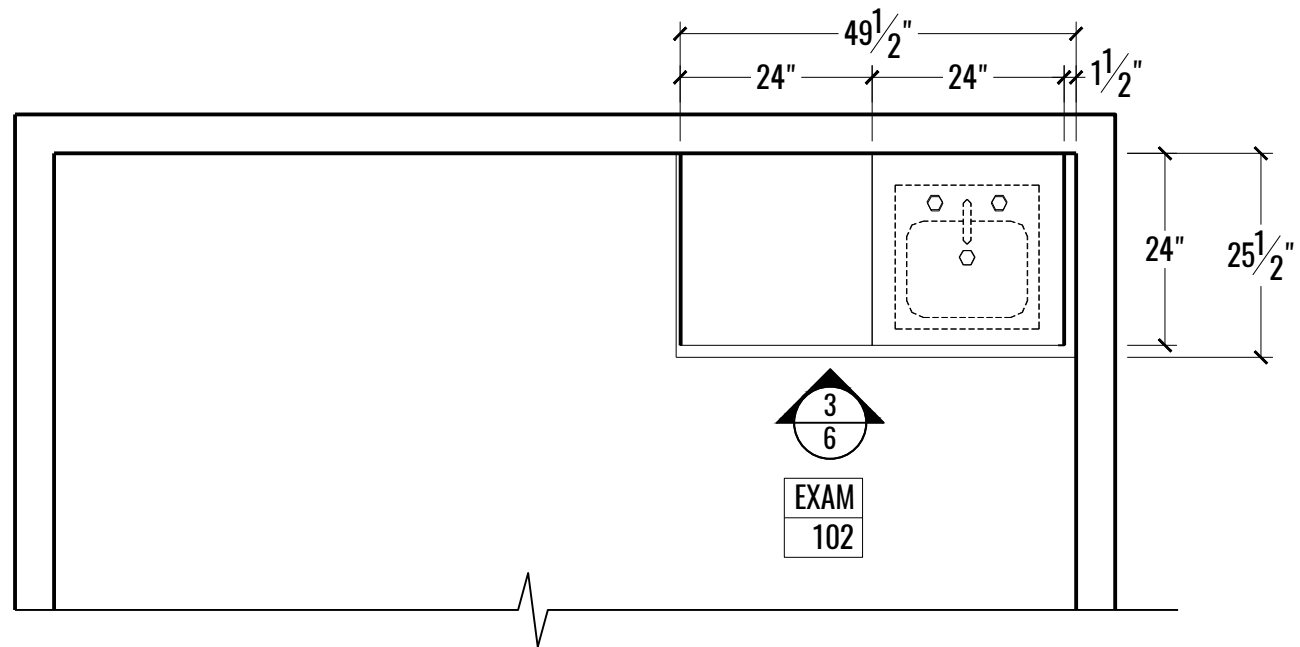


PL-1 UPPER CABINETS
& END FILLER

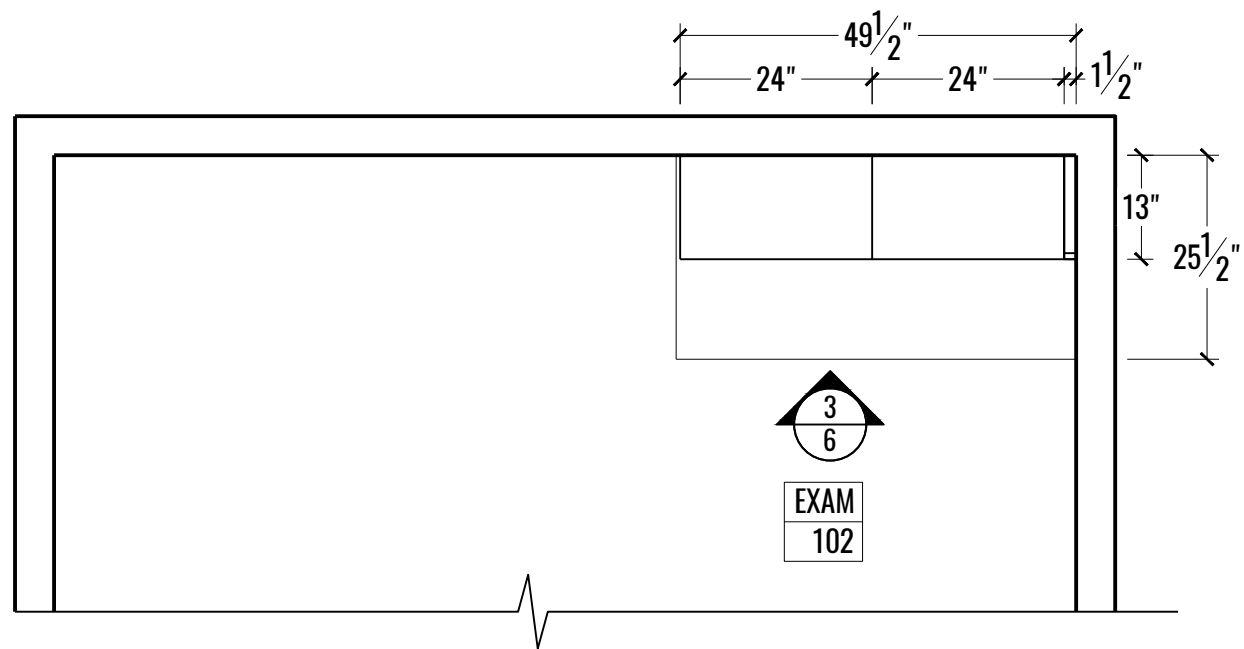
PL-2 COUNTERTOP &
SPLASHES

PL-1 BASE CABINETS
RESILIENT BASE BY OTHERS

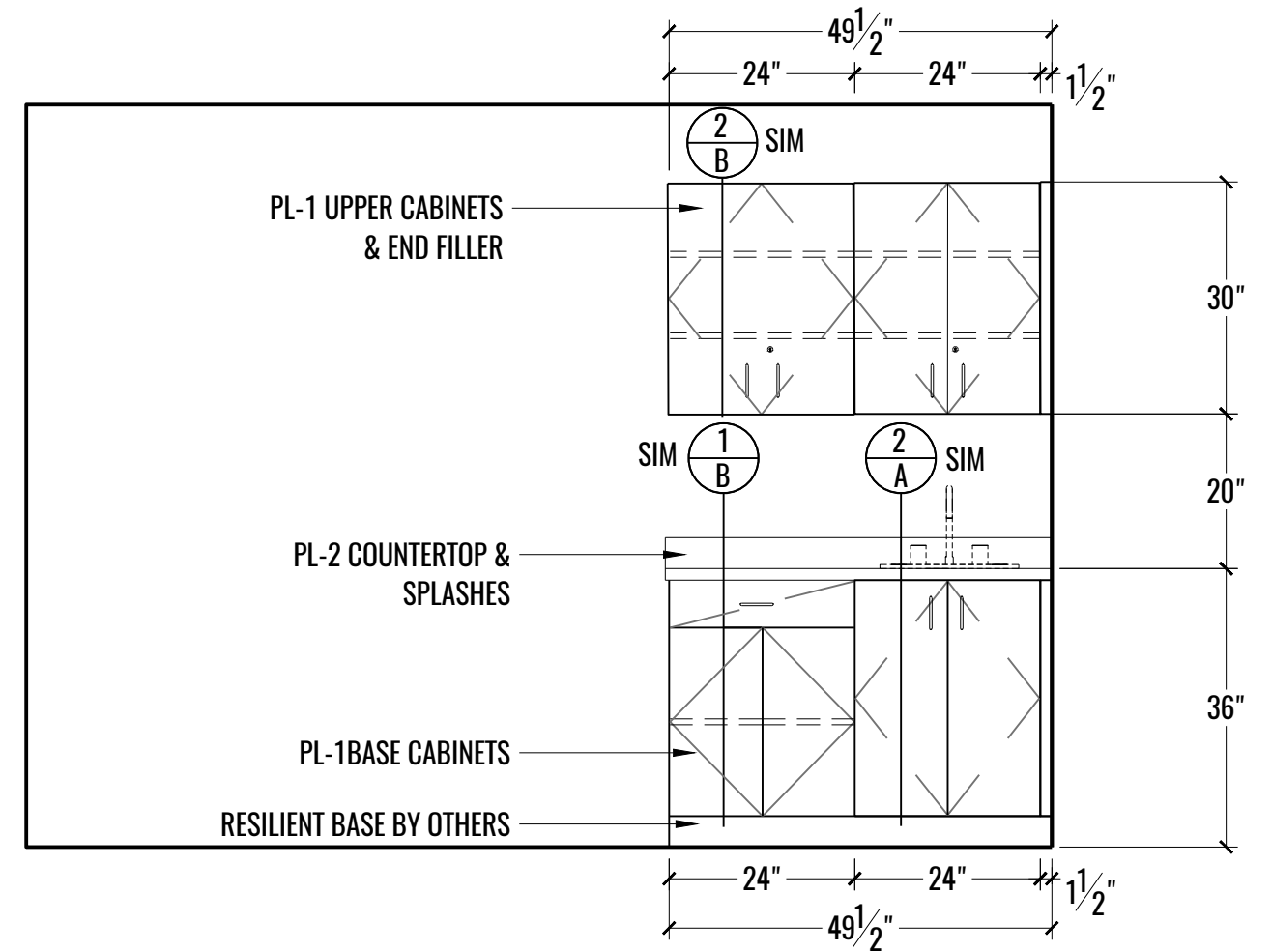
3 ELEVATION: EXAM RM'S # 103 & 105
5 SCALE: 1/2" = 1'-0"



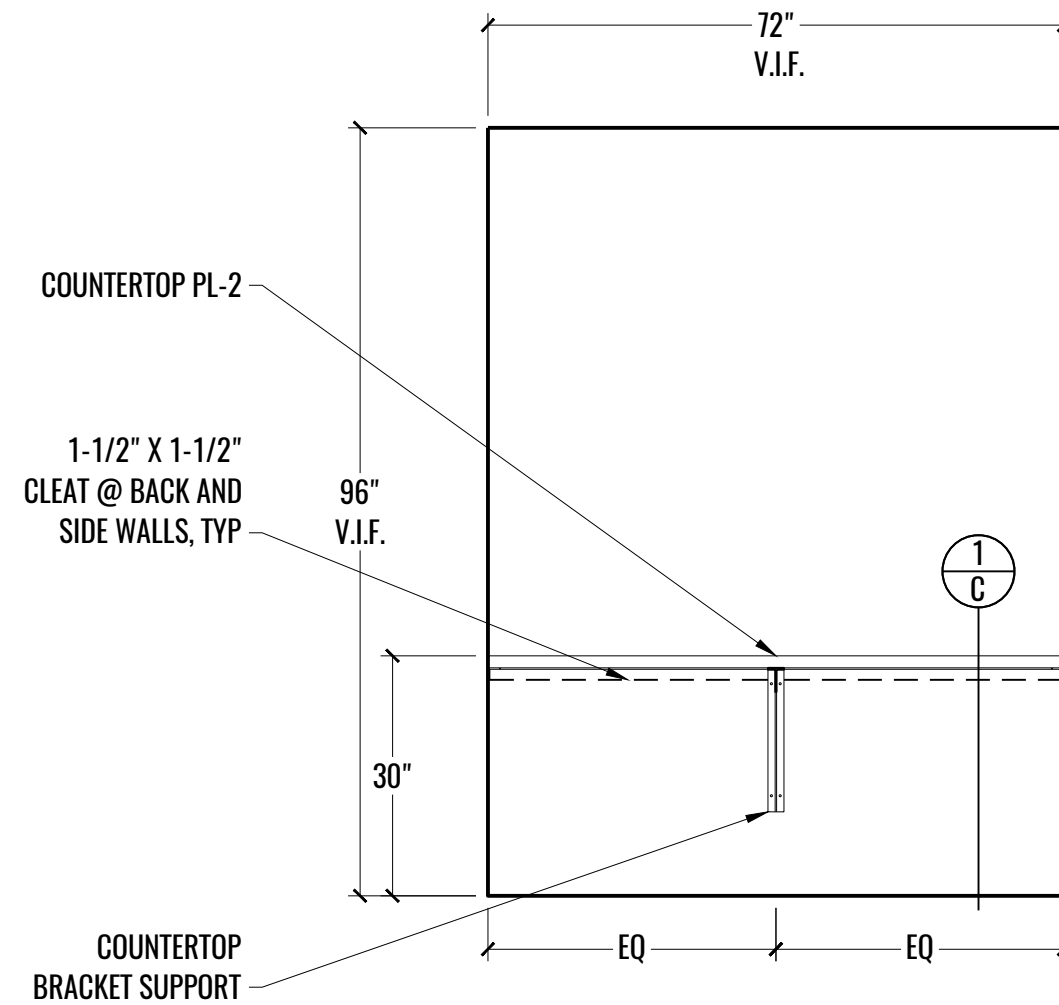
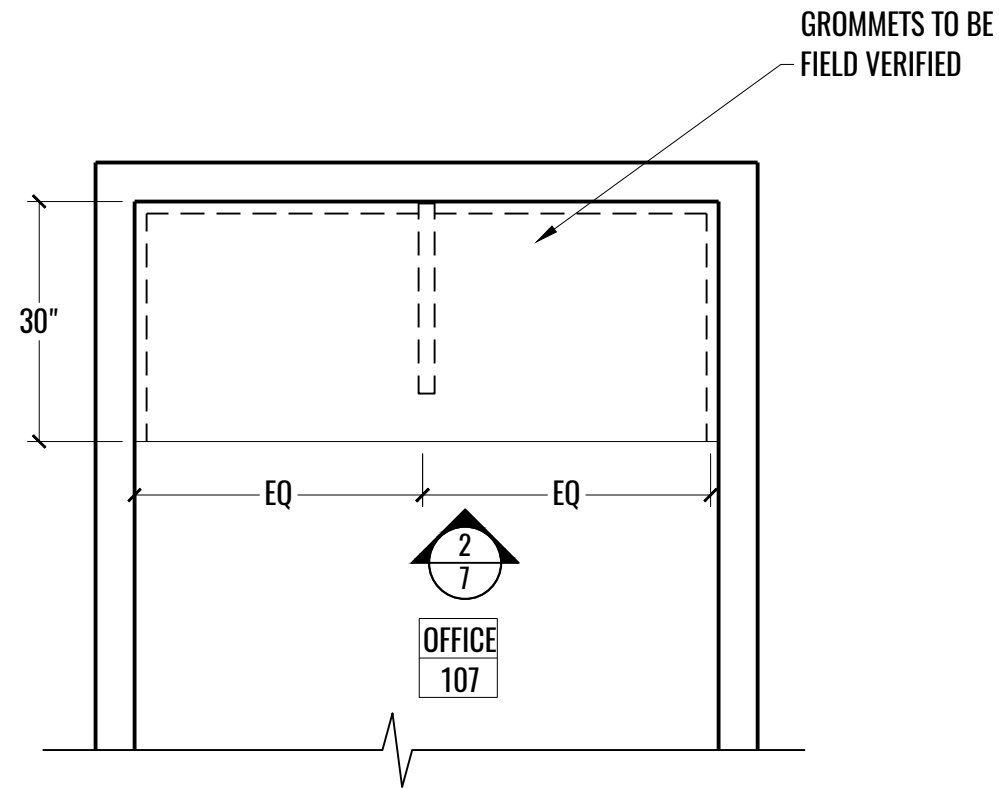
2 PLAN: EXAM RM# 104 BASE CABINETS
6 SCALE: 1/2" = 1'-0"



1 PLAN: EXAM RM# 104 - CABINET UPPERS
6 SCALE: 1/2" = 1'-0"



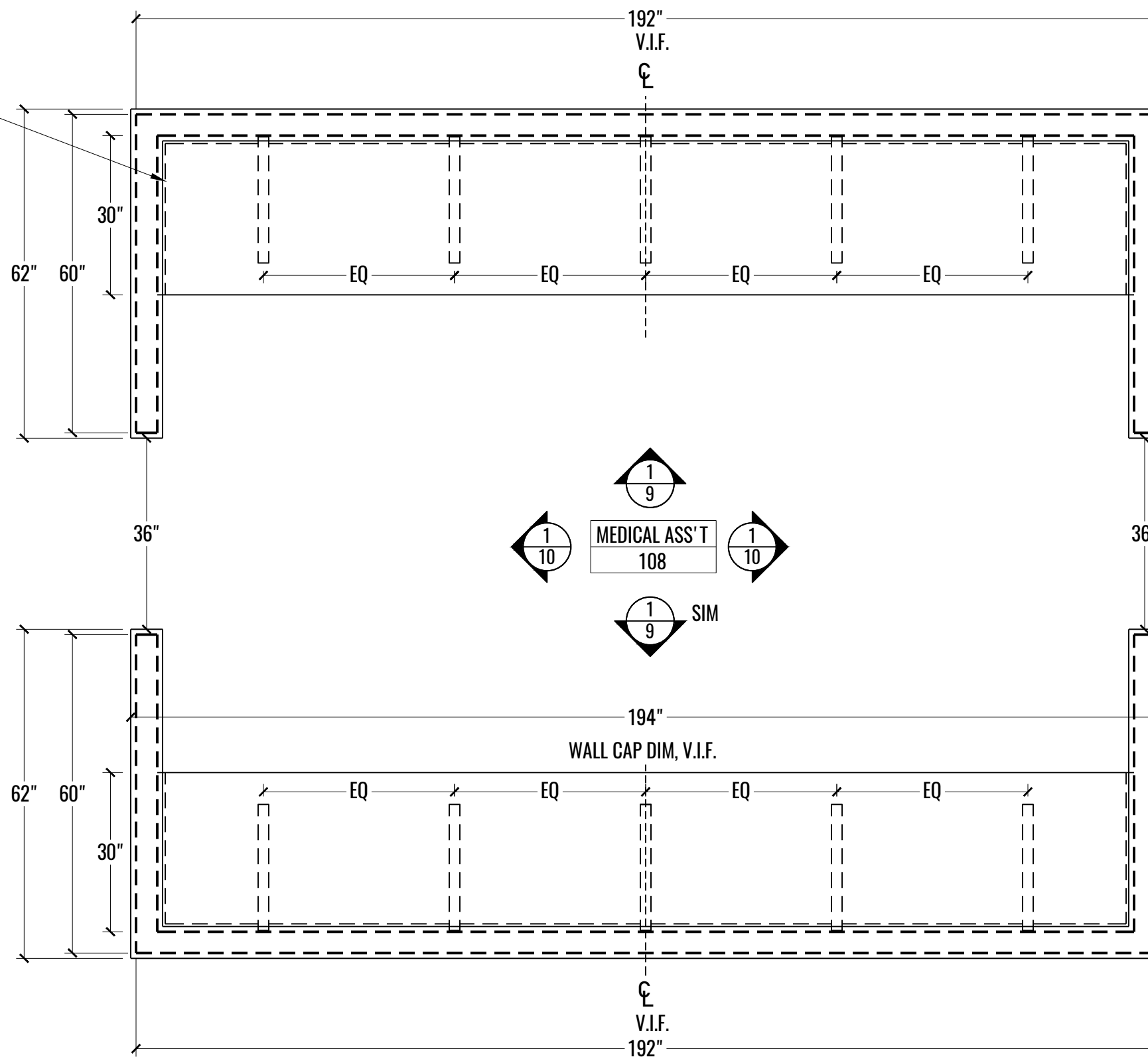
3 ELEVATION: EXAM RM# 104
6 SCALE: 1/2" = 1'-0"



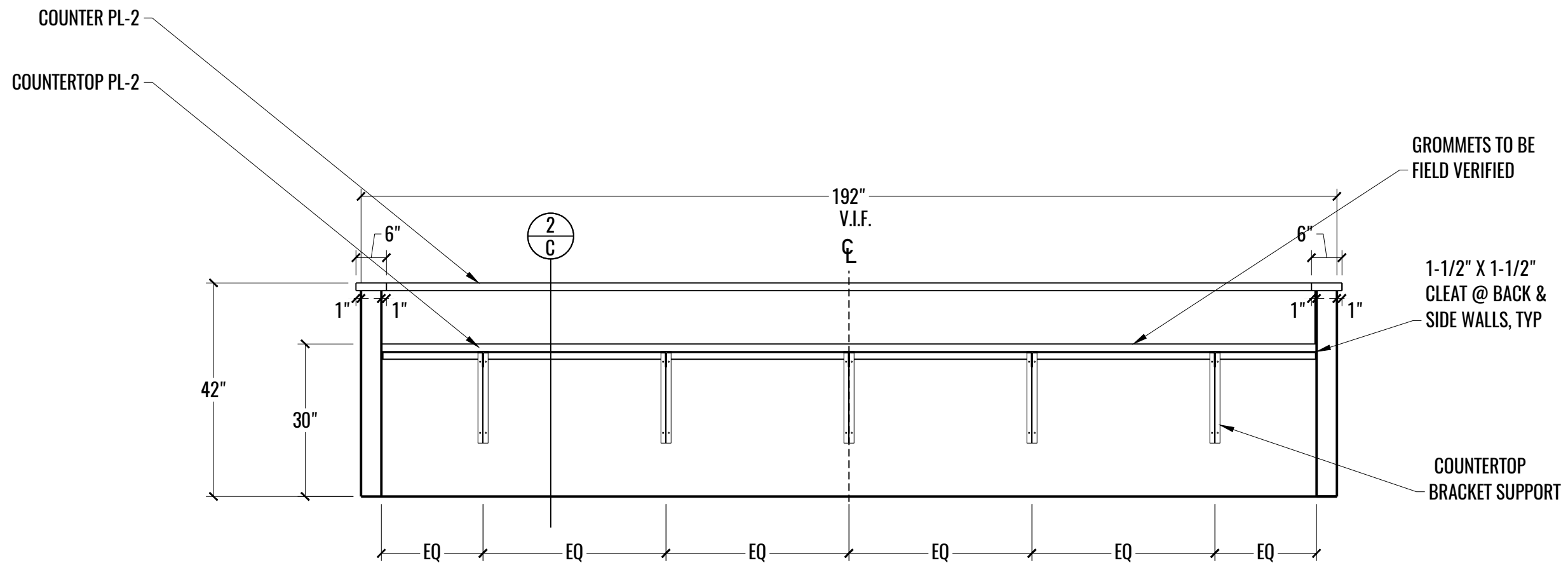
1
7 PLAN: OFFICE RM# 107 - COUNTERTOP
SCALE: 1/2" = 1'-0"

2
7 ELEVATION: OFFICE RM# 107 - COUNTERTOP
SCALE: 1/2" = 1'-0"

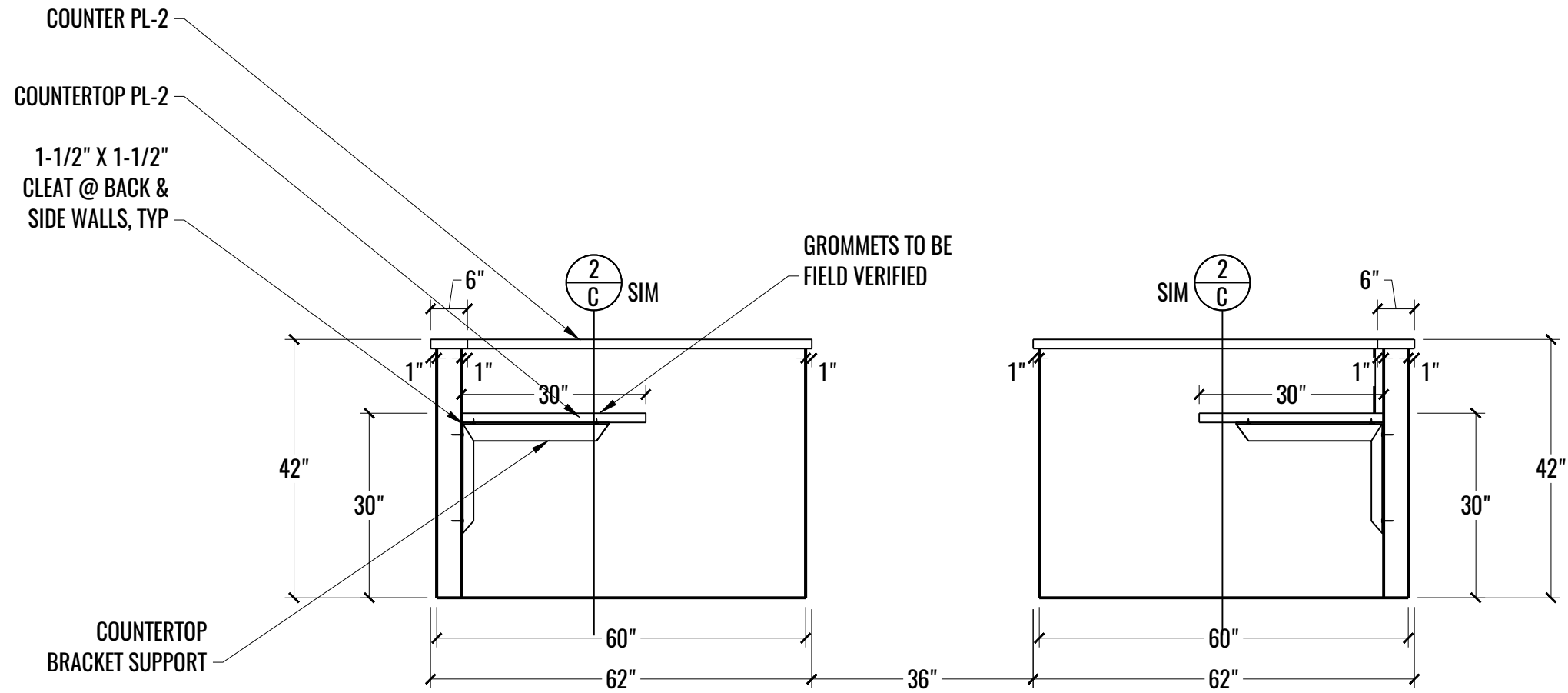
1-1/2" X 1-1/2"
CLEAT @ BACK AND
SIDE WALLS, TYP



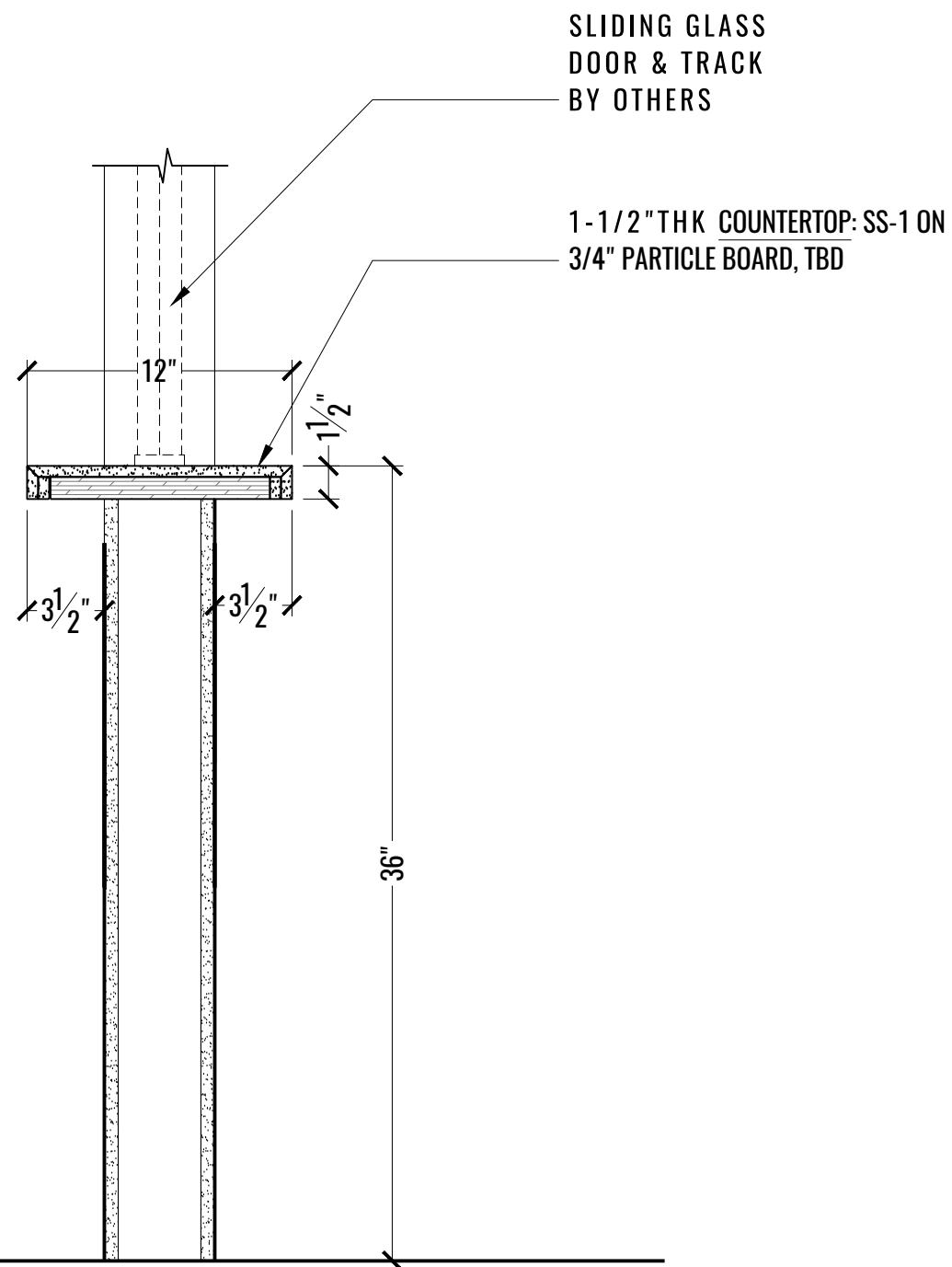
1 PLAN: MEDICAL ASS'T RM# 108 - RAISED WALL W/COUNTER & COUNTERTOP
8 SCALE: 1/2" = 1'-0"



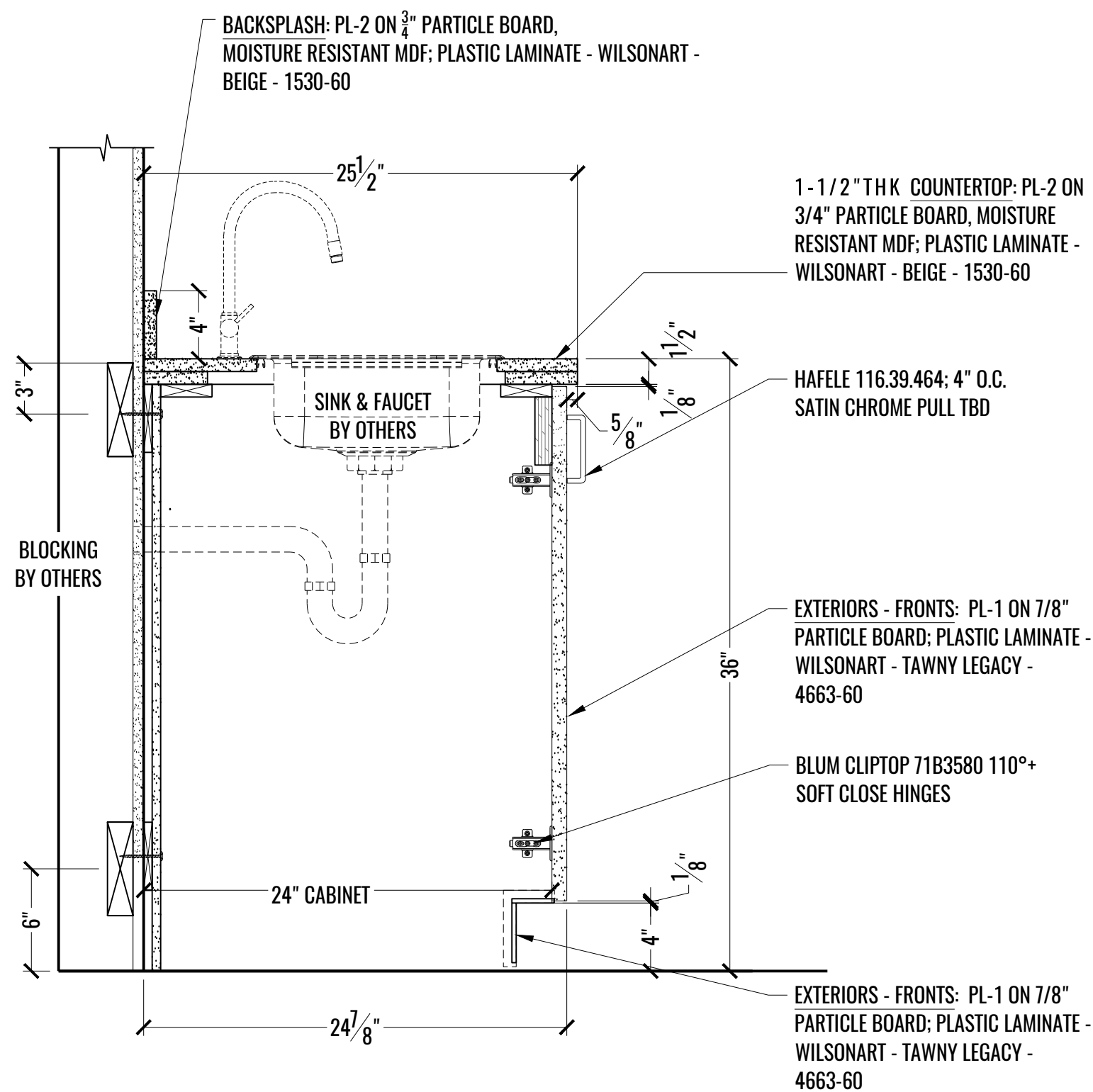
1
 9 ELEVATION: MED ASS'T RM# 108 - RAISED WALL W/COUNTER & COUNTERTOP (BACK)
 SCALE: 1/2" = 1'-0"



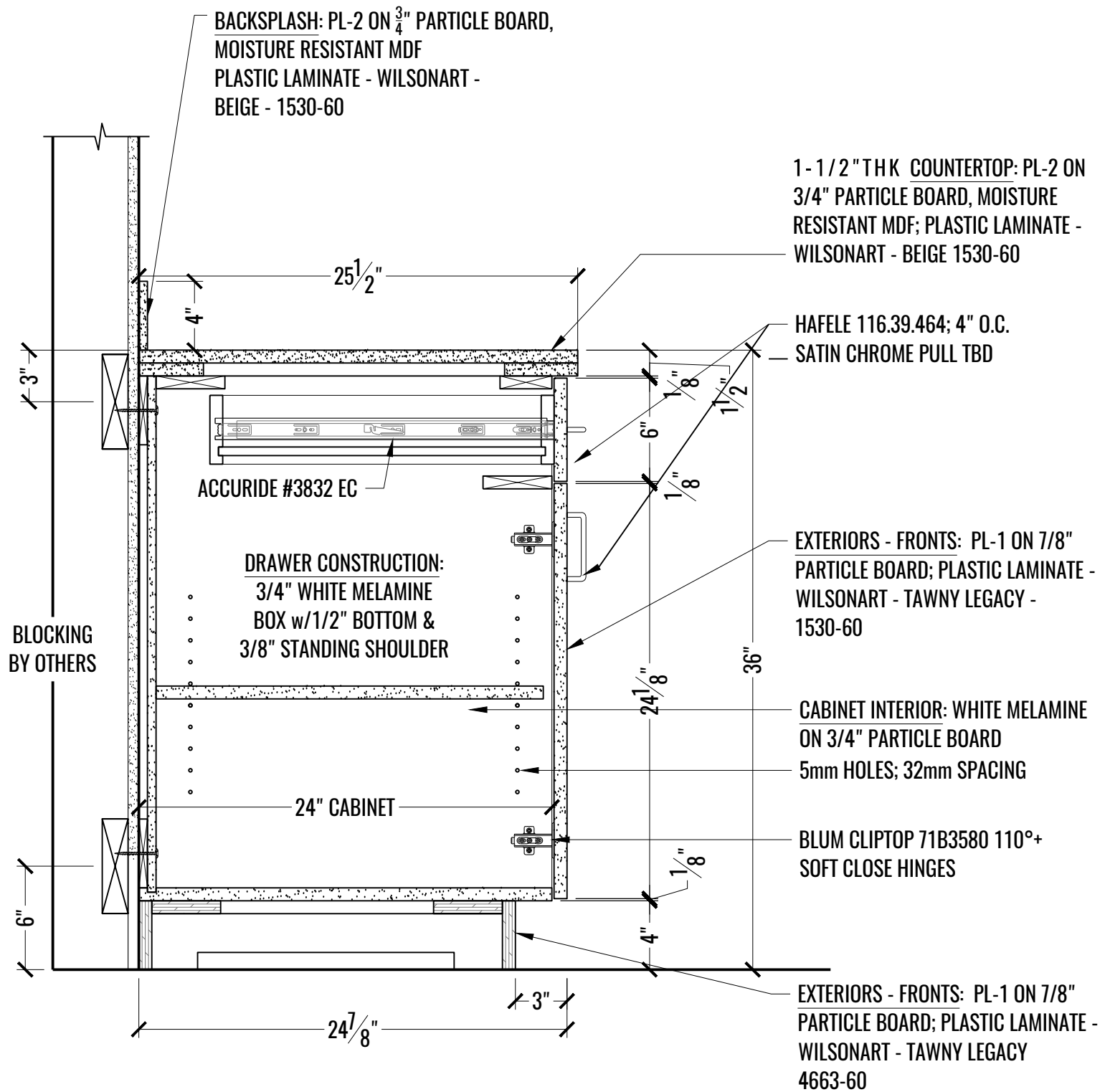
1
 10
 ELEVATION: MED ASS'T RM# 108 - RAISED WALL W/COUNTER & COUNTERTOP (SIDE)
 SCALE: 1/2" = 1'-0"



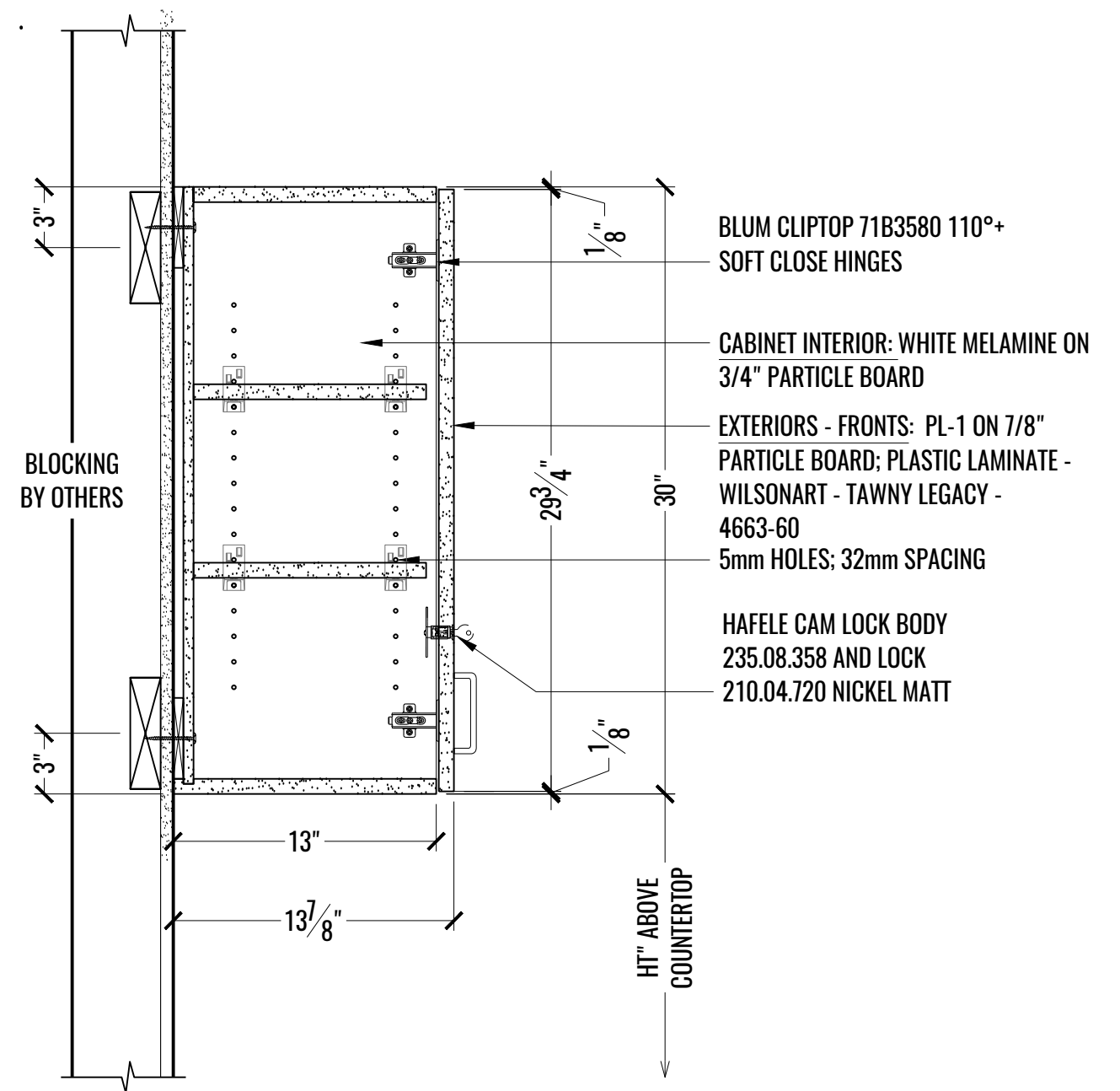
1 SECTION: EX WAITING RM - TRANSACTION TOP
A SCALE: 1-1/2" = 1'-0"



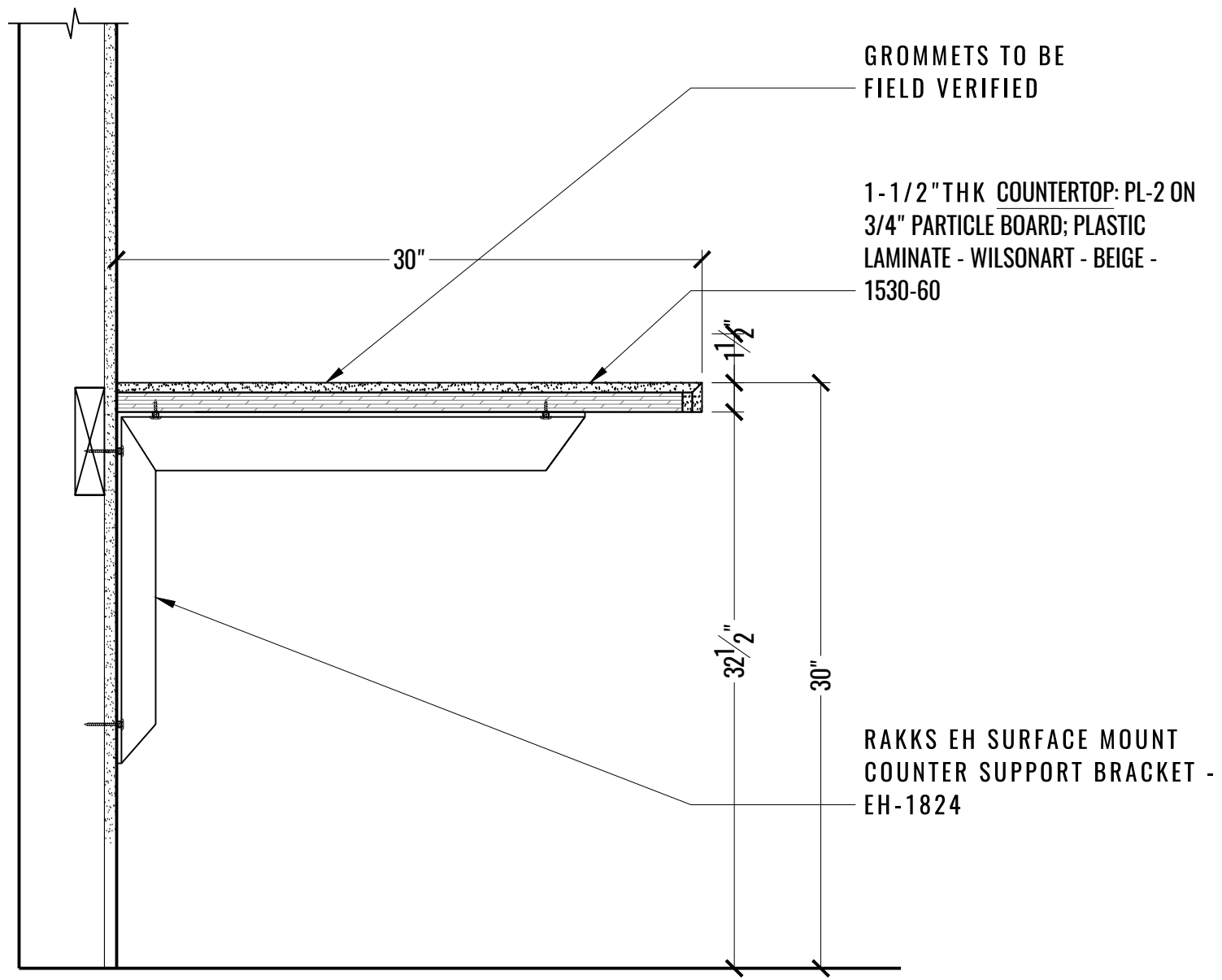
2 SECTION: LAB RM# 101 @ SINK
A SCALE: 1-1/2" = 1'-0"



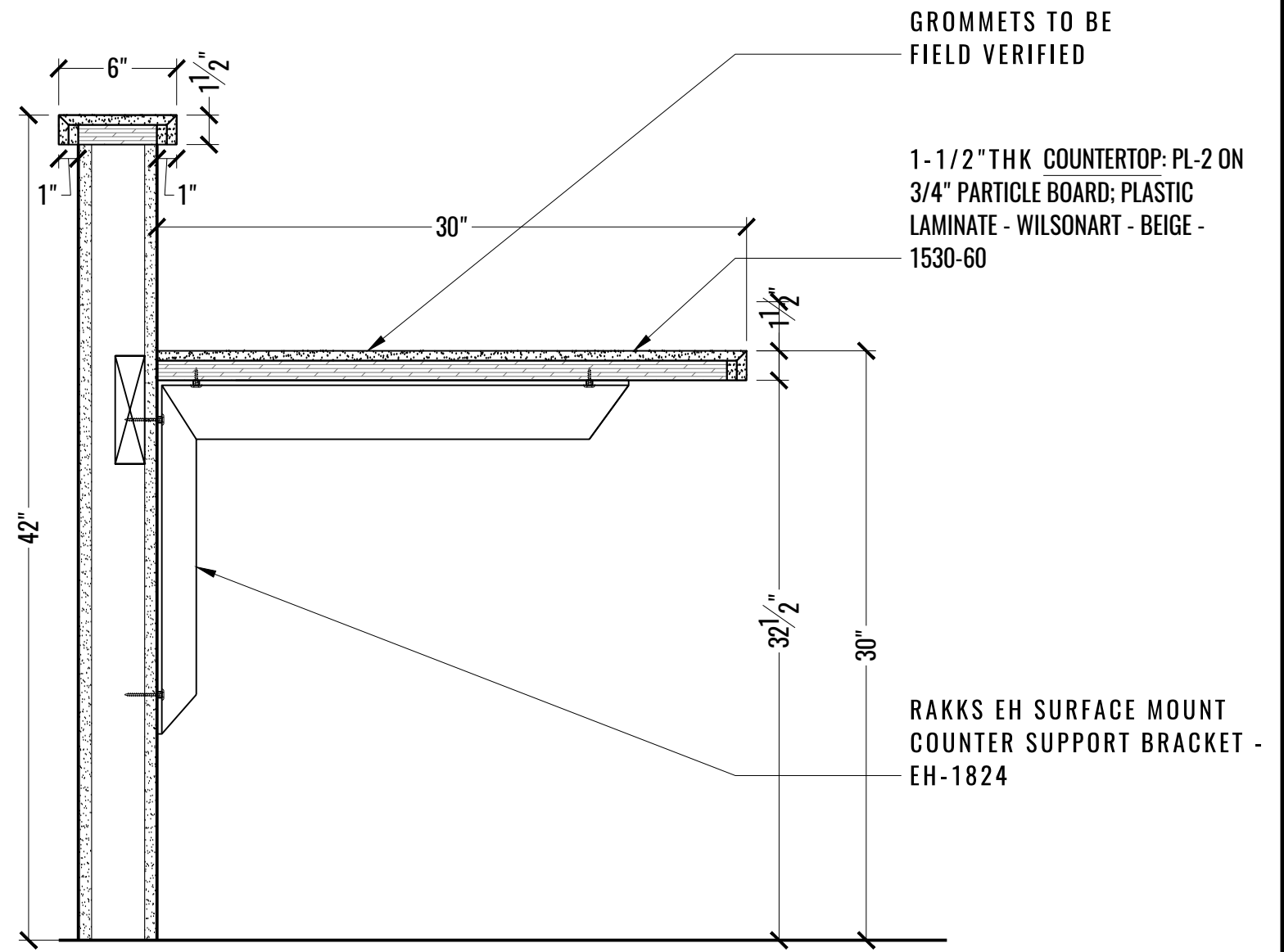
1 SECTION: LAB RM# 101 - BASE CABINETS
B SCALE: 1-1/2" = 1'-0"



2 SECTION: LAB RM# 1011 - CABINET UPPERS
B SCALE: 1-1/2" = 1'-0"



1 SECTION: OFFICE RM# 107 - COUNTERTOP
 C SCALE: 1-1/2" = 1'-0"



2 SECTION: MED ASS'T RM# 108 (FRONT)
 C SCALE: 1-1/2" = 1'-0"