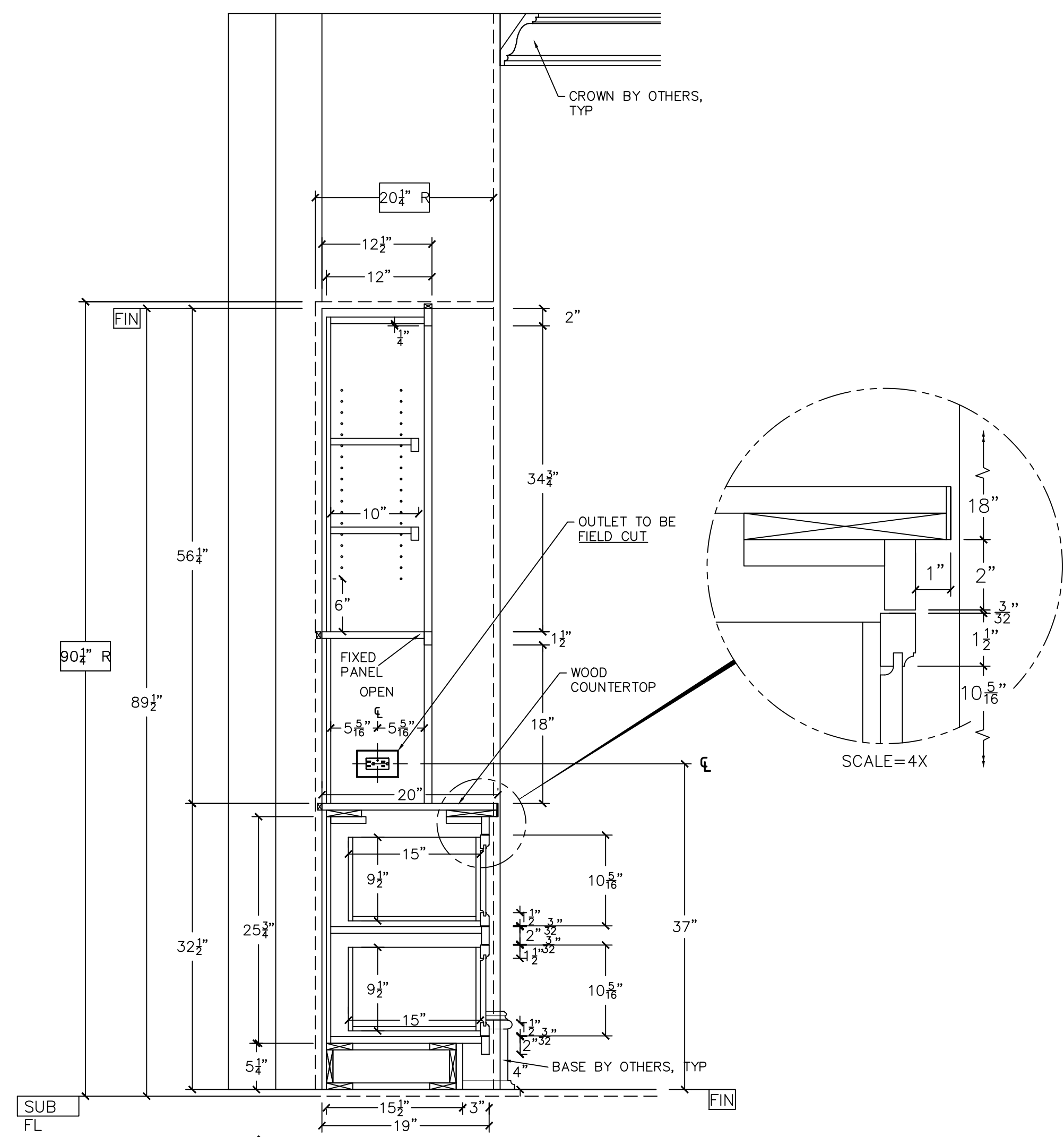


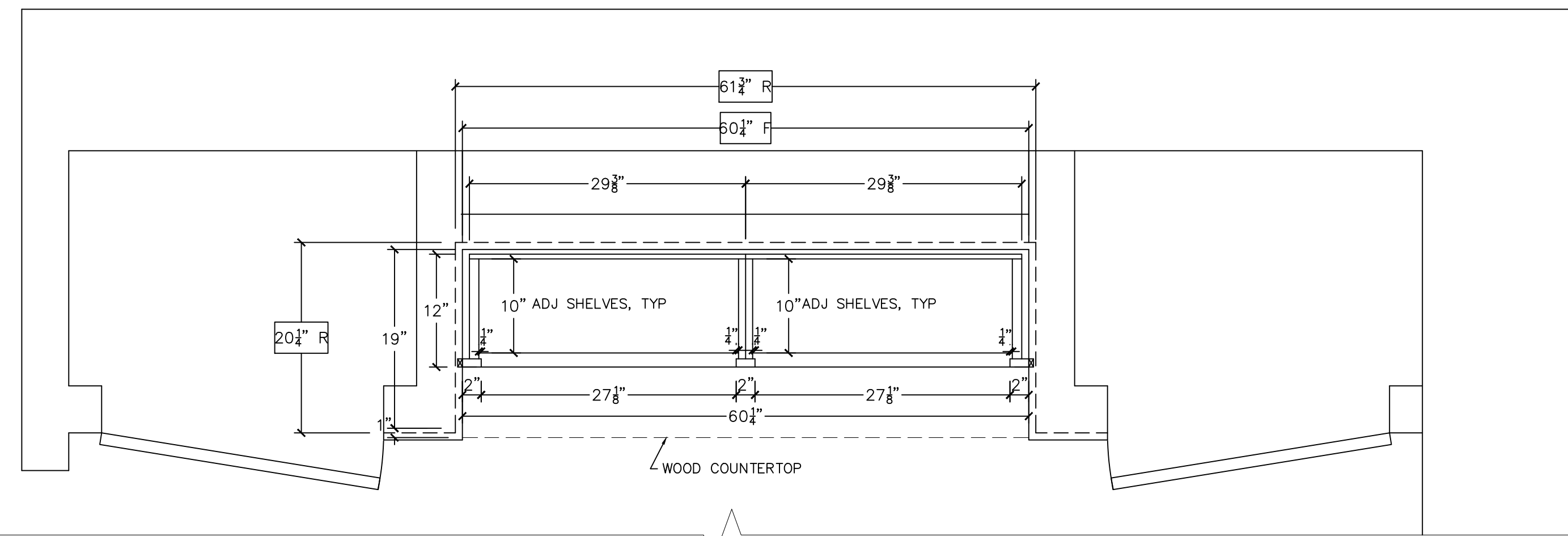
1
1 ELEVATION - BEDROOM RM# 401
SCALE: 1"=1'-0"
2/A-13
RECESSED FLUSH DRAWER PULL P.E. GUERIN #70920



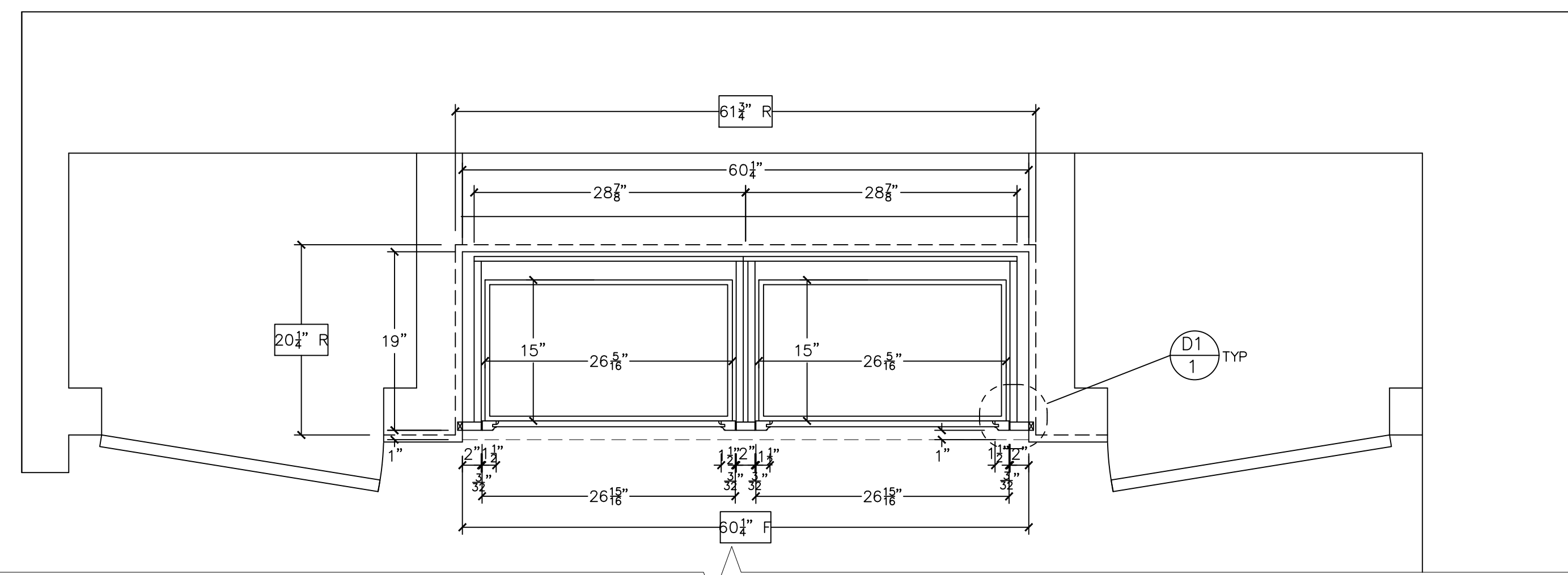
4
1 SECTION - BEDROOM RM# 401
SCALE: 1"=1'-0"
2/A-13

FINISHES :
EXTERIOR: SHOP FINISHED PAINT GRADE
INTERIORS: 3/4" SOLID MAPLE INTERIORS (CLEAR FINISH)

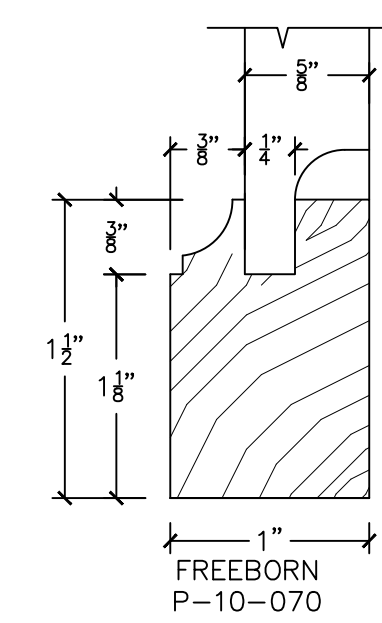
NOTES :
GC OR ARCHITECT SHALL PROVIDE THE FOLLOWING:
- ALL HARDWARE SPECIFICATIONS AND LOCATIONS



2
1 SECTION - BEDROOM RM# 401
SCALE: 1"=1'-0"
2/A-13



3
1 SECTION - BEDROOM RM# 401
SCALE: 1"=1'-0"
2/A-13



D1
1 DETAIL - DOOR PROFILE
SCALE: FULL