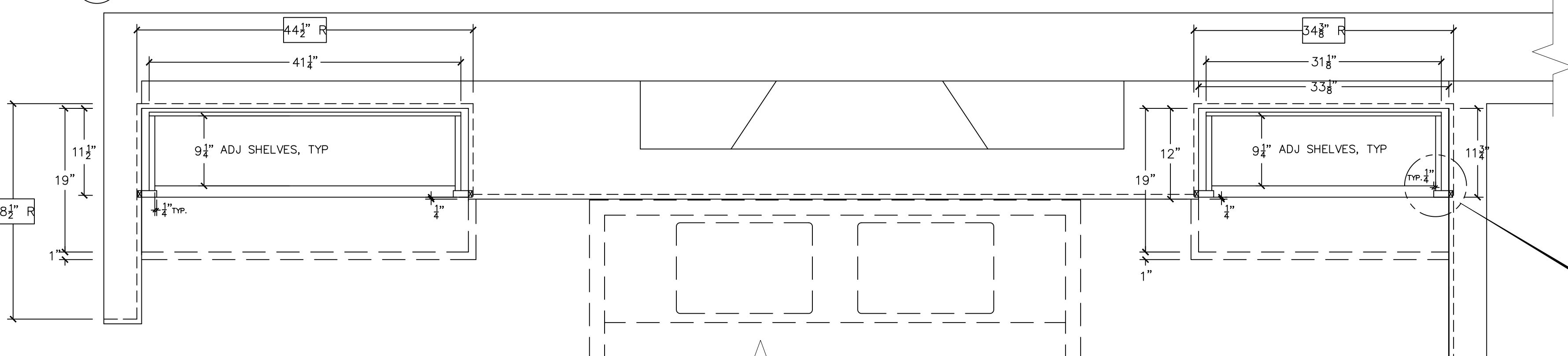
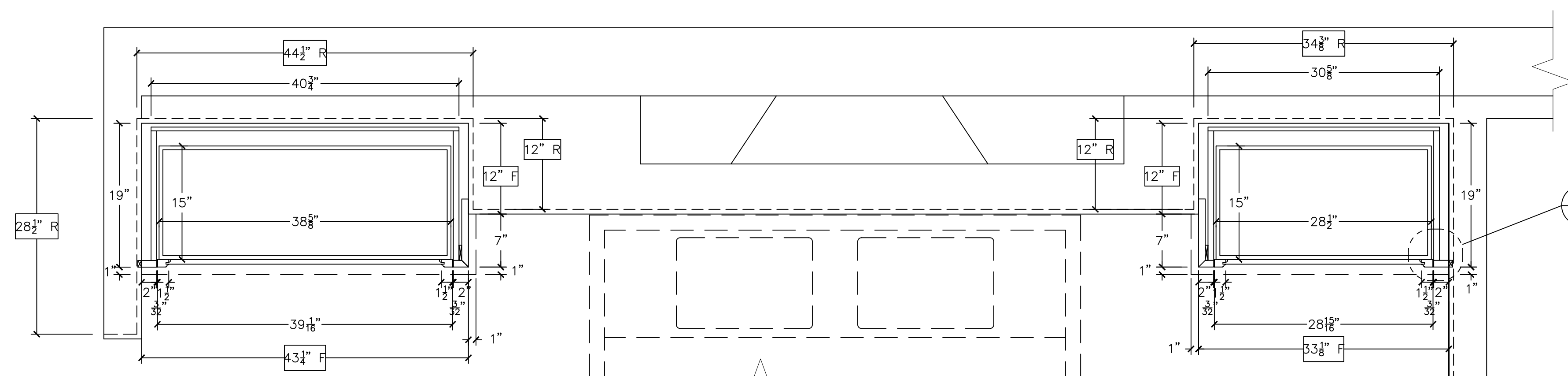


1 ELEVATION - BEDROOM RM# 410
SCALE: 1"=1'-0" 1/A-13

4 SECTION - BEDROOM RM# 410
SCALE: 1"=1'-0" 1/A-13



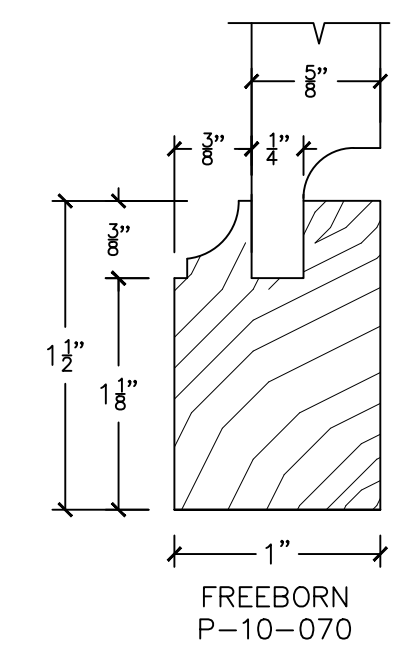
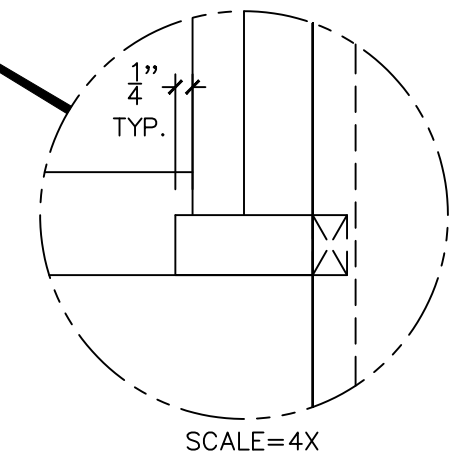
2 SECTION - BEDROOM RM#410
SCALE: 1"=1'-0" 1/A-13



3 SECTION - BEDROOM RM# 410
SCALE: 1"=1'-0" 1/A-13

FINISHES:
EXTERIOR: SHOP FINISHED PAINT GRADE
INTERIORS: 1/2" SOLID MAPLE INTERIORS (CLEAR FINISH)

NOTES:
GC OR ARCHITECT SHALL PROVIDE THE FOLLOWING:
- ALL HARDWARE SPECIFICATIONS AND LOCATIONS



D1 1 DETAIL - DOOR PROFILE
SCALE: FULL