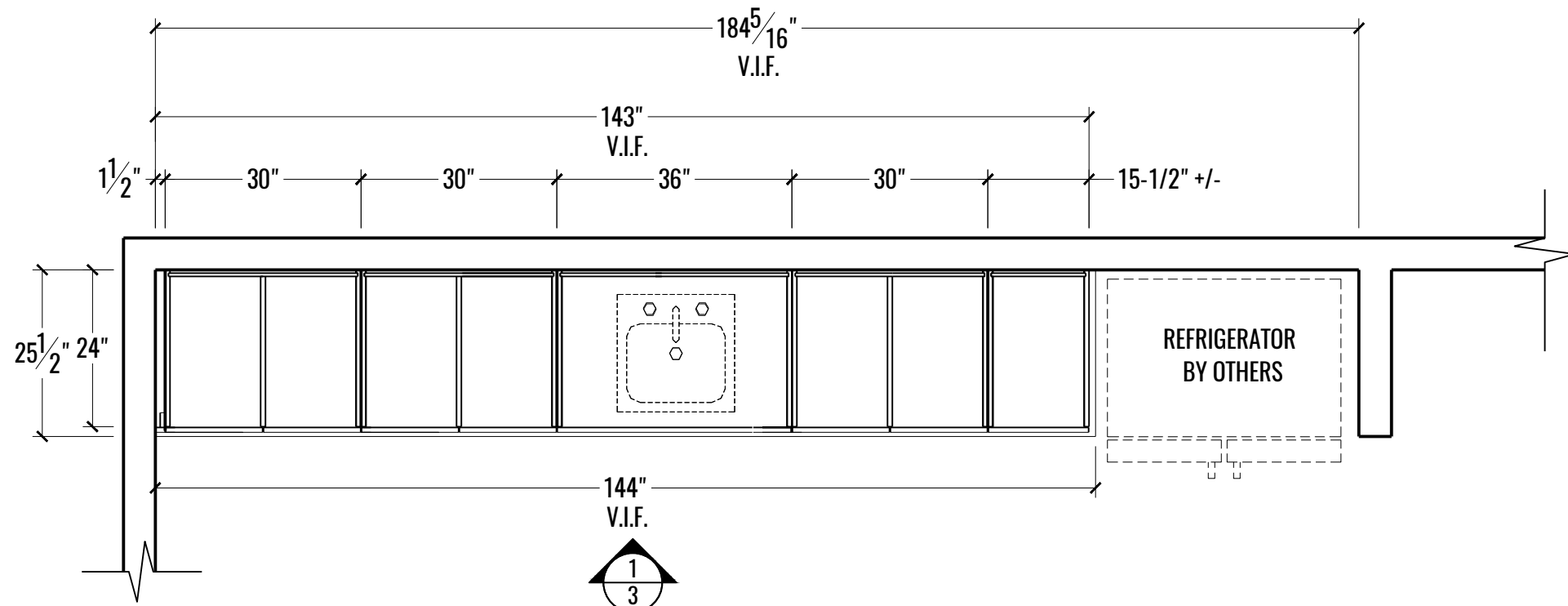
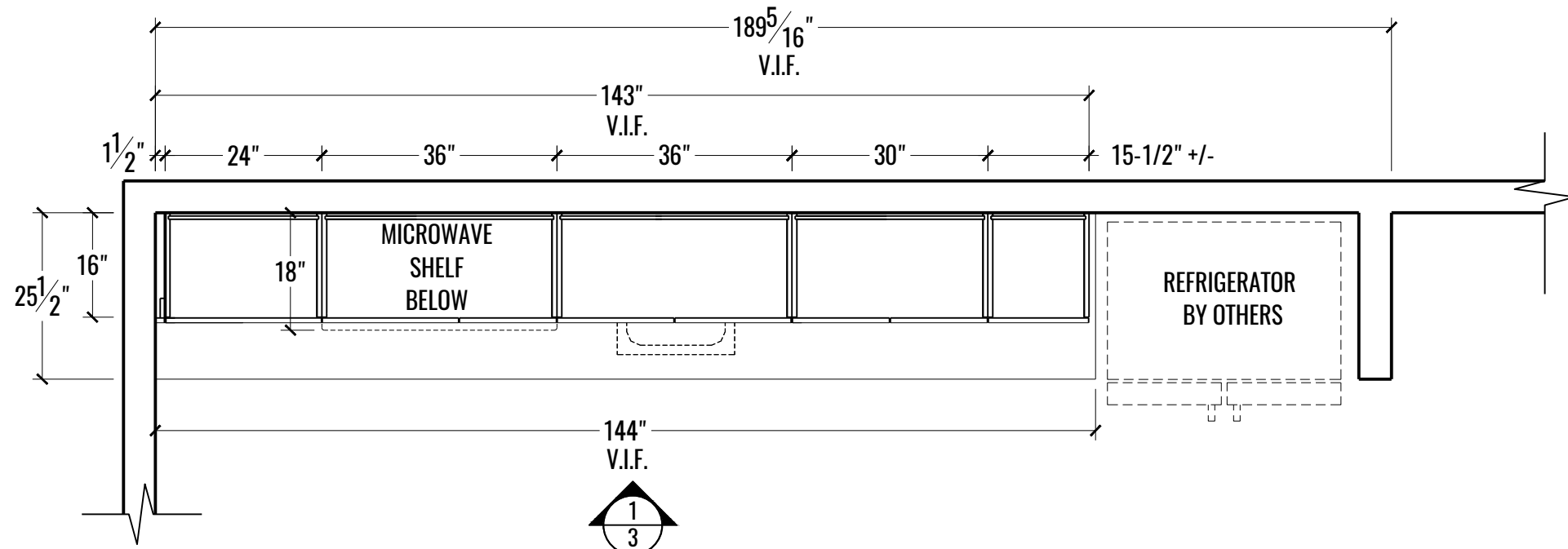


1 PLAN: PROJECT SCOPE - FIFTH FLOOR
1 SCALE: NOT TO SCALE



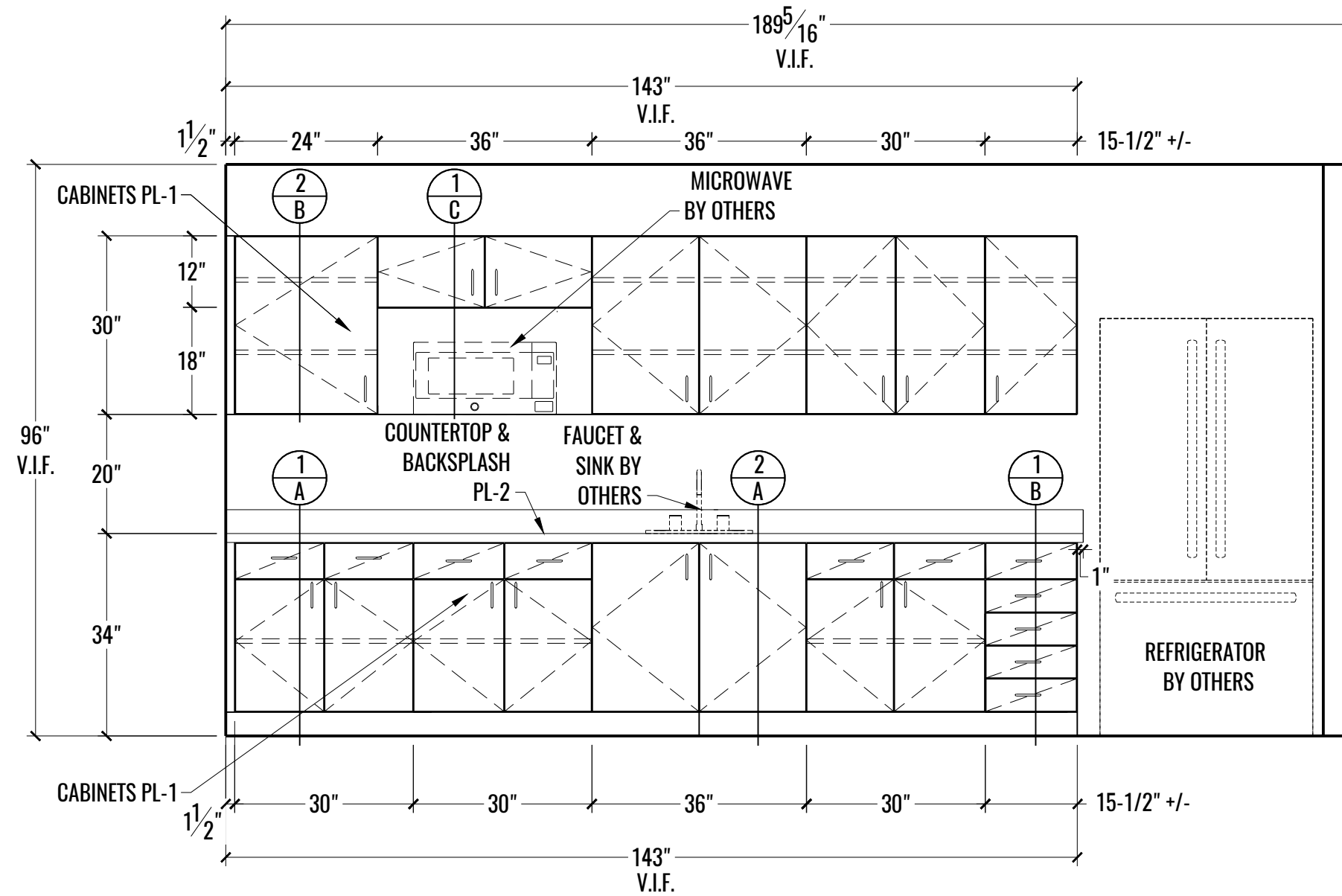
2 PLAN: BREAK RM# 103 - BASE CABINETS
 2 SCALE: 1/2" = 1'-0"

BREAK ROOM
 103

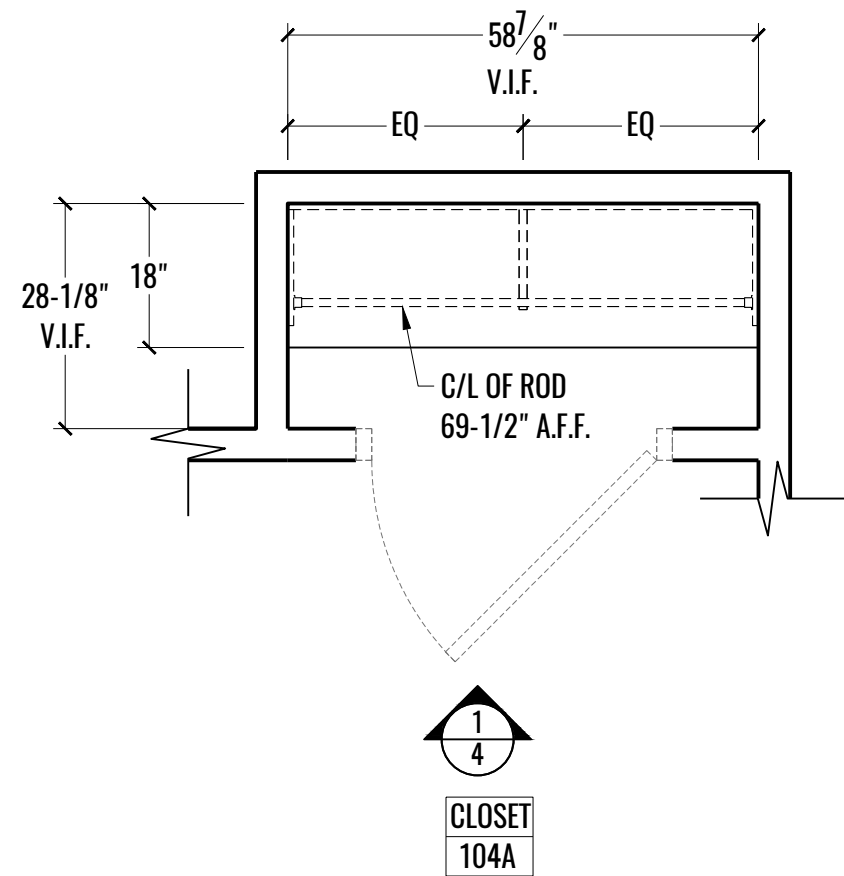


1 PLAN: BREAK RM# 103 - CABINET UPPERS
 2 SCALE: 1/2" = 1'-0"

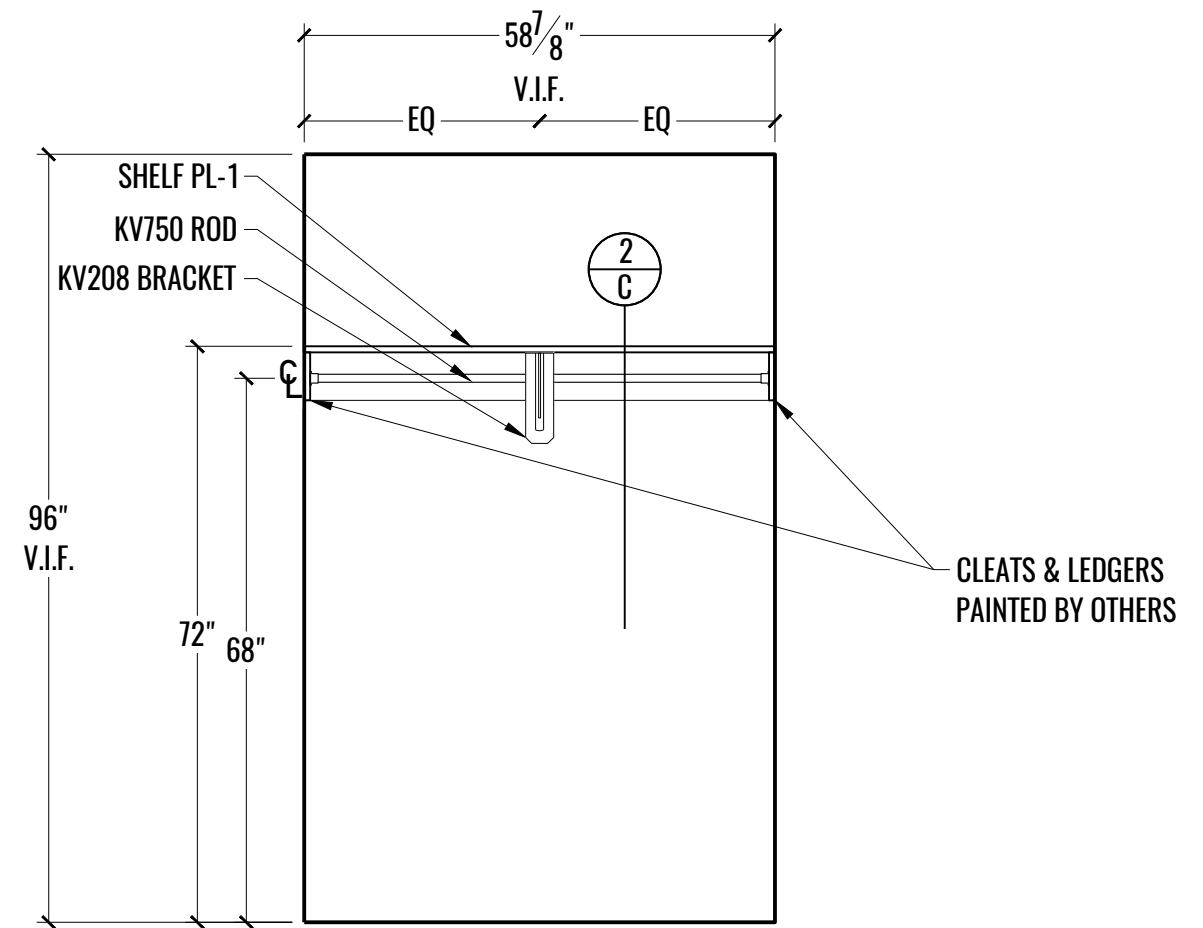
BREAK ROOM
 103



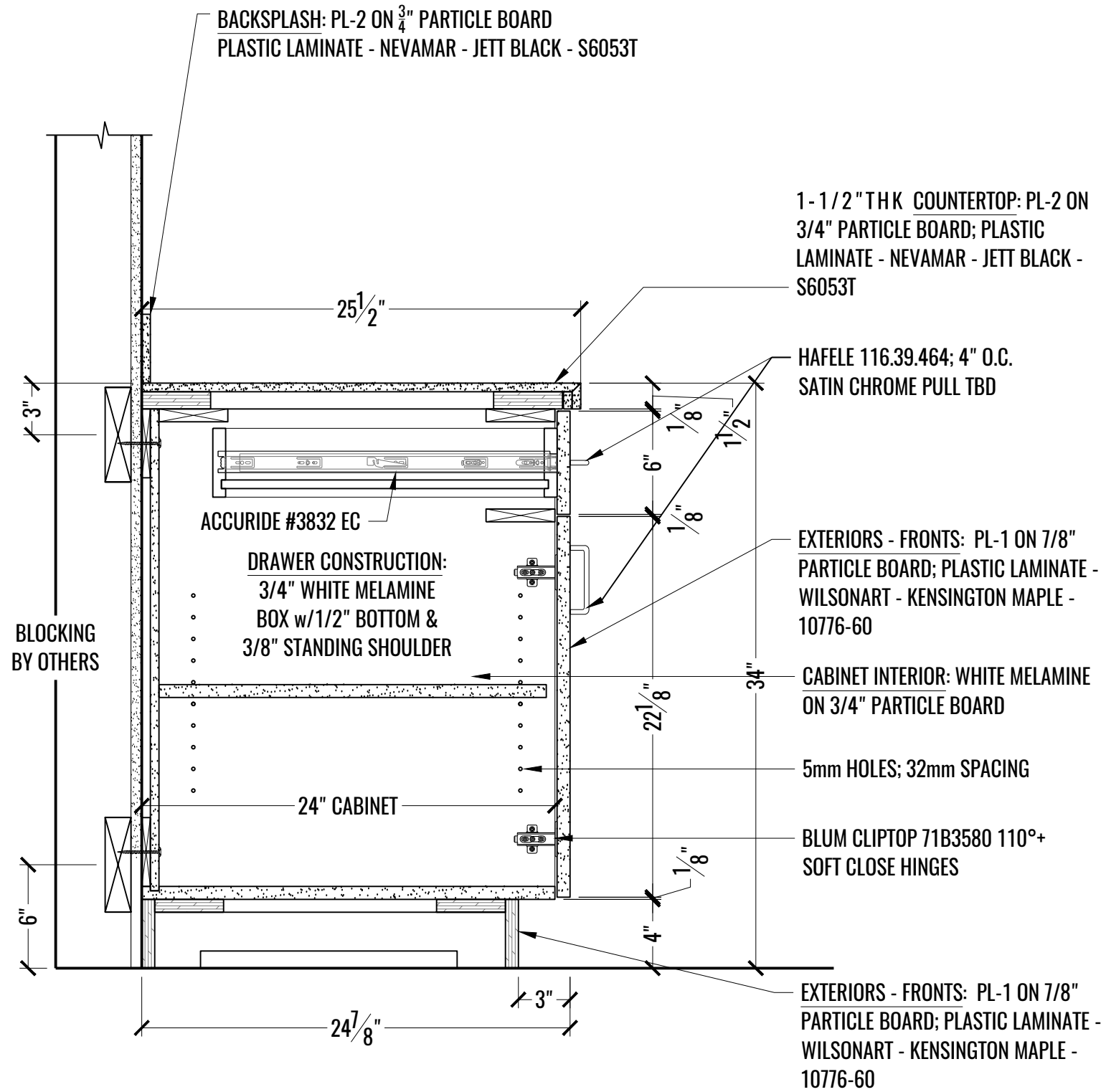
1 ELEVATION: BREAK RM# 103 - BASE CABINETS & UPPER CABINETS
 3 SCALE: 1/2" = 1'-0"



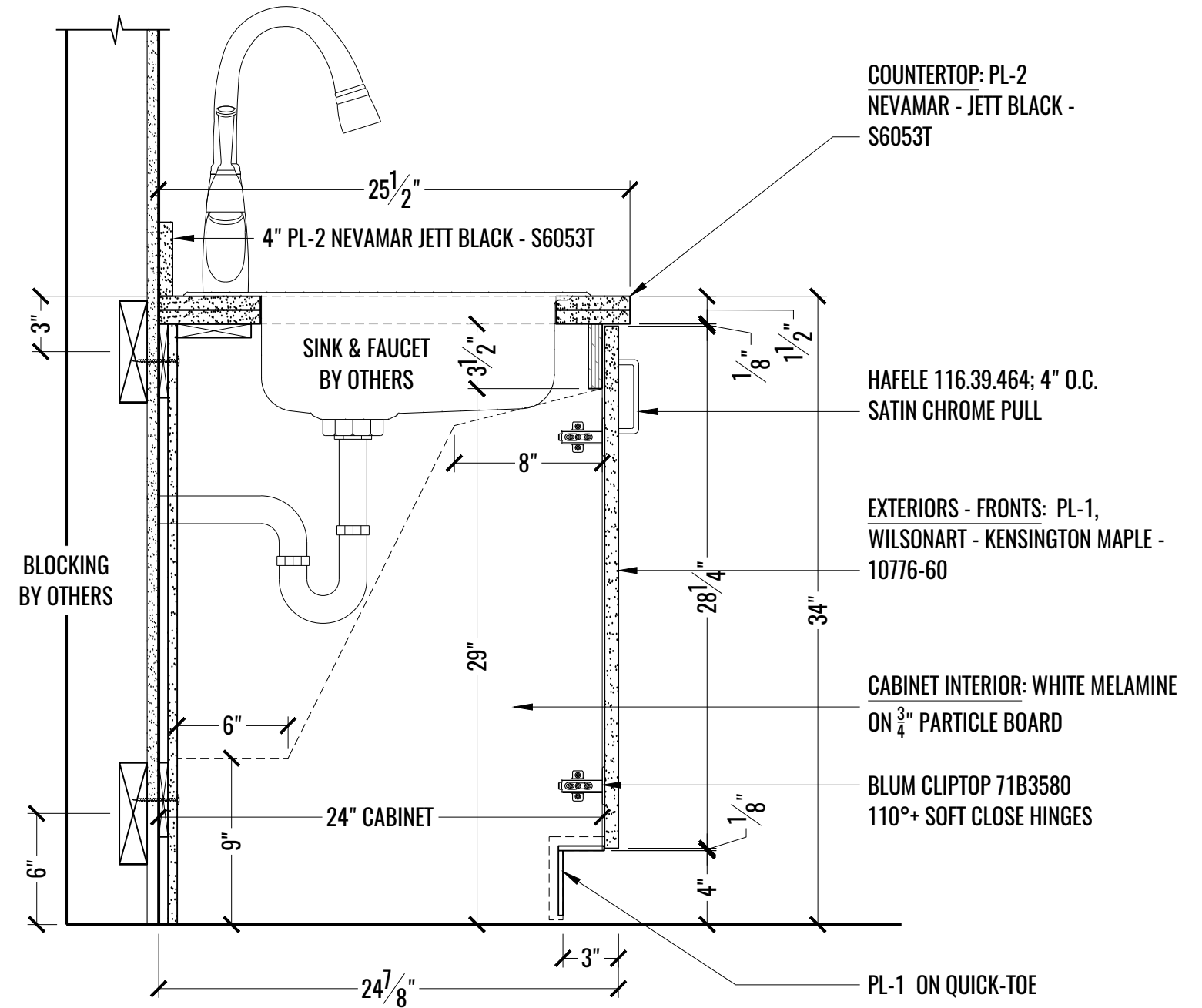
1 PLAN: CLOSET RM# 104A - SHELF & ROD
4 SCALE: 1/2" = 1'-0"



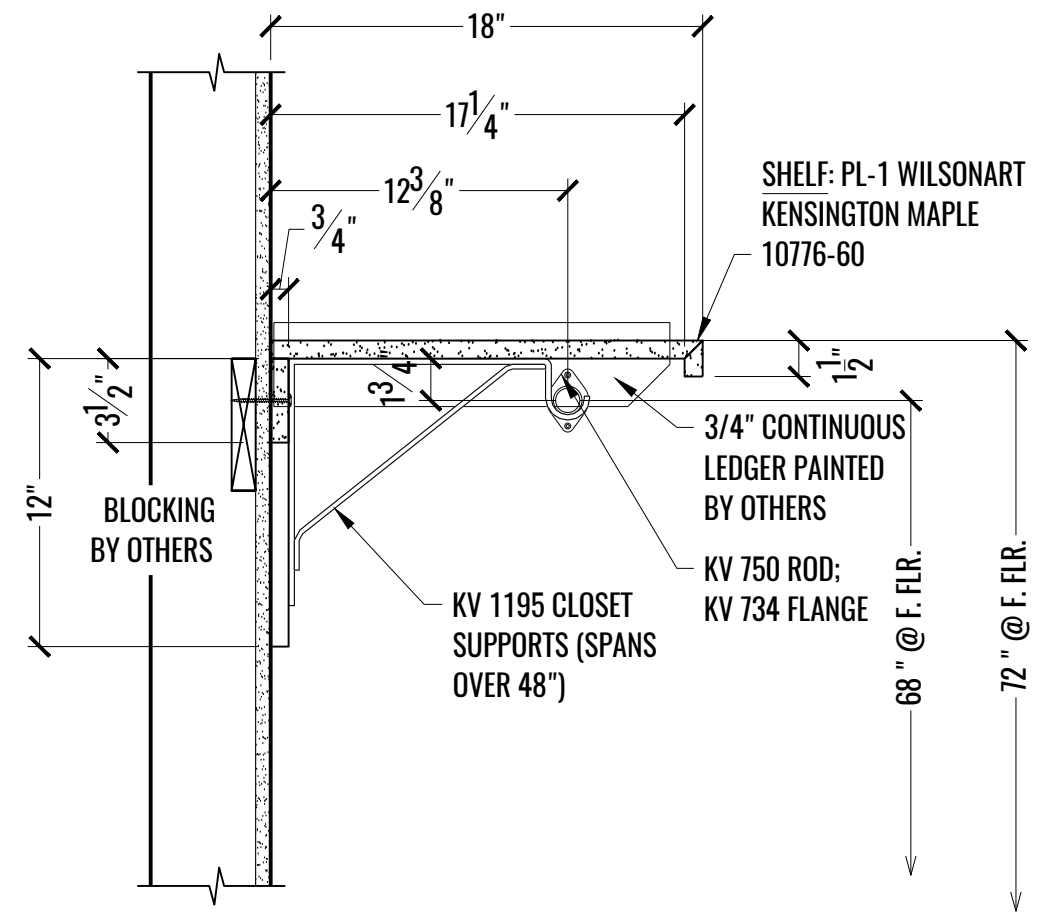
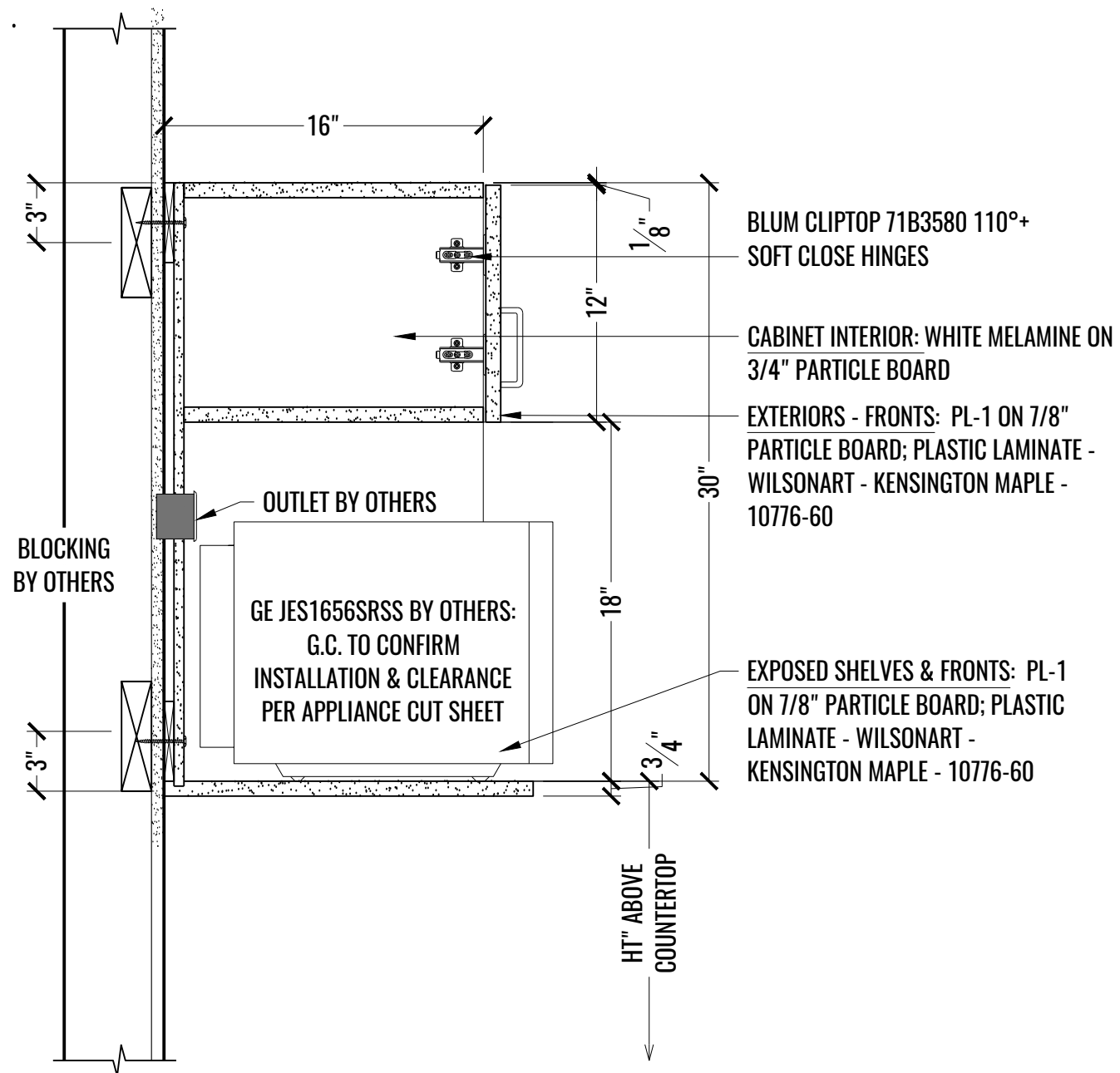
2 ELEVATION: CLOSET RM# 104A - SHELF & ROD
4 SCALE: 1/2" = 1'-0"



1 SECTION: BREAK RM# 103 - BASE CABINETS
A SCALE: 1-1/2" = 1'-0"



2 SECTION: BREAK RM# 103 - BASE CABINET @ SINK
A SCALE: 1-1/2" = 1'-0"



1 SECTION: BREAK RM# 103 - CABINET UPPERS @ MICROWAVE
 C SCALE: 1-1/2" = 1'-0"

2 SECTION: CLOSET RM# 104A - SHELF & ROD
 C SCALE: 1-1/2" = 1'-0"