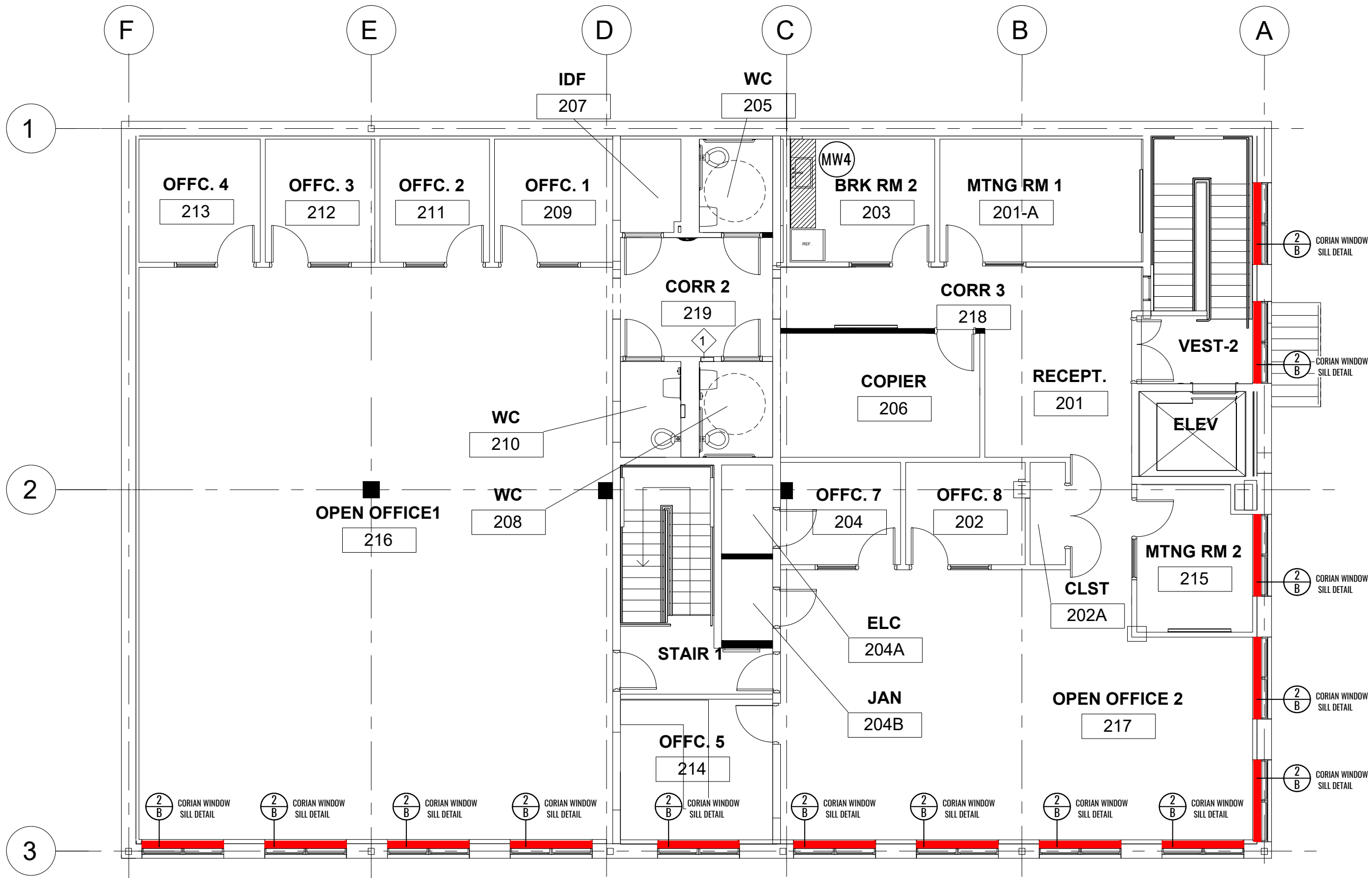
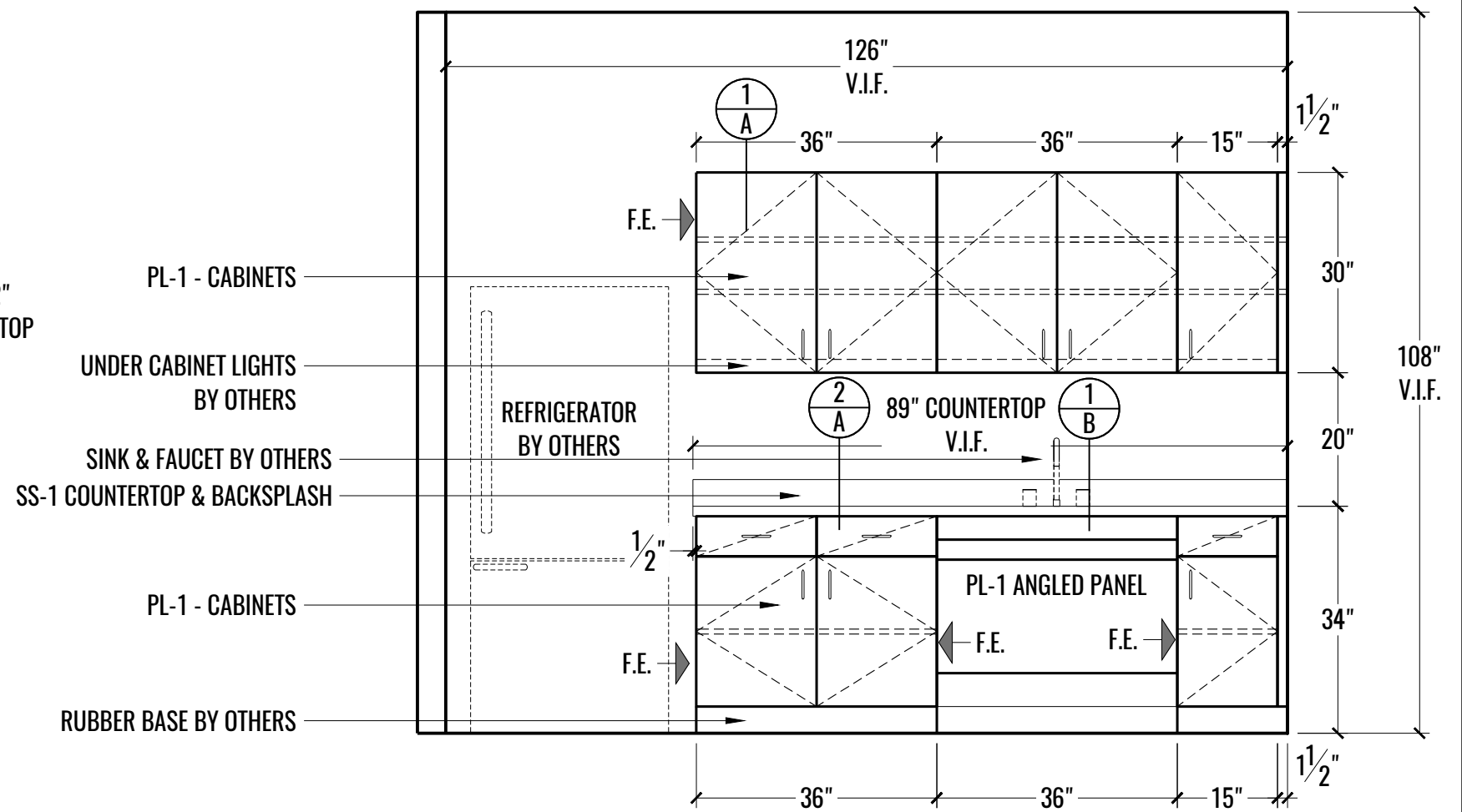
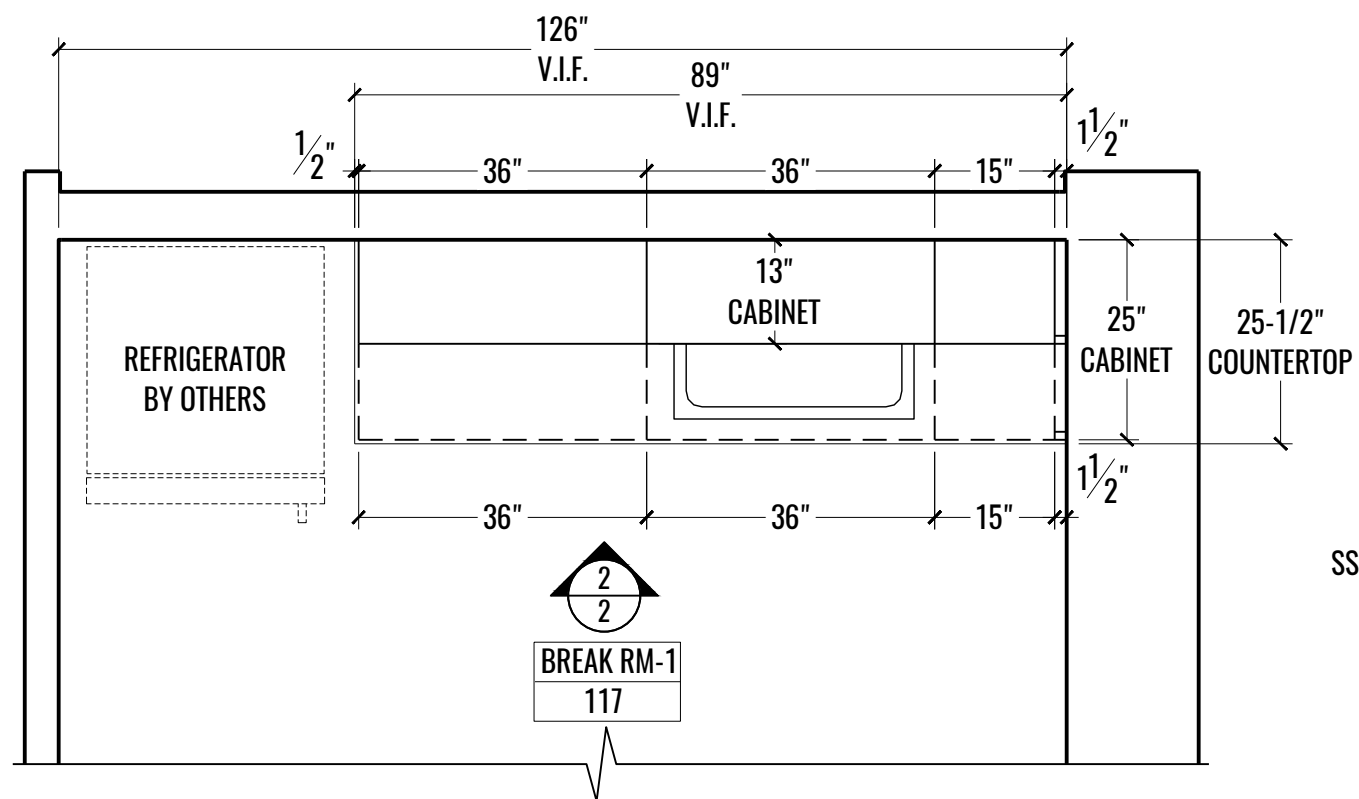


1 PLAN: PROJECT SCOPE - FIRST FLOOR
 1 SCALE: NOT TO SCALE

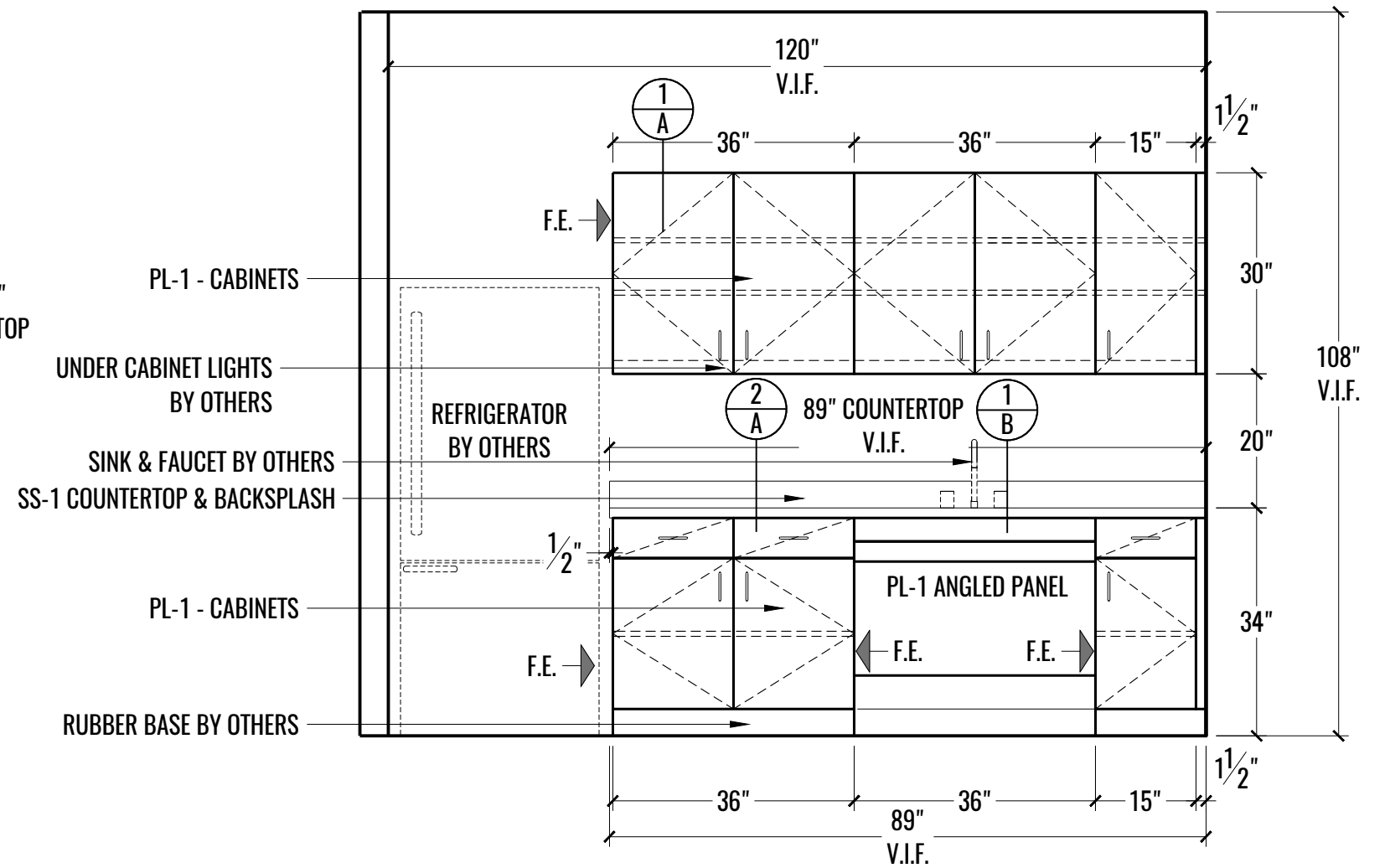
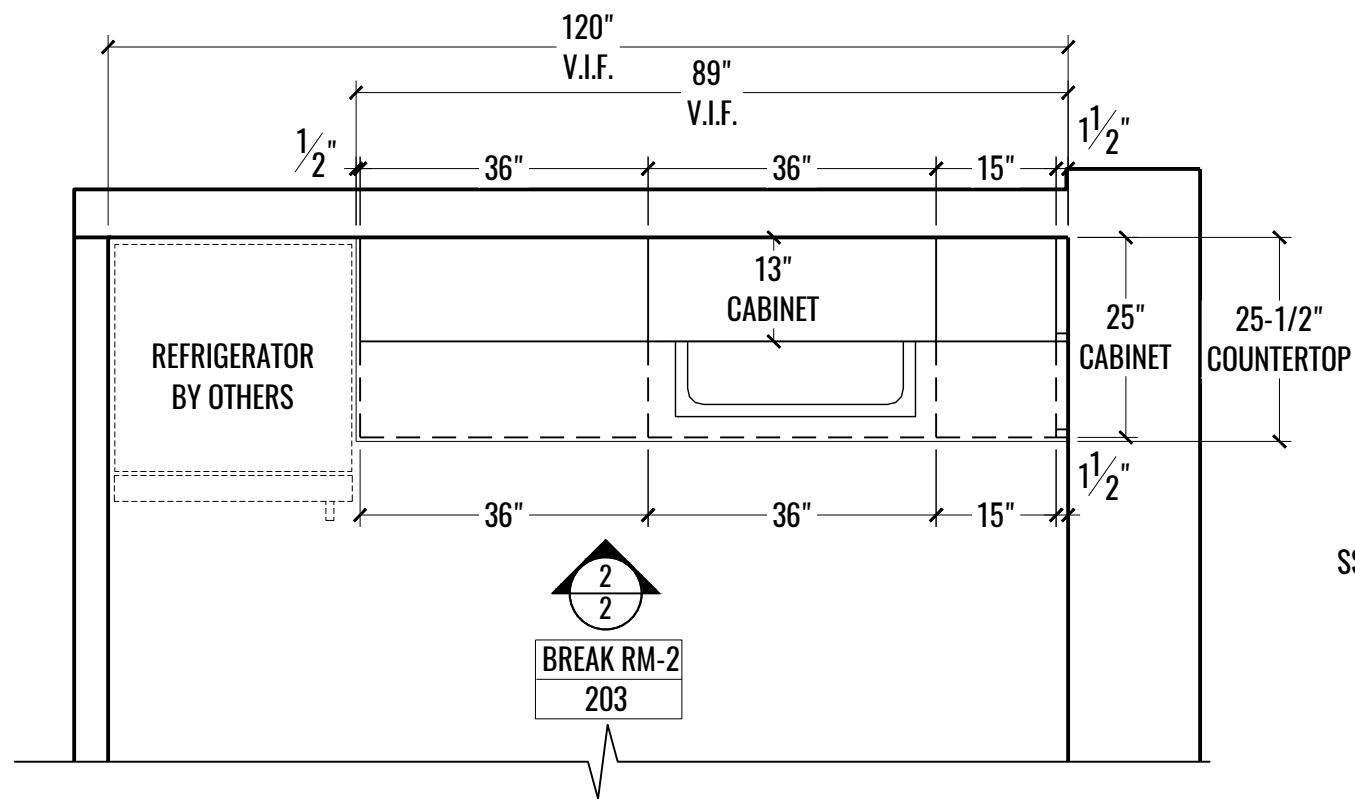


1 PLAN: PROJECT SCOPE - SECOND FLOOR
 2 SCALE: NOT TO SCALE



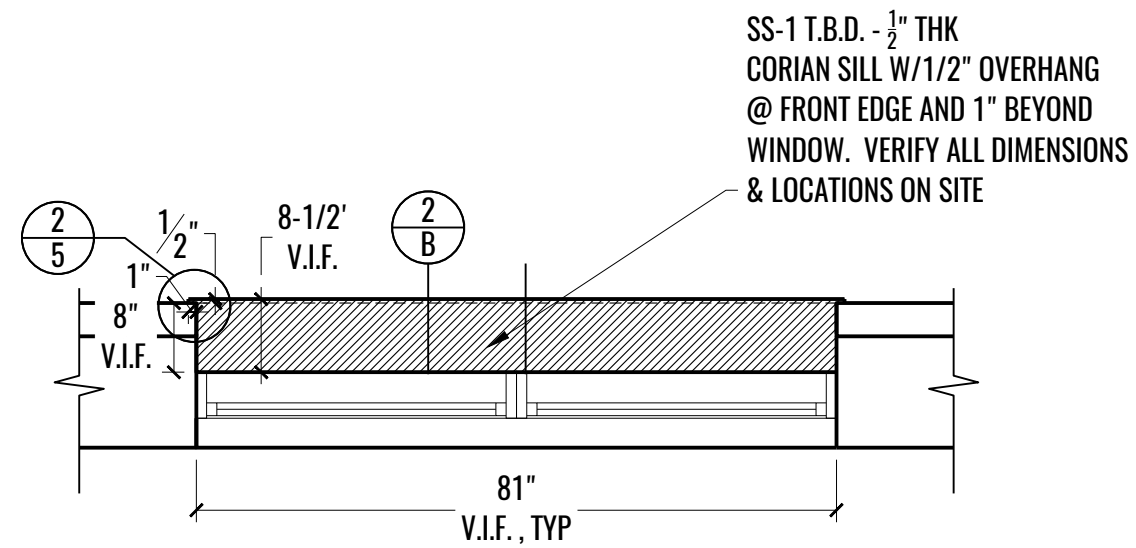
1 PLAN: BREAK RM# 117
3 SCALE: 1/2" = 1'-0"

2 ELEVATION: BREAK RM# 117
3 SCALE: 1/2" = 1'-0"

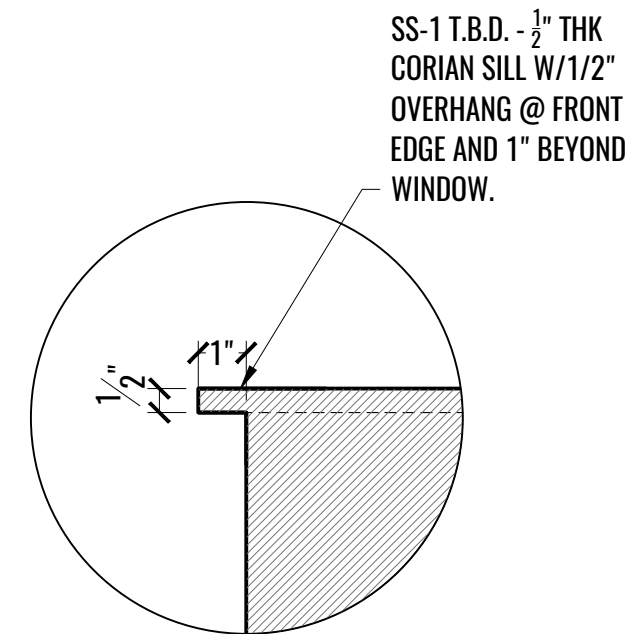


1 PLAN: BREAK RM# 203
4 SCALE: 1/2" = 1'-0"

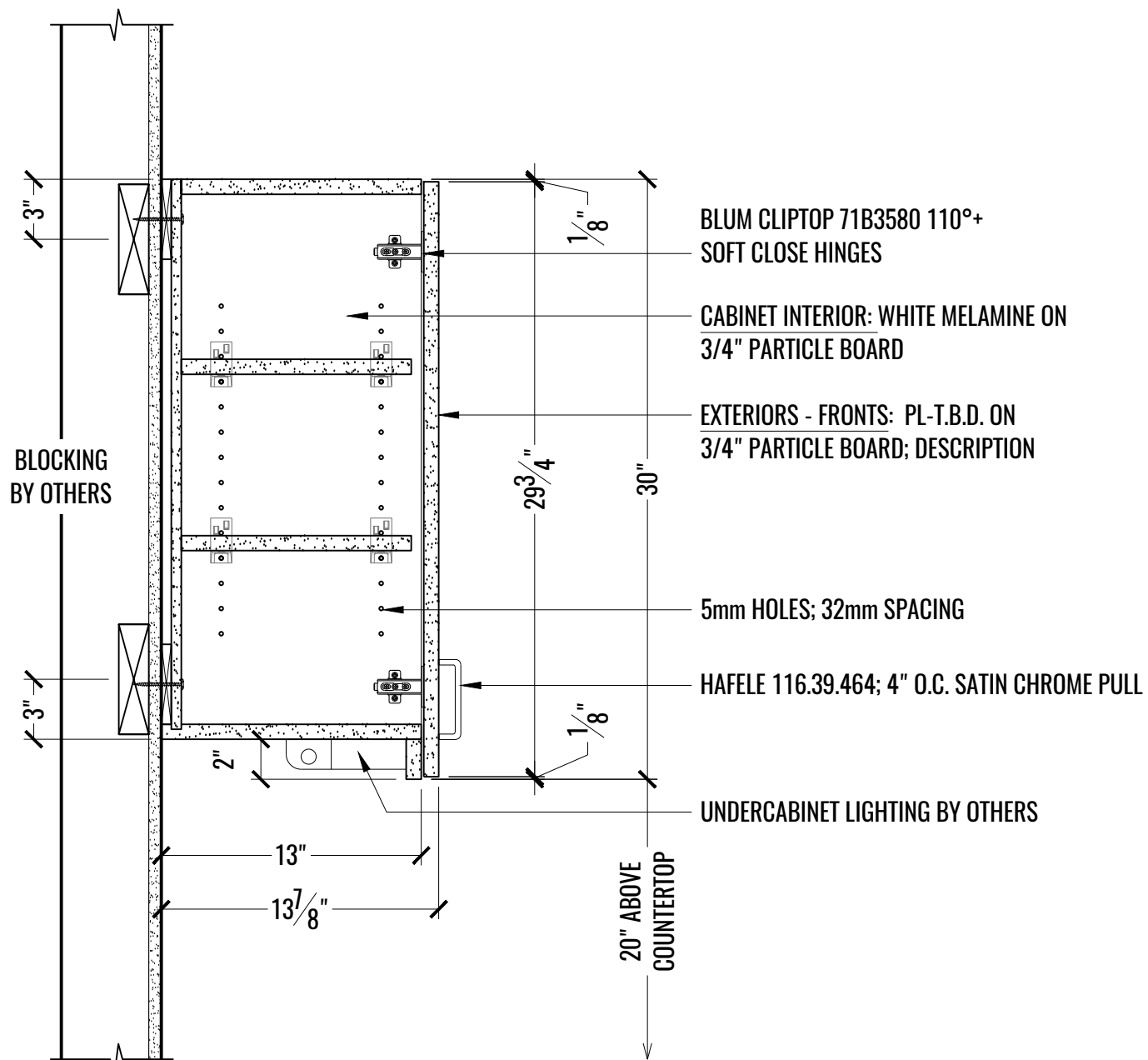
2 ELEVATION: BREAK RM# 203
4 SCALE: 1/2" = 1'-0"



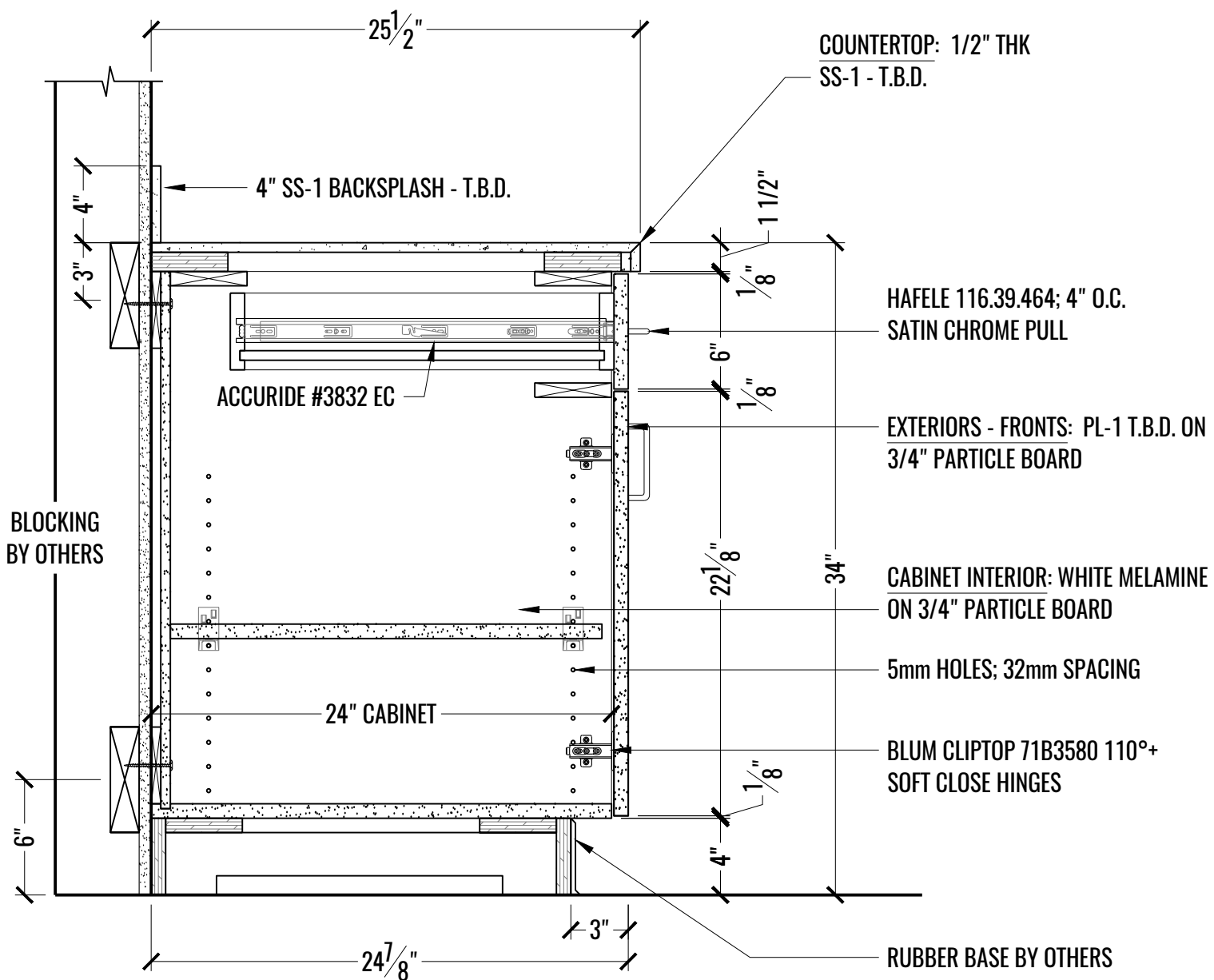
1/5 PLAN: WINDOW SILL
SCALE: 1/2" = 1'-0"



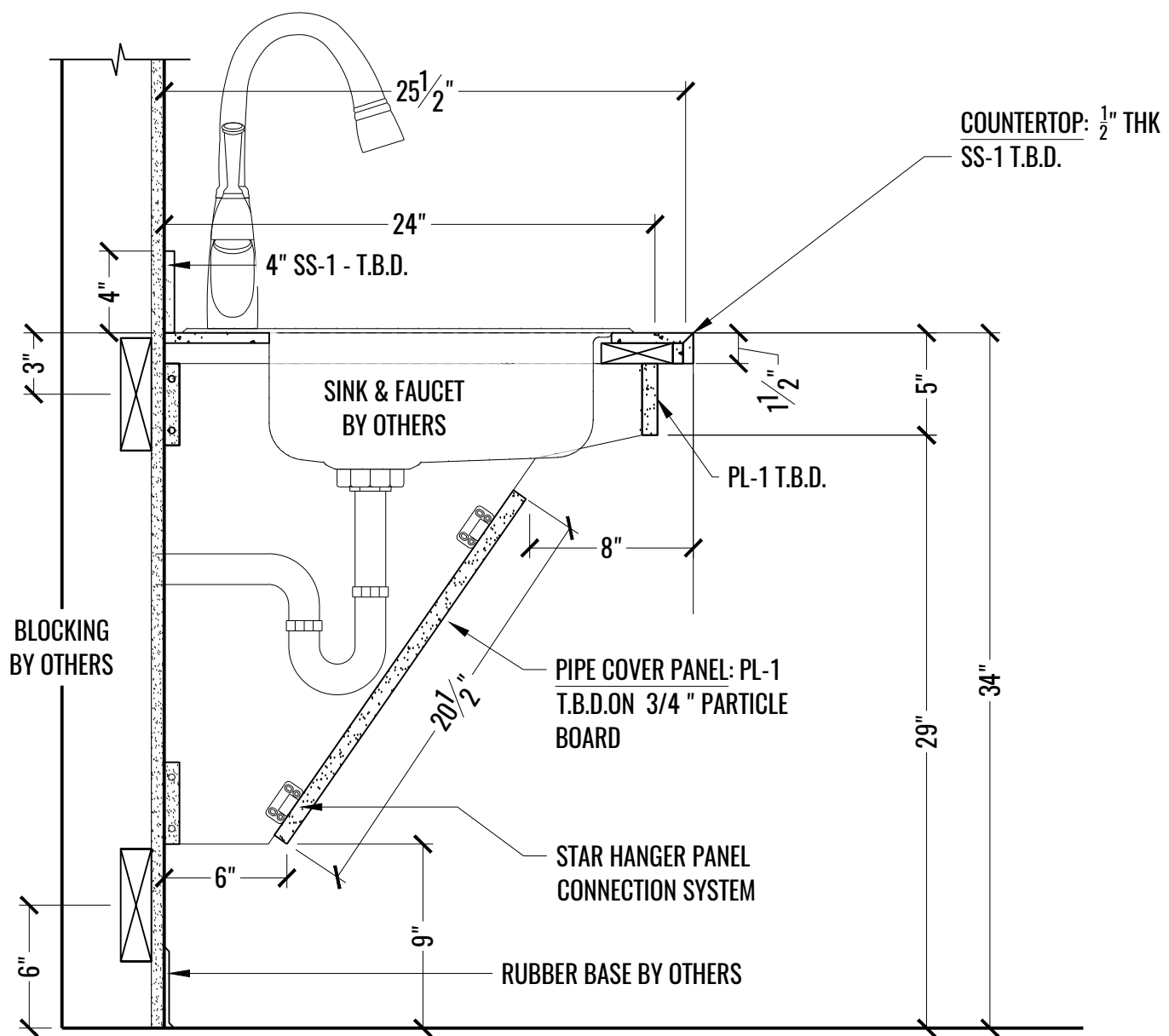
2/5 SECTION: CORIAN WINDOW SILL DETAIL @ OVERHANG
SCALE: 1-1/2" = 1'-0"



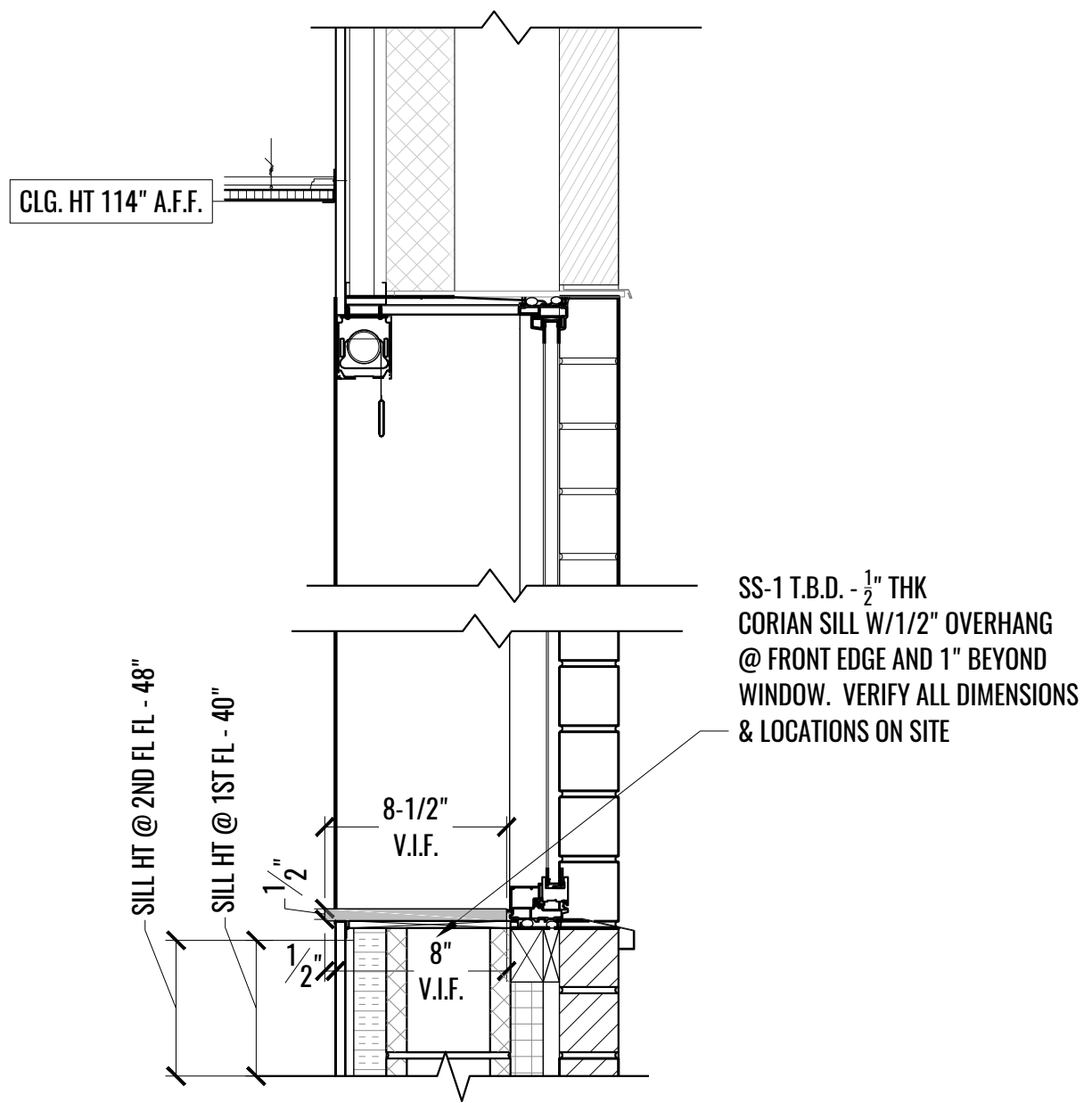
1 SECTION: UPPER CABINETS W/LIGHTS
A SCALE: 1-1/2" = 1'-0"



2 SECTION: BASE CABINETS
A SCALE: 1-1/2" = 1'-0"



1 SECTION: ADA SINK
 B SCALE: 1-1/2" = 1'-0"



2 SECTION: CORIAN WINDOW SILL DETAIL
 B SCALE: 1-1/2" = 1'-0"