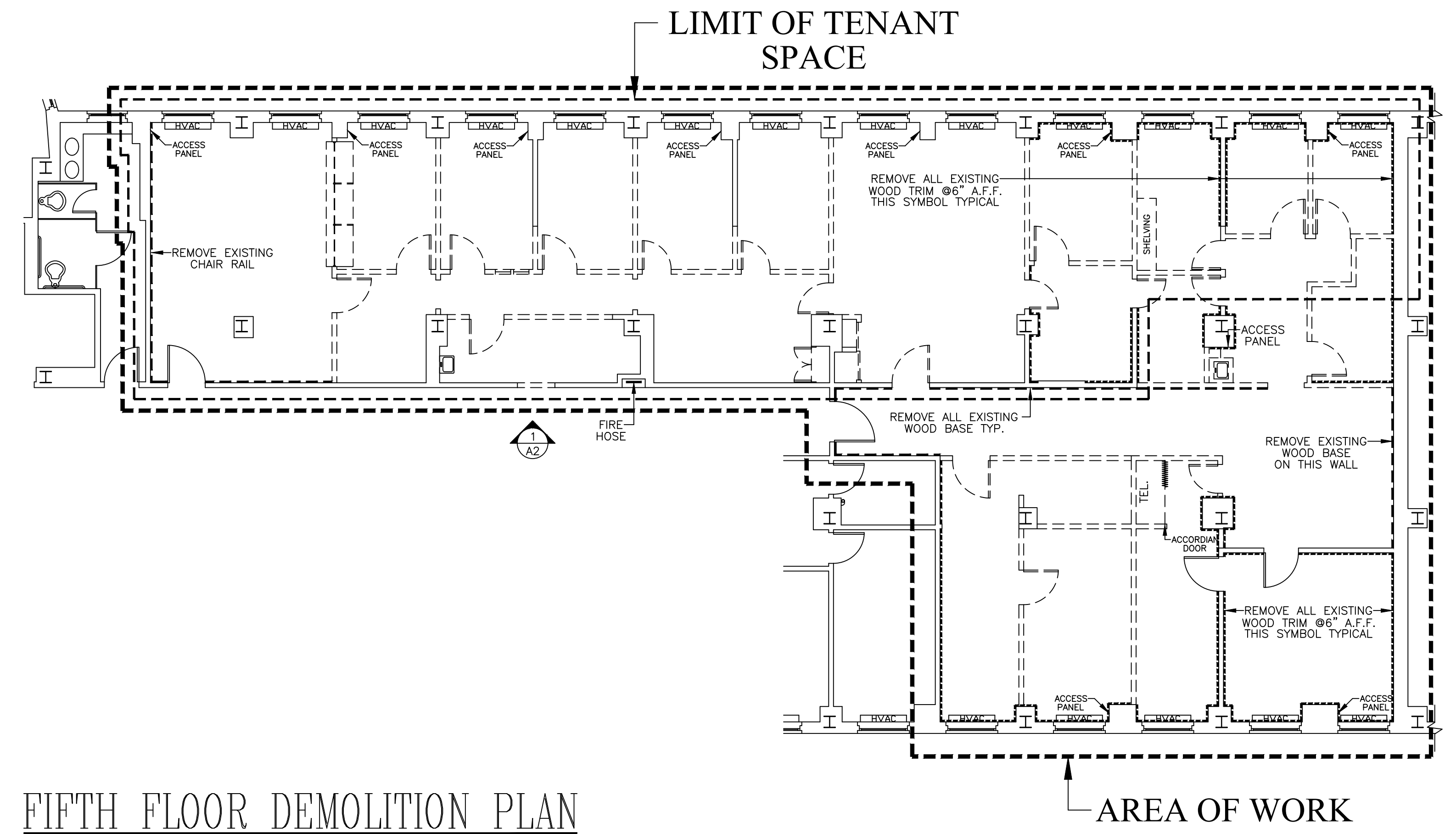
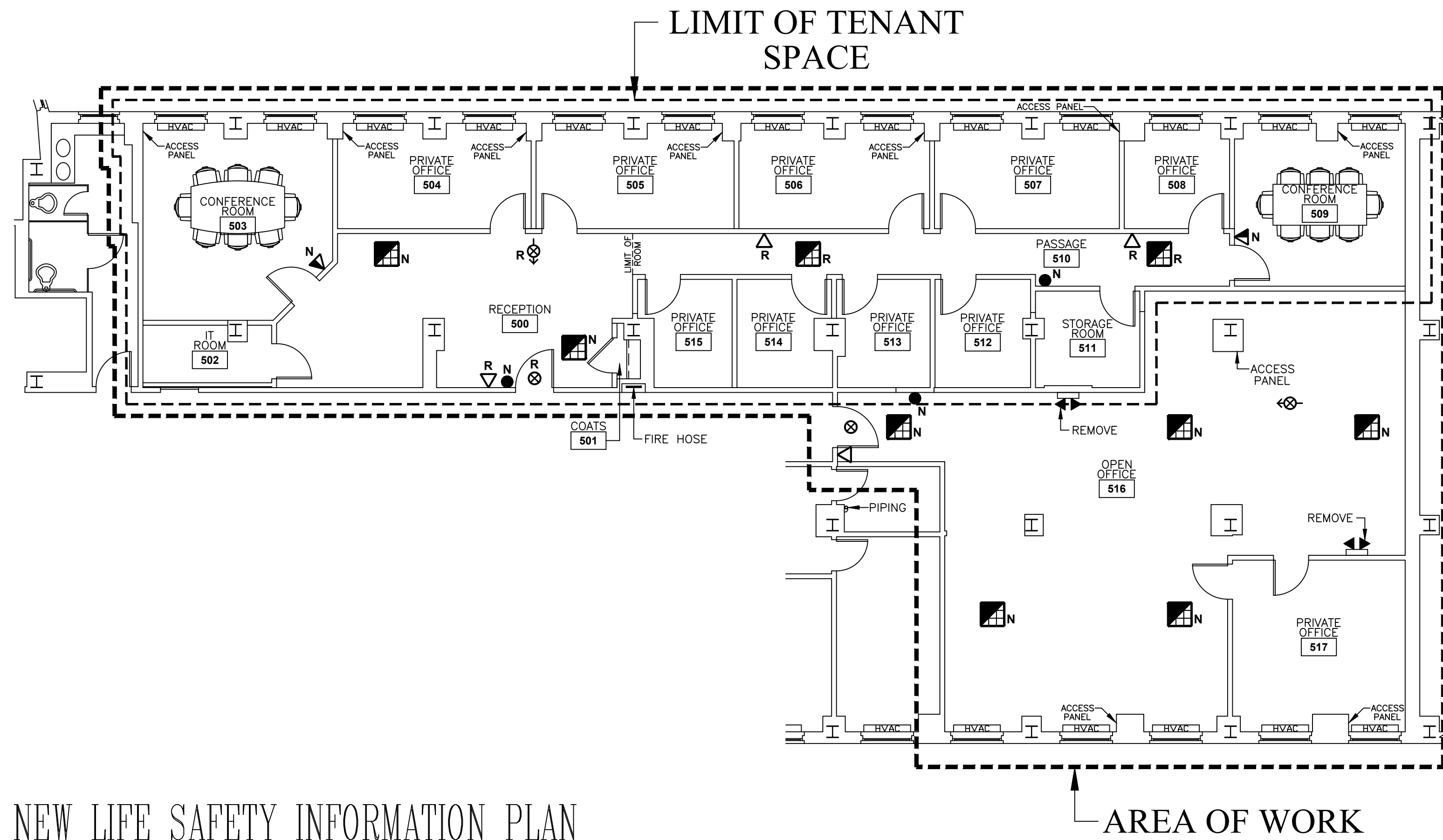


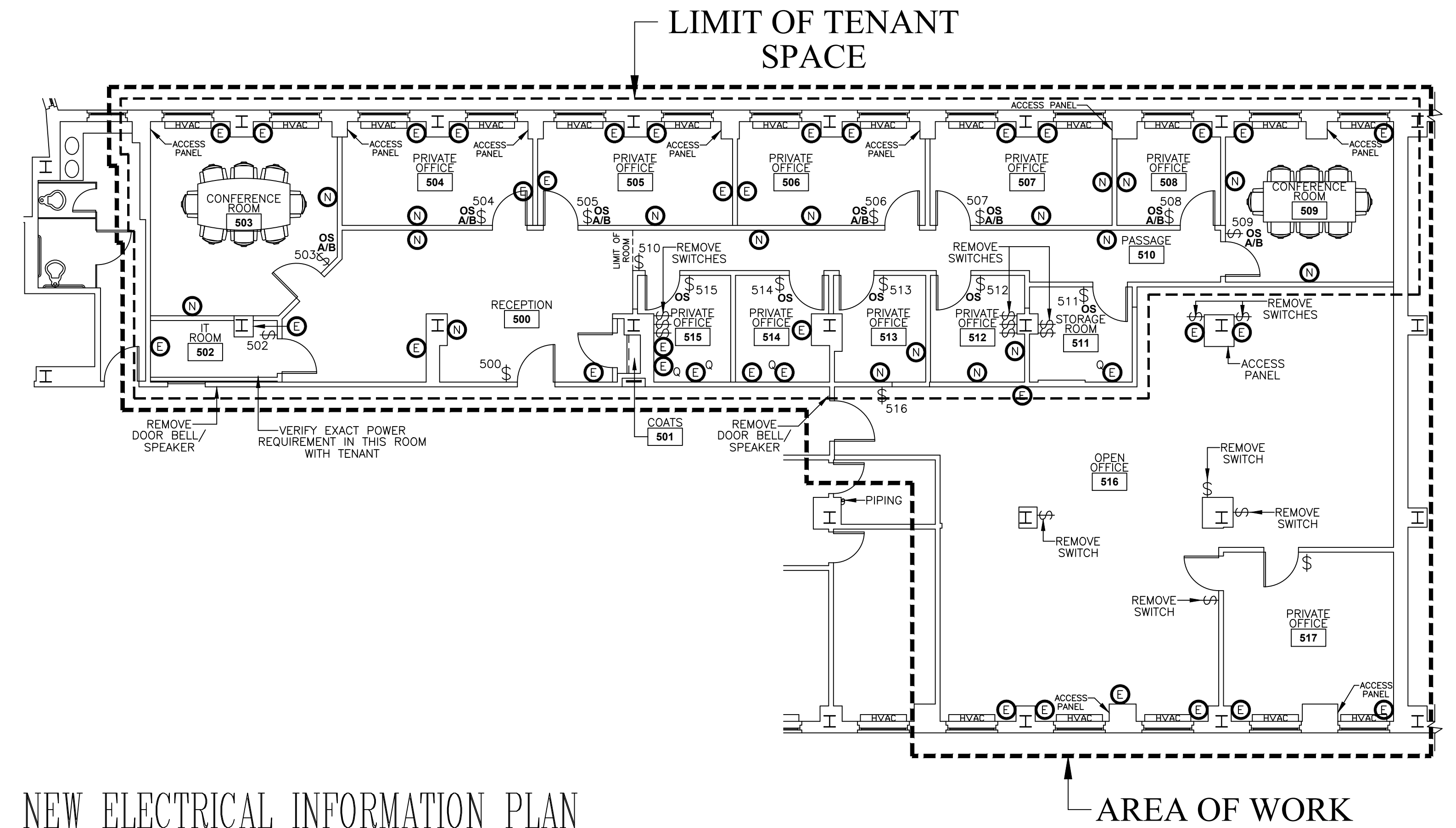
NEW FIFTH FLOOR PLAN



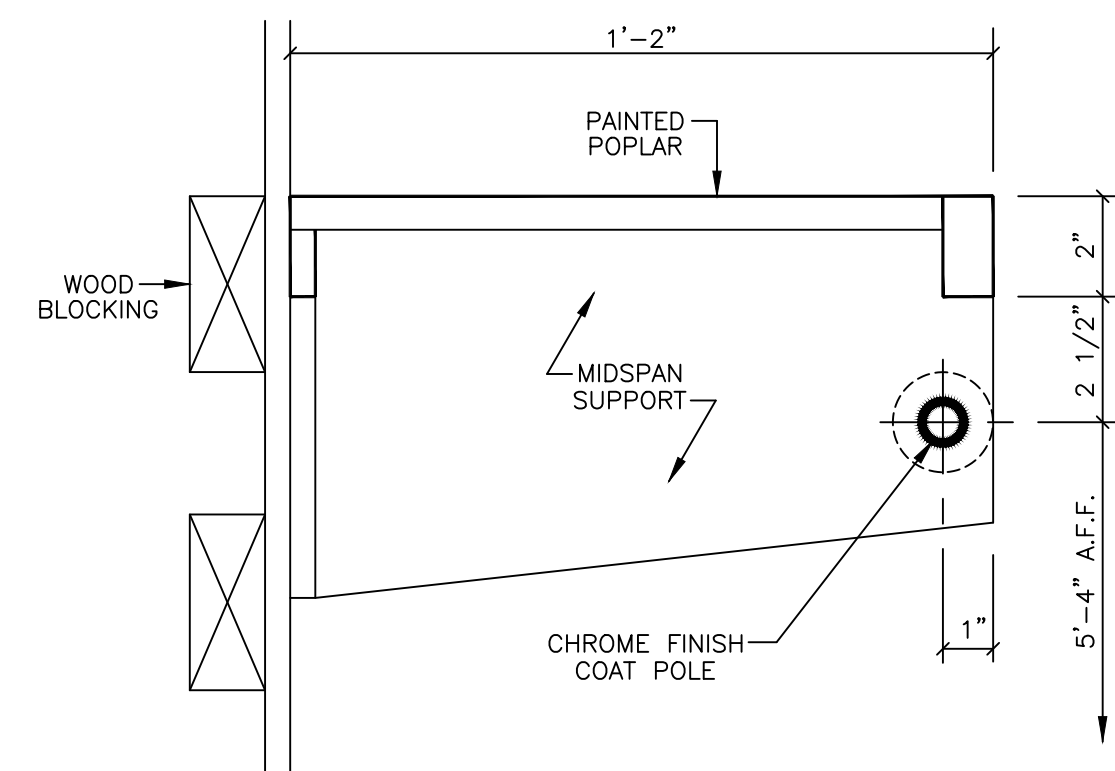
FIFTH FLOOR DEMOLITION PLAN



NEW LIFE SAFETY INFORMATION PLAN



NEW ELECTRICAL INFORMATION PLAN



COAT POLE SECTION

REVISIONS	COMMENTS

PROJECT NORTH REFERENCE <small>(NOT TO BE USED AS TRUE NORTH)</small>
PROJECT NO.
CAD ID. NO.
DATE
SCALE
DRAWN BY