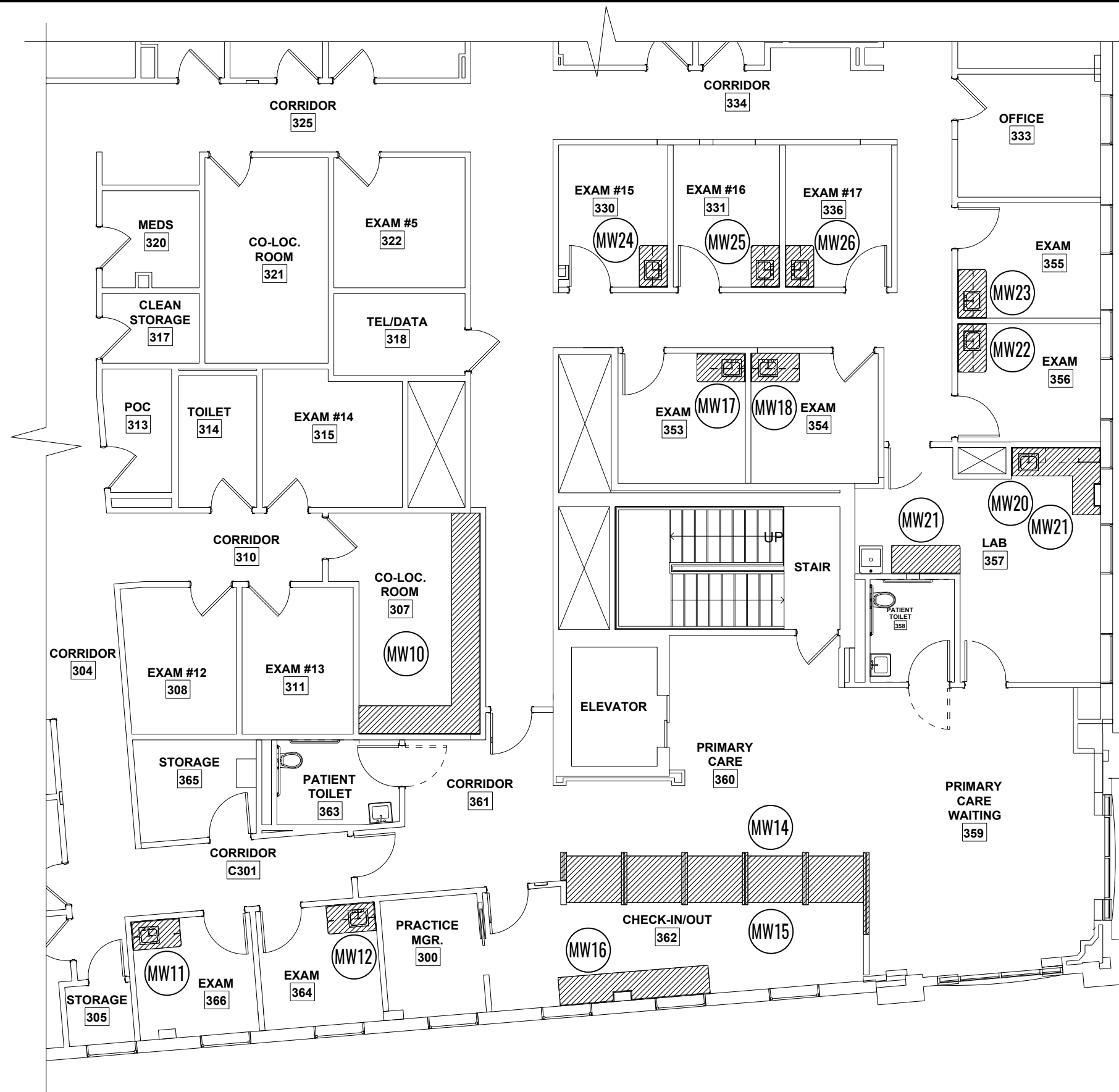
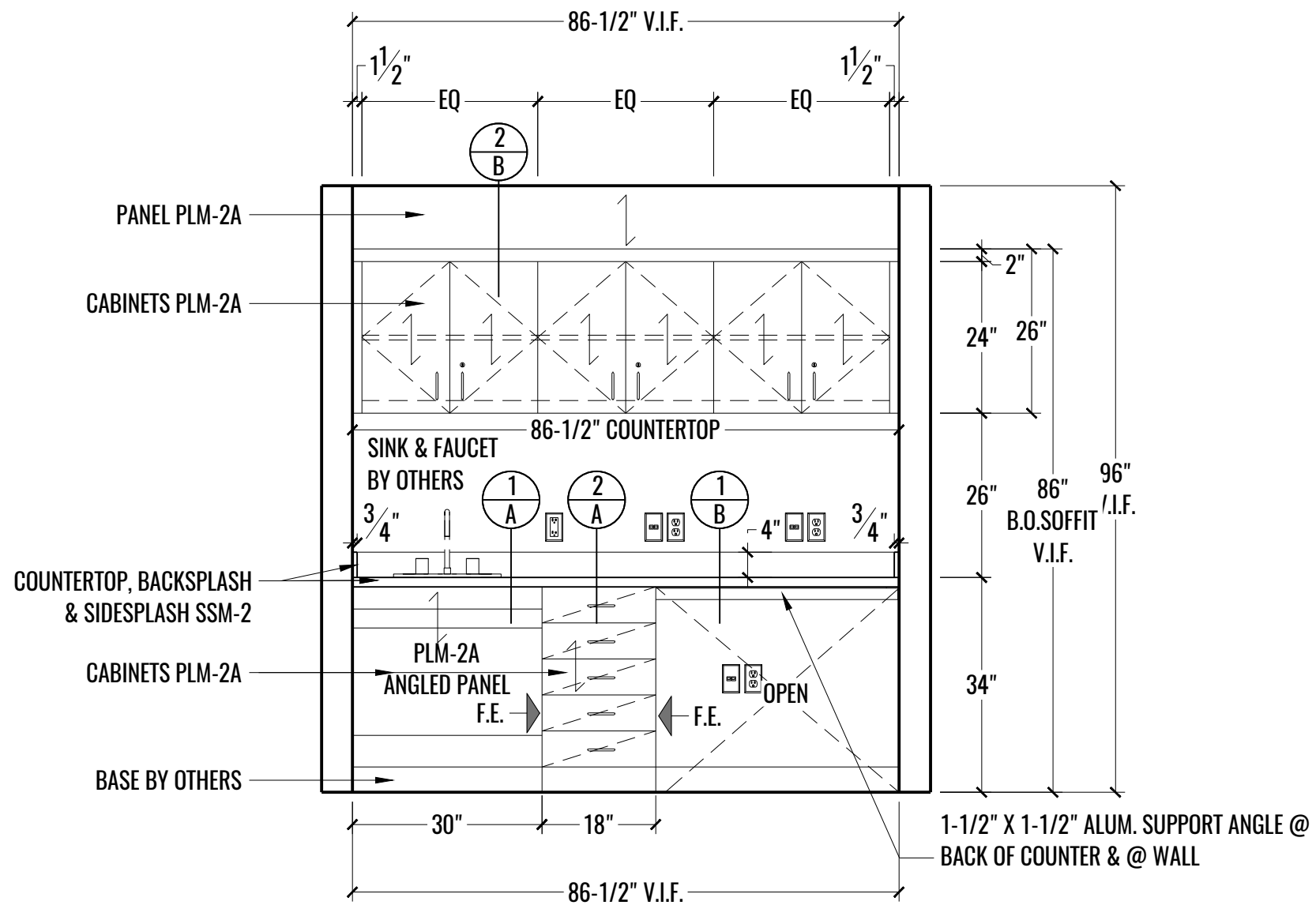
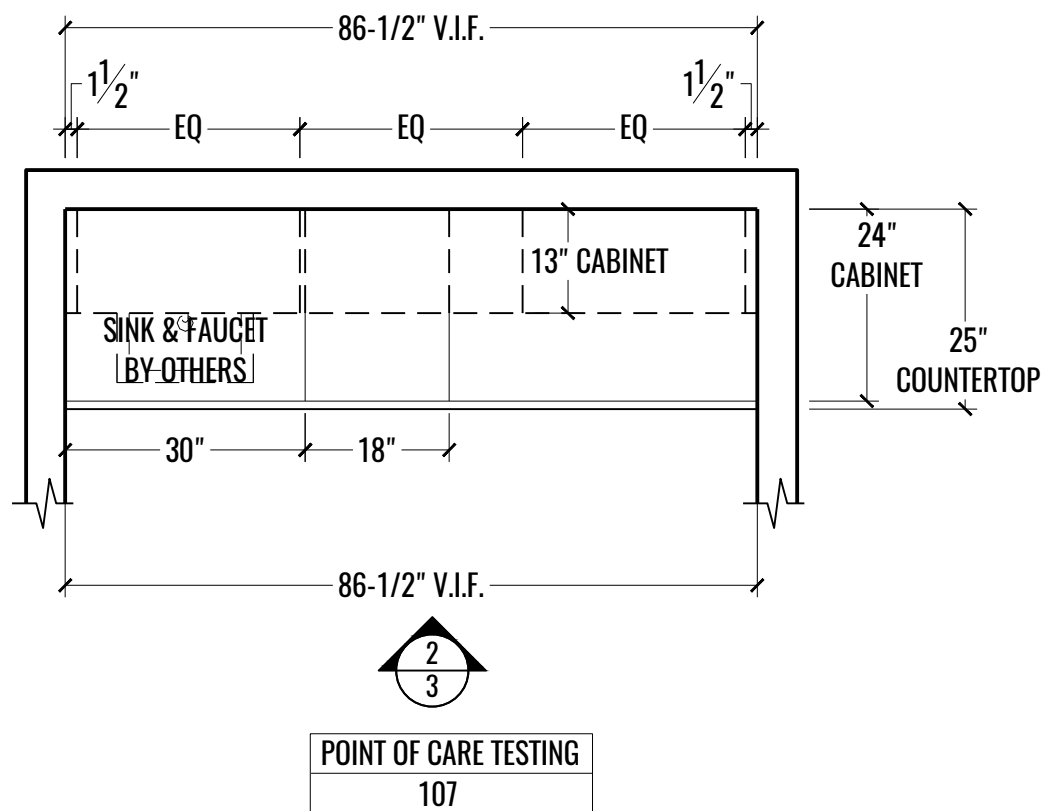


1 PLAN: PROJECT SCOPE - 1ST FLOOR



1 PLAN: PROJECT SCOPE - 3RD FLOOR
2

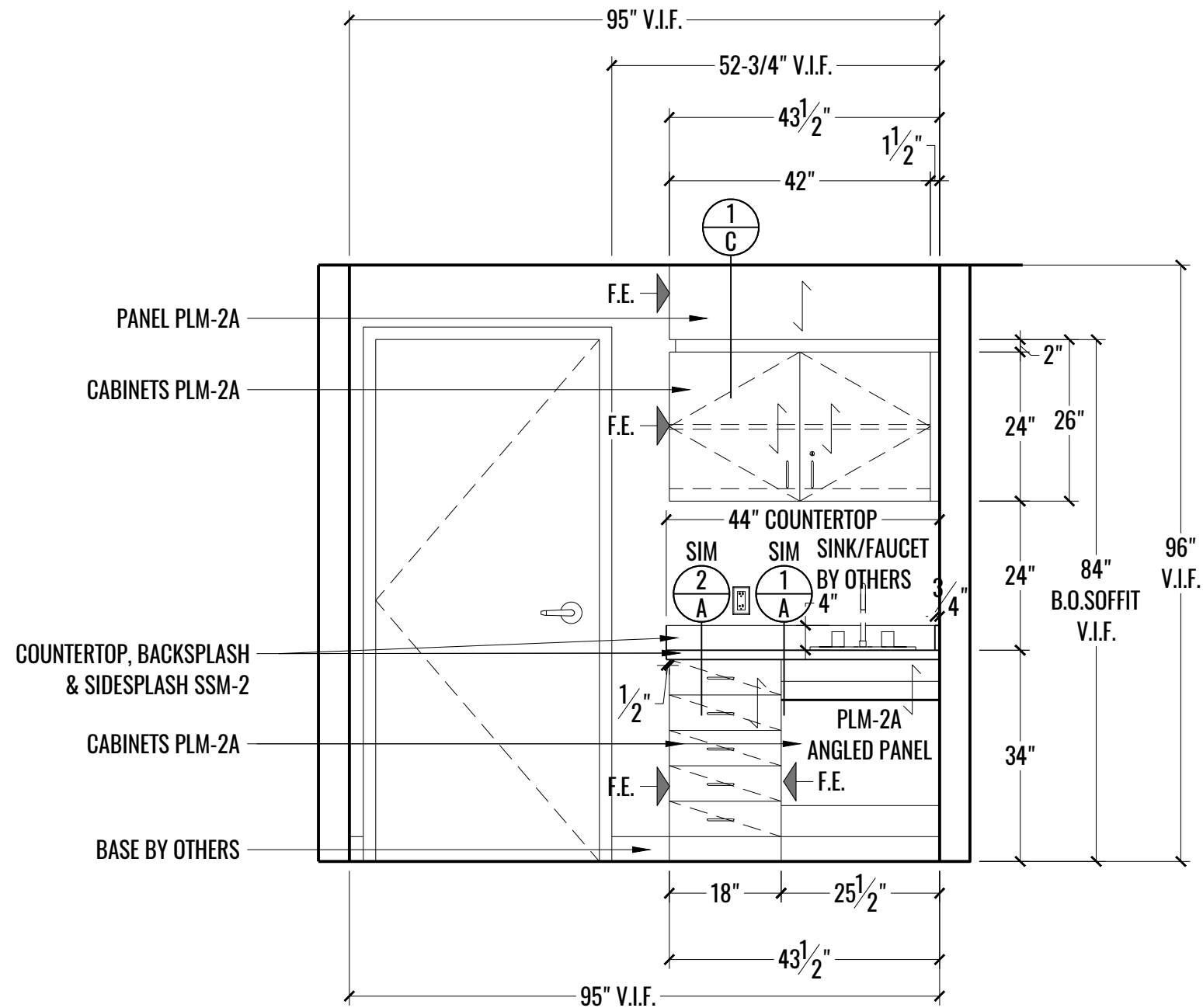
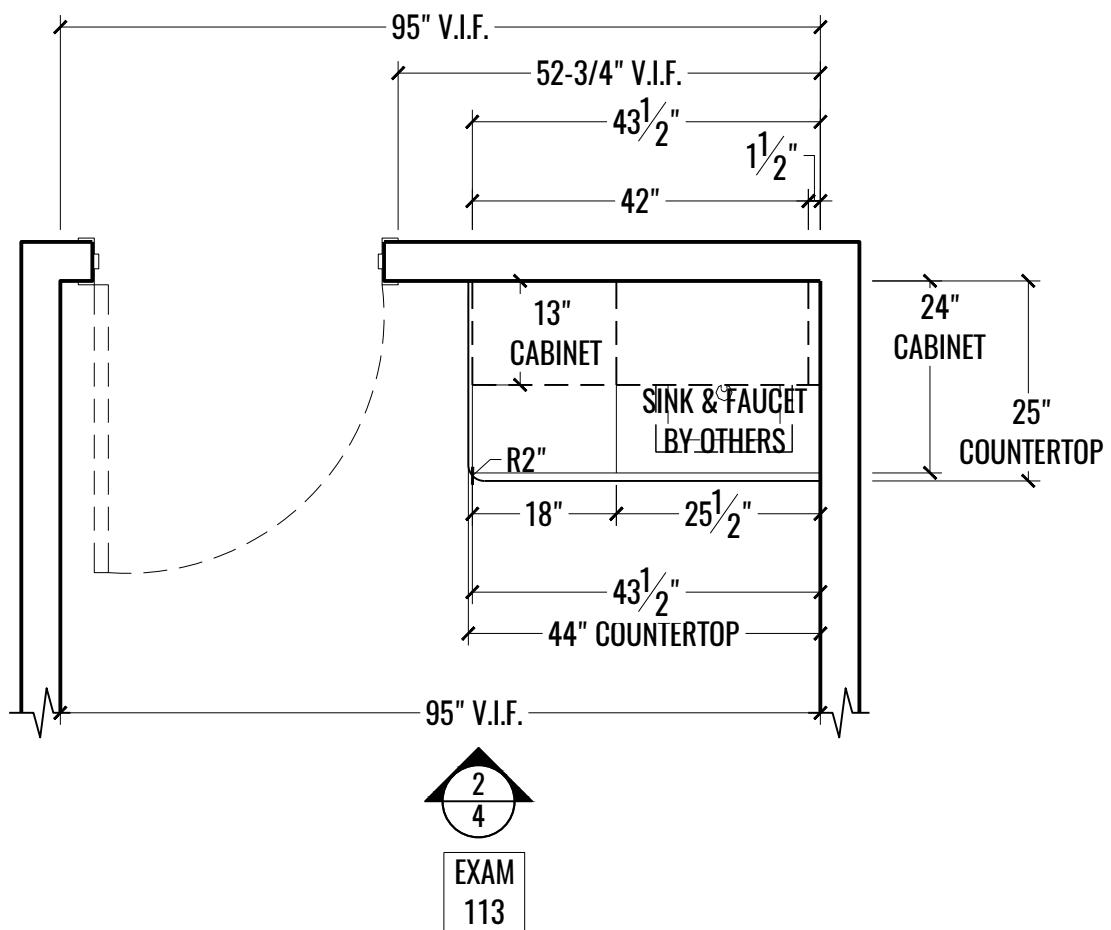
ALL ELECTRICAL OUTLETS, EQUIPMENT, IN-WALL MEDICAL APPLIANCES, COLUMNS, WINDOWS, ETC SHALL BE FIELD VERIFIED TO INSURE MILLWORK CLEARANCES



1 PLAN: POINT OF CARE TESTING - 107
3 SCALE: 1/2" = 1'-0"

2 ELEVATION: POINT OF CARE TESTING - 107
3 SCALE: 1/2" = 1'-0"

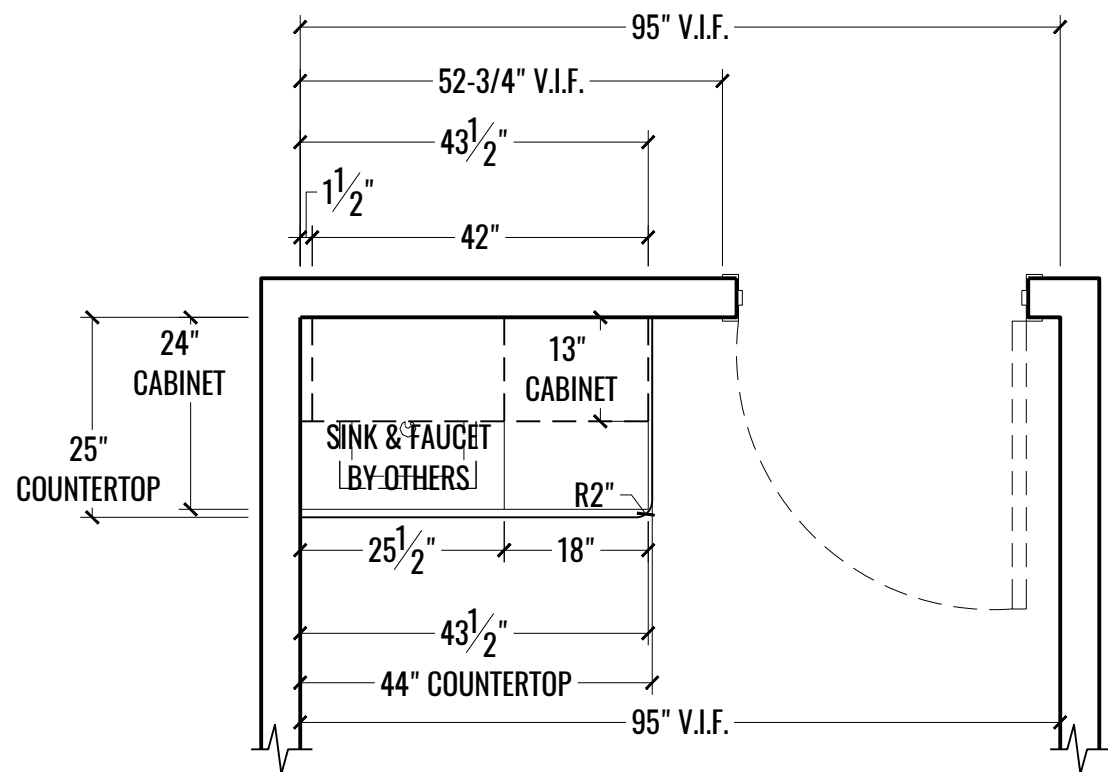
ALL ELECTRICAL OUTLETS, EQUIPMENT, IN-WALL MEDICAL APPLIANCES, COLUMNS, WINDOWS, ETC SHALL BE FIELD VERIFIED TO INSURE MILLWORK CLEARANCES



1 PLAN: EXAM-113
4 SCALE: 1/2" = 1'-0"

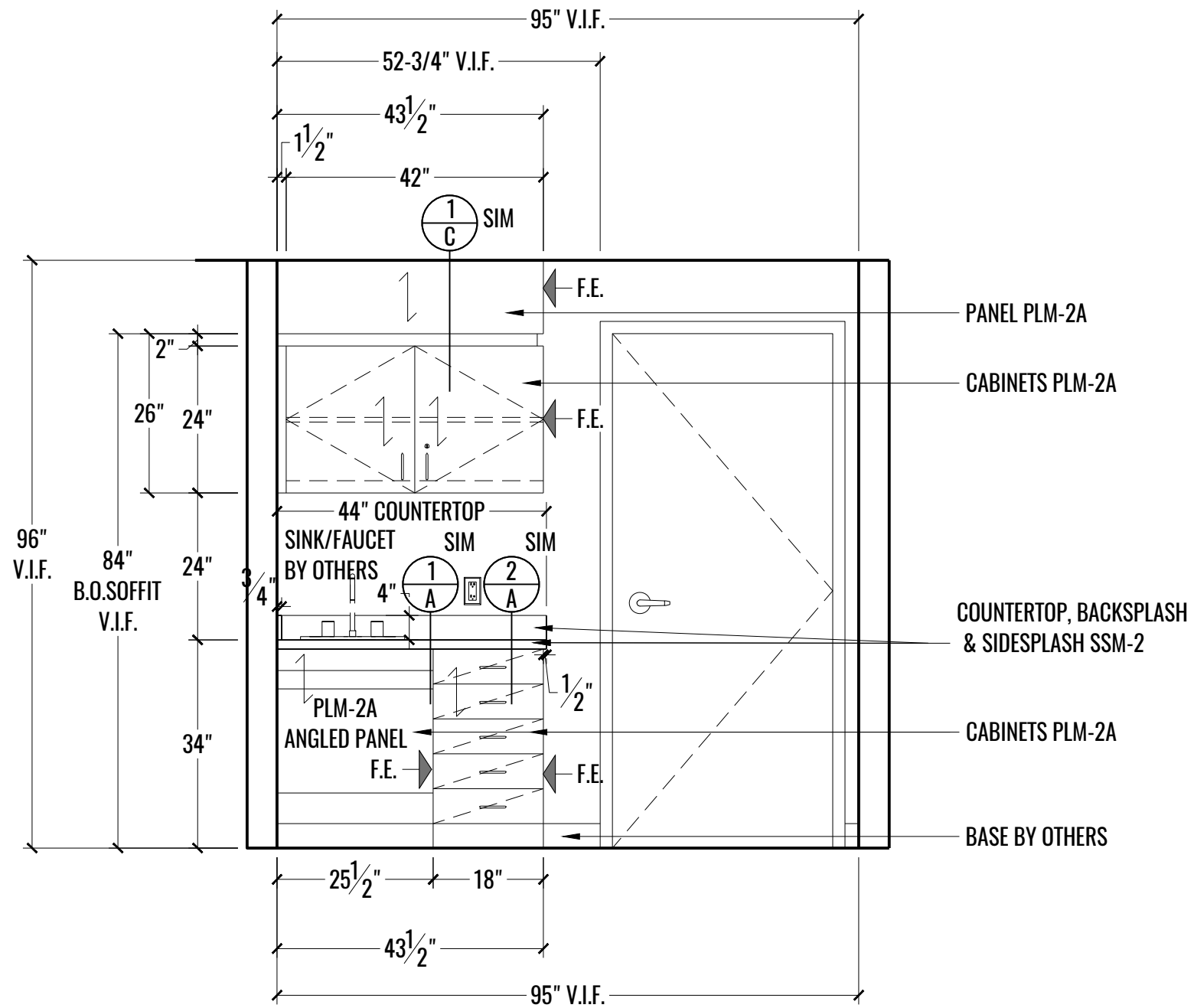
2 ELEVATION: EXAM - 113
4 SCALE: 1/2" = 1'-0"

ALL ELECTRICAL OUTLETS, EQUIPMENT, IN-WALL MEDICAL APPLIANCES, COLUMNS, WINDOWS, ETC SHALL BE FIELD VERIFIED TO INSURE MILLWORK CLEARANCES



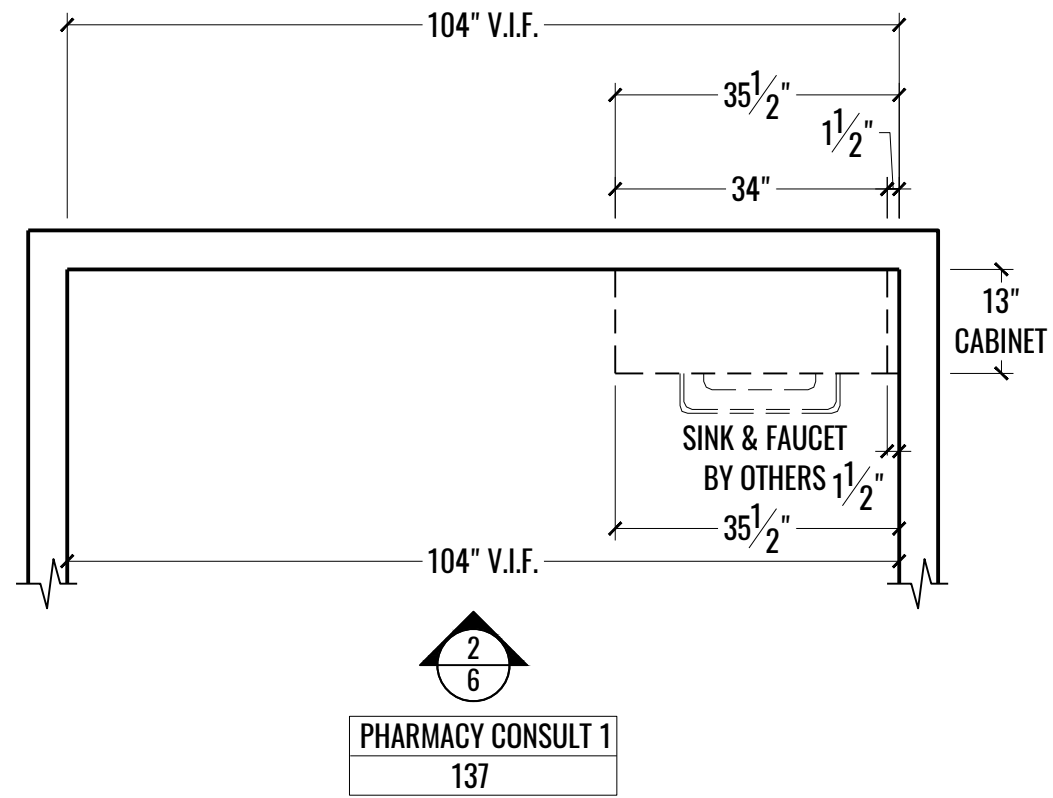
EXAM
114

1 PLAN: EXAM - 114
5 SCALE: 1/2" = 1'-0"

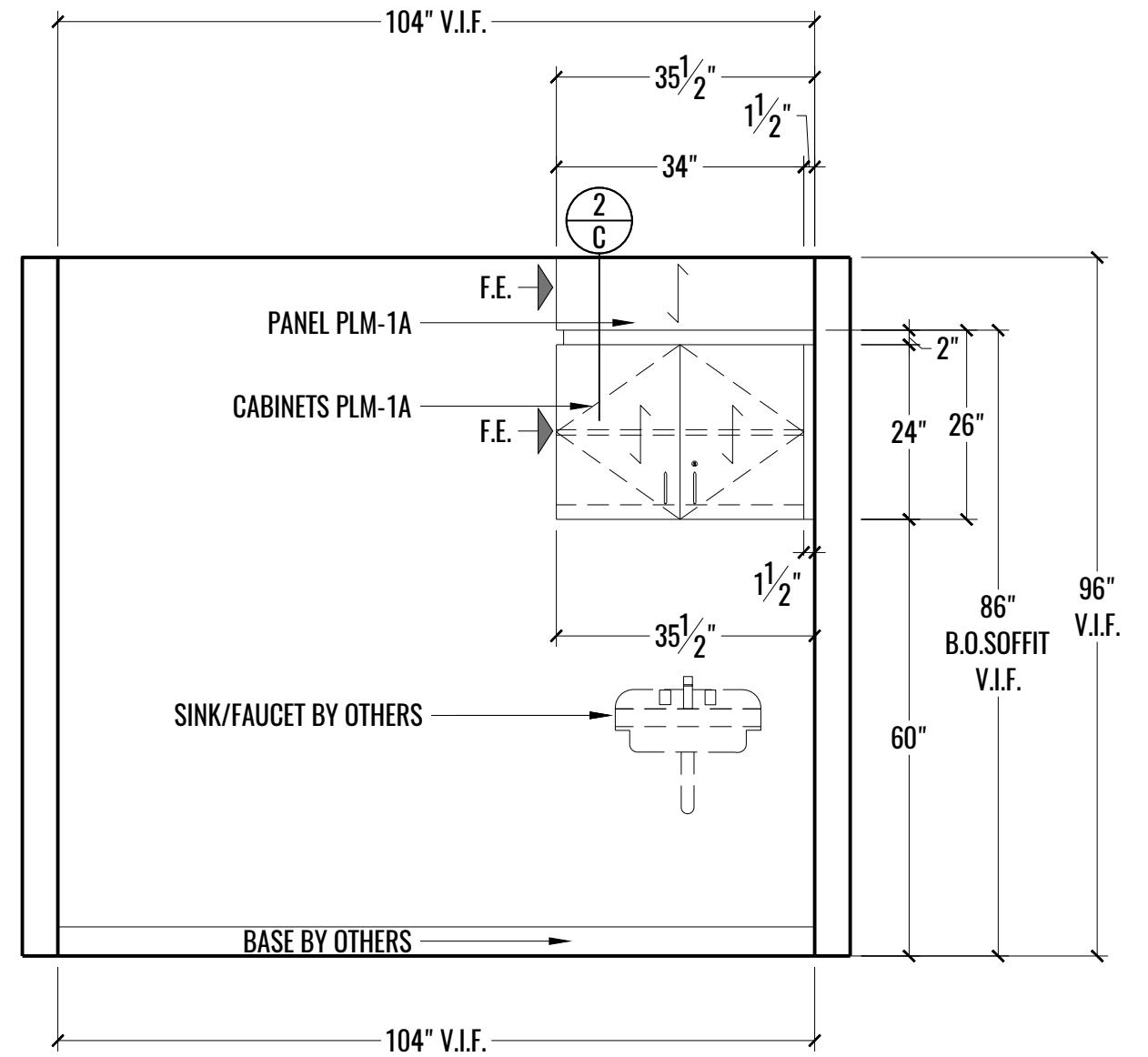


2 ELEVATION: EXAM - 114
5 SCALE: 1/2" = 1'-0"

ALL ELECTRICAL OUTLETS, EQUIPMENT, IN-WALL MEDICAL APPLIANCES, COLUMNS, WINDOWS, ETC SHALL BE FIELD VERIFIED TO INSURE MILLWORK CLEARANCES

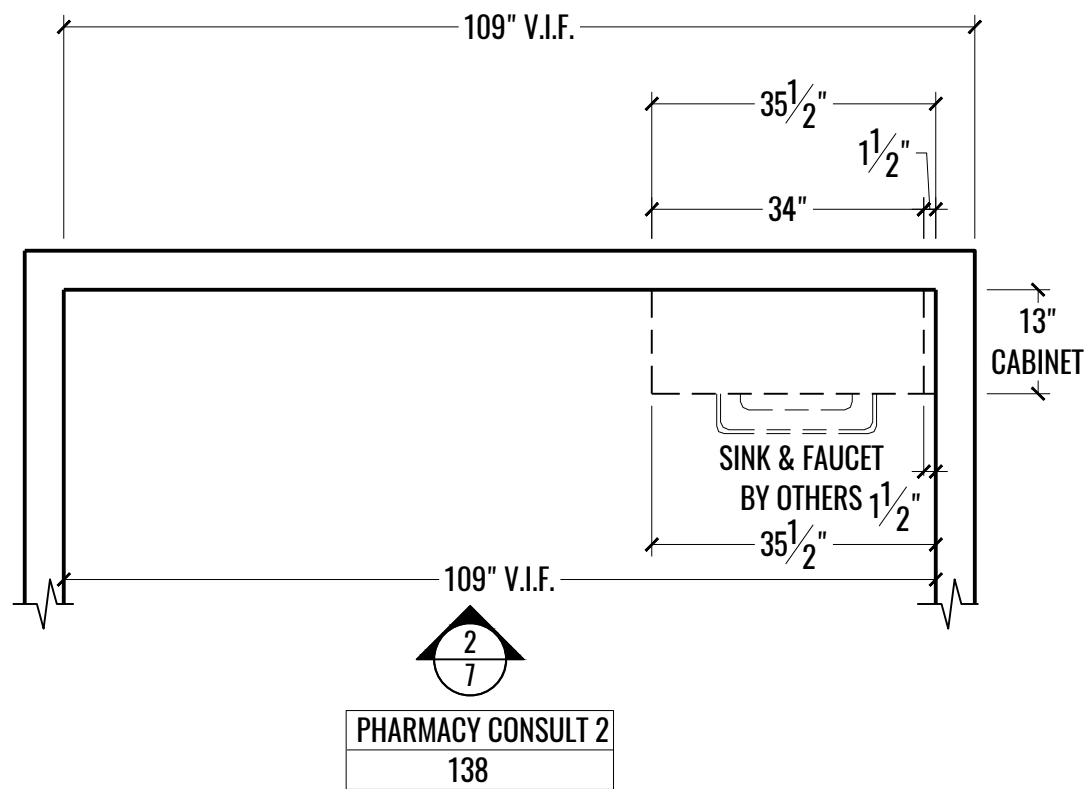


1 PLAN: PHARMACY CONSULT 1 - 137
6 SCALE: 1/2" = 1'-0"

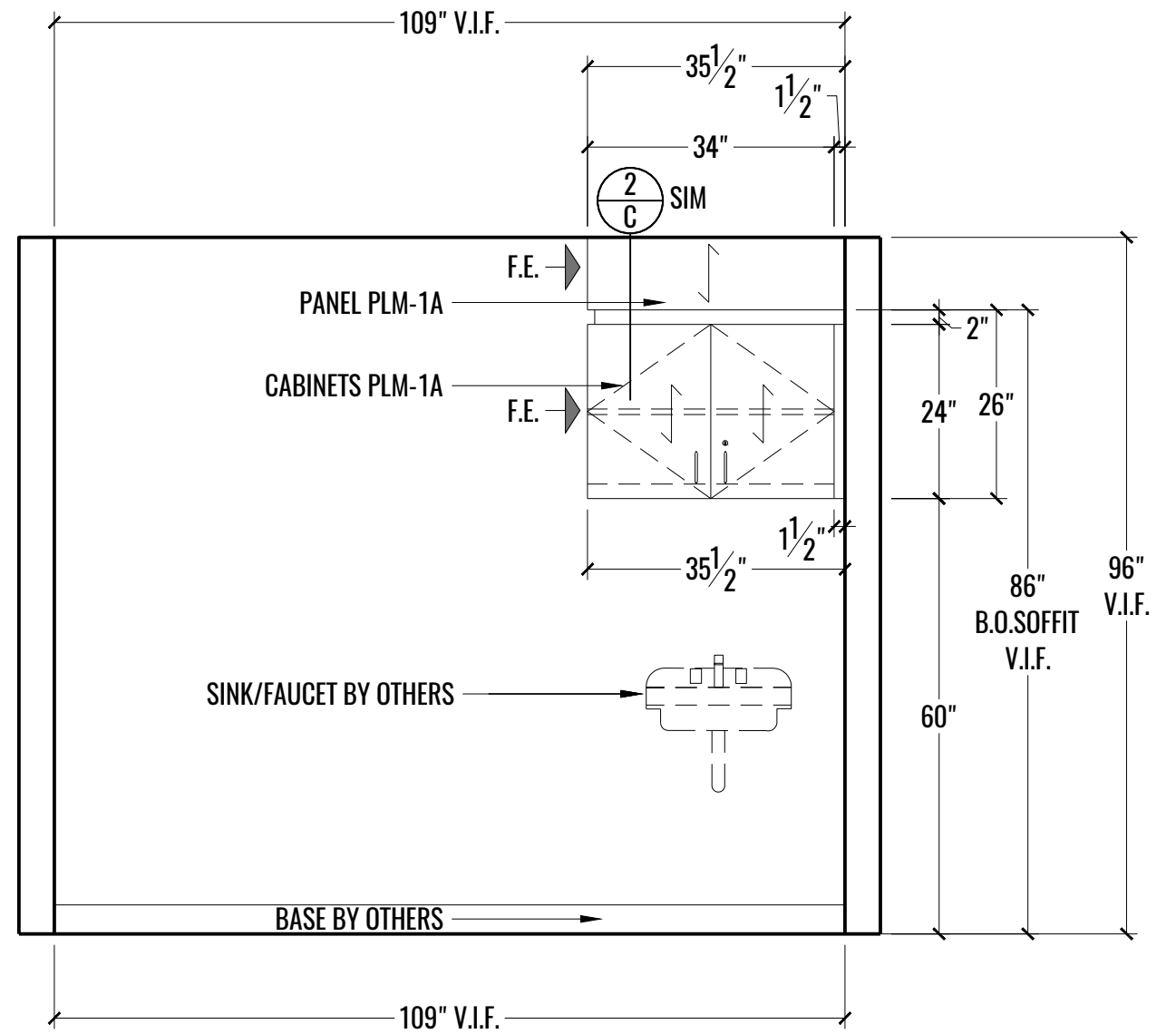


2 ELEVATION: PHARMACY CONSULT 1 - 137
6 SCALE: 1/2" = 1'-0"

ALL ELECTRICAL OUTLETS, EQUIPMENT, IN-WALL MEDICAL APPLIANCES, COLUMNS, WINDOWS, ETC SHALL BE FIELD VERIFIED TO INSURE MILLWORK CLEARANCES

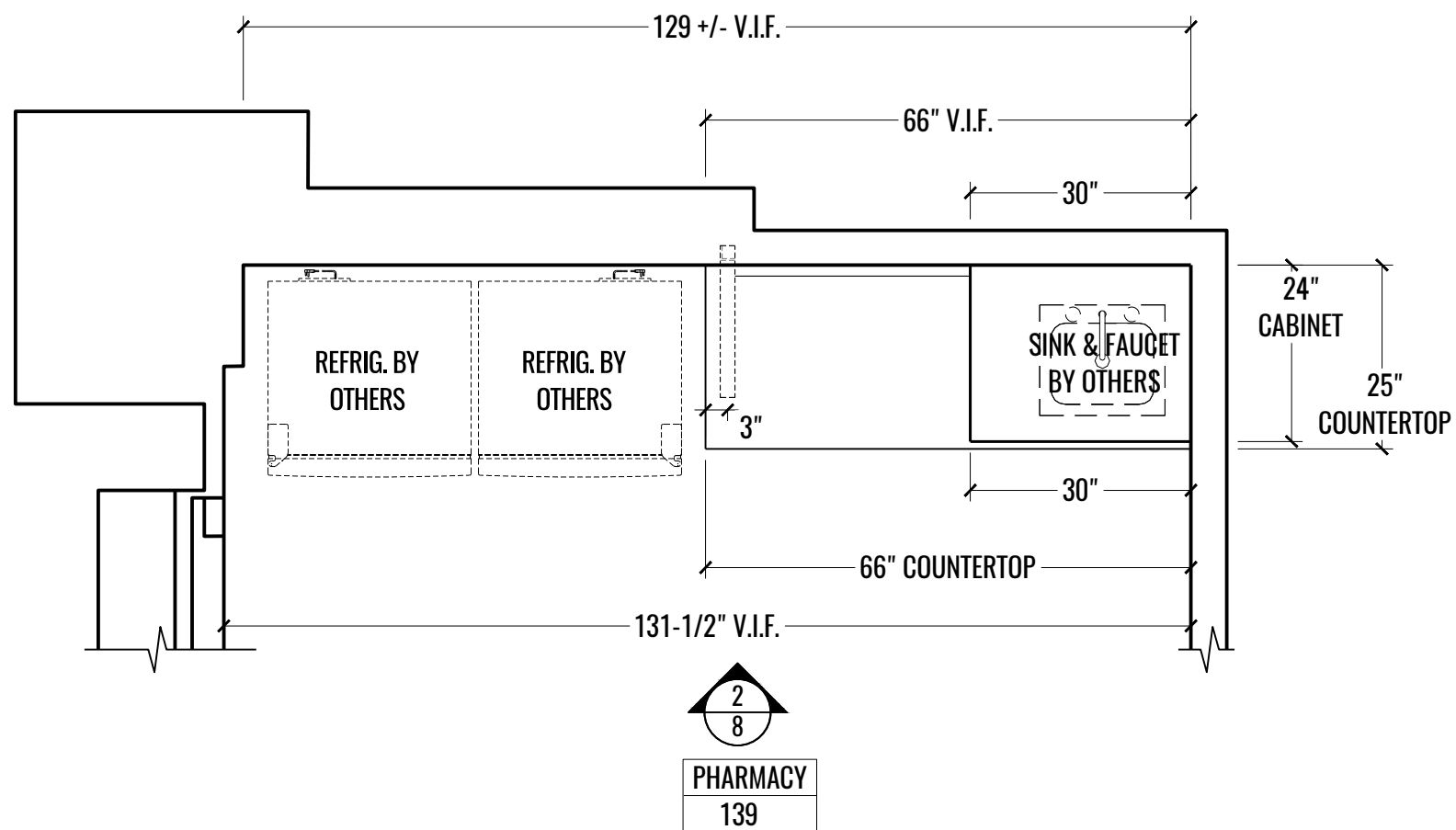


1 PLAN: PHARMACY CONSULT 2 - 138
7 SCALE: 1/2" = 1'-0"

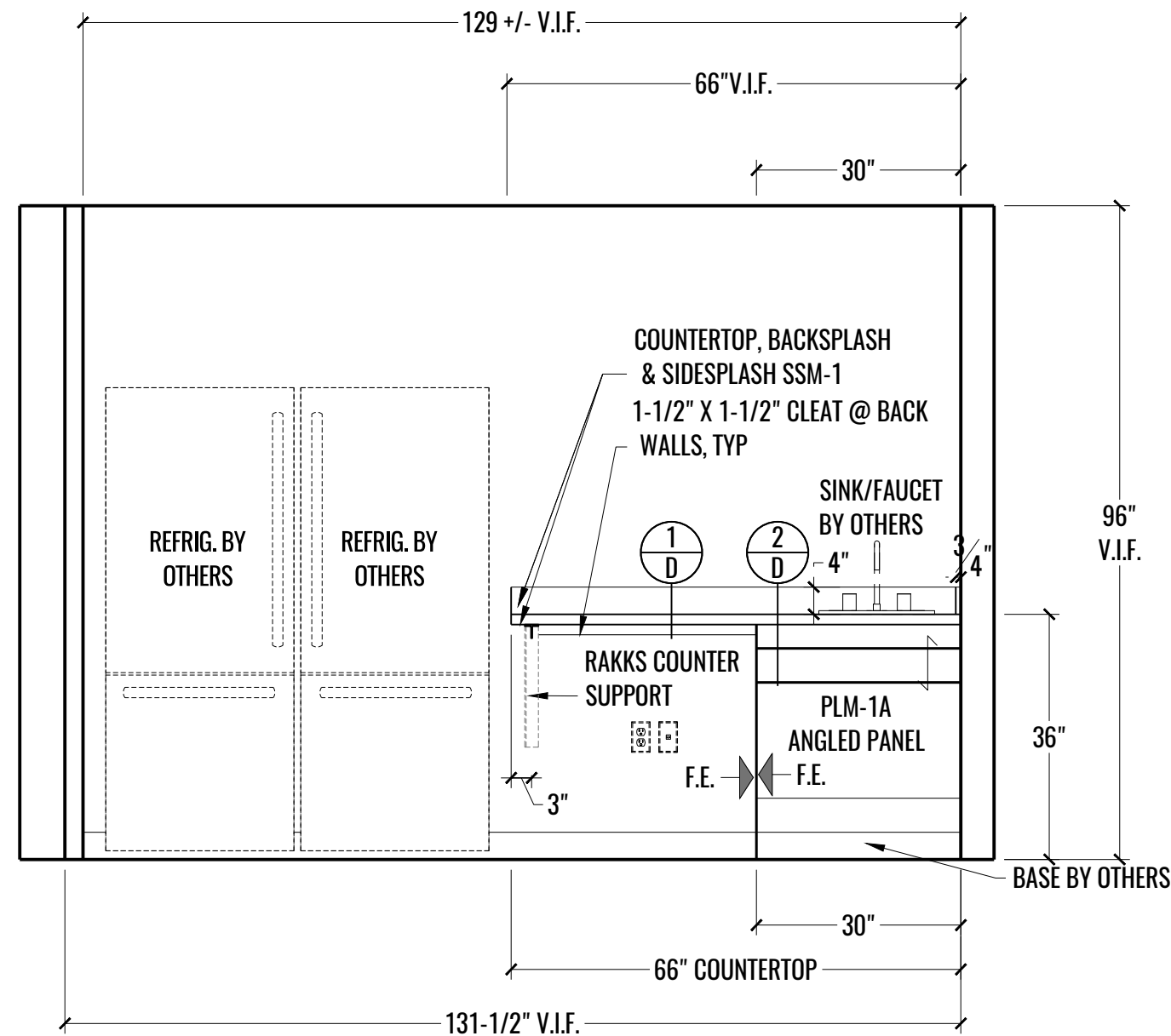


2 ELEVATION: PHARMACY CONSULT 2 - 138
7 SCALE: 1/2" = 1'-0"

ALL ELECTRICAL OUTLETS, EQUIPMENT, IN-WALL MEDICAL APPLIANCES, COLUMNS, WINDOWS, ETC SHALL BE FIELD VERIFIED TO INSURE MILLWORK CLEARANCES

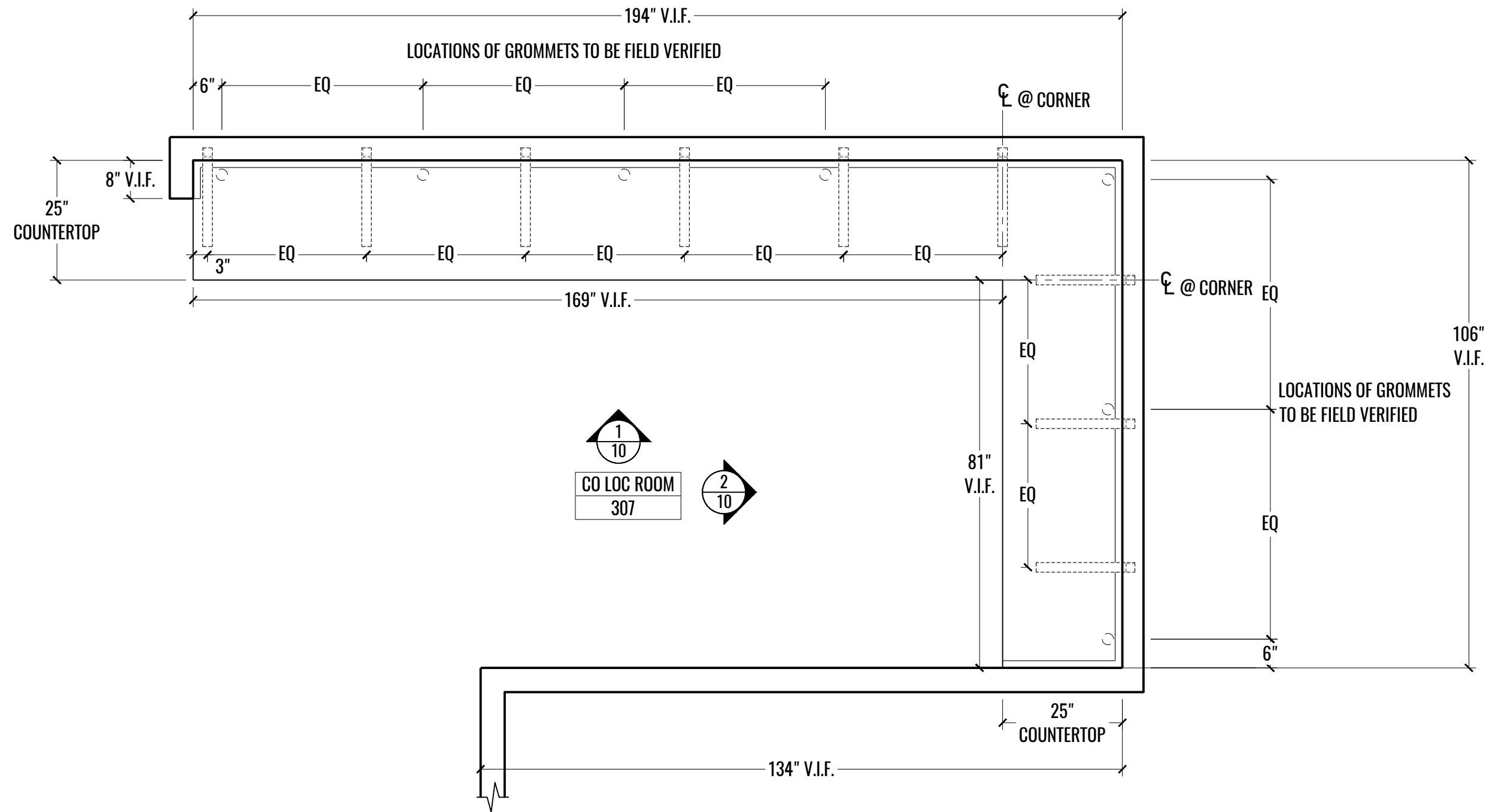


1 PLAN: PHARMACY - 139
8 SCALE: 1/2" = 1'-0"



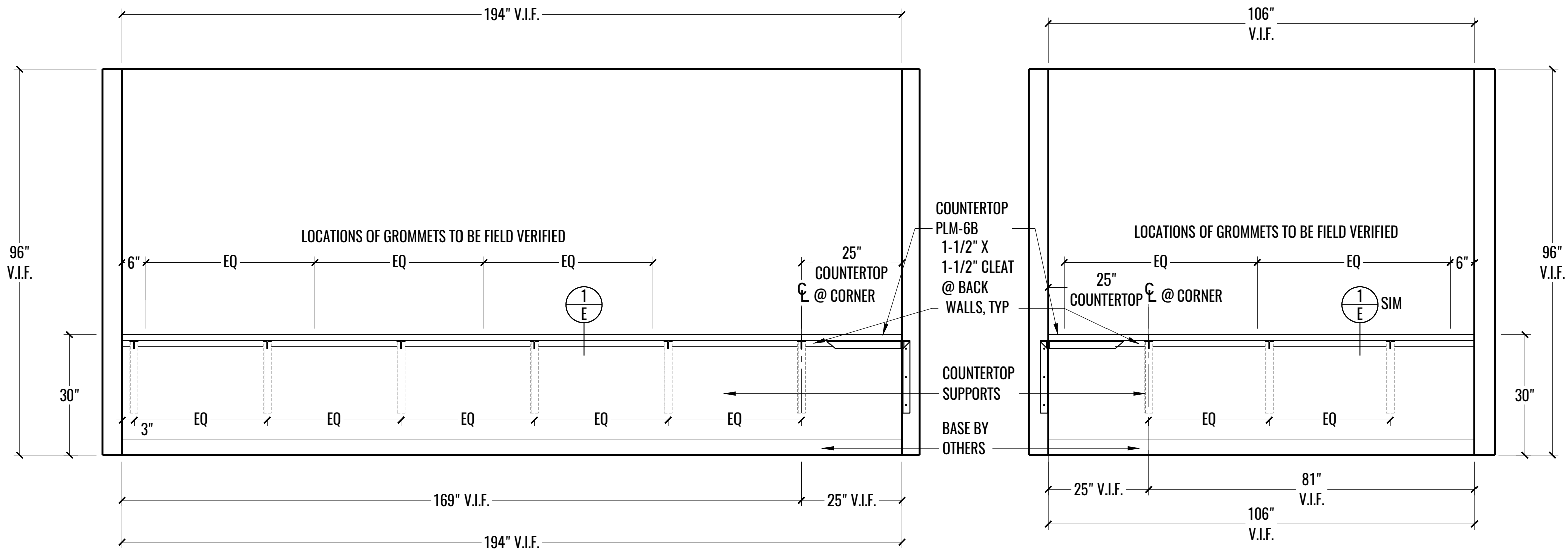
2 ELEVATION: PHARMACY - 139
8 SCALE: 1/2" = 1'-0"

ALL ELECTRICAL OUTLETS, EQUIPMENT, IN-WALL MEDICAL APPLIANCES, COLUMNS, WINDOWS, ETC SHALL BE FIELD VERIFIED TO INSURE MILLWORK CLEARANCES



1 PLAN: CO LOC ROOM - 307
9 SCALE: 1/2" = 1'-0"

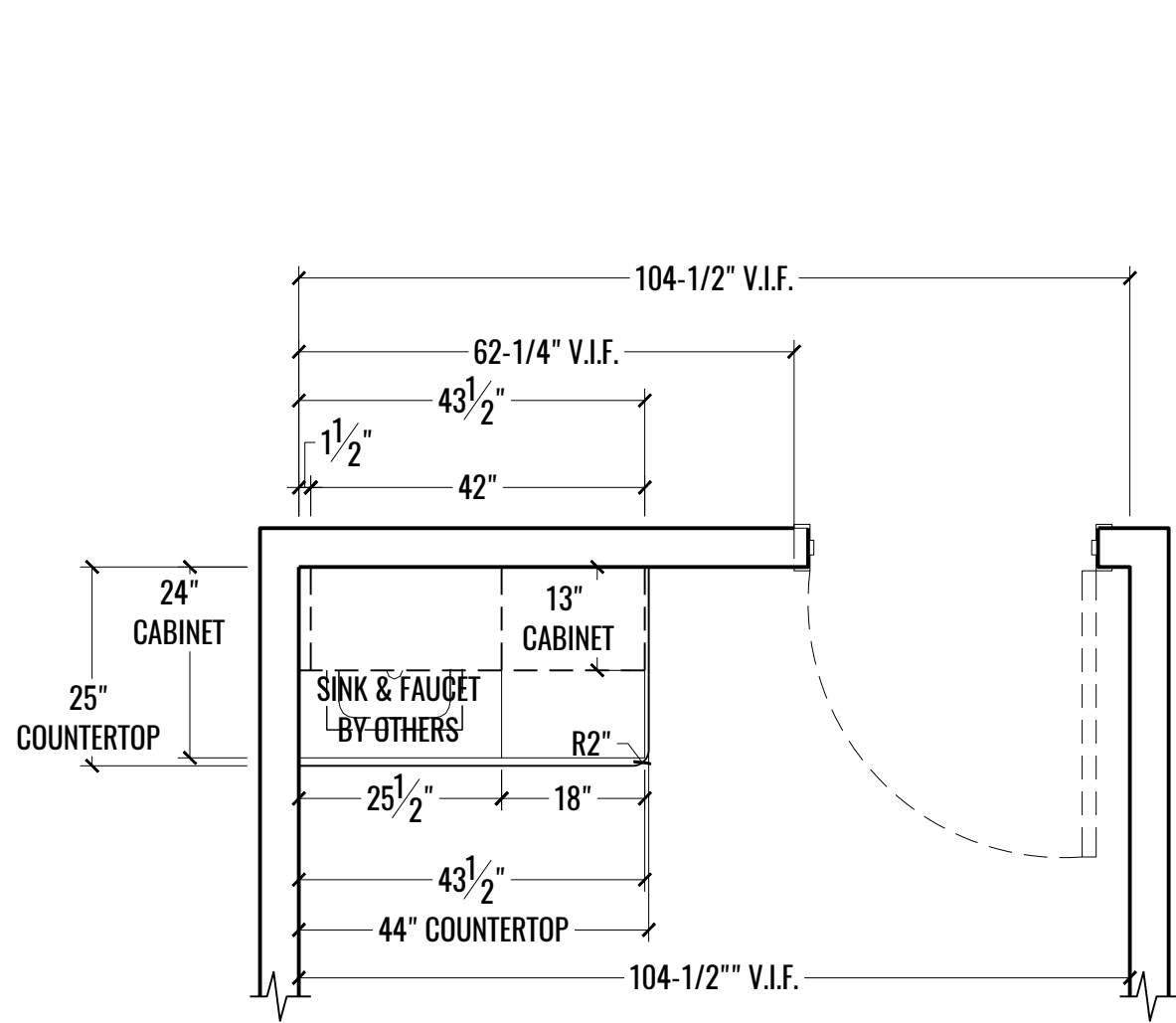
ALL ELECTRICAL OUTLETS, EQUIPMENT, IN-WALL MEDICAL APPLIANCES, COLUMNS, WINDOWS, ETC SHALL BE FIELD VERIFIED TO INSURE MILLWORK CLEARANCES



1
10 ELEVATION: CO LOC ROOM - 307
SCALE: 1/2" = 1'-0"

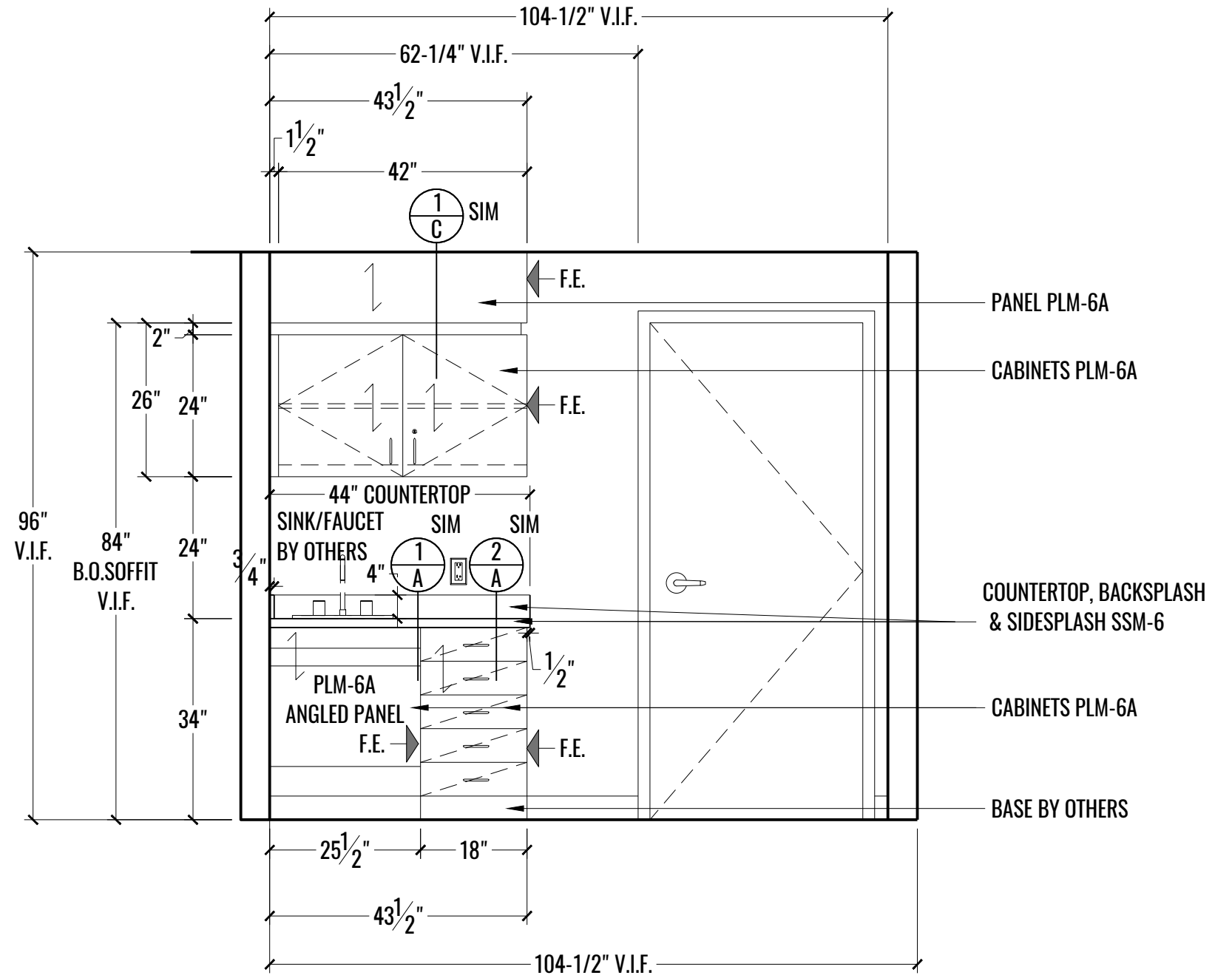
2
10 ELEVATION: CO LOC ROOM - 307
SCALE: 1/2" = 1'-0"

ALL ELECTRICAL OUTLETS, EQUIPMENT, IN-WALL MEDICAL APPLIANCES, COLUMNS, WINDOWS, ETC SHALL BE FIELD VERIFIED TO INSURE MILLWORK CLEARANCES



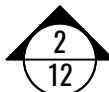
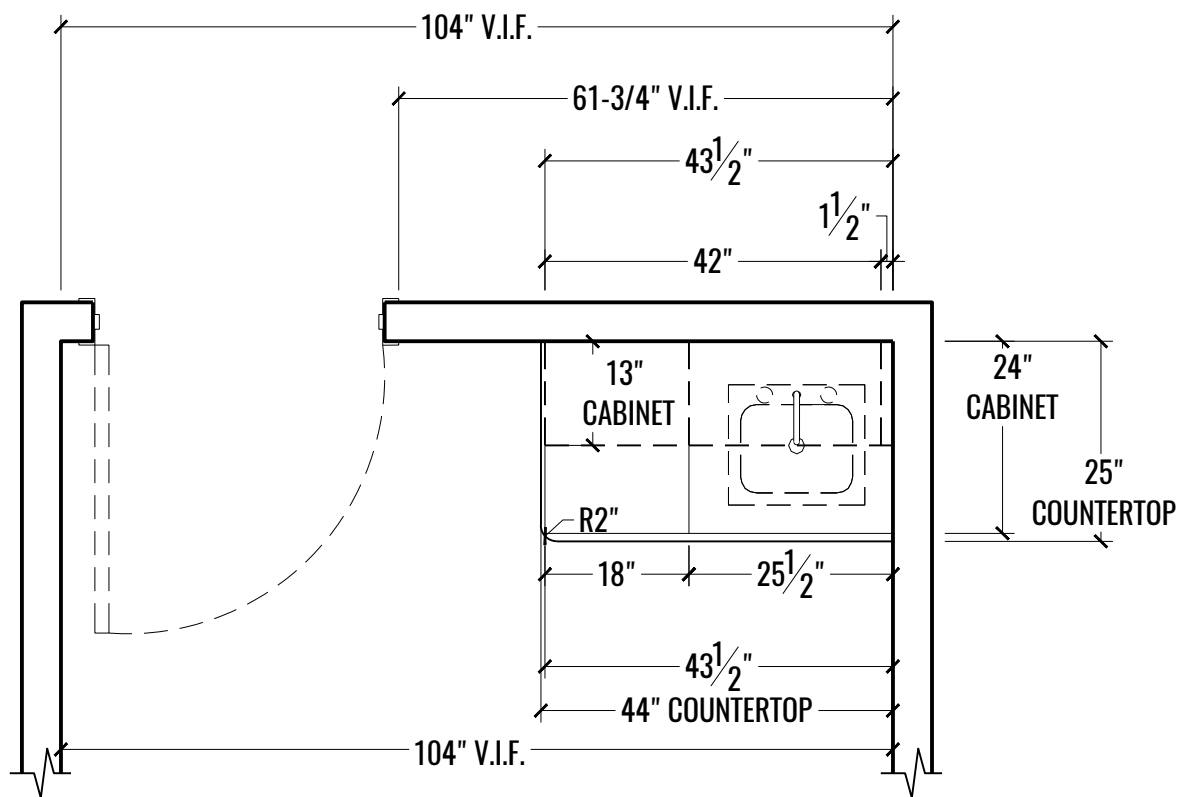
2
11
EXAM
366

1 PLAN: EXAM - 366
11 SCALE: 1/2" = 1'-0"



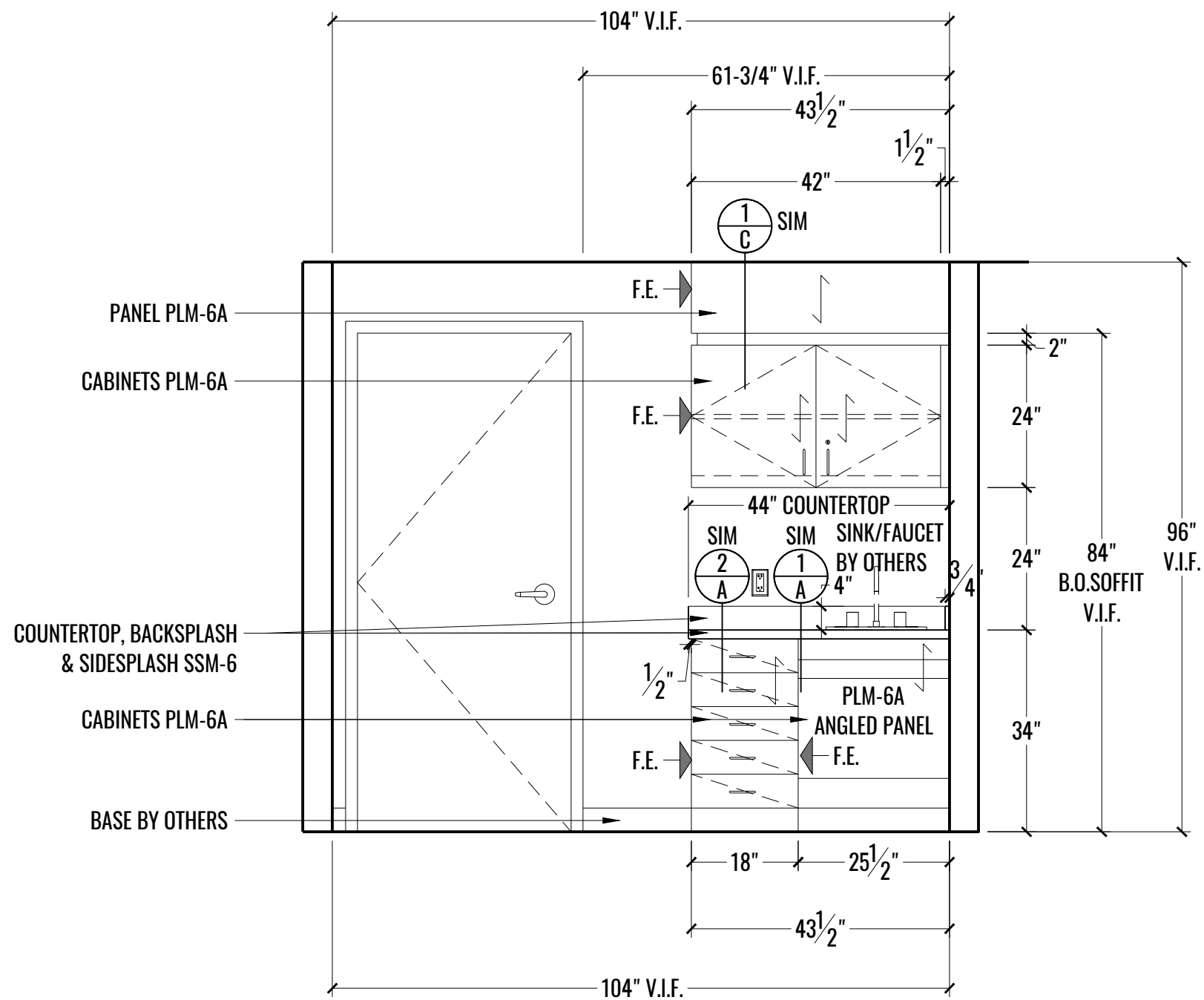
2 ELEVATION: EXAM - 366
11 SCALE: 1/2" = 1'-0"

ALL ELECTRICAL OUTLETS, EQUIPMENT, IN-WALL MEDICAL APPLIANCES, COLUMNS, WINDOWS, ETC SHALL BE FIELD VERIFIED TO INSURE MILLWORK CLEARANCES



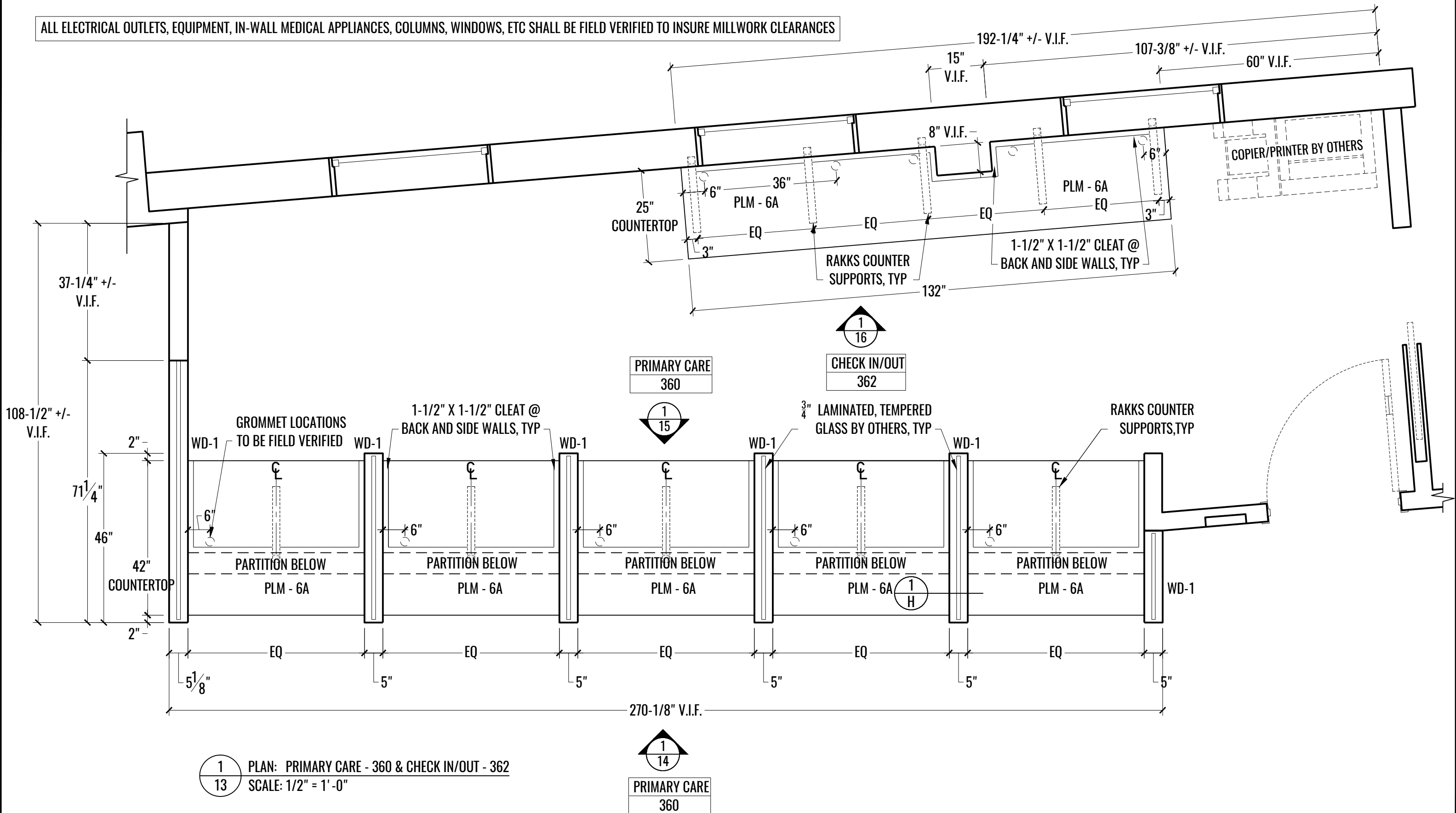
EXAM
364

1 PLAN: EXAM - 364
12 SCALE: 1/2" = 1'-0"



2 ELEVATION: EXAM - 364
12 SCALE: 1/2" = 1'-0"

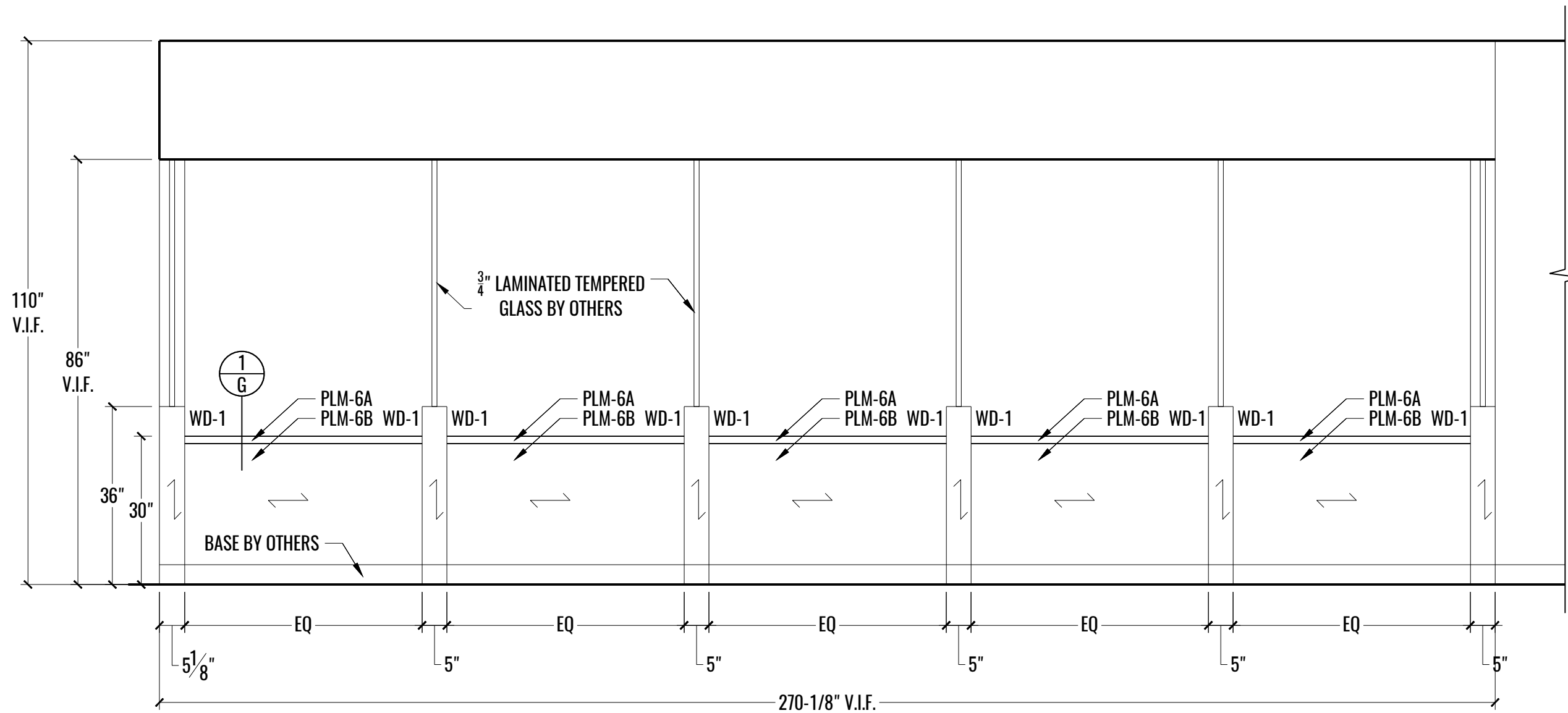
ALL ELECTRICAL OUTLETS, EQUIPMENT, IN-WALL MEDICAL APPLIANCES, COLUMNS, WINDOWS, ETC SHALL BE FIELD VERIFIED TO INSURE MILLWORK CLEARANCES



1
13 PLAN: PRIMARY CARE - 360 & CHECK IN/OUT - 362
SCALE: 1/2" = 1'-0"

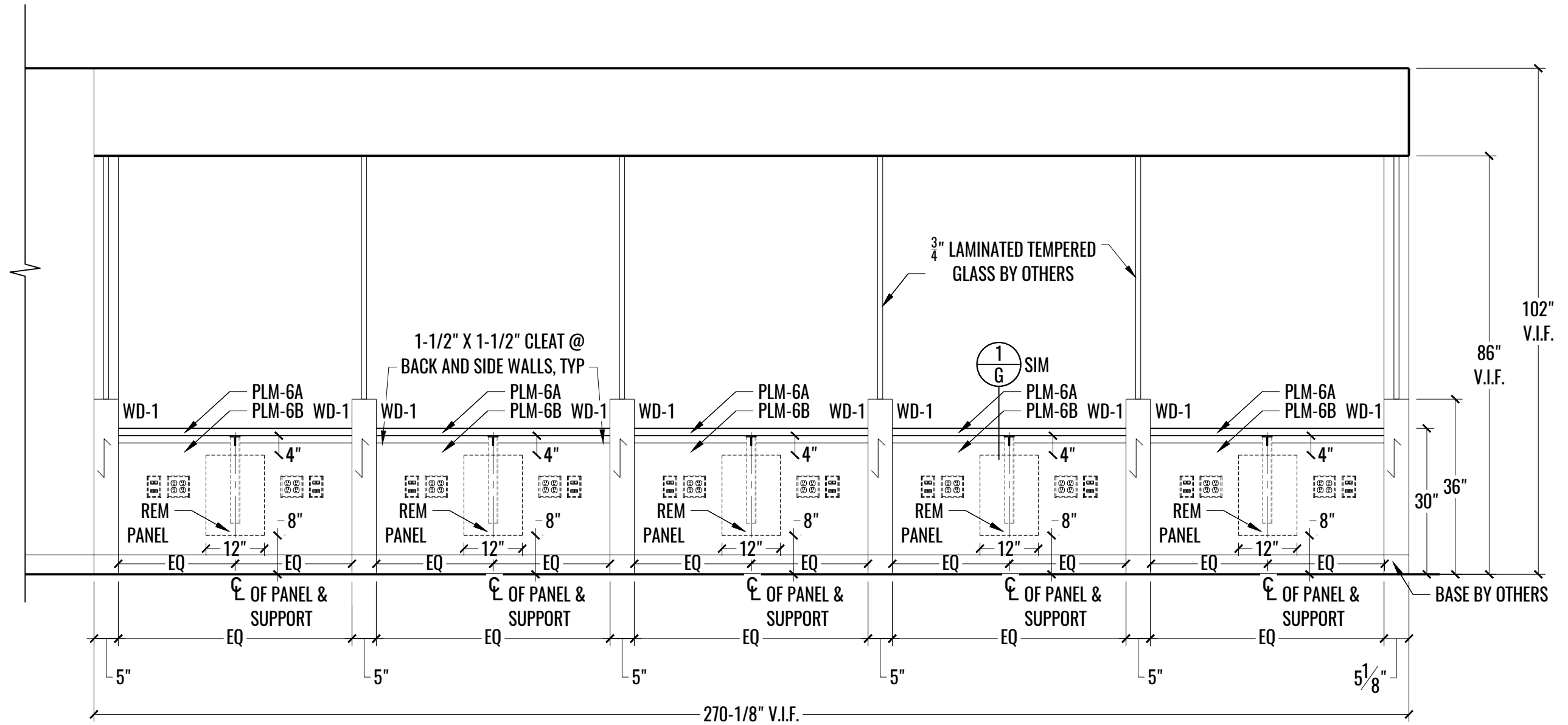
1
14
PRIMARY CARE
360

ALL ELECTRICAL OUTLETS, EQUIPMENT, IN-WALL MEDICAL APPLIANCES, COLUMNS, WINDOWS, ETC SHALL BE FIELD VERIFIED TO INSURE MILLWORK CLEARANCES



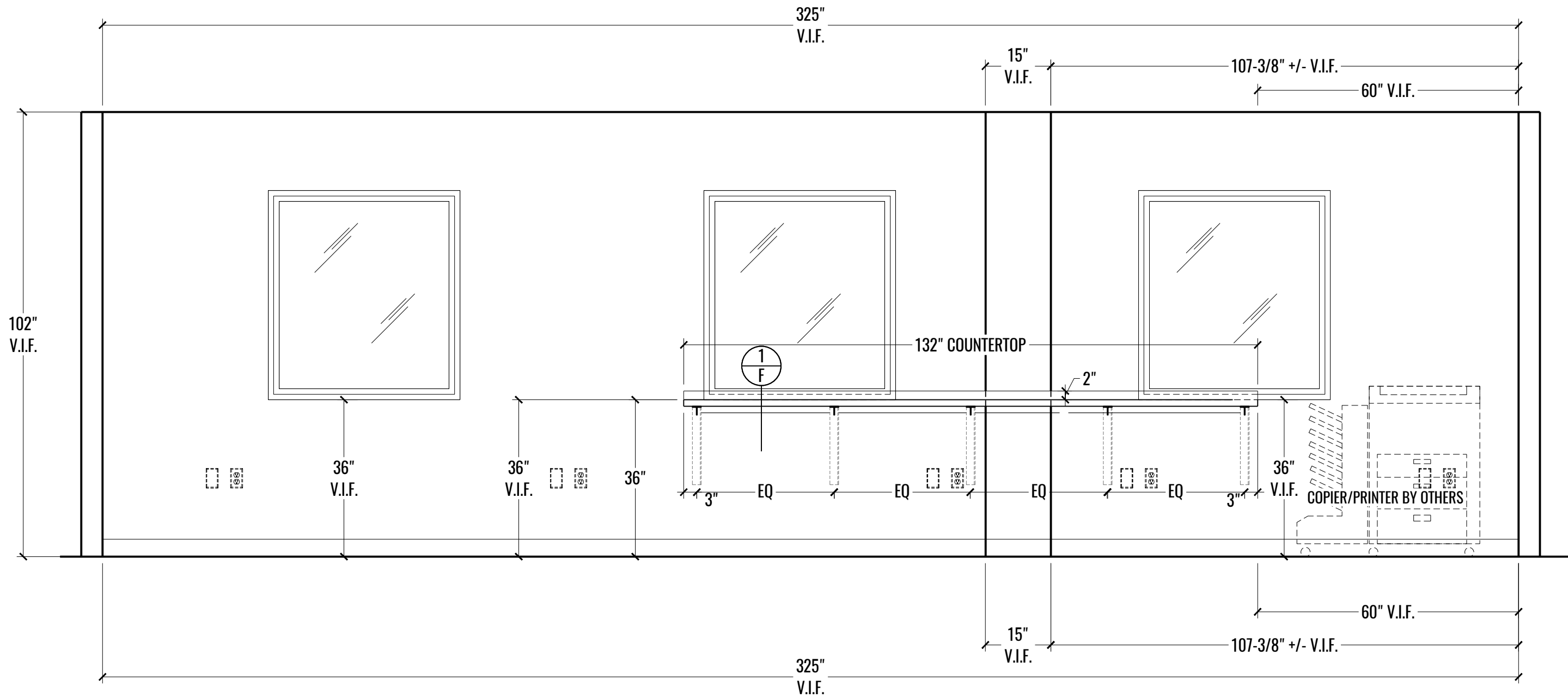
1
14 ELEVATION: PRIMARY CARE - RECEPTION DESK - 360 (FRONT VIEW)
SCALE: 1/2" = 1'-0"

ALL ELECTRICAL OUTLETS, EQUIPMENT, IN-WALL MEDICAL APPLIANCES, COLUMNS, WINDOWS, ETC SHALL BE FIELD VERIFIED TO INSURE MILLWORK CLEARANCES



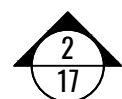
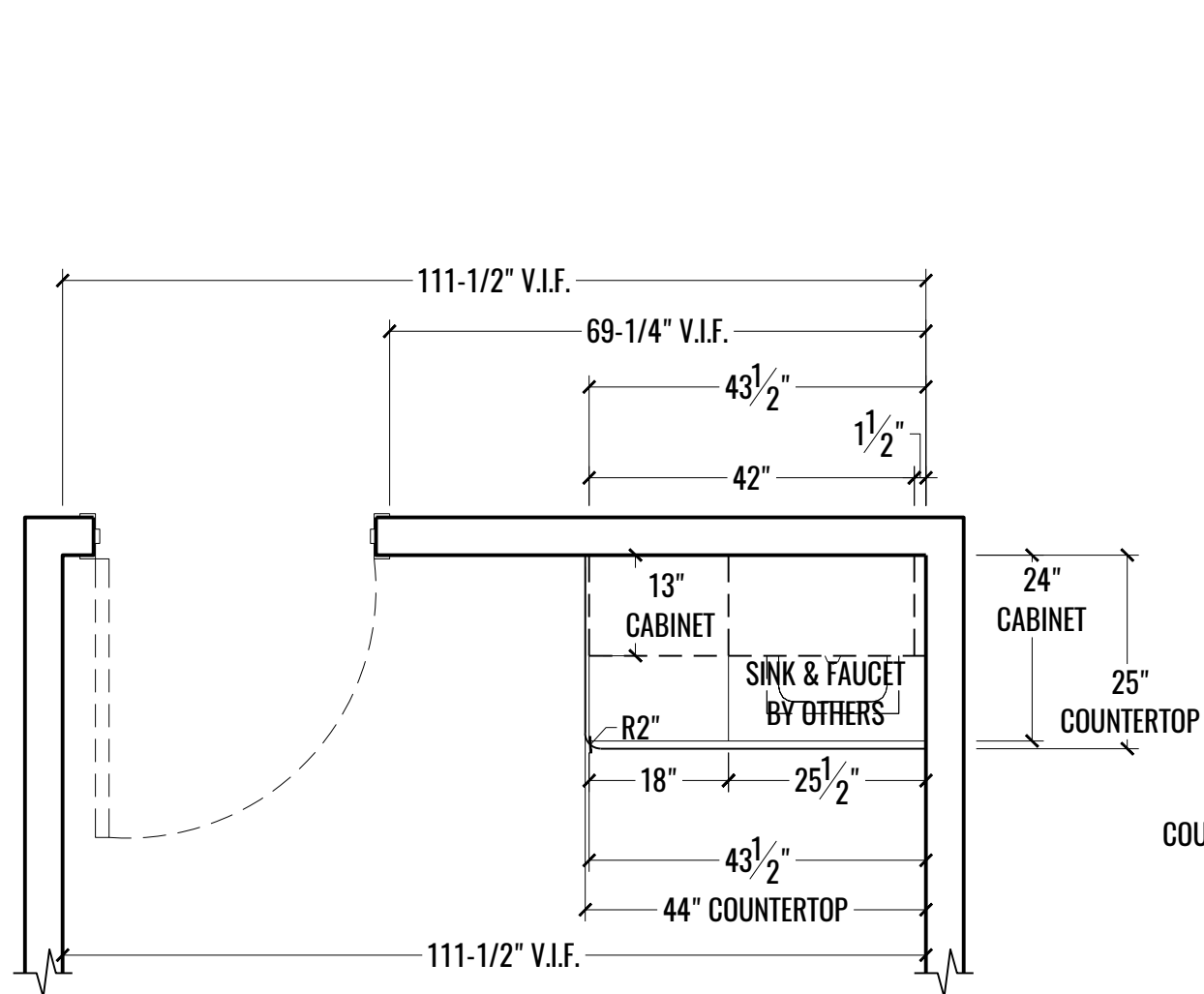
1 ELEVATION: PRIMARY CARE - RECEPTION DESK - 360 (REAR VIEW)
15 SCALE: 1/2" = 1'-0"

ALL ELECTRICAL OUTLETS, EQUIPMENT, IN-WALL MEDICAL APPLIANCES, COLUMNS, WINDOWS, ETC SHALL BE FIELD VERIFIED TO INSURE MILLWORK CLEARANCES



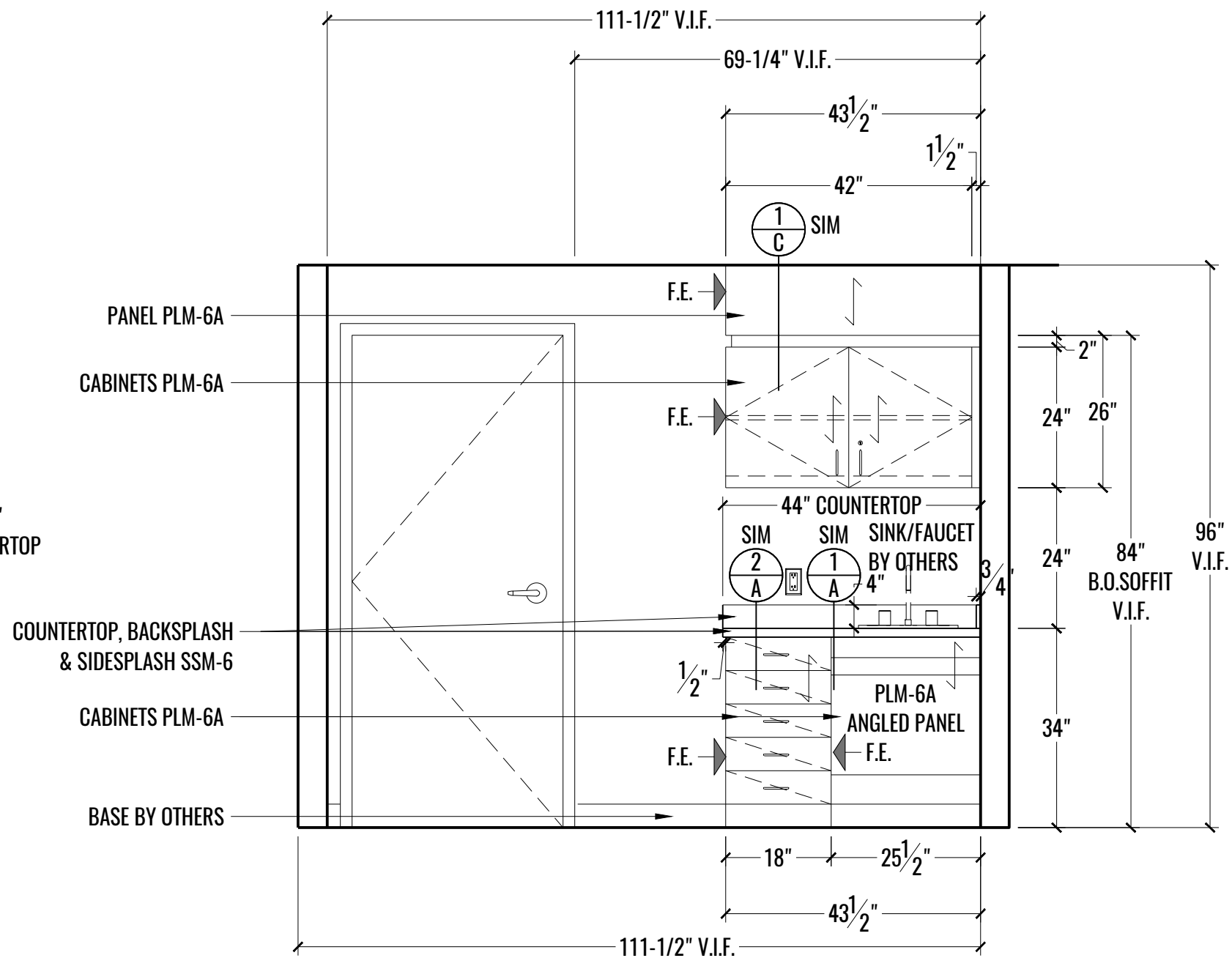
1 ELEVATION: CHECK IN/OUT - 362
16 SCALE: 1/2" = 1'-0"

ALL ELECTRICAL OUTLETS, EQUIPMENT, IN-WALL MEDICAL APPLIANCES, COLUMNS, WINDOWS, ETC SHALL BE FIELD VERIFIED TO INSURE MILLWORK CLEARANCES



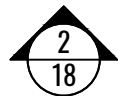
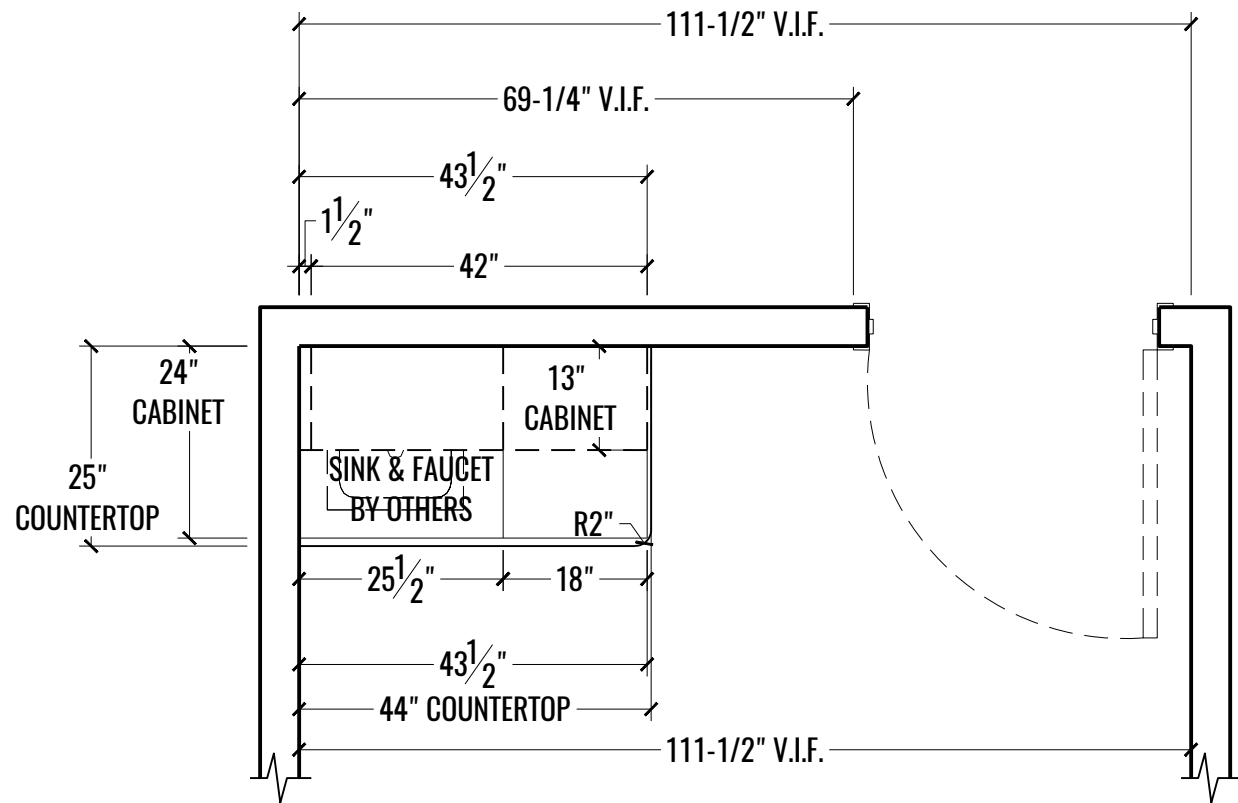
EXAM
353

1 PLAN: EXAM - 353
17 SCALE: 1/2" = 1'-0"



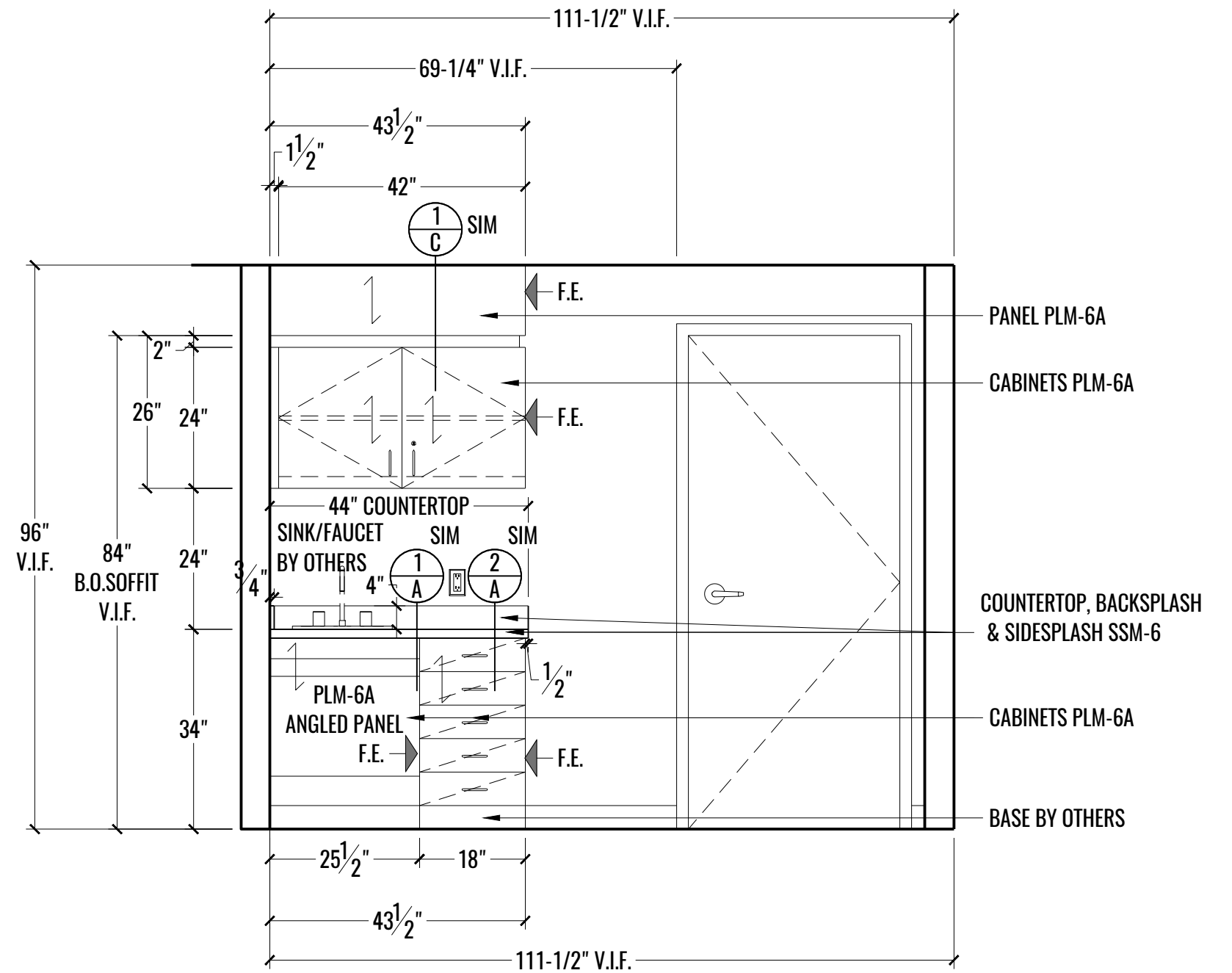
2 ELEVATION: EXAM - 353
17 SCALE: 1/2" = 1'-0"

ALL ELECTRICAL OUTLETS, EQUIPMENT, IN-WALL MEDICAL APPLIANCES, COLUMNS, WINDOWS, ETC SHALL BE FIELD VERIFIED TO INSURE MILLWORK CLEARANCES



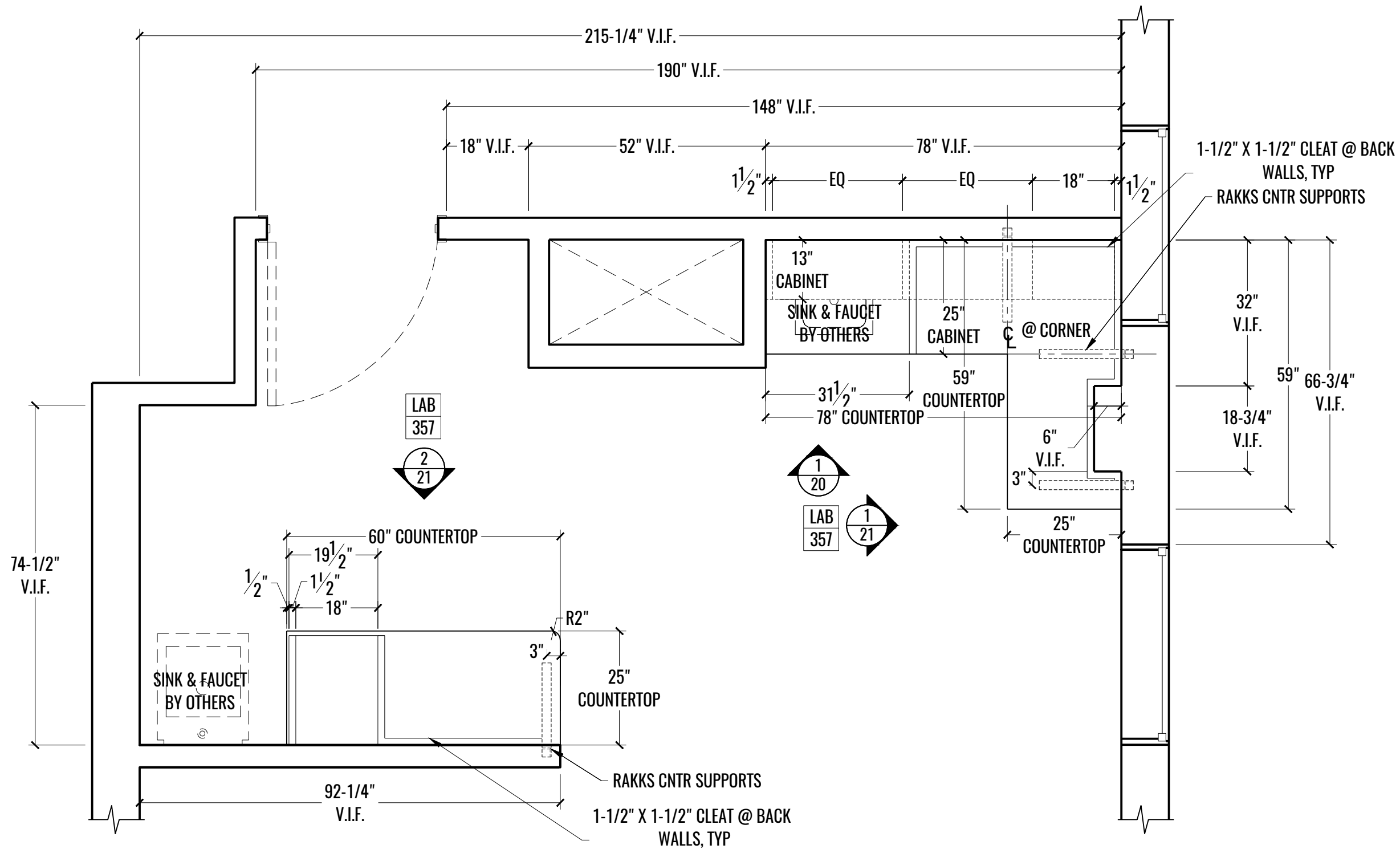
EXAM
354

1 PLAN: EXAM - 354
18 SCALE: 1/2" = 1'-0"



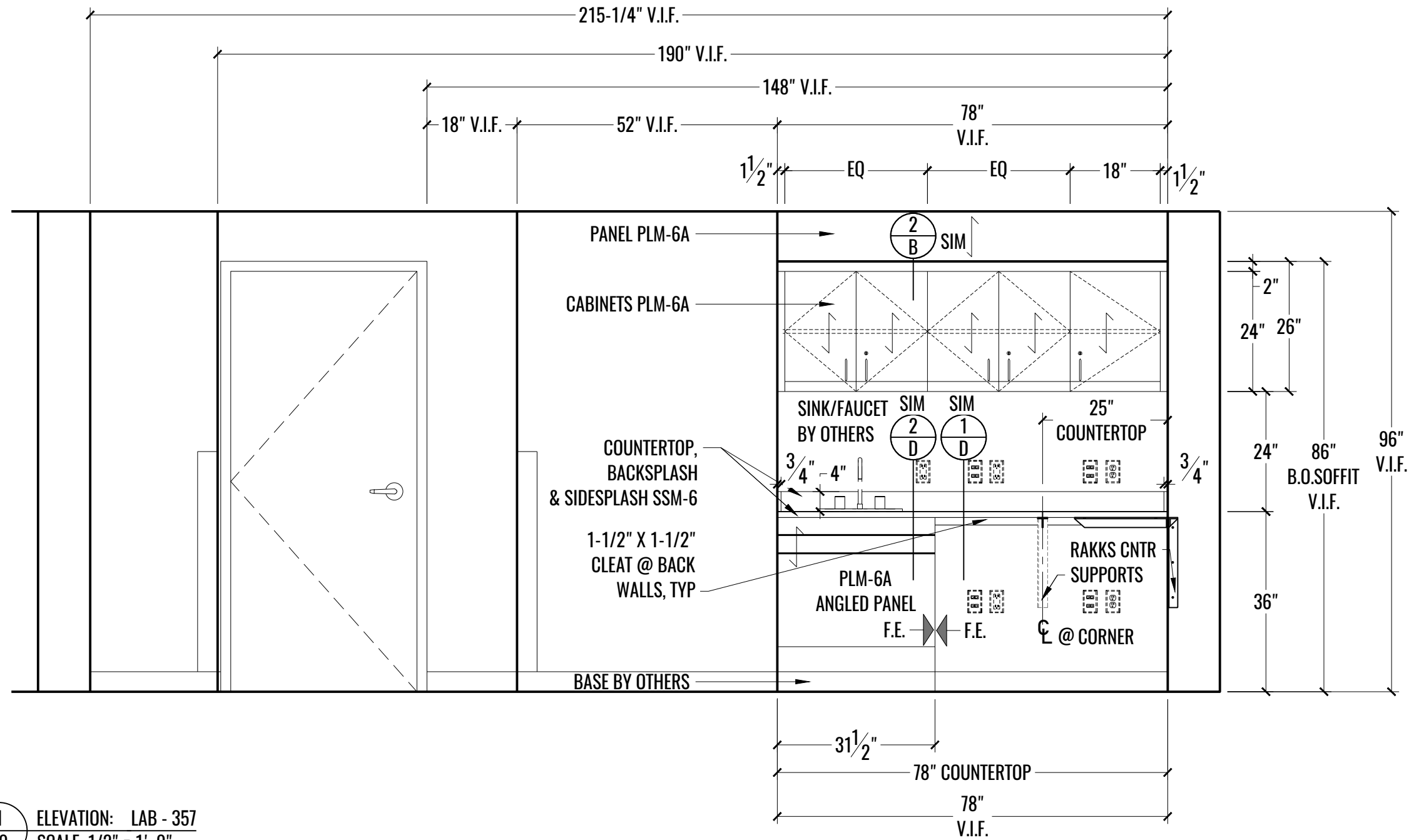
2 ELEVATION: EXAM - 354
18 SCALE: 1/2" = 1'-0"

ALL ELECTRICAL OUTLETS, EQUIPMENT, IN-WALL MEDICAL APPLIANCES, COLUMNS, WINDOWS, ETC SHALL BE FIELD VERIFIED TO INSURE MILLWORK CLEARANCES



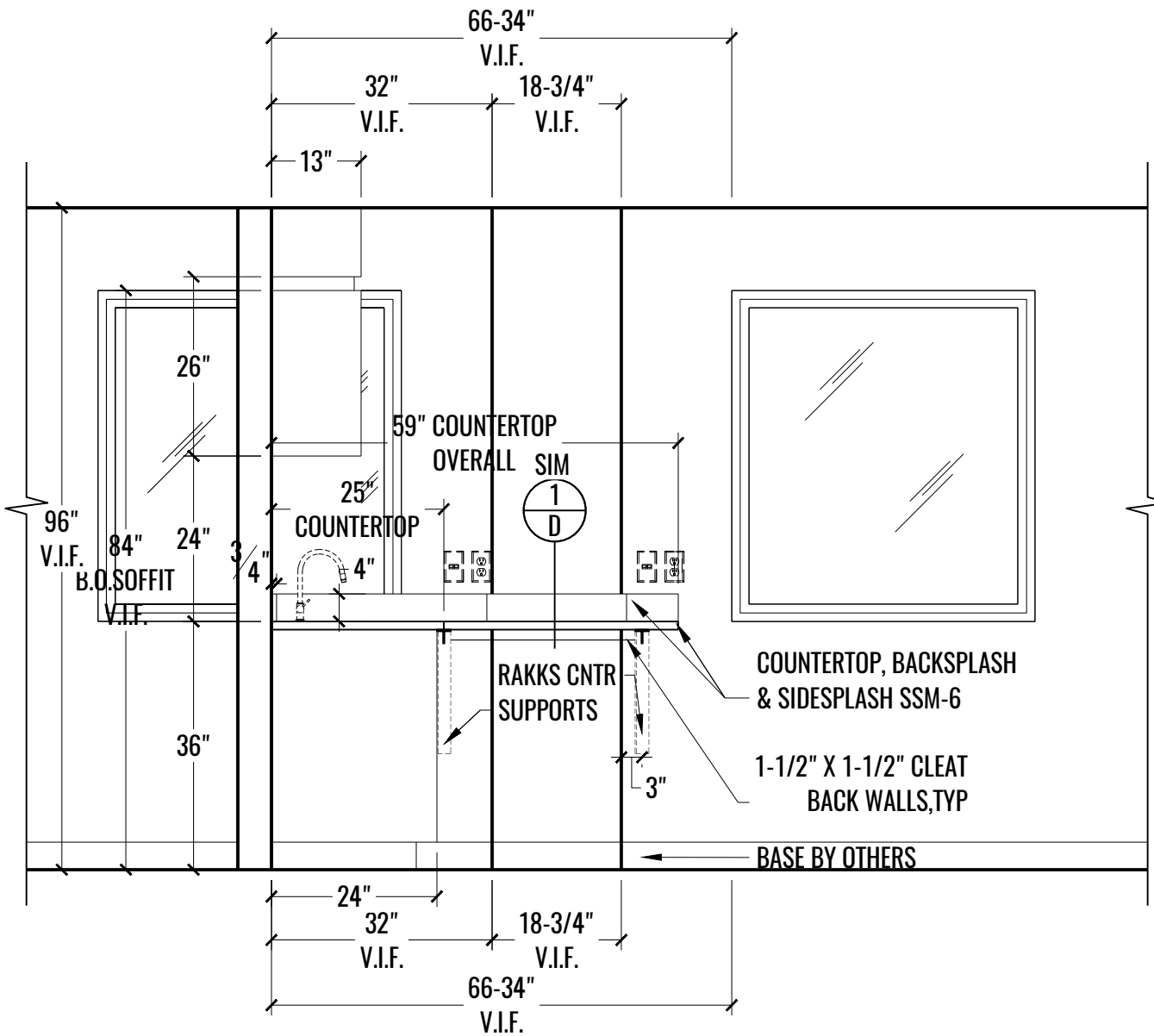
1 PLAN: LAB - 357
19 SCALE: 1/2" = 1'-0"

ALL ELECTRICAL OUTLETS, EQUIPMENT, IN-WALL MEDICAL APPLIANCES, COLUMNS, WINDOWS, ETC SHALL BE FIELD VERIFIED TO INSURE MILLWORK CLEARANCES

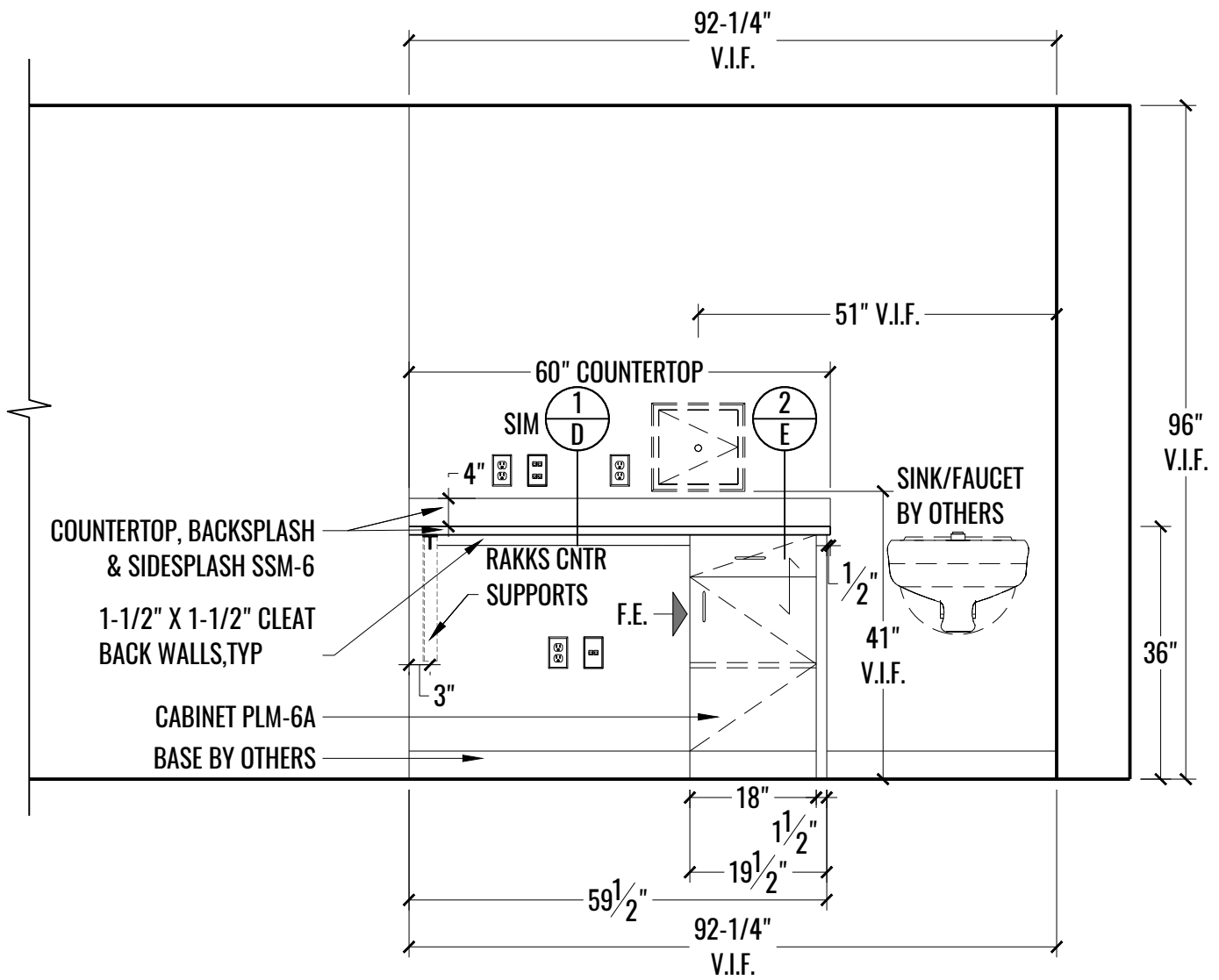


1
20 ELEVATION: LAB - 357
SCALE: 1/2" = 1'-0"

ALL ELECTRICAL OUTLETS, EQUIPMENT, IN-WALL MEDICAL APPLIANCES, COLUMNS, WINDOWS, ETC SHALL BE FIELD VERIFIED TO INSURE MILLWORK CLEARANCES

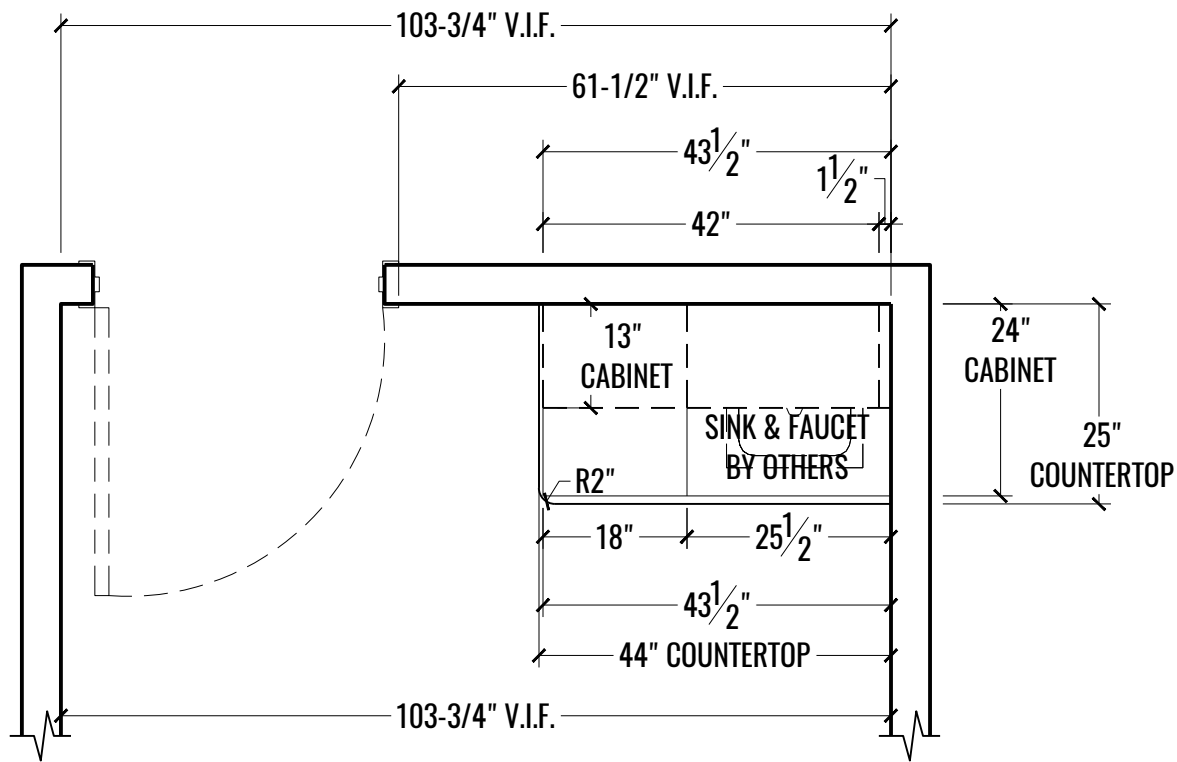


1 ELEVATION: LAB - 357
21 SCALE: 1/2" = 1'-0"



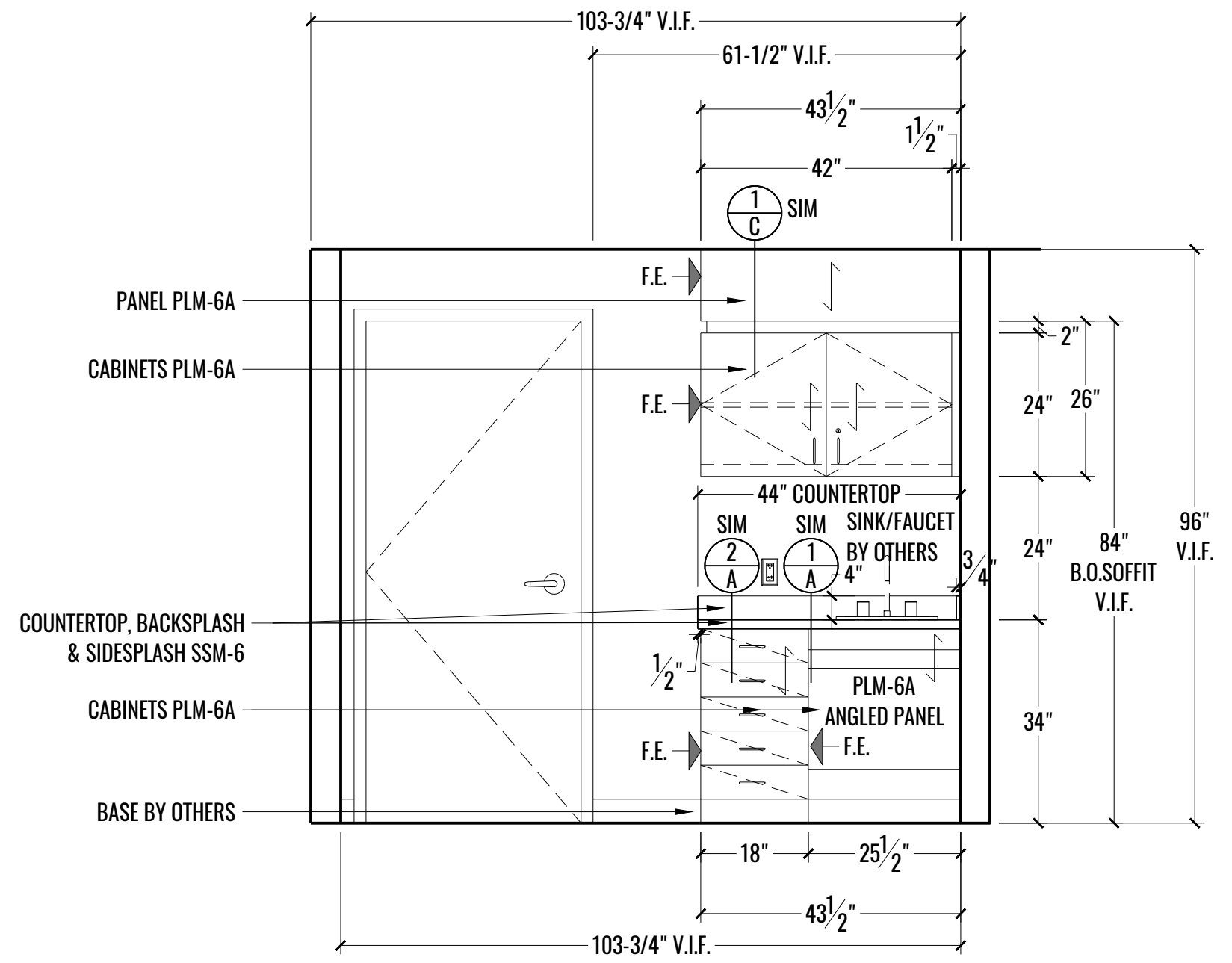
2 ELEVATION: LAB - 357
21 SCALE: 1/2" = 1'-0"

ALL ELECTRICAL OUTLETS, EQUIPMENT, IN-WALL MEDICAL APPLIANCES, COLUMNS, WINDOWS, ETC SHALL BE FIELD VERIFIED TO INSURE MILLWORK CLEARANCES



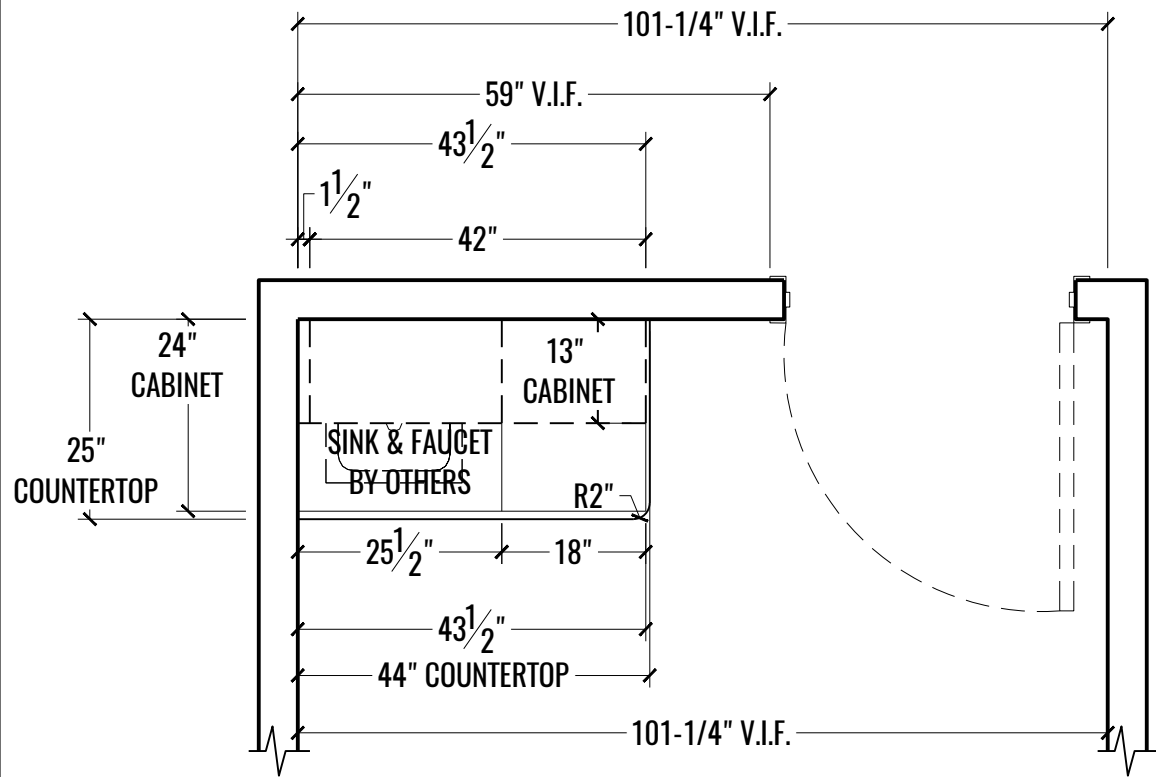
2
22
EXAM
356

1 PLAN: EXAM - 356
22 SCALE: 1/2" = 1'-0"



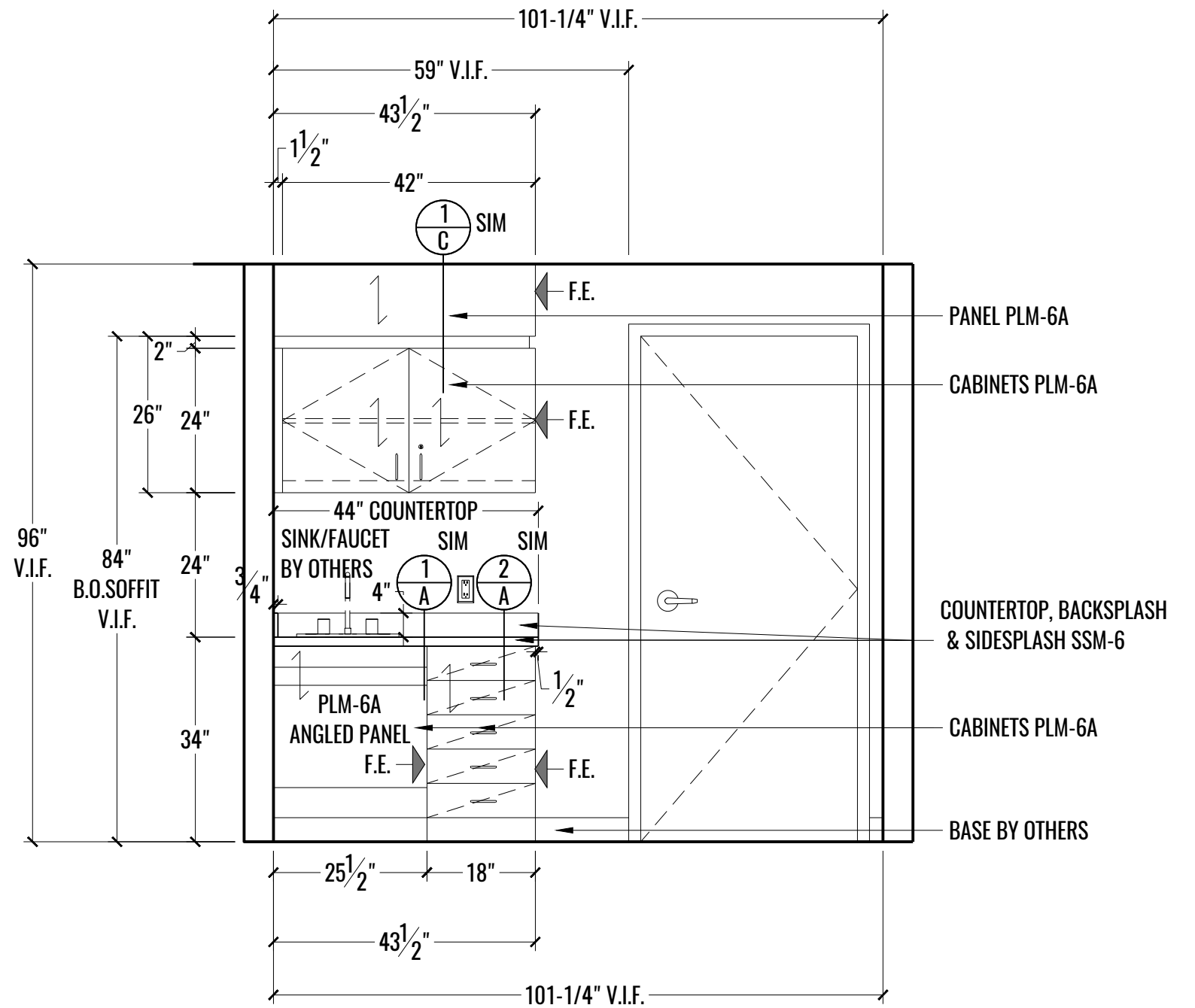
2 ELEVATION: EXAM - 356
22 SCALE: 1/2" = 1'-0"

ALL ELECTRICAL OUTLETS, EQUIPMENT, IN-WALL MEDICAL APPLIANCES, COLUMNS, WINDOWS, ETC SHALL BE FIELD VERIFIED TO INSURE MILLWORK CLEARANCES



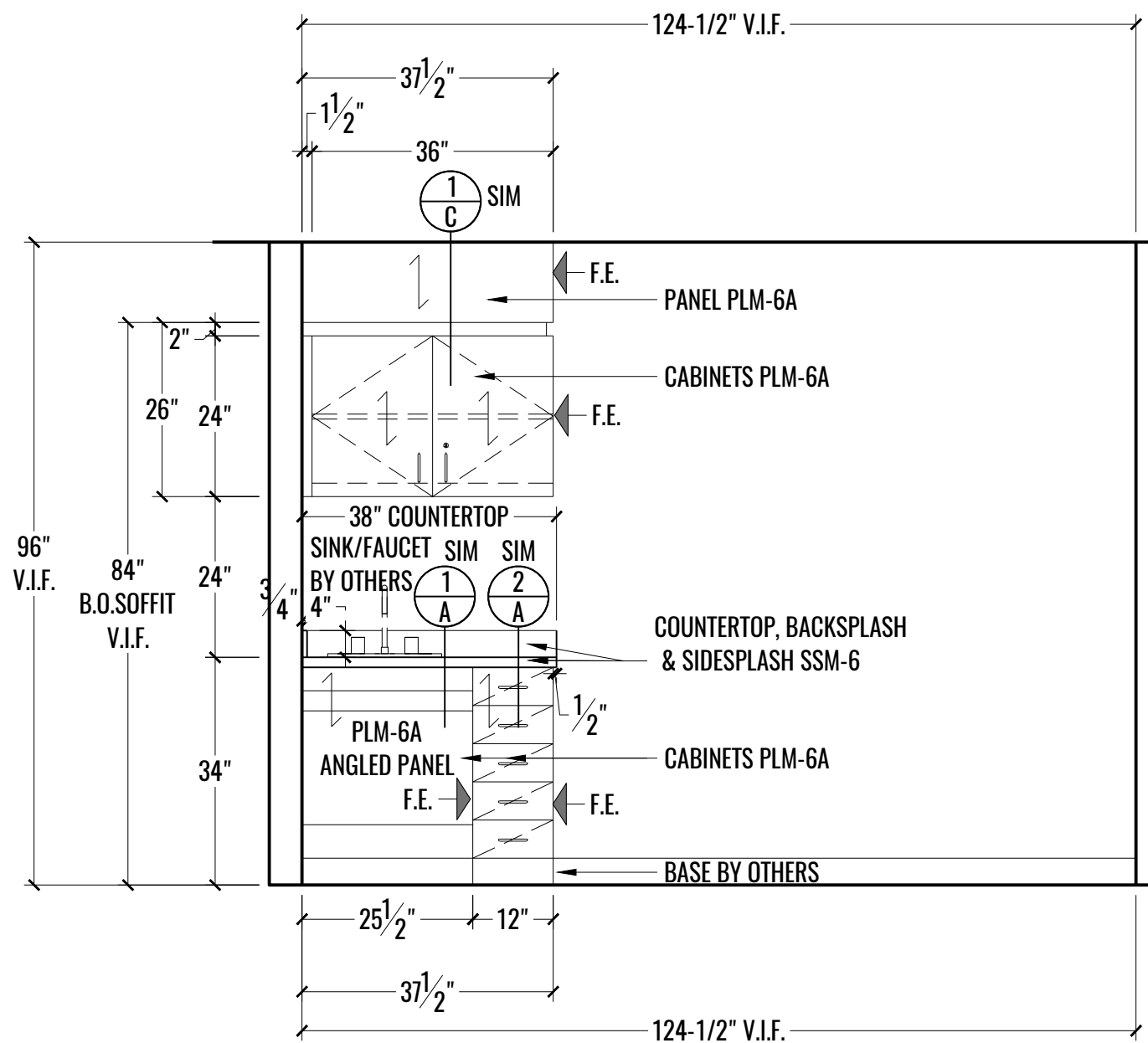
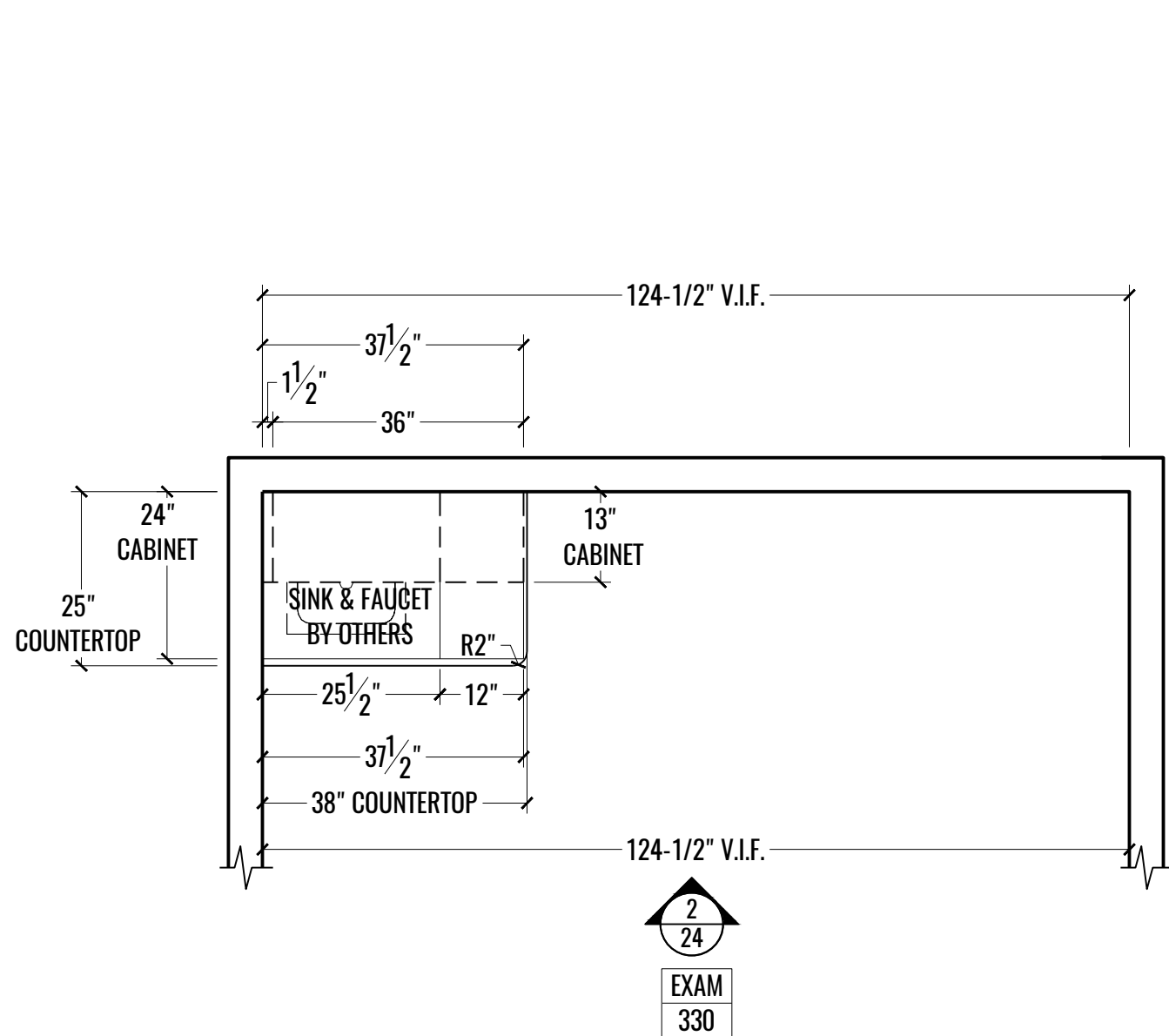
2
23
EXAM
355

1 PLAN: EXAM - 355
23 SCALE: 1/2" = 1'-0"



2 ELEVATION: EXAM - 355
23 SCALE: 1/2" = 1'-0"

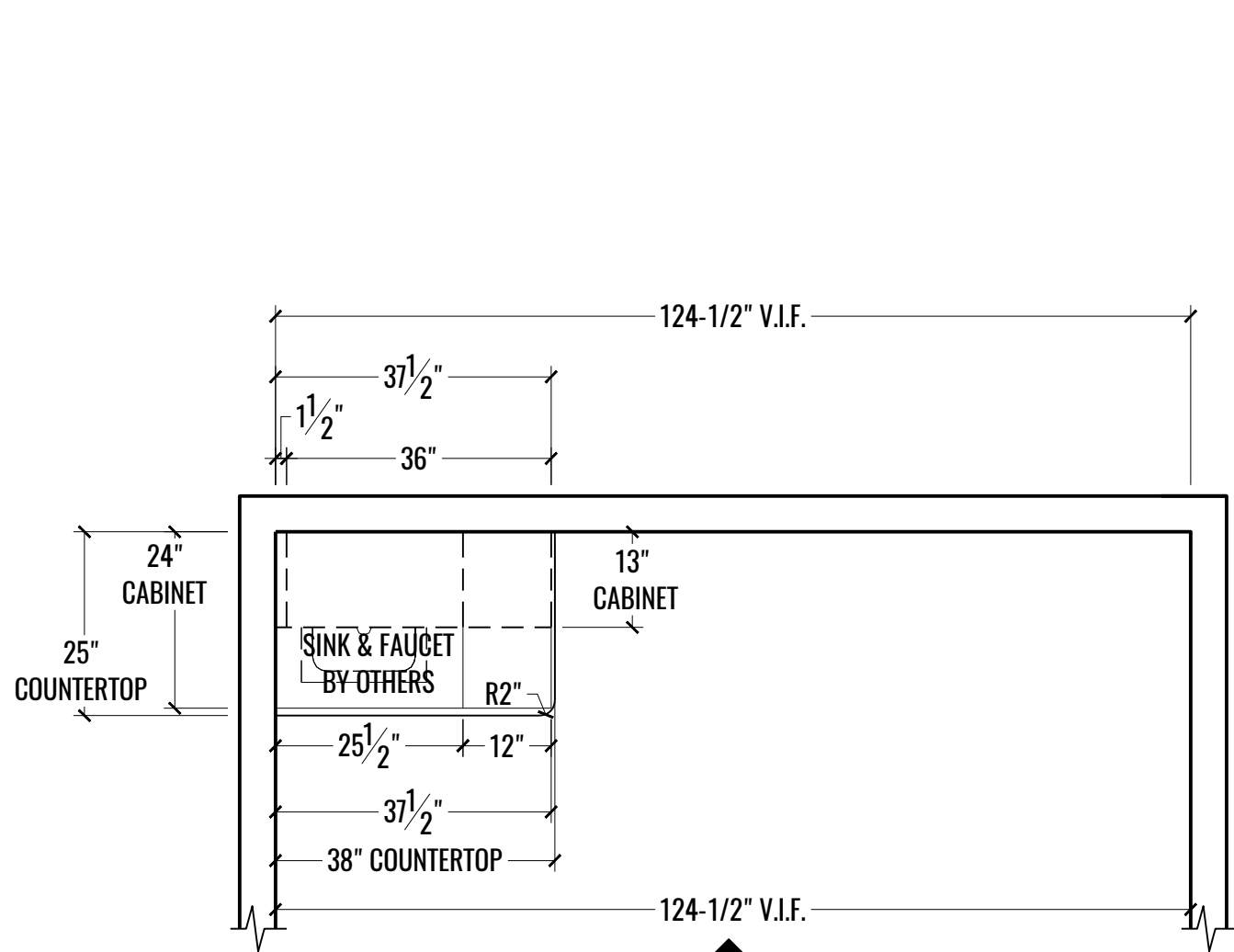
ALL ELECTRICAL OUTLETS, EQUIPMENT, IN-WALL MEDICAL APPLIANCES, COLUMNS, WINDOWS, ETC SHALL BE FIELD VERIFIED TO INSURE MILLWORK CLEARANCES



1 PLAN: EXAM - 330
24 SCALE: 1/2" = 1'-0"

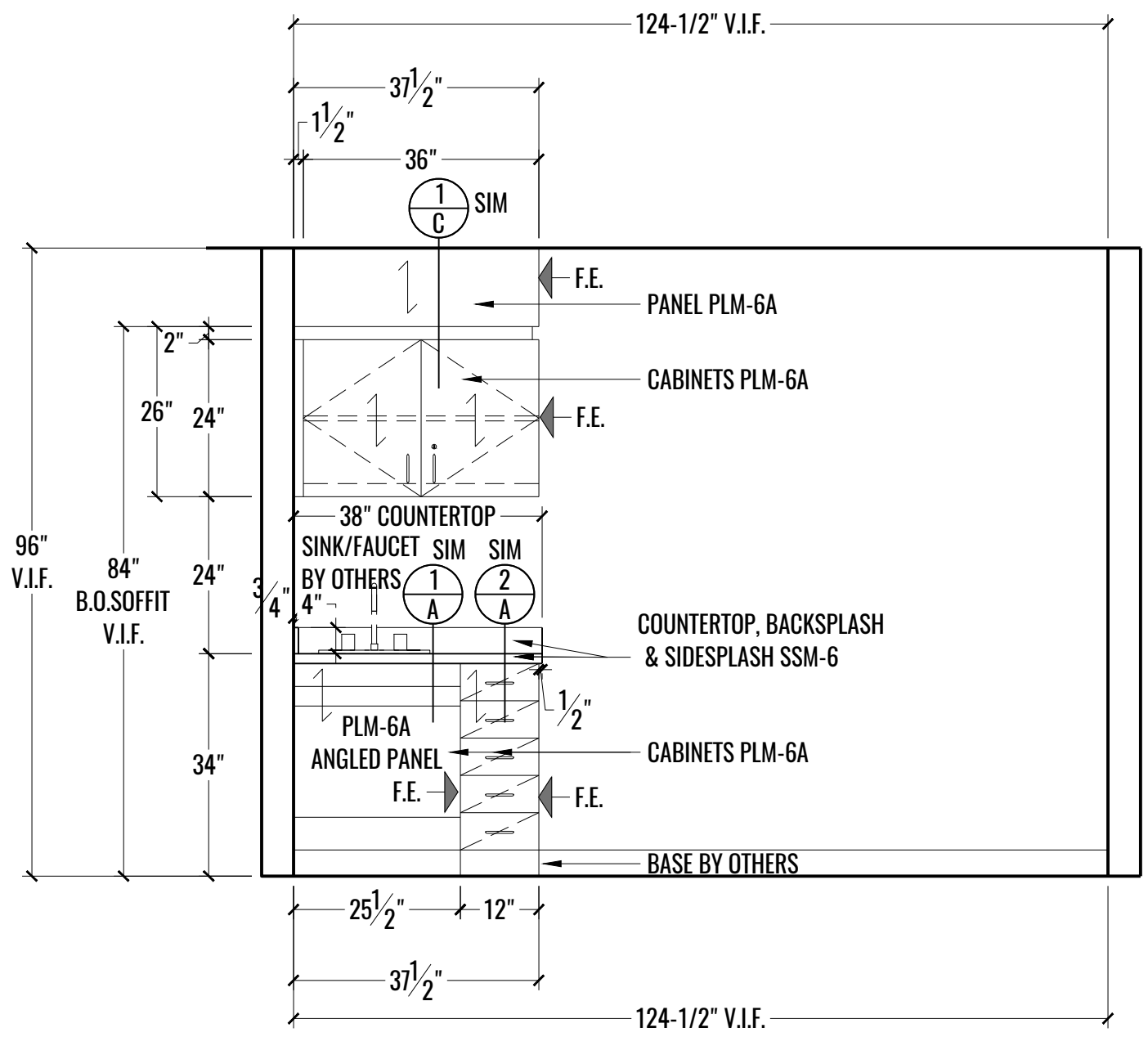
2 ELEVATION: EXAM - 330
24 SCALE: 1/2" = 1'-0"

ALL ELECTRICAL OUTLETS, EQUIPMENT, IN-WALL MEDICAL APPLIANCES, COLUMNS, WINDOWS, ETC SHALL BE FIELD VERIFIED TO INSURE MILLWORK CLEARANCES



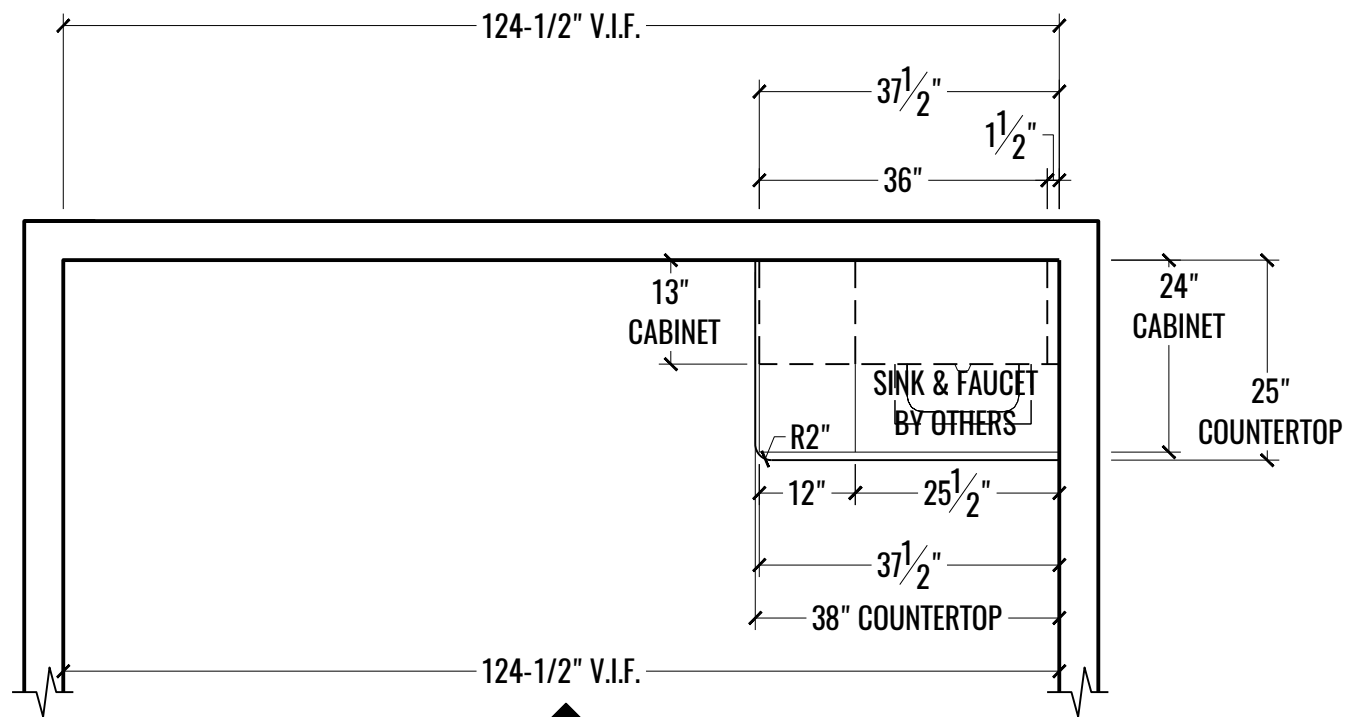
2
25
EXAM
331

1 PLAN: EXAM - 331
25 SCALE: 1/2" = 1'-0"



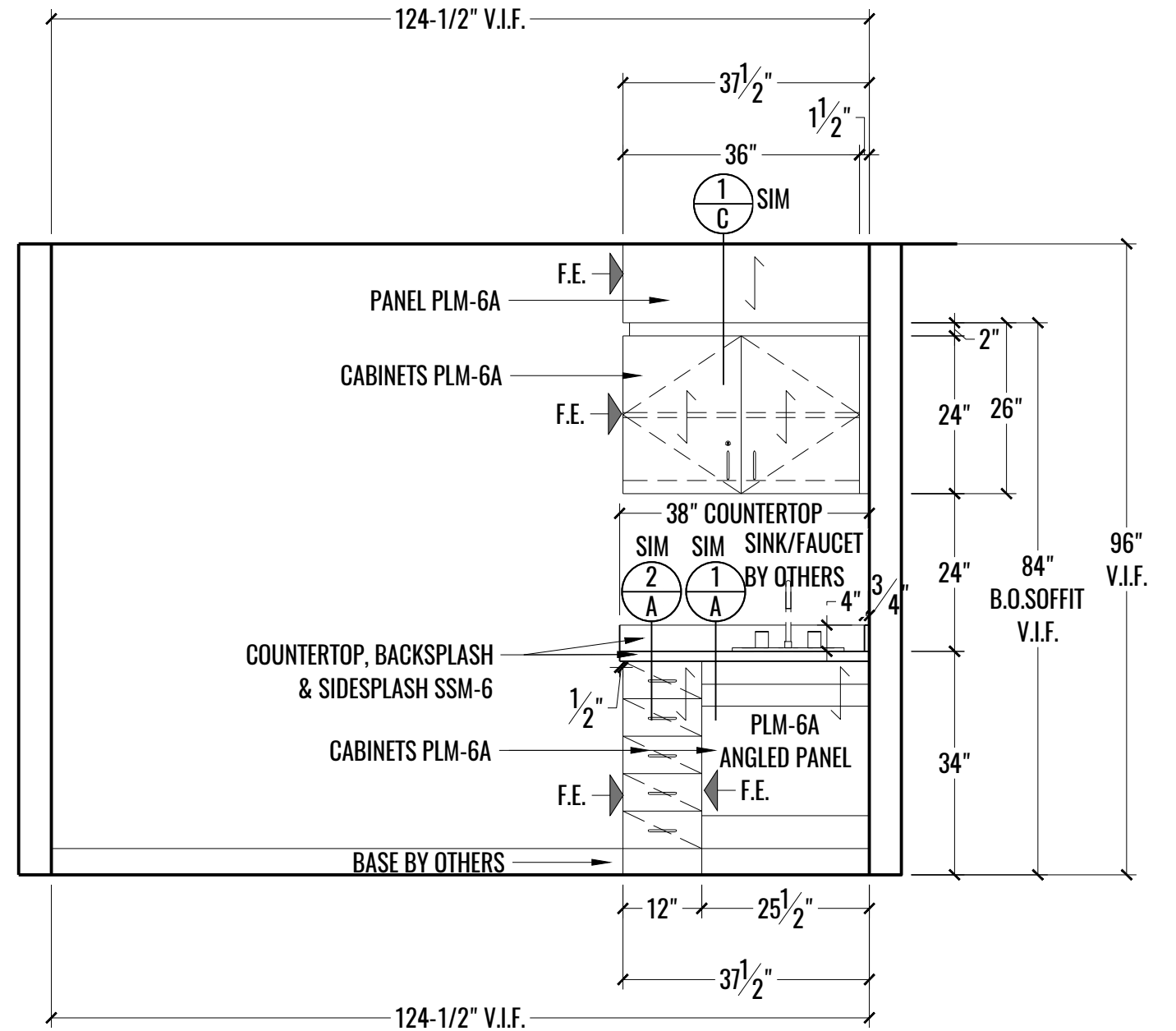
2 ELEVATION: EXAM - 331
25 SCALE: 1/2" = 1'-0"

ALL ELECTRICAL OUTLETS, EQUIPMENT, IN-WALL MEDICAL APPLIANCES, COLUMNS, WINDOWS, ETC SHALL BE FIELD VERIFIED TO INSURE MILLWORK CLEARANCES

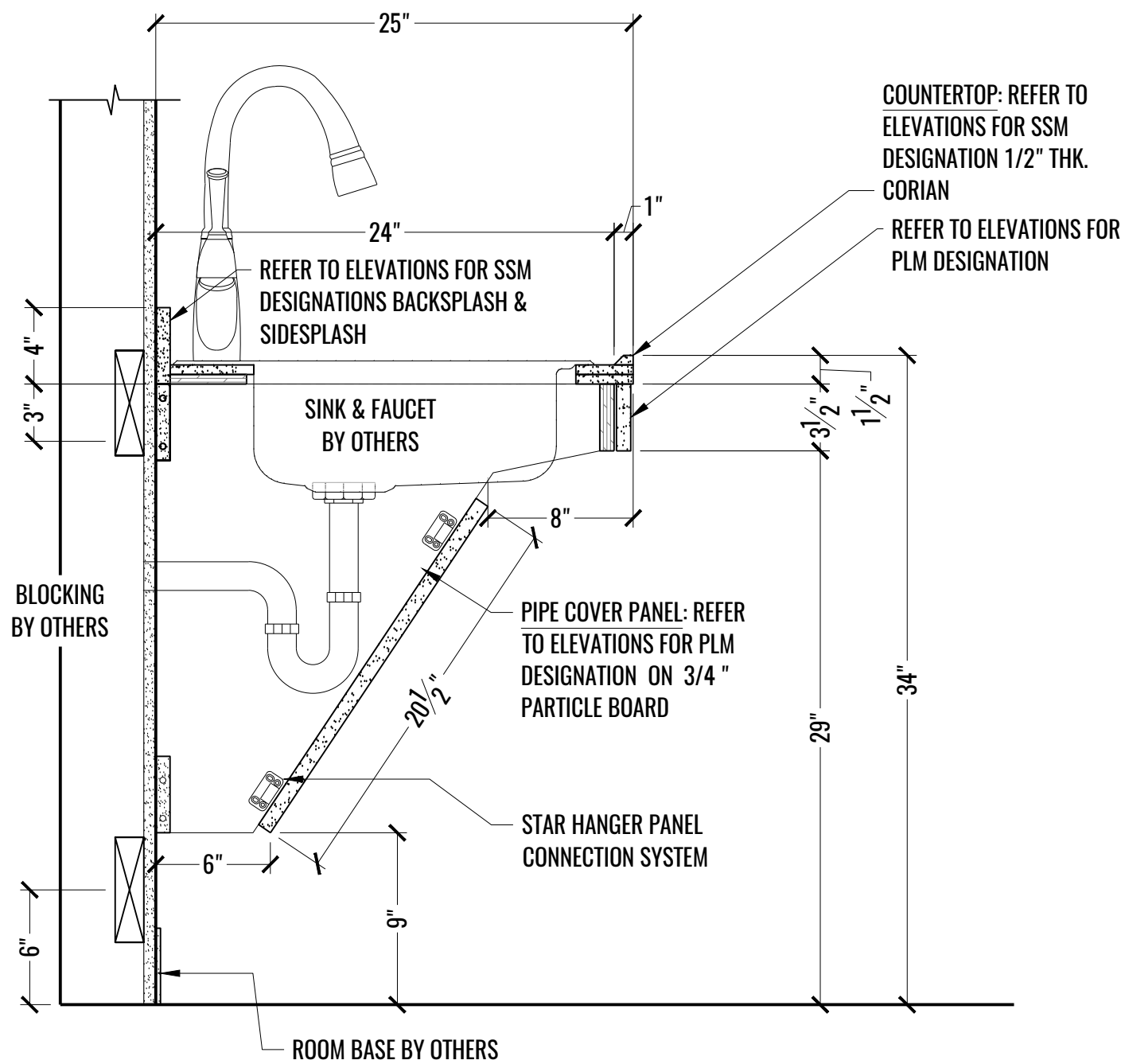


EXAM
336

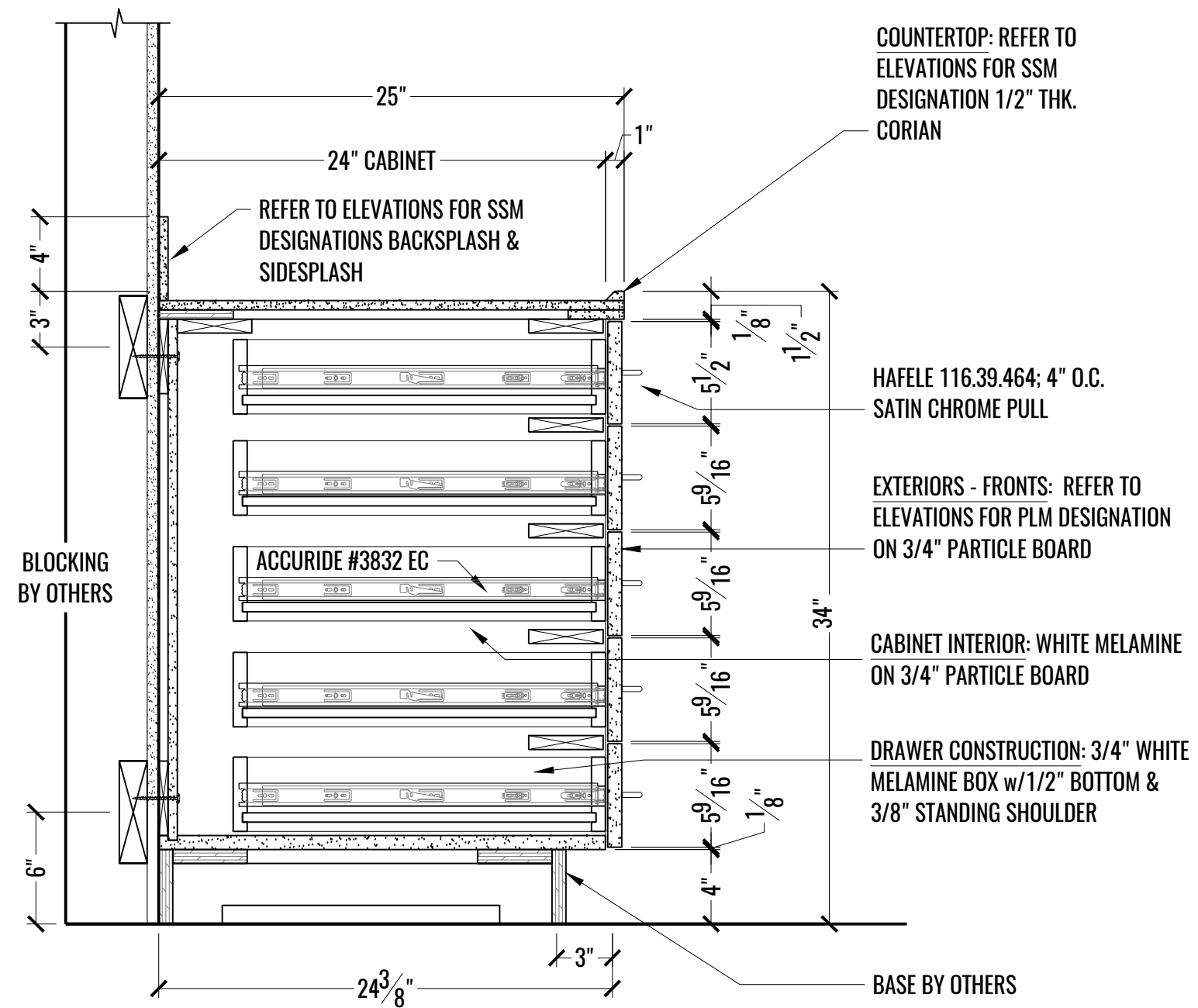
1 PLAN: EXAM - 336
26 SCALE: 1/2" = 1'-0"



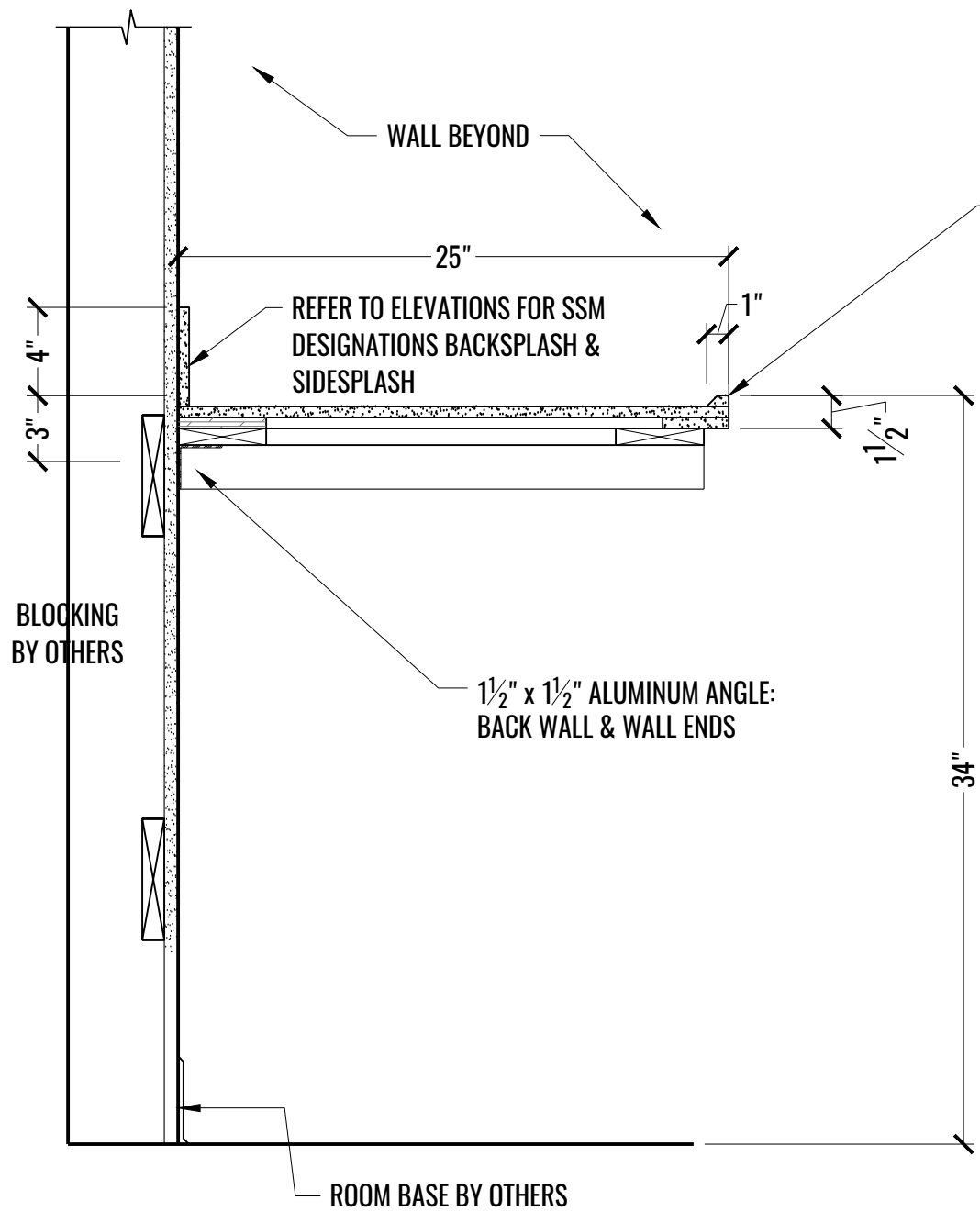
2 ELEVATION: EXAM - 336
26 SCALE: 1/2" = 1'-0"



1 SECTION: SINK @ EXAM ROOMS
A SCALE: 1-1/2" = 1'-0"



2 SECTION: BASE CABINET W/DRAWERS @ EXAM ROOMS
A SCALE: 1-1/2" = 1'-0"



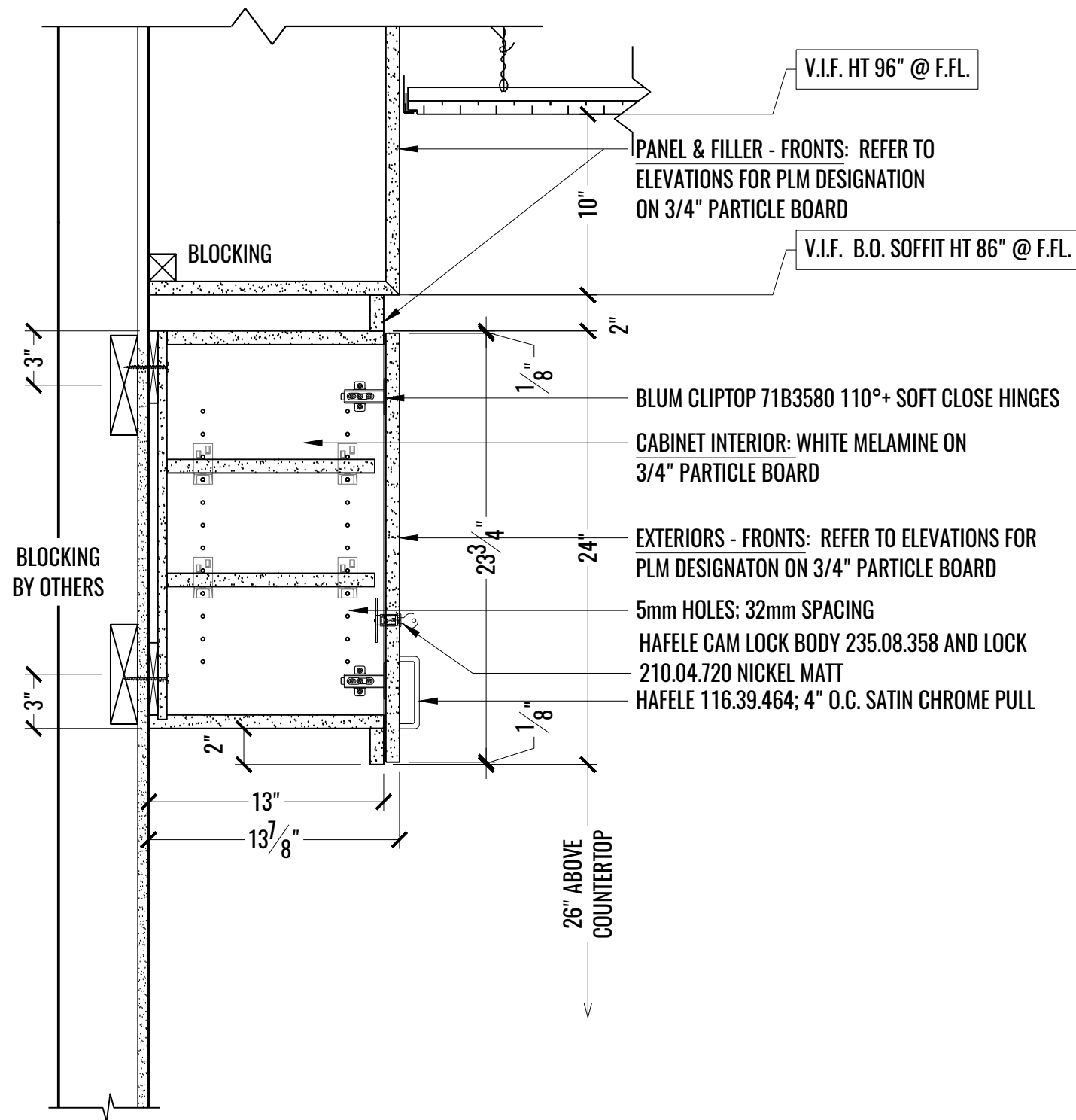
COUNTERTOP: REFER TO ELEVATIONS FOR SSM DESIGNATION 1/2" THK. CORIAN

REFER TO ELEVATIONS FOR SSM DESIGNATIONS BACKSPASH & SIDESPLASH

1 1/2" x 1 1/2" ALUMINUM ANGLE: BACK WALL & WALL ENDS

ROOM BASE BY OTHERS

1 SECTION: COUNTERTOP @ EXAM ROOMS
B SCALE: 1-1/2" = 1'-0"



V.I.F. HT 96" @ F.F.L.

PANEL & FILLER - FRONTS: REFER TO ELEVATIONS FOR PLM DESIGNATION ON 3/4" PARTICLE BOARD

V.I.F. B.O. SOFFIT HT 86" @ F.F.L.

BLOCKING

BLUM CLIPTOP 71B3580 110°+ SOFT CLOSE HINGES

CABINET INTERIOR: WHITE MELAMINE ON 3/4" PARTICLE BOARD

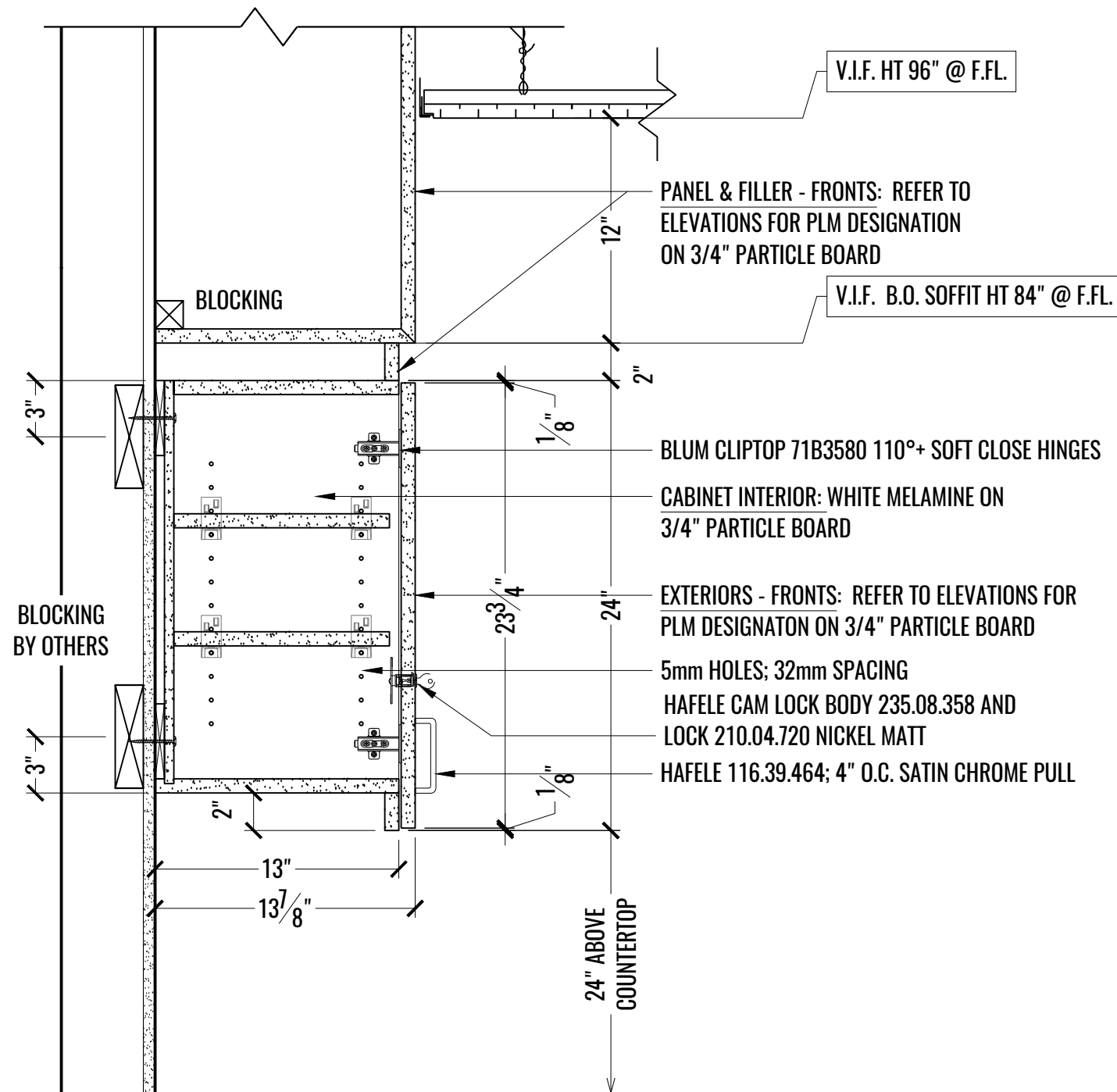
EXTERIORS - FRONTS: REFER TO ELEVATIONS FOR PLM DESIGNATION ON 3/4" PARTICLE BOARD

5mm HOLES; 32mm SPACING
HAFELE CAM LOCK BODY 235.08.358 AND LOCK 210.04.720 NICKEL MATT
HAFELE 116.39.464; 4" O.C. SATIN CHROME PULL

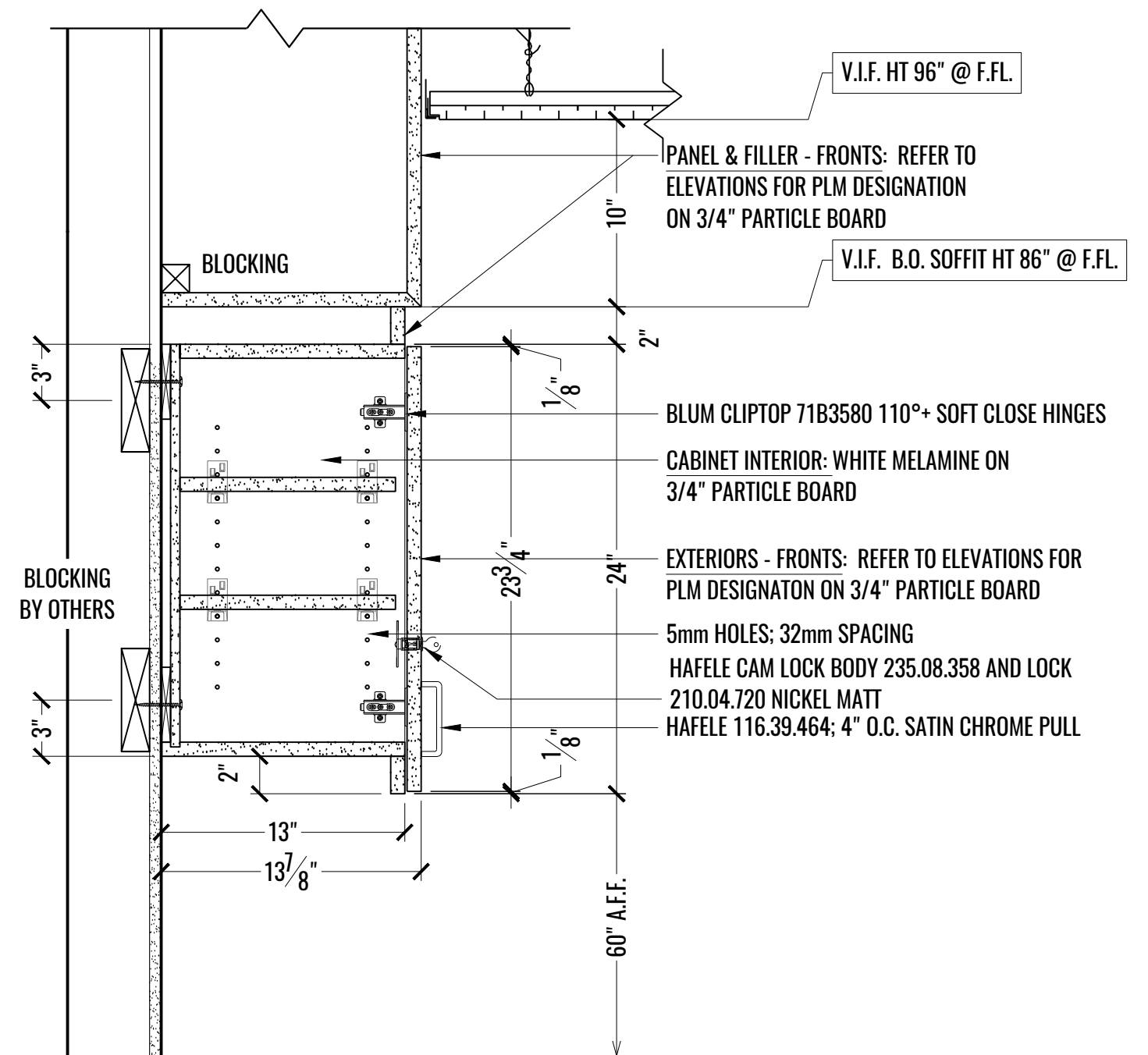
BLOCKING BY OTHERS

26" ABOVE COUNTERTOP

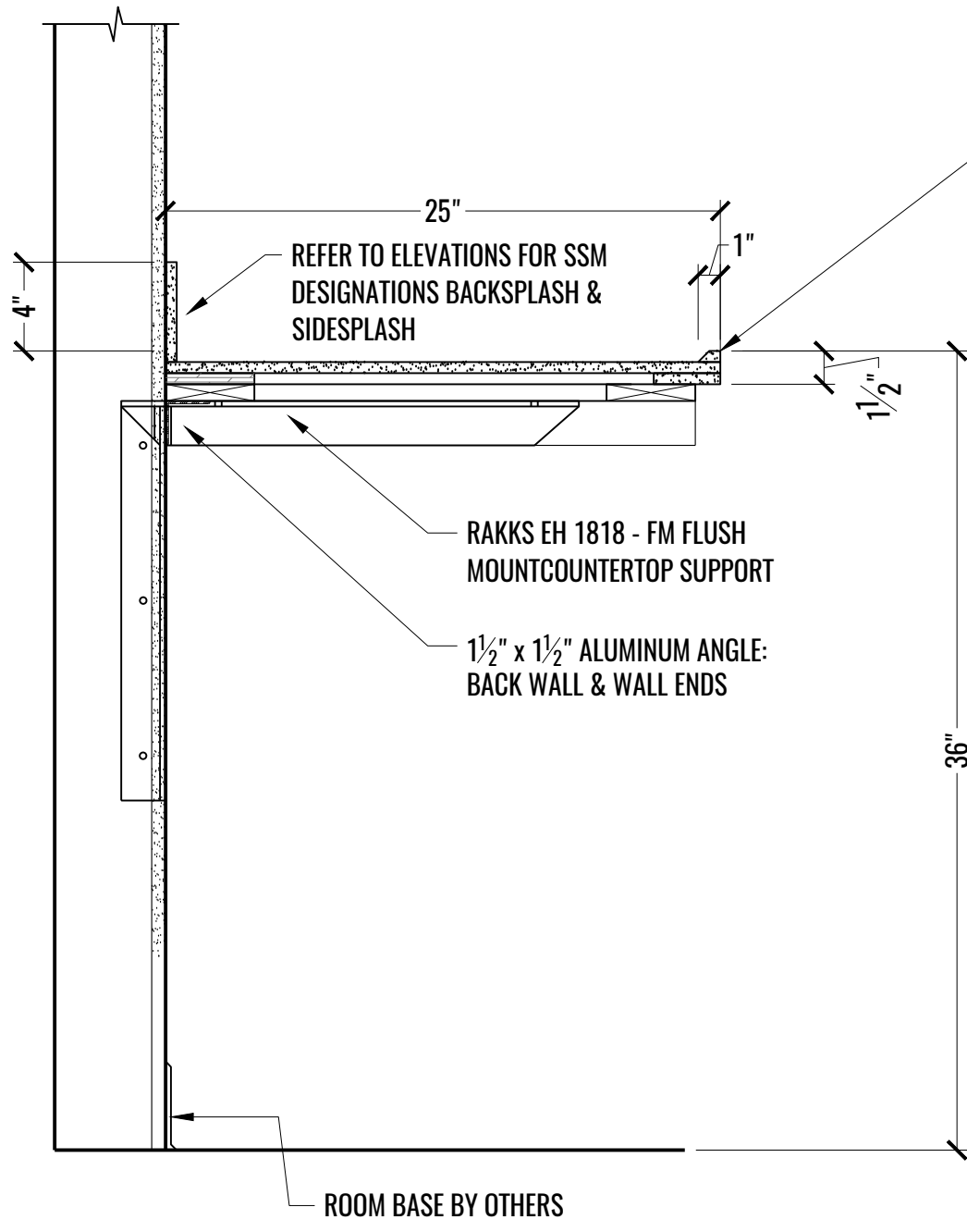
2 SECTION: UPPER CABINET @ 26" ABOVE COUNTERTOP - POINT OF CARE TESTING - 107
B SCALE: 1-1/2" = 1'-0"



1 SECTION: UPPR CABINET @ 24" ABOVE COUNTERTOP
C SCALE: 1-1/2" = 1'-0"

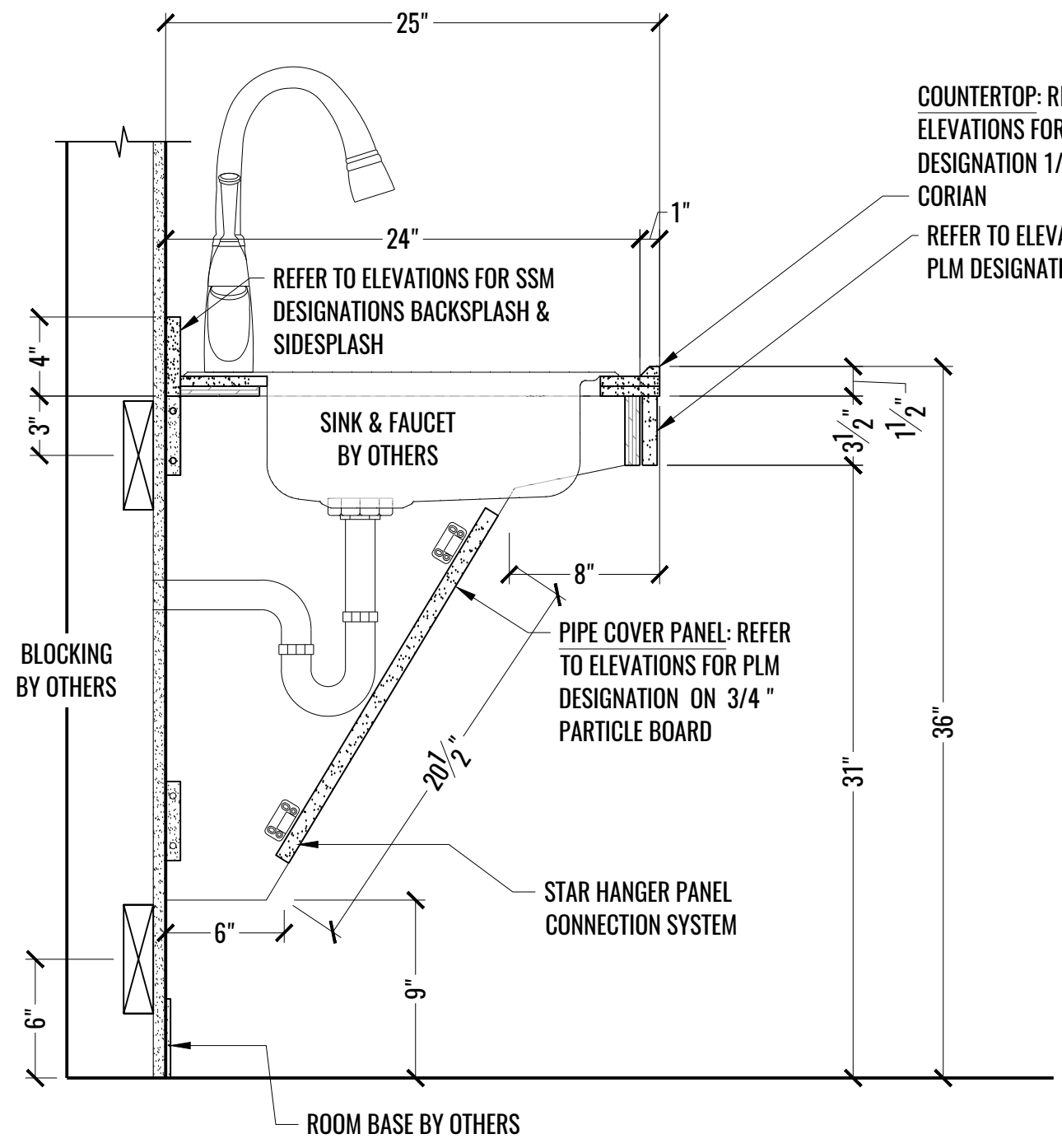


2 SECTION: UPPER CABINET @ 60" A.F.F. - PHARMACY CONSULT 1/2 - 137 & 138
C SCALE: 1-1/2" = 1'-0"



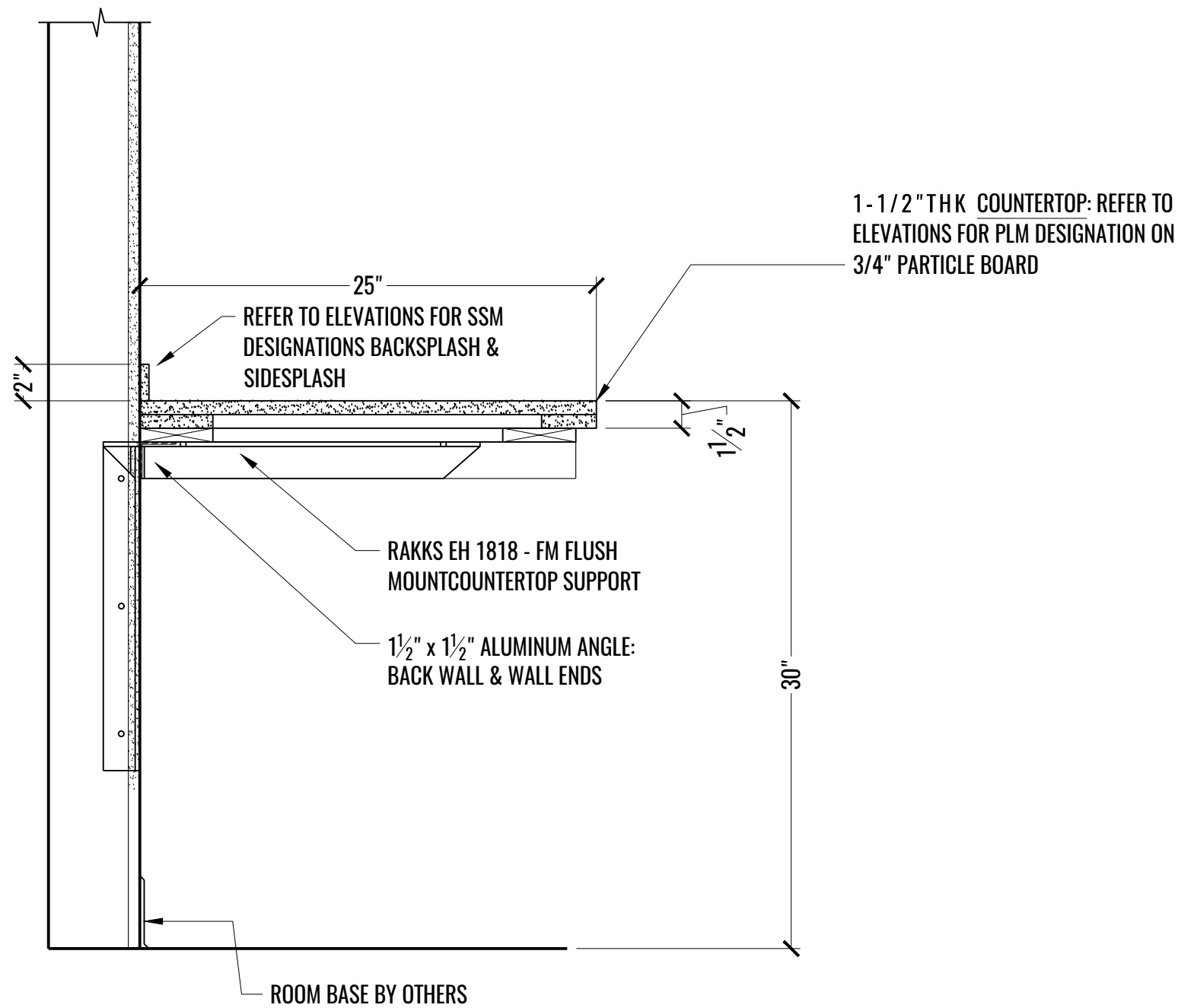
COUNTERTOP: REFER TO ELEVATIONS FOR SSM DESIGNATION 1/2" THK. CORIAN

1 SECTION: COUNTERTOP @ 36" A.F.F. - PHARMACY - 139 & LAB - 357
D SCALE: 1-1/2" = 1'-0"

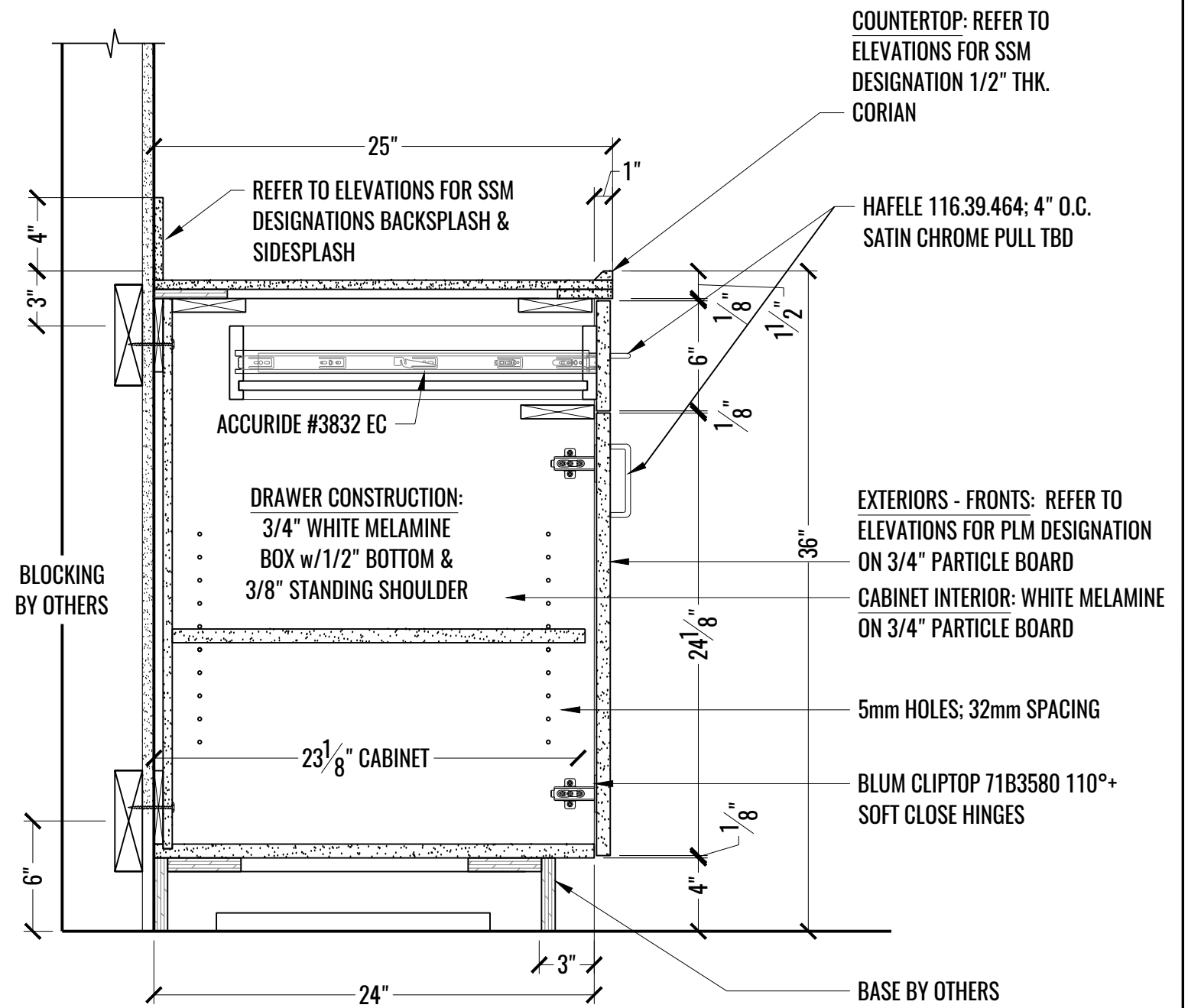


COUNTERTOP: REFER TO ELEVATIONS FOR SSM DESIGNATION 1/2" THK. CORIAN
REFER TO ELEVATIONS FOR PLM DESIGNATION

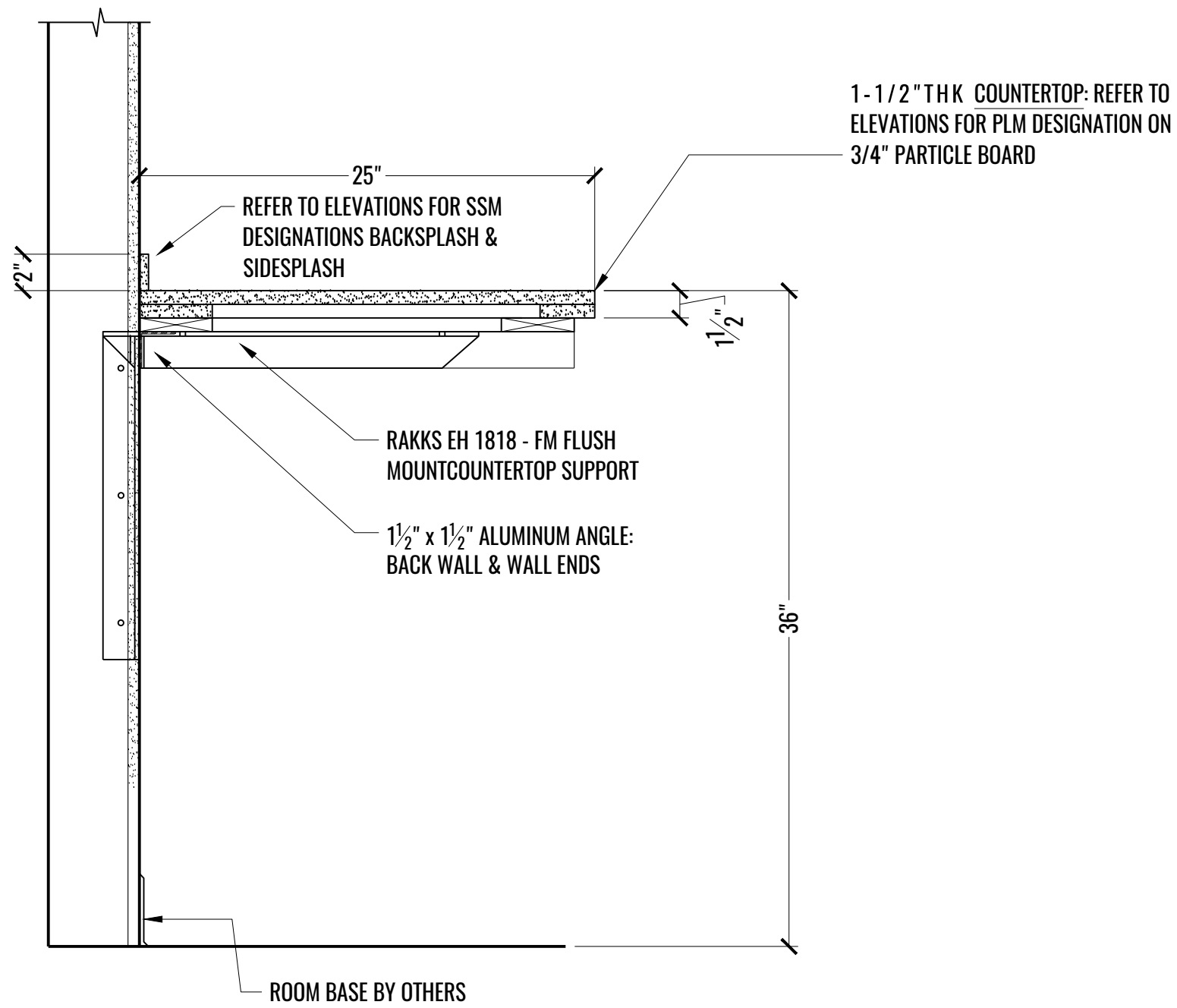
2 SECTION: SINK @ PHARMACY - 139 & LAB - 357
D SCALE: 1-1/2" = 1'-0"



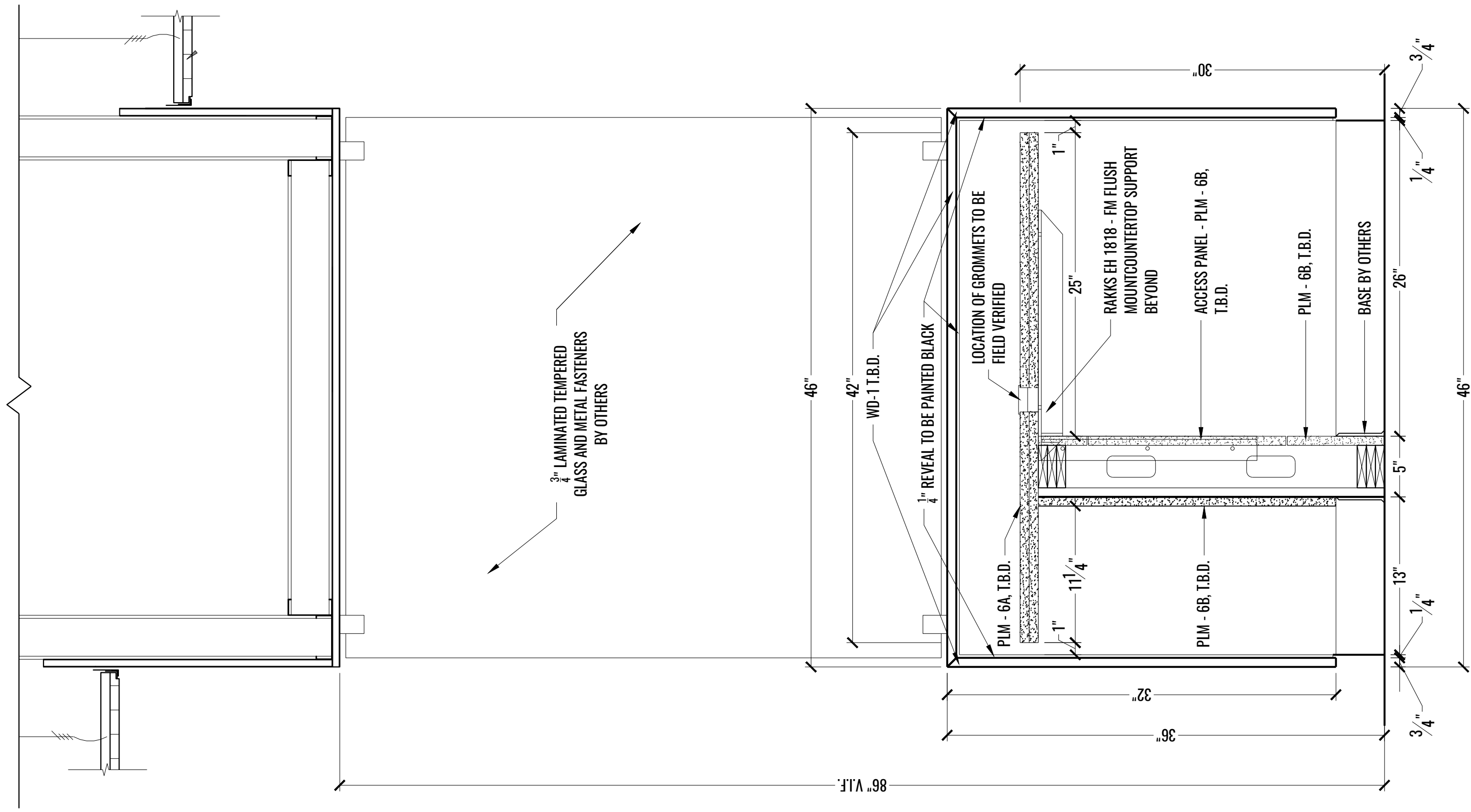
1 SECTION: COUNTERTOP @ 30" A.F.F. - CO LOC ROOM - 307
E SCALE: 1-1/2" = 1'-0"



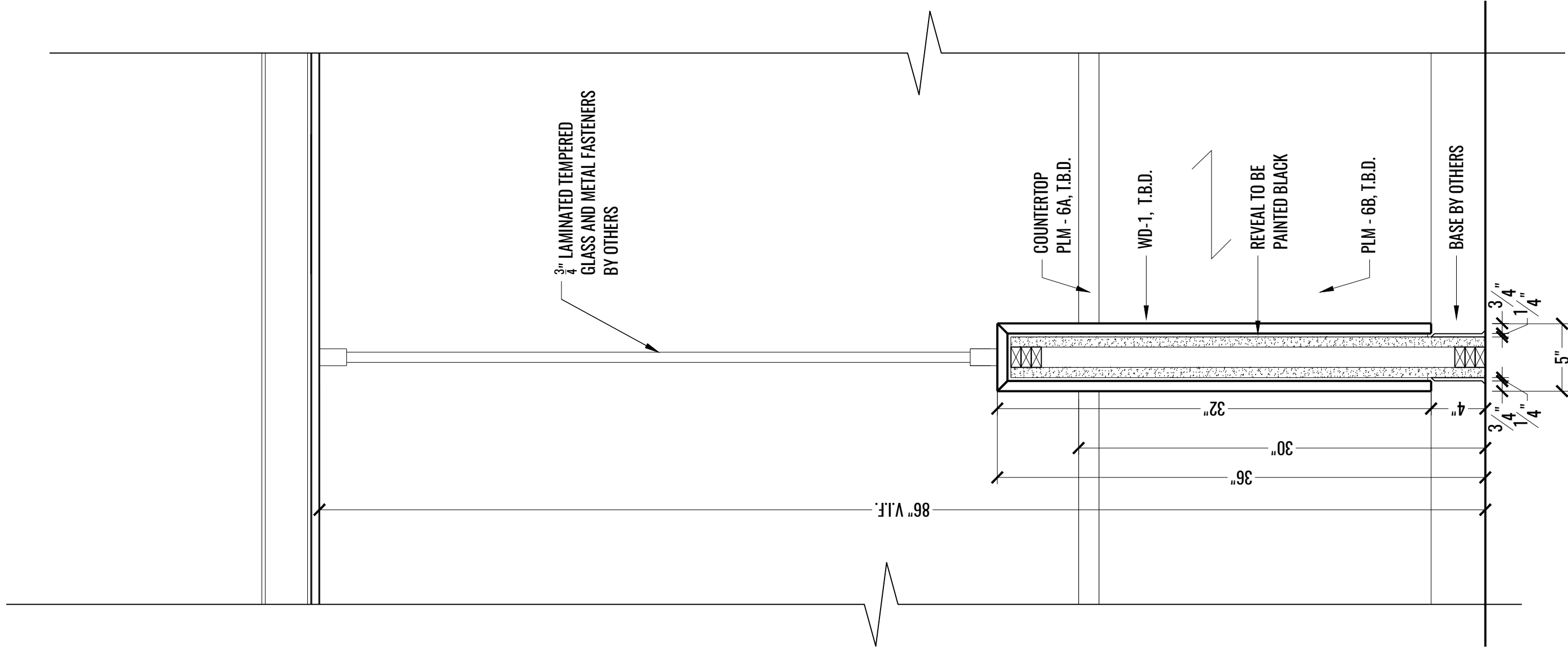
2 SECTION: BASE CABINET W/DRAWER @ LAB - 357
E SCALE: 1-1/2" = 1'-0"



1 SECTION: COUNTERTOP @ 36" A.F.F. - CHECKIN/OUT - 362
F SCALE: 1-1/2" = 1'-0"



1 SECTION: RECEPTION DESK @ PRIMARY CARE - 360
 G SCALE: 1-1/2" = 1'-0"



1 SECTION: RECEPTION DESK @ WOOD POST - PRIMARY CARE - 360
 H SCALE: 1-1/2" = 1'-0"